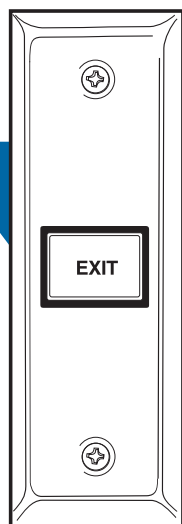


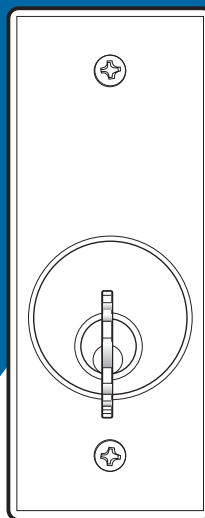
Push Buttons & Key Switches



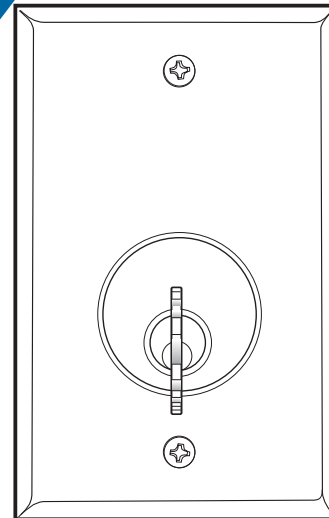
PB-NS-1
Narrow
Push Button



PB-SG-1
Single Gang
Push Button



KS-NS
Narrow
Key Switch



KS-SG
Single Gang
Key Switch

PB-NS-1 Push Button

Designed with stainless steel, narrow jamb faceplates. The 3/4" x 1/2" illuminated translucent button is easy to push and is supplied as a momentary Form C output, rated at 10 amps @ 125 VAC. The supplied bulb will work on 12 or 24 volts using supplied resistor.

PB-SG-1 Push Button

Adams Rite PB-SG-1 illuminated Exit Push Buttons are designed to mount into a deep style single gang electrical box. The large 2" square translucent button is easy to push. One momentary microswitch is provided with Form C output, rated at 10 amps @ 125 VAC. The standard model is supplied with a 12 to 24V AC or DC light bulb, which is accessed through the front or rear. 24V models are supplied with an inline resistor, which must not be removed.

KS Series Key Switches

Adams Rite Key Switches are designed to work with most 1", 1-1/8" or 1-3/4" mortise cylinders, with different types of cams. One or two switches can be installed, either momentary and/or maintained (alternating on/off).

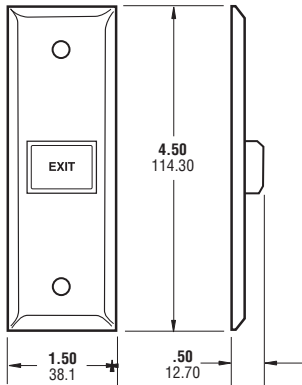




Push Buttons & Key Switches

DIMENSIONS

INCHES
MILLIMETERS

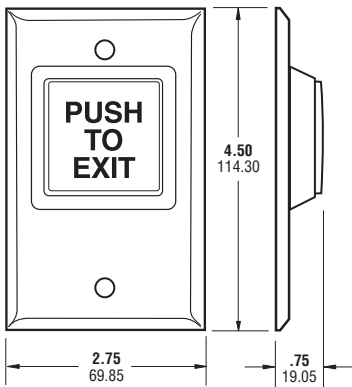


PB-NS-1

Narrow faceplate with spring-return, illuminated "EXIT" button. Momentary function, SPDT. Brushed stainless faceplate. Specify Red, Green or Blue button.

SPECIFICATIONS

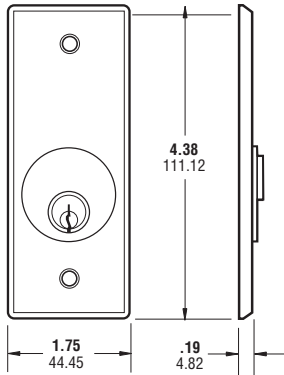
Faceplate: 4.5"H x 1.5"W
Switch Rating: 10 amps @ 125 VAC
Contacts: Momentary
Electrical Life: 100,000 @ rated capacity
Mounting: 2 x #6-32 machine screws
Lens Color: Red, Green or Blue
Legend: "EXIT"
Bulb Voltage: 12 to 24V AC or DC



PB-SG-1

Single gang faceplate with spring-return, illuminated "PUSH TO EXIT" button. Momentary function, SPDT. Brushed stainless faceplate.

Size: 4.5"H x 2.75"W x 2"D
Switch Rating: 10 amps @ 125 VAC
Contacts: Momentary
Electrical Life: 100,000 @ rated capacity
Mounting: 2 x #6-32 machine screws
Lens Color: Green
Legend: "PUSH TO EXIT"
Bulb Voltage: 12 to 24V AC or DC



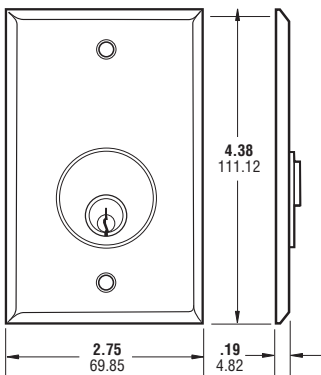
KS-NS

Narrow key switch is 1-3/4". Standard cylinder has SPDT contacts. Brushed stainless finish.

Order KS-NS-1 for Momentary
Order KS-NS-2 for Maintained

SPDT:

Switches supplied have both normally open (NO) and normally closed (NC) contacts, rated at 6 amps @ 120 VAC. Switches marked 106D or 206N are maintained (on/off) and those marked 106F or 206R are momentary.



KS-SG

Single gang key switch has cylinder with SPDT contacts. Faceplate is brushed stainless.

Order KS-SG-1 for Momentary
Order KS-SG-2 for Maintained