

SIMPLEX® Parts Price Book

Prices effective September 1, 2006
Suggested List Price in US Dollars



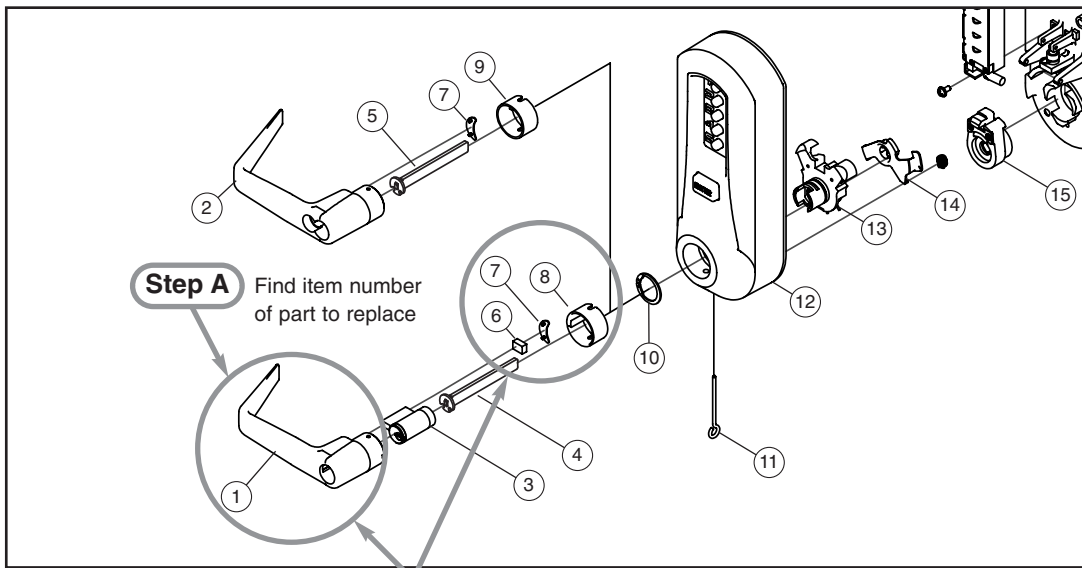
How to Order

Step A Locate the part you are looking to replace in the appropriate exploded view drawing. Each part is given an item number.

Step B Find the item number in the left column of the appropriate chart and determine part number.

Step C If the description of your part also includes additional item numbers in parentheses, those items combine to make a kit. When ordering, please note that the part number listed for this item includes all items listed in the description. *(Note: The additional item numbers in parentheses also reference parts in the exploded view drawing.)*

Example: Ordering an outside lever with key-in-lever type key override.



Step B Find item and part numbers in chart





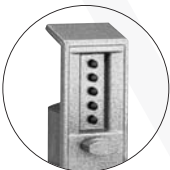


Step C Item number in parenthesis indicate additional items included with part


Item	Qty/ Lock	Description	Finish	Part Number	List Prices (USD)
1	1	Outside Lever, KIL (Includes 1 ea. #1, #6, #7, #8)	Satin Chrome	34229-26D-01	\$75.00
			Bright Brass	34229-03-01	\$75.00
			Satin Brass	34229-04-01	\$75.00
			Duranodic	34229-55-01	\$75.00
			Bright Chrome	34229-026-01	\$75.00
3	1	Kaba KIL Cylinder (w/keys), Keyed Differently	Satin Chrome	54562-26D-01	\$30.00
			Satin Brass	54562-04-01	\$30.00
			Satin Chrome	54568-26D-01	\$30.00
			Satin Brass	54568-04-01	\$30.00
		Kaba 90 Key Blank, 50/Box - Available from Ilco Division - Rocky Mount		KABA 90	

Where to Order
Call 1-800-849-8324 or 1-336-725-1331

For More Information
www.kabaaccess.com

Table of Contents

	Page
Simplex® 5000 	Terms and Conditions3-4
	5000 Cylindrical (Manufactured After March 2005)5-8
	5000 Cylindrical (Manufactured Prior to April 2005)9-11
	5000 Exit Trim12-13
 Simplex® 1000	100014-19
	L100020-26
	EE100027-29
Simplex® 2015 	810030-34
	LP100035-36
 Simplex® 3000	201537
	300038-41
	310042-44
	200045
Simplex® 6200 	620046-47
	710048-49
 Simplex® 7100	90050-53
	960054-55
	File Guards56
Simplex® 900 	

 **Where to Order**
 Call 1-800-849-8324 or 1-336-725-1331

 **For More Information**
www.kabaaccess.com



Where to Order

Call 1-800-849-8324 or 1-336-725-1331



Fax Orders

1-800-346-9640 or 1-336-725-3269



For More Information

www.kabaaccess.com

2941 Indiana Avenue
Winston-Salem, NC 27105 U.S.A.
Tel.: 800 849 8324 or 336 725 1331
Fax: 800 346 9640 or 336 725 3269
www.kabaaccess.com

Terms and Conditions

General Terms and Conditions of Sale

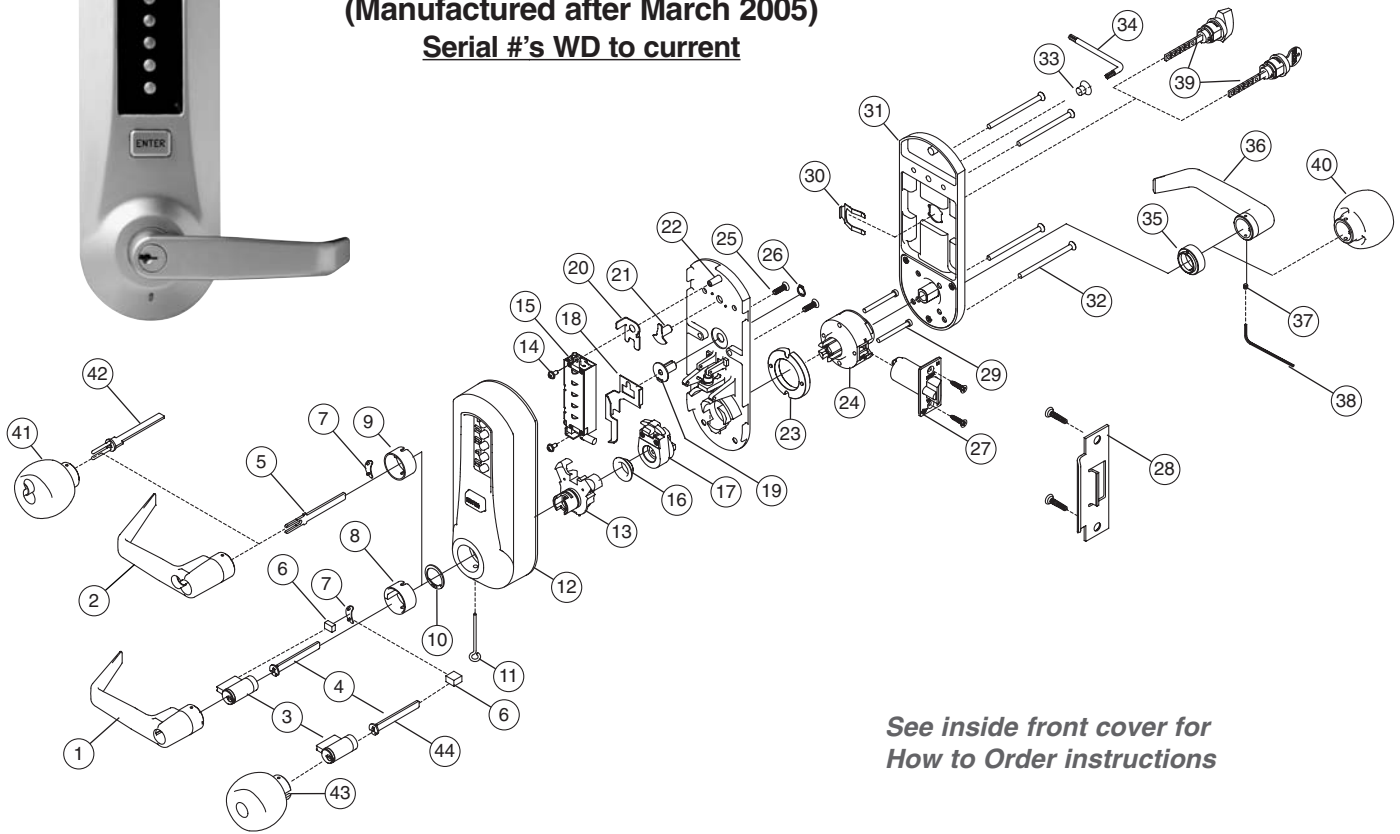
- 1. ENTIRE AGREEMENT:** This Agreement constitutes the entire agreement between KABA ILCO Corp. ("KABA") and the Purchaser, and contains all of the terms and conditions relating to the sale of the product(s). This Agreement supersedes all prior agreements and documents unless expressly incorporated herein.
- 2. PAYMENT TERMS:** Unless otherwise stated, terms are 2%, 10 days, net 30 days from the date of invoice. Discounts taken after the 10 days from invoice date will be billed back to Purchaser. KABA reserves the right to charge interest at 1.5% per month (18% annually) on any overdue amounts. If KABA discovers that the Purchaser's financial condition does not warrant the above payment terms, then KABA, in its absolute discretion, may demand that the Purchaser pay in advance, pay cash upon delivery or refuse Purchaser's order. In the latter case, KABA cannot be held liable for any damages of any nature whatsoever for its refusal to deliver the goods in whole or in part.
- 3. PRICES:** The product price(s) shall be according to KABA's price list in effect at the time of acceptance of the purchase order or according to its authorized quotation in force at the time of acceptance of the applicable purchase order.
- 4. TAXES:** The price does not include any amounts for U.S or International Federal Custom Duties, Canadian, U.S. or International Federal, Provincial, State, Local Excise, Goods and Services, Sales or Use, or Value added taxes. However, should KABA be obligated to pay any of the foregoing taxes, the Purchaser, upon demand, shall, within fifteen (15) days, reimburse KABA the total amount disbursed in respect thereof.
- 5. MINIMUM ORDER REQUIREMENTS:** The minimum order amount for all orders accepted is \$200 USD, excluding the shipping charges. This does not apply to cut keys.
- 6. QUOTATIONS:** Unless otherwise expressed, quotations are valid for 30 days from the date of issue. Should the Purchaser provide erroneous information before or after a quotation, the Purchaser is liable for any costs incurred by KABA as a result of Purchaser's error(s).
- 7. PRODUCT INFORMATION:** Unless expressly stated in this Agreement, all information contained in the product brochure(s), pamphlets, or information circulars, are for reference purposes only. KABA reserves the right to make reasonable changes in its products from time to time and to deliver the modified products.
- 8. INSTALLATION:** Unless otherwise expressly stated, the costs and materials required for installation are not included in the prices and/or quotations.
- 9. POINT OF DELIVERY & SHIPPING:** Delivery points and terms are FOB KABA warehouse in Winston-Salem, North Carolina, USA. All references to FOB shall be in accordance with the latest INCOTERMS in effect.
KABA will pay for ground shipping of orders in excess of \$3,500 within the continental USA and Canada that are to be delivered to one location. Shipping costs for orders less than \$3,500 or for multiple delivery locations shall be invoiced to the Purchaser.
Should Purchaser request a shipping method or carrier different than KABA's standard, then the full amount of the shipping cost will be invoiced to the Purchaser. Drop shipments to a third party are subject to a \$25 surcharge, which is invoiced to Purchaser.
- 10. DELIVERY TERMS:** KABA will notify the Purchaser if for any reason, it is unable to deliver the products as scheduled and cannot be held liable for any damages of any nature resulting from these delays.
- 11. FORCE MAJEURE:** Should a delay in delivery be caused by a Force Majeure event, the time of delivery shall be extended by a reasonable amount of time with regard to all applicable circumstances. Upon mutual agreement, the parties shall set a new date for delivery. Except as to payments due hereunder, neither party shall be liable for failure to perform hereunder for the duration of and to the extent such failure is occasioned by a Force Majeure event, which is defined as follows: war, riots, insurrections, fire, flood, explosions, strikes and other labor or industrial disturbances, inevitable accidents, Government, State, Provincial or Municipal regulations and/or ordinances, an act of God, embargoes, blockades, delay in obtaining materials, legal restrictions, currency regulations, or any cause or condition beyond the reasonable control of the parties. Where such conditions continue for more than three (3) months, either party shall be free to terminate the Agreement. In the case of termination, KABA shall be paid the value proportionate to the Agreement price for the finished product and/or the work-in-progress as of the date of termination and the supportable costs.
- 12. FAILURE TO ACCEPT DELIVERY:** If Purchaser fails to accept delivery at the scheduled time, the purchase price shall become due and payable in accordance with the original payment schedule and all risks associated with the product or parts of the product to be delivered, shall be borne by the Purchaser. Purchaser shall be responsible for all storage and handling costs incurred and to be incurred as a result thereof.
- 13. TITLE:** Unless otherwise stipulated in this Agreement, ownership of the goods shall remain with KABA until full payment of the sale price has been received. Until complete payment has been received, Purchaser undertakes to warrant and keep the goods free and clear of all liens, other charges or encumbrances.
- 14. TRADE ACCOUNT REQUIREMENTS:** Once Purchaser has established a trade account with KABA, Purchaser must maintain account in good standing and have minimum annual purchases of product(s) of \$10,000.
- 15. RETURN POLICY:** Purchaser must obtain a Return Goods Authorization (RGA) number from KABA's Customer Service by calling in North America: (800) 849-8324 or Worldwide: (336) 725-1331, before returning any products whatsoever. The Purchaser must have the product serial number and invoice number pertaining to the original purchase available to give to the Customer Service Agent. KABA will send via Facsimile the Return Goods Authorization form, which includes the RGA number along with the "Ship To" address and RGA return instructions. RGAs expire after sixty (60) days from date of issuance. Returns of product by Purchaser are FOB KABA.

Continue on Next Page

Terms and Conditions (*continued*)

- 15.1 KABA warrants its new products free from design, material or workmanship flaws. Specific new product warranties vary according to products and are listed in Document KAA1048. This document may be found on our web site (www.kaba-ilco.com) or requested through our Customer Service department (800-849-8324). Third party product(s) sold by KABA are warranted only to the extent provided by the original manufacturer's warranty and Purchaser must refer to the original manufacturer's warranty in such case. Refurbished or reconditioned KABA products are warranted for a ninety (90) day period from date of shipment. Failure of the
- Purchaser to notify KABA within the time limit set in this section shall constitute Purchaser's waiver to have the malfunction or damage remedied.
 - The express warranties as set out herein, are the exclusive warranties provided under this Agreement and are in lieu of any other warranties, expressed or implied, statutory or otherwise, including but not limited to warranty of fitness for a particular purpose and merchantability. No distributor, dealer, sales representative and alike is authorized to bind KABA to any other warranty Agreement.
 - KABA will at no charge, either repair, exchange, or replace the product provided it is returned complete to KABA during the warranty period, however, Purchaser is responsible for the labor to remove and reinstall the product(s) from Purchaser's premises.
 - Defective parts, which have been replaced, become the property of KABA who may dispose of it in any manner. Replacement parts become the property of the Purchaser upon their delivery.
 - KABA is not liable for any defects in materials, designs, drawings or information provided by the Purchaser, nor for information which is missing and could not be reasonably identified as such, by KABA.
 - KABA does not warrant the following:
 - (a) Normal wear and tear from use;
 - (b) Printer ribbons, batteries, key cards and other consumable parts used or supplied with the product;
 - (c) Damage of any nature to hardware finishes, unless specifically identified as a Lifetime finish on the product literature;
 - (d) Faulty or defective product operation(s) caused by unusual or unforeseeable use or conditions;
 - (e) Improper installation, operation or maintenance of the product;
 - (f) Any product or system in which KABA's product(s) is incorporated;
 - (g) Force majeure as defined by section 11 of this Agreement;
 - (h) Repairs or alterations carried out by anyone other than KABA;
- 15.2 **VARIANCE:** Any claims that the quantity and description of goods delivered and the quantity and description of goods ordered do not conform to this Agreement are waived unless the Purchaser advises KABA's Customer Service department in writing, within fifteen (15) days from the date of receipt of the product(s).
- 15.3 **RETURNS FOR CREDIT:** In order to return new merchandise, the Purchaser must obtain a Returned Goods Authorization (RGA) number from KABA Customer Service department. There is a twenty-five percent (25%) restocking charge applied to all returns of new product. Custom products cannot be returned for credit for any reason other than product failure. Credit will not be offered for product that is returned incomplete or damaged.
16. **LIMITATION OF LIABILITY:** The total liability of KABA for all claims of any kind, whether in contract, liability or otherwise, arising out of, connected with or resulting from KABA's performance or breach of this Agreement or services furnished hereunder shall in no event exceed the total purchase price expressed in this Agreement. KABA shall not under any circumstances be held liable for loss of profits or revenues, loss of use of product or any other product software, system, or facility, loss of data or information, lack or loss of productivity, interest charges or cost of capital, cost of substitute product, software, systems or services, cost of purchases or replacement power, downtime costs, or for any special, indirect or consequential damages of any nature.
17. **ASSIGNMENT:** KABA may assign this Agreement in whole or in part, to any parent, subsidiary or affiliated corporation. Subject to the prior written approval of KABA, Purchaser may assign the present Agreement to any parent, subsidiary or affiliated corporation.
18. **DAMAGES:** If Purchaser does not fulfill its obligations or is in default or breach of contract by the terms of this Agreement, KABA may then terminate the agreement by notice in writing as set out on the face of KABA's acknowledgement. KABA has the right to claim compensation for any loss it incurs as a result of Purchaser's default.
19. **APPLICABLE LAW:** This Agreement shall be governed by and construed in accordance with the laws of the State of North Carolina, USA.
20. **TERMINATION:** If the Purchaser terminates this Agreement, in whole or in part, by written notice, KABA will, upon receipt of the termination notice, cease the performance of the contract according to the instructions of the Purchaser. In such a case, Purchaser shall be invoiced for costs incurred depending on the nature of the product.
21. **SEVERABILITY:** Any term, condition or provision of this Agreement, or any part thereof, which is or may be found to be prohibited or unenforceable in any jurisdiction shall, as regards such jurisdiction and to the extent of such prohibition or unenforceability, be deemed to be severed from this Agreement, and the remaining terms, conditions and provisions of this Agreement shall remain in full force and effect.
22. **WAIVER:** Any act or omission by KABA will not constitute or be deemed to be a waiver of the rights granted to KABA by the terms of this Agreement.
23. **SPECIAL CLAUSES FOR KEY CONTROL PRODUCTS:**
- (a) For combined products, master keying is included in the product price.
 - (b) KABA will only accept orders for key blanks, cut keys and combined cylinders if the appropriate and current authorizations are enclosed, which depend upon the product and key section.
 - (c) Orders for products that are in quantities other than standard package quantities are subject to a "broken box" surcharge of \$10.00 per line item.
 - (d) Failure to use genuine KABA pins or laser cutting the key blanks will void all warranties.

Simplex 5000 Cylindrical (Manufactured after March 2005) Serial #'s WD to current



See inside front cover for
How to Order instructions

Item	Qty/Lock	Description	Finish	Part Number	List Prices (USD)
1	1	Outside Lever, KIL (Includes 1 ea. #1, #6, #7, #8)	Satin Chrome	34229-26D-01	\$75.00
			Bright Brass	34229-03-01	\$75.00
			Satin Brass	34229-04-01	\$75.00
			Duranodic	34229-55-01	\$75.00
2	1	Outside Lever, Schlage (Includes 1 ea. #2, #7, #9)	Satin Chrome	34229-026-01	\$100.00
			Bright Brass	34230-03-01	\$100.00
			Satin Brass	34230-04-01	\$100.00
			Duranodic	34230-55-01	\$100.00
			Bright Chrome	34230-026-01	\$100.00
		Outside Lever, Corbin-Russwin (Includes 1 ea. #2, #7, #9)	Satin Chrome	34231-26D-01	\$100.00
			Bright Brass	34231-03-01	\$100.00
			Satin Brass	34231-04-01	\$100.00
			Duranodic	34231-55-01	\$100.00
			Bright Chrome	34231-026-01	\$100.00
		Outside Lever, Sargent (Includes 1 ea. #2, #7, #9)	Satin Chrome	34232-26D-01	\$100.00
			Bright Brass	34232-03-01	\$100.00
			Satin Brass	34232-04-01	\$100.00
			Duranodic	34232-55-01	\$100.00
			Bright Chrome	34232-026-01	\$100.00
		Outside Lever, Best (Includes 1 ea. #2, #7, #9)	Satin Chrome	34233-26D-01	\$100.00
			Bright Brass	34233-03-01	\$100.00
			Satin Brass	34233-04-01	\$100.00
			Duranodic	34233-55-01	\$100.00
			Bright Chrome	34233-026-01	\$100.00
Outside Lever, Assa/Medeco/Yale (Includes 1 ea. #2, #7, #9)	Satin Chrome	34234-26D-01	\$100.00		
	Bright Brass	34234-03-01	\$100.00		
	Satin Brass	34234-04-01	\$100.00		
	Duranodic	34234-55-01	\$100.00		
	Bright Chrome	34234-026-01	\$100.00		

Simplex 5000 (Manufactured after March 2005) (continued)

Item	Qty/Lock	Description	Finish	Part Number	List Prices (USD)			
3	1	Kaba KIL Cylinder (w/keys), Keyed Differently	Satin Chrome	54562-26D-01	\$30.00			
			Satin Brass	54562-04-01	\$30.00			
		Schlage KIL Cylinder (w/keys), Keyed Differently	Satin Chrome	54568-26D-01	\$30.00			
			Satin Brass	54568-04-01	\$30.00			
		Kaba 90 Key Blank, 50/Box - Available from Ilco Division - Rocky Mount		KABA 90				
4	1	Tailpiece Kit, KIL (Includes 5 various tailpieces)		74892-000-01	\$12.00			
5	1	Tailpiece Kit, Best (6 and 7-pin)		64724-000-01	\$9.00			
		Tailpiece Kit, Corbin-Russwin/Sargent		24471-000-01	\$9.00			
		Tailpiece Kit, Assa/Medeco/Yale		74836-000-01	\$12.00			
		Tailpiece Kit, Schlage		54618-000-01	\$9.00			
6	1	Lever Sleeve Accessory Kit, KIL (Includes 1 ea. #6, #7, #8)		64706-000-01	\$14.00			
7	1	Outside Lever Insert (10 Pack)		54527-000-10	\$10.00			
8	1	Lever Sleeve Accessory Kit, KIL (Includes 1 ea. #6, #7, #8)		64706-000-01	\$14.00			
9	1	Lever Sleeve Accessory Kit, IC (Includes 1 ea. #7, #9)		64707-000-01	\$14.00			
10	1	External Retaining Ring (10 Pack)		54517-000-10	\$10.00			
11	1	Accessory Tool Kit (Includes 1 ea. #11, #38)		64717-000-01	\$10.00			
12	1	Outside Housing, Exterior Code Change – with Driver (Includes code buttons, enter button and 1 ea. #10, #13)	Satin Chrome	74957-26D-01	\$180.00			
			Bright Brass	74957-03-01	\$180.00			
			Satin Brass	74957-04-01	\$180.00			
			Duranodic	74957-55-01	\$180.00			
			Black	74957-083-01	\$180.00			
			Bright Chrome	74957-026-01	\$180.00			
		Outside Housing, Interior Code Change – with Driver (Includes code buttons, enter button and 1 ea. #10, #13)	Satin Chrome	74961-26D-01	\$180.00			
			Bright Brass	74961-03-01	\$180.00			
			Satin Brass	74961-04-01	\$180.00			
			Duranodic	74961-55-01	\$180.00			
			Black	74961-083-01	\$180.00			
			Bright Chrome	74961-026-01	\$180.00			
			13	1	Outside Driver Assembly (Includes 1 ea. of #10, #13)		74954-000-01	\$30.00
			14	2	Combination Chamber Screw, 6-32 X 7/16" (10 ea. x 3 different screws)		64776-000-01	\$10.00
15	1	Combination Chamber		74832-000-01	\$80.00			
16	1	Driver Bearing (10 Pack)		34189-000-10	\$10.00			
17	1	Extension Sleeve Assembly (Fits standard or passage)		74900-000-01	\$28.00			
18	1	Passage Actuator Plate Kit (Includes 1 ea. #18, #19, #26)		64747-000-01	\$12.00			
19	1	Passage Actuator Cam Kit (Includes 1 ea. #18, #19, #26)		64747-000-01	\$12.00			
20	1	Interior Code Change Bracket Kit (Includes 1 ea. #20, #21)		64748-000-01	\$10.00			
21	1	Interior Code Change Actuator Kit (Includes 1 ea. #20, #21)		64748-000-01	\$10.00			
22	1	Outside Base Assembly without Chamber		75207-000-01	\$70.00			
23	1	1/4" Spacer (Includes 2 ea. #23, #29)		64712-000-01	\$10.00			
24	1	Cylindrical Drive Unit Assembly (CDU)		74841-000-01	\$45.00			
25	2	Outside Base Screw (10 Pack)		54461-000-10	\$10.00			
26	1	Retaining Ring (10 Pack)		201440-000-10	\$6.00			
27	1	Latch 1/2" Floating Face - 3 Hour Fire Rated (Includes Screws)	Satin Chrome	204168-26D-41	\$31.00			
			Bright Brass	204168-03-41	\$31.00			
		Latch 3/4" Floating Face - 3 Hour Fire Rated (Includes Screws)	Satin Chrome	201144-26D-41	\$56.00			
			Bright Brass	201144-03-41	\$56.00			
28	1	ASA Strike Kit 4 7/8" Long (124 mm) (Includes Screws)	Satin Chrome	204119-26D-01	\$9.00			
			Bright Brass	204119-03-01	\$10.00			
		Standard "T" Strike Plate Kit (Includes Screws)	Satin Chrome	204227-26D-01	\$9.00			
			Bright Brass	204227-03-01	\$10.00			
29	2	Connecting Screw, Phillips 8-32 X 1 3/8" (Includes 2 ea. #23, #29)		64712-000-01	\$10.00			
		Connecting Screw, Phillips 8-32 X 1 5/8" (Includes 2 ea. #23, #29)		64712-000-01	\$10.00			
30	1	Passage Spring Clip (10 Pack)		201740-000-10	\$10.00			

Simplex 5000 (Manufactured after March 2005) (continued)

Item	Qty/Lock	Description	Finish	Part Number	List Prices (USD)
31	1	Inside Housing Assembly, Complete	Satin Chrome	74844-26D-01	\$75.00
			Bright Brass	74844-03-01	\$75.00
			Satin Brass	74844-04-01	\$75.00
			Duranodic	74844-55-01	\$75.00
			Black	74844-083-01	\$75.00
			Bright Chrome	74844-026-01	\$75.00
		Inside Housing Assembly, Complete, Interior Code Change	Satin Chrome	74876-26D-01	\$75.00
			Bright Brass	74876-03-01	\$75.00
			Satin Brass	74876-04-01	\$75.00
			Duranodic	74876-55-01	\$75.00
			Black	74876-083-01	\$75.00
			Bright Chrome	74876-026-01	\$75.00
		Inside Housing Assembly, Complete, Passage	Satin Chrome	74904-26D-01	\$85.00
			Bright Brass	74904-03-01	\$85.00
			Satin Brass	74904-04-01	\$85.00
			Duranodic	74904-55-01	\$85.00
Black	74904-083-01		\$85.00		
Bright Chrome	74904-026-01		\$85.00		
Inside Housing Assembly, Complete, Interior Code Change w/ Passage	Satin Chrome	74927-26D-01	\$85.00		
	Bright Brass	74927-03-01	\$85.00		
	Satin Brass	74927-04-01	\$85.00		
	Duranodic	74927-55-01	\$85.00		
	Black	74927-083-01	\$85.00		
	Bright Chrome	74927-026-01	\$85.00		
32	1	Mounting Screw Kit (4 ea. of 3 different sizes)	Satin Chrome	64753-26D-01	\$15.00
			Bright Brass	64753-03-01	\$15.00
33	1	Torx Key Screw Kit (Includes 1 ea. #33, #34)		64752-000-01	\$12.00
34	1	Torx Key Wrench Kit (Includes 1 ea. #33, #34)		64752-000-01	\$12.00
35	1	Housing Bearing (10 Pack)		34191-000-10	\$10.00
36	1	Inside Lever Kit (Includes 1 ea. #36, #37, #38)	Satin Chrome	34186-26D-01	\$50.00
			Bright Brass	34186-03-01	\$50.00
			Satin Brass	34186-04-01	\$50.00
			Duranodic	34186-55-01	\$50.00
			Bright Chrome	34186-026-01	\$50.00
37	1	Inside Lever Set Screw (10 Pack)		54463-000-10	\$10.00
38	1	Accessory Tool Kit (Includes 1 ea. #11, #38)		64717-000-01	\$10.00
39	1	Thumbturn & Keyturn Kit (Includes 1 ea. #30, #39)	Satin Chrome	801279-26D-01	\$42.00
			Bright Brass	801279-03-01	\$42.00
			Satin Brass	801279-04-01	\$42.00
40	1	Inside Knob Kit (Includes 1 ea. #37, #38, #40)	Satin Chrome	34247-26D-01	\$50.00
			Bright Brass	34247-03-01	\$50.00
			Satin Brass	34247-04-01	\$50.00
			Duranodic *	34247-55-01	\$50.00
			Bright Chrome	34247-026-01	\$50.00
41	1	Outside Knob, Corbin-Russwin (Includes 1 ea. #9, #41)	Satin Chrome	34244-26D-01	\$100.00
			Bright Brass	34244-03-01	\$100.00
			Satin Brass	34244-04-01	\$100.00
			Duranodic *	34244-55-01	\$100.00
			Bright Chrome	34244-026-01	\$100.00
			Satin Chrome	34245-26D-01	\$100.00
		Outside Knob, Sargent (Includes 1 ea. #9, #41)	Bright Brass	34245-03-01	\$100.00
			Satin Brass	34245-04-01	\$100.00
			Duranodic *	34245-55-01	\$100.00
			Bright Chrome	34245-026-01	\$100.00
			Satin Chrome	34248-26D-01	\$100.00
			Bright Brass	34248-03-01	\$100.00
		Outside Knob, Best (Includes 1 ea. #9, #41)	Satin Brass	34248-04-01	\$100.00
			Duranodic *	34248-55-01	\$100.00
			Bright Chrome	34248-026-01	\$100.00
			Satin Chrome	34249-26D-01	\$100.00
			Bright Brass	34249-03-01	\$100.00
			Satin Brass	34249-04-01	\$100.00
		Outside Knob, Schlage (Includes 1 ea. #9, #41)	Duranodic *	34249-55-01	\$100.00
			Bright Chrome	34249-026-01	\$100.00
			Satin Chrome	34250-26D-01	\$100.00
			Bright Brass	34250-03-01	\$100.00
			Satin Brass	34250-04-01	\$100.00
			Duranodic *	34250-55-01	\$100.00
Outside Knob, Assa/Medeco/Yale (Includes 1 ea. #9, #41)	Bright Chrome	34250-026-01	\$100.00		

Simplex 5000 (Manufactured after March 2005) (continued)

Item	Qty/Lock	Description	Finish	Part Number	List Prices (USD)
42	1	Tailpiece Kit, Best Knob (6 and 7-pin)		74988-000-01	\$10.00
		Tailpiece Kit, Corbin-Russwin Knob		74989-000-01	\$10.00
		Tailpiece Kit, Sargent Knob		74990-000-01	\$10.00
		Tailpiece Kit, Assa/Medeco/Yale Knob		74987-000-01	\$10.00
		Tailpiece Kit, Schlage Knob		54618-000-01	\$9.00
43	1	Outside Knob, KIK (Includes 1 ea. #8, #43, #44)	Satin Chrome	34246-26D-01	\$70.00
			Bright Brass	34246-03-01	\$70.00
			Satin Brass	34246-04-01	\$70.00
			Duranodic *	34246-55-01	\$70.00
			Bright Chrome	34246-026-01	\$70.00
44	1	Tailpiece Kit, KIK (Includes 5 various tailpieces)		74892-000-01	\$12.00

Additional Parts Kits

Item	Description	Finish	Part Number	List Prices (USD)
Kits	Installation Hardware Kit (Includes #6, #7, #11, #23, #29, #32, #37, #39)	Satin Chrome	74859-26D-01	\$28.00
		Bright Brass	74859-03-01	\$28.00
	Product Documentation Kit		PKG2863	\$15.00
	Lubriplate Aero Grease Tubes		64754-000-01	\$12.00
	Lever Return Spring (Fits inside and outside driver) (10 Pack)		54482-000-10	\$14.00
	Actuator Button Spring (10 Pack)		54514-000-10	\$14.00
	Tamper Proof Screw Kit (4 ea of 3 sizes) (Includes Wrench)	Satin Chrome	64692-26D-01	\$20.00
		Bright Brass	64692-03-01	\$20.00

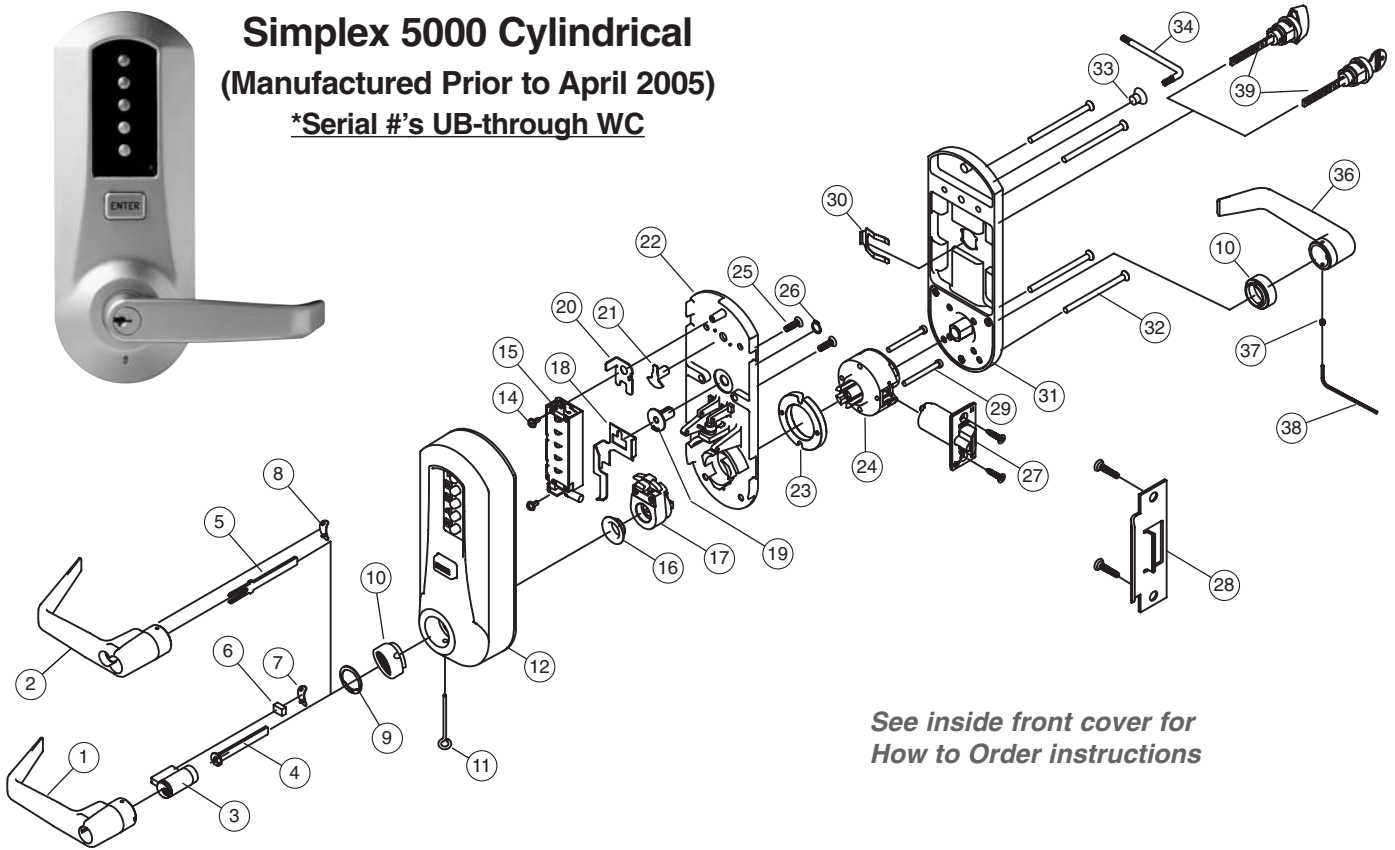
Note: For kit items that show additional reference #s in parentheses, the quantity required for 1 lock is included in kit.

Note: Lubriplate Aero grease is the "only" lubricant that should be used.

*Call for Availability



Simplex 5000 Cylindrical
 (Manufactured Prior to April 2005)
 *Serial #'s UB-through WC



*See inside front cover for
 How to Order instructions*

Item	Qty/Lock	Description	Finish	Part Number	List Prices (USD)
1	1	Outside Lever, KIL (Includes 1 each #1, #6, #7)	Satin Chrome	34197-26D-01	\$75.00
			Bright Brass	34197-03-01	\$75.00
			Satin Brass	34197-04-01	\$75.00
			Duranodic	34197-55-01	\$75.00
2	1	Outside Lever, Schlage (Includes 1 each #2, #8)	Satin Chrome	34199-26D-01	\$100.00
			Bright Brass	34199-03-01	\$100.00
			Satin Brass	34199-04-01	\$100.00
			Duranodic	34199-55-01	\$100.00
		Outside Lever, Corbin-Russwin (Includes 1 each #2, #8)	Satin Chrome	34200-26D-01	\$100.00
			Bright Brass	34200-03-01	\$100.00
			Satin Brass	34200-04-01	\$100.00
			Duranodic	34200-55-01	\$100.00
		Outside Lever, Sargent (Includes 1 each #2, #8)	Satin Chrome	34201-26D-01	\$100.00
			Bright Brass	34201-03-01	\$100.00
			Satin Brass	34201-04-01	\$100.00
			Duranodic	34201-55-01	\$100.00
		Outside Lever, Best (Includes 1 each #2, #8)	Satin Chrome	34203-26D-01	\$100.00
			Bright Brass	34203-03-01	\$100.00
			Satin Brass	34203-04-01	\$100.00
			Duranodic	34203-55-01	\$100.00
		Outside Lever, Assa/Medeco/Yale (Includes 1 each #2, #8)	Satin Chrome	34204-26D-01	\$100.00
			Bright Brass	34204-03-01	\$100.00
			Satin Brass	34204-04-01	\$100.00
			Duranodic	34204-55-01	\$100.00

Note: In some instances where stock of original replacement parts has been depleted, we will send current production parts which may include additional items.

Simplex 5000 (Manufactured Prior to April 2005) (continued)

Item	Qty/Lock	Description	Finish	Part Number	List Prices (USD)
3	1	Kaba KIL Cylinder (w/keys), Keyed Differently	Satin Chrome	54562-26D-01	\$30.00
			Satin Brass	54562-04-01	\$30.00
		Schlage KIL Cylinder (w/keys), Keyed Differently	Satin Chrome	54568-26D-01	\$30.00
			Satin Brass	54568-04-01	\$30.00
		Kaba 90 Key Blank, 50/Box - Available from Ilco Division - Rocky Mount		KABA 90	
4	1	Tailpiece Kit, KIL (Includes 5 various tailpieces)		74892-000-01	\$12.00
5	1	Tailpiece Kit, Best (6 and 7-pin)		64724-000-01	\$9.00
		Tailpiece Kit, Corbin-Russwin/Sargent		24471-000-01	\$9.00
		Tailpiece Kit, Assa/Medeco/Yale		74836-000-01	\$12.00
		Tailpiece Kit, Schlage		54618-000-01	\$9.00
6	1	Cylinder Retainer (10 Pack)		54569-000-10	\$10.00
7	1	Outside Lever Insert (KIL) (10 Pack)		54519-000-10	\$10.00
8	1	Outside Lever Insert (IC) (10 Pack)		54527-000-10	\$10.00
9	1	External Retaining Ring (10 Pack)		54517-000-10	\$10.00
10	1	Housing Bearing (10 Pack)		34191-000-10	\$10.00
11	1	Accessory Tool Kit (Includes 1 ea. #11, #38)		64717-000-01	\$10.00
12	1	* Outside Housing, Exterior Code Change with Driver (Includes code buttons, enter button and 1 ea. #9, #10, #12)	Satin Chrome	74957-26D-01	\$180.00
			Bright Brass	74957-03-01	\$180.00
			Satin Brass	74957-04-01	\$180.00
			Duranodic	74957-55-01	\$180.00
			Black	74957-083-01	\$180.00
	1	* Outside Housing, Interior Code Change with Driver (Includes code buttons, enter button and 1 ea. #9, #10, #12)	Satin Chrome	74961-26D-01	\$180.00
			Bright Brass	74961-03-01	\$180.00
			Satin Brass	74961-04-01	\$180.00
			Duranodic	74961-55-01	\$180.00
			Black	74961-083-01	\$180.00
14	2	Combination Chamber Screw, 6-32 X 7/16" (10 ea. x 3 different screws)		64776-000-01	\$10.00
15	1	Combination Chamber		74832-000-01	\$80.00
16	1	Driver Bearing (10 Pack)		34189-000-10	\$10.00
17	1	Extension Sleeve Assembly (Fits standard or passage)		74900-000-01	\$28.00
18	1	Passage Actuator Plate Kit (Includes 1 ea. #18, #19, #26)		64747-000-01	\$12.00
19	1	Passage Actuator Cam Kit (Includes 1 ea. #18, #19, #26)		64747-000-01	\$12.00
20	1	Interior Code Change Bracket Kit (Includes 1 ea. #20, #21)		64748-000-01	\$10.00
21	1	Interior Code Change Actuator Kit (Includes 1 ea. #20, #21)		64748-000-01	\$10.00
22	1	Outside Base Assembly without chamber		75207-000-01	\$70.00
23	1	1/4" Spacer (Includes 2 of each #23, #29)		64712-000-01	\$10.00
24	1	Cylindrical Drive Unit Assembly (CDU)		74841-000-01	\$45.00
25	2	Outside Base Screw (10 Pack)		54461-000-10	\$10.00
26	1	Retaining Ring (10 Pack)		201440-000-10	\$6.00
27	1	Latch 1/2" Floating Face - 3 Hour Fire Rated (Includes Screws)	Satin Chrome	204168-26D-41	\$31.00
			Bright Brass	204168-03-41	\$31.00
		Latch 3/4" Floating Face - 3 Hour Fire Rated (Includes Screws)	Satin Chrome	201144-26D-41	\$56.00
			Bright Brass	201144-03-41	\$56.00
28	1	ASA Strike Kit (Includes Screws)	Satin Chrome	204119-26D-01	\$9.00
			Bright Brass	204119-03-01	\$10.00
		Standard "T" Strike Plate Kit (Includes Screws)	Satin Chrome	204227-26D-01	\$9.00
			Bright Brass	204227-03-01	\$10.00
29	2	Connecting Screw, Phillips 8-32 X 1 3/8" (Includes 2 ea. #23, #29)		64712-000-01	\$10.00
		Connecting Screw, Phillips 8-32 X 1 5/8" (Includes 2 ea. #23, #29)		64712-000-01	\$10.00
30	1	Passage Spring Clip (10 Pack)		201740-000-10	\$10.00

Note: In some instances where stock of original replacement parts has been depleted, we will send current production parts which may include additional items.

* When ordering a replacement housing for locks produced prior to April 2005, you must order a new lever and lever sleeve accessory kit.

Simplex 5000 (Manufactured Prior to April 2005) (continued)

Item	Qty/Lock	Description	Finish	Part Number	List Prices (USD)
31	1	Inside Housing Assembly, Complete	Satin Chrome	74844-26D-01	\$75.00
			Bright Brass	74844-03-01	\$75.00
			Satin Brass	74844-04-01	\$75.00
			Duranodic	74844-55-01	\$75.00
			Black	74844-083-01	\$75.00
		Inside Housing Assembly, Complete, Interior Code Change	Satin Chrome	74876-26D-01	\$75.00
			Bright Brass	74876-03-01	\$75.00
			Satin Brass	74876-04-01	\$75.00
			Duranodic	74876-55-01	\$75.00
			Black	74876-083-01	\$75.00
		Inside Housing Assembly, Complete, Passage	Satin Chrome	74904-26D-01	\$85.00
			Bright Brass	74904-03-01	\$85.00
			Satin Brass	74904-04-01	\$85.00
			Duranodic	74904-55-01	\$85.00
			Black	74904-083-01	\$85.00
		Inside Housing Assembly, Complete, Interior Code Change w/ Passage	Satin Chrome	74927-26D-01	\$85.00
Bright Brass	74927-03-01		\$85.00		
Satin Brass	74927-04-01		\$85.00		
Duranodic	74927-55-01		\$85.00		
Black	74927-083-01		\$85.00		
32	1	Mounting Screw Kit (4 ea. of 3 sizes)	Satin Chrome	64753-26D-01	\$12.00
			Bright Brass	64753-03-01	\$12.00
33	1	Torx Key Screw Kit (Includes 1 ea. #33, #34)		64752-000-01	\$12.00
34	1	Torx Key Wrench Kit (Includes 1 ea. #33, #34)		64752-000-01	\$12.00
36	1	Inside Lever Kit (Includes 1 ea. #36, #37, #38)	Satin Chrome	34186-26D-01	\$50.00
			Bright Brass	34186-03-01	\$50.00
			Satin Brass	34186-04-01	\$50.00
			Duranodic	34186-55-01	\$50.00
37	1	Inside Lever Set Screw (10 Pack)		54463-000-10	\$10.00
38	1	Accessory Tool Kit (Includes 1 ea. #11, #38)		64717-000-01	\$10.00
39	1	Thumbturn & Keyturn Kit (Includes 1 ea. #30, #39)	Satin Chrome	801279-26D-01	\$42.00
			Bright Brass	801279-03-01	\$42.00
			Satin Brass	801279-04-01	\$42.00

Additional Parts Kits

Item	Description	Finish	Part Number	List Prices (USD)
Kits	Installation Hardware Kit (Includes #6, #8, #11, #23, #29, #32, #37, #38)	Satin Chrome	74859-26D-01	\$28.00
		Bright Brass	74859-03-01	\$28.00
	Product Documentation Kit		PKG2863	\$15.00
	Lubriplate Aero Grease Tubes		64754-000-01	\$12.00
	Lever Return Spring (Fits inside and outside driver) (10 Pack)		54482-000-10	\$14.00
	Actuator Button Spring (10 Pack)		54514-000-10	\$14.00
	Outside Lever Set Screw Kit (10 Pack)		54544-000-10	\$12.00
	Tamper Proof Screw Kit (4 ea of 3 sizes) (Includes Wrench)	Satin Chrome	64692-26D-01	\$20.00
	Bright Brass	64692-03-01	\$20.00	

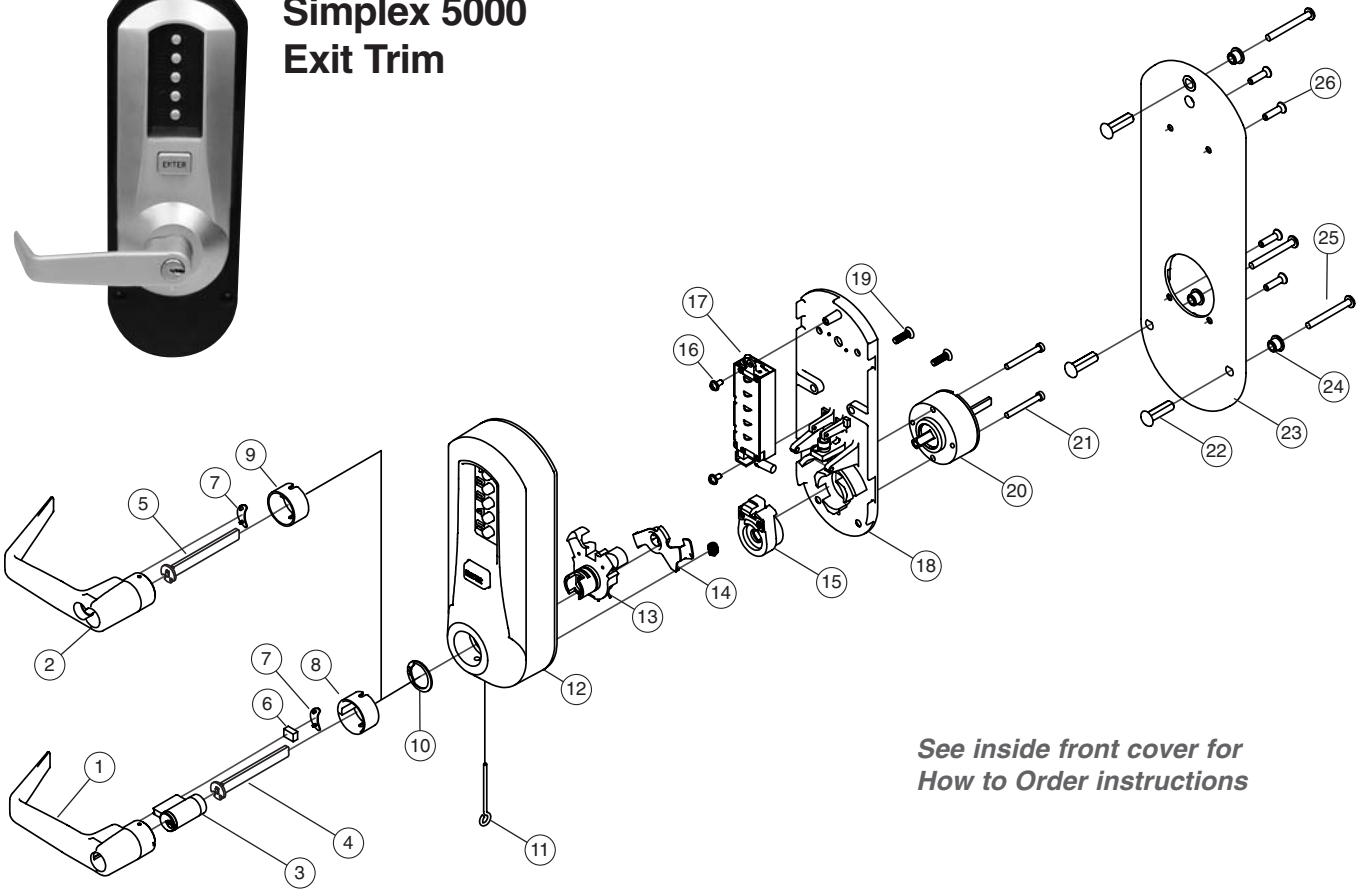
Note:

- For kit items that show additional reference #s in parentheses, the quantity required for 1 lock is included in kit.
- *Serial # should be properly identified to assure the correct parts are ordered based on the time of manufacture of your lock.
- Lubriplate Aero grease is the "only" lubricant that should be used.

Note: In some instances where stock of original replacement parts has been depleted, we will send current production parts which may include additional items.



Simplex 5000 Exit Trim



See inside front cover for
How to Order instructions

Item	Qty/Lock	Description	Finish	Part Number	List Prices (USD)
1	1	Outside Lever, KIL (Includes 1 ea. #1, #6, #7, #8)	Satin Chrome	34229-26D-01	\$75.00
			Bright Brass	34229-03-01	\$75.00
			Satin Brass	34229-04-01	\$75.00
			Duranodic	34229-55-01	\$75.00
			Bright Chrome	34229-026-01	\$75.00
2	1	Outside Lever, Schlage (Includes 1 ea. #2, #7, #9)	Satin Chrome	34230-26D-01	\$100.00
			Bright Brass	34230-03-01	\$100.00
			Satin Brass	34230-04-01	\$100.00
			Duranodic	34230-55-01	\$100.00
			Bright Chrome	34230-026-01	\$100.00
		Outside Lever, Corbin-Russwin (Includes 1 ea. #2, #7, #9)	Satin Chrome	34231-26D-01	\$100.00
			Bright Brass	34231-03-01	\$100.00
			Satin Brass	34231-04-01	\$100.00
			Duranodic	34231-55-01	\$100.00
			Bright Chrome	34231-026-01	\$100.00
		Outside Lever, Sargent (Includes 1 ea. #2, #7, #9)	Satin Chrome	34232-26D-01	\$100.00
			Bright Brass	34232-03-01	\$100.00
			Satin Brass	34232-04-01	\$100.00
			Duranodic	34232-55-01	\$100.00
			Bright Chrome	34232-026-01	\$100.00
		Outside Lever, Best (Includes 1 ea. #2, #7, #9)	Satin Chrome	34233-26D-01	\$100.00
			Bright Brass	34233-03-01	\$100.00
			Satin Brass	34233-04-01	\$100.00
			Duranodic	34233-55-01	\$100.00
			Bright Chrome	34233-026-01	\$100.00
Outside Lever, Assa/Medeco/Yale (Includes 1 ea. #2, #7, #9)	Satin Chrome	34234-26D-01	\$100.00		
	Bright Brass	34234-03-01	\$100.00		
	Satin Brass	34234-04-01	\$100.00		
	Duranodic	34234-55-01	\$100.00		
	Bright Chrome	34234-026-01	\$100.00		

Simplex 5000 Exit Trim (continued)

Item	Qty/Lock	Description	Finish	Part Number	List Prices (USD)
3	1	Kaba KIL Cylinder (w/keys), Keyed Differently	Satin Chrome	54562-26D-01	\$30.00
			Satin Brass	54562-04-01	\$30.00
		Schlage KIL Cylinder (w/keys), Keyed Differently	Satin Chrome	54568-26D-01	\$30.00
			Satin Brass	54568-04-01	\$30.00
		Kaba 90 Key Blank, 50/Box - Available from Ilco Division - Rocky Mount		KABA 90	
4	1	Tailpiece Kit, KIL (Includes 5 various tailpieces) ET/Mortise		64745-000-01	\$14.00
5	1	Tailpiece Kit, Best (6 and 7-pin) ET/Mortise		64743-000-01	\$12.00
		Tailpiece Kit, Corbin-Russwin/Sargent ET/Mortise		24520-000-01	\$12.00
		Tailpiece Kit, Assa/Medeco/Yale ET/Mortise		74836-000-01	\$12.00
		Tailpiece Kit, Schlage ET/Mortise		24527-000-01	\$12.00
6	1	Lever Sleeve Accessory Kit, KIL (Includes 1 ea. #6, #7, #8)		64706-000-01	\$14.00
7	1	Outside Lever Insert (10 Pack)		54527-000-10	\$10.00
8	1	Lever Sleeve Accessory Kit, KIL (Includes 1 ea. #6, #7, #8)		64706-000-01	\$14.00
9	1	Lever Sleeve Accessory Kit, IC (Includes 1 ea. #7, #9)		64707-000-01	\$14.00
10	1	External Retaining Ring (10 Pack)		54517-000-10	\$10.00
11	1	Accessory Tool Kit (Includes 1 ea. #11)		64717-000-01	\$10.00
12	1	Outside Housing, Exterior Code Change – with Driver (Includes code buttons, enter button and 1 ea. #10, #12, #13)	Satin Chrome	74970-26D-01	\$180.00
			Bright Brass	74970-03-01	\$180.00
			Satin Brass	74970-04-01	\$180.00
			Duranodic	74970-55-01	\$180.00
			Black	74970-083-01	\$180.00
			Bright Chrome	74970-026-01	\$180.00
13	1	Outside Driver Assembly (Includes 1 ea. #10, #13)		75201-000-01	\$30.00
14	1	Key Override Detector Kit (Includes spring and washer)		34260-000-01	\$12.00
15	1	Extension Sleeve Assembly - ET		75116-000-01	\$28.00
16	2	Combination Chamber Screw 6-32 x 5/16" (10 ea. x 3 different screws)		64776-000-01	\$10.00
17	1	Combination Chamber		74832-000-01	\$80.00
18	1	Outside Base Assembly without Chamber		75207-000-01	\$70.00
19	2	Base Screw (10 Pack)		54461-000-10	\$10.00
20	1	Exit Trim Drive Unit		74968-000-01	\$45.00
21	2	Connecting Screw 8-32 X 1 3/8" (Incl. 2 ea. #21, and 1/4" spacers)		64712-000-01	\$10.00
		Connecting Screw 8-32 X 1 5/8" (Incl. 2 ea. #21, and 1/4" spacers)		64712-000-01	\$10.00
22	3	Sex Nut (3 Pack)	Black	54642-083-01	\$14.00
23	1	Universal Mounting Plate - ET	Black	34252-083-01	\$22.00
24	3	Mounting Bushing (10 Pack)	Black	44229-068-10	\$10.00
25	3	Mounting Screw (Includes #21, #22, # 24, #25, #26)	Satin Chrome	64725-26D-01	\$28.00
			Bright Brass	64725-03-01	\$28.00
26	4	Screw 10-24 X .75 (10 Pack)		54597-000-10	\$10.00

Additional Parts Kits

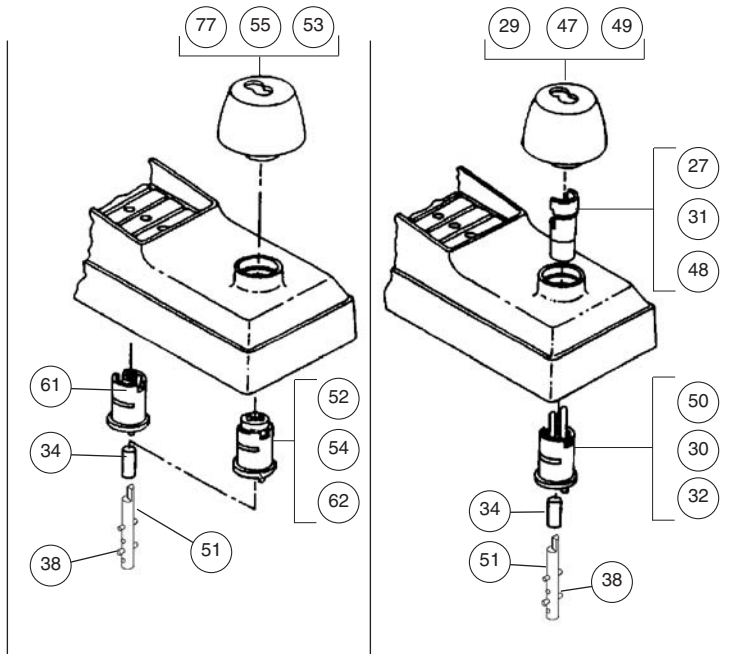
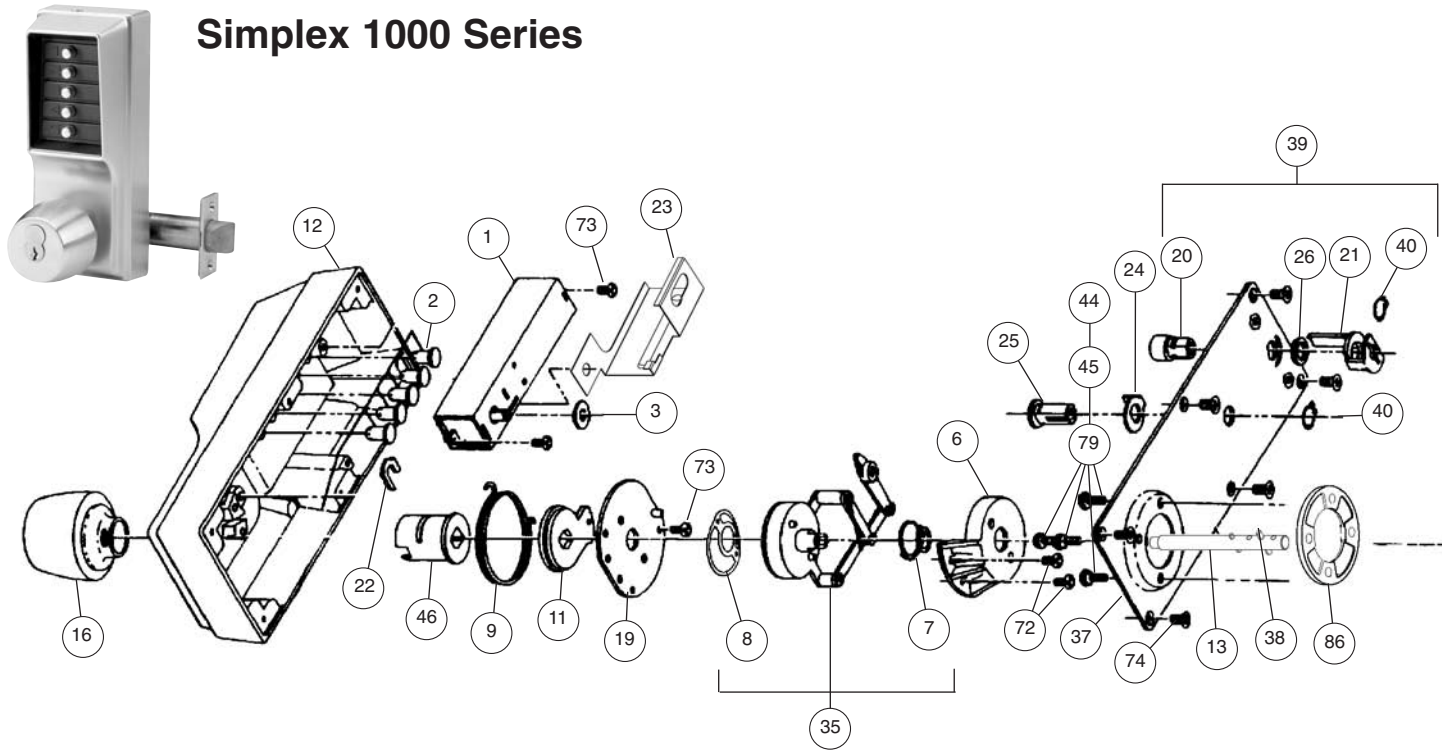
Item	Description	Finish	Part Number	List Prices (USD)
Kits	Installation Hardware Kit (Incl. #21, #22, # 24, #25, #26)	Satin Chrome	64725-26D-01	\$28.00
		Bright Brass	64725-03-01	\$28.00
	Lubriplate Aero Grease Tubes		64754-000-01	\$12.00
	Lever Return Spring (Fits inside and outside driver) (10 Pack)		54482-000-10	\$14.00
	Actuator Button Spring (10 Pack)		54514-000-10	\$14.00
	Product Documentation Kit		PKG3052	\$15.00

Note:

- For kit items that show additional reference #s in parentheses, the quantity required for 1 lock is included in kit.
- Lubriplate Aero grease is the "only" lubricant that should be used.



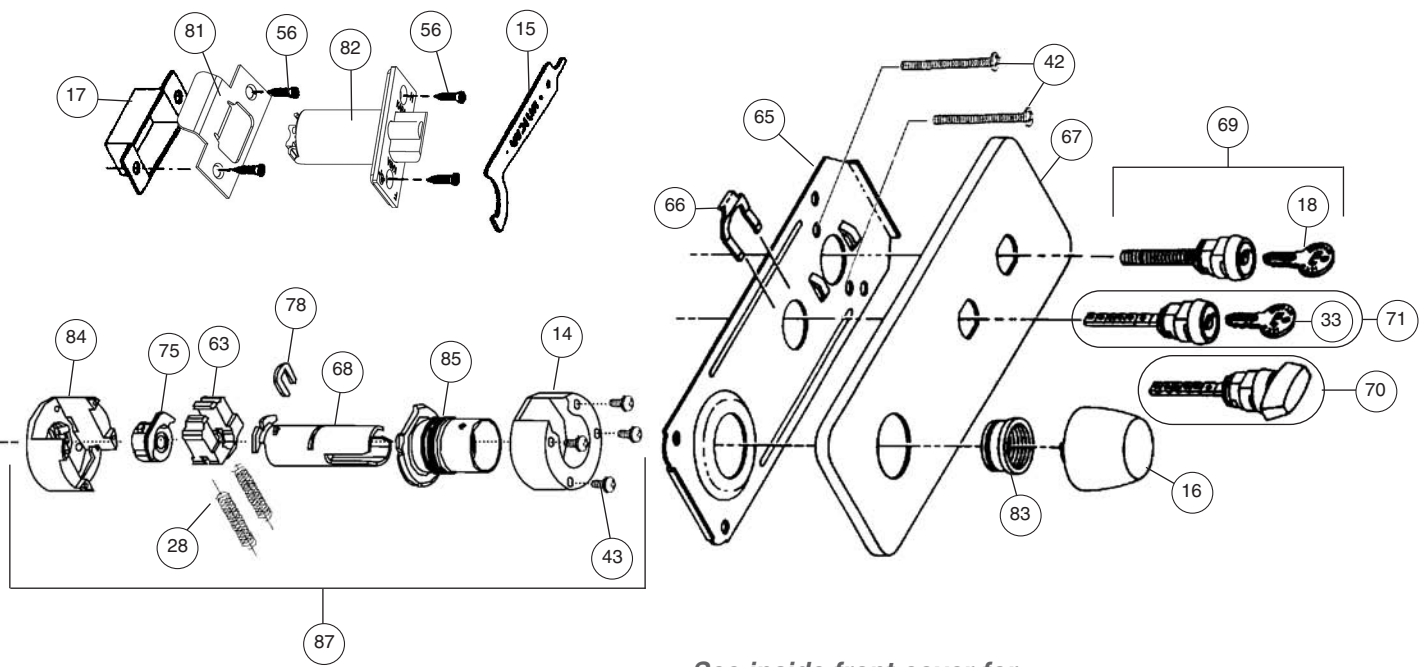
Simplex 1000 Series



Notes: Older model locks used knob insert (27, 31, 48) to the right. Current production is more represented by model on left.

Key Override Models:
Medeco/ASSA/Yale Schlage

Key Override Models:
Best & Equivalents Corbin/Russwin Sargent





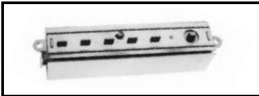

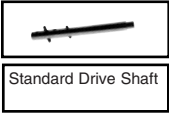



See inside front cover for
How to Order instructions

1000 Series Service Kit

Parts Included in Kit

- Chamber Shaft Bushing
- Clutch Assembly
- Combination Chamber
- Drive Shaft (No Key Override)
- Drive Shaft (Key Override)
- Knob Return Spring
- Stop plate

203035-000-01 \$125.00 each

1000 Series Service Kit		
		
Clutch Assembly	K/O Drive Shaft	Combination Chamber
		
Knob Return Spring	Standard Drive Shaft	Stop Plate
		
Chamber Shaft Bushing	Chamber Shaft Bushing	

1000 Series (continued)

Item	Qty/Lock	Description	Finish	Part Number	List Prices (USD)
1	1	Combination Chamber M-56 / M-63 (Old # 201429-000-01)		74366-000-01	\$81.00
2	5	Pushbuttons (10 pack)	Black	200024-106-10	\$11.00
			Silver	200024-109-10	\$11.00
3	1	Shaft Bushing (5 pack)		200026-000-05	\$10.00
6	1	Clutch Cover Assembly		201009-000-01	\$11.00
7	1	Balance Spring (Includes 1 ea #7, #8)		201016-000-01	\$10.00
8	1	Double Wave Spring (Includes 1 ea #7, #8) (Replaced 201018-000-01)		201016-000-01	\$10.00
9	1	Knob Return Spring (Includes 1 ea #9, #11)		201040-000-01	\$10.00
11	1	Stop Plate Assembly (Includes 1 ea #9, #11)		201040-000-01	\$10.00
12	1	Front Housing	Satin Chrome	201049-26D-01	\$58.00
			Bright Chrome	201049-026-01	\$58.00
			Bright Brass	201049-03-01	\$58.00
			Antique Brass	201049-05-01	\$58.00
13	1	Standard Shaft Assembly Non Key Override		201050-000-01	\$10.00
14	1	Shoe Housing Cover		201277-000-01	\$9.00
15	1	Installation Wrench (spanner wrench) (Includes 1 ea #15, #18)		201278-000-01	\$9.00
16	1	Knob Assembly - No Key Override (Includes spacer) (Old number 201284)	Satin Chrome	34264-26D-01	\$40.00
			Bright Chrome	34264-026-01	\$40.00
			Bright Brass	34264-03-01	\$40.00
			Antique Brass	34264-05-01	\$40.00
17	1	Strike Box (Old Number 55068-000-01)		201287-000-01	\$8.00
18	2	DF-59 Key (Includes 1 ea #15, #18)		201278-000-01	\$9.00
19	1	Clutch Backing Plate		201304-000-01	\$8.00
20	1	Combination Change Stud (Includes 1 ea #20, #21, #26, #40)		201336-000-01	\$11.00
21	1	Combination Change Sleeve (Includes 1 ea #20, #21, #26, #40)		201336-000-01	\$11.00
22	1	Retainer Clip (For Front Knob) (5 pack)		201343-000-05	\$10.00
23	1	Chamber Release Kit (For models with passage set) (Includes 1 ea #23, #24, #25, #40)		201825-000-01	\$18.00
24	1	Chamber Release Cam Kit (For models with passage set) (Includes 1 ea #23, #24, #25, #40)		201825-000-01	\$18.00
25	1	Cam lever actuator stud; Bushing Kit (For models with passage set) (Includes 1 ea #23, #24, #25, #40)		201825-000-01	\$18.00
26	1	Combination Change Sleeve Washer (Includes 1 ea #20, #21, #26, #40)		201336-000-01	\$11.00
27	1	Knob Insert (Also fits Falcon / Arrow / Eagle / KSP / Lloyd Matheson) (used with 201382)		201365-000-01	\$15.00
28	2	Shoe Spring (For Cylindrical Drive Unit) (10 pack)		201366-000-10	\$9.00
29	1	Best Knob Key Override Assembly - (Also fits Falcon / Arrow / Eagle / KSP / Lloyd Matheson) Removable core not included (Old number 201382-000-01)	Satin Chrome	34263-26D-01	\$70.00
			Bright Chrome	34263-026-01	\$70.00
			Bright Brass	34263-03-01	\$70.00
			Antique Brass	34263-05-01	\$70.00
30	1	Best Drive Sleeve Assembly (Also fits Falcon / Arrow / Eagle / KSP / Lloyd Matheson) (Includes 1 ea #22, #30)		201391-000-01	\$27.00
31	1	Corbin / Russwin Knob Insert (used with 201523)		201414-000-01	\$15.00
32	1	Corbin / Russwin Drive Sleeve Assembly (Includes 1 ea #22, #30)		201421-000-01	\$27.00
33	2	Key DF-5 (For Models with passage set) (2 pack)		201422-000-02	\$7.00
34	1	Shaft Self-aligning Bushing (For Models 1021 & 1041)		201425-000-01	\$9.00
35	1	Clutch Sub-assembly (Includes 1 ea #7, #8, #35)		201430-000-01	\$34.00
38	1	Roll Pin (Upper Pin) 0.100" (2.5 mm) dia. (Includes 1 ea #38, #57; 2 ea #42, #86; 4 ea #44, #45, #56, #79)	Satin Chrome	204210-26D-01	\$10.00
			Bright Chrome	204210-03-01	\$10.00
			Antique Brass	204210-05-01	\$10.00
39	1	Back Plate Sub-assembly (Includes 1 ea #20, #21, #26, #37, #40)		201439-000-01	\$21.00
40	2	Retainer Ring 3/8" (9 mm) (For passage set and combination change sleeve) (10 pack)		201440-000-10	\$6.00
42	2	Screw 8-32 x 2 1/2" (64 mm) (For mounting lock to door) (Includes 1 ea #38, #57; 2 ea #42, #86; 4 ea #44, #45, #56, #79)	Satin Chrome	204210-26D-01	\$10.00
			Bright Brass	204210-03-01	\$10.00
			Antique Brass	204210-05-01	\$10.00
43	4	Sems Screw Phillips 6-32 x 1/4" (6 mm) R.H.M.S. (For shoe housing cover)		201446-000-10	\$7.00
44	4	Sems Screw Phillips 8-32 x 7/16" (11 mm) R.H.M.S. (For spacer) (Includes 1 ea #38, #57; 2 ea #42, #86; 4 ea #44, #45, #56, #79)	Satin Chrome	204210-26D-01	\$10.00
			Bright Brass	204210-03-01	\$10.00
			Antique Brass	204210-05-01	\$10.00
45	4	Sems Screw, Phillips 8-32 x 1 1/4" (17 mm) R.H.M.S. (For spacer) (Includes 1 ea #38, #57; 2 ea #42, #86; 4 ea #44, #45, #56, #79)	Satin Chrome	204210-26D-01	\$10.00
			Bright Brass	204210-03-01	\$10.00
			Antique Brass	204210-05-01	\$10.00
46	1	Drive Sleeve Assembly - No Key Override (Old # 201062-045-01) (Includes 1 ea #22, #46)		201499-000-01	\$17.00

1000 Series (continued)

Item	Qty/Lock	Description	Finish	Part Number	List Prices (USD)
47	1	Corbin / Russwin Knob Key Override Assembly Removable core not included (Old #201523) (Includes Spacer)	Satin Chrome	34265-26D-01	\$70.00
			Bright Chrome	34265-026-01	\$70.00
			Bright Brass	34265-03-01	\$70.00
			Antique Brass	34265-05-01	\$70.00
48	1	Sargent Knob Insert (used with 201526)		201524-000-01	\$15.00
49	1	Sargent Knob Key Override Assembly (Old #201526) Removable core not included (Includes Spacer)	Satin Chrome	34266-26D-01	\$70.00
			Bright Chrome	34266-026-01	\$70.00
			Bright Brass	34266-03-01	\$70.00
			Antique Brass	34266-05-01	\$70.00
50	1	Sargent Drive Sleeve Assembly (Includes 1 ea #22, #50)		201530-000-01	\$27.00
51	1	Key Override Shaft Assembly (Old #201267-045-01)		201547-000-01	\$11.00
52	1	Medeco / ASSA / Yale Drive Sleeve Assembly (Use spacer # 201569 and #203054 for 5-6pin Medeco / ASSA cylinders) (Includes 1 ea #22, #52)		201548-000-01	\$49.00
53	1	Medeco / ASSA / Yale Knob Key Override Assembly. Removable core not included. (Use spacer #201569 and #203054 for 5-6pin Medeco / ASSA cylinders) (old # 201517)	Satin Chrome	34268-26D-01	\$70.00
			Bright Chrome	34268-026-01	\$70.00
			Bright Brass	34268-03-01	\$70.00
			Antique Brass	34268-05-01	\$70.00
54	1	Schlage Drive Sleeve Assembly (Old # 201559-045-01) (Includes 1 ea #22, #54)		201555-000-01	\$49.00
55	1	Schlage Knob Key Override Assembly. Removable core not included	Satin Chrome	34267-26D-01	\$70.00
			Bright Chrome	34267-026-01	\$70.00
			Bright Brass	34267-03-01	\$70.00
			Antique Brass	34267-05-01	\$70.00
56	4	Combination Screw; Phillips 8-32 x 3/4" (19 mm) (For Latch & Strike Plate) (10 pack)	Satin Chrome	201565-26D-10	\$10.00
			Bright Brass	201565-03-10	\$10.00
			Antique Brass	201565-05-10	\$10.00
57	1	Rubber Bumper (For Door Frame) (Self adhesive strip of 4) (5 pack)		201568-000-05	\$10.00
58	1	Medeco Knob Spacer (For 5 and 6-pin Medeco / ASSA)		201569-000-01	\$15.00
62	1	ASSA Drive Sleeve Assembly (Includes 1 ea #22, #62)		201609-000-01	\$49.00
63	1	Shoe (Old # 201272-000-01)		201723-000-01	\$10.00
64	1	Unified Trim Plate - Standard (Not shown in exploded view)	Satin Chrome	201736-26D-01	\$28.00
			Bright Chrome	201736-026-01	\$28.00
			Bright Brass	201736-03-01	\$28.00
			Antique Brass	201736-05-01	\$28.00
65	1	Reinforcing Plate		201738-000-01	\$11.00
66	1	Spring Clip (For passage set) (10 pack)		201740-000-10	\$10.00
67	1	Unified Trim Plate (For Passage set Models)	Satin Chrome	201745-26D-01	\$28.00
			Bright Chrome	201745-026-01	\$28.00
			Bright Brass	201745-03-01	\$28.00
			Antique Brass	201745-05-01	\$28.00
68	1	Inside Sleeve Assembly (Includes 1 ea #68, #78) (Old #201275-045-01)		201782-000-01	\$13.00
69	1	Combination Change Plug Assembly with (2) DF59 keys	Satin Chrome	201787-26D-01	\$14.00
			Bright Brass	201787-03-01	\$14.00
			Antique Brass	201787-05-01	\$14.00
70	1	Passage Set Thumb Turn Plug Assembly	Satin Chrome	201807-26D-01	\$15.00
			Bright Brass	201807-03-01	\$15.00
			Antique Brass	201807-05-01	\$15.00
71	1	Passage Set Key Turn Plug Assembly (with (2) DF5 keys)	Satin Chrome	201818-26D-01	\$15.00
			Bright Brass	201818-03-01	\$15.00
			Antique Brass	201818-05-01	\$15.00
72	2	Sems Screw Phillips 6-32 x 7/16" (11 mm) R.H.M.S. (For clutch cover) (Includes 10 ea. #72, #73, #74)		64776-000-01	\$10.00
73	2	Sems Screw Phillips 6-32 x 5/16" (8 mm) R.H.M.S. (For combination chamber & clutch backing plate) (Includes 10 ea. #72, #73, #74)		64776-000-01	\$10.00
74	6	Screw - Phillips 6-32 x 3/8" (10 mm) F.H.M.S. (For back plate) (Replaces 201444-022-10) (Includes 10 ea. #72, #73, #74)		64776-000-01	\$10.00
75	1	Drive Insert (Old # 201218-000-01)		204015-000-01	\$21.00
78	1	Retainer Clip (For Inside Knob) (5 pack)		204120-000-05	\$10.00
79	4	Sems Screw Phillips 8-32 x 5/16" (5 mm) R.H.M.S. (For spacer) (Old # 201449) (Includes 1 ea #38, #57; 2 ea #42, #86; 4 ea #44, #45, #56, #79)	Satin Chrome	204210-26D-01	\$10.00
			Bright Brass	204210-03-01	\$10.00
			Antique Brass	204210-05-01	\$10.00
80	1	Spacer (Passage Feature for 1031 + 1041 Models) (Not shown in exploded view) (10 pack)		204160-000-10	\$10.00
81	1	Standard "T" Strike Plate (Old # 201288 or 204167)	Satin Chrome	204227-26D-01	\$9.00
			Bright Brass	204227-03-01	\$10.00
			Antique Brass	204227-05-01	\$9.00
			Bright Chrome	204227-026-01	\$10.00

1000 Series (continued)

Item	Qty/Lock	Description	Finish	Part Number	List Prices (USD)
82	1	1/2" (13 mm) Floating Front Throw Latch 2 3/4" (70 mm) Backset	Satin Chrome	204168-26D-01	\$31.00
			Bright Brass	204168-03-01	\$31.00
			Antique Brass	204168-05-01	\$31.00
83	1	Thread Ring (Old # 201282)	Satin Chrome	204169-26D-01	\$11.00
			Bright Brass	204169-03-01	\$11.00
			Antique Brass	204169-05-01	\$11.00
84	1	Shoe Retainer and Bridge Assembly		204199-000-01	\$33.00
85	1	Shoe Retainer Cap Assembly	Satin Chrome	204200-26D-01	\$27.00
			Bright Chrome	204200-026-01	\$27.00
			Bright Brass	204200-03-01	\$27.00
			Antique Brass	204200-05-01	\$27.00
86	1	1/4" Spacer, Door Thickness Kit (Includes 1 ea #38, #57; 2 ea #42, #86; 4 ea #44, #45, #56, #79)	Satin Chrome	204210-26D-01	\$10.00
			Bright Brass	204210-03-01	\$10.00
			Antique Brass	204210-05-01	\$10.00
87	1	Cylindrical Drive Unit Assembly (Includes 1 ea. #14, #63, #68, #75, #78, #84, #85; 2 ea #28; 4 ea #43)	Satin Chrome	204202-26D-01	\$94.00
			Bright Chrome	204202-026-01	\$94.00
			Bright Brass	204202-03-01	\$94.00
			Antique Brass	204202-05-01	\$94.00
88	1	Back Plate Assembly (Includes 1 ea #39, #86, #87; 4 ea #44) (Not shown in exploded view)	Satin Chrome	204203-26D-01	\$106.00
			Bright Brass	204203-03-01	\$106.00
			Antique Brass	204203-05-01	\$106.00
89	1	Screw Pack (Includes 1 ea #38, #57; 2 ea #42, #86; 4 ea #44, #45, #56, #79) (Not shown in exploded view)	Satin Chrome	204210-26D-11	\$10.00
			Bright Brass	204210-03-11	\$10.00
			Antique Brass	204210-05-11	\$10.00
90	1	Installation Hardware Kit (Includes 1 ea #15, #17, #69, #81, #83, #89; 2 ea #86) (Not shown in exploded view)	Satin Chrome	204211-26D-11	\$35.00
			Bright Brass	204211-03-11	\$35.00
			Antique Brass	204211-05-11	\$35.00

1000 Series Parts

Description	Finish	Part Number	List Prices (USD)
Lubriplate Aero Grease Tubes		64754-000-01	\$12.00
3/4" (19mm) Brass Latch - carries 3-hour UL/ULC fire rating for "A" labeled doors. 2 3/4" (70 mm) backset. Beveled front.	Bright Brass	201144-03-01	\$53.00
	Antique Brass	201144-05-01	\$50.00
	Satin Chrome	201144-26D-01	\$50.00
Best Equivalent Removable Core Cylinder (Sold international only, not available for U.S.)	Bright Brass	201484-03-01	\$44.00
	Antique Brass	201484-05-01	\$42.00
	Satin Chrome	201484-26D-01	\$42.00
3/4" (19 mm) Flat Front Latch - carries 3-hour UL/ULC fire rating for "A" labeled doors. 2 3/4" (70 mm) backset	Bright Brass	201605-03-01	\$53.00
	Antique Brass	201605-05-01	\$50.00
	Satin Chrome	201605-26D-01	\$50.00
ASA Roller Strike (For 4 7/8" (105 mm) long cutout) (old #1000-14-26D)	Bright Brass	201821-03-01	\$36.00
	Antique Brass	201821-05-01	\$34.00
	Satin Chrome	201821-26D-01	\$34.00
3/4" (19 mm) Brass Latch - carries 3-hour UL/ULC fire rating for "A" labeled doors. 2 3/4" (70 mm) backset. Beveled front. (For L1076 privacy Model only)	Bright Brass	204004-03-01	\$53.00
	Antique Brass	204004-05-01	\$50.00
	Satin Chrome	204004-26D-01	\$50.00
ASA Strike (For 4 7/8" (105 mm) long cutout) (Old # 201413 or 1000-15-26D)	Bright Brass	204119-03-01	\$10.00
	Antique Brass	204119-05-01	\$9.00
	Satin Chrome	204119-26D-01	\$9.00
1/2" (13 mm) Brass Latch - carries 3-hour UL/ULC fire rating for "A" labeled doors. 2 3/4" (70 mm) backset. Floating front face. (old # 55071)	Satin Chrome	204168-26D-01	\$31.00
	Bright Brass	204168-03-01	\$31.00
	Antique Brass	204168-05-01	\$31.00
1/2" (13 mm) Brass Latch - carries 3-hour UL/ULC fire rating for "A" labeled doors. 2 3/4" (70 mm) backset. Fixed beveled front face.	Satin Chrome	55071-26D-01	\$31.00
	Bright Brass	55071-03-01	\$31.00
	Antique Brass	55071-05-01	\$31.00

Removable core cylinders are not included. Best equivalent core is available – see above.

Note: Lubriplate Aero grease is the "only" lubricant that should be used.

1000 Series Knob *(continued)*

Conversion Assemblies

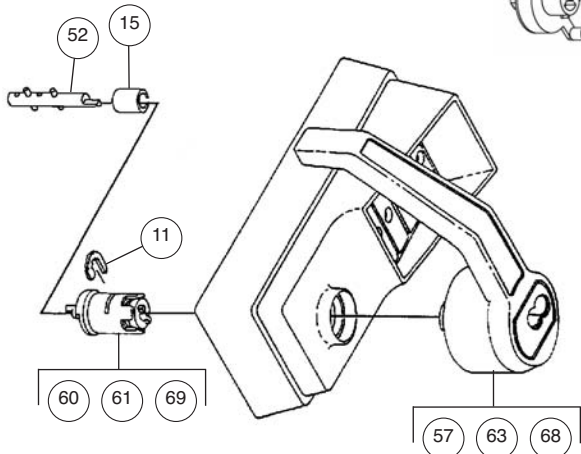
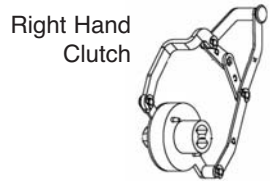
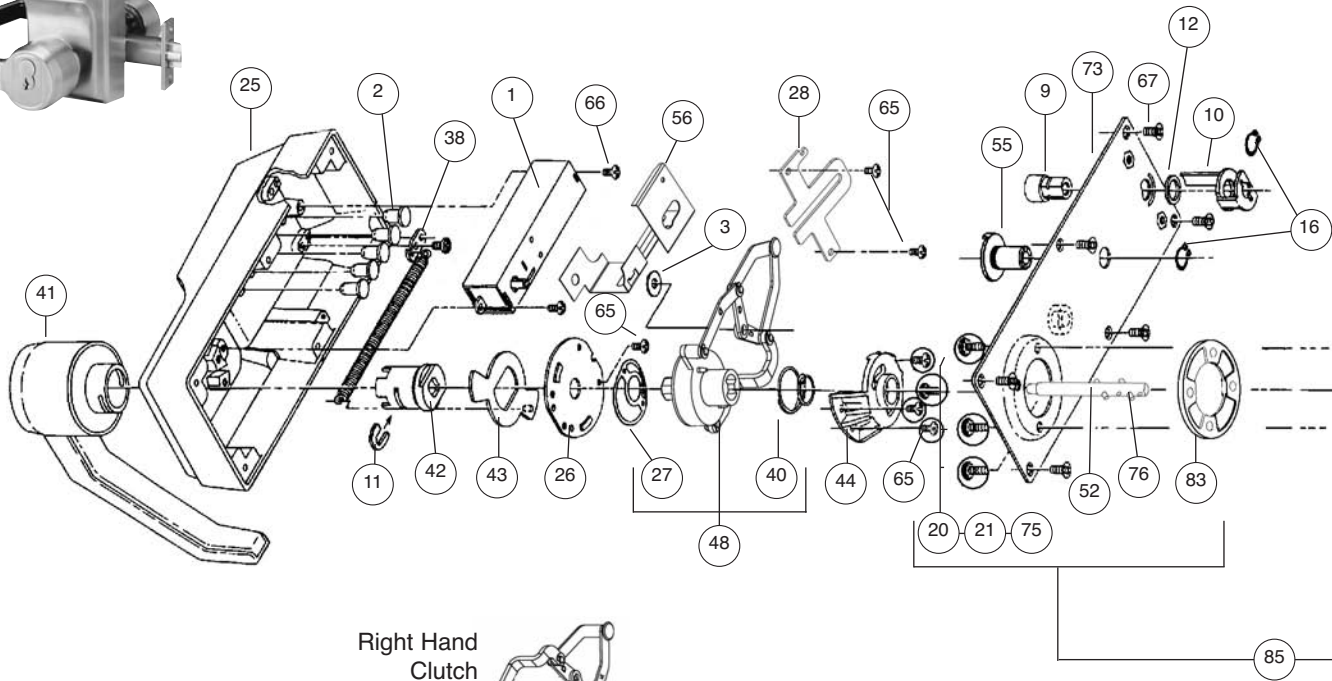
Use these conversion assemblies to convert an existing 1000 Series lock from standard to key override, or from one key override to another.

Description	Finish	Part Number	List Prices (USD)
Corbin / Russwin Conversion Assembly (C) (Includes 1 ea #22, #32, #34, #47, #51)	Satin Chrome	34265-26D-01	\$125.00
	Bright Chrome	34265-026-01	\$131.00
	Bright Brass	34265-03-01	\$131.00
	Antique Brass	34265-05-01	\$125.00
Best / Falcon / Arrow / Eagle / KSP / Lloyd Matheson Conversion Assembly (B) (Includes 1 ea #22, #29, #30, #34, #51)	Satin Chrome	34263-26D-01	\$125.00
	Bright Chrome	34263-026-01	\$131.00
	Bright Brass	34263-03-01	\$131.00
	Antique Brass	34263-05-01	\$125.00
ASSA / Medeco / Yale Conversion Assembly-Request Spacer 201569 for 5-pin Medeco. (M) (Includes 1 ea #22, #34, #51, #52, #53)	Satin Chrome	34268-26D-01	\$125.00
	Bright Chrome	34268-026-01	\$131.00
	Bright Brass	34268-03-01	\$131.00
	Antique Brass	34268-05-01	\$125.00
Sargent Conversion Assembly (R) (Includes 1 ea #22, #34, #49, #50, #51)	Satin Chrome	34266-26D-01	\$125.00
	Bright Chrome	34266-026-01	\$131.00
	Bright Brass	34266-03-01	\$131.00
	Antique Brass	34266-05-01	\$125.00
Schlage Conversion Assembly (S) (Includes 1 ea #22, #34 #51, #54, #55)	Satin Chrome	34267-26D-01	\$125.00
	Bright Chrome	34267-026-01	\$131.00
	Bright Brass	34267-03-01	\$131.00
	Antique Brass	34267-05-01	\$125.00

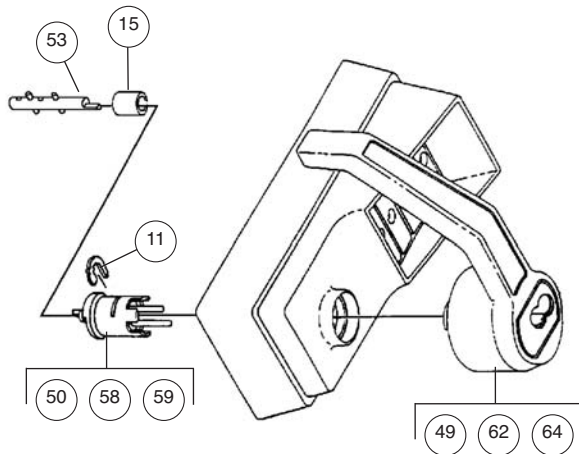
Time Mode Option Replacement Parts

Pneumatic Timer with Microswitch	200210-000-01	\$117.00
Modified Chamber Link	201575-000-01	\$22.00
Pneumatic Timer without Microswitch	201577-000-01	\$90.00
Spacer	201578-000-01	\$5.00
Modified Cover Plate Assembly	201580-000-01	\$31.00

Simplex L1000 Series

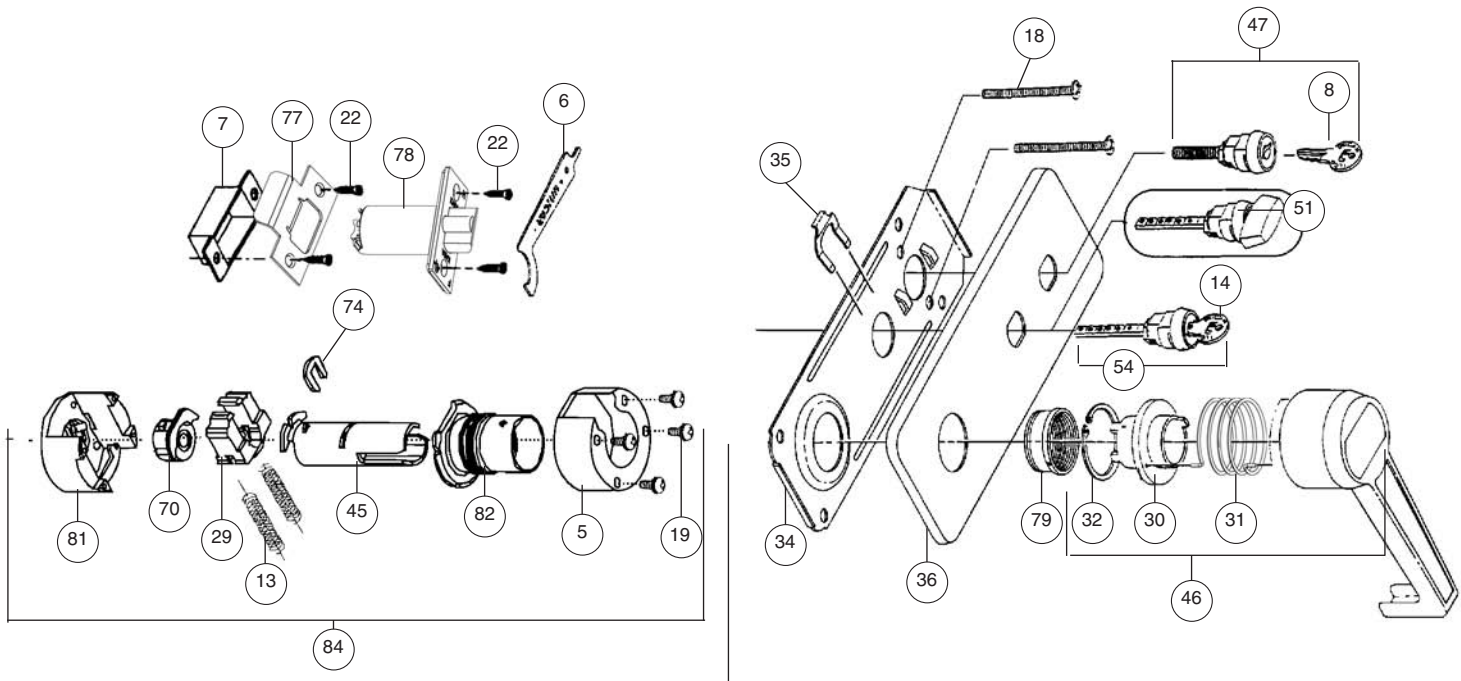


Key Override Models:
 Medeco/ASSA/Yale
 Schlage



Key Override Models:
 Best & Equivalents
 Corbin/Ruswin
 Sargent

*See inside front cover for
 How to Order instructions*



L1000 Series Service Kit



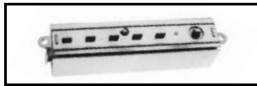
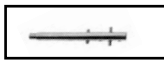
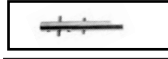

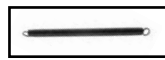

Parts Included in Kit

- Chamber Shaft Bushing
- Clutch Assembly
- Combination Chamber
- Drive Shaft (No Key Override)
- Drive Shaft (key Override)
- Extension Spring
- Fixed Sleeve
- Stop Plate

Left Hand: 203038-000-01 \$165.00 each

Right Hand: 203037-000-01 \$165.00 each

LH L1000 Series Service Kit

 LH Clutch Assembly	 Fixed Sleeve	 Combination Chamber
 Standard Drive Shaft	 K/O Drive Shaft	 Chamber Shaft Bushing
 Lever Return Spring	 LH Stop Plate	

Left Hand Kit Shown

L1000 Series (continued)

Item	Qty/Lock	Description	Finish	Part Number	List Prices (USD)
1	1	Combination Chamber (M-63/M-56) (Old # 201764-000-0)		74366-000-01	\$81.00
2	5	Pushbuttons (10 pack)	Black	200024-106-10	\$11.00
			Silver	200024-109-10	\$11.00
3	1	Bushing, Shaft (5 pack)		200026-000-05	\$10.00
5	1	Cover for Shoe Housing		201277-000-01	\$9.00
6	1	Installation Wrench (spanner wrench) (Includes 1 ea #6, #8)		201278-000-01	\$9.00
7	1	Strike Box		201287-000-01	\$8.00
8	2	DF-59 Key (Includes #6, #8)		201278-000-01	\$9.00
9	1	Combination Change Stud Kit (Includes 1 ea #9, #10, #12, #16)		201336-000-01	\$11.00
10	1	Combination Change Sleeve Kit (Includes 1 ea #9, #10, #12, #16)		301336-000-01	\$11.00
11	1	Front Knob Retainer Clip (5 Pack)		201343-000-05	\$10.00
12	1	Combination Change Sleeve Washer Kit (Includes 1 ea #9, #10, #12, #16)		201336-000-01	\$11.00
13	2	Shoe Spring (For Cylindrical Drive Unit) (10 pack)		201366-000-10	\$9.00
14	2	Key DF-5 (For Passage Set) (2 pack)		201422-000-02	\$7.00
15	1	Shaft Self-Aligning Bushing (For Models 1021 & 1041)		201425-000-01	\$9.00
16	2	Retainer Ring 3/8" I.D. (10 pack)		201440-000-10	\$6.00
18	2	Screw, 8-32 x 2 1/2" (For Mounting) (Includes 1 ea #23, #76; 2 ea #18, #83; 4 ea #20, 21, #22, #75)	Satin Chrome	204210-26D-01	\$10.00
			Bright Brass	204210-03-01	\$10.00
			Antique Brass	204210-05-01	\$10.00
19	4	Sems Screw, Phillips 6-32 x 1/4" R.H.M.S. (For Shoe Housing Cover) (10 pack)		201446-000-01	\$7.00
20	4	Sems Screw, Phillips 8-32 x 7/16" R.H.M.S. (For Spacer) (Includes 1 ea #23, #76; 2 ea #18, #83; 4 ea #20, 21, #22, #75)	Satin Chrome	204210-26D-01	\$10.00
			Bright Brass	204210-03-01	\$10.00
			Antique Brass	204210-05-01	\$10.00
21	4	Sems Screw, Phillips 8-32 x 5/16" R.H.M.S (For Spacer) (Includes 1 ea #23, #76; 2 ea #18, #83; 4 ea #20, 21, #22, #75)	Satin Chrome	204210-26D-01	\$10.00
			Bright Brass	204210-03-01	\$10.00
			Antique Brass	204210-05-01	\$10.00
22	4	Combination Screw, Phillips 8-32 x 3/4" (For latch and strike plate) (10 pack)	Satin Chrome	201565-26D-10	\$10.00
			Bright Brass	201565-03-10	\$10.00
			Antique Brass	201565-05-10	\$10.00
23	1	Rubber Bumper (For Door Frame) (Self Adhesive Strip of 4) (5 pack)		201568-000-05	\$10.00
24	1	Spacer for Medeco 5 - 6 pin Medeco/ASSA		201569-000-01	\$15.00
25	1	Front Lock Housing	Satin Chrome	201700-26D-01	\$72.00
			Bright Chrome	201700-026-01	\$72.00
			Bright Brass	201700-03-01	\$72.00
			Antique Brass	201700-05-01	\$72.00
26	1	Clutch Backing Plate		201708-000-01	\$8.00
27	1	Double Wave Spring (Includes 1 ea #27, #40)		201768-000-01	\$10.00
28	1	Guide Bracket		201721-000-01	\$8.00
29	1	Retractor Shoe		201723-000-01	\$10.00
30	1	Inside Lever Fixed Sleeve RH (Includes 1 ea #30, #31, #32) LH (Includes 1 ea #30, #31, #32)		201727-000-01	\$36.00
				201733-000-01	\$36.00
31	1	Inside Lever Coil Return Spring RH LH		201730-000-01	\$10.00
				201732-000-01	\$10.00
32	1	Inside Lever Fixed Sleeve Retainer Clip		201734-000-01	\$7.00
33	1	Unified Trim Plate - Standard (Not Shown on Exploded View)	Satin Chrome	201736-26D-01	\$28.00
			Bright Chrome	201736-026-01	\$28.00
			Bright Brass	201736-03-01	\$28.00
			Antique Brass	201736-05-01	\$28.00
34	1	Reinforcing Plate		201738-000-01	\$11.00
35	1	Spring Clip (For passage set) (10 pack)		201740-000-10	\$9.00
36	1	Unified Trim Plate - Passage Set Model	Satin Chrome	201745-26D-01	\$28.00
			Bright Chrome	201745-026-01	\$28.00
			Bright Brass	201745-03-01	\$28.00
			Antique Brass	201745-05-01	\$28.00
38	1	Outside Lever Return Spring Kit RH (Includes 1 ea #38, #43) LH (Includes 1 ea #38, #43)		201773-000-01	\$14.00
				201774-000-01	\$14.00
40	1	Balance Spring (Includes 1 ea #27, #40)		201768-000-01	\$10.00
41	1	Outside Lever Handle Assembly Non Key Override* RH	Satin Chrome	201770-26D-01	\$99.00
			Bright Chrome	201770-026-01	\$99.00
			Bright Brass	201770-03-01	\$99.00
			Antique Brass	201770-05-01	\$99.00
	LH	Satin Chrome	201771-26D-01	\$99.00	
		Bright Chrome	201771-026-01	\$99.00	
		Bright Brass	201771-03-01	\$99.00	
		Antique Brass	201771-05-01	\$99.00	

*When ordering an outside lever assembly for older locks, it may be necessary to order a respective outside drive sleeve assembly. (See Conversion Assemblies)

L1000 Series (continued)

Item	Qty/Lock	Description	Finish	Part Number	List Prices (USD)
42	1	Outside Drive Sleeve Assembly Non Key Override (Includes 1 ea #11, #42)		201772-000-01	\$22.00
43	1	Stop Plate Assembly Kit (Includes 1 ea #38, #43)	RH	201773-000-01	\$14.00
			LH	201774-000-01	\$14.00
44	1	Clutch Cover Assembly	RH	201780-000-01	\$11.00
			LH	201781-000-01	\$11.00
45	1	Inside Drive Sleeve Assembly (Includes 1 ea #45, #74)		201782-000-01	\$13.00
46	1	Inside Lever Assembly RH (Includes 1 ea #30, #31, #32)	Satin Chrome	201785-26D-01	\$125.00
			Bright Chrome	201785-026-01	\$125.00
			Bright Brass	201785-03-01	\$125.00
			Antique Brass	201785-05-01	\$125.00
	LH (Includes 1 ea #30, #31, #32)	LH	Satin Chrome	201786-26D-01	\$125.00
		Bright Chrome	201786-026-01	\$125.00	
		Bright Brass	201786-03-01	\$125.00	
		Antique Brass	201786-05-01	\$125.00	
47	1	Combination Change Plug Assembly with (2) DF59 keys (Includes 2 ea #8)	Satin Chrome	201785-26D-01	\$15.00
			Bright Brass	201787-03-01	\$15.00
			Antique Brass	201787-05-01	\$15.00
48	1	Clutch Assembly (Includes 1 ea #27, #40, #48)	RH	201788-000-01	\$50.00
			LH	201789-000-01	\$50.00
49	1	Best Outside Lever Assembly* (Also fits Falcon / Arrow / Eagle & KSP / Lloyd Matheson Removable Core) RH	Satin Chrome	201790-26D-01	\$152.00
			Bright Chrome	201790-026-01	\$152.00
			Bright Brass	201790-03-01	\$152.00
			Antique Brass	201790-05-01	\$152.00
	LH	Satin Chrome	201791-26D-01	\$152.00	
		Bright Chrome	201791-026-01	\$152.00	
		Bright Brass	201791-03-01	\$152.00	
		Antique Brass	201791-05-01	\$152.00	
50	1	Best Outside Drive Sleeve Assembly (Also fits Falcon / Arrow / Eagle & KSP / Lloyd Matheson Removable Core) (Includes 1 ea #11, #50)		201792-000-01	\$29.00
51	1	Passage set thumbturn Plug Assembly (Includes 1 ea #35, #51)	Satin Chrome	201807-26D-01	\$15.00
			Bright Brass	201807-03-01	\$15.00
			Antique Brass	201807-05-01	\$15.00
52	1	Drive Shaft Assembly (Standard)		201812-000-01	\$13.00
53	1	Drive Shaft Assembly (Key Override)		201813-000-01	\$18.00
54	1	Passage Set Key Turn Plug Assembly with (2) DF-5 keys	Satin Chrome	201818-26D-01	\$15.00
			Bright Brass	201818-03-01	\$15.00
			Antique Brass	201818-05-01	\$15.00
55	1	Chamber Release Cam (Includes 1 ea #16, #55, #56) (For Passage Set)		201825-000-01	\$18.00
56	1	Chamber Release (Includes 1 ea #16, #55, #56) (For Passage Set)		201825-000-01	\$18.00
57	1	Schlage Outside Lever Assembly RH	Satin Chrome	201829-26D-01	\$166.00
			Bright Chrome	201829-026-01	\$166.00
			Bright Brass	201829-03-01	\$166.00
			Antique Brass	201829-05-01	\$166.00
	LH	Satin Chrome	201830-26D-01	\$166.00	
		Bright Chrome	201830-026-01	\$166.00	
		Bright Brass	201830-03-01	\$166.00	
		Antique Brass	201830-05-01	\$166.00	
58	1	Sargent Outside Drive Sleeve Assembly (Includes 1 ea #11, #58)		201831-000-01	\$42.00
59	1	Corbin / Russwin Outside Drive Sleeve Assembly (Includes 1 ea #11, #59)		201832-000-01	\$42.00
60	1	Schlage Outside Drive Sleeve Assembly (Includes 1 ea #11, #60)		201840-000-01	\$42.00
61	1	Medeco / ASSA / Yale Outside Drive Sleeve Assembly (Old ASSA #204010) (Includes 1 ea #11, #61)		201842-000-01	\$42.00
62	1	Sargent Outside Lever Assembly RH	Satin Chrome	201925-26D-01	\$152.00
			Bright Chrome	201925-026-01	\$152.00
			Bright Brass	201925-03-01	\$152.00
			Antique Brass	201925-05-01	\$152.00
	LH	Satin Chrome	201926-26D-01	\$152.00	
		Bright Chrome	201926-026-01	\$152.00	
		Bright Brass	201926-03-01	\$152.00	
		Antique Brass	201926-05-01	\$152.00	
63	1	Medeco / ASSA / Yale Outside Lever Assembly (Old #s for ASSA 204008 RH, 204009 LH) RH	Satin Chrome	201927-26D-01	\$166.00
			Bright Chrome	201927-026-01	\$166.00
			Bright Brass	201927-03-01	\$166.00
			Antique Brass	201927-05-01	\$166.00
	LH	Satin Chrome	201928-26D-01	\$166.00	
		Bright Chrome	201928-026-01	\$166.00	
		Bright Brass	201928-03-01	\$166.00	
		Antique Brass	201928-05-01	\$166.00	

*When ordering an outside lever assembly for older locks, it may be necessary to order a respective outside drive sleeve assembly.
(See Conversion Assemblies)

L1000 Series (continued)

Item	Qty/Lock	Description	Finish	Part Number	List Prices (USD)
64	1	Corbin / Russwin Outside Lever Assembly RH	Satin Chrome	201929-26D-01	\$152.00
			Bright Chrome	201929-026-01	\$152.00
			Bright Brass	201929-03-01	\$152.00
			Antique Brass	201929-05-01	\$152.00
	LH	Satin Chrome	201930-26D-01	\$152.00	
		Bright Chrome	201930-026-01	\$152.00	
		Bright Brass	201930-03-01	\$152.00	
		Antique Brass	201930-05-01	\$152.00	
65	5	Sems Screw, Phillips 6-32 x 7/16" (11 mm) R.H.M.S. (For clutch cover, clutch backing plate, and guide bracket) (Old # 201448-022-10) (Includes 10 ea #65, #66, #67)		64776-000-01	\$10.00
66	2	Sems Screw, Phillips 6-32 x 5/16" (8 mm) R.H.M.S. (For comb. chamber) (Old # 201447-022-10) (Includes 10 ea #65, #66, #67)		64776-000-01	\$10.00
67	6	Screw Phillips 6-32 x 3/8" F.H.M.S. (For Back Plate) (Old # 201444-022-10) (Includes 10 ea #65, #66, #67)		64776-000-01	\$10.00
69	1	ASSA Outside Drive Sleeve Assembly (Includes 1 ea #11, #69)		204010-000-01	\$42.00
70	1	Drive Insert		204015-000-01	\$21.00
74	1	Inside Knob Retainer Clip (Old # 201344) (5 pack)		204120-000-05	\$10.00
75	4	Sems Screw, Phillips 8-32 x 5/16" R.H.M.S. (For spacer) (Old # 201449) (Includes 1 ea #23, #76; 2 ea #18, #83; 4 ea #20, #21, #22, #75)	Satin Chrome	204210-26D-01	\$10.00
			Bright Brass	204210-03-01	\$10.00
			Antique Brass	204210-05-01	\$10.00
76	1	Cross Pin .100" (2.5 mm) x .500 (1.27 mm) long (Includes 1 ea #23, #76; 2 ea #18, #83; 4 ea #20, #21, #22, #75)	Satin Chrome	204210-26D-01	\$10.00
			Bright Brass	204210-03-01	\$10.00
			Antique Brass	204210-05-01	\$10.00
77	1	Standard "T" Strike Plate (Old # 201288) (204167) (Includes Screws)	Satin Chrome	204227-26D-01	\$9.00
			Bright Chrome	204227-026-01	\$10.00
			Bright Brass	204227-03-01	\$10.00
			Antique Brass	204227-05-01	\$9.00
78	1	1/2" (13 mm) Floating Face Front Throw Latch; 2 3/4" (70 mm) Backset	Satin Chrome	204168-26D-01	\$31.00
			Bright Brass	204168-03-01	\$31.00
			Antique Brass	204168-05-01	\$31.00
79	1	Thread Ring	Satin Chrome	204169-26D-01	\$11.00
			Bright Chrome	204169-026-01	\$11.00
			Bright Brass	204169-03-01	\$11.00
			Antique Brass	204169-05-01	\$11.00
81	1	Shoe Retainer and Bridge Assembly		204199-000-01	\$33.00
82	1	Shoe Retainer Cap Assembly	Satin Chrome	204200-26D-01	\$27.00
			Bright Chrome	204200-026-01	\$27.00
			Bright Brass	204200-03-01	\$27.00
			Antique Brass	204200-05-01	\$27.00
83	1	1/4" Spacer, Door Thickness (Old # 201449) (Includes 1 ea #23, #76; 2 ea #18, #83; 4 ea #20, #21, #22, #75)	Satin Chrome	204210-26D-01	\$10.00
			Bright Brass	204210-03-01	\$10.00
			Antique Brass	204210-05-01	\$10.00
84	1	Cylindrical Drive Unit Assembly (Includes 1 ea #5, #29, #45, #70, #74, #81, #82; 2 ea #13; 4 ea #19)	Satin Chrome	204202-26D-01	\$94.00
			Bright Chrome	204202-026-01	\$94.00
			Bright Brass	204202-03-01	\$94.00
			Antique Brass	204202-05-01	\$94.00
85	1	Back Plate Assembly (Includes 1 ea #73, #83, #84; 4 ea #20) LH	Satin Chrome	204204-26D-01	\$106.00
			Bright Brass	204204-03-01	\$106.00
			Antique Brass	204204-05-01	\$106.00
	RH	Satin Chrome	204205-26D-01	\$106.00	
		Bright Brass	204205-03-01	\$106.00	
Antique Brass	204205-05-01	\$106.00			
86	1	Screw Pack (Includes 1 ea #23, #76; 2 ea #18, #83; 4 ea #20, #21, #22, #75) (Not shown in exploded view)	Satin Chrome	204210-26D-11	\$10.00
			Bright Brass	204210-03-11	\$10.00
			Antique Brass	204210-05-11	\$10.00
87	1	Installation Hardware Kit (Includes 1 ea #6, #7, #47, #77, #79, #86; 2 ea #83) (Not shown in exploded view)	Satin Chrome	204211-26D-11	\$35.00
			Bright Brass	204211-03-11	\$35.00
			Antique Brass	204211-05-11	\$35.00

*When ordering an outside lever assembly for older locks, it may be necessary to order a respective outside drive sleeve assembly. (See Conversion Assemblies)

L1000 Series (continued)

Conversion Assemblies

Use these conversion assemblies to convert an existing L1000 Series lock from standard to key override, or from one cylinder prep. to another.

Description		Finish	Part Number	List Prices (USD)
Schlage Conversion Assembly (S) RH		Satin Chrome	201845-26D-01	\$151.00
		Bright Chrome	201845-026-01	\$160.00
		Bright Brass	201845-03-01	\$160.00
		Antique Brass	201845-05-01	\$151.00
	LH	Satin Chrome	201846-26D-01	\$151.00
		Bright Chrome	201846-026-01	\$160.00
		Bright Brass	201846-03-01	\$160.00
		Antique Brass	201846-05-01	\$151.00
Sargent Conversion Assembly (R) RH		Satin Chrome	201931-26D-01	\$151.00
		Bright Chrome	201931-026-01	\$160.00
		Bright Brass	201931-03-01	\$160.00
		Antique Brass	201931-05-01	\$151.00
	LH	Satin Chrome	201932-26D-01	\$151.00
		Bright Chrome	201932-026-01	\$160.00
		Bright Brass	201932-03-01	\$160.00
		Antique Brass	201932-05-01	\$151.00
Medeco / ASSA / Yale Conversion Assembly - Request Spacers 201569 for 5 - 6 pin Medeco/ASSA. (M) (Old # for ASSA 204013 RH, 204014 LH) RH		Satin Chrome	201933-26D-01	\$151.00
		Bright Chrome	201933-026-01	\$160.00
		Bright Brass	201933-03-01	\$160.00
		Antique Brass	201933-05-01	\$151.00
	LH	Satin Chrome	201934-26D-01	\$151.00
		Bright Chrome	201934-026-01	\$160.00
		Bright Brass	201934-03-01	\$160.00
		Antique Brass	201934-05-01	\$151.00
Best / Falcon / Arrow / Eagle / KSP / Lloyd Matheson Conversion Assembly (B) RH		Satin Chrome	201935-26D-01	\$151.00
		Bright Chrome	201935-026-01	\$160.00
		Bright Brass	201935-03-01	\$160.00
		Antique Brass	201935-05-01	\$151.00
	LH	Satin Chrome	201936-26D-01	\$151.00
		Bright Chrome	201936-026-01	\$160.00
		Bright Brass	201936-03-01	\$160.00
		Antique Brass	201936-05-01	\$151.00
Corbin / Russwin Conversion Assembly (C) RH		Satin Chrome	201937-26D-01	\$151.00
		Bright Chrome	201937-026-01	\$160.00
		Bright Brass	201937-03-01	\$160.00
		Antique Brass	201937-05-01	\$151.00
	LH	Satin Chrome	201938-26D-01	\$151.00
		Bright Chrome	201938-026-01	\$160.00
		Bright Brass	201938-03-01	\$160.00
		Antique Brass	201938-05-01	\$151.00

L1000 Series (continued)

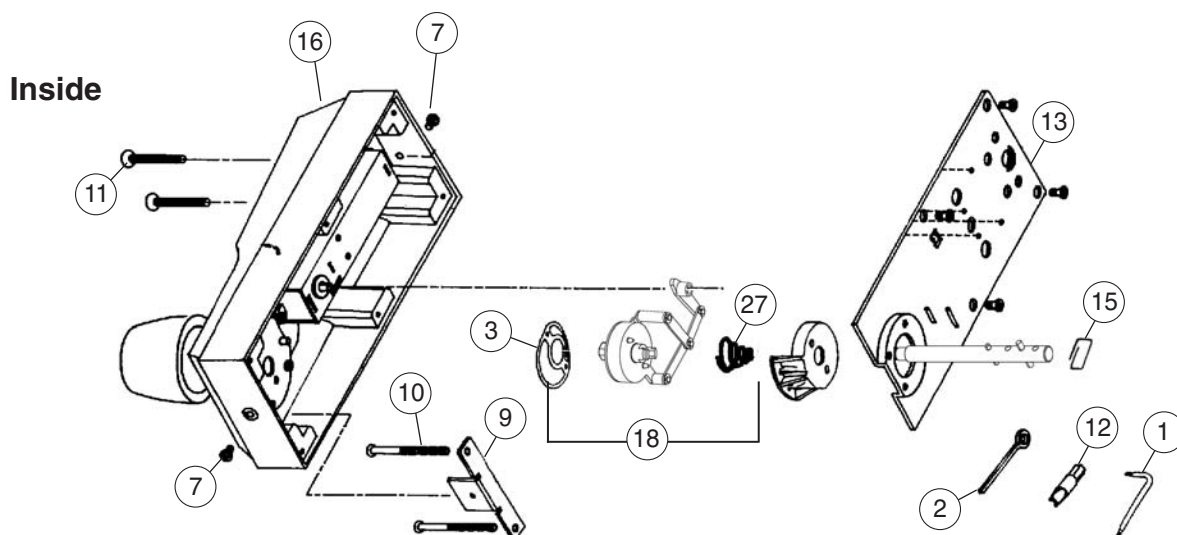
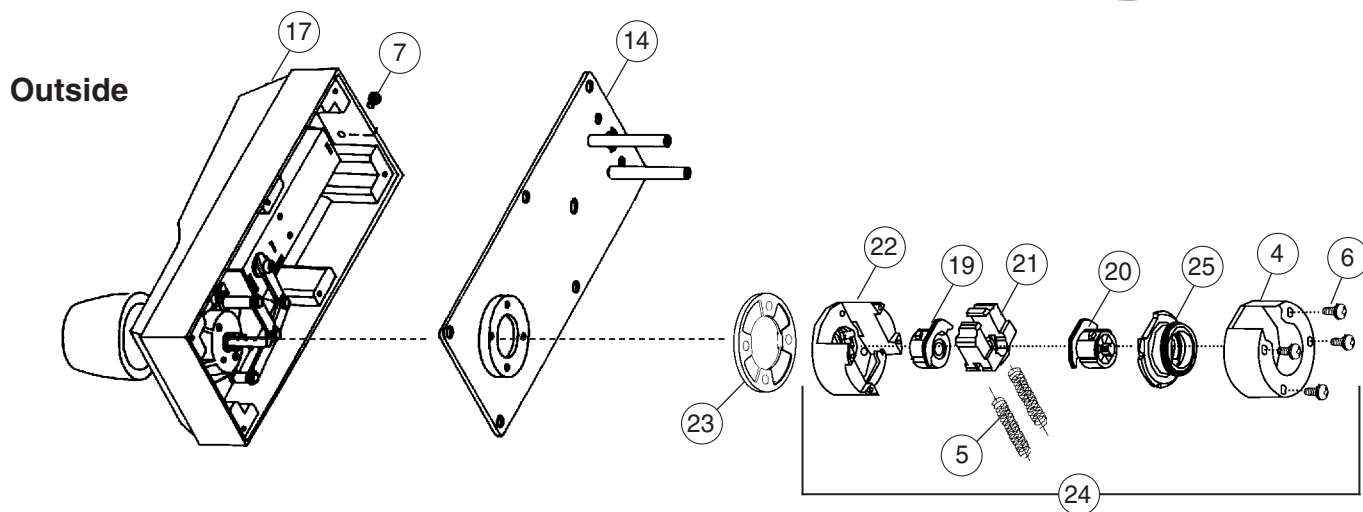
L1000 Series Parts

Description	Finish	Part Number	List Prices (USD)
Lubriplate Aero Grease Tubes		64754-000-01	\$12.00
3/4" (19mm) Brass Latch - carries 3-hour UL/ULC fire rating for "A" labeled doors. 2 3/4" (70 mm) backset. Beveled front.	Bright Brass	201144-03-01	\$53.00
	Antique Brass	201144-05-01	\$50.00
	Satin Chrome	201144-26D-01	\$50.00
Best Equivalent Removable Core Cylinder. (Sold international only, not available for U.S.)	Bright Brass	201484-03-01	\$44.00
	Antique Brass	201484-05-01	\$42.00
	Satin Chrome	201484-26D-01	\$42.00
3/4" (19 mm) Flat Front Latch - carries 3-hour UL/ULC fire rating for "A" labeled doors. 2 3/4" (70 mm) backset	Bright Brass	201605-03-01	\$53.00
	Antique Brass	201605-05-01	\$50.00
	Satin Chrome	201605-26D-01	\$50.00
ASA Roller Strike (For 4 7/8" (105 mm) long cutout) (old #1000-14-26D)	Bright Brass	201821-03-01	\$36.00
	Antique Brass	201821-05-01	\$34.00
	Satin Chrome	201821-26D-01	\$34.00
3/4" (19 mm) Brass Latch - carries 3-hour UL/ULC fire rating for "A" labeled doors. 2 3/4" (70 mm) backset. Beveled front. (For L1076 privacy Model only)	Bright Brass	204004-03-01	\$53.00
	Antique Brass	204004-05-01	\$50.00
	Satin Chrome	204004-26D-01	\$50.00
ASA Strike (For 4 7/8" (105 mm) long cutout) (Old # 201413 or 1000-15-26D)	Bright Brass	204119-03-01	\$10.00
	Antique Brass	204119-05-01	\$9.00
	Satin Chrome	204119-26D-01	\$9.00
1/2" (13 mm) Brass Latch - carries 3-hour UL/ULC fire rating for "A" labeled doors. 2 3/4" (70 mm) backset. Floating front face. (old # 55071)	Satin Chrome	204168-26D-01	\$31.00
	Bright Brass	204168-03-01	\$31.00
	Antique Brass	204168-05-01	\$31.00
1/2" (13 mm) Brass Latch - carries 3-hour UL/ULC fire rating for "A" labeled doors. 2 3/4" (70 mm) backset. Fixed beveled front face.	Satin Chrome	55071-26D-01	\$31.00
	Bright Brass	55071-03-01	\$31.00
	Antique Brass	55071-05-01	\$31.00

Removable core cylinders are not included. Best equivalent core is available – see above.

Note: Lubriplate Aero grease is the "only" lubricant that should be used.

Simplex EE1000 Series



See inside front cover for
How to Order instructions

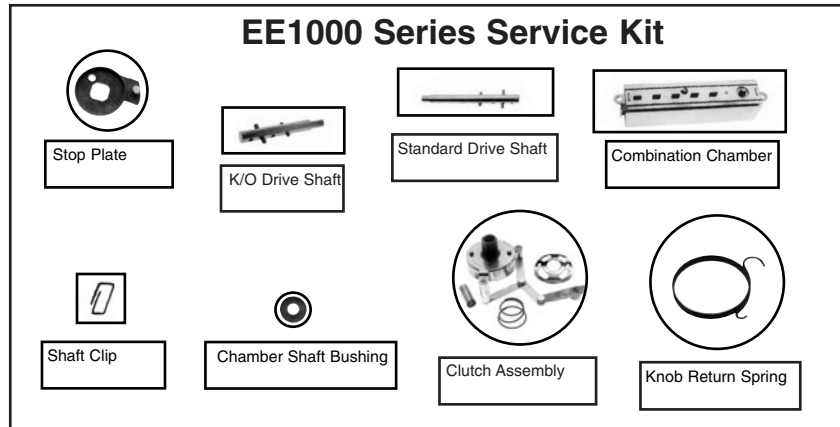
EE1000 Series Service Kit

Parts Included in Kit

- Chamber Shaft Bushing
- Clutch Assembly
- Combination Chamber
- Drive Shaft (No Key Override)
- Drive Shaft (Key Override)
- Drive Shaft Retainer Clip
- Return Spring
- Stop Plate
- Shaft Retainer Clip (must be used)

203036-000-01 \$125.00 each

* Requires two (2) kits to service both sides of lock.



Item	Qty/Lock	Description	Finish	Part Number	List Prices (USD)
1	1	Torx Anti-Tamper Tool Wrench (Includes 1 ea #1, #2, #7)	Satin Chrome	74543-26D-01	\$12.00
			Bright Brass	74543-03-01	\$12.00
2	1	Code Change Pick (Includes 1 ea #1, #2, #7)	Satin Chrome	74543-26D-01	\$12.00
			Bright Brass	74543-03-01	\$12.00
3	1	Double Wave Spring (Includes 1 ea #3, #27)		201016-000-01	\$10.00
4	1	Cover for Shoe Housing		201277-000-01	\$9.00
5	2	Shoe Springs		201366-000-10	\$9.00
6	4	Sems Screw Phillips 6-32 x 1/4" (11 mm) R.H.M.S. (For Spacer) (Includes 1 ea #23, #76; 2 ea #18, #83; 4 ea #20, #21, #22, #75)	Satin Chrome	204210-26D-01	\$10.00
			Bright Brass	204210-03-01	\$10.00
			Antique Brass	204210-05-01	\$10.00
7	3	Combination Change Screw	Satin Chrome	201871-26D-05	\$10.00
			Bright Brass	201871-03-05	\$10.00
8	2	Combination Change Bracket (For use on older models only)		201882-000-01	\$11.00
9	1	Angle Bracket		201905-000-01	\$18.00
10	2	Flat Phillips Head Screw 2 15/16" x 1/32"		201906-000-02	\$15.00
11	2	Spanner Screw – Tamper Proof		201907-000-10	\$20.00
12	1	2 - # 10 Size Insert Bit (fits #11)		201911-000-02	\$36.00
13	1	Inside Lock Cover Plate Assembly		201912-000-01	\$49.00
14	1	Outside Lock Cover Plate Assembly		201916-000-01	\$38.00
15	1	Retainer Clip (Drive Shaft)		201918-000-02	\$10.00
16	1	Housing (Inside)	Satin Chrome	201923-26D-01	\$87.00
			Bright Brass	201923-03-01	\$87.00
			Antique Brass	201923-05-01	\$87.00
17	1	Housing (Outside)	Satin Chrome	201924-26D-01	\$87.00
			Bright Brass	201924-03-01	\$87.00
			Antique Brass	201924-05-01	\$87.00
18	1	Clutch Assembly (EE only) (Includes 1 ea #3, #18, #27)		201956-000-01	\$36.00
19	1	Drive Insert		204015-000-01	\$21.00
20	1	Drive Insert (EE1000 Only)		204164-000-01	\$11.00
21	1	Retractor Shoe		204165-000-01	\$10.00
22	1	Shoe Retainer and Bridge		204199-000-01	\$33.00

EE1000 Series (continued)

Item	Qty/Lock	Description	Finish	Part Number	List Prices (USD)
23	1	Spacer Kit (Includes #6, #23, various door thickness screws)	Satin Chrome	204210-26D-01	\$10.00
			Bright Brass	204210-03-01	\$10.00
			Antique Brass	204210-05-01	\$10.00
24	1	Cylindrical Drive Unit Assembly (Includes 1 ea #19, #20, #21, #22, #25, #28; 2 ea #5; 4 ea #6)		204208-000-01	\$97.00
25	1	Shoe Retainer Cap Assembly		204209-000-01	\$28.00
26	1	Installation Hardware Kit (Not Shown in exploded view)	Bright Brass	204212-03-11	\$49.00
			Antique Brass	204212-05-11	\$48.00
			Satin Chrome	204212-26D-11	\$48.00
27	1	Clutch Balance Spring (Includes 1 ea #3, #27)		201016-000-01	\$10.00

Notes

- See 1000 Series Exploded View and Replacement Parts on Page 2-9 for parts not shown or numbered on this page.

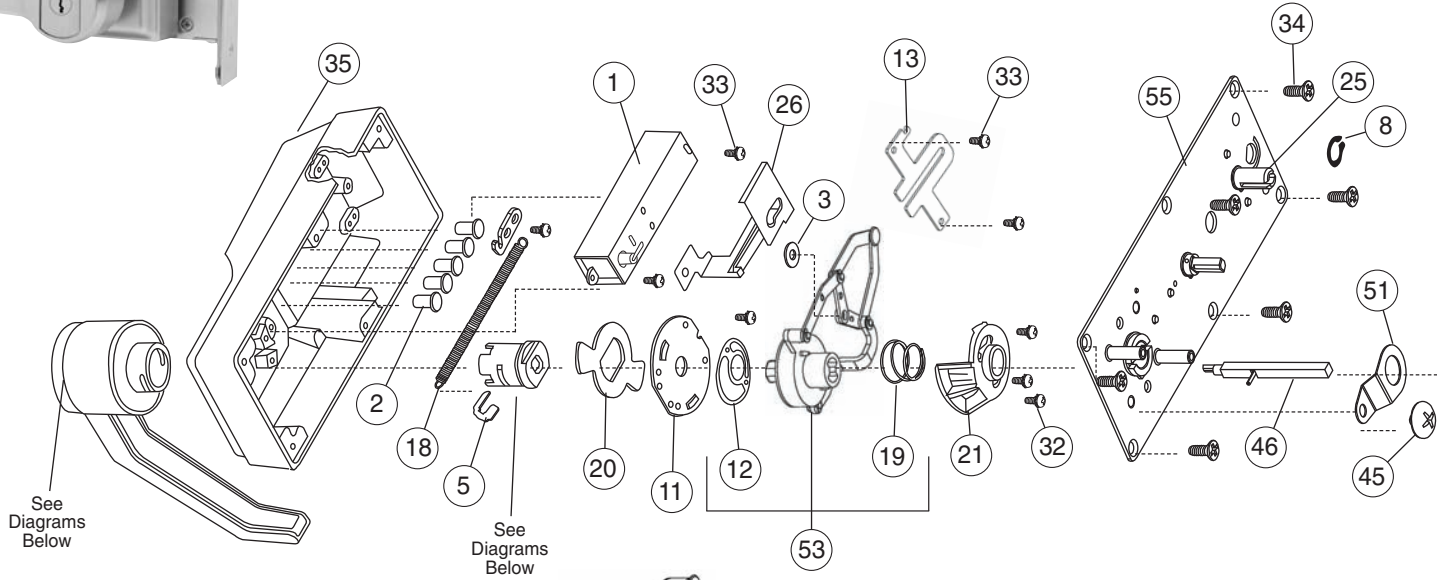
- Service kit can be used on both sides of lock
*(Requires (2) kits to service both sides)

* All EE1000 Series Locksets with a serial number consisting of three letters followed by five digits will no longer be using the code change bracket (Part No. 201882)

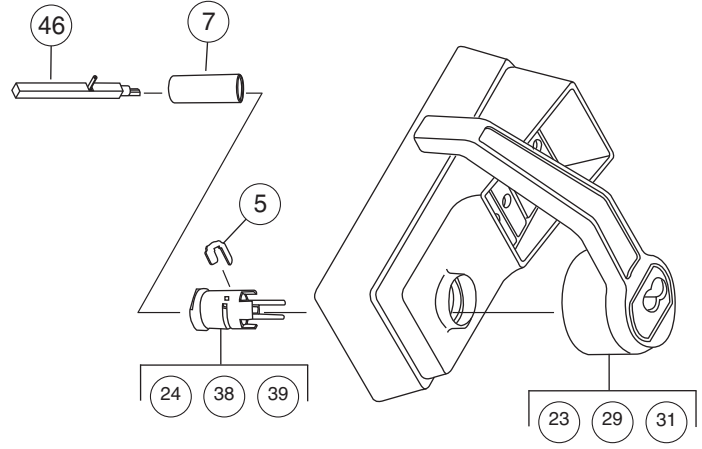
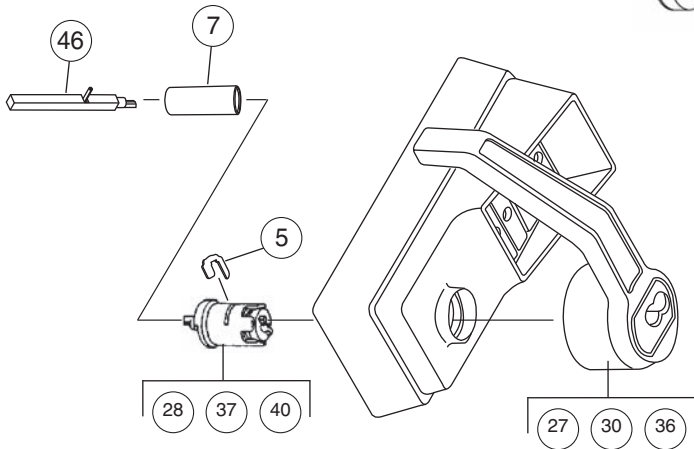
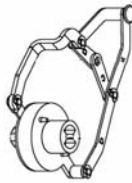
- Lubriplate Aero grease is the "only" lubricant that should be used.



Simplex 8100 Series



Right Hand Clutch

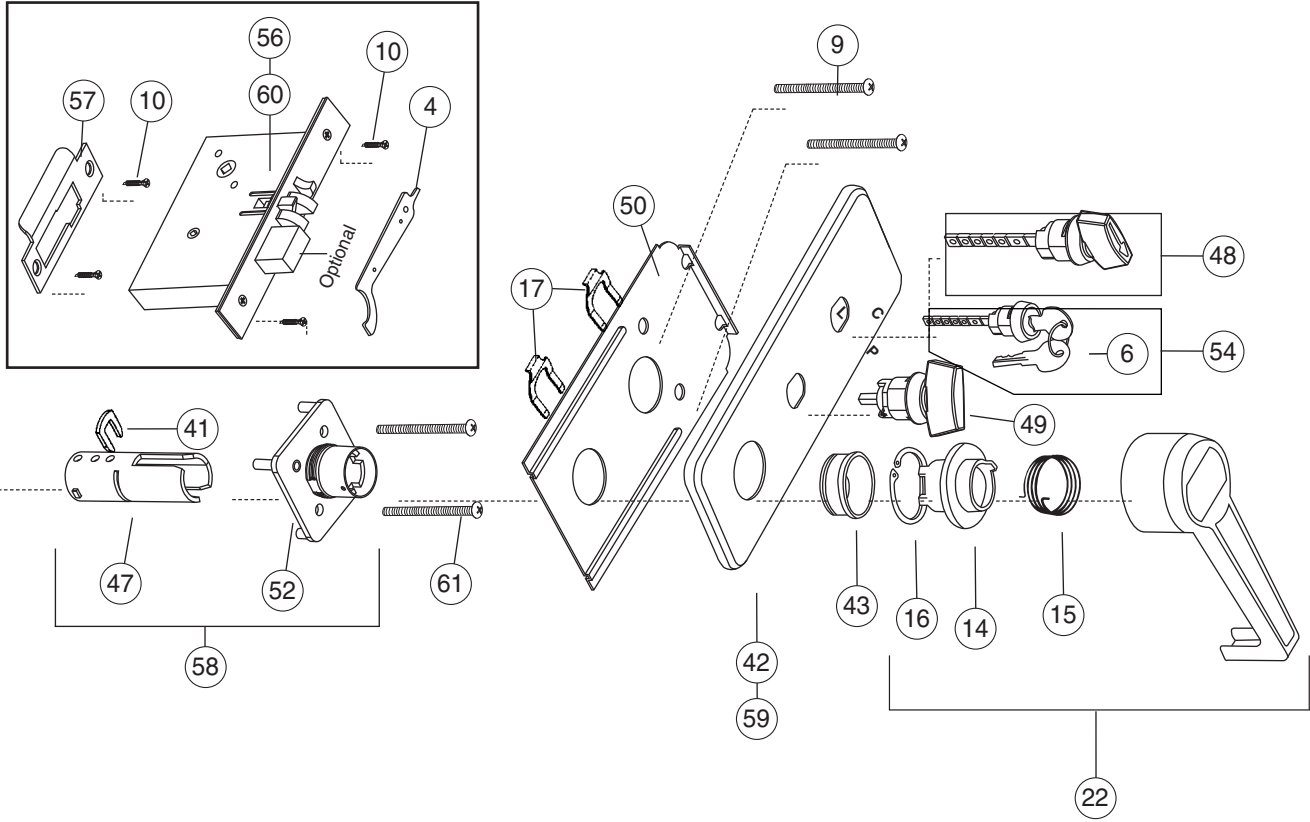


Key Override Models:

Medeco/ASSA/Yale
Schlage

Key Override Models:

Best & Equivalents
Corbin/Ruswin
Sargent



*See inside front cover for
How to Order instructions*

8100 Series (continued)

Item	Qty/Lock	Description	Finish	Part Number	List Prices (USD)
1	1	Combination Chamber (M-56/M-63)		74366-000-01	\$81.00
2	5	Pushbuttons (10 pack)	Black	200024-106-10	\$11.00
			Silver	200024-109-10	\$11.00
3	1	Bushing, Shaft (5 pack)		200026-000-05	\$10.00
4	1	Installation Wrench and DF-59 Keys (2) Kit (Includes 1 ea #4)		201278-000-01	\$9.00
5	1	Front Lever Retainer Clip (5 pack)		201343-000-05	\$8.00
6	1	Key DF-5 (For Passage and Lockout) (2 pack)		201422-000-02	\$7.00
7	1	Shaft Self-Aligning Bushing		201425-000-01	\$9.00
8	1	Retaining Ring 3/8" I.D. (10 pack)		201440-000-10	\$6.00
9	2	Screw, 8-32 x 2 1/2" Kit (For Mounting) (Includes 2 ea #9)	Satin Chrome	204210-26D-01	\$10.00
			Bright Brass	204210-03-01	\$10.00
			Antique Brass	204210-05-01	\$10.00
			Satin Chrome	201565-26D-10	\$10.00
10	4	Combination Screw, Phillips 8-32 x 3/4" (10 pack)	Bright Brass	201565-03-10	\$10.00
			Antique Brass	201565-05-10	\$10.00
11	1	Clutch Backing Plate		201708-000-01	\$9.00
12	1	Wave Spring (L1000 / 8100) (Includes 1 ea #12, #19)		201768-000-01	\$10.00
13	1	Guide Bracket		201721-000-01	\$8.00
14	1	Fixed Sleeve Kit -	RH (Includes 1 ea #14, #15, #16)	201727-000-01	\$36.00
			LH (Includes 1 ea #14, #15, #16)	201733-000-01	\$36.00
15	1	Inside Lever Coil Return Spring	RH	201730-000-01	\$10.00
			LH	201732-000-01	\$10.00
16	1	Inside Lever Fixed Sleeve Retainer Clip		201734-000-01	\$7.00
17	1	Spring Clip (For Passage & Lockout)		201740-000-10	\$9.00
18	1	Outside Lever Return Spring	RH (Includes 1 ea #18, #20)	201773-000-01	\$14.00
			LH (Includes 1 ea #18, #20)	201774-000-01	\$14.00
19	1	Clutch Balance Spring (Includes 1 ea #12, #19)		201768-000-01	\$10.00
20	1	Stop Plate Assembly	RH (Includes 1 ea #18, #20)	201773-000-01	\$14.00
			LH (Includes 1 ea #18, #20)	201774-000-01	\$14.00
21	1	Clutch Cover Assembly	RH	201780-000-01	\$11.00
			LH	201781-000-01	\$11.00
22	1	Inside Lever Assembly (Includes 1 ea #14, #15, #16, #22) RH	Satin Chrome	201785-26D-01	\$125.00
			Bright Chrome	201785-026-01	\$125.00
			Bright Brass	201785-03-01	\$125.00
			Antique Brass	201785-05-01	\$125.00
	LH	Satin Chrome	201786-26D-01	\$125.00	
		Bright Chrome	201786-026-01	\$125.00	
		Bright Brass	201786-03-01	\$125.00	
		Antique Brass	201786-05-01	\$125.00	
23	1	Best Outside Lever Assembly (Also fits Falcon / Arrow / Eagle & KSP / Lloyd Matheson) (Removable Core) RH	Satin Chrome	201790-26D-01	\$152.00
			Bright Chrome	201790-026-01	\$152.00
			Bright Brass	201790-03-01	\$152.00
			Antique Brass	201790-05-01	\$152.00
	LH	Satin Chrome	201791-26D-01	\$152.00	
		Bright Chrome	201791-026-01	\$152.00	
		Bright Brass	201791-03-01	\$152.00	
		Antique Brass	201791-05-01	\$152.00	
24	1	Best Outside Drive Sleeve Assembly (Also fits Falcon / Arrow / Eagle & KSP / Lloyd Matheson) (Removable Core)		201792-000-01	\$29.00
25	1	Chamber Release Cam (Passage, Lockout) (Includes 1 ea #8, #25, #26)		201825-000-01	\$18.00
26	1	Chamber Release (For Passage Set) (Includes 1 ea #8, #25, #26)		201825-000-01	\$18.00
27	1	Schlage Outside Lever Assembly (Removable Core) RH	Satin Chrome	201829-26D-01	\$166.00
			Bright Chrome	201829-026-01	\$166.00
			Bright Brass	201829-03-01	\$166.00
			Antique Brass	201829-05-01	\$166.00
	LH	Satin Chrome	201830-26D-01	\$166.00	
		Bright Chrome	201830-026-01	\$166.00	
		Bright Brass	201830-03-01	\$166.00	
		Antique Brass	201830-05-01	\$166.00	
28	1	Medeco / ASSA / Yale Outside Drive Sleeve Assembly (Removable Core) (Old # for ASSA 204010)		201842-000-01	\$42.00
29	1	Sargent Outside Lever Assembly (Removable Core) RH	Satin Chrome	201925-26D-01	\$152.00
			Bright Chrome	201925-026-01	\$152.00
			Bright Brass	201925-03-01	\$152.00
			Antique Brass	201925-05-01	\$152.00
	LH	Satin Chrome	201926-26D-01	\$152.00	
		Bright Chrome	201926-026-01	\$152.00	
		Bright Brass	201926-03-01	\$152.00	
		Antique Brass	201926-05-01	\$152.00	

8100 Series (continued)

Item	Qty/Lock	Description	Finish	Part Number	List Prices (USD)
30	1	Medeco / ASSA / Yale Outside Lever Assembly (Removable Core) (Old # for ASSA 204008 LH, 204009 RH) RH	Satin Chrome	201927-26D-01	\$166.00
			Bright Chrome	201927-026-01	\$166.00
			Bright Brass	201927-03-01	\$166.00
	LH	Satin Chrome	201927-05-01	\$166.00	
		Satin Chrome	201928-26D-01	\$166.00	
		Bright Chrome	201928-026-01	\$166.00	
		Bright Brass	201928-03-01	\$166.00	
		Antique Brass	201928-05-01	\$166.00	
		Antique Brass	201928-05-01	\$166.00	
31	1	Corbin / Russwin Outside Lever Assembly (Removable Core) RH	Satin Chrome	201929-26D-01	\$152.00
			Bright Chrome	201929-026-01	\$152.00
			Bright Brass	201929-03-01	\$152.00
	LH	Antique Brass	201929-05-01	\$152.00	
		Satin Chrome	201930-26D-01	\$152.00	
		Bright Chrome	201930-026-01	\$152.00	
		Bright Brass	201930-03-01	\$152.00	
		Antique Brass	201930-05-01	\$152.00	
		Antique Brass	201930-05-01	\$152.00	
32	6	Sems Screw, Phillips 6-32 x 7/16" (11 mm) R.H.M.S. (Includes 10 ea #32, #33, #34) (clutch cover)		64776-000-01	\$10.00
33	4	Sems Screw, Phillips 6-32 x 9/16" (8 mm) R.H.M.S. (Includes 10 ea #32, #33, #34) (chamber)		64776-000-01	\$10.00
34	6	Screw Phillips 6-32 x 3/8" F.H.M.S. (back plate) (Includes 10 ea #32, #33, #34)		64776-000-01	\$10.00
35	1	Front Lock Housing	Satin Chrome	203000-26D-01	\$87.00
			Bright Chrome	203000-026-01	\$87.00
			Bright Brass	203000-03-01	\$87.00
			Antique Brass	203000-05-01	\$87.00
38	1	Corbin / Russwin Outside Drive Sleeve Assembly (Removable Core)		204036-000-01	\$42.00
39	1	Sargent Outside Drive Sleeve Assembly (Removable Core)		204037-000-01	\$42.00
40	1	Schlage Outside Drive Sleeve Assembly (Removable Core)		204038-000-01	\$42.00
41	1	Inside Lever Retainer Clip (5 pack)		204120-000-05	\$9.00
42	1	Unified Trim Plate - with Deadbolt	Satin Chrome	801218-26D-01	\$29.00
			Bright Chrome	801218-026-01	\$29.00
			Bright Brass	801218-03-01	\$29.00
			Antique Brass	801218-05-01	\$29.00
43	1	Thread Ring	Satin Chrome	801227-26D-01	\$11.00
			Bright Brass	801227-03-01	\$11.00
			Antique Brass	801227-05-01	\$11.00
44	1	Gear Detention Spring (Not shown in exploded view)		801231-000-01	\$9.00
45	1	Drive Shaft Assembly Bracket Screw (Includes 1 ea #45, #51)		801247-000-01	\$10.00
46	1	Drive Shaft Assembly		801239-000-01	\$29.00
47	1	Inside Drive Sleeve	RH	801240-000-01	\$30.00
			LH	801257-000-01	\$30.00
48	1	Thumb Turn Assembly (Passage & Lockout)	Satin Chrome	801279-26D-41	\$42.00
			Bright Brass	801276-03-41	\$42.00
			Antique Brass	801279-05-41	\$42.00
49	1	Thumb Turn Assembly (Deadbolt)	Satin Chrome	801243-26D-01	\$31.00
			Bright Brass	801243-03-01	\$31.00
			Antique Brass	801243-05-41	\$31.00
50	1	Reinforcing Plate		801245-000-01	\$11.00
51	1	Drive Shaft Assembly Bracket (Includes 1 ea #45, #51)		801247-000-01	\$10.00
52	1	Inside Lever Sleeve Base RH	Satin Chrome	801248-26D-01	\$36.00
			Bright Brass	801248-03-01	\$36.00
			Antique Brass	801248-05-01	\$36.00
	LH	Satin Chrome	801249-26D-01	\$36.00	
		Bright Brass	801249-03-01	\$36.00	
53	1	Clutch Assembly (Includes 1 ea #12, #19, #53)	RH LH	801252-000-01 801253-000-01	\$50.00 \$50.00
54	1	Passage Plug Assembly - with (2) DF5 Keys (Passage & Lockout)	Satin Chrome	801279-26D-01	\$42.00
			Bright Brass	801279-03-01	\$42.00
			Antique Brass	801279-05-01	\$42.00
55	1	Back Plate Assembly	RH	801260-000-01	\$69.00
			LH	801272-000-01	\$69.00
56	1	Mortise Assembly with Deadbolt (Includes 1 ea #56 #57) RH	Satin Chrome	801261-26D-41	\$150.00
			Bright Brass	801261-03-41	\$150.00
			Antique Brass	801261-05-41	\$150.00
	LH	Satin Chrome	801275-26D-41	\$150.00	
		Bright Brass	801275-03-41	\$150.00	
		Antique Brass	801275-05-41	\$150.00	

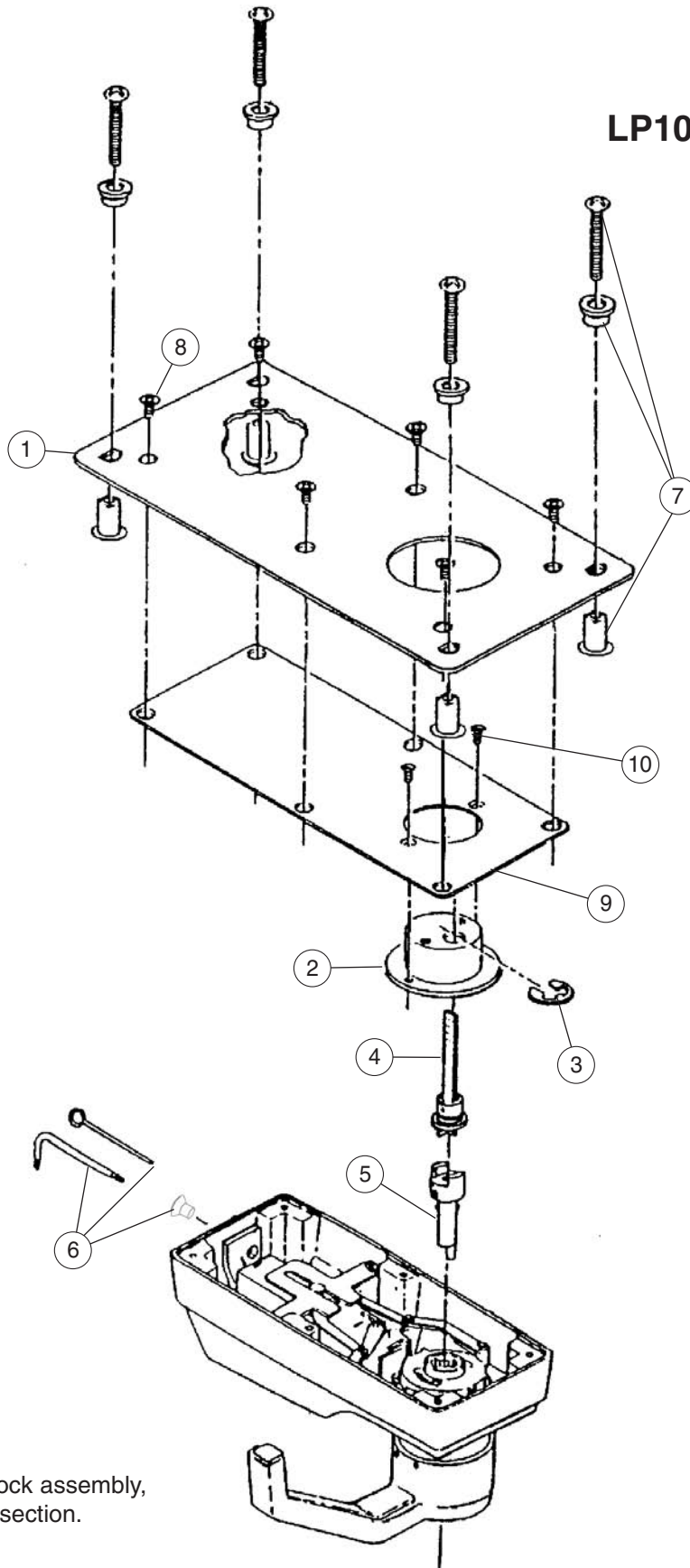
8100 Series (continued)

Item	Qty/Lock	Description	Finish	Part Number	List Prices (USD)
57	1	Strike Plate (Includes screws) RH	Satin Chrome	801262-26D-01	\$17.00
			Bright Brass	801262-03-01	\$17.00
			Antique Brass	801262-05-01	\$17.00
	LH	Satin Chrome	801276-26D-01	\$17.00	
		Bright Brass	801276-03-01	\$17.00	
		Antique Brass	801276-05-01	\$17.00	
58	1	Inside Lever Sleeve Assembly RH	Satin Chrome	801265-26D-01	\$52.00
			Bright Chrome	801265-026-01	\$52.00
			Bright Brass	801265-03-01	\$52.00
	LH	Antique Brass	801265-05-01	\$52.00	
		Satin Chrome	801266-26D-01	\$52.00	
		Bright Chrome	801266-026-01	\$52.00	
		Bright Brass	801266-03-01	\$52.00	
		Antique Brass	801266-05-01	\$52.00	
		Satin Chrome	801278-26D-01	\$29.00	
59	1	Unified Trim Plate - without Deadbolt	Bright Chrome	801278-026-01	\$29.00
			Bright Brass	801278-03-01	\$29.00
			Antique Brass	801278-05-01	\$29.00
			Satin Chrome	801287-26D-01	\$142.00
60	1	Mortise Assembly - without Deadbolt RH	Bright Brass	801287-03-01	\$142.00
			Antique Brass	801287-05-01	\$142.00
			Satin Chrome	801288-26D-01	\$142.00
	LH	Bright Brass	801288-03-01	\$142.00	
		Antique Brass	801288-05-01	\$142.00	
		Satin Chrome	64777-26D-01	\$18.00	
61	1	Mounting Screw Kit (Includes 4 ea #61, (4 sizes), 2 pins)		64777-26D-01	\$18.00
62	1	Installation Hardware Kit (Not shown in exploded view)	Satin Chrome	801259-26D-01	\$36.00
			Bright Brass	801259-03-01	\$36.00
			Antique Brass	801259-05-01	\$36.00

Note: Lubriplate Aero grease is the "only" lubricant that should be used.



Simplex LP1000 Series



*See inside front cover for
How to Order instructions*

Note: For lock assembly,
see L1000 section.

LP1000 Series (continued)

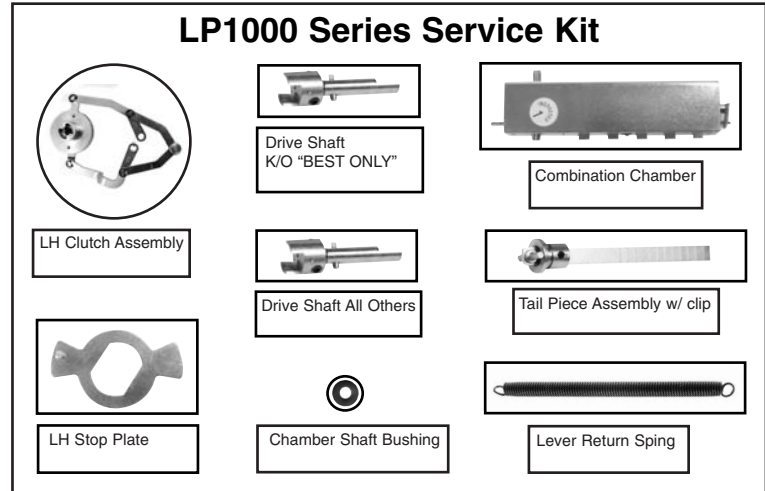
LP1000 Series Service Kit

Parts Included in Kit

Chamber Shaft Bushing
Clutch Assembly
Combination Chamber
Extension Spring
Key Override Shaft (Best)
Key Override Shaft (all others)
Stop Plate
Tailpiece Assembly

Left Hand: 203040-000-01 \$145.00 each

Right Hand: 203039-000-01 \$145.00 each



Left Hand Kit Shown

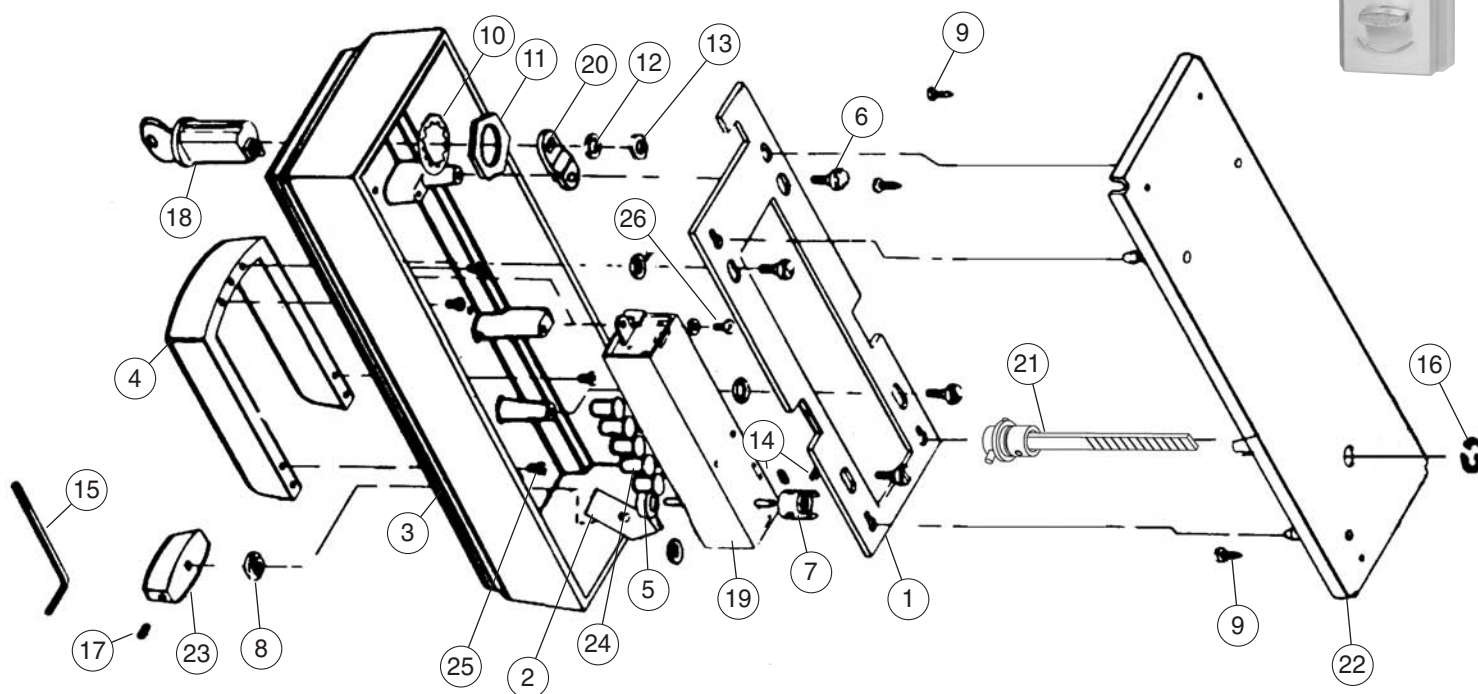
Item	Qty/Lock	Description	Finish	Part Number	List Prices (USD)
1	1	Mounting Plate	Black	24355-012-01	\$24.00
2	1	Lock Adapter		44247-000-01	\$19.00
3	1	E - Ring (For Tailpiece Assembly) (10 pack)		54198-000-10	\$10.00
4	1	Tail Piece Assembly (Includes 1 ea #3, #4)		74303-000-01	\$13.00
5	1	Drive Shaft Assembly (Short) (For All Key Override Cores Except Best and Equivalent)		74529-000-01	\$21.00
		Drive Shaft Assembly (Long) (For Best Key Override and equivalent)		74679-000-01	\$21.00
6	1	Combination Change Kit (Includes wrench, pick tool, combination change screw)	Satin Chrome	74543-26D-01	\$12.00
			Bright Brass	74543-03-01	\$12.00
			Antique Brass	74543-05-01	\$12.00
7	1	Thru-Bolt Screw Kit (Includes 4 ea. screw; bushing, sex nut)	Satin Chrome	74544-26D-01	\$15.00
			Bright Brass	74544-03-01	\$15.00
			Antique Brass	74544-05-01	\$15.00
8	2	Back Plate Screw (Phillips 6-32 x 5/8" F.H.M.S.)		204166-000-10	\$8.00
		(Replaced 201444-022-10) (201955-000-01) (10 Pack)			
9	1	Back Plate (Replaced 24354-000-01)		204043-000-01	\$17.00
10	2	Lock Adapter Screw (5 pack)		204112-000-05	\$9.00
11	1	Installation Hardware Kit (Includes 1 ea #6, #7, #8)		74554-000-01	\$22.00

Note: Lubriplate Aero grease is the "only" lubricant that should be used.

Simplex 2015 Series



See inside front cover for
How to Order instructions

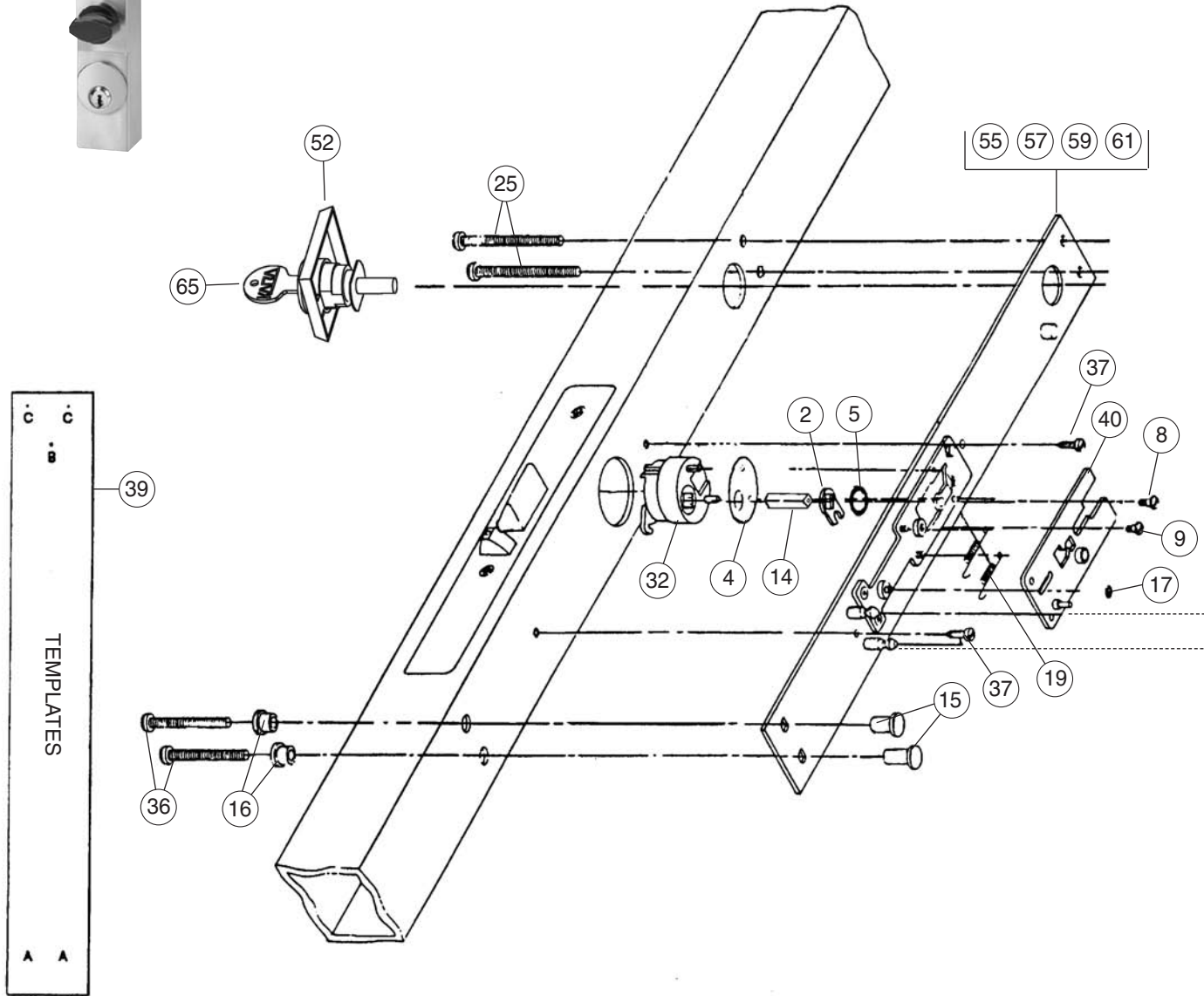


Item	Qty/Lock	Description	Part Number	List Prices (USD)
1	1	Lock-In Plate	24109-000-01	\$10.00
2	1	Stop Arm (Includes #2, #5, #7, #14, #19)	742412-000-01	\$88.00
3	1	Front Housing	34044-26D-01	\$80.00
4	1	1/2" VisiGuard	34046-26D-01	\$10.00
5	1	Control Shaft Sleeve (Includes #2, #5, #7, #14, #19)	742412-000-01	\$88.00
6	4	Lock-in Slide Shoulder Screws (For Drive Hub) (10 pack)	44121-000-10	\$10.00
7	1	Drive Hub (Includes 1 ea #7, 3 pcs of #14)	44122-000-01	\$13.00
8	1	Control Shaft Bushing (Includes 1 ea #8, #17, #23)	200013-26D-01	\$10.00
9	4	No. 7 PanHead Sheet Metal Screws (For Rear Cover) (10 pack)	54077-000-10	\$6.00
10	1	Control Lock Cylinder Lock Washer (Includes #10, #11, #12, #13)	64766-000-01	\$8.00
11	1	Control Lock Cyl. Nut (Includes #10, #11, #12, #13)	64766-000-01	\$8.00
12	1	Plug Lock Washer (Includes #10, #11, #12, #13)	64766-000-01	\$8.00
13	1	Plug Nut (Includes #10, #11, #12, #13)	64766-000-01	\$8.00
14	3	8- 32 x 3/16" (5 mm) Self Locking Hex Socket Set Screw Kit (Includes 1 ea #7, 3 pcs #14)	44122-000-01	\$13.00
15	1	Allen Wrench 5/64" x 1 31/32" (2 x 50 mm)	64717-000-01	\$10.00
16	1	E-Ring (For Tailpiece Assembly) (10 pack)	54198-000-10	\$10.00
17	1	Set Screw 6 - 32 x 1/4" (6mm) (Includes 1 ea #8, #17, #23) (10 pack)	200013-26D-10	\$10.00
18	1	Control Lock (Includes #10, #11, #12, #13, #18, #20)	74166-26D-01	\$47.00
19	1	Combination Chamber (Includes 1 ea #2, #5, #7, #14, #19)	742412-000-01	\$88.00
20	1	Control Lock Cam & Stud Assembly	74302-000-01	\$9.00
21	1	Tailpiece Assy (Includes 1 ea #16, #21)	74303-000-01	\$13.00
22	1	Back Plate Assembly	74304	\$27.00
23	1	Turn knob Kit (Includes 1 ea #8, #17, #23)	200013-26D-01	\$10.00
24	5	Pushbuttons (10 pack)	200024-109-10	\$11.00
25	6	Screw 6-32 x 1/4" RHMS (10mm) (For combination chamber and VisiGuard) (10 pack)	64776-000-01	\$10.00

Note: Lubriplate Aero grease is the "only" lubricant that should be used.



Simplex 3000 Series



3000 Series (continued)

Item	Qty/Lock	Description	Finish	Part Number	List Prices (USD)
1	1	Plate Lock		24165-000-01	\$9.00
2	1	Slide Yoke (Includes 1 ea #2, #5, #14)		64767-000-01	\$10.00
4	1	Cam Cover	Satin Chrome	24193-26D-01	\$8.00
			Duranodic	24193-55-01	\$8.00
5	1	Spacer Yoke (Includes 1 ea #2, #5, #14)		64767-000-01	\$10.00
6	1	Lock Housing without Cylinder Guard	Satin Chrome	34047-26D-01	\$38.00
			Duranodic	34047-55-01	\$38.00
8	1	Special Head Screw No. 5-40 UNC-2A x 3/16" (5 mm) long (For cam drive) (10 pack)		44188-000-10	\$10.00
9	1	Special Head Screw No. 6-32 UNC-2A x 1/8" (3 mm) long (For forward slide) (10 pack)		44191-000-10	\$10.00
11	1	Bushing (For Combination Chamber Control Shaft) (10 pack)		44207-000-10	\$10.00
13	2	Threaded Self-tapping Screw No. 4-24 SP x 3/16" (8 mm) long (For cylinder retention) (10 pack)		44214-000-10	\$9.00
14	1	Square Shaft Kit 5/8" (16 mm) long (For cam drive) (Includes 1 ea #2, #5, #14)		74767-000-01	\$10.00
15	2	Threaded Bushing; "D" Shaped (For lower drive assembly mounting plate) (10 pack)	Black	44226-012-10	\$23.00
16	2	Bushing; "O" Shaped (For lower drive assembly mounting) (10 pack)	Black	44229-19-10	\$16.00
17	3	Retaining Ring (For slide, stud code lever, and interposer) (10 pack)		54114-000-10	\$9.00
18	1	Washer 1/4" (6 mm) Shim (For cylinder guard 74425) (Includes 1 ea #18, #29, #31)		64768-000-01	\$9.00
19	2	Extension Spring (For slide stile plate assembly) (10 pack)		54237-000-10	\$10.00
25	2	Phillips Head Screw No. 10-24 UNC - 2A x 2 1/8" (54 mm) long (For securing upper lock housing) (10 pack)		54247-000-10	\$10.00
26	1	Retaining Ring (For drive knob) (10 pack)		54251-000-10	\$10.00
28	1	Grip Ring (For combination chamber control shaft) (10 pack)		54253-000-10	\$10.00
29	1	Ball Bearing; 3/32" (2 mm) dia. (For cylinder guard) (Includes 1 ea #18, #29, #31)		64768-000-01	\$9.00
31	1	Round Head Screw No. 5-40 UNC-2A x 1/4" (6 mm) long (For lock housing prepped for cylinder guard) (Includes 1 ea #18, #29, #31)		64768-000-01	\$9.00
32	1	Cam Plug No. 4580 Adams Rite		54258-000-01	\$13.00
33	1	Pan Head Screw No. 6-32 UNC-2AA x 3/16" (5 mm) long (For cylinder cam stop) (10 pack)		54260-000-10	\$7.00
35	1	Slotted Flat Head Screw No. 2-56 x 1/4" (6 mm) long (For code change assembly plate) (10 pack)		54265-000-10	\$7.00
36	2	Phillips Head Machine Screw No. 10-24 x 1 1/2" (38 mm) long (For lower drive assembly mounting) (10 pack)	Black	54275-000-10	\$10.00
37	1	Self-tapping Sheet Metal Screw No. 6 (For securing drive assembly) (10 pack)		54284-000-10	\$7.00
38	1	Screwdriver 2 1/2" (64 mm) Blade; Flat Point (For combination code change) (Not shown on exploded view)		54285-000-01	\$9.00
39	1	Template (Cardboard)- 1 1/8" (28 mm) R		64143-000-01	\$8.00
				64144-000-01	\$8.00
				64145-000-01	\$8.00
				64146-000-01	\$8.00
40	1	Slide Assembly- 3 1/32" (25 mm) L		74331-000-01	\$13.00
				74332-000-01	\$13.00
				74333-000-01	\$13.00
				74334-000-01	\$13.00
43	1	Clutch Assembly (Complete)		64755-000-01	\$30.00
				74348-000-01	\$14.00
				74349-19-01	\$11.00
				74354-000-01	\$16.00
47	1	Code Change Assembly (Complete)		74354-000-01	\$16.00
48	1	Knob Assembly (Includes 1 ea #26, #48)	Black	74366-000-01	\$81.00
50	1	Combination Chamber (M-63) / (M-56)		74366-000-01	\$81.00
51	1	Trim Plate Assembly with (2) DF59 Keys (Complete)	Black	74377-19-01	\$16.00
52	1	Complete Mounting Plate Assembly (For 1 1/8" (28 mm) backset); RH (Complete) (Includes 1 ea #2, #5, #8, #9, #14, #17, #19, #40, #55)	Black	74416-19-01	\$43.00
53	1	Complete Mounting Plate Assembly (For 1 1/8" (28 mm) backset); LH (Complete) (Includes 1 ea #2, #5, #8, #9, #14, #17, #19, #40, #57)	Black	74418-19-01	\$43.00
54	1	Complete Mounting Plate Assembly (For 3 1/32" (25 mm) backset); RH (Complete) (Includes 1 ea #2, #5, #8, #9, #14, #17, #19, #40, #59)	Black	74420-19-01	\$43.00

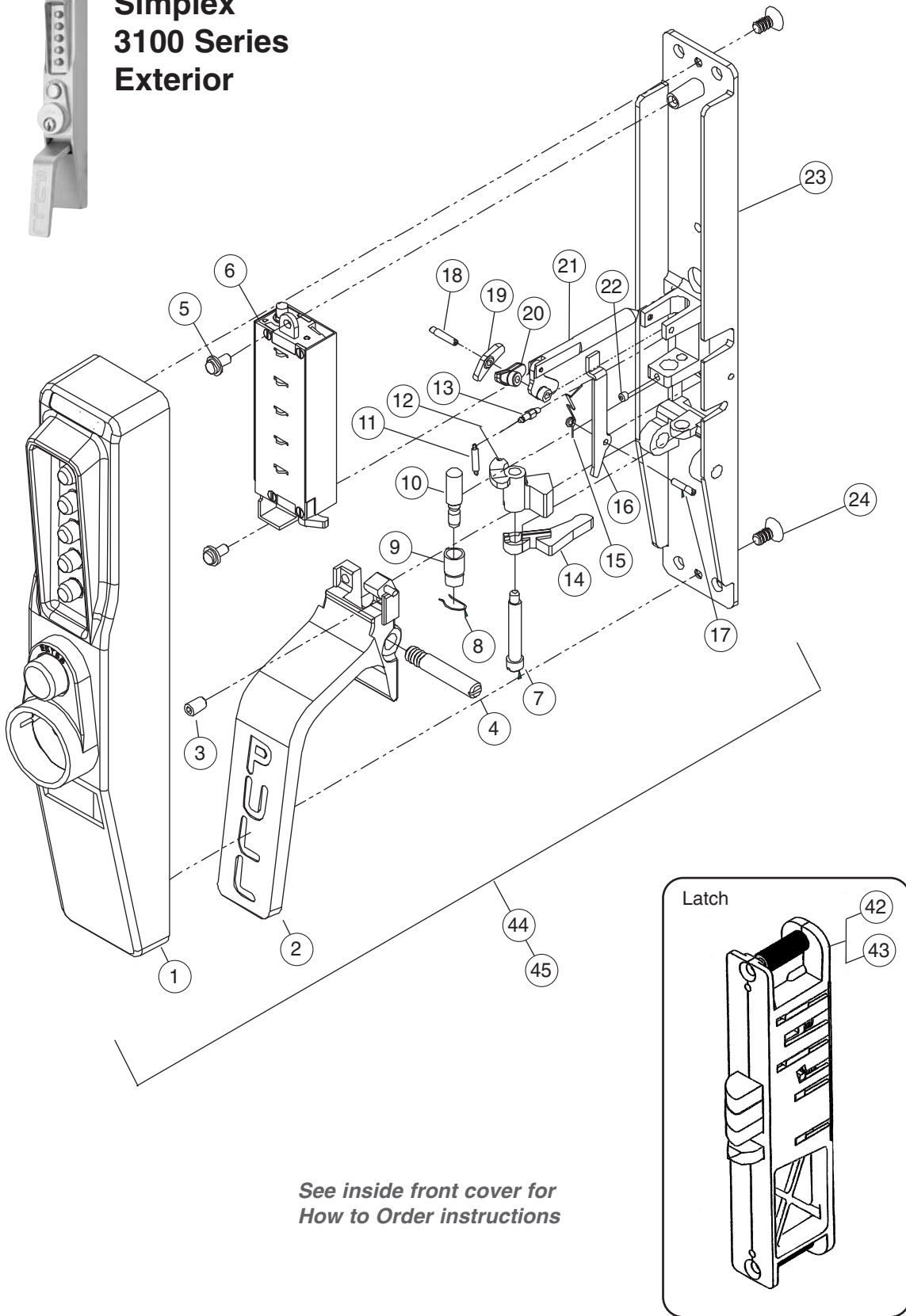
3000 Series (continued)

Item	Qty/Lock	Description	Finish	Part Number	List Prices (USD)
61	1	Complete Mounting Plate Assembly (For $3\frac{1}{32}$ " (25 mm) backset); LH (Complete) (Includes 1 ea #2, #5, #8, #9, #14, #17, #19, #40, #61)	Black	74422-19-01	\$43.00
62	1	Lock Housing with Cylinder Guard (Includes 1 ea #6, #18, #29, #31)	Satin Chrome	74425-26D-01	\$61.00
			Duranodic	74425-55-01	\$61.00
63	5	Pushbuttons (10 pack)	Black	200024-106-10	\$11.00
			Silver	200024-109-10	\$11.00
				201278-000-01	\$9.00
65	2	DF-59 Keys (For combination change control lock) (Includes spanner wrench)			
66	2	Sems Screw Kit Phillips 6 - $32 \times \frac{5}{16}$ " (8 mm) R.H.M.S. (For combination chamber) (Old #54199 & #54200)		64776-000-01	\$10.00
67	1	Lubriplate Aero Grease Tubes		64754-000-01	\$12.00

Note: Lubriplate Aero grease is the "only" lubricant that should be used.



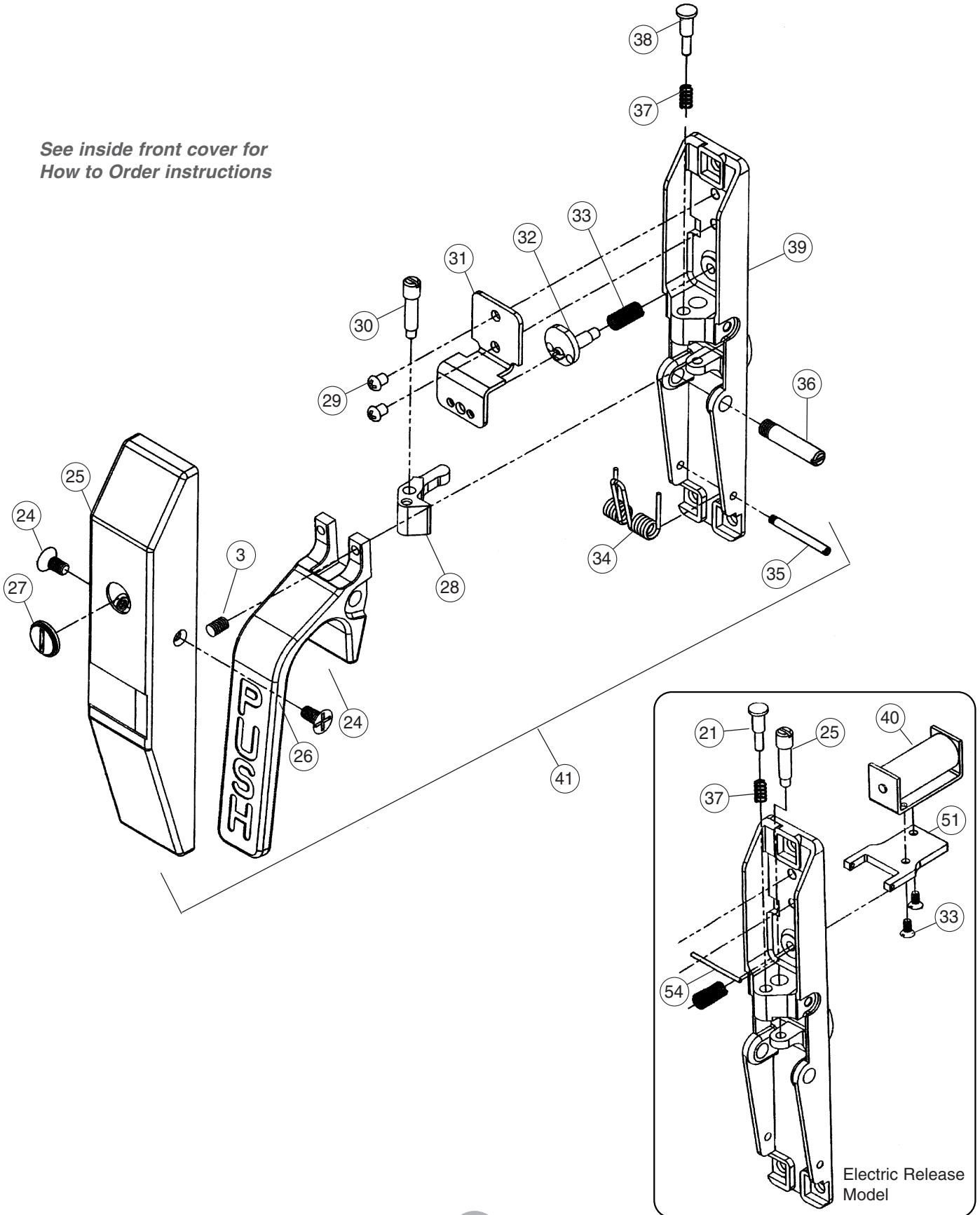
Simplex 3100 Series Exterior



*See inside front cover for
How to Order instructions*

Simplex 3100 Series Interior

See inside front cover for
How to Order instructions



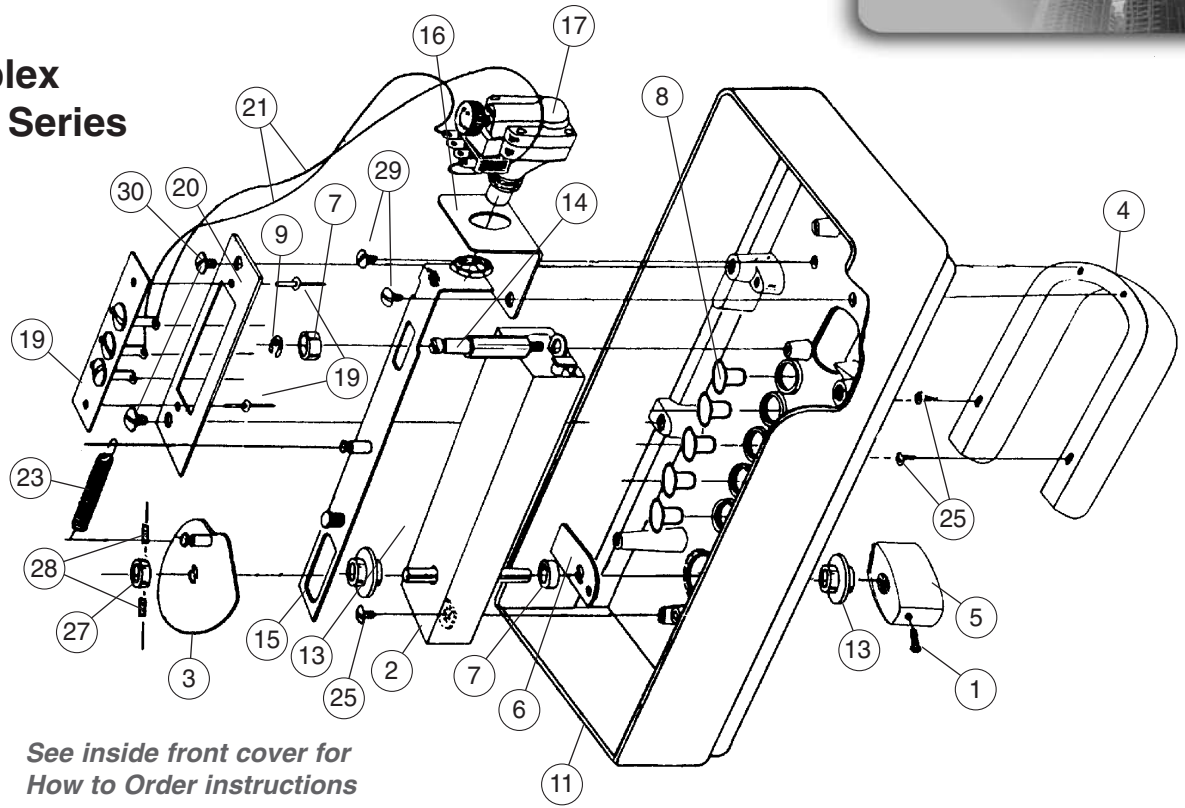
3100 Series (continued)

Item	Qty/Lock	Description		Finish	Part Number	List Prices (USD)
1	1	Outside Lock Housing with Buttons	LH	Satin Chrome	74817-26D-01	\$110.00
				Duranodic	74817-55-01	\$110.00
			RH	Satin Chrome	74818-26D-01	\$110.00
				Duranodic	74818-55-01	\$110.00
2	1	Paddle Assembly - Outside (Includes 1 ea #2, #3, #4)		Satin Chrome	74796-26D-01	\$35.00
				Duranodic	74796-55-01	\$35.00
3	2	Paddle Set Screw (5 pack)			54422-000-05	\$10.00
4	1	Outside Paddle Pivot Pin (1/4" - 28 THD) 1/4" DIA x 1 3/8" (Includes 1 ea #2, #3, #4)		Satin Chrome	74796-26D-01	\$35.00
				Duranodic	74796-55-01	\$35.00
5	2	Chamber Screw 6-32 x 5/8" self tapping (Includes 10 ea #5, #24)			64776-000-01	\$10.00
6	1	Combination Chamber (Low Profile)			74774-000-01	\$86.00
23	1	Outside Base Assembly (Includes #7-#23)	RH		75247-000-01	\$125.00
			LH		75248-000-01	\$125.00
24	2	Self Tapping Screw 6-32 x 3/8" FHMS - Inside Cover (Includes 10 ea #5, #24)			64776-000-01	\$10.00
25	1	Inside Housing Base Cover		Satin Chrome	24443-26D-01	\$22.00
				Duranodic	24443-55-01	\$22.00
26	1	Inside Paddle (Includes 1 ea #3, #26)		Satin Chrome	34165-26D-01	\$29.00
				Duranodic	34165-55-01	\$29.00
40	1	Sealed Solenoid			54432-000-01	\$91.00
41	1	Lock Assembly & Cover - Inside	RH	Satin Chrome	74776-26D-01	\$107.00
				Duranodic	74776-55-01	\$107.00
			LH	Satin Chrome	74780-26D-01	\$107.00
				Duranodic	74780-55-01	\$107.00
42	1	Mortise Housing Assembly ³¹ / ₃₂ "	LH		74777-000-01	\$110.00
			RH		74791-000-01	\$110.00
43	1	Mortise Housing Assembly 1 1/8"	LH		74778-000-01	\$110.00
			RH		74792-000-01	\$110.00
44	1	Outside Lock Assembly	LH	Satin Chrome	74819-26D-01	\$303.00
				Duranodic	74819-55-01	\$303.00
			RH	Satin Chrome	74820-26D-01	\$303.00
				Duranodic	74820-55-01	\$303.00
45	1	Outside Lock Assembly with Electric Release	LH	Satin Chrome	74823-26D-01	\$334.00
				Duranodic	74823-55-01	\$334.00
			RH	Satin Chrome	74824-26D-01	\$334.00
				Duranodic	74824-55-01	\$334.00
46	1	Lubriplate Aero Grease Tubes			64754-000-01	\$12.00
47	1	Mortise Plate Latch – Non-Beveled (Includes screws) (Not Shown on Exploded View)		Satin Chrome	54410-26D-01	\$7.00
				Duranodic	54411-55-01	\$7.00
48	1	Mortise Plate Latch – Beveled (Includes screws) (Not Shown on Exploded View)	LH	Satin Chrome	54411-26D-01	\$7.00
				Duranodic	54411-55-01	\$7.00
			RH	Satin Chrome	54413-26D-01	\$7.00
				Duranodic	54413-55-01	\$7.00

Note: Lubriplate Aero grease is the "only" lubricant that should be used.



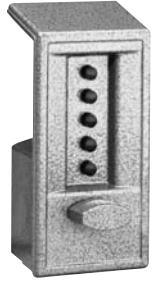
Simplex 2000 Series



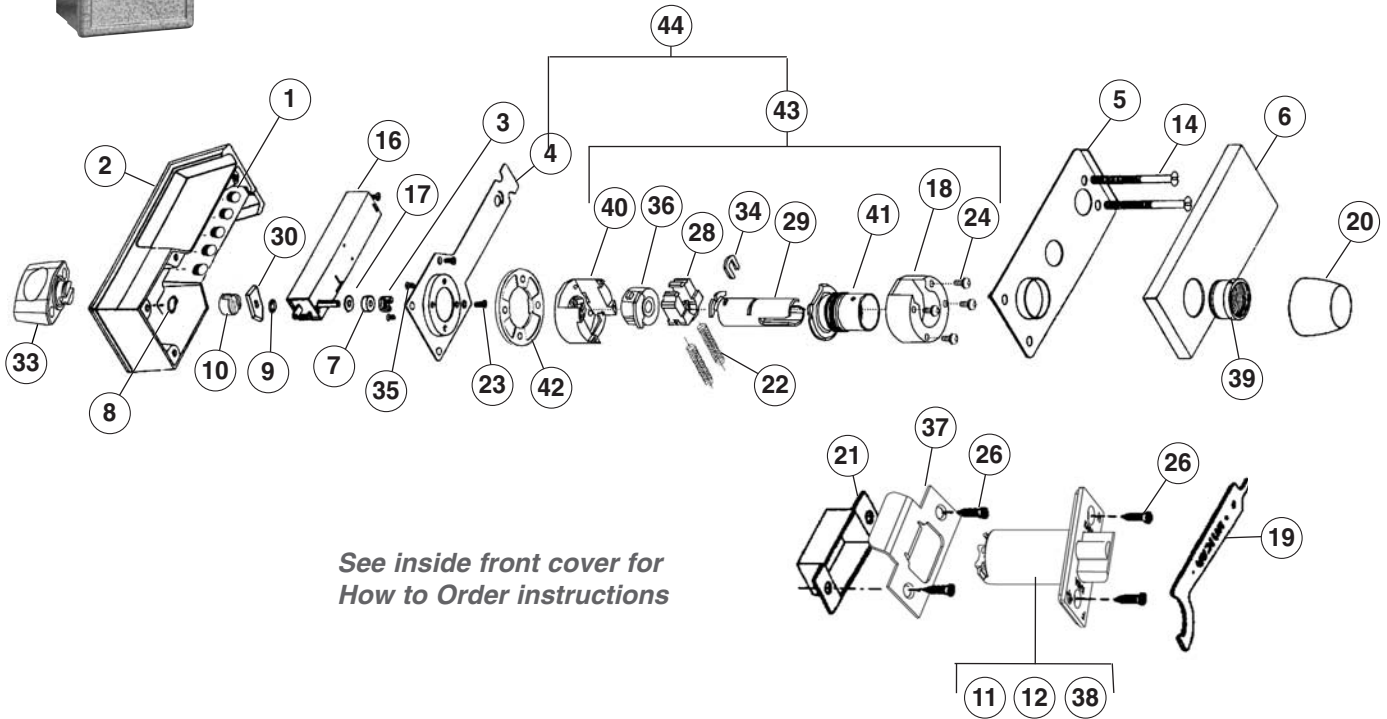
See inside front cover for
How to Order instructions

Item	Qty/Lock	Description	Finish	Part Number	List Prices (USD)
1	1	Set Screw 6-32 x 1/4" (6 mm) Round Head (Includes 1 ea #1, #5, #13)	Satin Chrome	200013-26D-01	\$10.00
2	1	Combination Chamber (201428-000-01) (Includes 1 ea #2, #6, #7)		74459-000-01	\$81.00
3	1	Cam Assembly (Includes 1 ea #3, #15, #23, #27; 2 ea #28)		64771-000-01	\$16.00
4	1	1/2" Visi Guard	Satin Chrome	200002-26D-01	\$10.00
5	1	Turn Knob (Includes 1 ea #1, #5, #13)	Satin Chrome	200013-26D-01	\$10.00
6	1	Stop Arm (Includes 1 ea #2, #6, #7)		74459-000-01	\$81.00
7	1	Sleeve Control Shaft (Includes 1 ea #2, #6, #7)		74459-000-01	\$81.00
8	5	Pushbuttons (10 pack)		200024-109-10	\$11.00
9	1	Retainer Clip (10 pack)		200057-000-10	\$8.00
10	1	Control Lock (DF-59) (Not Shown in Exploded View)	Satin Chrome	200080-26D-01	\$14.00
11	1	Front Casting (Plated)	Satin Chrome	200200-26D-01	\$80.00
12	1	Rear Cover Assembly (Not Shown in Exploded View)		200201-000-01	\$25.00
13	2	Control Shaft Bushing (Includes 1 ea #1, #5, #13)		200013-000-01	\$10.00
14	1	Chamber Mounting Post		200205-000-01	\$6.00
15	1	Activating Arm Assembly Kit (Includes 1 ea #3, #15, #23, #27; 2 ea #28)		64771-000-01	\$16.00
16	1	Switch Bracket		200209-000-01	\$6.00
17	1	Time Switch (pneumatic) (For model 2001)		200210-000-01	\$117.00
18	1	Switch Normally Open Momentary Contact (For model 2000) (Not Shown in Exploded View)		200212-000-01	\$29.00
19	1	Terminal Connector Kit 3 Contacts (Includes 1 ea #19, #20, #21; 2 ea #22)		64770-000-01	\$10.00
20	1	Terminal Bracket Kit (Includes 1 ea #19, #20, #21, #22)		64770-000-01	\$10.00
21	1	Flexible Wire Kit 4" (10 cm) long; 22 Gauge (Includes 1 ea #19, #20, #21, #22)		64770-000-01	\$10.00
22	2	Pop Rivet Kit No. 423BS (Includes 1 ea #19, #20, #21; 2 ea #22)		64770-000-01	\$10.00
23	1	Coil Spring Kit (Includes 1 ea #3, #15, #23, #27; 2 ea #28)		64771-000-01	\$16.00
24	1	Rubber Grommet (Not Shown)		201424-000-05	\$7.00
25	5	Screw 6-32 x 1/4" (6 mm) Round Head (10 ea x 3 different screws)		64776-000-01	\$10.00
26	1	Switch Normally Closed. Momentary Contact (For model 2005) (Not Shown in Exploded View)		201456-000-01	\$29.00
27	1	Retainer Kit (Includes 1 ea #3, #15, #23, #27; 2 ea #28)		64771-000-01	\$16.00
28	2	Set Screw Kit 4-40 x 3/16" (5 mm) (Includes 1 ea #3, #15, #23, #27; 2 ea #28)		64771-000-01	\$16.00
29	2	Screw 6-32 x 1/4" (10 mm) Round Head (Old # 201440-000-10)		201953-000-10	\$8.00
30	2	Screw 8-32 x 1/4" (6 mm) Round Head		204125-000-10	\$8.00
31	1	Lubriplate Aero Grease Tubes		64754-000-01	\$12.00

Note: Lubriplate Aero grease is the "only" lubricant that should be used.



Simplex 6200 Series



See inside front cover for
How to Order instructions

Item	Qty/Lock	Description	Finish	Part Number	List Prices (USD)
1	5	Pushbuttons (10 pack)	Black	34019-106-10	\$11.00
2	1	Front Lock Housing	Gold Tone	55001-060-01	\$77.00
			Almond	55001-067-01	\$77.00
			Black	55001-085-01	\$77.00
			Grey	55001-086-01	\$77.00
3	1	Drive Hub Kit (Includes 1 ea #3, #17; 2 pcs #7)		64772-000-01	\$10.00
4	1	Back Plate Sub-assembly (Old # 55095)		55044-000-01	\$27.00
5	1	Inside Door Reinforcing Plate		55057-000-01	\$9.00
6	1	Inside Trim Plate	Satin Chrome	55060-26D-01	\$11.00
			Bright Brass	55060-03-01	\$11.00
7	1	Spacer (For Drive Hub) Kit (Includes 1 ea #3, #17; 2 pcs #7)		64772-000-01	\$10.00
8	1	Retainer Ring for Turn Knob (10 pack)		55080-000-10	\$10.00
9	1	Stop Arm Washer (Includes 1 ea #9, #16, #30)		74870-000-01	\$84.00
10	1	Force Proof Clutch Assembly		55091-000-01	\$28.00
11	1	Latch 1/2" (13 mm) Throw; 2 3/8" (60 mm) Backset; Flat Front	Satin Chrome	55115-26D-01	\$29.00
			Bright Brass	55115-03-01	\$29.00
12	1	Latch 1/2" (13 mm) Throw; 2 3/4" (70 mm) Backset; Flat Front	Satin Chrome	55116-26D-01	\$29.00
			Bright Brass	55116-03-01	\$29.00
14	2	Mounting Screw 1/4" x 20 NC (2 screws x 2 sizes) for Doors 1 3/8" - 2 1/4"	Satin Chrome	55300-26D-01	\$22.00
			Bright Brass	55300-03-01	\$22.00
15	1	Accessory Kits (For Lock Installation) (Not shown in Exploded View)	Satin Chrome	55300-26D-01	\$22.00
			Bright Brass	55300-03-01	\$22.00
16	1	Combination Chamber (M64) (Includes 1 ea #9, #16, #30) (Old # 55013-000-01)		74870-000-01	\$84.00

6200 Series (continued)

Item	Qty/Lock	Description	Finish	Part Number	List Prices (USD)
17	1	Shaft Bushing (Includes 1 ea #3, #17; 2 ea #7)		64772-000-01	\$10.00
18	1	Cover for Shoe Housing		201277-000-01	\$9.00
19	1	Installation Wrench (Spanner Wrench)		201278-000-01	\$9.00
20	1	Inside Knob (Old # 55073) or 201284	Satin Chrome	34264-26D-01	\$40.00
			Bright Brass	34264-03-01	\$40.00
21	1	Strike Box (Old # 55068-000-01)		201287-000-01	\$8.00
22	2	Shoe Spring (10 pack)		201366-000-10	\$9.00
23	4	Sems Screw Phillips 6 - 32 x 1/4" (6 mm) R.H.M.S. (For shoe housing cover) (10 pack)		201446-000-10	\$7.00
24	4	Sems Screw Phillips 8 - 32 x 7/16" (11 mm) R.H.M.S. (For spacer)	Satin Chrome	204210-26D-01	\$10.00
			Bright Brass	204210-03-01	\$10.00
25	4	Sems Screw Phillips 8 - 32 x 11/16" (11 mm) R.H.M.S. (For spacer)	Satin Chrome	204210-26D-01	\$10.00
			Bright Brass	204210-03-01	\$10.00
26	4	Combination Screw; Phillips 8 - 32 x 3/4" (19 mm) (For Latch & Strike) (10 pack)	Satin Chrome	201565-26D-10	\$10.00
			Bright Brass	201565-03-10	\$10.00
			Antique Brass	201565-05-10	\$10.00
27	1	Rubber Bumper (For Door Frame) (Not Shown on Exploded View)		201568-000-05	\$10.00
28	1	Retractor Shoe (old # 201272)		201723-000-01	\$10.00
29	1	Inside Drive Sleeve Assembly (Includes 1 ea #29, #34)		201782-000-01	\$13.00
30	1	Stop Arm (Includes 1 ea #9, #16, #30)		74870-000-01	\$84.00
31	2	Sems Screw Phillips 6 - 32 x 5/16" (8 mm) R.H.M.S. (For combination chamber) (Old Part # 201447-000-10)		64776-000-01	\$10.00
32	2	Sems Screw Phillips 6 - 32 x 3/8" (10 mm) F.H.M.S. (For back plate) (Old Part # 201444-000-10)		64776-000-01	\$10.00
33	1	Turn Knob Assembly (Old # 55128) (Includes 1 ea #8, #33)		202014-060-01	\$22.00
				202014-067-01	\$22.00
				202014-085-01	\$22.00
				202014-086-01	\$22.00
34	1	Retainer Clip (For Inside Knob) (Old # 201344)		204120-000-05	\$10.00
35	4	Sems Screw Phillips 8 - 32 x 5/16" (5 mm) R.H.M.S. (For spacer) (old # 201449)	Satin Chrome	204210-26D-01	\$10.00
			Bright Brass	204210-03-01	\$10.00
36	1	Drive Insert (Old # 55077)		204138-000-01	\$21.00
37	1	Strike Plate (old # 201288)	Satin Chrome	204227-26D-01	\$9.00
			Bright Brass	204227-03-01	\$10.00
38	1	Latch 1/2" (13 mm) Throw; 2 3/4" (70 mm) Backset; Floating Front	Satin Chrome	204168-26D-41	\$31.00
			Bright Brass	204168-03-41	\$31.00
39	1	Rose Bushing / Thread Ring Privacy Locks	Satin Chrome	204169-26D-01	\$11.00
			Bright Brass	204169-03-01	\$11.00
40	1	Shoe Retainer and Bridge Assembly		204199-000-01	\$33.00
41	1	Shoe Retainer Cap Assembly	Satin Chrome	204200-26D-01	\$27.00
			Bright Brass	204200-03-01	\$27.00
42	1	1/4" Spacer, Door Thickness	Satin Chrome	204210-26D-01	\$10.00
			Bright Brass	204210-03-01	\$10.00
43	1	Cylindrical Drive Unit Assembly (Includes 1 ea #18, #28, #29, #34, #36, #40, #41; 2 ea #22; 4 ea #24)	Satin Chrome	204206-26D-01	\$94.00
			Bright Brass	204206-03-01	\$94.00
44	1	Back Plate Assembly (Includes 1 ea #4, #24, #42, #43)	Satin Chrome	204207-26D-01	\$96.00
			Bright Brass	204207-03-01	\$96.00
45	1	Lubriplate Aero Grease Tubes		64754-000-01	\$12.00

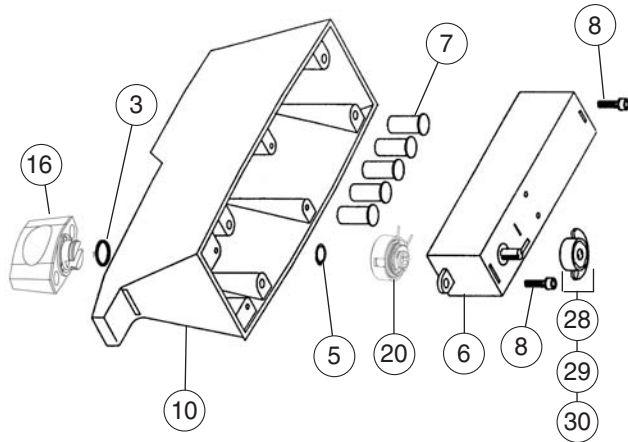
Note: Lubriplate Aero grease is the "only" lubricant that should be used.



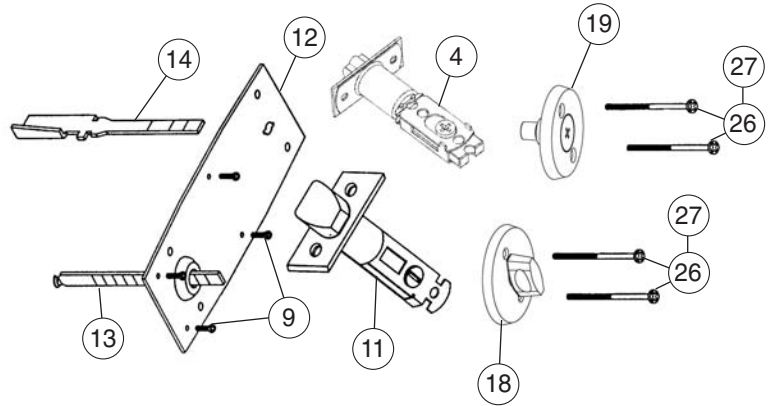
Simplex 7100 Series

See inside front cover for
How to Order instructions

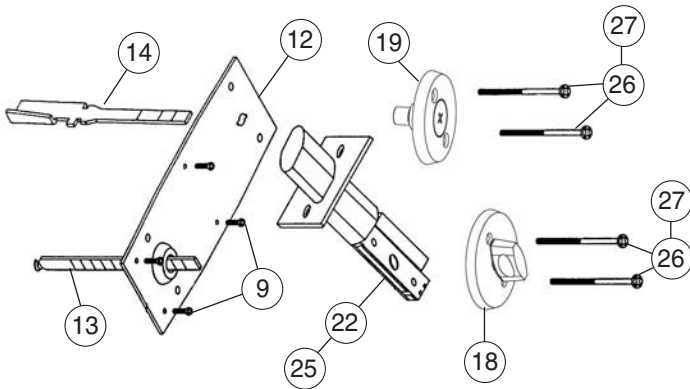
Front Housing, All Models



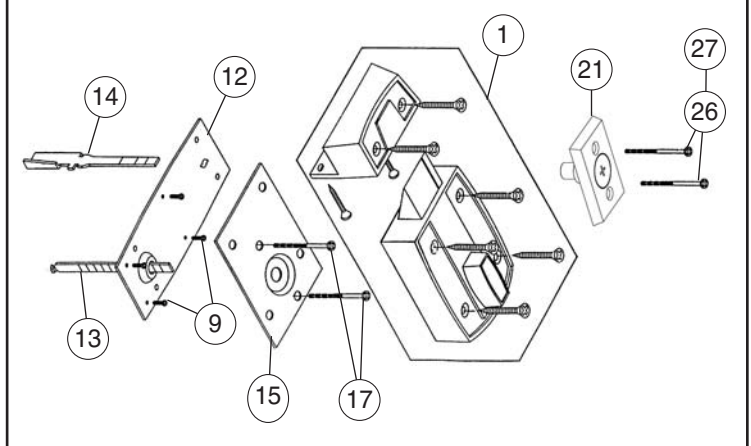
Interior: 7104



Interior: 7102, 7108



Interior: 7106



Item	Qty/Lock	Description	Finish	Part Number	List Prices (USD)
1	1	Rim Deadlocking Latch 2 3/8" (60 mm) Backset with Strike Box (7106 only) (Includes 1 ea #1, #15, #35)		4027-509-19-41	\$44.00
2	1	Trim Plate to Cover 2 1/8" (54 mm) Bores (Not Shown on Exploded View) Not Needed on 7100 Series Models	Bright Brass	24380-03-01	\$10.00
			Antique Copper	24380-AC-01	\$10.00
			Black	24380-19-01	\$10.00
			Antique White	24380-AW-01	\$10.00
			Satin Chrome	24380-26D-01	\$10.00
			Gold Vein	24380-GV-01	\$10.00
			Silver Vein	24380-SV-01	\$10.00

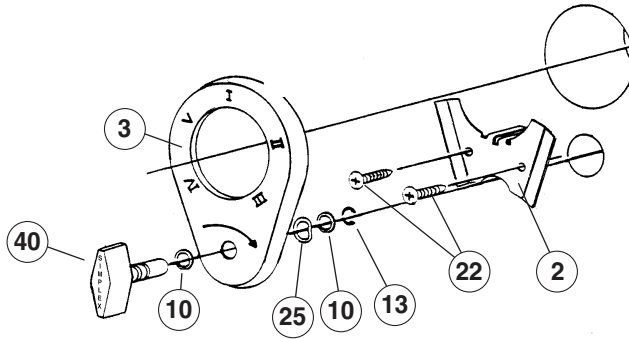
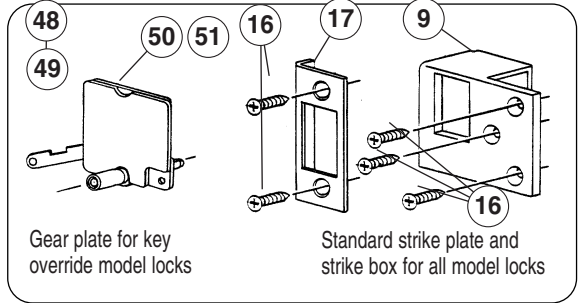
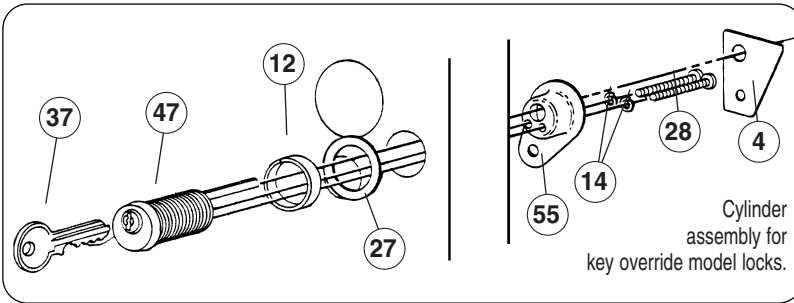
7100 Series (continued)

Item	Qty/Lock	Description	Finish	Part Number	List Prices (USD)
3	1	Wave Spring Washer (For front knob assembly) (10 pack)		54246-000-10	\$10.00
4	1	7104 Latch Bolt Assembly Adjustable 2 3/4" (70 mm) & 2 3/8" (60 mm) backset (Includes 1 ea #4, #29)	Satin Chrome	54444-26D-01	\$29.00
			Bright Brass	54444-03-01	\$29.00
5	1	Retainer Ring (10 pack)		55080-000-10	\$10.00
6	1	Combination Chamber (M-71) Common (For all 7000/7100 Series Locks) (old # 202056)		74660-000-01	\$82.00
7	5	Pushbuttons (10 pack)	Black	200024-106-10	\$11.00
			Silver	200024-109-10	\$11.00
8	2	Screw Thread Forming 6 - 32 UNC x 3/8" (8 mm) Pan Head (For combination chamber) (Includes 10 ea #8, #9)		64776-000-01	\$10.00
9	4	Screw Thread Forming 6 - 32 UNC x 3/8" Flat Head (For Back Plate) (Includes 10 ea #8, #9)		64776-000-01	\$10.00
10	1	Front Lock Housing	Bright Brass	202002-03-01	\$54.00
			Antique Copper	202002-AC-01	\$54.00
			Black	202002-19-01	\$54.00
			Antique White	202002-AW-01	\$54.00
			Satin Chrome	202002-26D-01	\$54.00
			Gold Vein	202002-GV-01	\$54.00
			Silver Vein	202002-SV-01	\$54.00
11	1	7004 Latch Assembly 2 3/4" (70 mm) backset	Satin Chrome	202003-26D-01	\$27.00
			Bright Brass	202003-03-01	\$27.00
12	1	Back Plate Old Style (narrow) (7000 series)		202004-000-01	\$10.00
		Back Plate New Style (wide) (7100 series)		202091-000-01	\$10.00
13	1	Tailpiece (For latch / deadbolt) (Includes 1 ea #13, #14)		64769-000-01	\$10.00
14	1	Tailpiece (For combination change) (Includes 1 ea #13, #14)		64769-000-01	\$10.00
15	1	7106 Rim Deadlocking Latch Inside Back Plate		202012-000-01	\$9.00
16	1	Outside Turn Knob Assembly (Includes 1 ea #3, #5, #16)	Bright Brass	202014-03-01	\$22.00
			Satin Chrome	202014-26D-01	\$22.00
			Antique White	202014-AW-01	\$22.00
			Gold Vein	202014-GV-01	\$22.00
			Silver Vein	202014-SV-01	\$22.00
17	1	Connecting Bolt Pan Head Screws (For 7106) (5 pack)		202021-000-05	\$10.00
18	1	Inside Turn Knob and Rose Assembly For Models 7102, 7104, 7108	Bright Brass	202025-03-01	\$22.00
			Antique Copper	202025-AC-01	\$22.00
			Satin Chrome	202025-26D-01	\$22.00
			Antique White	202025-AW-01	\$22.00
			Gold Vein	202025-GV-01	\$22.00
			Silver Vein	202025-SV-01	\$22.00
19	1	Inside Combination Change Assembly For Models 7102, 7104, 7108	Bright Brass	202026-03-01	\$22.00
			Antique Copper	202026-AC-01	\$22.00
			Satin Chrome	202026-26D-01	\$22.00
			Antique White	202026-AW-01	\$22.00
			Gold Vein	202026-GV-01	\$22.00
			Silver Vein	202026-SV-01	\$22.00
20	1	Force Proof Clutch Assembly (Complete)		202081-000-01	\$24.00
21	1	7106 Combination Change Assembly	Black	202028-19-01	\$22.00
22	1	7102 Deadbolt Assembly 2 3/4" (70 mm) backset	Satin Chrome	202052-26D-01	\$22.00
			Bright Brass	202052-03-01	\$22.00
25	1	7108 Deadbolt Assembly 2 3/8" (60 mm) backset	Satin Chrome	202064-26D-01	\$24.00
			Bright Brass	202064-03-01	\$24.00
26	1	Connecting Bolts - Flat Head Phillips Screws. (For 1 3/8" to 1 7/8" doors) (Includes 4 ea #26, #27)	Satin Chrome	64774-26D-01	\$10.00
			Bright Brass	64774-03-01	\$10.00
27	1	Connecting Bolts - Flat Head Phillips Screws. (Includes 4 ea #26, #27) (For 2" to 2 1/4" doors)	Satin Chrome	64774-26D-01	\$10.00
			Bright Brass	64774-03-01	\$10.00
28	1	Cam Assembly (For 7106 - "C" Up)		202077-000-01	\$8.00
29	1	Cam Assembly (For 7104 - "D" Down)		202080-000-01	\$8.00
30	1	Cam Assembly (For 7102 / 7108 - "D" Up)		202079-000-01	\$8.00
31	1	7102 / 7108 Installation Hardware Kit	Bright Brass	SP7102-03-01	\$22.00
32	1	7102 / 7108 Installation Hardware Kit	Satin Chrome	SP7102-26D-01	\$22.00
33	1	7104 Installation Hardware Kit	Bright Brass	SP7104-03-01	\$22.00
34	1	7104 Installation Hardware Kit	Satin Chrome	SP7104-26D-01	\$22.00
35	1	7106 Installation Hardware Kit	Black	SP7106-19-01	\$22.00
36	1	Lubriplate Aero Grease Tubes		64754-000-01	\$12.00

Note: Lubriplate Aero grease is the "only" lubricant that should be used.



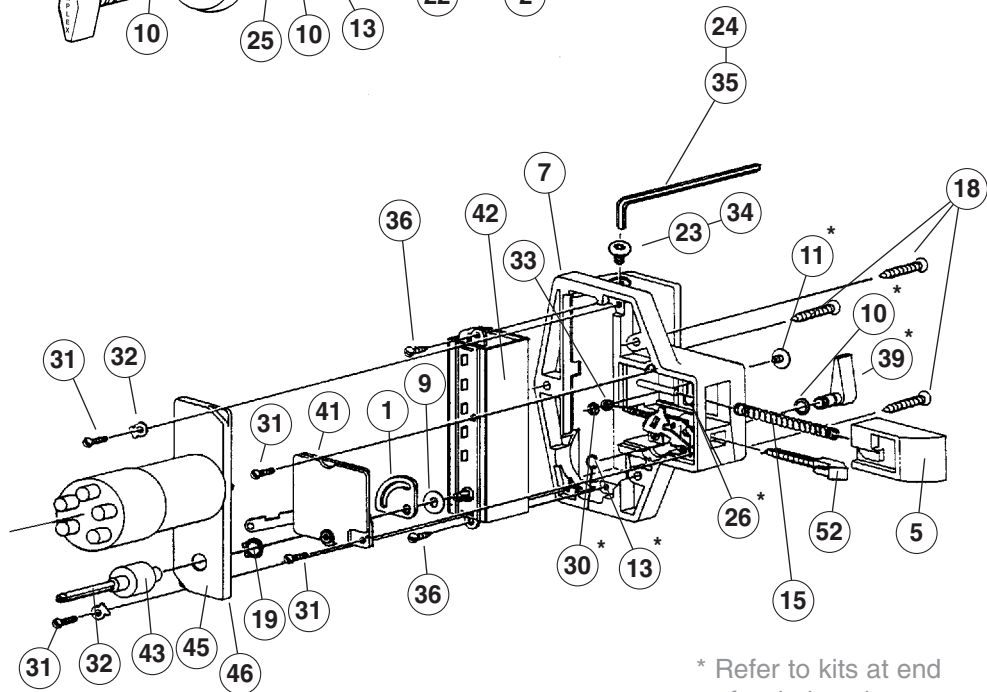
Simplex 900 Series



Continued to NL & DL models below

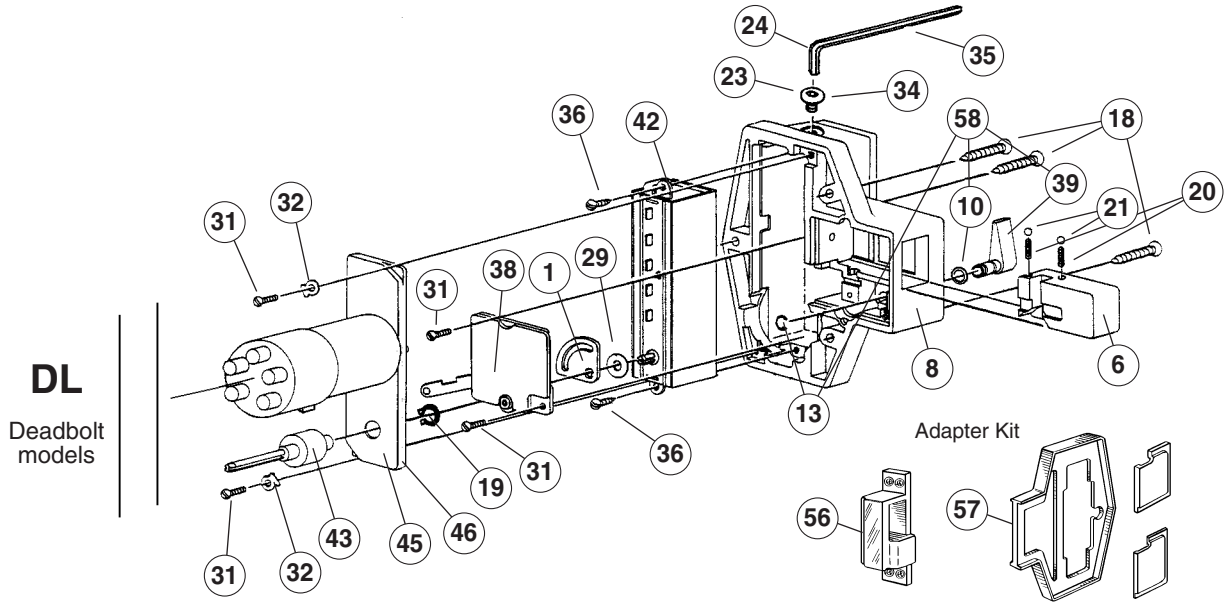
See inside front cover for How to Order instructions

NL
Spring latch models



* Refer to kits at end of ordering chart

900 Series (continued)



Item	Qty/Lock	Description	Finish	Part Number	List Prices (USD)
1	1	Sector Cam (For Combination Chamber Control Shaft)		24046-000-01	\$6.00
2	1	Holding Bracket (For attaching face plate to outside of door)		24063-000-01	\$7.00
4	1	Clip Flange Cover	Satin Chrome	24108-26D-01	\$6.00
			Satin Brass	24108-04-01	\$6.00
5	1	Latch Bolt (For Models 9170000, 9190000, 9350000, 9380000, 9290000, NL)	Satin Chrome	34011-26D-01	\$8.00
			Satin Brass	34011-04-01	\$8.00
6	1	Deadbolt (For Models 9020000, 9040000, 9060000, 9100000, DL)	Satin Chrome	34012-26D-01	\$8.00
			Satin Brass	34012-04-01	\$8.00
7	1	Lock Housing (For Models 9170000, 9190000, 9350000 & 9380000, NL)	Satin Chrome	34021-26D-01	\$24.00
			Satin Brass	34021-04-01	\$24.00
8	1	Lock Housing (For Models 9020000, 9040000, 9060000 & 9100000, DL)	Satin Chrome	34022-26D-01	\$24.00
			Satin Brass	34022-04-01	\$24.00
9	1	Mortise Strike Box	Satin Chrome	34023-26D-01	\$8.00
			Satin Brass	34023-04-01	\$8.00
10	2	Nylon Washer, Spacer (For Face Plate and Inside Knob) (10 pack)		34037-000-10	\$7.00
12	1	Space Collar (For Models 9060000 & 9350000)	Satin Chrome	44112-26D-01	\$6.00
			Satin Brass	44112-04-01	\$6.00
13	2	Knob Retainer Ring (For Face Plate and Inside Knob) (5 pack)		54011-000-05	\$6.00
14	1	Lock washer (For Key Override Assembly) (10 pack)		54029-000-10	\$6.00
15	1	Latch Return Spring (For Models 9170000, 9190000, 9350000, 9380000, 9290000, NL) (10 pack)		54050-000-10	\$10.00
16	2	Strike Mounting Screw (#10 x 1") (10 pack)	Satin Chrome	54052-26D-10	\$8.00
			Satin Brass	54052-04-10	\$8.00
17	1	Flat Strike	Satin Chrome	54053-26D-01	\$6.00
			Satin Brass	54053-04-01	\$6.00
18	3	Housing Mounting Screw (#10 x 1 1/2") (10 pack)	Satin Chrome	54061-26D-10	\$8.00
			Satin Brass	54061-04-10	\$8.00
19	1	Clutch Retainer Ring (10 pack)		54070-000-10	\$9.00
20	2	Spring (For Deadbolt Ball Bearings) (10 pack)		54074-000-10	\$6.00
21	2	Ball Bearings (For Deadbolt) (10 pack)		54075-000-10	\$6.00
22	2	Holding Bracket Screw (#7 x 1/2" Sheet Metal) (10 pack)		54077-000-10	\$6.00
23	1	Allen Head Button Screw (#10 x 32) Kit (Includes 1 ea #23, #24)	Satin Chrome	54082-26D-01	\$8.00
			Satin Brass	54082-04-01	\$8.00
24	1	Allen Wrench (1/8") Kit (Includes 1 ea #23, #24)	Satin Chrome	54082-26D-01	\$8.00
			Satin Brass	54082-04-01	\$8.00
25	1	Shake proof Spring Washer (For Face Plate Assembly) (10 pack)		54084-000-10	\$8.00
26	1	Latch Button Spring (For Latch Holdback Assembly) (Includes 1 ea #11, #26, #30, #33)	Satin Chrome	74469-26D-01	\$8.00
			Bright Brass	74469-03-01	\$8.00
27	1	Flange Washer (For Key Override Cylinder)	Satin Chrome	54097-26D-01	\$6.00
			Satin Brass	54097-04-01	\$6.00

900 Series (continued)

Item	Qty/Lock	Description	Finish	Part Number	List Prices (USD)
28	2	Screw (For Securing Key Override Cylinder) (10 pack)		54099-000-10	\$6.00
29	2	Washer, Shim (For Combination Chamber) (10 pack)		54109-000-10	\$5.00
30	1	Retainer Clip, E-Ring (For Latch Holdback Assembly) (Includes 1 ea #11, #26, #30, #33)	Satin Chrome	74469-26D-01	\$8.00
			Bright Brass	74469-03-01	\$8.00
31	2	Screw Panhead (#4 - 40 x 3/16") (For Securing Gear Plate) (10 pack)		54117-000-10	\$5.00
32	2	Washer (For Mounting Center Plate) (10 pack)		54120-000-10	\$5.00
33	1	Washer (For Latch Holdback Assembly) (Includes 1 ea #11, #26, #30, #33)	Satin Chrome	74469-26D-01	\$8.00
			Satin Brass	74469-04-01	\$8.00
34	1	Tamper Proof Access Screw Kit (Includes 1 ea #34, #35) (For Combination Change)	Satin Chrome	54133-26D-01	\$10.00
			Satin Brass	54133-04-01	\$10.00
35	1	Tamper Proof Allen Wrench Kit (Includes 1 ea #34, #35) (For Removing Tamper Access Screw)	Satin Chrome	54133-26D-01	\$10.00
			Bright Brass	54133-03-01	\$10.00
36	2	Round Head Sheet Metal Screw (#5 x 3/16") (Combination Chamber) (10 pack)		54144-000-10	\$6.00
37	1	Key Blank (For Key Override Cylinder)		54266	\$3.00
38	1	Gear Plate Assembly* (For locks without key bypass for Models 9020000, 9040000, DL)		74042-2-000-01	\$13.00
41	1	Gear Plate Assembly (For locks without key bypass) (For Models 9170000, 9190000, NL)		74071-000-01	\$13.00
42	1	Combination Chamber (M-55) Dimensions: 7/8" x 15/16" x 3 7/8" (22 mm x 24 mm x 98 mm) (Includes 1 ea #1, #9, #42)		74080-000-01	\$53.00
43	1	Ball Bearing Clutch Assembly (For connecting outside turn knob) (Includes 1 ea #19, #43)		74103-000-01	\$9.00
44	1	Face Plate with Outside Knob (Includes 1 ea #3 #10, #13, #25, #40)	Satin Chrome	74118-26D-01	\$13.00
			Satin Brass	74118-04-01	\$13.00
45	1	Center Plate and Barrel Assembly with Metal Buttons (100 Series) (For 9020000, 9060000, 9170000, 9350000)	Satin Chrome	74124-26D-01	\$22.00
			Satin Brass	74124-04-01	\$22.00
46	1	Center Plate and Barrel Assembly with Metal Buttons (200 Series) (For 9040000, 9100000, 9190000, 9380000, 9290000)	Satin Chrome	74125-26D-01	\$22.00
			Satin Brass	74125-04-01	\$22.00
47	1	Key Override Cylinder (For 1 3/4" - 2 1/8" Thick Door)	Satin Chrome	74161-26D-01	\$47.00
			Satin Brass	74161-04-01	\$47.00
48	1	Gear Plate Assembly* for Key Bypass Locks (For 9350000) (NLM 100)		74162-1-000-01	\$18.00
49	1	Gear Plate Assembly* for Key Bypass Locks (For 9380000) (NLM 200)		74163-1-000-01	\$18.00
50	1	Gear Plate Assembly* for Key Bypass Locks (For 9060000) (DLM 100)		74164-1-000-01	\$18.00
51	1	Gear Plate Assembly* for Key Bypass Locks (For 9100000) (DLM 200)		74167-1-000-01	\$18.00
52	1	Trigger Assembly (For NL + NLM Models)	Satin Chrome	74290-26D-01	\$8.00
			Satin Brass	74290-04-01	\$8.00
53	1	Drill Jig "C" Clamp (For wood doors) (Not Shown on Exploded View)		74300-000-01	\$140.00
54	1	Metal Template (Not Shown on Exploded View)		74301-000-01	\$89.00
55	1	Clip and Flange Assembly	Satin Chrome	74414-26D-01	\$6.00
			Satin Brass	74414-04-01	\$6.00
56	1	Surface-mounted Cast Strike (For metal door frames; spacers included) (Not Shown on Exploded View)	Satin Chrome	74464-26D-01	\$7.00
			Satin Brass	74464-04-01	\$7.00
57	1	Riser Plate to Shim Lock Housings 1/4" (6 mm) or 3/8" (10 mm) (Not Shown on Exploded View)	Satin Chrome	74468-26D-01	\$9.00
			Satin Brass	74468-04-01	\$9.00

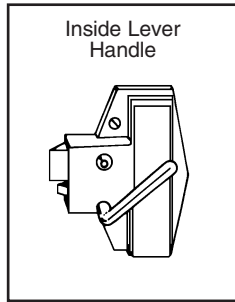
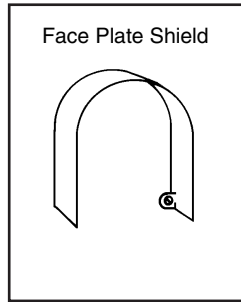
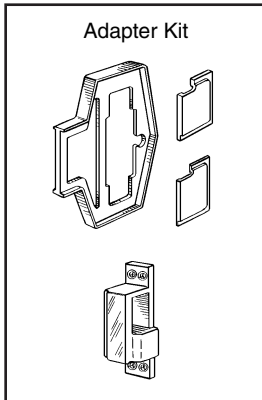
Additional Kits not shown in drawing

Item	Qty/Lock	Description	Finish	Part Number	List Prices (USD)
58	1	Latch Holdback Assembly Slide Button Activated for NL + NLM Models (Includes 1 ea #11, #26, #30, #33)	Satin Chrome	74469-26D-01	\$8.00
			Satin Brass	74469-04-01	\$8.00
59	1	Outside Knob Assembly – Includes Hardware (Includes 1 ea #10, #13, #25, #40)	Satin Chrome	74470-26D-01	\$8.00
			Satin Brass	74470-04-01	\$8.00
60	1	Inside Knob Assembly – Includes Hardware (Includes 1 ea #10, #13, #39)	Satin Chrome	74471-26D-01	\$9.00
			Satin Brass	74471-04-01	\$9.00

Note: Lubriplate Aero grease is the "only" lubricant that should be used.

900 Series (continued)

OPTIONS AND ACCESSORIES

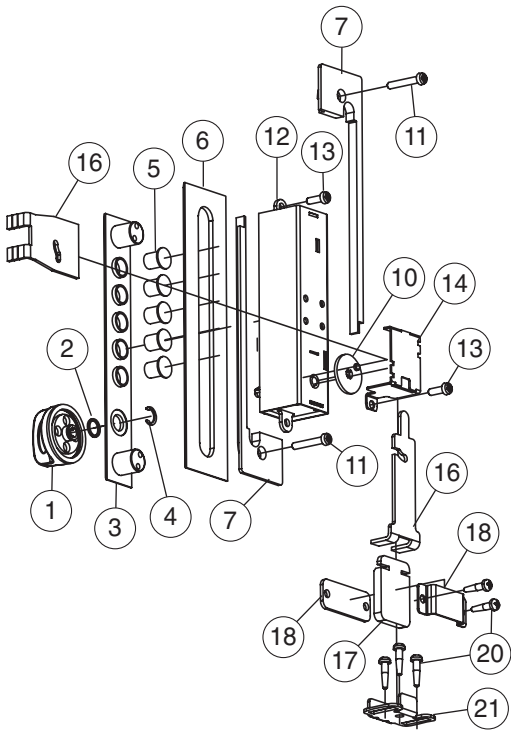


Description	Old Product #	Product #	List Prices (USD)
Adapter Kit for Doors With Metal Frames. (Includes riser plates and surface strike)	(74464/74468)	800-04-41	\$14.00
	(74464/74468)	800-26D-41	\$14.00
Face Plate Shield (not for key override)	(24081-000-01)	805-26D-41	\$26.00
Master Keys - For Key Override Models	(54266-1)	54266-1-11	\$11.00
Cut Keys - Service Keys for Key Override Models	(54266-2)	54266-2-11	\$5.00
Blank Keys		54266	\$3.00
Inside Lever Handle		74437-04-01	\$32.00
		74437-26D-01	\$32.00
Panic Bar Release Kit		74438-04-01	\$32.00
		74438-26D-01	\$32.00

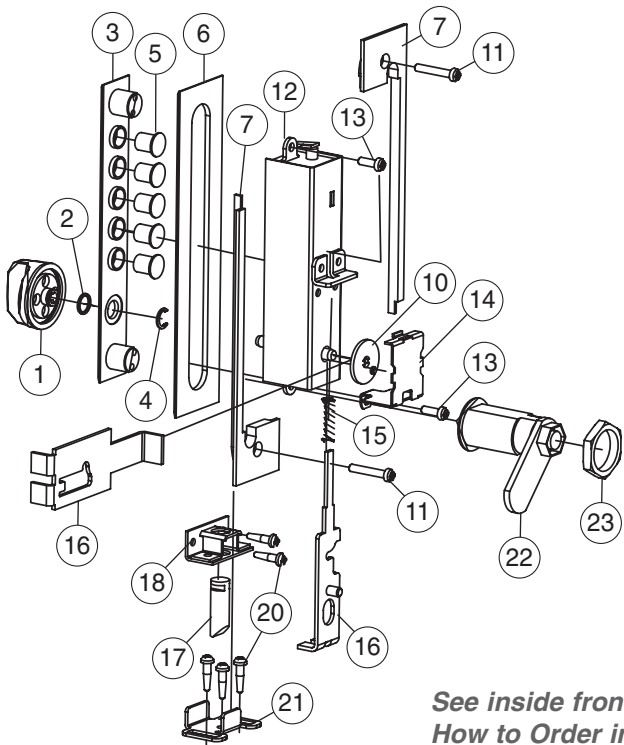
9600 Series Exploded View



962 Wood/Deadbolt

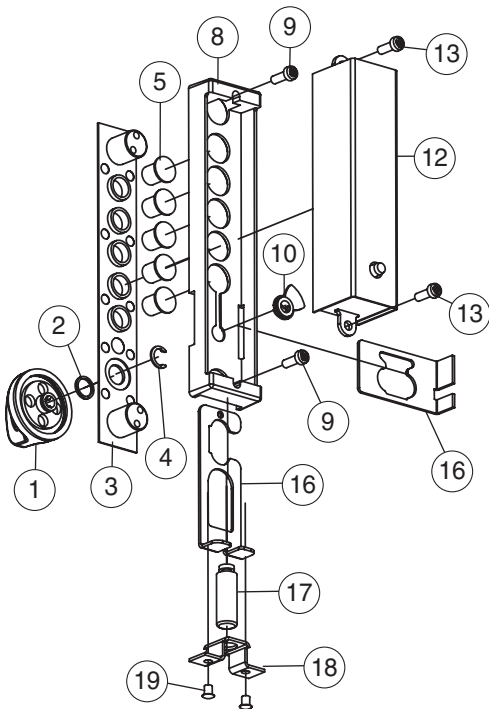


962 Wood/Spring Latch

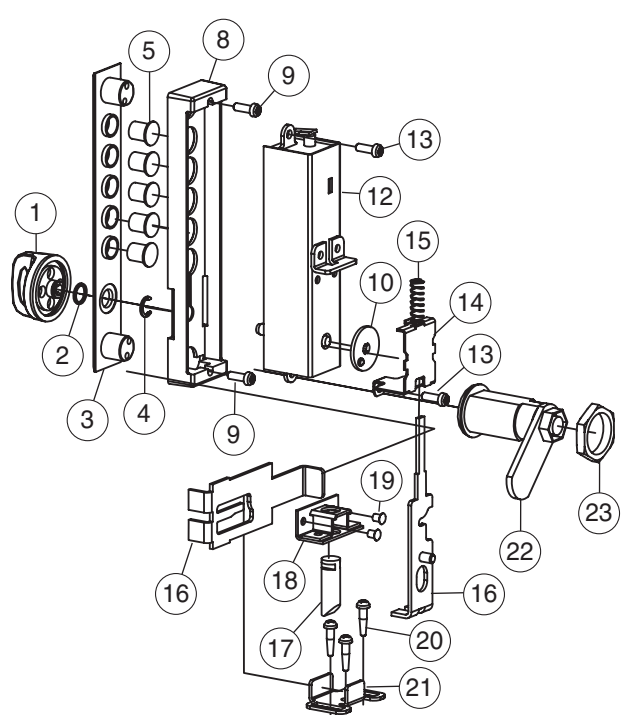


See inside front cover for
How to Order instructions

966 Sheet Metal/Deadbolt



966 Sheet Metal/Spring Latch



9600 Series (continued)

Item	Qty/Lock	Description	Finish	Part Number	List Prices (USD)
1	1	Clutch Knob Kit (Includes 1 ea. #1, #2, #4)	Black	74906-083-01	\$12.00
2	1	Nylon Spacer (10 pack)		34037-000-10	\$10.00
3	1	Escutcheon Plate (fits wood application without trim plate) (sm 14-20 gauge)		34031-std-*01	\$10.00
		Escutcheon Plate (fits .125 wood application with trim plate) (sm 1/8" metal)		34031-125-*01	\$10.00
		Escutcheon Plate (fits .188 sheet metal applications) (sm 3/16" metal)		34031-188-*01	\$10.00
		Escutcheon Plate (fits .250 sheet metal applications) (sm 1/4" metal)		34031-250-*01	\$10.00
4	1	Knob Retainer Clip (10 pack)		54011-000-10	\$10.00
5	5	Push Buttons (.406" long)	Black	34019-106-10	\$11.00
		(.590" long) (fits .188 and .250 sheet metal applications)	Black	200024-106-10	\$11.00
6	1	Trim Plate	Black	34005-083-01	\$8.00
7	2	Back Cover Plate (2 pack)		34006-01	\$10.00
8	1	Back Up Plate		34173-01	\$10.00
9	2	Back Up Plate Screws (7/16" long) (sheet metal)		54430-000-10	\$8.00
10	1	Cam Kit (CT sheet metal, non-spring loaded applications) (assy required) (Includes 1 ea #10, #16, retainer ring)		24209-000-01	\$12.00
		Cam Kit (CT wood, deadbolt applications) (Includes 1 ea #10, #14, #16)		24043-000-01	\$12.00
		Cam Kit (CT wood/sheet metal spring loaded bolt applications) (Includes 1 ea #10, #14, #15, #16)		24509-000-01	\$12.00
		Cam Kit (ET sheet metal, non-spring loaded applications) (assy required) (Includes 1 ea #10, #16, retainer ring)		74104-000-01	\$12.00
		Cam Kit (ET wood/sheet metal, spring loaded bolt applications) (Includes 1 ea #10, #14, #15, #16)		74570-000-01	\$12.00
		Cam Kit (ET wood deadbolt applications) (Includes 1 ea #10, #14, #16)		24036-000-01	\$12.00
11	2	Cover Plate Screws (#5 - 40 x 5/8" (16mm))		54427-000-10	\$8.00
		Wood Machine Screw (10 pack)			
		Cover Plate Screws (#5 - 40 x 3/4" (19mm))		54429-000-10	\$8.00
		Wood Machine Screw (10 pack)			
12	1	Combination Chamber Kit with Spring Return (Includes 1 ea #1, #2, #4, #12)		74881-000-01	\$60.00
		Combination Chamber Kit with Spring Return with no spring return (Includes 1 ea #1, #2, #4, #12)		74662-000-01	\$60.00
		Combination Chamber Kit with Spring Return with spring loaded latch (Includes 1 ea #1, #2, #4, #12)		74662-000-01	\$60.00
		Combination Chamber Kit with Spring Return used on 2 point ET lock (Includes 1 ea #1, #2, #4, #12)		74910-000-01	\$60.00
		Combination Chamber Kit with Spring Return used on 2 point ET lock (Includes 1 ea #1, #2, #4, #12)		74662-000-01	\$60.00
13	2	Combination Chamber Screw Kit (#5 - 40 X 3/8" long (8mm))		74678-000-01	\$60.00
14	1	Cam Cover (Included in kits - see # 16)		54428-000-10	\$8.00
15	1	Follower Spring (ET spring loaded bolt only) (10 pack)		54300-000-10	\$8.00
16	1	Follower Kit (Sheet metal/wood, CT, spring loaded bolt) (Includes 1 ea #10, #14, #15, #16)		24509-000-01	\$12.00
		Follower Kit (Sheet metal/wood, ET, spring loaded bolt) (Includes 1 ea #10, #14, #15, #16)		74570-000-01	\$12.00
		Follower Kit (Sheet metal, CT, deadbolt) (Includes 1 ea #10, #16, bushing and retainer (Not Shown))		24209-000-01	\$12.00
		Follower Kit (Sheet metal, ET, deadbolt) (Includes 1 ea #10, #16, bushing and retainer (Not Shown))		74104-000-01	\$12.00
		Follower Kit (Wood, CT, non-spring loaded) (Includes 1 ea #10, #14, #16)		24043-000-01	\$12.00
		Follower Kit (Wood, ET, non-spring loaded) (Includes 1 ea #10, #14, #16)		24036-000-01	\$12.00
		Follower Kit (Wood, ET, non-spring loaded) (Includes 1 ea #10, #14, #16)		24036-000-01	\$12.00
17	1	Latch Bolt Kit (Deadbolt, Round, Sheet metal) (Includes 1 ea #17, #18, #19)		74030-000-01	\$9.00
		Latch Bolt Kit (Deadbolt, Flat, Rectangular, Wood) (Includes 1 ea #17, #18, #21; 2 ea #11; 5 ea #20)		74561-000-01	\$9.00
		Latch Bolt Kit (Spring Loaded Bolt, Round, Sheet metal or wood) (Includes 1 ea #17, #18, #21; 2 ea #19; 5 ea #20)		74702-000-01	\$9.00
18	1	Bolt Guide (Included in #17 kit above)			
19	2	Rivets (10 pack)		54030-018-10	\$8.00
20	5	Bracket Screws (Fit wood or metal) (10 pack)		54016-000-10	\$8.00
21	1	Strike (fits TM, RM) (Included in #17 kit above)			
22	1	Key Override Cylinder (Includes 1 ea #22, #23) (Specify key cut)		74573-**01	\$13.00
23	1	Cylinder Nut (Includes 1 ea #22, #23)		74573-**01	\$13.00
24	1	Lubriplate Aero Grease Tubes		64754-000-01	\$12.00

* Specify Finish: 03 - Bright Brass
04 - Satin Brass
26D - Satin Chrome

**Specify Key Cut

Notes:

- If an item number is included in a kit description, unless noted, that number is referencing the item number on the previous page.
- If an item number is not shown on a picture you are referencing, then it is not used on that model.
- Lubriplate Aero grease is the "only" lubricant that should be used.



File Guards Locks & Pricing






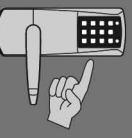
Description	Part Number	List Prices (USD)
Replacement Cylinder for F2580 Series Bar	A6828SC	\$15.00
"Standard" Clevis Pin 3/8" Thread	F9451	\$8.00
"Standard" Clevis Pin 3" Thread	F9452	\$9.00
"Swing-Away" Clevis Pin 3/8" Thread	F9453	\$8.00
"Swing-Away" Clevis Pin 3" Thread	F9454	\$9.00
Notch Pin 3/8" Thread	F9460	\$8.00
Notch Pin 3" Thread	F9463	\$9.00
"Standard" Notch & Clevis Pin Set 3/8" Thread (2500 Series Accessory Pack)	F9470	\$15.00
"Standard" Notch & Clevis Pin Set 3" Thread	F9471	\$18.00
"Swing-Away" Notch & Clevis Pin Set 3/8" Thread (2570 Series Accessory Pack)	F9472	\$15.00
"Swing-Away" Notch & Clevis Pin Set 3" Thread	F9473	\$18.00
"Build-In-Lock" Notch Pin Set 3/8" Thread (2580 Series Accessory Pack)	F9474	\$15.00
Reinforcing Pin Plate	F9475	\$5.00
Cam Cover, ET	24035-000-01	\$6.00
Cam, ET	24042-000-01	\$5.00
Bolt Retainer	24436-000-01	\$5.00
Follower Plate, ET	24437-000-01	\$7.00
Push Buttons (10 pack)	34019-106-10	\$11.00
Spacer Washer (10 pack)	34037-000-10	\$10.00
Lock Housing - Black - PBL	34130-012-01	\$13.00
Lock Housing - Almond - PBL	34130-219-01	\$13.00
Locking Bolt, Round	44289-000-01	\$6.00
Combination Chamber (Includes turn knob kit below)	74662-000-01	\$60.00
Turn Knob (Includes knob, spacer, retainer)	74906-003-01	\$12.00
Mounting Screw (10 screws x 3 sizes)	64776-000-01	\$10.00

Note: Lubriplate Aero grease is the "only" lubricant that should be used.

A Solution for Every Door ... and Every Budget

MECHANICAL	
SIMPLEX® 5000	SIMPLEX® L1000
	
ACCESS CREDENTIALS	ACCESS CREDENTIALS
NUMBER OF ACCESS CODES SINGLE CODE	NUMBER OF ACCESS CODES SINGLE CODE
LOCKING DEVICE OPTIONS	LOCKING DEVICE OPTIONS
KEY OVERRIDE K-I-L I/C, R/C	KEY OVERRIDE I/C, R/C
CERTIFICATIONS BHMA CERTIFIED UL	CERTIFICATIONS UL
OPTIONS PASSAGE KNOB EXTERIOR/INTERIOR COMBINATION CHANGE	OPTIONS INTERIOR COMBINATION CHANGE KNOB PASSAGE PRIVACY/LOCKOUT

KABA
Kaba Access Control
2941 Indiana Avenue
Winston-Salem, NC 27105 U.S.A.
Tel.: 800 849 8324 or 336 725 1331
Fax: 800 346 9640 or 336 725 3269
Web: www.kabaaccess.com

ELECTRONIC			
E-PLEX® 5700	E-PLEX® 5200	E-PLEX® 5000	E-PLEX® 2000
			
ACCESS CREDENTIALS	ACCESS CREDENTIALS	ACCESS CREDENTIALS	ACCESS CREDENTIALS
NUMBER OF ACCESS CODES 3,000 CODES/CARDS	NUMBER OF ACCESS CODES 3,000 CODES	NUMBER OF ACCESS CODES 100 CODES	NUMBER OF ACCESS CODES 100 CODES
LOCKING DEVICE OPTIONS	LOCKING DEVICE OPTIONS	LOCKING DEVICE OPTIONS	LOCKING DEVICE OPTIONS
KEY OVERRIDE K-I-L I/C, R/C	KEY OVERRIDE K-I-L I/C, R/C	KEY OVERRIDE K-I-L I/C, R/C	KEY OVERRIDE K-I-L
CERTIFICATIONS BHMA CERTIFIED UL CE	CERTIFICATIONS BHMA CERTIFIED UL CE	CERTIFICATIONS BHMA CERTIFIED UL CE	CERTIFICATIONS UL CE

E-PLEX® — STANDARD FEATURES

- Passage
- Automatic Passage Re-Lock
- Lockout
- Service Codes
- Tamper Shutdown
- Indoor/Outdoor

OPTIONS PRIVACY KNOB REMOTE RELEASE ENTRY/EGRESS	OPTIONS PRIVACY KNOB REMOTE RELEASE ENTRY/EGRESS	OPTIONS PRIVACY KNOB REMOTE RELEASE ENTRY/EGRESS	OPTIONS PRIVACY KNOB REMOTE RELEASE ENTRY/EGRESS
SOFTWARE PROGRAMMING	SOFTWARE PROGRAMMING	SOFTWARE PROGRAMMING	SOFTWARE PROGRAMMING
AUDIT CAPABILITIES 30,000 EVENTS	AUDIT CAPABILITIES 30,000 EVENTS	AUDIT CAPILITIES 3,000 EVENTS	AUDIT CAPILITIES 3,000 EVENTS
ACCESS SCHEDULES	ACCESS SCHEDULES	ACCESS SCHEDULES	ACCESS SCHEDULES