

ADMINISTRATIVE
OFFICES



Simplex®

SIMPLEX®

Mechanical Pushbutton Locks

Keyless Convenience

1

 **KABA®**
TOTAL ACCESS

Keyless Convenience



Security—without the headache of key management.

Issuing, replacing and controlling keys can be a headache for both large and small facilities. Kaba's® Simplex® mechanical pushbutton locks eliminate those headaches by using a PIN code instead of keys for access by all authorized users. One code — that's all you have to remember or keep up with — nothing tangible like a key or magnetic card, no batteries to replace in the lock, and no software or computers to control the lock's operation.

Simple as 1-2-3.

PIN codes are made up of any combination of one to five numbers (pressed individually or simultaneously). The locks allow thousands of possible PIN code combinations. PIN codes are quickly and easily changed without removing the lock from the door. Eliminates normal expense associated with the issue, control, and collection of keys and magnetic cards.

All buildings, large or small.

Mechanical pushbutton locks are a great solution for controlling access between public and private areas. The locks are ideal for locations with regular personnel turnover, like data processing centers, employee entrances, research labs, apartment complexes, and dormitories. They perform nicely in conjunction with other security access systems, or as stand-alone security alternatives in smaller building applications.





Cabinet Locks



Protect smaller assets with Simplex® Cabinet Locks. The PIN code combination locks can be used on cabinets storing detergents, cleaners, bleaches, liquor, medicines, and all other chemicals. Cabinet locks also secure power tools, guns, audio-video equipment, and other valuable items.



File Guard™



File Guard converts ordinary filing cabinets into security cabinets for confidential, classified, and secret documents. The PIN combination means high security with keyless convenience.

Keyless Convenience



Light Commercial and Residential Locks



Kaba's® complete line of Simplex® light commercial and residential locks provide the same added security features you find in our complete line of heavy-duty locks.

The 900 series' unique teardrop shape mounts above your existing lock or can be used alone to provide quick, keyless entry for commercial or residential applications. The 7100 and 6200 series can also be used alone, or with another lock in residential applications. Optional model features include spring latch, deadbolt, key override, and panic exit device. The rugged all-metal construction is weather resistant, providing added strength and durability.



Features for every environment.

Simplex® mechanical pushbutton locks by Kaba® work with cylindrical, mortise, and exit device installation. Locks install easily on metal or wood doors — no wiring or computers.

Other features include:

- Easy to maintain — no batteries to replace.
- Durable heavy-duty construction makes Simplex® locks suitable for outdoor applications, while their attractive finishes complement any indoor setting.
- Removable or interchangeable cores.
- Optional key override gives emergency personnel quick access to your facility.
- Optional lockout prohibits anyone from entering the facility, even with a PIN code.
- Electric release models give access control to a receptionist via switch button.
- Optional passage feature allows entry without using a PIN code.

A long history.

With 40 years in the marketplace, Simplex mechanical pushbutton locks continue to be the durable, reliable choice for many facility managers today. The locks are dependable, easy to maintain, and flexible to meet the needs of today's fast-paced environment.





Keyless Convenience



Simplex® 5000 Series

The latest addition to the line of mechanical pushbutton locks, the Simplex 5000 offers unparalleled strength, convenience, and flexibility. This extra heavy-duty lock contains internal drive parts of cast stainless steel and a clutch-free direct-drive design.

Buttons are easy to press, and its sleek design will fit nicely with any existing décor. Designed for simplest installation possible, non-handed design fits both left and right hand doors — handing changes in seconds.

Kaba backs the Simplex 5000 with a three-year warranty.





Simplex® 1000 Series

The 1000 family offers a tried and true way to protect your assets. The heavy-duty locks in this family are dependable, reliable, and flexible enough to fit any security need in airports, apartment buildings, college dorms, or manufacturing plants. Choose from knobs, levers, exit devices, exit PIN code locks, and a variety of other model features in this diverse family of locks.



Simplex® 3000 and 3100 Series Narrow Stile Commercial Locks



Simplex narrow stile heavy-duty commercial locks, the 3000 and the 3100, provide the perfect security answer for narrow stile glass door entryways. A simple keyless option great for shops or banks, the locks come with optional key override and passage. The remote electric release model is a great solution for receptionists granting access to visitors by pressing a button at his/her desk.

Simplex® 5000 Series Extra Heavy-Duty Lock



Simplex® 5000 Series

Description

The latest addition to the line of mechanical pushbutton locks, the Simplex® 5000 offers unparalleled strength, convenience, and flexibility. Exterior access is by combination. Egress is by interior lever and is free at all times.

Application

Ideal for high-traffic security-sensitive areas where access control is required:

- Commercial
- Industrial
- Educational
- Governmental
- Lodging
- Multi-Unit Residential Settings
- Military
- Institutions

Perfect for high employee-turnover locations:

- Data processing centers
- Employee entrances
- R&D labs
- Motels
- Dormitories
- Volunteer Fire Departments
- Hospitals
- Airports
- Telephone Companies
- Fast Food Chains
- Banks

Features

- **Extra heavy-duty:** Internal drive parts of cast stainless steel.
- **Direct-drive design:** Clutch-free, decreasing possibility of internal breakage and the subsequent linkage repairs.
- **Non-handed:** Fits left and right hand doors - changes in seconds.
- **Easy to install:** Fewer parts, better fit, simpler instructions.
- Three-year warranty.

Optional Features

- Combination change from secure (interior) side of door with special tool for higher security. Meets DOD requirements and precludes unauthorized access to combination changes.

Simplex® 5000 Series

Extra Heavy-Duty Lock

Mechanical Features

Construction:	Extra heavy-duty cylindrical lock; solid cast housing and solid cast zinc levers, stainless steel cylindrical drive components															
Installation:	ASA 161 door preparation with 4 additional through bore holes; retrofits cylindrical & tubular locksets with a 2¾" (70 mm) backset															
Door handing:	Non-handed, field reversible (pre-assembled for left-hand door installations)															
Numeric pushbuttons:	Vandal resistant, 5 button, plus Enter button, anodized aluminum, mechanical															
Weight:	8.0 lbs. (3.65 kg)															
Strike:	ASA and standard strike plates are included															
Backset:	2¾" (70 mm)															
Latch:	½" (13 mm) throw latch, floating face plate ¾" (19 mm) throw latch, beveled face plate															
Key override:	Universal key-in-lever cylinder (XK) with Universal Kaba High security 1539 6-pin cylinder included. Kaba 90 keyway, keyed different. Tailpieces included for compatibility with the following cylinders: <table border="0"> <tr> <td>Abloy 5277</td> <td>Abloy 5477</td> <td>Arrow C 100</td> </tr> <tr> <td>ASSA 65611</td> <td>ASSA 65691</td> <td>Australian</td> </tr> <tr> <td>Corbin / Russwin 2000-03</td> <td>Kaba Ilco 1599</td> <td>Kaba 1539</td> </tr> <tr> <td>Marks</td> <td>Medeco 20W200H1</td> <td>Sargent 10 Line</td> </tr> <tr> <td>Schlage 23-001</td> <td>Schlage Primus 20-760</td> <td></td> </tr> </table> Models prepared for small format interchangeable cores: Best compatibles (6 or 7 pin length). Models prepared for large format removable cores: Schlage, Medeco, ASSA, and Yale.	Abloy 5277	Abloy 5477	Arrow C 100	ASSA 65611	ASSA 65691	Australian	Corbin / Russwin 2000-03	Kaba Ilco 1599	Kaba 1539	Marks	Medeco 20W200H1	Sargent 10 Line	Schlage 23-001	Schlage Primus 20-760	
Abloy 5277	Abloy 5477	Arrow C 100														
ASSA 65611	ASSA 65691	Australian														
Corbin / Russwin 2000-03	Kaba Ilco 1599	Kaba 1539														
Marks	Medeco 20W200H1	Sargent 10 Line														
Schlage 23-001	Schlage Primus 20-760															
Door thickness:	1⅜" (35 mm) to 2¼" (57 mm) Pre-assembled to accommodate doors 1⅝" to 2" (41 to 51 mm)															
Finish:	Satin Chrome 26D (626), lifetime Satin Brass 04 (606), Duranodic 55 (695), lifetime Bright Brass 03 (605), Black (676)															
Minimum stile requirement:	5" (127 mm)															

Lock Operation

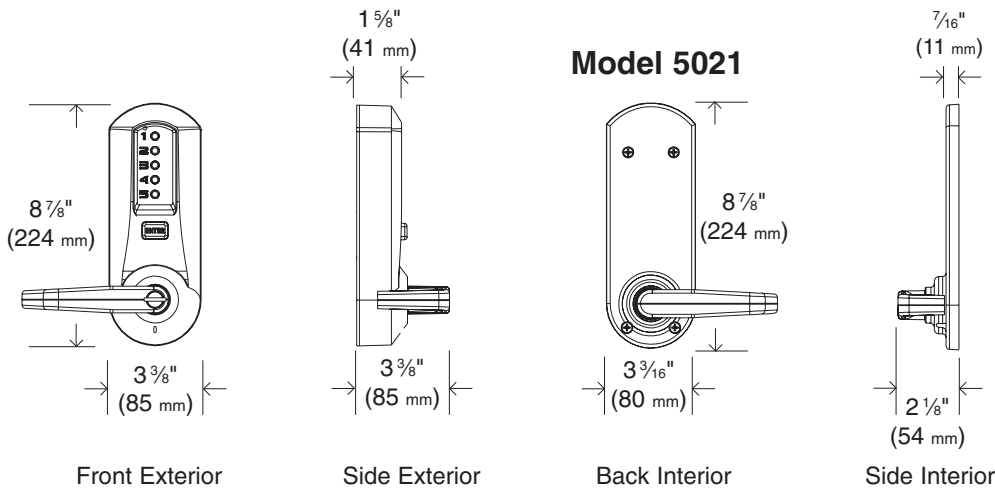
Combination code:	One code per lock made of any combination of one to five numbers (pressed individually or simultaneously)
Number combinations:	Thousands of possible combinations
Code changing:	Accomplish with the lever release combination change tool from the lock exterior (model 5021) or from the lock interior (model 5031)
Emergency access:	Mechanical key override

Certification and Testing

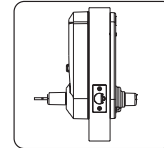
Accessibility standard:	Americans with Disabilities Act (ADA)
Fire rating:	Three-hour UL/ULC Fire rating for "A" label doors
Environmental operating conditions:	Highly weather resistant
Durability:	ANSI/BHMA A156.2, Grade 1 Certified
Warranty:	3 years

Simplex® 5000 Series Extra Heavy-Duty Lock

Simplex®

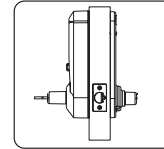


Model 5021



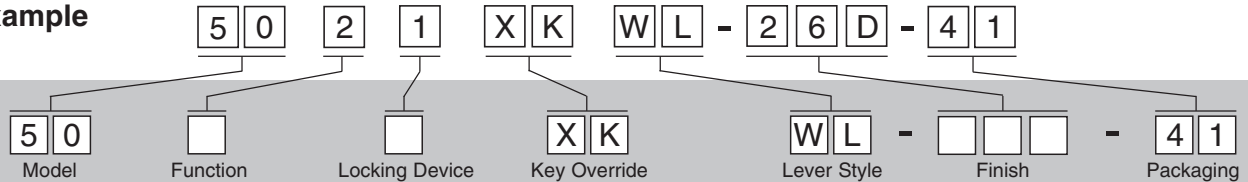
- Combination Entry
- Key Override
- Combination change from exterior

Model 5031



- Combination Entry
 - Key Override
 - Combination change from interior
- (Required by Department of Defense)

Example



Build the model number with the desired options

Model	Function	Locking Device	Key Override	Lever Style	Finishes	Packaging
50 5000 Series Cylindrical lock	2 Combination entrance - standard	1 1/2" (13 mm) throw latch floating face plate	Removable Core Cylinders Compatible with removable core cylinders (not supplied)	WL Lever	26D Satin Chrome (626)	41 1 per box
	3 Combination entrance - combination change from secure (interior) side of door. Meets DOD regulations	2 3/4" (70 mm) backset	C Corbin/Russwin		04 Satin Brass (606) Lifetime finish	Locks shipped 4 per case
	4 Combination entrance - standard Passage	5 3/4" (19 mm) throw latch beveled face plate	M* Medeco/ASSA/Yale (6-pin length). *5-pin Medeco cylinder requires a special knob spacer. Request spacer when ordering, part number 201569 (supplied free of charge)		55 Duranodic (695)	
	5 Combination entrance - combination change from secure (interior) side of door. Meets DOD regulations. Passage	2 3/4" (70 mm) backset	R Sargent		03 Bright Brass (605) Lifetime finish	
			S Schlage		676 Black	
				Items supplied with the lock		
				<ul style="list-style-type: none"> • Latch • ASA strike • Standard strike plate • Strike Box • Installation Manual • Full-scale template 		
				Cylinder model only		
				<ul style="list-style-type: none"> • Universal Kaba High Security 1539 6-pin cylinder with tailpiece • Four additional tailpieces • Spare inside lever set screw • Lever release combination change tool • Hardware required for thin and thick door installations. • Two nickel silver keys • Spare cylinder retainer 		
				Key Override		
				Interchangeable Core (not supplied) <ul style="list-style-type: none"> B Best & Compatibles (6 or 7-pin length) 		
				Key-In-Lever Cylinder <ul style="list-style-type: none"> XK Key-in Lever Cylinder (cylinder included-Kaba keyway) XS Key-in Lever Cylinder (cylinder included-Schlage keyway) 		

Access Control Catalog - June 2004



Simplex® 1000, L1000, EE1000, 8100 Series Heavy-Duty Locks



Simplex® 1000 Series

Application

The Heavy Duty product family provides exterior access by combination, while allowing egress to be free, by combination or with an exit device. The Heavy Duty product family locksets limit access to high-traffic, security-sensitive areas in commercial, institutional, residential, industrial, government and military buildings. These locks are ideal for locations with frequent personnel turnover such as data processing centers, employee entrances, motels, dormitories, volunteer fire departments, and in hospitals and airports.

Features

- **Ease of installation:** The 1000, L1000, and EE1000 locks retrofit cylindrical and tubular locksets with 2¾" (70 mm) backset. 8100 Series retrofits standard (86) mortise preparation with optional deadbolt.
- An inside trim plate adds to the ease of installation and aesthetic appeal of the cylindrical and tubular or mortise lockset.



Simplex® L1000 Series

Optional Features

Key override: Can be used to override the lock combination and gain access using a key. This feature allows emergency access to facilities and allows them to initiate or maintain a master-keyed security system (keyed alike or keyed differently). The lock accepts removable core cylinders, which is a recommended feature for single door accessed areas.

- **Model EE1000:** Key override is available on one or both sides of lock.



Simplex® EE1000 Series

Passage: Allows access without using the lock entry code, keeping the door unlocked even while closed. This feature is activated from the inside with a thumbturn or key (included with all passage feature models).

Lockout (privacy): Disables the lock from the inside so that entry codes cannot be used to gain access. Access is permitted using the key override only.

- **Model L1071:** Privacy feature is activated by a button on inside lever. Door must be closed to activate.
- **Model 8100:** Lockout feature is activated from the inside with a key.



Simplex® 8100 Series

Simplex® 1000 Series Heavy-Duty Lock

Mechanical Features

Construction:	Heavy-duty cylindrical lock housing with cast front housing; brass unified trim plate; wrought brass knobs
Installation:	ASA 161 door preparation with additional through bore holes required: (1) 1" (25mm) diameter for combination change, (2) ¼" (6mm) for mounting lock, and (1) 1" (25mm) diameter for optional passage feature; (1) 1" (25 mm) diameter cross bore for latch.
Door handing:	Factory-handed for left hand doors; field reversible
Numeric pushbuttons:	Vandal resistant, 5 button, anodized aluminum, mechanical
Weight:	7.25 lbs. (4.5 kg)
Strike:	Standard strike plate; ASA strike plate; strike box
Backset:	2¾" (70 mm)
Key override:	Compatible with major manufacturers of removable cores: ASSA, Best and Compatibles (6 or 7-pin length), Corbin / Russwin, Medeco / Yale (6-pin length), Sargent, Schlage
Door thickness:	1⅜" (35 mm) to 2¼" (57 mm)
Finishes:	Bright Brass 03 (605); Antique Brass 05 (609); Satin Chrome 26D (626); Bright Chrome 026 (625) models 101 and 102 only
Control:	DF59 keys for combination change; DF5 keys for passage feature
Minimum stile requirement:	5" (127 mm)

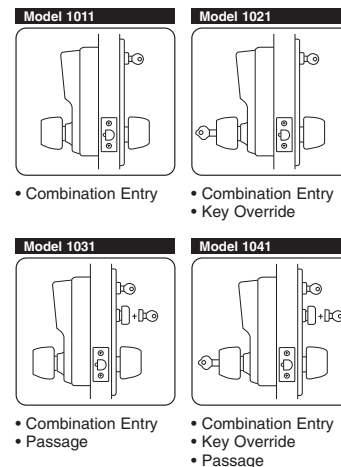
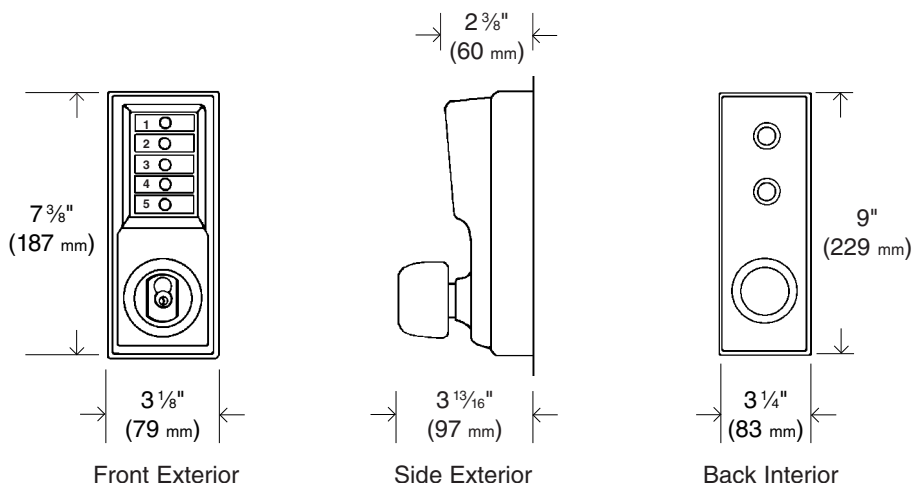
Lock Operation

Combination code:	One code per lock made of any combination of one to five numbers (pressed individually or simultaneously)
Code:	Thousands of possible combinations
Emergency access:	Optional mechanical key override

Certification and Testing

Fire rating:	Three-hour UL/ULC Fire rating for "A" label doors
Environmental operating conditions:	Highly weather resistant
Durability:	Conforms to ANSI 156.2, Grade 1
Warranty:	1 year
Accessories for 1000 Series locksets:	See page 49

Simplex® 1000 Series Heavy-Duty Lock



Example

1 0 2 1 B - 2 6 D - 4 1

1 0
Model

Locking Device

Key Override

Finish

Packaging

Build the model number with the desired options

Model	Locking Device	Key Override	Finishes	Packaging
101 Combination entry	1 1/2" (13 mm) throw latch floating face plate	Compatible with removable core cylinders (not supplied).	03 Bright Brass (605)	41 1 per box
102 Combination entry Key override	5 3/4" (19 mm) throw latch beveled face plate	A ASSA	05 Antique Brass (609)	Locks shipped 5 per case
103 Combination entry Passage mode		B Best & Compatibles (6 or 7-pin length)	026 Bright Chrome (625) Available for models 101 and 102 only.	
104 Combination entry Passage mode Key override		C Corbin/Ruswin	26D Satin Chrome (626)	
		M Medeco* /Yale (6-pin length) *5-pin Medeco cylinder requires a special knob spacer. Request spacer when ordering, part number 201569 (supplied free of charge)		
		R Sargent		
		S Schlage		

Items supplied with the lock:

- Standard & ASA strikes
- Full-scale template
- All hardware required for a complete installation
- Installation instructions
- Combination change access key

Simplex® L1000 Series Heavy-Duty Lock

Mechanical Features

Construction:	Heavy-duty cylindrical lock housing with cast front housing; brass unified trim plate; fixed cast ADA-compliant levers
Installation:	ASA 161 door preparation with additional through bore holes required: (1) 1" (25mm) diameter for combination change, (2) ¼" (6mm) for mounting lock, and (1) 1" (25mm) diameter for optional passage feature; (1) 1" (25 mm) diameter cross bore for latch.
Door handing:	Factory-handed; not field reversible
Numeric pushbuttons:	Vandal resistant, 5 button, anodized aluminum, mechanical
Weight:	8.25 lbs. (3.7 kg)
Strike:	Standard strike plate; ASA strike plate; strike box
Backset:	2¾" (70 mm)
Key override:	Compatible with major manufacturers of removable cores: ASSA, Best and Compatibles (6 or 7-pin length), Corbin / Russwin, Medeco / Yale 6-pin length, Sargent, Schlage
Minimum stile requirement:	5" (127 mm)
Door thickness:	1 ¾" (35 mm) to 2 ¼" (57 mm)
Finishes:	Bright Brass 03 (605); Antique Brass 05 (609); Satin Chrome 26D (626); Bright Chrome 026 (625) - Models 101 & 102 only
Control:	DF59 keys for combination change; DF5 keys for passage feature

Lock Operation

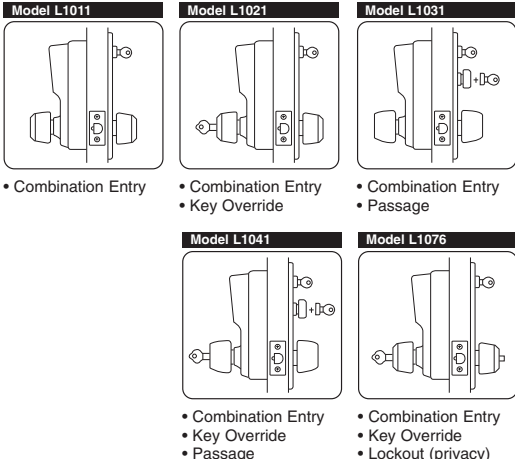
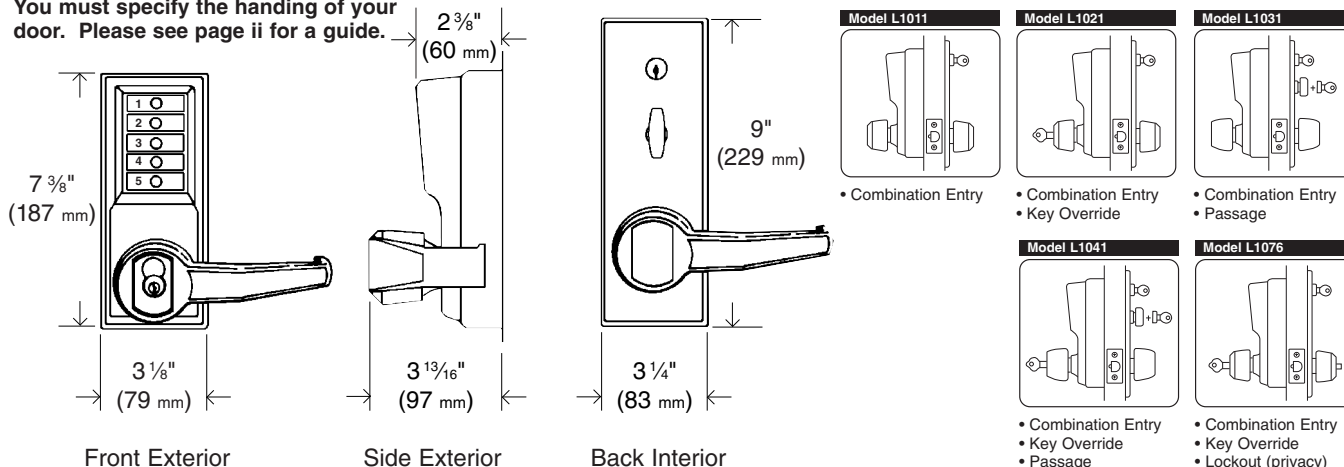
Combination code:	One code per lock made of any combination of one to five numbers (pressed individually or simultaneously)
Code:	Thousands of possible combinations
Emergency access:	Optional mechanical key override

Certification and Testing

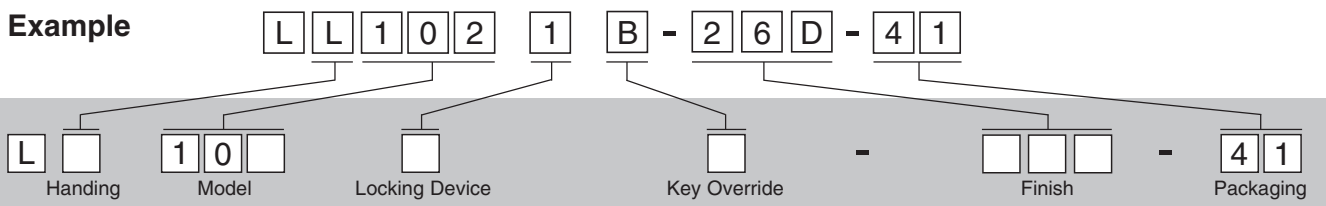
Accessibility standard:	Americans with Disabilities Act (ADA)
Fire rating:	Three-hour UL/ULC Fire rating for "A" label doors
Environmental operating conditions:	Highly weather resistant
Durability:	Conforms to ANSI 156.2, Grade 1; Compliance with D.O.D. 5220.22M
Warranty:	1 year

Simplex® L1000 Series Heavy-Duty Lock

You must specify the handing of your door. Please see page ii for a guide.



Example



Build the model number with the desired options

Handing	Model	Locking Device	Key Override	Finishes	Packaging
LL Left Hand or Left Hand Reverse	101 Combination entry	1 1/2" (13 mm) throw latch floating face plate	Compatible with removable core cylinders (not supplied). A ASSA	03 Bright Brass (605)	41 1 per box
	102 Combination entry Key override				
LR Right Hand or Right Hand Reverse	103 Combination entry Passage mode	5 3/4" (19 mm) throw latch beveled face plate	B Best & Compatibles (6 or 7-pin length) C Corbin/Russwin M Medeco* / Yale (6-pin length) *5-pin Medeco cylinder requires a special knob spacer. Request spacer when ordering, part number 201569 (supplied free of charge)	05 Antique Brass (609) 026 Bright Chrome (625) Available for models 101 and 102 only. 26D Satin Chrome (626)	Locks shipped 3 per case
	104 Combination entry Key override Passage mode				
	107 Combination entry Key override Lockout privacy				
		6 3/4" (19 mm) throw latch beveled face plate For Model 107 only.	R Sargent S Schlage		

Items supplied with the lock:

- Standard & ASA strikes
- Full-scale template
- Installation instructions
- Combination change access key
- All hardware required for a complete installation

Simplex® EE1000 Series Heavy-Duty Lock

Mechanical Features

Construction:	Heavy-duty cylindrical lock housing with cast front and back housing; wrought brass knobs
Installation:	ASA 161 door preparation with 4 additional through bore holes [(2) ½" (13 mm) and (2) ⅝" (8 mm) diameter] required for mounting lock.
Door handing:	Field reversible
Numeric pushbuttons:	Vandal resistant, 5 button, anodized aluminum, mechanical
Weight:	10.25 lbs. (4.6 kg)
Strike:	Standard strike plate; ASA strike plate; strike box
Latch:	½" (13 mm) throw latch
Backset:	2¾" (70 mm)
Key override:	Compatible with major manufacturers of removable cores: ASSA, Best and Compatibles (6 or 7-pin length), Corbin/Russwin, Medeco/Yale (6-pin length), Sargent, Schlage
Minimum stile requirement:	5" (127 mm)
Door thickness:	1¾" (44 mm) to 2¼" (57 mm); Modified lock for more than 2" (51 mm) thick door available (specify when ordering).
Finishes:	Bright Brass 03 (605); Antique Brass 05 (609); Satin Chrome 26D (626)
Control:	Anti-Tamper Torx Tool Bit for gaining access to combination change.

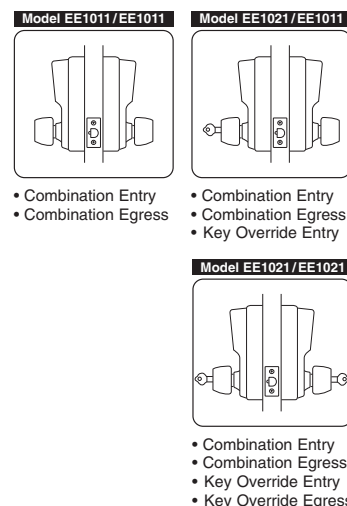
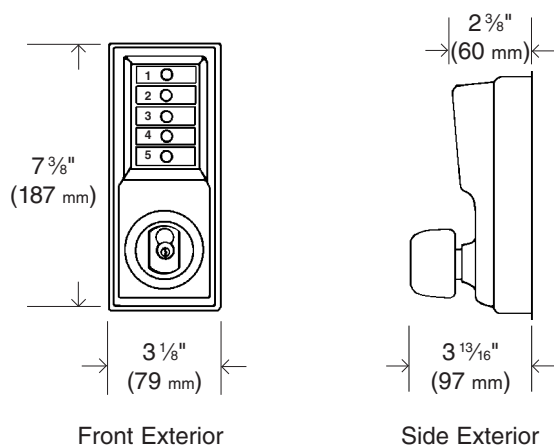
Lock Operation

Combination code:	One code per lock made of any combination of one to five numbers (pressed individually or simultaneously)
Code:	Thousands of possible combinations
Emergency access:	Optional mechanical key override

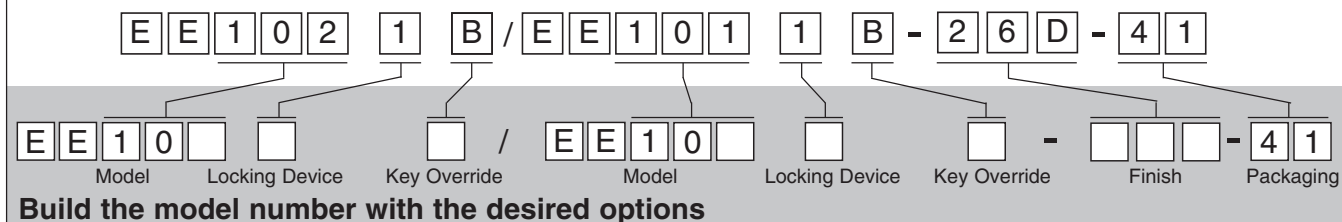
Certification and Testing

Fire rating:	Three-hour UL/ULC Fire rating for "A" label doors
Environmental operating conditions:	Highly weather resistant
Durability:	Conforms to ANSI 156.2, Grade 1
Warranty:	1 year

Simplex® EE1000 Series Heavy-Duty Lock



Example



Model Access	Locking Device	Key Override	Model Egress	Locking Device	Key Override	Finishes	Packaging
101 Combination entry	1 1/2" (13 mm) throw latch floating face plate	Compatible with removable core cylinders (not supplied). A ASSA B Best & Compatibles (6 or 7-pin length) C Corbin/Russwin M Medeco*/Yale (6-pin length) *5-pin Medeco cylinder requires a special knob spacer. Request spacer when ordering, part number 201569 (supplied free of charge) R Sargent S Schlage	101 Combination Egress	1 1/2" (13 mm) throw latch floating face plate	Compatible with removable core cylinders (not supplied). A ASSA B Best & Compatibles (6 or 7-pin length) C Corbin/Russwin M Medeco*/Yale (6-pin length) R Sargent S Schlage	03 Bright Brass (605) 05 Antique Brass (609) 26D Satin Chrome (626)	41 1 per box
102 Combination entry Key override	5 3/4" (19 mm) throw latch floating face plate		102 Combination Egress Key override	5 3/4" (19 mm) throw latch floating face plate			

Items supplied with the lock:

- Standard & ASA strikes
- Full-scale template
- Installation instructions
- Combination change access torx wrench
- All hardware required for a complete installation

Simplex® 8100 Series Heavy-Duty Lock

Mechanical Features

Construction:	Cast front housing; brass unified trim plate; fixed cast ADA - compliant levers
Installation:	Standard (86) mortise preparation.
Door handing:	Factory-handed; not field reversible
Numeric pushbuttons:	Vandal resistant, 5 button, anodized aluminum, mechanical
Minimum stile requirement:	5" (127 mm)
Weight:	9.8 lbs. (3.7 kg)
Strike:	4 ⁷ / ₈ " (124 mm) L x 1 ¹ / ₄ " (32 mm) W x 1/4" (6 mm) Deadbolt/Latch mortise strike plate
Latch:	1" (25 mm) optional deadbolt; 3/4" (19 mm) two-piece anti-friction latch; accommodates 1/2" (13 mm) throw
Backset:	2 ³ / ₄ " (70 mm)
Key override:	Compatible with major manufacturers of removable cores: ASSA, Best and Compatibles (6 or 7-pin length), Corbin/Ruswin, Medeco/Yale (6-pin length), Sargent, Schlage
Door thickness:	1 ³ / ₄ " (44 mm) to 2 ¹ / ₄ " (57 mm)
Finishes:	Bright Brass 03 (605); Antique Brass 05 (609); Satin Chrome 26D (626)
Control:	DF5 keys or thumbturn for passage and lockout

Lock Operation

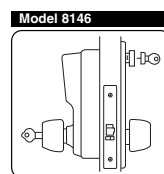
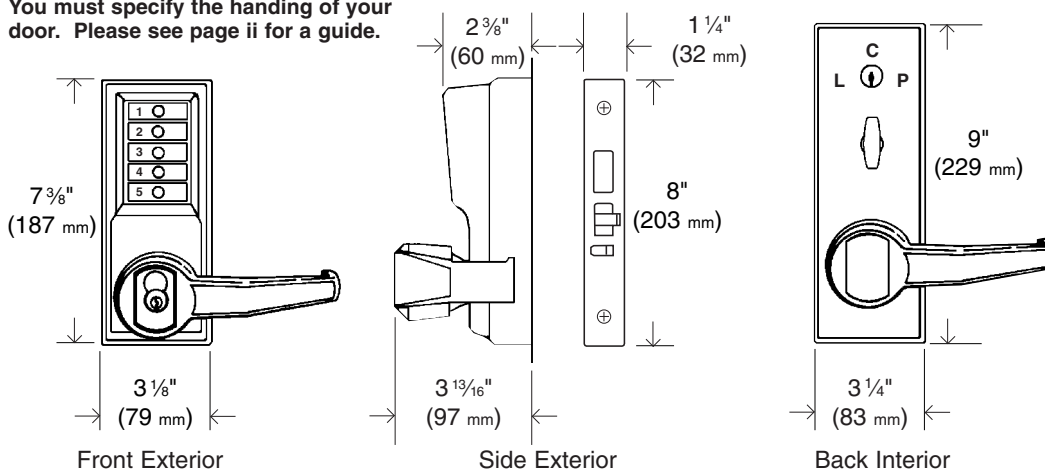
Combination code:	One code per lock made of any combination of one to five numbers (pressed individually or simultaneously)
Code:	Thousands of possible combinations
Emergency access:	Optional mechanical key override

Certification and Testing

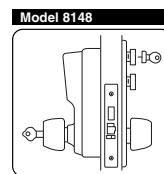
Accessibility standard:	Americans with Disabilities Act (ADA) for lever equipped lock
Fire rating:	Three-hour UL/ULC Fire rating for "A" label doors
Environmental operating conditions:	Highly weather resistant
Durability:	Conforms to ANSI 156.13
Warranty:	1 year

Simplex® 8100 Series Heavy-Duty Lock

You must specify the handing of your door. Please see page ii for a guide.



- Combination Entry
- Key Override
- Passage
- Lockout



- Combination Entry
- Key Override
- Passage
- Lockout
- Deadbolt

Example

L R **8 1 4 8** **B** - **2 6 D** - **4 1**

Handing Model Key Override Finish Packaging

Build the model number with the desired options

Handing	Model	Key Override	Finishes	Packaging
L Left Hand	8146 Combination entry Key override	Compatible with removable core cylinders (not supplied).	03 Bright Brass (605)	41 1 per box
LR Left Hand Reverse Bevel	Key override Passage Lockout 3/4" (19 mm) two-piece latch no deadbolt	A ASSA	05 Antique Brass (609)	Locks shipped 3 per case
R Right Hand	8148 Combination entry Key override	B Best & Compatibles (6 or 7-pin length)	26D Satin Chrome (626)	
RR Right Hand Reverse Bevel	Passage Lockout 3/4" (19 mm) two-piece latch with 1" (25 mm) deadbolt	C Corbin/Russwin		
		M Medeco*/Yale (6-pin length) *5-pin Medeco cylinder requires a special knob spacer. Request spacer when ordering, part number 201569 (supplied free of charge)		
		R Sargent		
		S Schlage		

Items supplied with the lock:

- Standard & ASA strikes
- Full-scale template
- All hardware required for a complete installation
- Installation instructions
- Combination change wrench

Simplex® 3000/3100 Series Narrow Stile Locks



Simplex® 3000 Series



Simplex® 3100 Series

Application

3000 and 3100 Series locks provide fully mechanical pushbutton access control for narrow stile aluminum glass doors. It provides exterior access by combination or key override, while allowing free egress at all times.

3000 and 3100 Series locks are ideal for limiting access to high traffic, security sensitive areas in commercial, institutional, government (3000) and industrial buildings. These locks are perfect for locations with frequent personnel turnover, such as data processing centers, employee entrances, fast food chains, motels, dormitories, volunteer fire departments, and in hospitals and airports.

3000 Series is designed for use with Adams Rite 4510/4710 latch mechanisms and most Adams Rite egress hardware (not supplied). Any standard MS mortise cylinder that operates the Adams Rite latch will function with a 3000 Series lock. Key cylinders, cylinder trim rings, mortise latches, and egress hardware are not provided. Suitable for inswing & outswing doors.

3100 Series locks, with the added security of a mortise latch mechanism, provide fully mechanical pushbutton access control for narrow stile aluminum glass doors. The 3100 Series is suitable for outward-opening doors only. Egress is by interior push paddle, and no additional panic device hardware is required. Through-bolted installation discourages forcible removal of the front housing. The lock is ADA (Americans with Disabilities Act) compliant.

Features

- **Slim-line visual shield:** Restricts observation of user codes while remaining attractive on narrow-stile doors.
- **Key override:** Can be used to override the lock combination and gain access using a key. This feature allows facilities to initiate or maintain a master-keyed security system (keyed alike or keyed differently). The lock accepts MS (Maximum Security) mortise cylinders. Supplied with the 3100 only.
- **Passage (latch holdback):** Allows access without using the lock entry code, keeping the door unlocked. This feature is activated from the outside with a key on the 3000 and from the inside on the 3100.
- **Lockout:** Disables the lock so that entry codes cannot be used to gain access. Access is permitted using the key override only. This feature is activated from the outside using the override key.

Optional Features

- **Cylinder guard (3000 series):** Prevents wrenching of cylinder from housing.
- **Electric release (3100 series):** Hard-wired remote release grants access from a remote location - perfect for reception areas, banks, retail stores, showrooms, insurance offices, doctors', and dental offices. Eliminates the need for a magnetic lock or electric strike. Requires a low voltage power source providing 12 VDC, 4A, momentary power with time out for 1 second maximum each activation. A contact button and appropriate wiring to the door are also required.

Simplex® 3000 Series

Narrow Stile Lock

Mechanical Features

Construction:	All metal; cast front housing; force-proof clutch-protected fixed thumbturn
Door handing:	Factory-handed (drive assembly); not field reversible
Numeric pushbuttons:	Vandal resistant, 5 button, anodized aluminum, mechanical
Weight:	4 lbs. (1.8 kg)
Stile width:	1 7/8" (48 mm) minimum, required for mounting
Door thickness:	1 3/4" (44 mm) maximum
Strike:	Provided by Adams Rite
Latch:	Provided by Adams Rite
Backset:	3 1/32" (25 mm) or 1 1/8" (29 mm)
Finishes:	Satin Chrome 26D (626); 55 (695) Duranodic
Control:	Includes DF59 key and screwdriver for combination change

Lock Operation

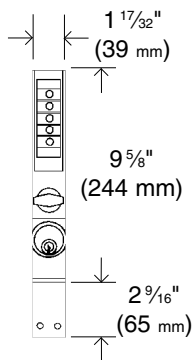
Combination code:	One code per lock made of any combination of one to five numbers (pressed individually or simultaneously)
Code:	Thousands of possible combinations
Emergency access:	Mechanical Key override

Certification and Testing

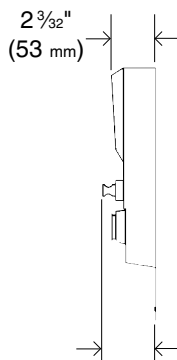
Environmental operating conditions:	Highly weather resistant
Warranty:	1 year

Simplex® 3000 Series Narrow Stile Lock

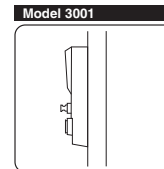
You must specify the handing of your door. Please see page ii for a guide.



Front Exterior



Side Exterior



- Combination entry
- Key override
- Passage
- Lockout
- Please Note: Model 3002 adds a cylinder guard

A complete installation requires both a housing and a drive assembly

Housing Example

3 0 0 2 - 2 6 D - 4 1

3 0 0
Model

Finish

4 1
Packaging

Build the model number with the desired options

Models	Finish	Packaging
3001 Key override; Passage; Lockout	26D Satin Chrome (626)	41 1 per box
3002 Key override; Passage; Lockout; Cylinder guard	55 Duranodic (695)	

Drive Assembly Example

3 0 4 0 - 1 9 - 4 1

3 0 0 - 1 9
Model

4 1
Packaging

Build the model number with the desired options

Model	Packaging
3010-19 Right Hand; Right Hand Reverse 3/32" (25 mm) backset	41 1 per box Items supplied with the lock: - Installation instructions - Full-scale template - Combination change key and screwdriver
3020-19 Left Hand; Left Hand Reverse 3/32" (25 mm) backset	
3030-19 Right Hand; Right Hand Reverse 1 1/8" (29 mm) or 1 1/2" (38 mm) backset	
3040-19 Left Hand; Left Hand Reverse 1 1/8" (29 mm) or 1 1/2" (38 mm) backset	

Simplex® 3100 Series

Narrow Stile Lock

Mechanical Features

Construction:	Heavy-duty American zinc-case mortise; all metal; cast front housing
Installation:	Retrofits Adams Rite 4510/4710 mortise latch preparations. Through bolt installation restricts forcible removal of the front housing.
Door handing:	Factory-handed; not field reversible
Numeric pushbuttons:	Vandal resistant, 5 button, plus Enter button, anodized aluminum, mechanical
Weight:	8 lbs. (3.6 kg)
Stile width:	1 7/8" (48 mm) minimum, 2" (51 mm) maximum required for mounting
Stile thickness:	1 3/4" (44 mm) maximum
Strike:	Compatible to Adams Rite
Latch:	Mortise latch, heavy-duty 5/8" (19 mm) thick bolt with dead latch
Backset:	3 1/32" (25 mm) or 1 1/8" (29 mm)
Finishes:	Satin Chrome 26D (626); 55 (695) Duranodic
Control:	Combination change tool and wrench

Lock Operation

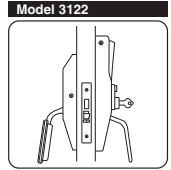
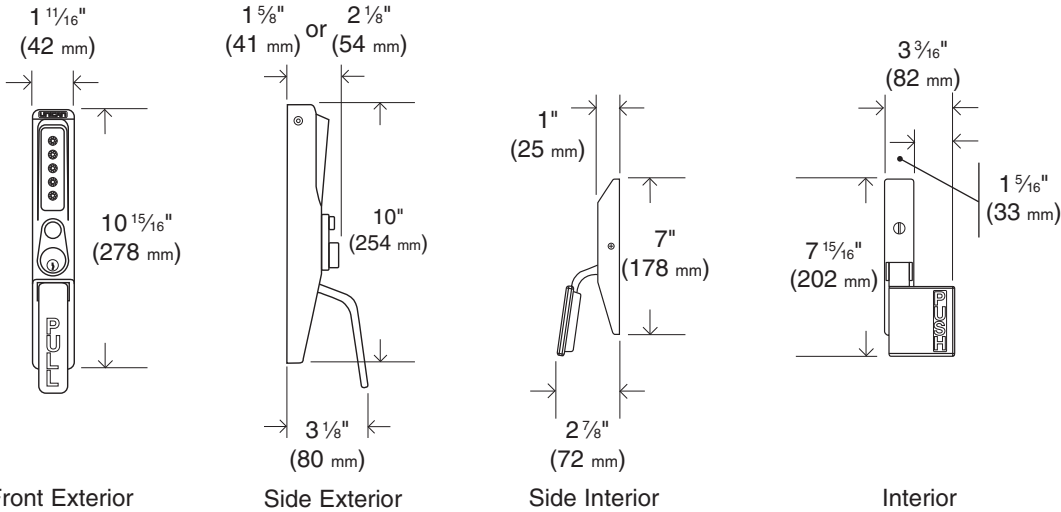
Combination code:	One code per lock made of any combination of one to five numbers (pressed individually or simultaneously)
Code:	Thousands of possible combinations
Emergency access:	Mechanical Key override

Certification and Testing

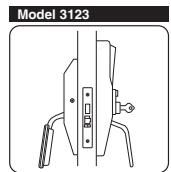
Accessibility standard:	Americans with Disabilities Act (ADA) compliant push/pull paddles
Environmental operating conditions:	Highly weather resistant
Durability:	Conforms to ANSI 156.5
Warranty:	1 year

Simplex® 3100 Series Narrow Stile Lock

You must specify the handing of your door. Please see page ii for a guide.

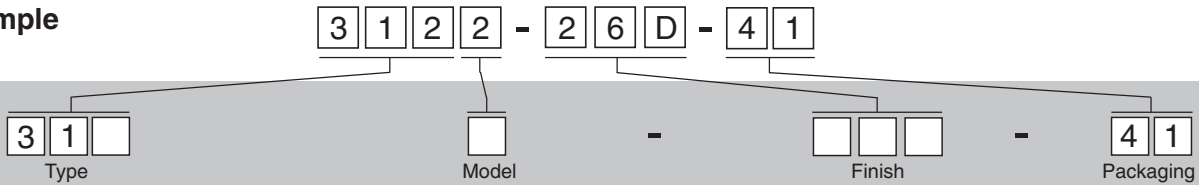


- Combination entry
- Key override
- Combination change from exterior



- Combination entry
- Key override
- Combination change from interior

Example



Build the model number with the desired options

Type	Model	Finish	Packaging
311 Right Hand Reverse (RR) Backset 3 1/32" Outswinging double access door types	2 Latch holdback Key override and lockout	26D Satin Chrome (626)	41 1 per box
312 Left Hand Reverse (LR) Backset 3 1/32" Outswinging double access door types	3 Latch holdback Key override and lockout Electric release	55 Duranodic (695)	
313 Right Hand Reverse (RR) Backset 1 1/8" Outswinging single and double access door types			
314 Left Hand Reverse (LR) Backset 1 1/8" Outswinging single and double access door types			

Items supplied with the lock:

- Complete lock with mortise latch mechanism
- Compatible with Adams Rite strike
- Mortise cylinder (installed)
- Full-scale template
- Combination change wrench and tool
- 2 nickel plated brass keys
- Finger guard
- Installation instructions
- Strike plate and mounting adapter

Simplex® LP1000/2015 Series Exit Device Operator



LP1000 Series



2015 Series

Application

Model LP1000 and 2015 **Exit Device Controls** are designed to operate surface mounted (rim-mounted) exit devices (not supplied) from the outside using a tailpiece, which replaces the key cylinder on new or existing devices. Any standard pull can be mounted with Model 2015. They provide exterior access by combination, while allowing free egress at all times by interior exit device. The locks can be used with many leading brands of surface-mounted (rim-mounted) exit devices.

- LP1000 cannot be used with mortise design and most vertical rod exit devices.
- 2015 cannot be used with surface mounted exit devices with counterclockwise rotating hubs, or with thumb-operated, mortise design, or most vertical rod exit devices.

Optional Features

Model LP1000 offers an optional Key override feature. An authorized user can override the lock combination and gain access using a key. This feature allows emergency access to facilities, and it allows them to initiate or maintain a master-keyed security system (keyed alike or keyed differently). The lock accepts removable core cylinders (not supplied).

Simplex® LP1000 Series

Exit Device Operator

Mechanical Features

Construction:	Heavy-duty cylindrical lock housing; all metal; cast front housing; brass mounting plate; fixed cast ADA-compliant lever
Installation:	Recessed through bolts may be required. Exit Device preparation.
Door handing:	Factory-handed; not field reversible
Numeric pushbuttons:	Vandal resistant, 5 button, anodized aluminum, mechanical
Weight:	8 lbs. (3.6 kg)
Strike:	Not supplied. (Comes with Exit Device)
Latch & Exit Device:	Not supplied
Key override:	Compatible with major manufacturers of removable cores: ASSA, Best and Compatible (6 or 7-pin length), Corbin/Russwin, Medeco/Yale (6-pin length), Sargent, and Schlage
Exit Device compatibility:	<ul style="list-style-type: none"> • Von Duprin Exit Only (EO) or Exit Only Fire (EOF) 22, 88 NL, 98, 99, 9857, 9957 • Dorma 9100, 9300, 9400 • Detex Advantex Series 10, 20, 21, 40, 50, 51 • Monarch XX-R*, FXX-R, 18-R*, F-18-R*, XX-V*, F-XX-V*, 18-V*, F-18-V* (*Requires special k-hub adapter) • Cannot be used with mortise design or most vertical rod Exit Devices
Tailpiece:	2¾" (70 mm) tailpiece for Exit Device operation from outside
Exit Device hub rotation:	Up to 60°, counterclockwise for left hand & clockwise for right hand
Door thickness:	1⅜" (35 mm) to 2¼" (57 mm); optional 4" (102 mm)
Finishes:	Satin Chrome 26D (626), Bright Chrome 026 (625)
Control:	Combination change tool
Minimum stile requirement:	5" (127 mm)

Lock Operation

Combination code:	One code per lock made of any combination of one to five numbers (pressed individually or simultaneously)
Code:	Thousands of possible combinations
Emergency access:	Mechanical Key override

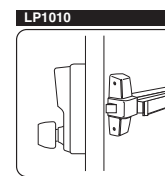
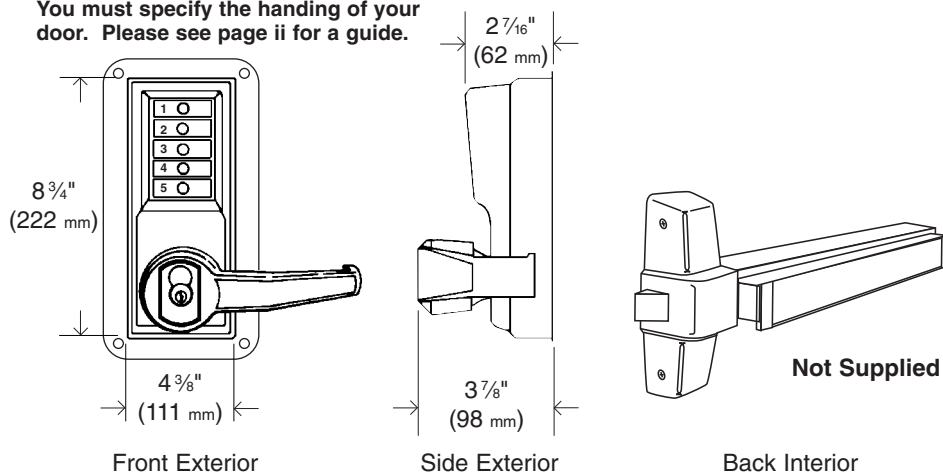
Certification and Testing

Accessibility standard:	Americans with Disabilities Act (ADA) for lever equipped lock
Fire rating:	Three-hour UL/ULC rating for "A" label doors
Environmental operating conditions:	Highly weather resistant
Durability:	Conforms to ANSI 156.2, Grade 1
Warranty:	1 year

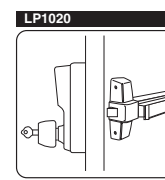
NOTE: Exit Device may be "Dogged" without affecting the LP1000.

Simplex® LP1000 Series Exit Device Operator

You must specify the handing of your door. Please see page ii for a guide.



- Combination entry
- Egress with Exit Device (Not supplied)



- Combination entry
- Egress with Exit Device (Not supplied)
- Key override (Not supplied)

Example

L
L
P
1
0
2
0
B
-
2
6
D
-
4
1

L L P 1 0 2 0 - - 4 1

Handing Model Key Override Finish Packaging

Build the model number with the desired options

Handing	Model	Key override	Finishes	Packaging
L Left hand Reverse bevel	LP1010 Combination entry	Compatible with removable core cylinders (not supplied).	026 Bright Chrome (625) 26D Satin Chrome (626)	41 1 per box
	LP1020 Combination entry Key override	A ASSA B Best & Compatibles (6 or 7-pin length) C Corbin/Ruswin M Medeco*/Yale (6-pin length) *5-pin Medeco cylinder requires a special knob spacer. Request spacer when ordering, part number 201569 (supplied free of charge) R Sargent S Schlage		

Items supplied with the lock:

- Installation instructions
- Full-scale template
- Combination change tool
- All hardware required for a complete installation on the access side of the door

Simplex® 2015 Series

Exit Device Operator

Mechanical Features

Construction:	All metal; cast front housing
Installation:	Based on center line of mating Exit Device hub
Door handing:	For non-handed or clockwise-rotating (adjustable up to 90°) Exit Device hubs only
Numeric pushbuttons:	Vandal resistant, 5 button, anodized aluminum, mechanical
Weight:	3.5 lbs. (1.6 kg)
Strike:	Not supplied. (Comes with Exit Device)
Latch & Exit Device:	Not supplied
Exit Device compatibility:	<ul style="list-style-type: none"> American Device 6300 Series, 6303 Series Corbin 21, 22, 25, 26NT, 27K, 29, 29-1/4, 29M2, 29-1/2M2, 29NTM2, 29D20, LA29, 39, 39EL, 39LLD, 390, LA39 Detex Advantex Series 10, 20, 21, 40, 50, 51 Magno Krom LHR only: 500-4, 550-4, 650-4, 1500-4, 1550-4, 1650-4; RHR only: 600-3 Monarch 18RBA, 18RP, 18VP, F18RBA, F18RP, F18VP, FXXRBA, FXXRP, FXXVP, XXRBA, XXRP, XXVP Precision Hardware FL-D103; RHRB only 810-H; RH or LH: 103, R103, D203, H-203, 1103, D1203, H1203 Russwin 365, 3651/4, LT365, 370, 372, LA372, 375, LT375, 377, 382, 384, 385, 388, 572, 572EL, 572ELD, U572, LA572 Sargent 2813, 2804, 6804, 12-6804, 9804RHRB, 12-9804LHRB, 9898E, 9898K Von Duprin 22 Rim, 22 Rim-F, 88 Rim, 88 Rim-F, 98 Rim, 98 Rim-F, 99 Rim, 99 Rim-F; 2227, 2227-F, 9827, 9827-F, 9847, 9847-F, 9927-F, 9947-F; Yale 1500 Series, 7000 Series Cannot be used with surface-mounted Exit Devices with counterclockwise rotating hubs, with thumb-operated mortise design Exit Devices, or most vertical rod Exit Devices
Tailpiece:	2 3/4" (70 mm) adjustable tailpiece for Exit Device operation from outside; optional 5" (127 mm) tailpiece
Exit Device hub rotation:	Adjustable up to 90° clockwise for right hand (adjustable cam)
Door thickness:	1 3/8" (35 mm) to 2 1/2" (64 mm); optional 4" (102 mm)
Finishes:	Satin Chrome 26D (626)
Control:	6-pin tumbler cylinder keys for combination change access; keyed differently; optional keyed alike or master keyed
Minimum stile requirement:	3" (76 mm)

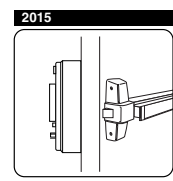
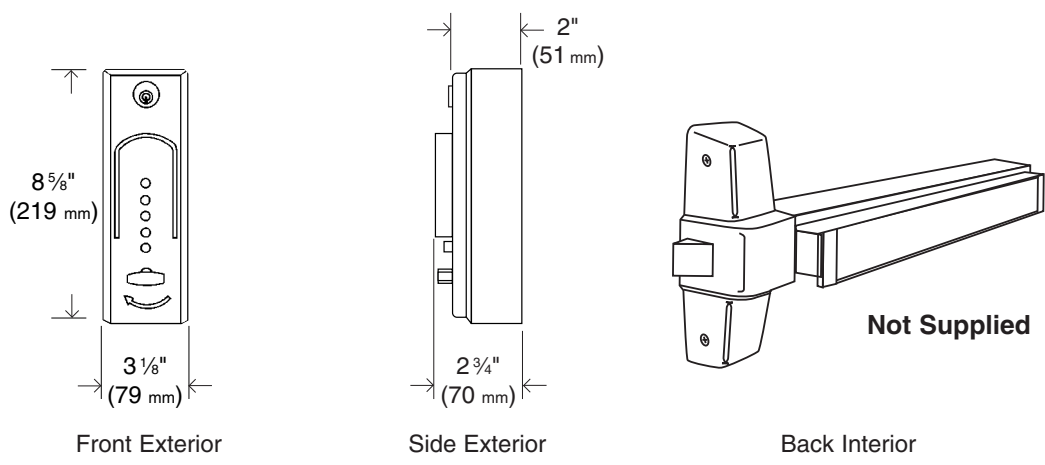
Lock Operation

Combination code:	One code per lock made of any combination of one to five numbers (pressed individually or simultaneously)
Code:	Thousands of possible combinations

Certification and Testing

Environmental operating conditions:	Highly weather resistant
Warranty:	1 year

Simplex® 2015 Series Exit Device Operator



- 2015
- Combination entry
- Egress with Exit Device (Not supplied)
- Compatible with major rim mounted Exit Devices

Example

2 0 1 5 - 2 6 D - 4 1

2 0 1 5 - 2 6 D - 4 1

2 0 1 5 - 2 6 D - 4 1

2 0 1 5 Model 2 6 D Finish 4 1 Packaging

Build the model number with the desired options

Model	Finishes	Packaging
2015 Combination entry Ball bearing clutch knob	26D Satin Chrome (626)	41 1 per box

Items supplied with the lock:

- Installation instructions
- Full-scale template
- Combination change keys
- All hardware required for a complete installation on the access side of the door

Simplex® 2000/2400/2500 Series Switch Control



2000 Series



2400 Series



2500 Series

Application

Model 2000, 2400 and 2500 Series switch controls provide fully mechanical pushbutton access control for electrically operated equipment. After entering the correct combination, the thumbturn may be activated once before returning to locked mode. Depending on the model, the thumbturn may open or close a momentary or maintained switch, or trip a timed switch that remains energized for an adjustable length of time. Designed for surface mounting on a wall or in a wall, any distance from the device being controlled.

Model 2000, 2400 and 2500 Series switch controls are ideal for limiting access to elevators, parking garages, gates, magnetic locks, and electric strike doors such as apartment building entrances, alarm systems or any other security sensitive electrical equipment that incorporates a latching relay (Models 2000-3, 2410, 2420, 2510, 2520), or does not incorporate a latching relay (Models 2000-1, 2430, 2440, 2450, 2530, 2540) in a commercial, industrial, or residential setting.

The switch controls are perfect for locations with regular personnel turnover such as data processing centers, employee entrances, service elevators, R&D labs, and restricted areas in hospitals, offices, hotels and airports. Can be used as a convenient and secure reset switch on equipment such as escalators, elevators, and machinery for use after an emergency shutdown.

Model 2500 is especially suited as a remote alarm station, with two LEDs to indicate whether the system is armed or disarmed.

Features

- **Ease of installation:** Model 2000: Simple surface mounting on wall and only two wires to connect. Models 2400/2500: Simple in-wall mounting.
- **Mechanical control of electrical switch:** The lock does not draw current.
- **Versatile:** Compatible with existing wiring systems; operates all makes and voltages of electric releases. Can be wired for fail-safe or fail-secure.
- **Extra weather protection:** Highly weather resistant. The 2400 Model has a stainless steel front plate with a closed cell neoprene weather gasket.
- **Key locked cover (model 2000):** Allows convenient combination changes by authorized personnel only. Conceals all mounting hardware to discourage tampering.

Optional Features

- **Visual shield (Model 2400/2500):** Restricts observation of user codes.
- **LED indicators (Model 2500):** Red and green lights indicate the status of alarms or other equipment; resistors supplied for wiring to 6 or 12V systems.

Simplex® 2000 Series Switch Control

Mechanical Features

Construction:	All metal; cast front housing
Installation:	Surface wall mounted (2000-1) any distance from equipment controlled
Minimum stile requirement:	3 1/8" (79 mm) space required for mounting
Numeric pushbuttons:	Vandal resistant, 5 button, anodized aluminum, mechanical
Weight:	4 lbs. (1.8 kg)
Finish:	Satin Chrome 26D (626)
Control:	Includes DF59 keys for combination change
Timer:	Maintains a closed circuit from 2-60 seconds, variable with an adjustment screw (Model 2000-1 only). Variable time delay: For electric strikes and equipment that needs to remain energized for a set interval. Allows the user to reach the door from the switch control, which can be placed at any convenient location. The pneumatic timer draws no current and is unaffected by changes in voltage.

Electrical

Rating:	UL-rated switch; 10.5 Amps at 125-250 VAC; 10.5 Amps at 28 VDC
Contact options:	Momentary contact switch: For operating equipment with built-in timers or latching relays such as garage door openers, gates and elevators. For electro-magnetic lock and electric strike installation, control must be positioned so that thumbturn can be rotated and held while door is opened.

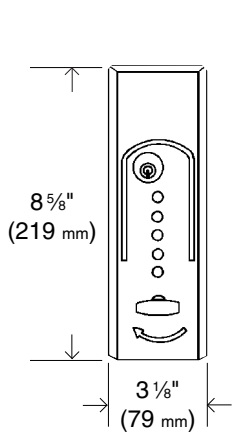
Lock Operation

Combination code:	One code per lock made of any combination of one to five numbers (pressed individually or simultaneously)
Code:	Thousands of possible combinations

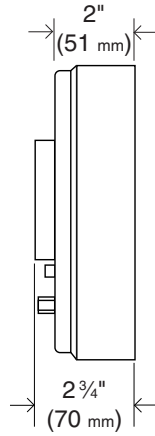
Certification and Testing

Environmental operating conditions:	Time delay models operate from +15°F to 120°F (-9°C to 49°C).
Electrical:	UL-rated switch (momentary)
Warranty:	1 year

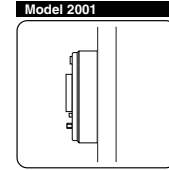
Simplex® 2000 Series Switch Control



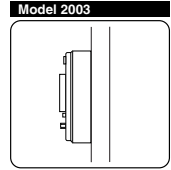
Front Exterior



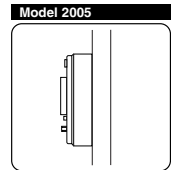
Side Exterior



- Combination actuation
- Variable time delay 2 to 60 seconds



- Combination actuation
- Momentary contact (Normally open)



- Combination actuation
- Momentary contact (Normally closed)

Example

2 0 0 1 - 2 6 D - 4 1

2 0 0

Model

2 6 D

Finish

4 1

Packaging

Build the model number with the desired options

Model	Finishes	Packaging
2001 Variable time delay (Energized for 2 to 60 sec.) Ball bearing clutch knob	26D Satin Chrome (626)	41 1 per box
2003 Momentary contact switch (Normally open) Ball bearing clutch knob		
2005 Momentary contact switch (Normally closed) Ball bearing clutch knob		

Items supplied with the lock:

- Installation instructions

- Full-scale template

- Combination change access key

Simplex® 2400/2500 Series Switch Control

Mechanical Features

Construction:	All metal; front escutcheon and stainless steel face plates; heavy-duty back cover to prevent short-circuiting attack
Installation:	Recess or electrical box mounted any distance from equipment controlled. <ul style="list-style-type: none">• 3 gang mounting: Fits any standard electrical box, or front plate mounts directly to the wall. Suggested opening 2 1/4" (54 mm) wide X 5 1/8" (130 mm) high X 2" (51 mm) deep. Plate dimensions 4 1/2" (114 mm) wide X 6 3/8" (162 mm) high.• Narrow stile mounting: Fits narrow outlet box #2550, or front plate mounts directly to a wall or doorframe. Suggested opening 1 1/8" (29 mm) wide X 6 1/8" high (156 mm) X 2" (51 mm) deep. Plate dimensions 1 3/4" (44 mm) wide X 8 1/8" (206 mm) high.• Thru-bolt mounting: Model 2450 can be bolted through any wall from 3" to 11" thick. The front plate covers the edges of the opening. The mounting hardware is accessible only from the inside wall surface. Suggested opening 1 1/4" (32mm) wide X 6 9/16" tall (167mm) X 3" (76mm) deep. Two rugged draw bolts are provided for wall thickness from 3" to 11" (76 mm to 279 mm). Plate dimensions 3 1/4" (83 mm) wide X 9 5/8" (244 mm) high or 1 3/4" (44 mm) wide X 8 1/8" (206 mm) high. Two front plates are provided to cover broken edges in cinder block and concrete walls, or to cover a smaller area for drywall and other materials that can be cut more neatly.
Stile width:	3 1/8" (79 mm) minimum stile or space required for mounting narrow plate models
Numeric pushbuttons:	Vandal resistant, 5 button, anodized aluminum, mechanical
Weight:	3 lbs. (1.4 kg)
Finish:	Satin Chrome 26D (626)
Control:	Allen wrench for Model 2450
Timer:	Maintains a closed circuit from 2-60 seconds, variable with an adjustment screw

Simplex® 2400/2500 Series

Switch Control

Electrical

Rating:	Momentary and maintained contact models: 28VDC, 2A inductive, 6A resistive (5 A at 125VAC / 60Hz); Model 2450 (timed contact): UL rated 10.5 A at 125-250 VAC; 10.5 A at 28VDC
Tamper switch: (2500 Series)	SPDT 0.25A resistive, 0.10 A inductive at 30 VDC, can be wired as normally open or normally closed (2500 Series only).
LED indicator: (2500 Series)	One green and one red, 35mA max (standby operation), 3V max, 105mW max power dissipation (2500 Series only)
Under plate: (2500 Series)	Tamper switch and LEDs are pre-wired on a metal under-plate that mounts directly to the wall or outlet box and is completely protected by the stainless steel front plate.
Contact options:	<p>Momentary contact switch: For operating equipment with built-in timers or latching relays such as garage door openers, gates and elevators, and alarm systems. For electro-magnetic lock and electric strike installation, control must be positioned so that thumbturn can be rotated and held while door is opened.</p> <p>Variable time delay: For electric strikes and equipment that needs to remain energized for a set interval. Allows the user to reach the door from the switch control, which can be placed at any convenient location. The pneumatic timer draws no current and is unaffected by changes in voltage.</p> <p>Maintained contact switch: Permits the circuit to be switched from “locked on” to “locked off.” Applicable to alarm systems with no latching relay, or other circuits that must remain on or off.</p>

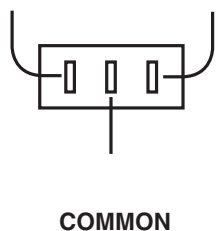
Lock Operation

Combination code:	One code per lock made of any combination of one to five numbers (pressed individually or simultaneously)
Code:	Thousands of possible combinations

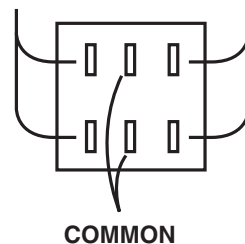
Certification and Testing

Environmental operating conditions:	Time delay models operate from +15°F to 120°F (-9°C to 49°C).
Electrical:	UL-rated switch (momentary and maintained)
Warranty:	1 year

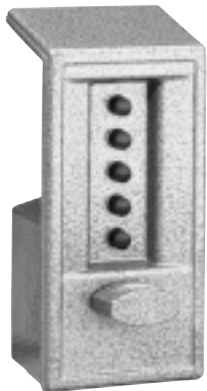
SPDT - Momentary contact
 NORMALLY CLOSED NORMALLY OPEN



DPDT - Maintained contact
 NORMALLY CLOSED NORMALLY OPEN



Simplex® 6200/7100 Series Light Commercial/Residential Locks



Simplex® 6200 Series



Simplex® 7100 Series

Application

The 6200 Series primary lock provides fully mechanical exterior access by combination, while allowing free egress at all times by interior knob. The lockset automatically relocks each time the door closes. These locks are ideal for front and rear doors, garages, garden cabanas, utility rooms, and workshops.

The 7100 Series lockset provides fully mechanical primary or auxiliary pushbutton access control by exterior combination, while allowing free egress at all times by interior thumbturn. Deadbolt models are manually relocking. Deadlocking latch models automatically relock each time the door closes. The streamlined housing with integrated pull makes the lock ideal for front and rear doors, garages, conference rooms, offices, garden cabanas, utility rooms, and workshops. 7100 Series locks mount above the existing lockset, or can be used alone.

Features

- Easily installs on wood or metal doors
- Latch holdback is standard on 7100 Series deadlocking latch models
- **Model 6200** Retrofits 2 1/8" (54 mm) standard bore cylindrical locksets with a 2 3/8" (60 mm) or 2 3/4" (70 mm) backset

Simplex® 6200 Series

Light Commercial/Residential Locks

Mechanical Features

Construction:	All metal; cast front housing; force-proof clutch-protected exterior thumbturn; interior reinforcing plate with brass trim plate; fixed wrought brass interior knob
Installation:	ASA 161 door preparation with additional feature holes; 2 1/8" (54 mm) diameter through bore for housing; 1" (25 mm) diameter cross bore for latch; 2 x 1/4" holes for mounting bolts. The lock can be inverted if the existing auxiliary lock obstructs installation
Minimum stile requirement:	5" (127 mm)
Door handing:	Factory-handed left; field reversible
Numeric pushbuttons:	Vandal resistant, 5 button, anodized aluminum, mechanical
Weight:	4.5 lbs. (2 kg)
Strike:	TS strike plate; DB (Deadbolt) strike box
Latch:	1/2" (13 mm) throw latch, floating or flat face plate
Backset:	2 3/4" (70 mm) or 2 3/8" (60 mm) backset
Door thickness:	1 3/8" (35 mm) to 2 1/4" (57 mm), wood or metal
Finishes:	60 Gold Tone, 67 Almond, 85 Black or 86 Gray powder paint
Control:	Combination change tool

Lock Operation

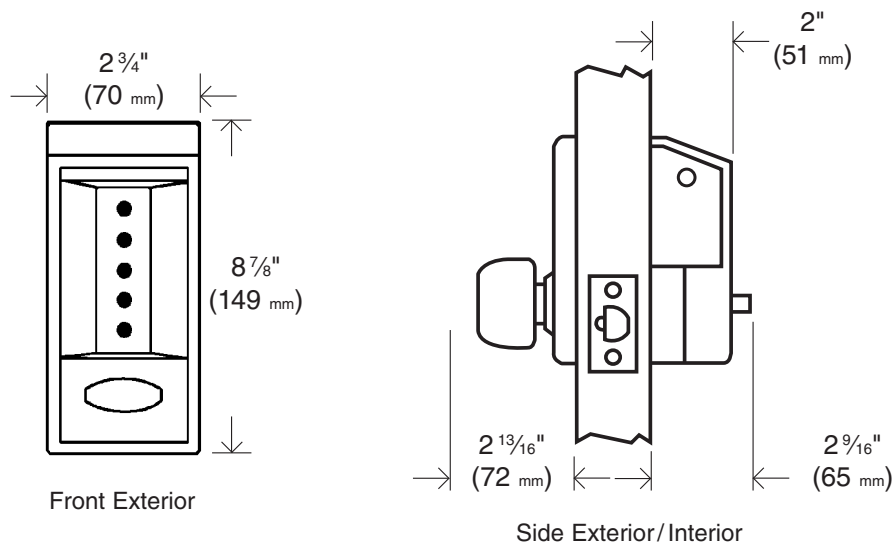
Combination code:	One code per lock made of any combination of one to five numbers (pressed individually or simultaneously)
Code:	Thousands of possible combinations

Certification and Testing

Fire rating:	Three-hour UL/ULC Fire rating for "A" label doors
---------------------	---

Simplex® 6200 Series

Light Commercial/Residential Locks



- | | |
|--|--|
| Model 6204

<ul style="list-style-type: none"> • Combination entry • 1/2" (13 mm) throw floating face plate • Backset 2 3/4" (70 mm) • Primary Lock | Model 6214

<ul style="list-style-type: none"> • Combination entry • 1/2" (13 mm) throw flat face plate • Backset 2 3/4" (70 mm) • Primary Lock |
| Model 6218

<ul style="list-style-type: none"> • Combination entry • 1/2" (13 mm) throw flat face plate • Backset 2 3/8" (60 mm) • Primary Lock | |

Example

6 2 0 4 - 6 0 - 4 1

6 2
Model

Finish

Packaging

Build the model number with the desired options

Model	Finishes	Packaging
6204 Combination entry 1/2" (13 mm) throw, floating face plate Backset 2 3/4" (70 mm) - UL/ULC 3-hour fire rating for "A" labeled doors Primary lock	60 Gold Tone 67 Almond 85 Black 86 Grey	41 1 per box Locks shipped 5 per case
6214 Combination entry 1/2" (13 mm) throw, flat face plate Backset 2 3/4" (70 mm) Primary lock		
6218 Combination entry 1/2" (13 mm) throw, flat face plate Backset 2 3/8" (60 mm) Primary lock		

Items supplied with the lock:

- Installation instructions
- Full-scale template
- Spanner wrench with combination change tool
- Standard strike and strike box

Simplex® 7100 Series

Light Commercial/Residential Locks

Mechanical Features

Construction:	All metal; cast front housing; force-proof clutch-protected exterior thumbturn for rim deadlocking models
Installation:	1 $\frac{3}{8}$ " (35 mm) diameter through bore for housing; 1" (25 mm) diameter cross bore for latch (except 7106); $\frac{3}{4}$ " (19 mm) through bore for combination change sleeve; 2 x $\frac{1}{4}$ " (63 mm) mounting bolts
Minimum stile requirement:	4" (102 mm)
Door handing:	Field reversible
Numeric pushbuttons:	Vandal resistant, 5 button, anodized aluminum, mechanical
Weight:	2 $\frac{1}{2}$ lbs. (1.1 kg)
Strike:	Models 7102 and 7108: Flat strike plate Model 7104: Curved lip strike plate Model 7106: Box strike for inswing doors and flat strike for outswing doors
Latch:	1" (25 mm) tubular deadbolt, $\frac{1}{2}$ " (13 mm) deadlocking latch, $\frac{5}{8}$ " (16 mm) rim deadlocking latch
Backset:	2 $\frac{3}{4}$ " (70 mm) or 2 $\frac{3}{8}$ " (60 mm) backset
Door thickness:	1 $\frac{3}{8}$ " (35 mm) to 2 $\frac{1}{4}$ " (57 mm), wood or metal
Finishes:	Models 7102, 7104 and 7108: 03 (605) Bright Brass PVD Lifetime Finish; 05 (609) Antique Brass, 26D (626) Satin Chrome; AC (059) Antique Copper; GV (060) Gold Vein; AW (062) Antique White; SV (061) Silver Vein Model 7106: 19 (676) Black powder paint; 26D (626) Satin Chrome
Control:	Standard Phillips screwdriver to change combination from the inside of the door (not included)

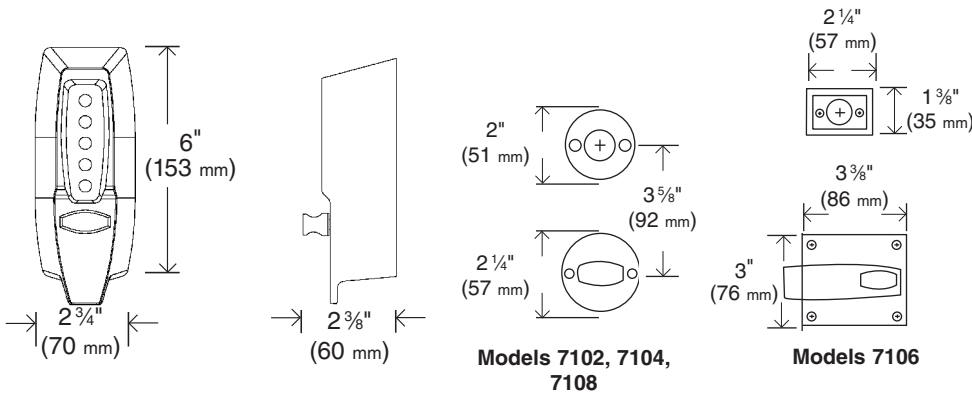
Lock Operation

Combination code:	One code per lock made of any combination of one to five numbers (pressed individually or simultaneously)
Code:	Thousands of possible combinations

Simplex® 7100 Series

Light Commercial/Residential Locks

Simplex®



Front Exterior

Side Exterior

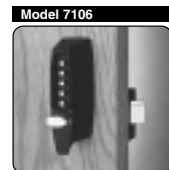
Back Interior



- 1" (25 mm) tubular deadbolt, flat face plate
- Backset 2 3/4" (70 mm)
- Auxiliary lock
- Manual relock



- 1/2" (13 mm) deadlocking latch, flat face plate
- Backset 2 3/8" - 2 3/4" (60-70 mm) - Adjustable
- Primary/auxiliary lock
- Automatic relock



- 5/8" (16 mm) rim deadlocking latch, flat face plate
- Backset 2 3/8" (60 mm)
- For wood doors only
- Auxiliary lock
- Automatic relock and latch holdback



- 1" (25 mm) tubular deadbolt, flat face plate
- Backset 2 3/8" (60 mm)
- Auxiliary lock
- Manual relock

Example 7 1 0 8 - 2 6 D - 4 1

Model: 7 1 Finish: Packaging: 4 1

Build the model number with the desired options

Model	Finishes: Models 7102, 7104 & 7108	Finishes: Model 7106	Packaging
7102 1" (25 mm) tubular deadbolt, flat face plate Backset 2 3/4" (70 mm) Auxiliary lock Manual relock	03 Bright Brass (605) PVD Lifetime Finish 05 Antique Brass (609) 26D Satin Chrome (626)	26D Satin Chrome (626) 19 Black (Powder Paint 676)	41 1 per box Locks shipped 5 per case
7104 1/2" (13 mm) deadlocking latch, flat face plate Backset 2 3/8" - 2 3/4" (60 - 70 mm) - Adjustable Primary/auxiliary lock Automatic relock	AW Antique White (Powder Paint 062) AC Antique Copper (Powder Paint 051)		
7106 5/8" (16 mm) rim deadlocking latch, flat face plate Backset 2 3/8" (60 mm) For wood doors only Auxiliary lock Automatic relock and latch holdback	GV Gold Vein (Powder Paint 060) SV Silver Vein (Powder Paint 061)		
7108 1" (25 mm) tubular deadbolt, flat face plate Backset 2 3/8" (60 mm) Available only in 19 and 26 D Finishes Auxiliary lock Manual relock			

Items supplied with the lock:

- Installation instructions
- Full-scale template
- Strike for inswing and outswing doors (appropriate to latch type)
- Strike box

Access Control Catalog - June 2004



Simplex® 900 Series Light Commercial/Residential Locks



Simplex® 900 Series

Application

The 900 Series auxiliary lockset provides fully mechanical access control, while allowing free egress at all times by interior thumbturn. Deadbolt models are manually relocking. Deadlocking spring latch models automatically relock each time the door closes, with standard latch holdback. 900 Series locksets are suitable for commercial or residential applications. The lock mounts above an existing lockset, or can be used alone.

Custom versions of the 900 Series lockset can be developed for our OEM customers, for a variety of access control applications.

Optional Features

- **Key override:** Can be used to override the lock combination and gain access using a key. This feature allows facilities to initiate or maintain a master-keyed security system (keyed alike or keyed differently). Override model locks can be ordered with or without a cylinder.
- **Interior lever handle:** For inswing applications. Offers a more ergonomic exit handle.
- **Panic bar release kit:** For use on emergency exits. Connects the panic bar to the interior lock release lever, for spring latch models only.
- **Latch holdback:** Allows access without using the lock entry code, keeping the door unlocked.
- **DOD requirements:** The Model 929 security lock complies with paragraph 36a of the Industrial Security Manual published by the U.S. Department of Defense (DOD), and is approved as a substitute for guard forces in the protection of Closed and Restricted Areas in the facilities of DOD contractors. Model 929 meets the following requirements for a security lock:
 - Combination change access can be padlocked (on inside of door, padlock not included)
 - No latch holdback
 - Spring latch with deadlocking trigger (prevents prying the latch when the door is closed)
 - Includes face plate shield

Simplex® 900 Series

Light Commercial/Residential Locks

Mechanical Features

Construction:	All metal; cast rear housing; force-proof clutch-protected thumbturn; exterior brass trim plate
Installation:	Rim type spring latch (surface mounted on inside of door); through-bore 1 5/8" for barrel, 3/4" (19 mm) for thumbturn and 7/8" (22 mm) for optional key override; face plate covers mounting holes
Door handing:	Field reversible latch. Invert the lock for right hand doors. Roman numerals are easily read in either orientation.
Numeric pushbuttons:	Vandal resistant, 5 button, anodized aluminum, mechanical
Weight:	4 lbs. (1.8 kg)
Strike:	Includes strike plate for outswing doors, cast box strike for inswing doors. Metal door frames require the optional surface mortise box strike, or use of an adapter kit (see accessories)
Latch:	1" (25 mm) deadbolt, or rim spring latch with deadlocking trigger and latch holdback
Backset:	2 5/16" (65 mm) for outswing doors, 2 1/2" (64 mm) for inswing doors
Door thickness:	Standard models 1 3/8" (35 mm) to 1 1/2" (38 mm) or 1 3/4" (44 mm) to 2 1/8" (54 mm) Model 929: Lockset for DOD standards, 1 3/4" (44 mm) to 2 1/8" (54 mm) only
Finishes:	04 (633) Satin Brass; 26D (626) Satin Chrome Model 929: 26D (626) Satin Chrome
Control:	Allen wrench for access to combination change

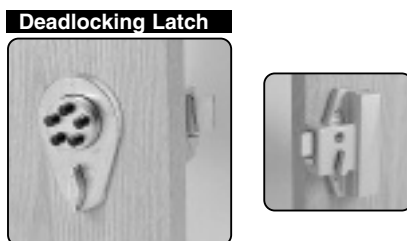
Simplex® 900 Series

Light Commercial/Residential Locks

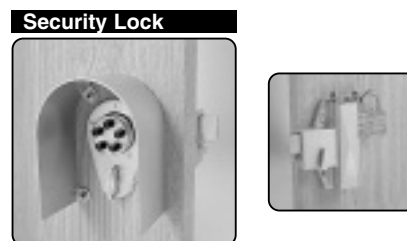
Bolt and Latch Options



Models 902, 904, 906, 910
 Deadbolt
 1" (25 mm) throw, flat face plate
 Auxiliary lock
 Manual relock



Models 917, 919, 935, 938
 Deadlocking latch
 5/8" (16 mm) throw, flat face plate
 Primary or auxiliary lock
 Automatic relock

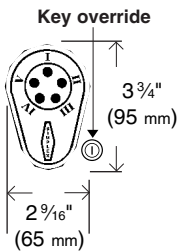


Models 929
 Security Lock
 5/8" (16 mm) throw
 Primary or auxiliary lock
 Automatic relock

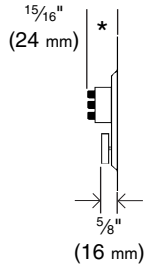
Model	Description	Bolt/Latch	Latch Holdback	Key Override	DOD Compliance	Door Thickness
9020000	900 Series lockset	Deadbolt				1 3/8" - 1 1/2" (35 mm - 38 mm)
9040000	900 Series lockset	Deadbolt				1 3/4" - 2 1/8" (44 mm - 54 mm)
9060000	900 Series lockset	Deadbolt		•		1 3/8" - 1 1/2" (35 mm - 38 mm)
9100000	900 Series lockset	Deadbolt		•		1 3/4" - 2 1/8" (44 mm - 54 mm)
9170000	900 Series lockset	Deadlocking latch	•			1 3/8" - 1 1/2" (35 mm - 38 mm)
9190000	900 Series lockset	Deadlocking latch	•			1 3/4" - 2 1/8" (44 mm - 54 mm)
9200000	900 Series lockset	Deadlocking latch				1 3/8" - 1 1/2" (35 mm - 38 mm)
9220000	900 Series lockset	Deadlocking latch				1 3/4" - 2 1/8" (44 mm - 54 mm)
9290000	900 Series lockset	Deadlocking latch			•	1 3/4" - 2 1/8" (44 mm - 54 mm)
9350000	900 Series lockset	Deadlocking latch	•	•		1 3/8" - 1 1/2" (35 mm - 38 mm)
9380000	900 Series lockset	Deadlocking latch	•	•		1 3/4" - 2 1/8" (44 mm - 54 mm)

Simplex® 900 Series

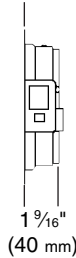
Light Commercial/Residential Locks



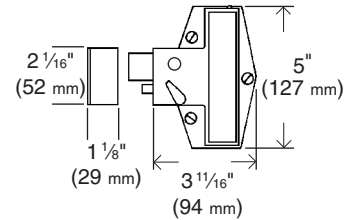
Front Exterior



Side Exterior



Side Interior



Back Interior
(Spring latch models)

Example

9 1 0 1 4 0 0 - 2 6 D - 4 1

9 [] []
Model

[] [] [] []
Options

[] [] [] []
Finishes

[] []
Packaging

Build the model number with the desired options

Model	Options	Finishes	Packaging
<p>Models 902, 904, 906, 910 are auxiliary locks with manual relock. Entry is by combination, egress is by interior thumbturn. They are deadbolt, with 1" (25 mm) throw, flat face plate.</p> <p>902 Door thickness 1 3/8"-1 1/2" (35-38 mm)</p> <p>904 Door thickness 1 3/8"-2 1/8" (44-54 mm)</p> <p>906 Door thickness 1 3/8"-1 1/2" (35-38 mm) Key override</p> <p>910 Door thickness 1 3/8"-2 1/8" (44-54 mm) Key override</p> <p>Models 917, 919, 920, 922, 929, 935, 938 have automatic relock. Entry is by combination, egress is by interior thumbturn. They have a deadlocking latch, with 5/8" (16 mm) throw, flat face plate. Model 929 is DOD compliant.</p> <p>917 Primary / auxiliary lock Door thickness 1 3/8"-1 1/2" (35-38 mm) Latch holdback</p> <p>919 Primary / auxiliary lock Door thickness 1 3/8"-2 1/8" (44-54 mm) Latch holdback</p> <p>920 Auxiliary lock Door thickness 1 3/8"-1 1/2" (35-38 mm)</p> <p>922 Auxiliary lock Door thickness 1 3/8"-2 1/8" (44-54 mm)</p> <p>929 Primary / auxiliary lock Door thickness 1 3/8"-2 1/8" (44-54 mm) DOD compliance Face plate shield & padlock clasp included</p> <p>935 Primary / auxiliary lock Door thickness 1 3/8"-1 1/2" (35-38 mm) Latch holdback Key override</p> <p>938 Primary / auxiliary lock Door thickness 1 3/8"-2 1/8" (44-54 mm) Latch holdback Key override</p>	<p>Select up to 4 options and insert 0 if less than 4 options required.</p> <p>0 None</p> <p>1 Substitutes a surface mounted strike box for metal door frames in place of the standard mortise strike box (Part Number 74464)</p> <p>2 Deletes the key cylinder from key override models. Recessed escutcheon recommended for standard rim cylinder installation. Your rim cylinder tailpiece must be reduced in width to accommodate the tail receptacle. Specify the position of your cylinder tailpiece (vertical or horizontal) to mate with your standard size rim cylinder (not supplied)</p> <p>3 Substitutes a 2 1/2" (64 mm) lever in place of the standard inside thumbturn (Part Number 74437)</p> <p>4 Master key (Key override model)</p> <p>5 Adds the panic bar release kit to a spring latch model (Part Number 74438)</p> <p>6 Option is now a standard lock model. Models have spring latch without latch holdback. See Models 920 and 922 in Ordering Information</p> <p>7 Deletes the key cylinder from key override models and changes gear plate to a 100 Series. Recessed escutcheon recommended for standard rim cylinder installation. Your rim cylinder tailpiece must be reduced in width to accommodate the tail receptacle. Specify the position of your cylinder tailpiece (vertical or horizontal) to mate with your standard size rim cylinder (not supplied)</p> <p>8 Changes gear plate to accept a horizontal tailpiece</p>	<p>04 Satin Brass (633) not available for model 929</p> <p>26D Satin Chrome (626)</p>	<p>41 1 per box</p> <p>Locks shipped 12 per case</p>

Items supplied with the lock:

- Installation instructions
- Strike for inswing and outswing doors (appropriate to latch type)
- Full-scale template
- All hardware required for a complete installation

Simplex® 9600 Series

9600 Series Cabinet Locks



9600 Series

Application

9600 Series Cabinet Locks use the same proven combination system as our other push-button access controls, and are specifically designed for cabinet doors, desk drawers, and similar applications. Ideal for use in many locations: medicine chests, liquor cabinets, gun boxes, courier pick-up boxes, home entertainment units, cleaning supply cabinets, tool chests, private files, display cases, supply cabinets, audio-visual cabinets, and petty cash drawers.

The locks can be used alone or in combination with other locking devices for maximum security.

Features

- C9600 models specially packaged for the consumer market with everything the “Do It Yourself” customer needs

Optional types of installations

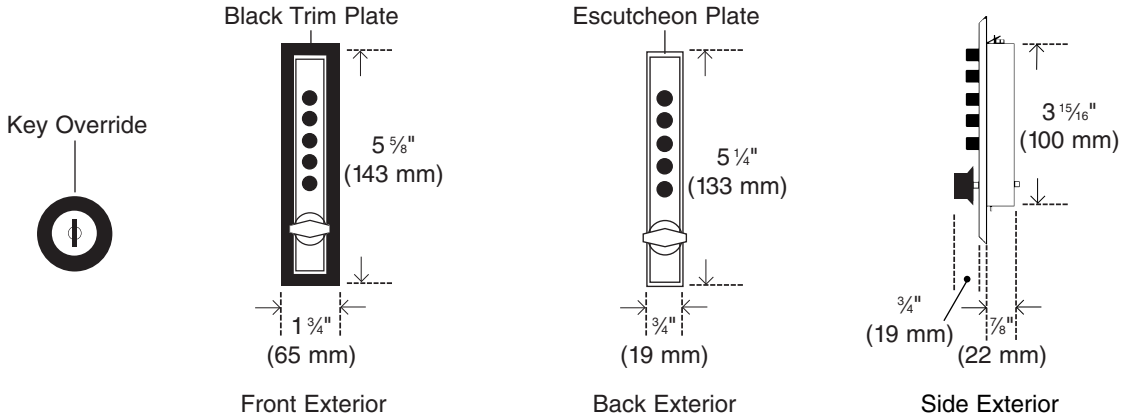
- Wood
- Sheet metal

Mechanical Features

- **Construction:** All metal, cast face plate
- **Installation:** Horizontal or vertical. Two-step mortise installation using router or 5 1/2" (140 mm) x 1" (25 mm) slot with trim plate (for wood applications). Punched slot or series of 7/16" (11 mm) drilled holes (for metal applications)
- **Door handing:** None
- **Numeric pushbuttons:** Vandal resistant, 5 button, anodized aluminum, mechanical
- **Weight:** 1 lb. (0.5 kg)
- **Bolt:** End-throw/cross-throw deadbolt (with manual relock); end-throw spring latch (with automatic relock)
- **Door thickness:** Wood doors: 5/8" (16 mm) to 7/8" (22 mm); sheet metal applications: 20 to 14 gauge
- **Finishes:** Bright Brass 03 (605), Satin Brass 04 (633) and Satin Chrome 26D (626); buttons and optional trim plate are black

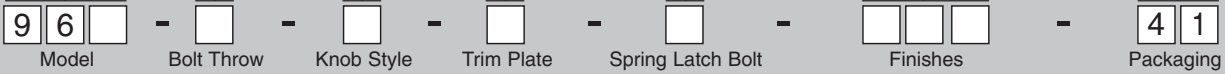
Simplex® 9600 Series

9600 Series Cabinet Locks



Example

9 6 2 - 2 - C - 2 - 2 - 2 6 D - 4 1



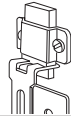
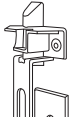
Build the model number with the desired options

Model	Throw	Knob Style	Trim Plate	Latch Bolt	Finishes	Packaging			
962 Wood 5/8" (16 mm) to 7/8" (27 mm)	1 Cross throw	C Clutch (ball bearing)	1 Without plate	0 Standard deadbolt	03 Bright Brass	41 1 per box			
966 Sheet metal 14 to 20 gauge	2 End throw								
	3 End throw with cross throw parts								
967 Sheet metal 1/8" (3 mm)							2 With plate	1 - (*) Spring loaded latch	04 Satin Brass
968 Sheet metal 3/16" (5 mm)								2 - (*, **) Spring loaded latch Key override	26D Satin Chrome (626)
969 Sheet metal 1/4" (6 mm)			9 - Double throw bolt						

(*) - End throw models only; (**) - Keyed alike

C9600 Series

Specially packaged with everything the "Do It Yourself" customer needs. For wood applications.

Item	Description
	C9601 5/8" (16 mm) to 7/8" (27 mm) thickness, End throw/hex knob/ deadbolt included/trim plate included Ball bearing clutch knob
	C9602 5/8" (16 mm) to 7/8" (27 mm) thickness, End throw/hex knob/spring latch included/trim plate included Ball bearing clutch knob

FG10, F2500, F2570, F2580 Series File Guard™



Application

File Guard is ideal for turning an ordinary filing cabinet into a security cabinet. Its steel channel bar and $\frac{3}{8}$ " steel mounting bolts ensure maximum security for confidential, classified and secret documents. Almond and black finishes complement any cabinet or office décor.

Features

- **Ease of installation:** Simply attach the top and bottom pins (and the self-storing hinge on the F2570 Series) to the front of the cabinet.
- **Fits most cabinets:** Available in lengths to fit standard 2, 3, 4 and 5-drawer cabinets, with custom lengths also available.
- **Secure:** Provides added protection as compared with most built-in cabinet locks from the manufacturer.
- **Easy to use:** Designed for quick and easy removal and replacement, as many times per day as required.

Optional Locking Features

- **Model FG10:** Pushbutton lock File Guard, with a mounted pushbutton lock for convenient, user controlled keyless access. Thousands of changeable combinations.
- **Model F2500:** For use with a padlock (not included). Meets U.S. Department of Defense requirements for storage of secret and classified material when used with an appropriate lock.
- **Model F2570:** For use with a padlock (not included). The locking bar will pivot away from the front of the unit to permit drawer opening. Meets U.S. Department of Defense requirements for storage of secret and classified material when used with an appropriate lock.
- **Model F2580:** Built-in 5-pin key lock (Schlage "C" or Weiser keyway) in a rugged steel housing. Keyed different. Can be keyed alike upon request. Master and grand master keying available on request.

Mechanical Features

- **Construction:** Heavy duty steel channel bar
- **Installation: Model FG10, F2500, F2580:** Attach mounting pins ($\frac{3}{8}$ " steel bolts) to cabinet
Model F2570: Attach mounting pins ($\frac{3}{8}$ " steel bolts) and hinges to cabinet
- **Handing:** Non-handed
- **Control (for pushbutton): Model FG10:** Screwdriver (not included)
Model F2580: Keylock
- **Finishes: A** Almond; **B** Black



FG10, F2500, F2570, F2580 Series File Guard™








Example

F 2 5 0 5 - A



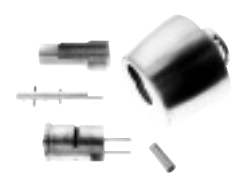
Build the model number with the desired options

Model			Finishes
FG10 Pushbutton Keyless Ball bearing clutch knob  FG12 2 Drawer cabinet 29" (737 mm) FG14 4 Drawer cabinet 51 ¼" (1302 mm) FG15 5 Drawer cabinet 59" (1499 mm) F25002 Accessory pack	F2500 Series Padlock F2505 5 Drawer cabinet 59" (1499 mm) F25002 Accessory pack F2570 Series Padlock Self-Storing  F2572 2 Drawer cabinet 29" (737 mm) F2573 3 Drawer cabinet 38 ¼" (972 mm) F2574 4 Drawer cabinet 51 ¼" (1302 mm) F2575 5 Drawer cabinet 59" (1499 mm) F25703 Accessory pack	F2580 Series Key Lock  F2582 2 Drawer cabinet 29" (737 mm) F2583 3 Drawer cabinet 38 ¼" (972 mm) F2584 4 Drawer cabinet 51 ¼" (1302 mm) F2585 5 Drawer cabinet 59" (1499 mm) F25804 Accessory pack	A Almond B Black
F2500 Series Padlock  F2502 2 Drawer cabinet 29" (737 mm) F2503 3 Drawer cabinet 38 ¼" (972 mm) F2504 4 Drawer cabinet 51 ¼" (1302 mm)		Slide Notch  Special Lengths: Available with minimum quantity of 12 per length. Maximum length is 66" (1676.4 mm). Minimum is 13" (330.2 mm) for FG10, F2500, F2580 and 17" (431.8 mm) for F2570 . To order, specify 6 as the last digit of product number followed by length (inches) and color. Example: F2586-55"-B (Call for quote)	

Includes: Mounting hardware: Notch pins, Clevis pins, Lock washers, Screw nuts and screws as required. Accessory packs (F25002, F25703, F25804) provide additional/replacement mounting hardware.

Simplex® Accessories

1000 Series Knob Conversion Assemblies



The kit is to convert the 1000 series knob to different supplier of core. Removable core cylinders not included.

Example

2
0
1
4
1
7
-
2
6
D
-
0
1

2
0
1

-

-
0
1

Part Number
Finish
Packaging

Build the model number with the desired options

Part Number	Finishes	Packaging
ASSA 201610	03 Bright Brass (605) 05 Antique Brass (609) 026 Bright Chrome (625) 26D Satin Chrome (626)	01 1 per bag
Best & Compatibles (6 or 7-pin) 201490		
Corbin / Russwin 201417		
Medeco* / Yale (6-pin) 201419		
Sargent 201532		
Schlage 201558		

* 5-pin Medeco cylinder requires a special knob spacer. Request spacer when ordering, part number 201569 (supplied free of charge)



Simplex® Accessories

L1000 Lever Conversion Assemblies



The Kit is to convert an existing L1000 Series lock from standard to key override.
Removable core cylinders not included.

Example

2 0 1 8 4 5 - 2 6 D - 0 1

2 0 1 [] [] []

Part Number







[] [] []

Finish

0 1

Packaging

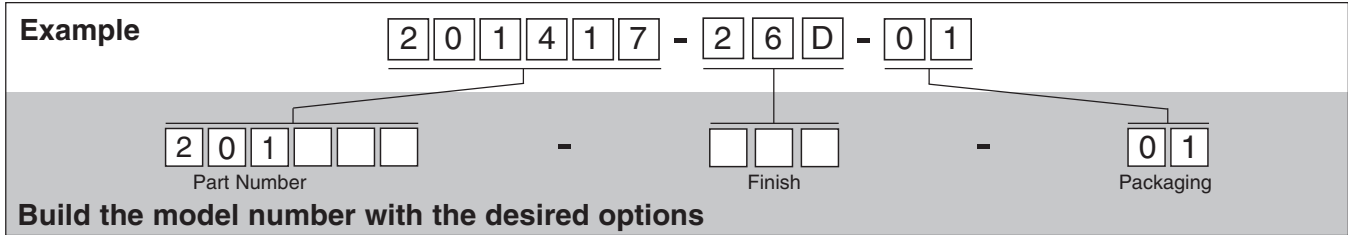
Build the model number with the desired options





Part Number	Finishes	Packaging
ASSA 204013 Right Hand 204014 Left Hand	03 Bright Brass (605)	01 1 per bag
Best/Falcon/Arrow/Eagle/KSP/Lloyd Matheson 201935 Right Hand 201936 Left Hand	05 Antique Brass (609)	
	26D Satin Chrome (626)	
Corbin/Russwin 201937 Right Hand 201938 Left Hand	 201845 201846	 201935 201936
Medeco*/Yale 201933 Right Hand 201934 Left Hand	 201931 201932	
Sargent 201931 Right Hand 201932 Left Hand	 201937 201938	 201933 201934
Schlage 201845 Right Hand 201846 Left Hand	 204013 204014	

* 5-pin Medeco cylinder requires a special knob spacer. Request spacer when ordering, part number 201569 (supplied free of charge)

Simplex® Accessories

1000, L1000 & EE1000 Latches, Strikes, Cores & Filler Plates



Part Number	Finishes	Packaging
 <p>ASA strike 204119 For 4 7/8" (105 mm) long cutout</p>	<p>03 Bright Brass (605)</p> <p>05 Antique Brass (609)</p>	<p>01 1 per box</p>
 <p>ASA roller strike 201821 For 4 7/8" (105 mm) long cutout</p>	<p>26D Satin Chrome (626)</p>	
 <p>Filler Plate 201826 10 1/2" (267 mm) 201518 15" (381 mm)</p>	<p>03 Bright Brass (605) 05 Antique Brass (609)</p> <p>26D Satin Chrome (626)</p>	<p>41</p>
 <p>Latch 201144 3/4" (19 mm) brass latch (carries UL/ULC 3-hour fire rating for "A" labeled doors) with beveled face plate; 2 3/4" (70 mm) backset</p> <p>201605 3/4" (19 mm) brass latch (carries UL/ULC 3-hour fire rating for "A" labeled doors) with flat face plate; 2 3/4" (70 mm) backset</p> <p>201961 5/8" (16 mm) brass latch (carries UL/ULC 3-hour fire rating for "A" labeled doors) with flat face plate; 2 3/4" (70 mm) backset</p> <p>204168 1/2" (13 mm) brass latch (carries UL/ULC 3-hour fire rating for "A" labeled doors) with floating face plate; 2 3/4" (70 mm) backset</p>	<p>03 Bright Brass (605)</p> <p>05 Antique Brass (609)</p> <p>26D Satin Chrome (626)</p>	<p>01</p>
<p>204004 3/4" (19 mm) brass latch (carries UL/ULC 3-hour fire rating for "A" labeled doors) with beveled face plate; 2 3/4" (70 mm) backset; for model L1076 only</p>	<p>03 Bright Brass (605)</p> <p>05 Antique Brass (609) (Not available for Model 201484)</p> <p>26D Satin Chrome (626)</p>	<p>41 1 per box</p>
<p>Removable core cylinder 201484 Best</p>		

Simplex® Accessories

1000, L1000, EE1000 Accessories

Item	Description	#
Anti-spy shield	19 (676) black paint finish; packaged 1 per box Fits 1000, L1000, EE1000 & LP1000 Series	201600-19-41

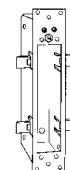


UNI-LUB	UNI-LUB for arctic applications; -40°F to 140°F (-38°C to 60°C) operating range; includes 4 oz. (118 ml) squeeze bottle of moisture repellant anti-freeze lubricant and 4 oz. (118 ml) squeeze bottle of light-consistency grease; packaged 1 bottle lubricant and 1 bottle grease per box	204061-000-01 204062-000-01
----------------	---	--------------------------------



Switch Control Narrow Stile Outlet

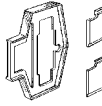
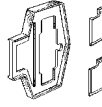

For narrow plate models, mounts to studs in new construction, or to paneling and drywall (secure with bendable tabs).

Item	Description	#
	Outlet box compatible with switch control models 2520, 2540	2550

3100 Series Electric Release Kit

Item	Description	#
	Electric release kit for 3100 Series locks Includes: Solenoid, related parts and template. Does not include power supply, wiring or pushbutton (momentary contact normally open type required).	3100ERK

Model 900 Accessories

Item	Description	#
	Adapter kit for doors with metal frames Includes: Riser plates and surface mounted strike box Finish: 04 Bright Brass; packaged 1 per box	800-04-41
	Adapter kit for doors with metal frames Includes: Riser plates and surface mounted strike box Finish: 26D Satin Chrome; packaged 1 per box	800-26D-41
	Face Plate Shield Not for use with key override models. Inhibits unauthorized observation of the combination. Finish: 26D Satin Chrome; packaged 1 per box	805-26D-41
	Master keys for key override models	54266-1-11
	Service keys for key override models	54266-2-11

Simplex® Accessories

1000, L1000, EE1000 Accessories

Product Demonstration Mounts

Item	Description	#
	Hardwood product demonstration mount, packaged 1 per box. Mounts do not include locks.	
	8100 Series	204083
	1000, L1000, & EE1000 Series	204086
	LP1000 Series	204087
	900 Series	204089
	7002 Series	204090
	7004, 7014 Series	204091
	7006 Series	204092
	7008 Series	204093
	6200 Series	204094
	2400 & 2500 Series Shunt switches	204193
	2000-1, 3, & 5 Series	204095
	2015 Series	204096
	5000 Series	203044
	3000 Series narrow stile	74378-CH
	3100 Series narrow stile, 1 1/8" backset (Satin Chrome)	74794-26D
	3100 Series narrow stile, 3 1/32" backset	74795-26D
	3100 Series narrow stile, 1 1/8" backset (Duranodic)	74794-55
	3100 Series narrow stile, 3 1/32" backset	74795-55

