

SCHLAGE®

L-Series Service Manual

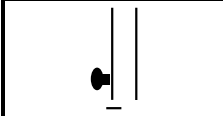
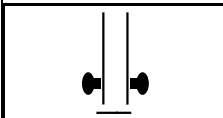
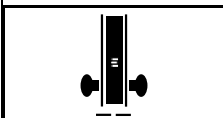
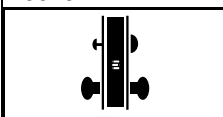
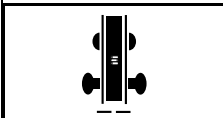
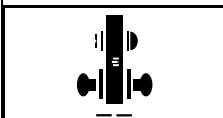
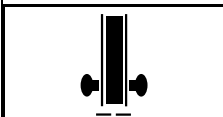


Table of Contents

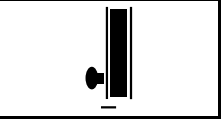

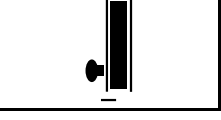
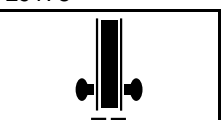
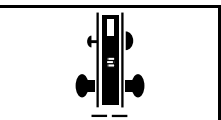
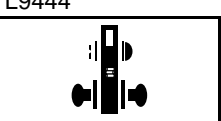
Lock Assembly Drawing Index	1-9	Lock Case Chart	66-69
Trim Assemblies	10-29	Lock Case Compatibility Chart	70
Single Dummy Trim: L0170	10	Rose Trim A or B	71-72
Double Dummy Trim: L0172	11	Cast or Forged Lever Designs	71
L400-Series Deadbolt Trim: L460, L462, L463, L464, L480, L496	12	Bent Extruded Bar Lever Design	71
Passage Latch Trim: L9010	13	Wrought Knob Designs	71
Emergency Button x Turn Trim: L9040, L9440	14	Outside Rose Dimensions	72
Privacy x Turns Both Sides Trim: L9040/XL11-446	15	Inside Rose	72
Coin Turn Outside x Turn Trim: L9044, L9444	16	Blank Outside Rose	72
Cylinder x Turn Trim: L9050, L9056, L9410/XL11-742 (disc), L9453, L9456, L9473	17	Inside Knob/Lever Assembly	72
Double Cylinder Trim: L9060, L9071, L9077, L9082, L9457, L9462/XL11-886, L9466	18	Outside Knob/Lever Assembly	72
Cylinder Outside Trim: L9070, L9076, L9080, L9080EL/EU, L9080EL/EU-RX, L9464/XL11-886, L9465	19	L Escutcheon Trim	73-76
EL/EU Locked/Unlocked Both Sides Trim: L9082EL/E	20	Cast or Forged Lever Designs	73
Active Double Dummy Trim: L9110/XL11-741	21	Outside L Escutcheon Dimensions	74
Single Dummy with Case Trim: L9175, L9177 Discontinued	22	Inside Knob/Lever Assembly	74
Double Dummy with Case Trim: L9176, L9178 Discontinued	23	Outside Knob/Lever Assembly	74
L9000-Series Deadbolt Trim: L9460, L9462, L9463, L9464	24	Outside Escutcheons	75
Deadbolt with Fixed Double Dummy Trim: L9460/XL11-635	25	Inside Escutcheons	76
Inside Fixed Outside x Turn Trim: L9460/XL11-886, L9480, L9485	26	N Escutcheon Trim	77-79
Institution Deadbolt Trim: L9482/XL11-543	27	Cast or Forged Lever Designs	77
Prison Lock Trim: L9485/XL11-557	28	Outside N Escutcheon Dimensions	78
Hotel with Indicator Trim: L9486, L9486 x L583-375, L9496	29	Bent Extruded Bar Lever Designs	78
Trim Assemblies Chart	30-39	Inside Lever Assembly	78
Lock Case Assemblies	40-65	Outside Lever Assembly	78
L460, L462, L463, L464, L480, L496	40	Outside Escutcheons	79
L9010	41	Inside Escutcheons	79
L9040, L9040/XL11-446, L9044	42	Mediterranean Trim	80
L9050, L9060, L9070, L9071,	43	Lever, Rose, and Escutcheon Designs	80
L9056	44	Outside Rose or Escutcheon Dimensions	80
L9076, L9077	45	Inside Lever Assembly	80
L9080	46	Outside Lever Assembly	80
L9080EL, L9080EL-RX	47	Trim Options	81-82
L9080EU, L9080EU-RX	48	Thumbturn	81
L9082	49	ADA Cylinder Turn	81
L9082EL	50	Cylinder Turn	81
L9082EU	51	Coin Turn	81
L9110/XL11-741	52	“Do Not Disturb” Indicator	81
L9175, L9177	53	“Occupied” Indicator	81
L9176, L9178	54	“EZ” Thumbturn for Rose Trim	81
L9410/XL11-742 (discontinued)	55	Thumbturn x Knob/Lever with “EZ” Turn	81
L9440, L9444	56	Thumbturn x blank with “EZ” Turn	81
L9453	57	Tactile Warning (Knurling)	82
L9456, L9457, L9496	58	Cast XPO Prison Knob and Rose (discontinued)	82
L9460, L9462, L9463, L9464	59	Modified Outside 03 Lever for Folger Adam Lever Trak	82
L9460/XL11-661	60	Emergency Tur	82
L9460/XL11-886, L9462/XL11-886, L9464/XL11-886	61	Emergency Button	82
L9465, L9466, L9473	62	Trim Assembly Parts	83-84
L9480, L9485, L9486, L9486 x L583-375	63	Escutcheon Thru-Bolt/Screws	83
L9482/XL11-543	64	Standard Screw Pack	83
L9485/XL11-557	65	Tamper Resistant Torx Screw Packs	83
		Drivers to Operate Occupancy Indicator	83
		Mounting Plate for Trim One Side Only	84
		Mounting Posts	84
		Spindles and Springs	84

Armor Fronts	85-86	Small Format Interchangeable Cores	99-100
Strikes	87-88	Exploded View – Small Format Everest™ Keyways	99
Strike Dimensions	87	Everest™ Patented Keyway Cores	99
Door Frame Strike Reinforcer Dimensions	87	L-Series (except L9060 outside)	100
Cylinder Lengths and Specifications	89	L-Series L9060 Outside	100
How to Measure Cylinder Lengths	89	Other Straight Cam Applications	100
Cylinder Length Dimension Chart	89	Blocking and Compression Rings	101
Cylinder and Length Requirements	89	Dimensions for Blocking Rings	101
Full Face Cylinders	90-92	Full Size Core Blocking Ring Requirements	101
Exploded View – Everest™ Mortise Cylinder	90	SFIC Blocking Ring Requirements	101
Exploded View – Classic Mortise Cylinder	91	Special Options	102
Exploded View – Hotel Mortise Cylinder	91	Special Cylinder Applications	102
Exploded View – Holdback Mortise Cylinder (discontinued)	91	Solid Latchbolt	102
L-Series (except L9060 outside)	92	Armor Front w/ Deadbolt Hole	102
L-Series L9060 Outside	92	Lead Lining XL11-515	102
L-Series Holdback (Discontinued)	92	Electrically Locking	103
Concealed Cylinders	93-95	L9080 EL Electrically Locked (fail safe):	103
Exploded View – Everest™ Mortise Cylinder	93	L9080 EU Electrically Unlocked (fail secure):	103
Exploded View – Classic Mortise Cylinder	94	Request to Exit (RX) Feature L283-059/125:	103
Exploded View – Hotel Mortise Cylinder	94	L9082 EL or EU Electrically Locked or Unlocked Both Sides: ..	103
Exploded View – Holdback Mortise Cylinder (discontinued)	94	Cylinders:	103
L-Series (except L9060 outside)	95	Replacement Kit:	103
L-Series L9060 Outside	95	Electrical Requirements:	103
L-Series Holdback (Discontinued)	95	Typical Installation:	103
Full Size Interchangeable Cores	96-98	Lubrication Specifications	104
Exploded View – Full Size Classic	96	Door Handing	105
Exploded View – Full Size Hotel Classic	96	L9000-Series Installation Sheet	106-111
L-Series (except L9060 outside)	97	L400-Series Installation Sheet	112-114
L-Series L9060 Outside	97	Ordering Procedures	115
L-Series Holdback (Discontinued)	97	Finishes	116
Full Size Cores	98	Finish Codes and Descriptions	116
Full Size Core Parts	98	Finish Availability	116
		Limited Warranty	117


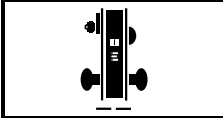
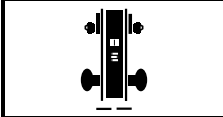
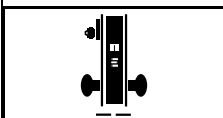
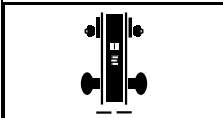
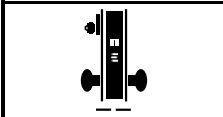
Lock Assembly Drawing Index

Functions ANSI A156.13, 1994, Series 1000		Trim Assembly Page Number	Lock Case	
			Assembly Page Number	Part Number
Non-Keyed Locks SCHLAGE® ANSI				
L0170 	Single Dummy Trim Knob/lever on one side fixed by mounting bar.	10	—	—
L0172 	Double Dummy Trim Knob/lever on both sides fixed by mounting bar.	11	—	—
L9010 F01 	Passage Latch Latchbolt retracted by knob/lever from either side at all times.	13	41	L283-131
L9040 F22 	Bath/Bedroom Privacy Lock Latchbolt retracted by knob/lever from either side unless outside is locked by inside turn piece. Turning inside knob/lever or closing door unlocks outside knob/lever. To unlock from outside, remove emergency button, insert emergency turn in access hole, and rotate.	14	42	L283-132
L9040 x XL11-446 	Privacy with Turns Both Sides Latchbolt retracted by knob/lever from either side unless outside is locked by inside or outside turn piece. Turning inside knob/lever or closing door unlocks outside knob/lever. Specify per XL11-446	15	42	L283-132
L9044 	Privacy with Coin Turn Outside Latchbolt retracted by knob/lever from either side unless outside is locked by inside thumbturn or outside coin turn. Operating inside knob/lever, closing door, rotating inside thumbturn, or outside coin turn unlocks outside knob/lever. Available in rose trim only. Specify per L283-056 for Torx screws (previously XL11-868).	16	42	L283-132
L9110 x XL11-741 	Double Dummy with Active Trim Knob/lever always active both sides. Includes lock case and armor front. Specify XL11-741 for use on active door. Also specify XL11-743 for use on inactive door (furnished with armor front with cutout to receive deadbolt).	21	52	XL11-741

Lock Assembly Drawing Index

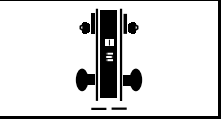
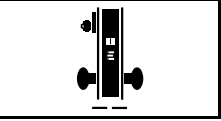
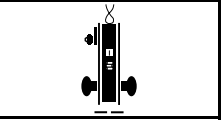
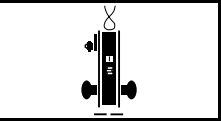
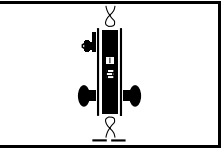
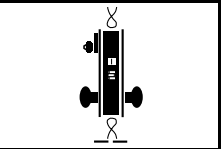
Functions ANSI A156.13, 1994, Series 1000	Trim Assembly Page Number	Lock Case	
		Assembly Page Number	Part Number
Non-Keyed Locks SCHLAGE® ANSI L9175 	22	53	L283-144
Single Dummy with Lock Case Knob/lever on one side inoperable. Includes lock case and armor front.			
L9176 	23	54	L283-145
Double Dummy with Lock Case Knob/lever on both sides inoperable. Includes lock case and armor front.			
L9177 	22	53	L283-144
Single Dummy with Armor Strike (Discontinued) Knob/lever on one side inoperable. Includes lock case and armor strike for use as the strike for inactive door. Function available by ordering 10-091 (specify hand of inactive door) and L9175 less strike.			
L9178 	23	54	L283-145
Double Dummy with Armor Strike (discontinued) Knob/lever on both sides inoperable. Includes lock case and armor strike for use as the strike for inactive door. Function available by ordering 10-091 (specify hand of inactive door) and L9176 less strike.			
L9440 	14	56	L283-062
Privacy with Deadbolt Latchbolt retracted by knob/lever from either side. Deadbolt thrown or retracted by inside thumbturn. Throwing deadbolt locks outside knob/lever. Rotating inside knob/lever simultaneously retracts deadbolt and latchbolt, and unlocks outside knob/lever. To unlock from outside, remove emergency button, insert turn piece in access hole, and rotate. (Previously XL11-761)			
L9444 	16	56	L283-062
Privacy with Deadbolt and Coin Turn Latchbolt retracted by knob/lever from either side. Deadbolt thrown or retracted by inside thumbturn or outside coin turn. Throwing deadbolt locks outside knob/lever. Rotating inside knob/lever simultaneously retracts deadbolt and latchbolt, and unlocks outside knob/lever. Rotating outside coin turn retracts deadbolt and unlocks outside knob/lever. Available in rose trim only. Specify pe L283-056 for Torx screws (previously XL11-868).			

Lock Assembly Drawing Index

Functions ANSI A156.13, 1994, Series 1000		Trim Assembly Page Number	Lock Case		
			Assembly Page Number	Part Number	
Keyed Locks SCHLAGE ANSI					
L9050	F04	Office and Inner Entry Lock	17	43	L283-133
		Latchbolt retracted by knob/lever from either side unless outside is made inoperative by key outside or by turning inside thumbturn. When outside is locked, latchbolt is retracted by key outside or by knob/lever inside. Outside knob/lever remains locked until thumbturn is returned to vertical or unlocked by key. Auxiliary latch deadlocks latchbolt when door is closed.			
L9056		L9050 with Simultaneous Retraction	17	44	L283-126
		Latchbolt retracted by knob/lever from either side unless outside is made inoperative by key outside or by inside thumbturn. When outside is locked, latchbolt is retracted by key outside or by knob/lever inside. Rotating inside knob/lever simultaneously retracts latchbolt and unlocks outside knob/lever. Auxiliary latch deadlocks latchbolt when door is closed. (Previously XL11-776)			
L9060	F09	Apartment Entrance Lock	18	43	L283-133
		Latchbolt retracted by knob/lever from either side unless outside is locked by key from inside. When locked, latchbolt is retracted by key outside or knob/lever inside. Auxiliary latch deadlocks when door is closed.			
L9070	F05	Classroom Lock	19	43	L283-133
		Latchbolt retracted by knob/lever from either side unless outside is locked by key. Unlocked from outside by key. Inside knob/lever always free for immediate exit. Auxiliary latch deadlocks latchbolt when door is closed.			
L9071		Classroom Security Lock	18	43	L283-133
		Latchbolt retracted by knob/lever from either side unless outside is locked by key from either side. When locked, latchbolt retracted by key outside or knob/lever inside. Inside lever always free for immediate exit. Auxiliary latch deadlocks latchbolt when door is closed.			
L9076	F06	Classroom Holdback Lock *	19	45	L283-039
		Latchbolt retracted by knob/lever from either side unless outside is locked by key from outside. Inside lever always free for immediate exit. Auxiliary latch deadlocks latchbolt when door is closed. Latchbolt may be held back in retracted position by key.			

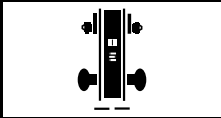
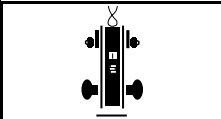
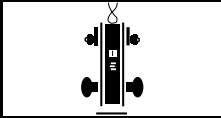
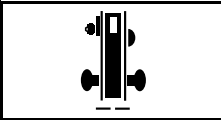
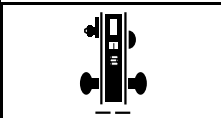
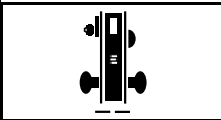
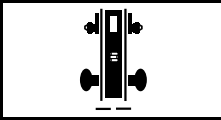
* Locks with holdback feature are not UL listed. Installation should be in accordance with existing codes only.

Lock Assembly Drawing Index

Functions ANSI A156.13, 1994, Series 1000	Trim Assembly Page Number	Lock Case	
		Assembly Page Number	Part Number
Keyed Locks SCHLAGE ANSI L9077 	18	45	L283-039
Classroom Security Holdback Lock* Latchbolt retracted by knob/lever from either side unless outside is locked by key from either side. When locked, latchbolt retracted by key outside or knob/lever inside. Auxiliary latch deadlocks latchbolt when door is closed. Latchbolt may be held back in retracted position by key from either side.			
L9080 F07 	19	46	L283-134
Storeroom Lock Latchbolt retracted by key outside or by knob/lever inside. Outside knob/lever always inoperative. Auxiliary latch deadlocks latchbolt when door is closed.			
L9080 EL 	19	47	L283-142
Electrically Locked (Fail Safe) Outside knob/lever continuously locked by 24V AC or DC. Latchbolt retracted by key outside or by knob/lever inside. Switch or power failure allows outside knob/lever to retract latchbolt. Auxiliary latch deadlocks latchbolt when door is closed. Inside knob/lever always free for immediate exit.			
L9080 EU 	19	48	L283-143
Electrically Unlocked (Fail Secure) Outside knob/lever unlocked by 24V AC or DC. Latchbolt retracted by key outside or by knob/lever inside. Inside knob/lever always free for immediate exit. Auxiliary latch deadlocks latchbolt when door is closed.			
L9080EL-RX 	19	47	L283-142 per L283-059 for normally closed. L283-142 per L283-125 for normally open.
Request to Exit Electrically Locked Same as L9080 EL function. In addition, a micro switch positioned inside the lock case is activated when either inside or outside knob/lever is rotated. The switch signals the use of that opening to security systems, allowing a non-disruptive means of immediate egress. Specify L283-059 for normally closed o L283-125 for normally open. (Previously XL11-807)			
L9080EU-RX 	19	4848	L283-143 per L283-059 for normally closed. L283-143 per L283-125 for normally open.
Request to Exit Electrically Unlocked Same as L9080 EU function. In addition, a micro switch positioned inside the lock case is activated when either inside or outside knob/lever is rotated. The switch signals the use of that opening to security systems, allowing a non-disruptive means of immediate egress. Specify L283-059 for normally closed o L283-125 for normally open. (Previously XL11-807)			

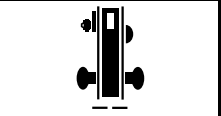
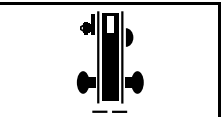
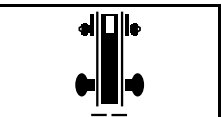
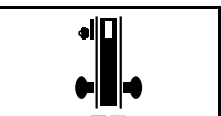
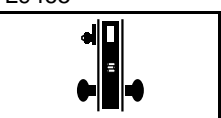
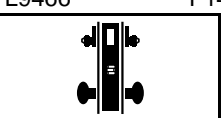
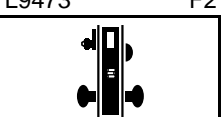
* Locks with holdback feature are not UL listed. Installation should be in accordance with existing codes only.

Lock Assembly Drawing Index

Functions ANSI A156.13, 1994, Series 1000		Trim Assembly Page Number	Lock Case	
			Assembly Page Number	Part Number
Keyed Locks SCHLAGE ANSI				
L9082 	Institution Lock* Latchbolt retracted by key either side. Knob/lever on both sides always inoperative. Auxiliary latch deadlocks latchbolt when door is closed.	18	49	L283-146
L9082EL 	Electrically Locked (fail safe) Both Sides Outside and inside knob/lever continually locked electrically. Latchbolt retracted by key either side. Switch or power failure allows inside and outside knob/lever to retract latchbolt. Auxiliary latch deadlocks latchbolt when door is closed. (Previously XL11-452)	20	50	L283-085
L9082EU 	Electrically Unlocked (fail secure) Both Sides* Outside and inside knob/lever unlocked electrically. Latchbolt retracted by key either side. Switch or power failure prevents inside and outside knob/lever to retract latchbolt. (Previously XL11-452)	20	51	L283-086
L9410 (disc) 	Double Dummy with Active Trim and Deadbolt (discontinued) Knob/lever both sides always active. Deadbolt thrown or retracted by key outside or thumbturn inside. Specify per XL11-742.	17	55	XL11-742
L9453 F20 	Entrance Lock Latchbolt retracted by knob/lever from either side unless outside is locked by 20° rotation of thumbturn. Deadbolt thrown or retracted by 90° rotation of thumbturn. When locked, key outside or knob/lever inside retracts deadbolt and latchbolt simultaneously. Outside knob/lever remains locked until thumbturn is restored to vertical position. Throwing deadbolt automatically locks outside knob/lever. Auxiliary latch deadlocks latchbolt when door is closed.	17	57	L283-137
L9456 F13 	Corridor Lock Latchbolt retracted by knob/lever from either side. Deadbolt thrown or retracted by key outside or inside thumbturn. Throwing deadbolt locks outside knob/lever. Turning inside knob/lever simultaneously retracts deadbolt and latchbolt and unlocks outside knob/lever.	17	58	L283-138
L9457 	Classroom Security Lock with Deadbolt Latchbolt retracted by knob/lever from either side. Deadbolt thrown or retracted by key from either side. Throwing deadbolt locks outside knob/lever. Turning inside knob/lever simultaneously retracts deadbolt and latchbolt and unlocks outside knob/lever.	18	58	L283-138


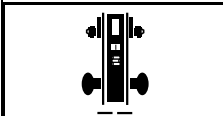
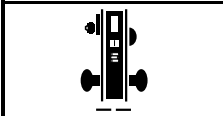
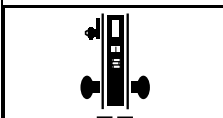

* **CAUTION:** Double cylinder locks on residences—or on any door in any structure which are used for egress—are a life safety hazard in times of emergency, and their use is not recommended. Installation should be in accordance with existing codes only.

Lock Assembly Drawing Index

Functions ANSI A156.13, 1994, Series 1000		Trim Assembly Page Number	Lock Case	
			Assembly Page Number	Part Number
Keyed Locks SCHLAGE ANSI L9460 x XL11-635 		25	60	XL11-661
Deadbolt with Fixed Dummy Trim Knob/lever inoperative both sides. Deadbolt thrown or retracted by key outside or thumbturn inside. Specify per XL11-635.				
L9460 x XL11-886 		26	61	XL11-886
Deadbolt with Retraction by Inside Knob/Lever Deadbolt thrown or retracted by key outside or thumbturn inside. Rotating inside knob/lever will retract deadbolt. Outside knob/lever is inoperative. Specify per XL11-886.				
L9462 x XL11-886 		18	61	XL11-886
Double Cylinder Deadbolt with Retraction by Inside Knob/Lever Deadbolt thrown or retracted by key either side. Rotating inside knob/lever will retract deadbolt. Outside knob/lever is inoperative. Specify per XL11-886.				
L9464 x XL11-886 		19	61	XL11-886
Single Cylinder Deadbolt with Retraction by Inside Knob/Lever Deadbolt thrown or retracted by key from one side. Rotating inside knob/lever will retract deadbolt. Outside knob/lever is inoperative. Specify per XL11-886.				
L9465 		19	62	L283-140
Closet/Storeroom Lock Latchbolt retracted by knob/lever from either side. Deadbolt thrown or retracted by key outside.				
L9466 F14 		18	62	L283-140
Store/Utility Room Lock* Latchbolt retracted by knob/lever from either side. Deadbolt extended or retracted by key from either side.				
L9473 F21 		17	62	L283-140
Dormitory/Bedroom Lock Latchbolt retracted by knob/lever from either side. Deadbolt thrown or retracted by key outside or thumbturn inside.				



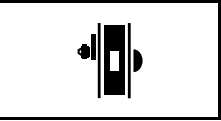
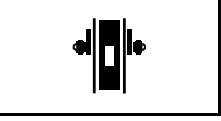
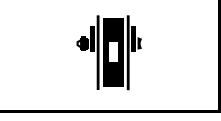
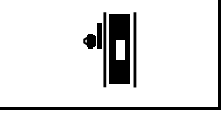
* CAUTION: Double cylinder locks on residences—or on any door in any structure which are used for egress—are a life safety hazard in times of emergency, and their use is not recommended. Installation should be in accordance with existing codes only.

Lock Assembly Drawing Index

Functions ANSI A156.13, 1994, Series 1000	Trim Assembly Page Number	Lock Case	
		Assembly Page Number	Part Number
Keyed Locks SCHLAGE ANSI L9480 	26	63	L283-141
Storeroom Lock with Deadbolt Latchbolt retracted by key outside or by knob/lever inside. Outside knob/lever always inoperative. Deadbolt thrown or retracted by key outside or thumbturn inside. Turning inside knob/lever simultaneously retracts both deadbolt and latchbolt. Auxiliary latch deadlocks latchbolt when door is closed. (Previously XL11-591).			
L9482 x XL11-543 	27	64	XL11-543
Institution Lock with Deadbolt * Latchbolt retracted by key from either side. Knob/lever on both sides always inoperative. Deadbolt thrown or retracted by key either side. Auxiliary latch deadlocks latchbolt when door is closed. Specify per XL11-543.			
L9485 	26	63	L283-141
Hotel Lock Latchbolt retracted by key outside or by knob/lever inside. Outside knob/lever always fixed. Deadbolt thrown or retracted by inside thumbturn. When deadbolt is thrown, all keys become inoperative except emergency keys. Turning inside knob/lever simultaneously retracts both deadbolt and latchbolt. Auxiliary latch deadlocks latchbolt when door is closed.			
L9485 x XL11-557 	28	65	XL11-557
Prison Lock Latchbolt retracted by key outside or by knob inside. Outside knob always free spinning. Inside knob is inoperative when deadbolt is thrown. Deadbolt thrown or retracted by guard's key. Prisoner's key only retracts latchbolt. Furnished with Torx screws. No longer available with the XPO prison knob. Specify per XL11-557.			
L9486 F15 	29	63	L283-141
Hotel Lock with DND Indicator Latchbolt retracted by key outside or by knob/lever inside. Outside knob/lever always fixed. Deadbolt thrown or retracted by inside thumbturn. When deadbolt is thrown, "DO NOT DISTURB" plate is displayed. All keys become inoperative except emergency or display keys. Turning inside knob/lever simultaneously retracts both deadbolt and latchbolt. Auxiliary latch deadlocks latchbolt when door is closed.			


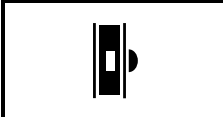
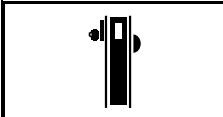
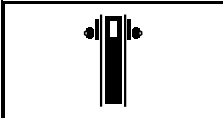
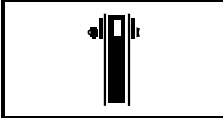

* CAUTION: Double cylinder locks on residences—or on any door in any structure which are used for egress—are a life safety hazard in times of emergency, and their use is not recommended. Installation should be in accordance with existing codes only.

Lock Assembly Drawing Index

Functions ANSI A156.13, 1994, Series 1000	Trim Assembly Page Number	Lock Case	
		Assembly Page Number	Part Number
Keyed Locks SCHLAGE ANSI L9486 x L583-375 	29	63	L283-141
Hotel Lock with "Occupied" Indicator Latchbolt retracted by key outside or by knob/lever inside. Outside knob/lever always inoperative. Deadbolt thrown or retracted by inside thumbturn. When deadbolt is thrown, "Occupied" plate is displayed and all keys become inoperative except emergency key. Rotating inside knob/lever simultaneously retracts both deadbolt and latchbolt. Auxiliary latch deadlocks latchbolt when door is closed. Specify per L583-375. (Previously XL11-580)			
L9496 	29	58	L283-138
Privacy Lock with "Occupied" Indicator Latchbolt retracted by knob/lever either side. Deadbolt thrown or retracted by key outside (retraction by key required in the event of an emergency) or inside thumbturn. Throwing deadbolt locks outside knob/lever and displays "Occupied" plate. Rotating inside knob/lever simultaneously retracts both deadbolt and latchbolt and unlocks outside knob/lever. (Previously XL11-885.)			
Keyed L400-Series SCHLAGE ANSI L460 E06071 	12	40	L283-099
Cylinder by Thumbturn Lock Deadbolt thrown or retracted by key outside or thumbturn inside. Available in rose trim only.			
L462 E06061 	12	40	L283-099
Double Cylinder Lock* Deadbolt thrown or retracted by key either side. Available in rose trim only.			
L463 E06091 	12	40	L283-099
Classroom Lock Deadbolt thrown or retracted by key from outside. Inside cylinder turn retracts deadbolt but cannot project it. Door hand must be specified. Available in rose trim only.			
L464 E06081 	12	40	L283-099
Cylinder Lock Deadbolt thrown or retracted by key from one side. No trim on opposite side. Available in rose trim only.			

* CAUTION: Double cylinder locks on residences—or on any door in any structure which are used for egress—are a life safety hazard in times of emergency, and their use is not recommended. Installation should be in accordance with existing codes only.

Lock Assembly Drawing Index

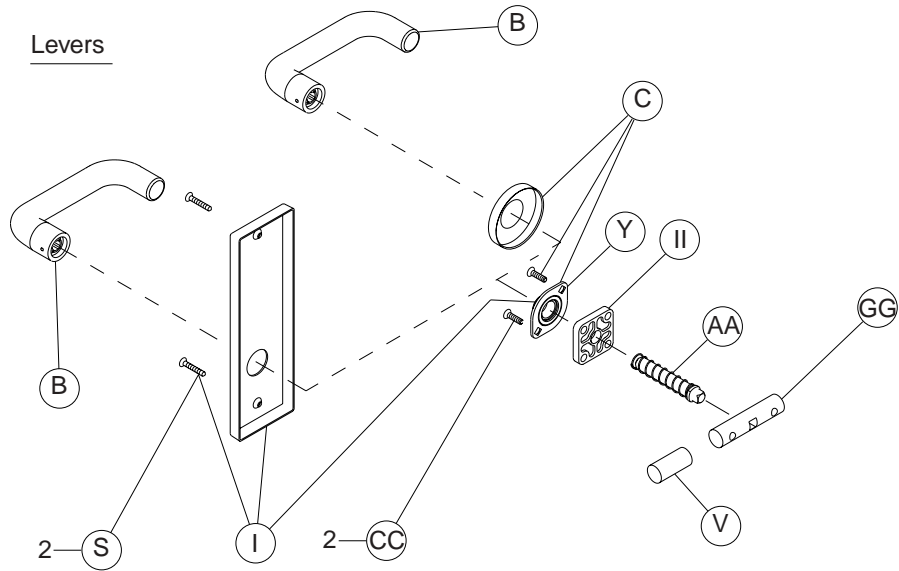
Functions ANSI A156.13, 1994, Series 1000	Trim Assembly Page Number	Lock Cas	
		Assembly Page Number	Part Number
Keyed L400-Series SCHLAGE ANSI L496 Deadbolt with "Occupied" Indicator Deadbolt thrown or retracted by key outside or thumbturn inside. Furnished with 09-611 per L583-375 indicator. When deadbolt is thrown, "occupied" plate is displayed. Available in rose trim only. (Previously XL11-911.) 	12	40	L283-099
Non-Keyed L400-Series SCHLAGE ANSI L480 F14 Storeroom Lock Deadbolt thrown or retracted by thumbturn from inside. 	12	40	L283-099
Keyed L9000-Series Deadbolts SCHLAGE ANSI L9460 F17 Cylinder by Thumbturn Lock Deadbolt thrown or retracted by key outside or thumbturn inside. 	24	59	L283-139
L9462 F16 Double Cylinder Lock* Deadbolt thrown or retracted by key either side. 	24	59	L283-139
L9463 Classroom Lock Deadbolt thrown or retracted by key outside. Inside cylinder turn retracts deadbolt but cannot project it. 	24	59	L283-139
L9464 F18 Cylinder Lock Deadbolt thrown or retracted by key from one side. No trim on opposite side. 	24	59	L283-139

* CAUTION: Double cylinder locks on residences—or on any door in any structure which are used for egress—are a life safety hazard in times of emergency, and their use is not recommended. Installation should be in accordance with existing codes only.

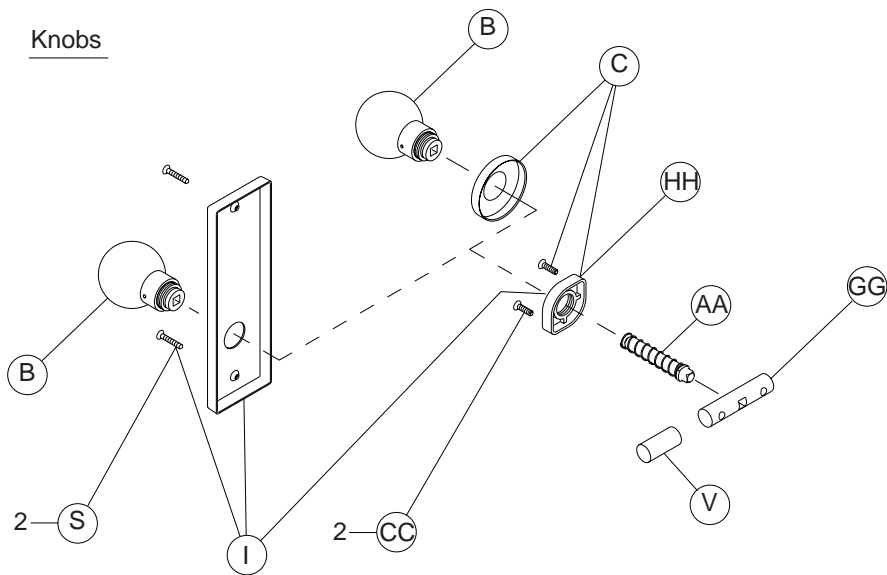
Trim Assemblies

Single Dummy Trim: L0170

Levers



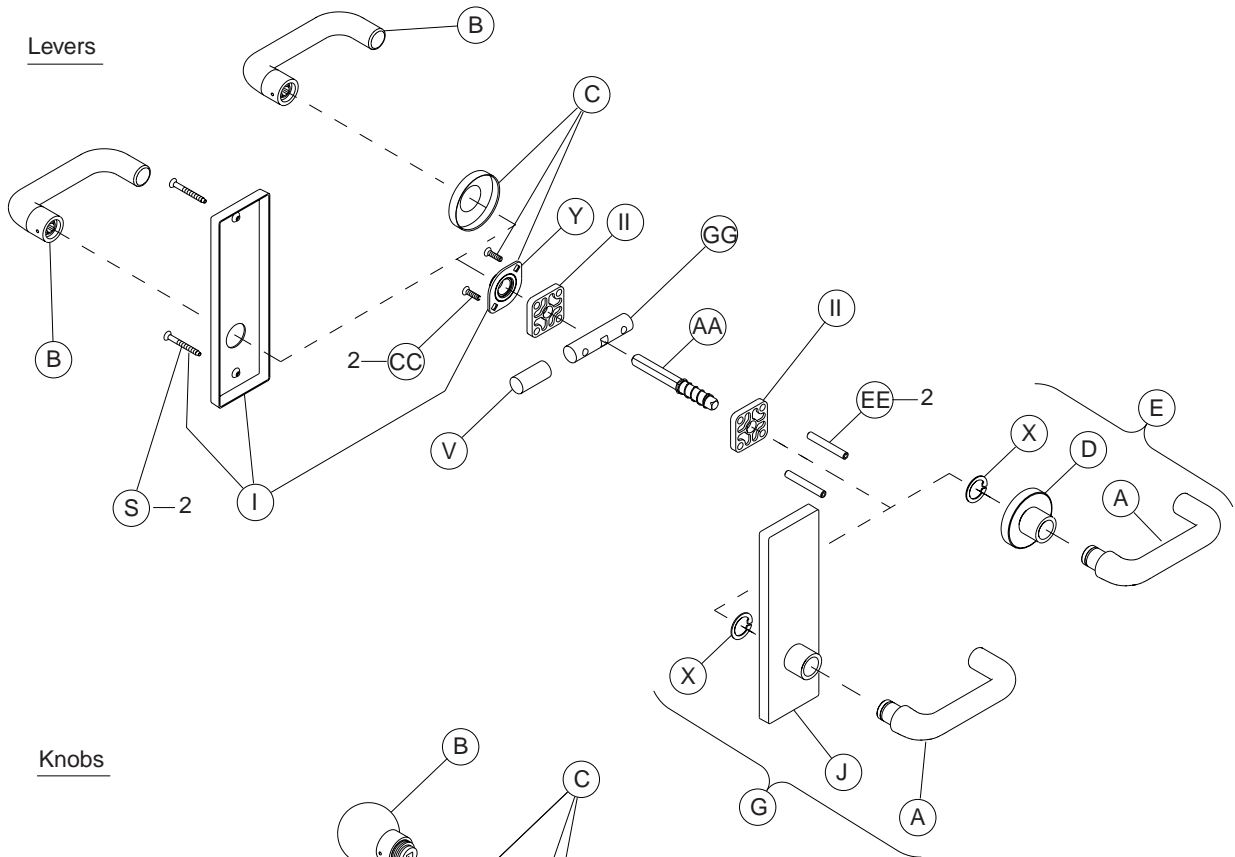
Knobs



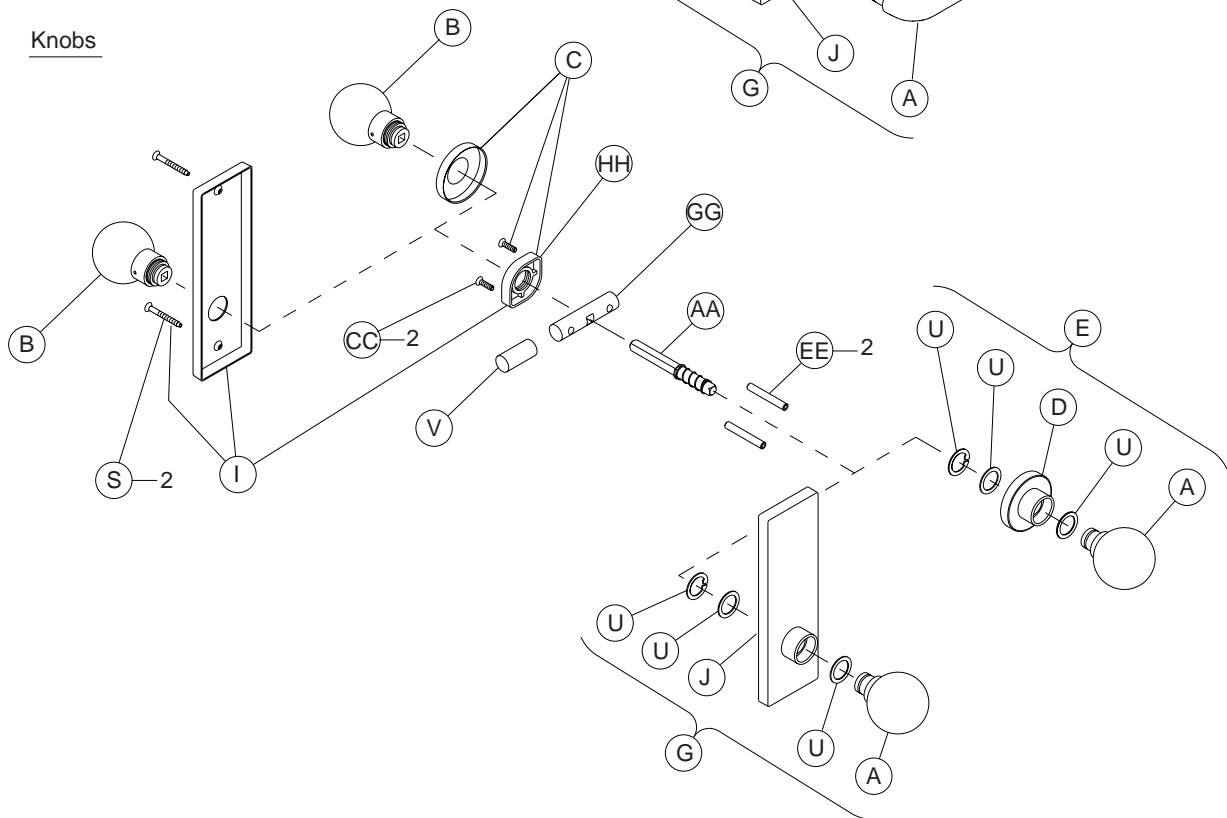
Trim Assemblies

Double Dummy Trim: L0172

Levers

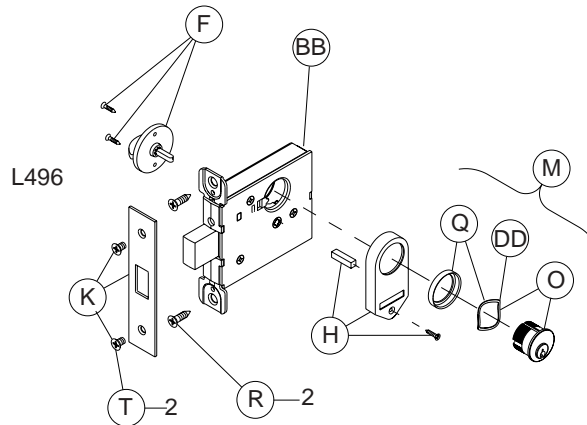
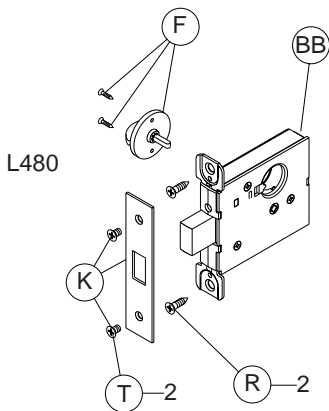
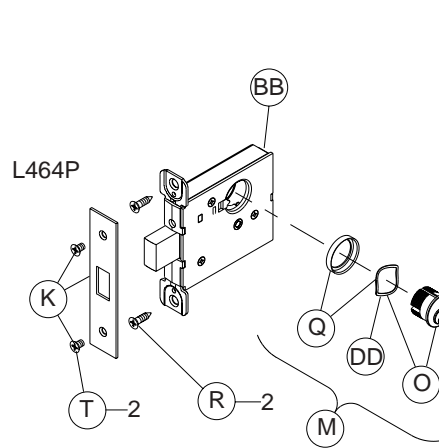
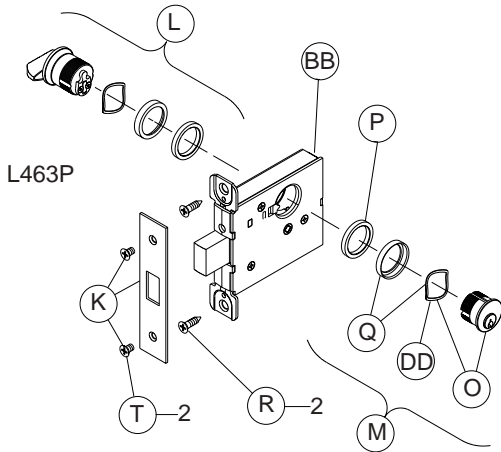
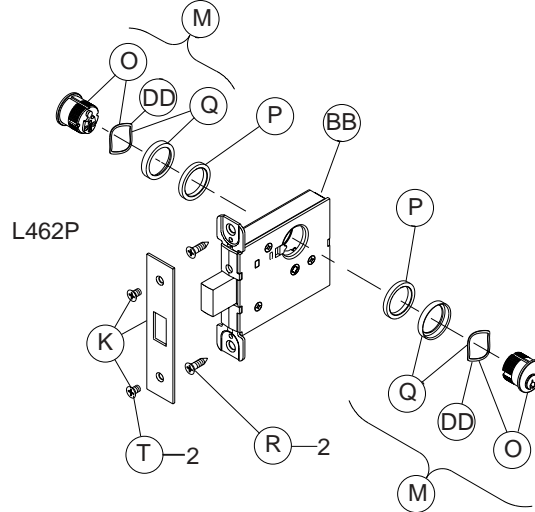
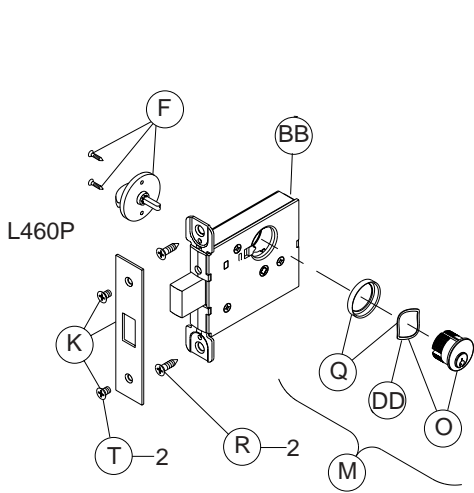


Knobs



Trim Assemblies

L400-Series Deadbolt Trim: L460, L462, L463, L464, L480, L496

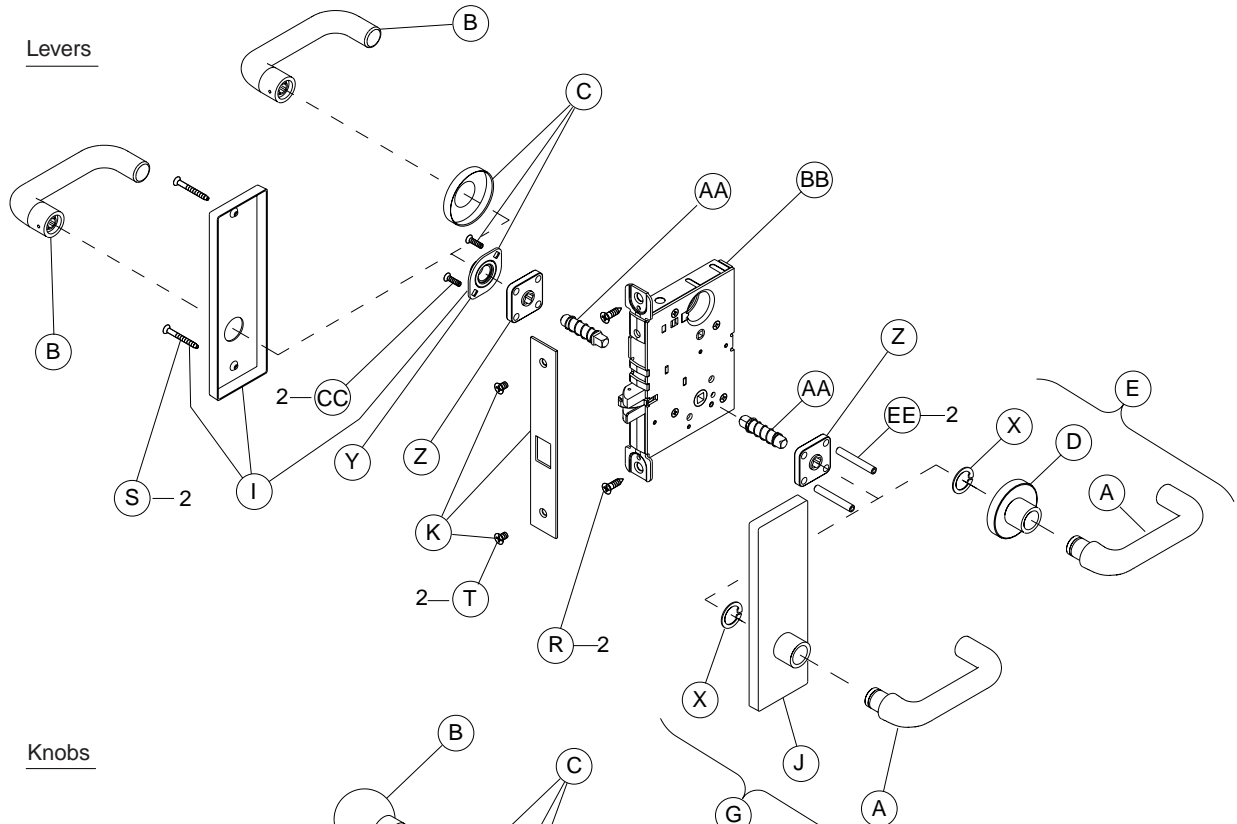


NOTE: Standard full face mortise cylinder shown.

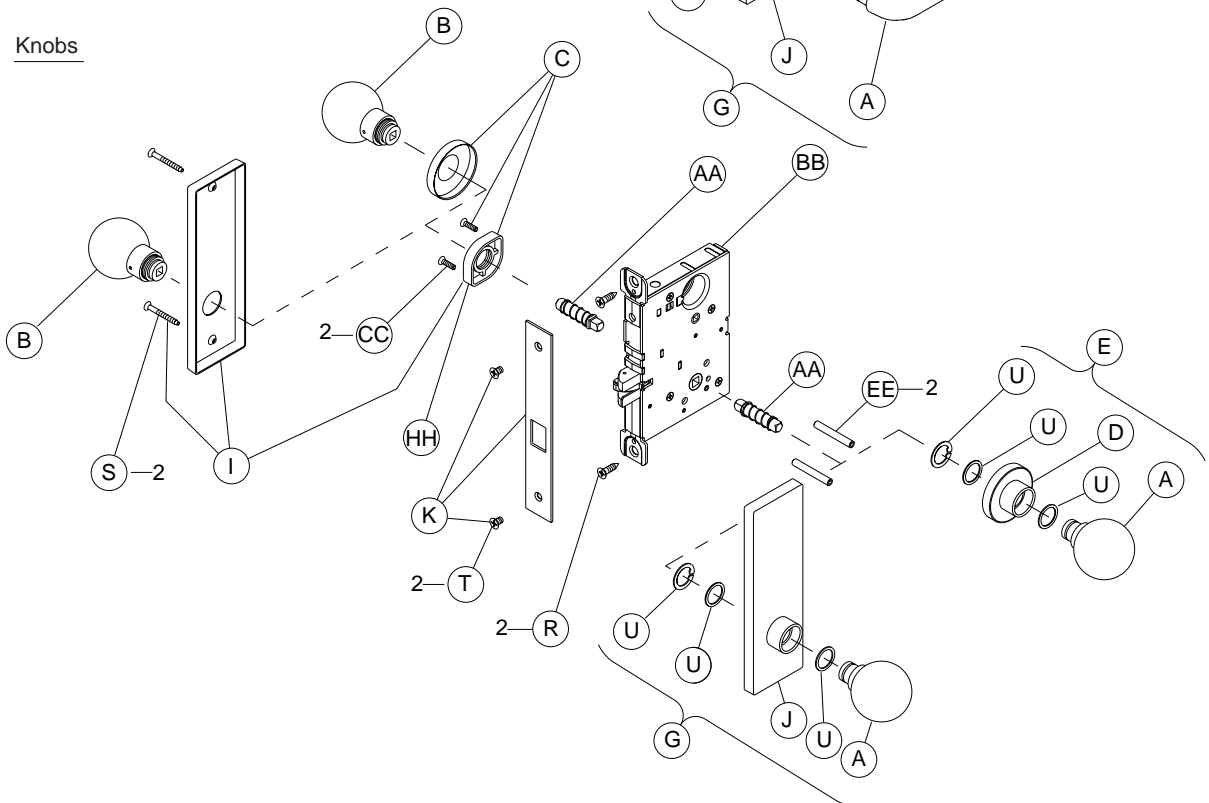
Trim Assemblies

Passage Latch Trim: L9010

Levers



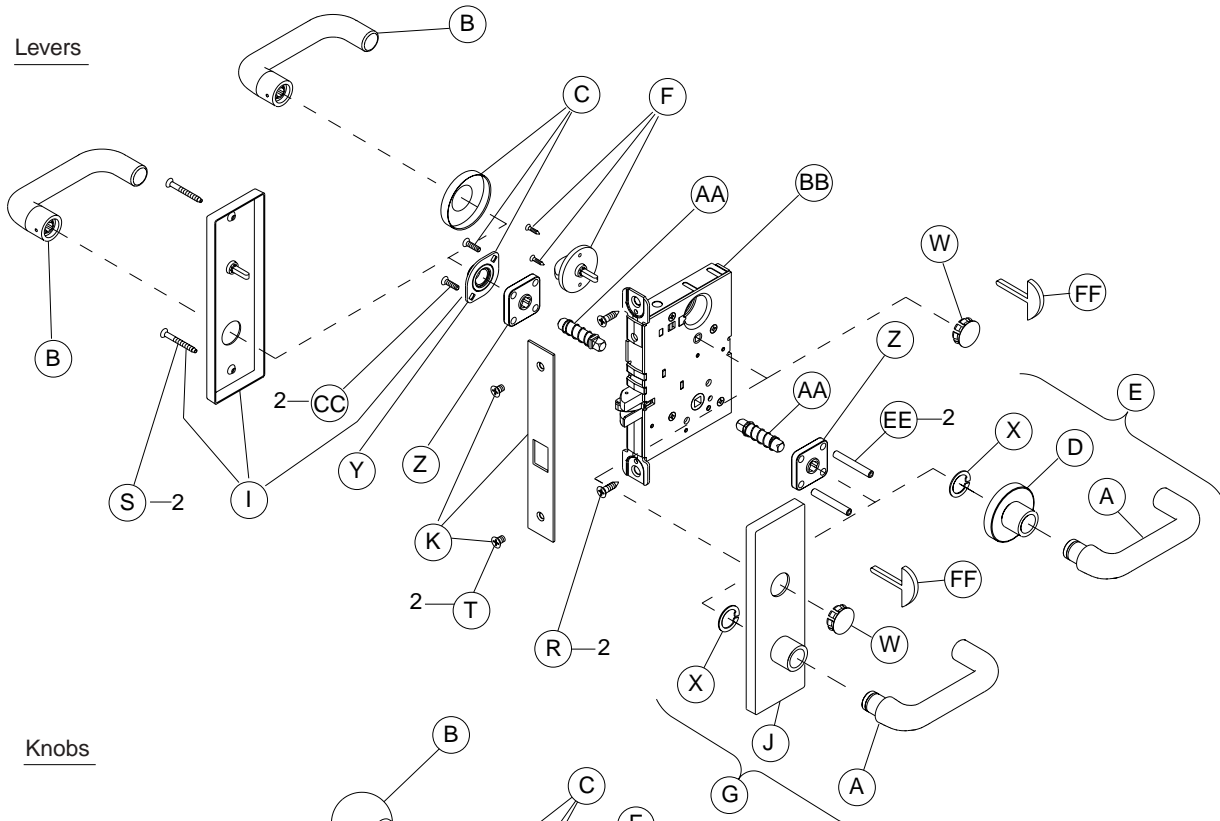
Knobs



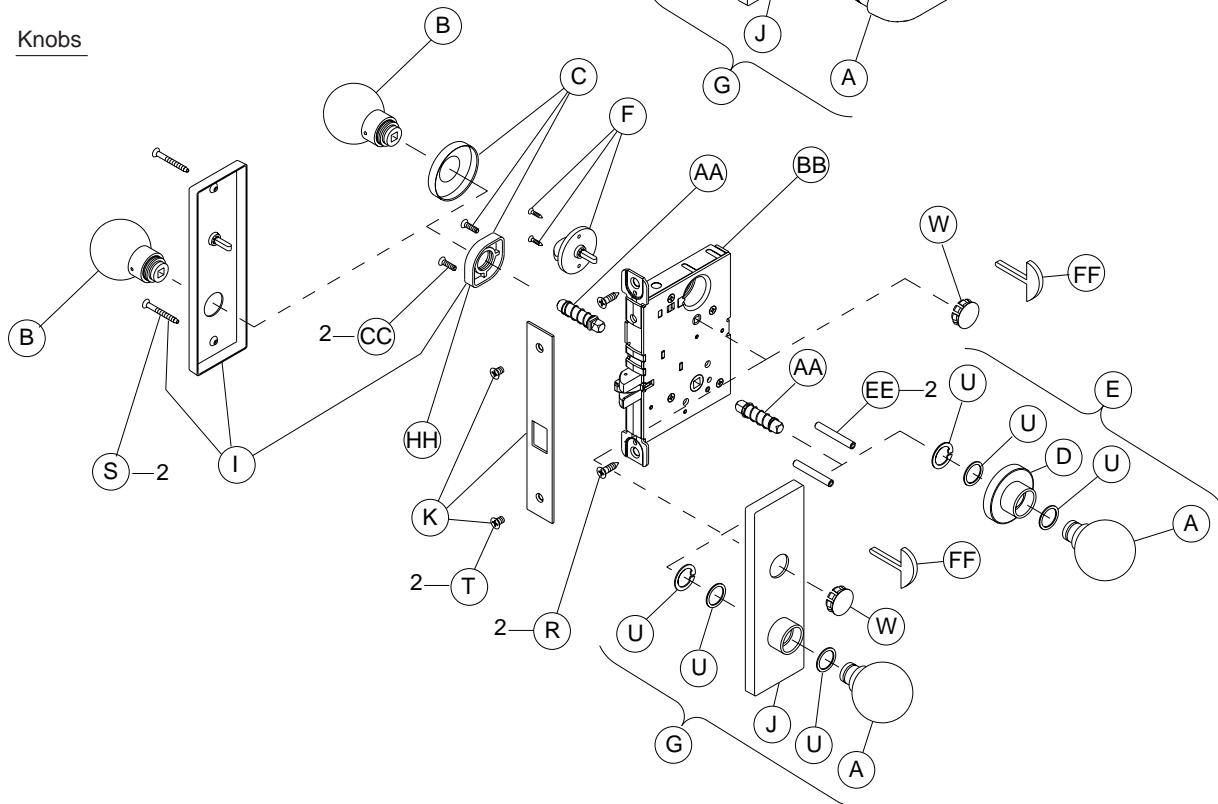
Trim Assemblies

Emergency Button x Tum Trim: L9040, L9440*

Levers



Knobs

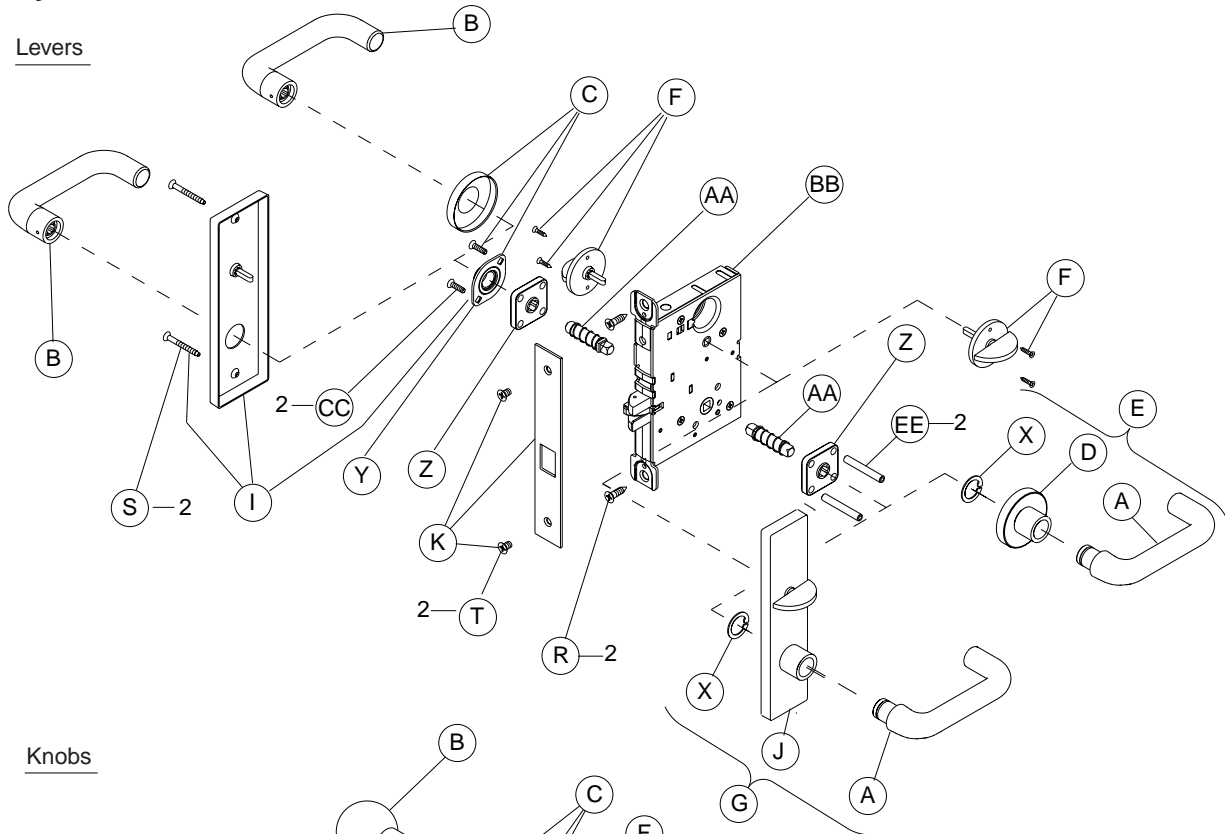


* Actual lock function has a latch and deadbolt. Lock case and armor front shown with latch only.

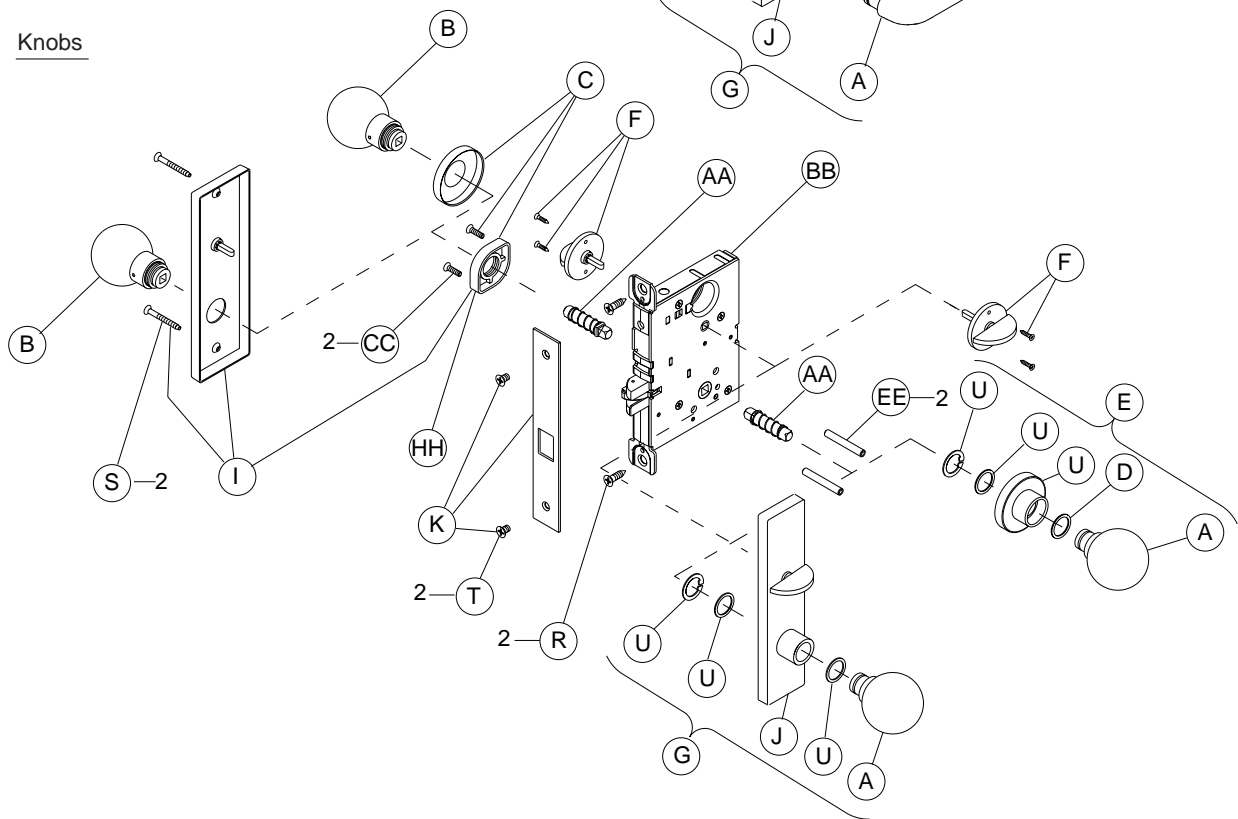
Trim Assemblies

Privacy x Turns Both Sides Trim: L9040/XL11-446

Levers



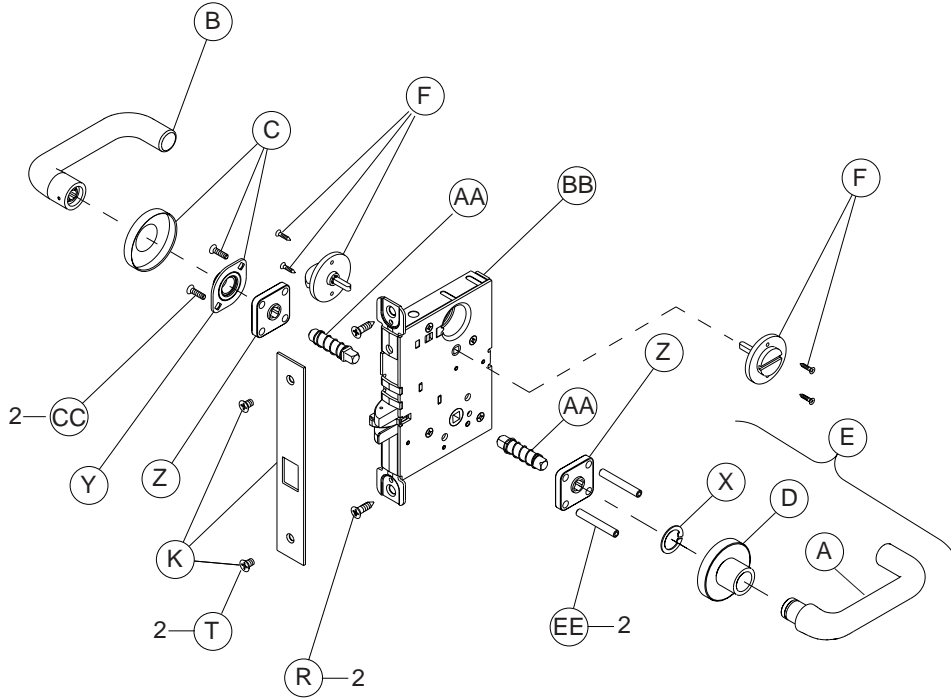
Knobs



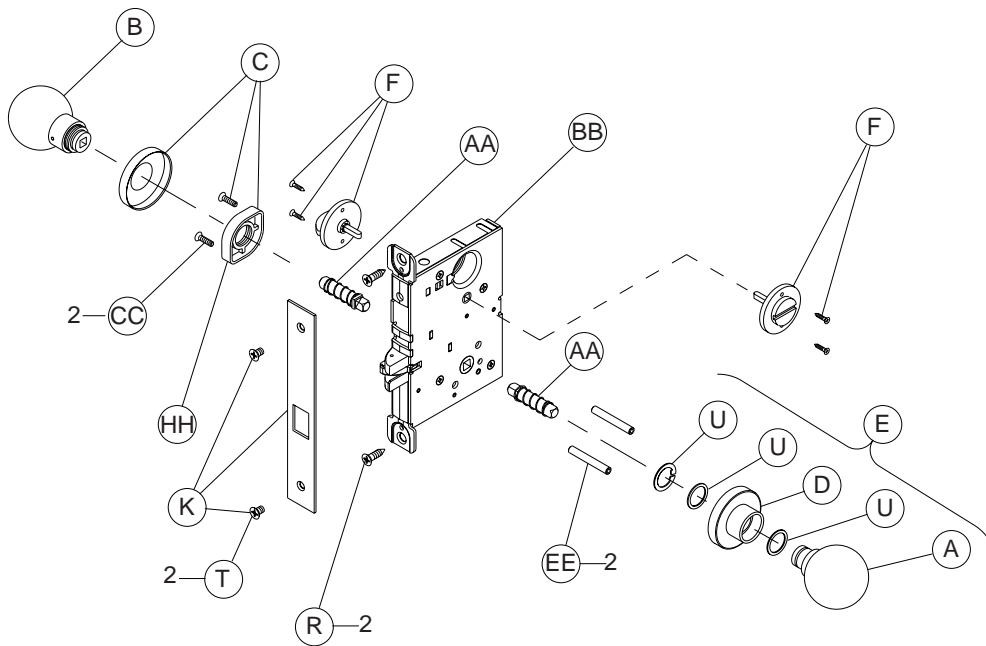
Trim Assemblies

Coin Turn Outside x Turn Trim: L9044, L9444*

Levers



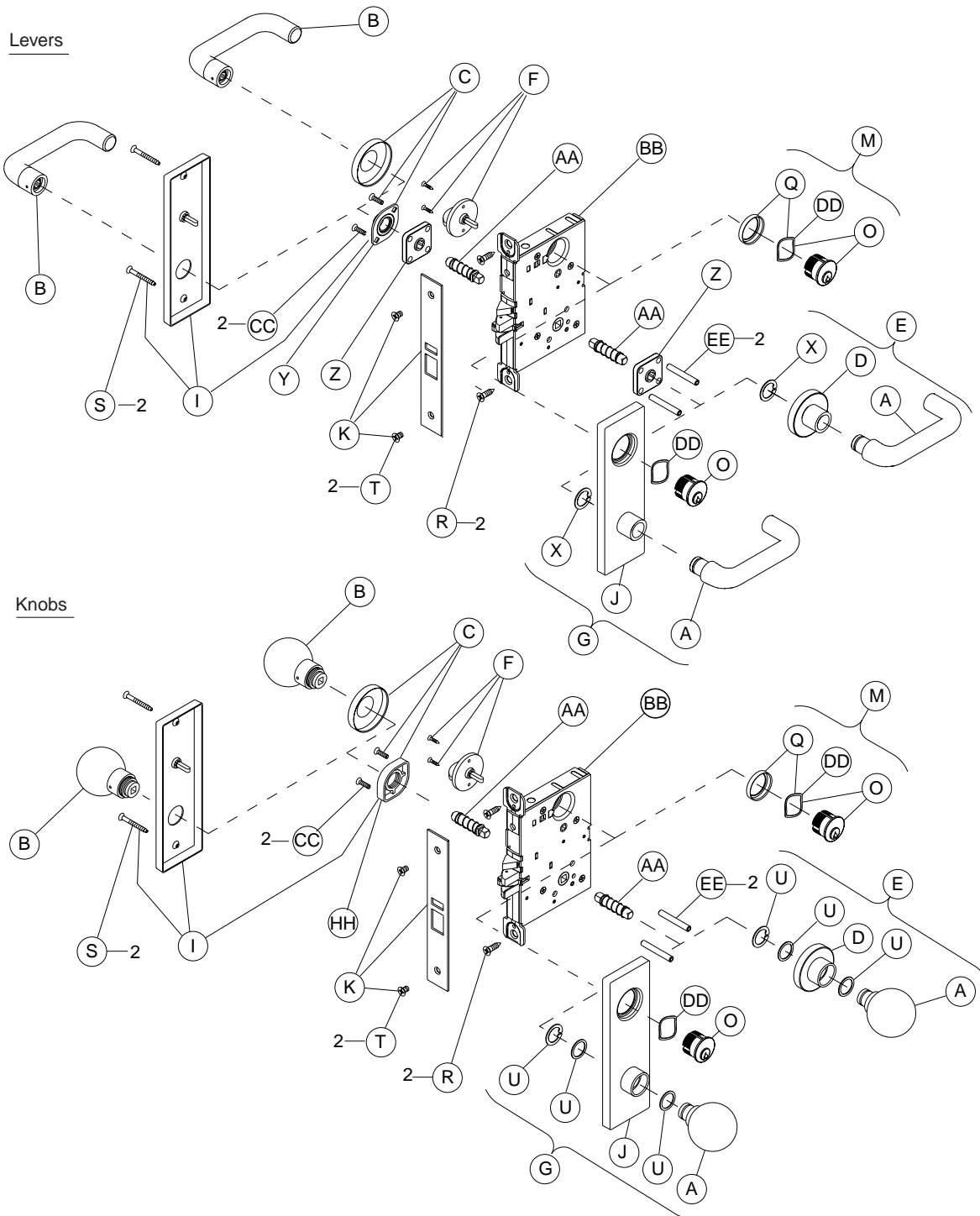
Knobs



* Actual lock function has a latch and deadbolt. Lock case and armor front shown with latch only.

Trim Assemblies

Cylinder x Turn Trim: L9050, L9056, L9410/XL11-742 (disc)***, L9453**, L9456*, L9473*

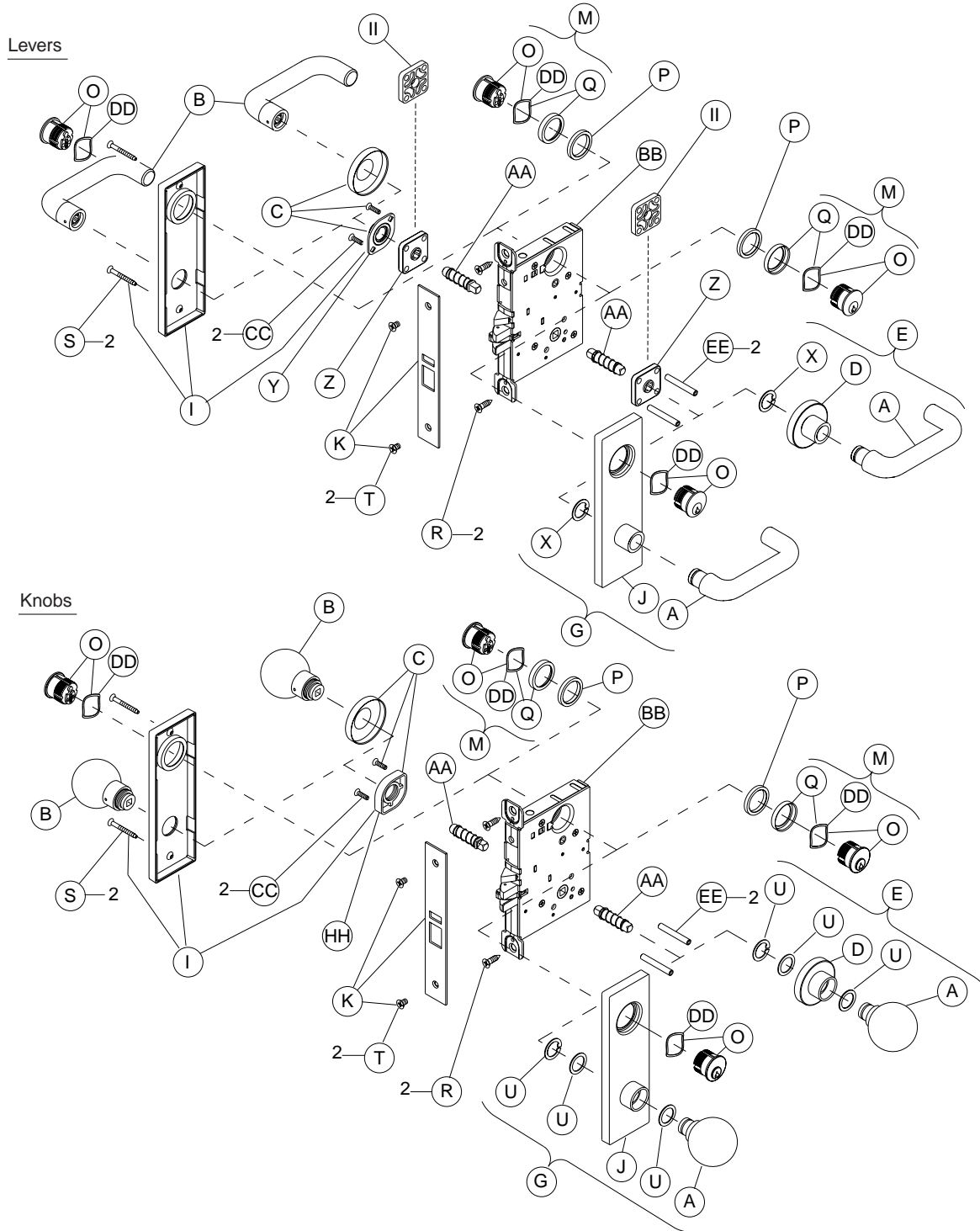


* Actual lock function has a latch and deadbolt. Lock case and armor front shown with latch and auxiliary latch.
 ** Actual lock function has a latch, auxiliary latch, and deadbolt. Lock case and armor front shown with latch and auxiliary latch only.
 *** Actual lock function has a deadbolt only. Lock case and armor front shown with latch and auxiliary latch.

NOTE: Standard full face mortise cylinder shown.

Trim Assemblies

Double Cylinder Trim: L9060, L9071, L9077, L9082, L9457*, L9462/XL11-886**, L9466*



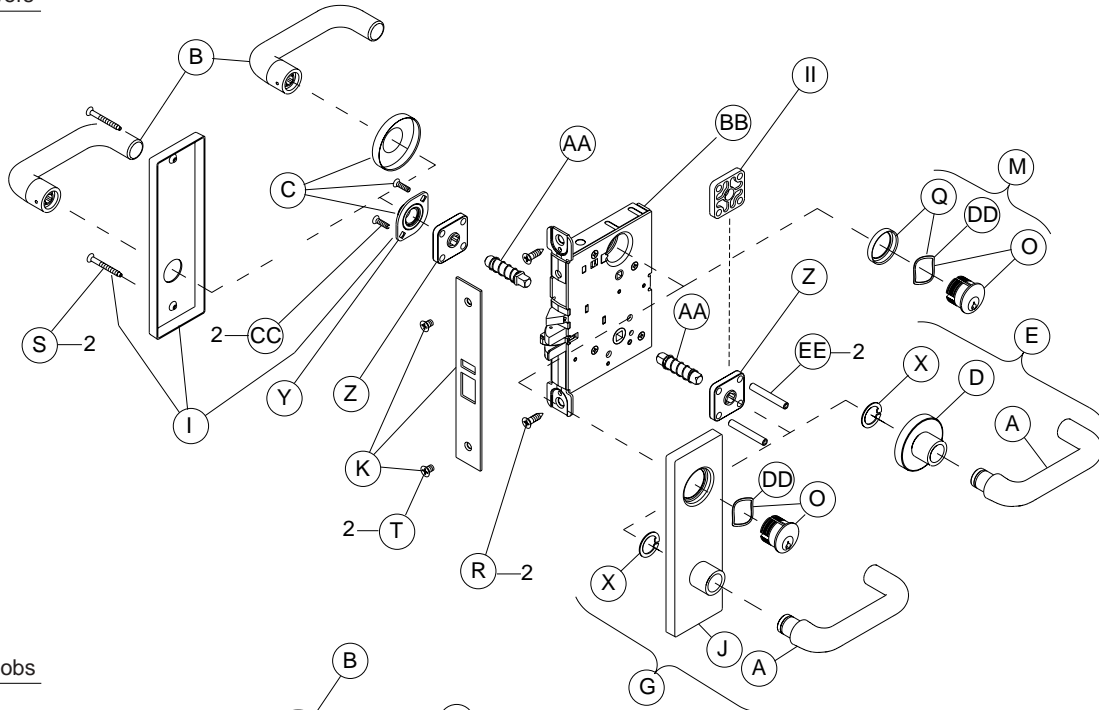
* Actual lock function has a latch and deadbolt. Lock case and armor front shown with latch and auxiliary latch.
 ** Actual lock function has a deadbolt only. Lock case and armor front shown with latch and auxiliary latch.

NOTE: Standard full face mortise cylinder shown.

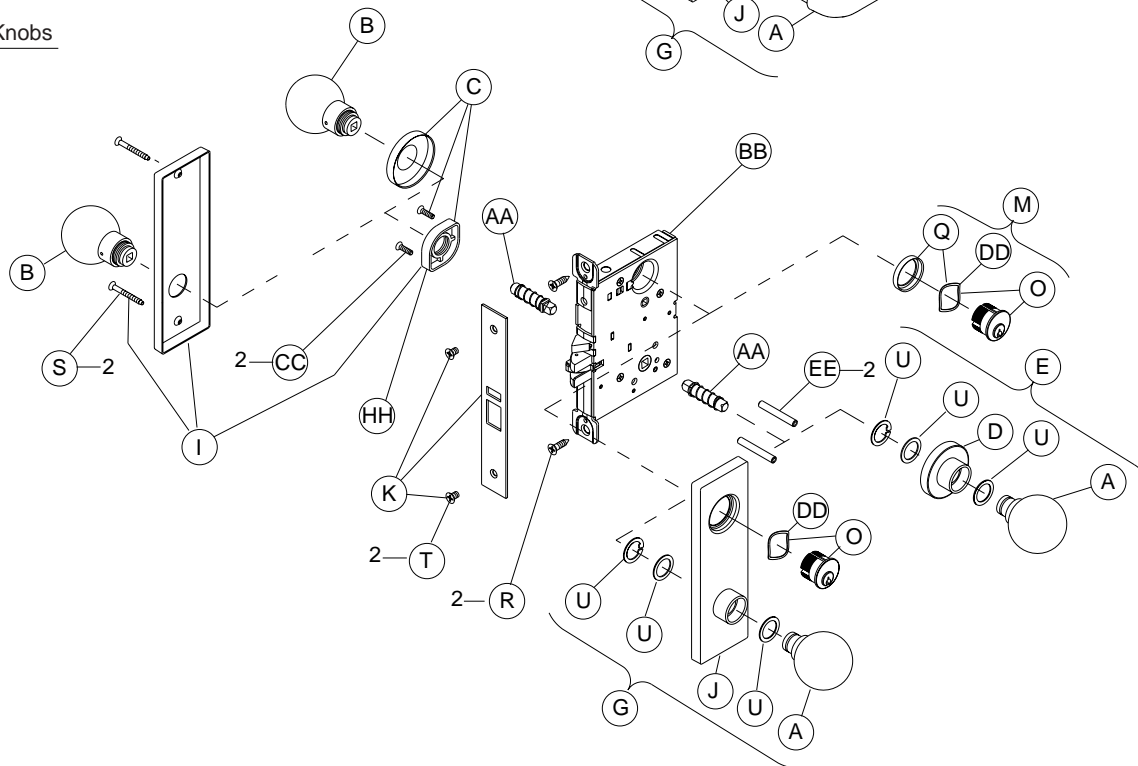
Trim Assemblies

Cylinder Outside Trim: L9070, L9076, L9080, L9080EL/EU, L9080EL/EU-RX, L9464/XL11-886**, L9465*

Levers



Knobs



* Actual lock function has a latch and deadbolt. Lock case and armor front shown with latch and auxiliary latch.

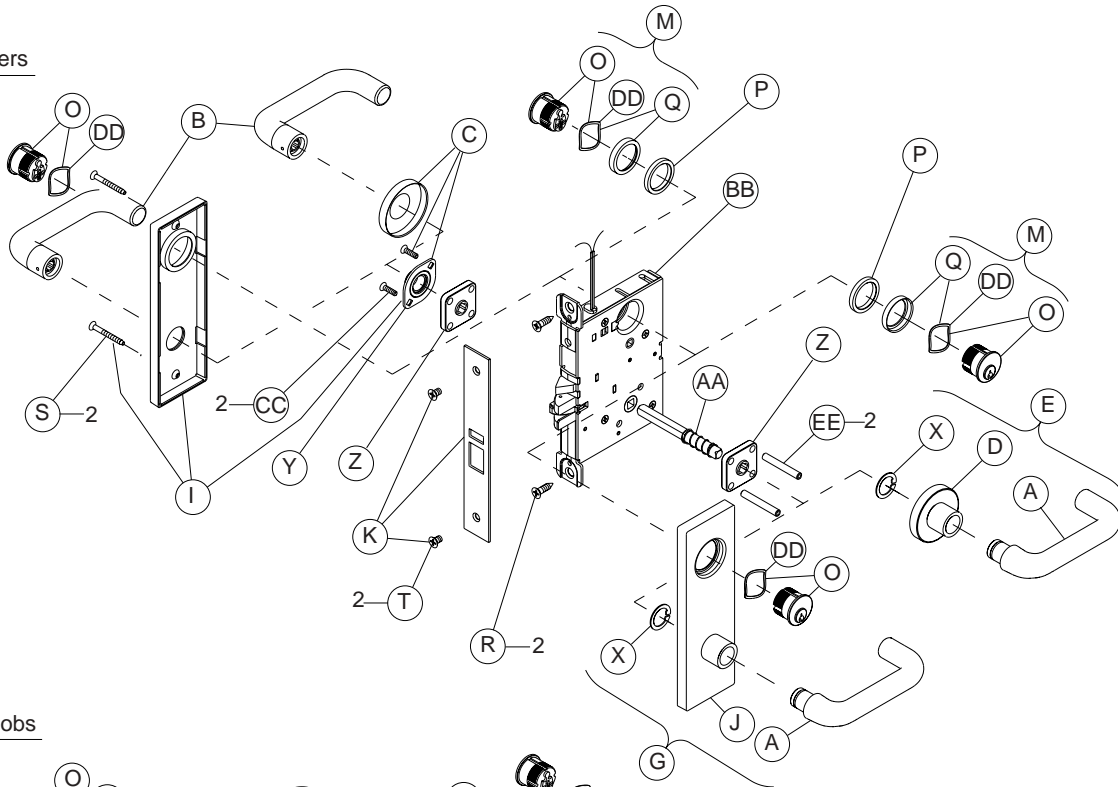
** Actual lock function has a deadbolt only. Lock case and armor front shown with latch and auxiliary latch.

NOTE: Standard full face mortise cylinder shown.

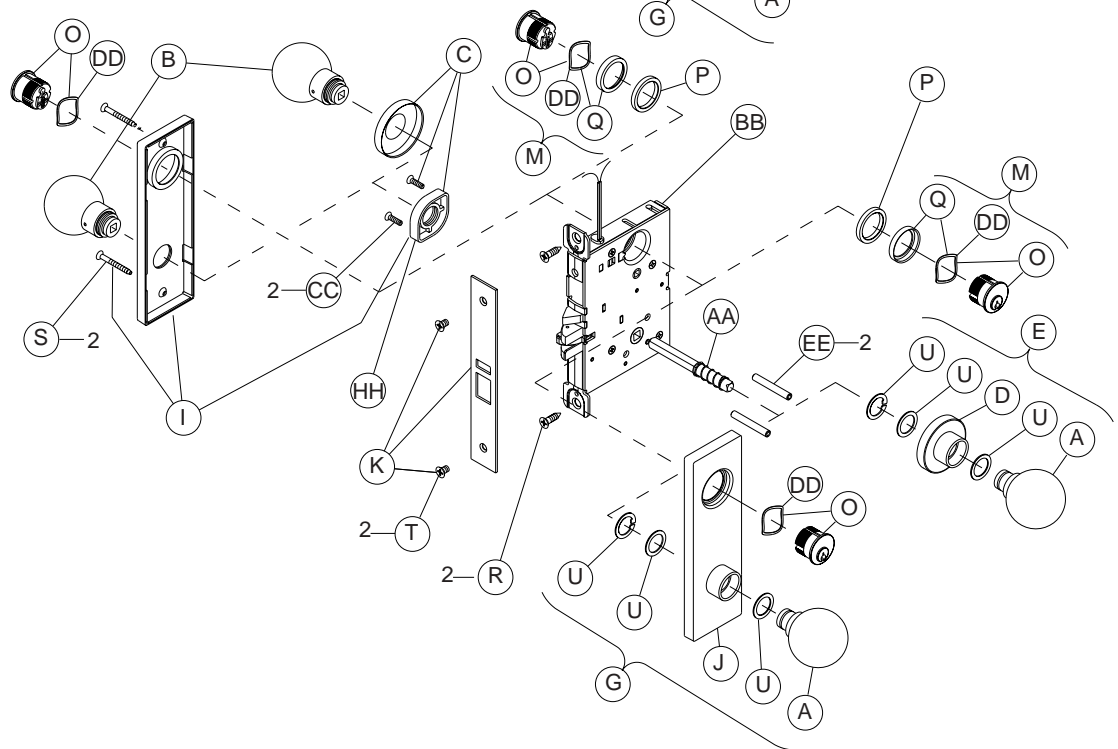
Trim Assemblies

EL/EU Locked/Unlocked Both Sides Trim: L9082EL/EU

Levers



Knobs

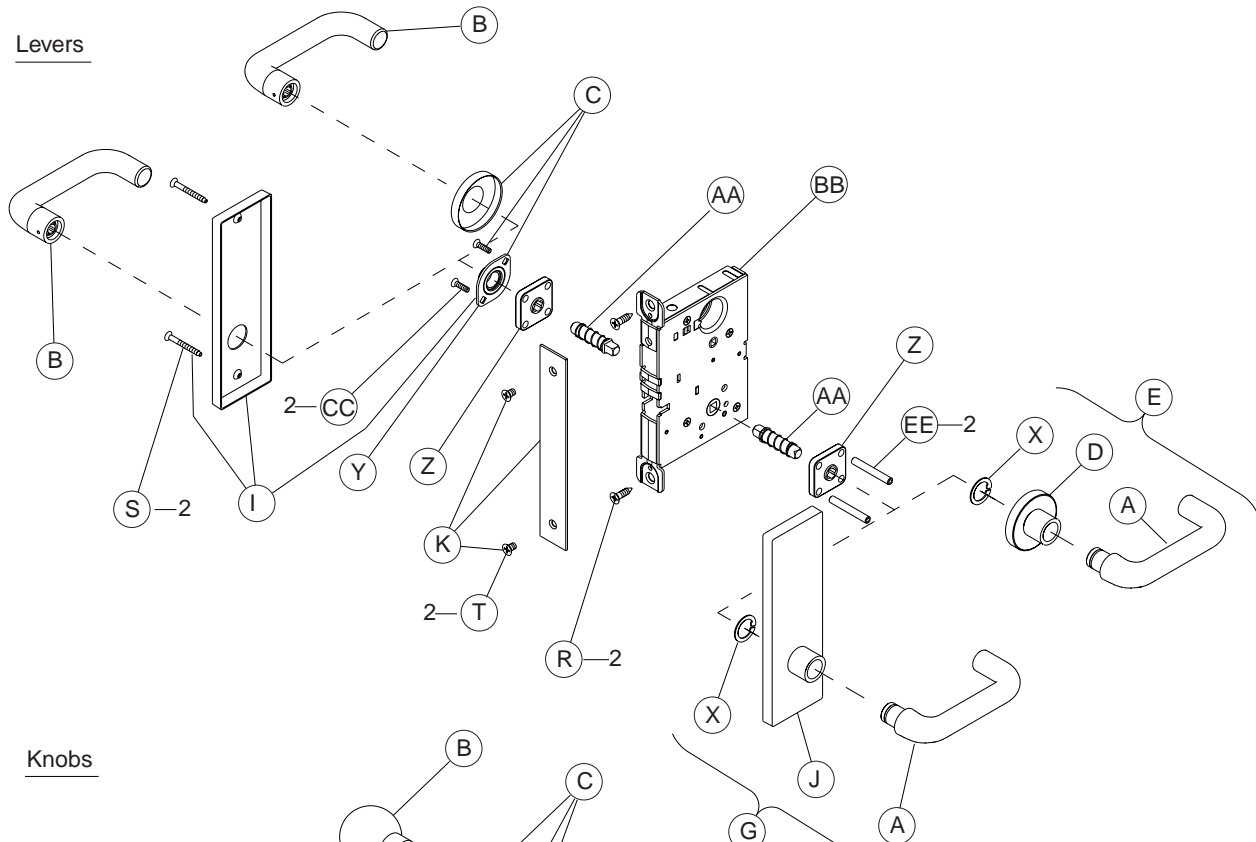


NOTE: Standard full face mortise cylinder shown.

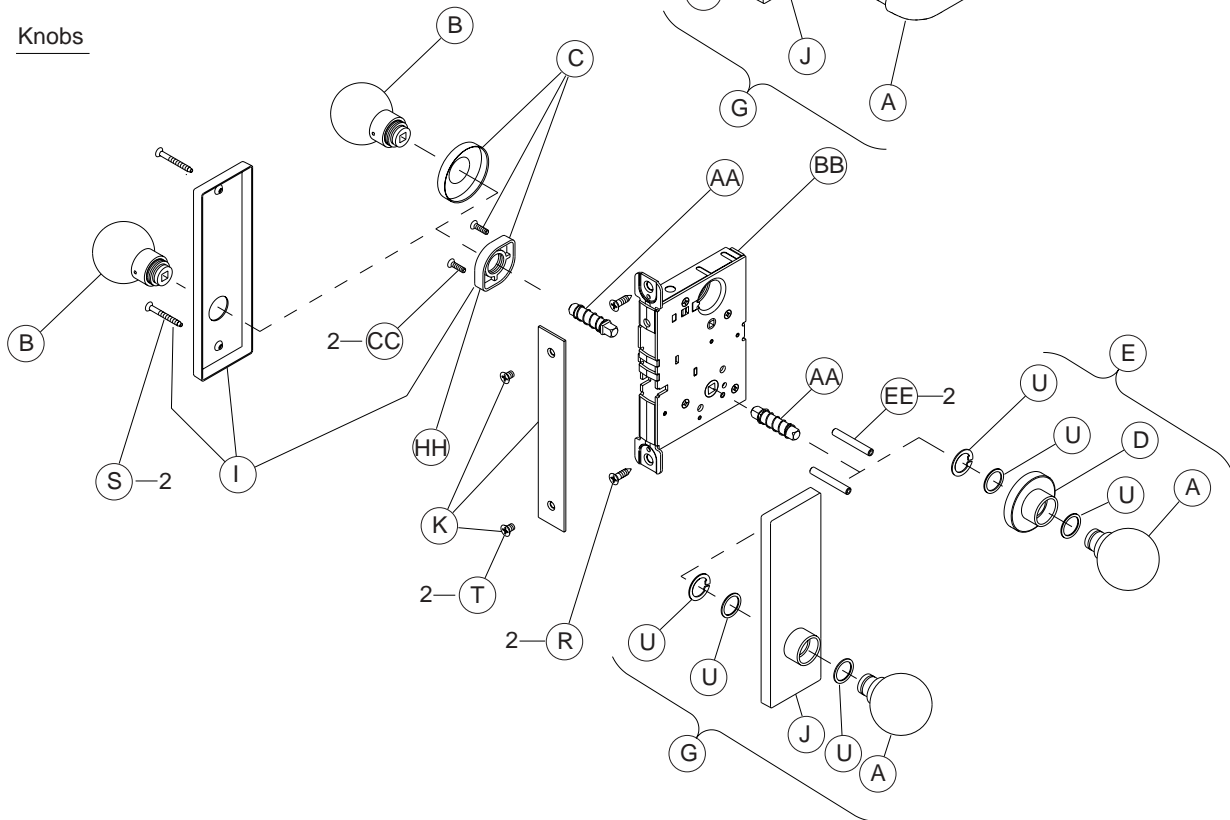
Trim Assemblies

Active Double Dummy Trim: L9110/XL11-741

Levers



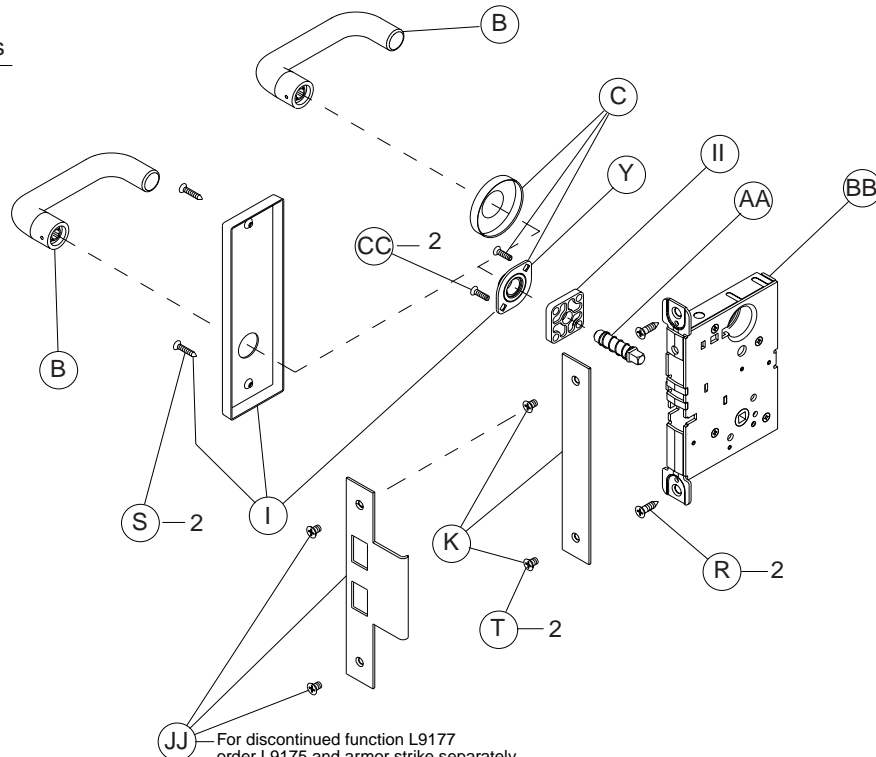
Knobs



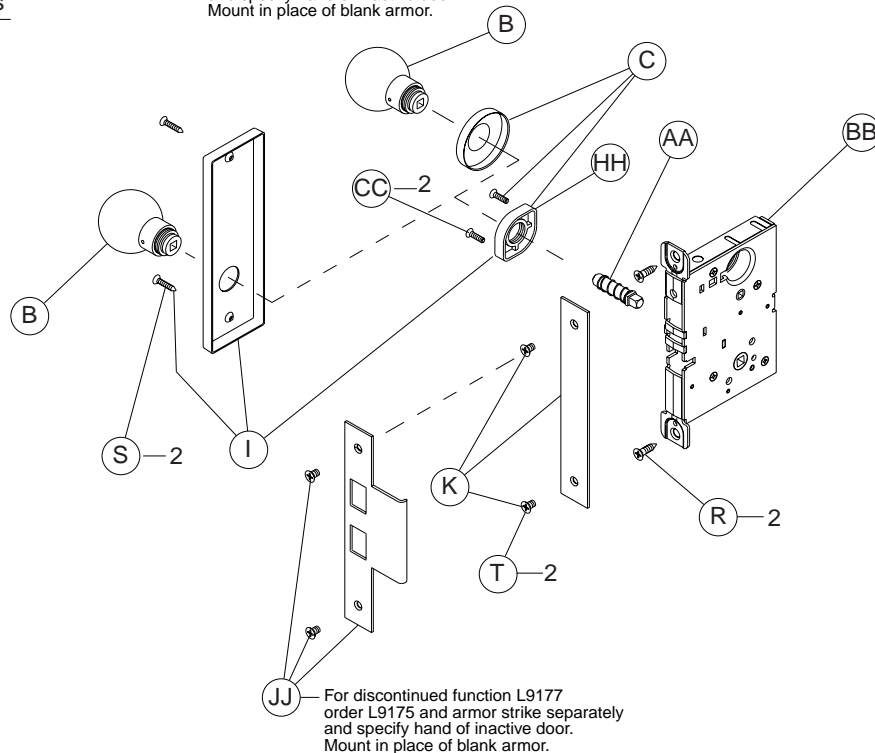
Trim Assemblies

Single Dummy with Case Trim: L9175, L9177 Discontinued

Levers



Knobs



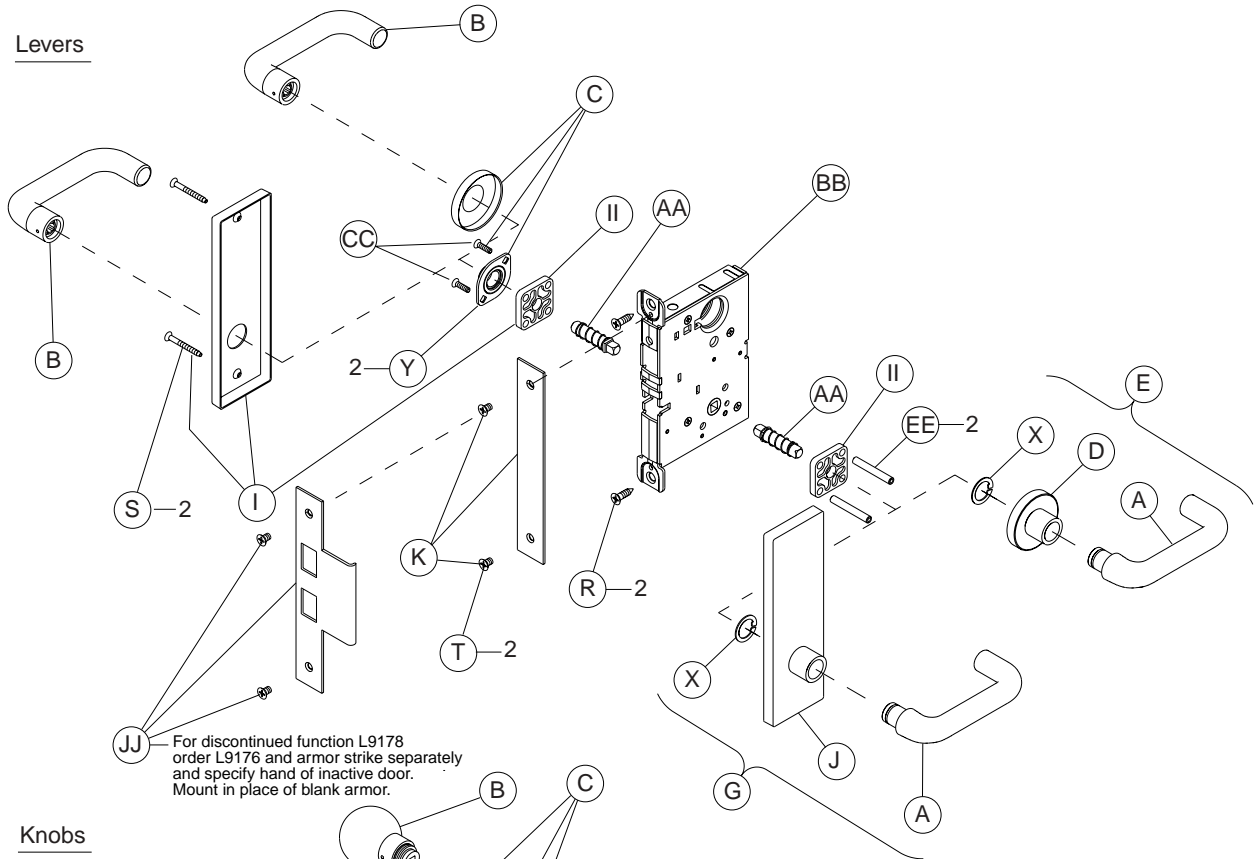
JJ For discontinued function L9177
order L9175 and armor strike separately
and specify hand of inactive door.
Mount in place of blank armor.

JJ For discontinued function L9177
order L9175 and armor strike separately
and specify hand of inactive door.
Mount in place of blank armor.

Trim Assemblies

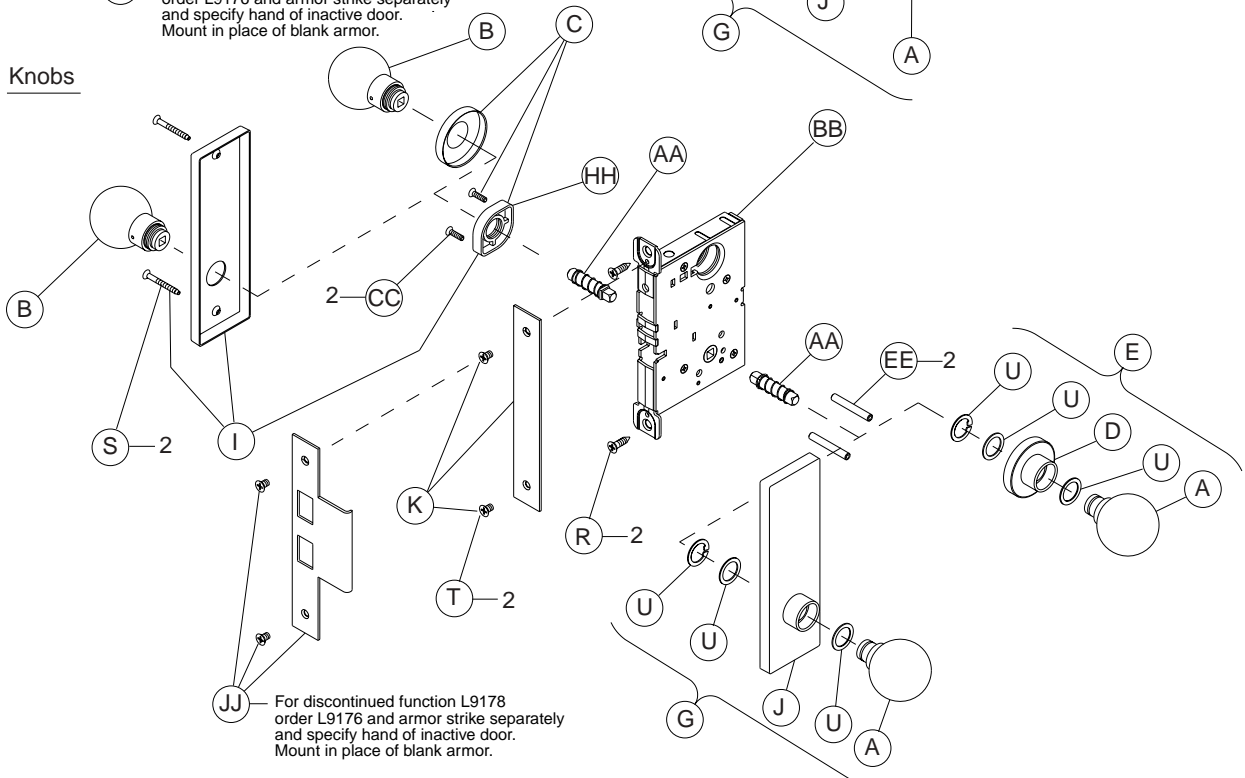
Double Dummy with Case Trim: L9176, L9178 Discontinued

Levers



JJ For discontinued function L9178 order L9176 and armor strike separately and specify hand of inactive door. Mount in place of blank armor.

Knobs

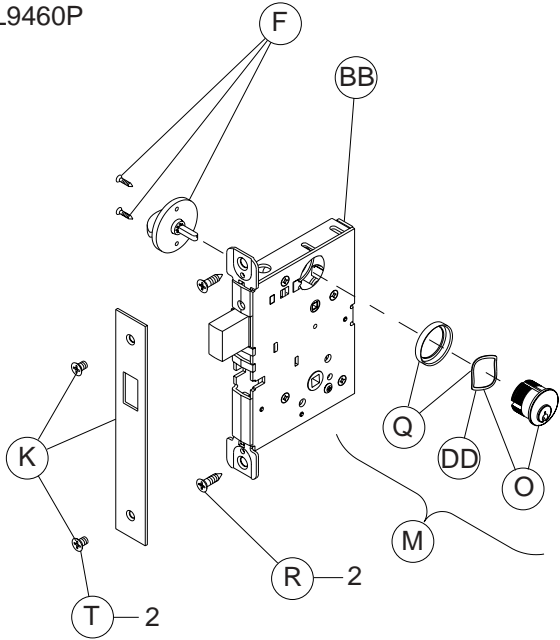


JJ For discontinued function L9178 order L9176 and armor strike separately and specify hand of inactive door. Mount in place of blank armor.

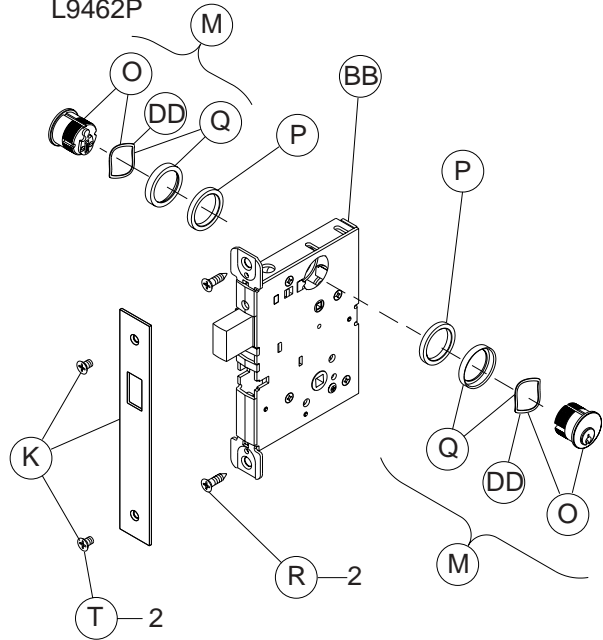
Trim Assemblies

L9000-Series Deadbolt Trim: L9460, L9462, L9463, L9464

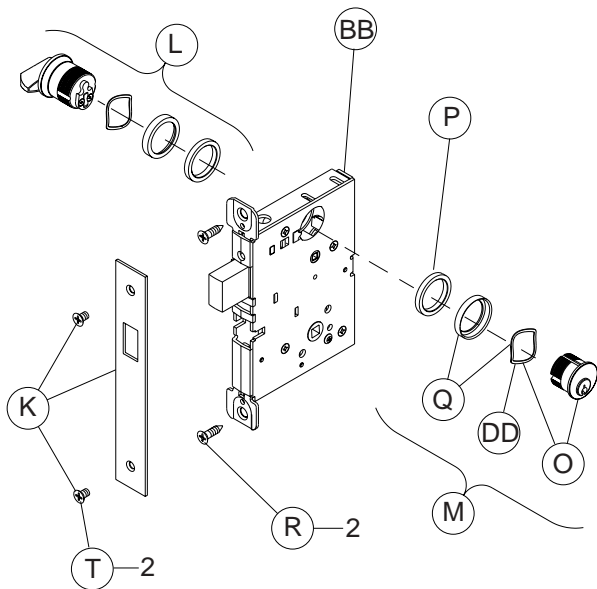
L9460P



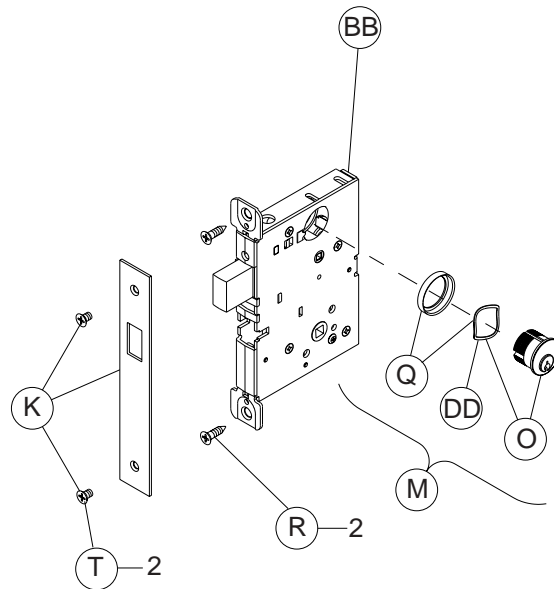
L9462P



L9463P



L9464P

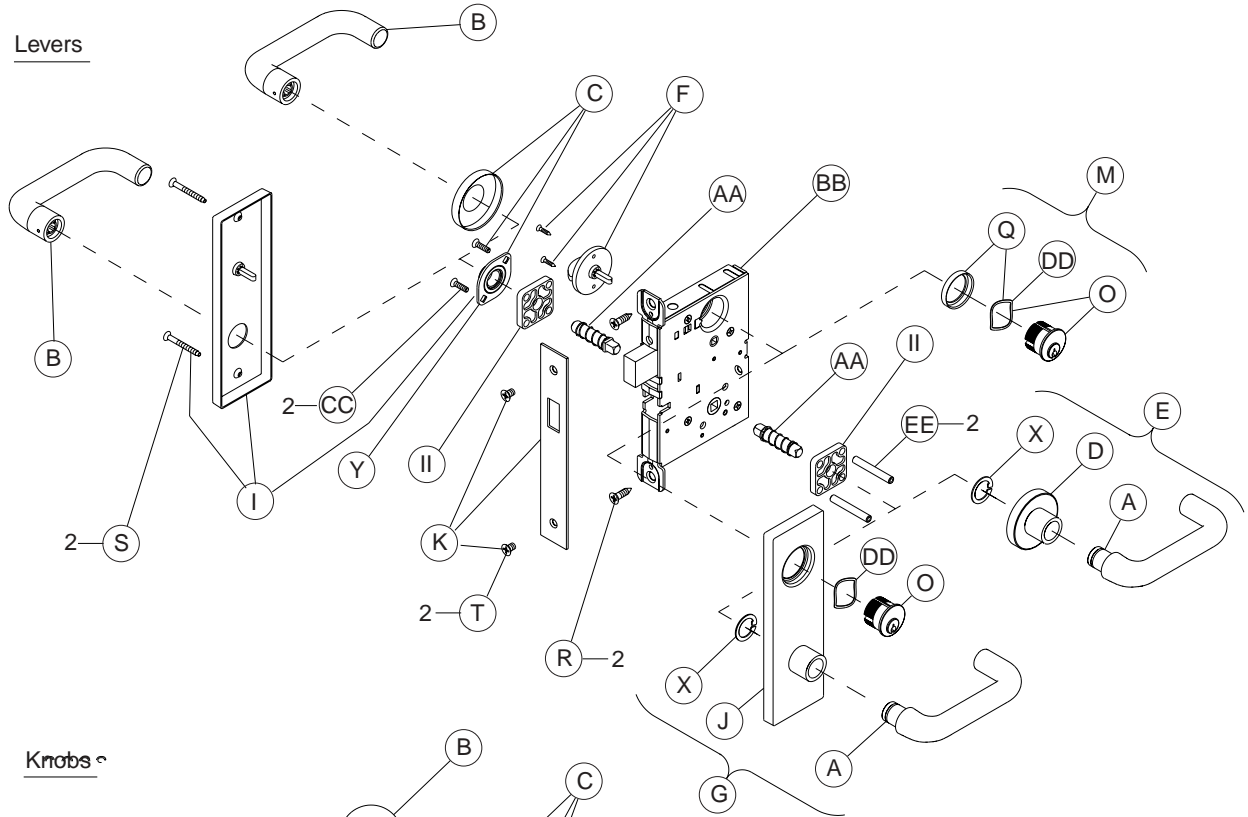


NOTE: Standard full face mortise cylinder shown.

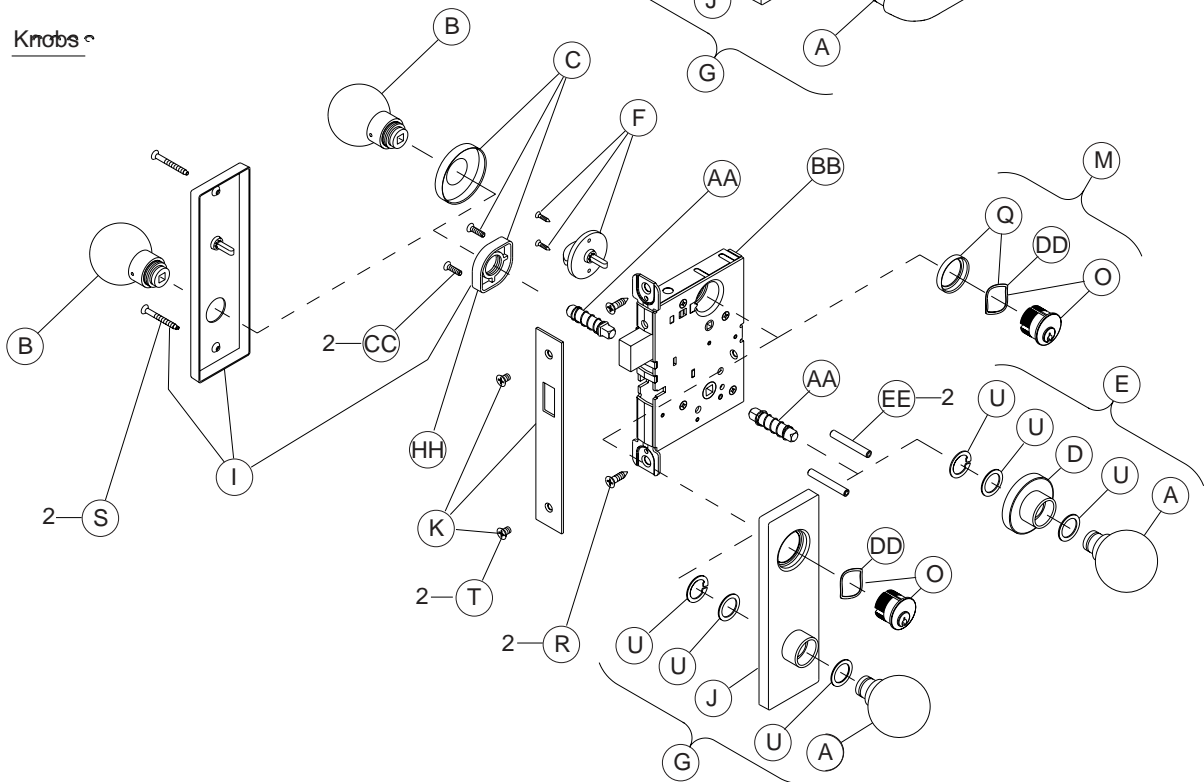
Trim Assemblies

Deadbolt with Fixed Double Dummy Trim: L9460/XL11-635

Levers



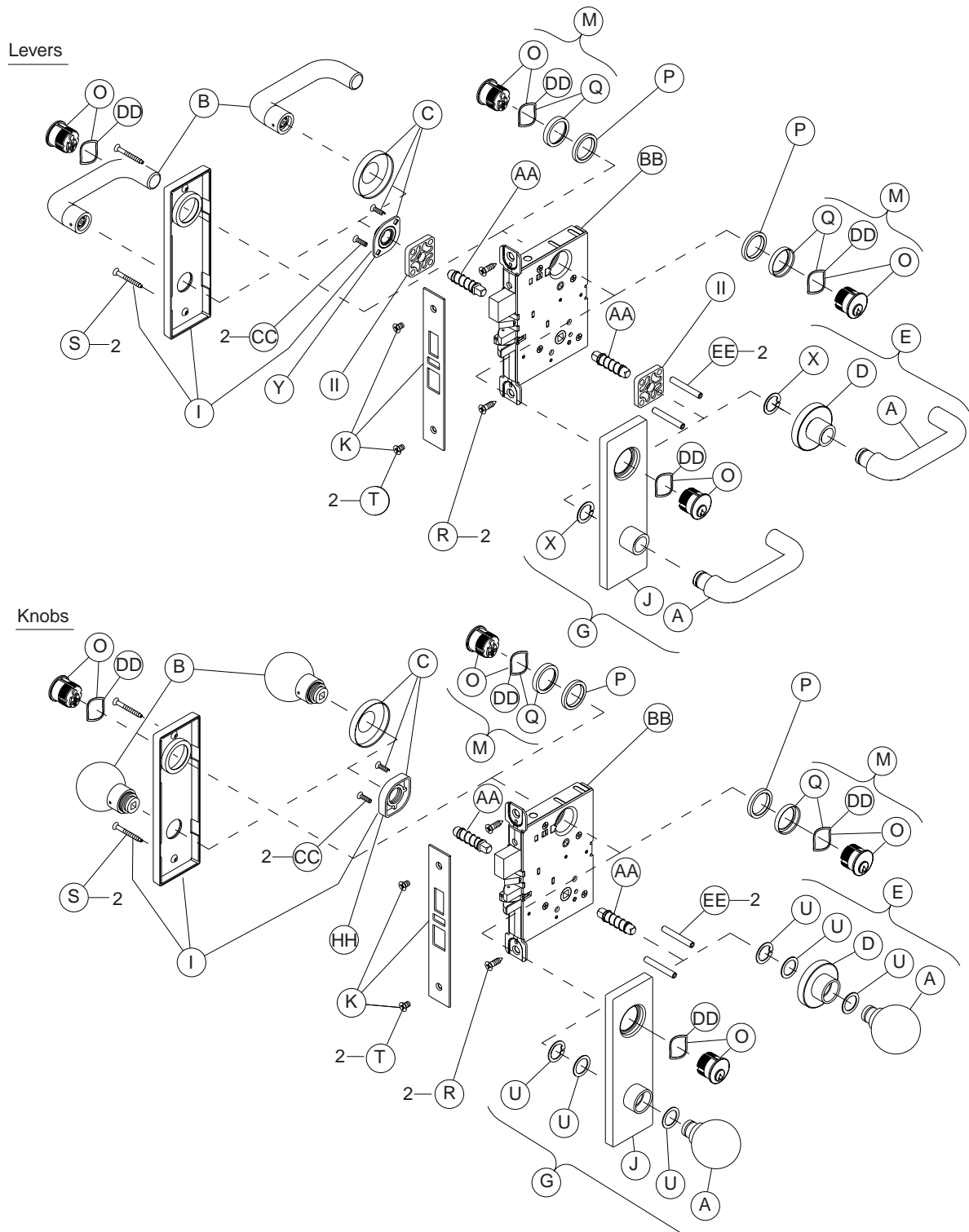
Knobs



NOTE: Standard full face mortise cylinder shown.

Trim Assemblies

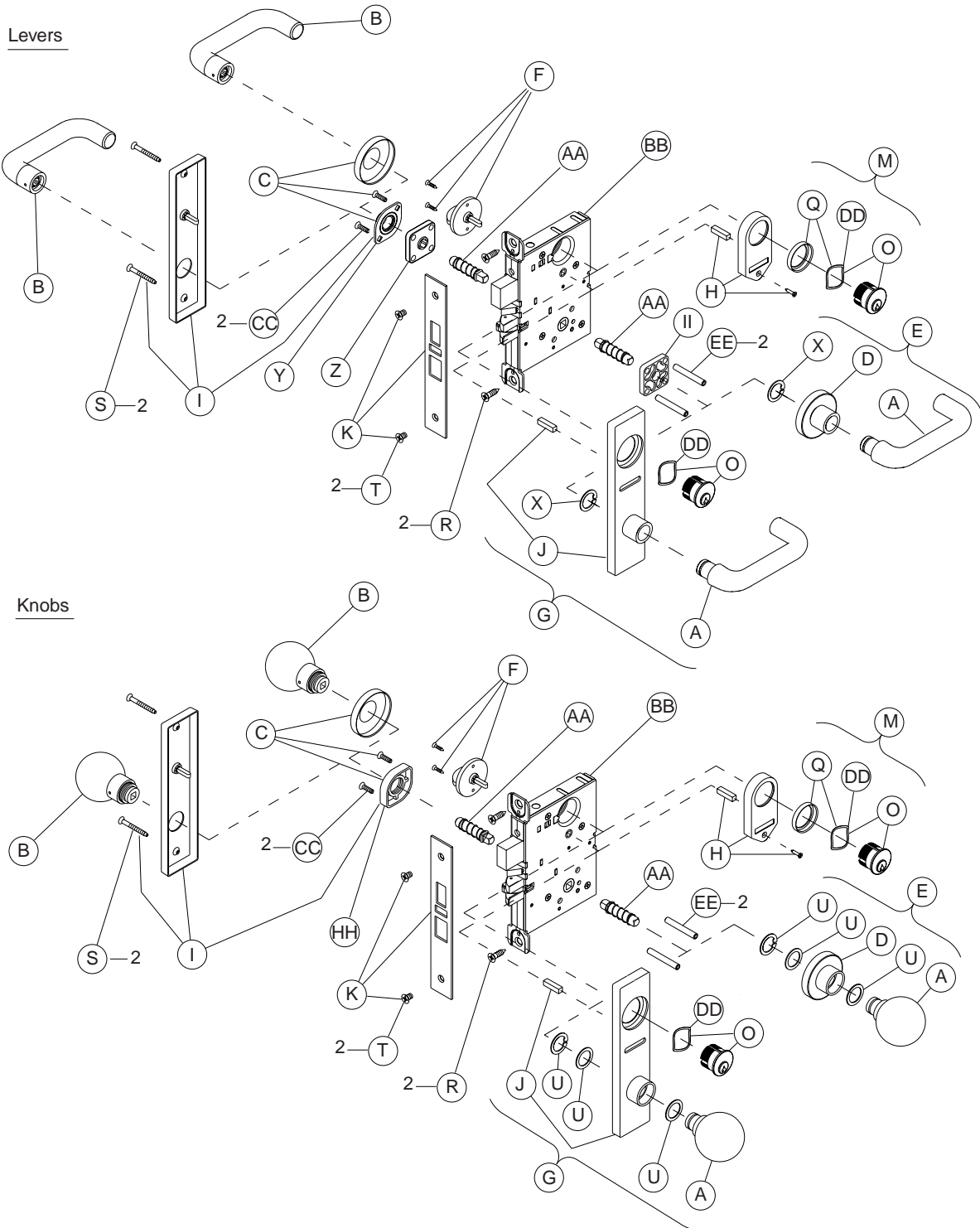
Institution Deadbolt Trim: L9482/XL11-543



NOTE: Standard full face mortise cylinder shown.

Trim Assemblies

Hotel with Indicator Trim: L9486, L9486 x L583-375, L9496*



* Actual lock function has a latch and deadbolt. Lock case and armor front shown with latch, auxiliary latch, and deadbolt.

NOTE: Standard full face mortise cylinder shown.

Trim Assemblies Chart

Sym.	P/N	Description	L0170	L0172	L460	L462	L463	L464	L480	L496	L9010	L9040	L9040/XL11-446**	L9044*	L9050	L9056	L9060	L9070	L9071	L9076	L9077	L9080	L9080EL	L9080EU	L9080EL-RX	L9080EU-RX	L9082	L9082EL	L9082EU	L9110XL11-471	
A	09-401	O/S Knob & Lever		•							•	•	•	•	•	•	•	•	•	•	•	•	•	•	•	•	•	•	•	•	
B	09-402	I/S Knob & Lever	•	•							•	•	•	•	•	•	•	•	•	•	•	•	•	•	•	•	•	•	•	•	
C	09-403	I/S Rose	•	•							•	•	•	•	•	•	•	•	•	•	•	•	•	•	•	•	•	•	•	•	
D	09-404	O/S Rose & Bushing	•								•	•	•	•	•	•	•	•	•	•	•	•	•	•	•	•	•	•	•	•	
E	Outside Rose & Knob/Lever:																														
	09-506	All design except AST,AVA, MER, and 93		•							•	•	•	•	•	•	•	•	•	•	•	•	•	•	•	•	•	•	•	•	
	09-655	AST,AVA, MER, and 93		•							•	•	•	•	•	•	•	•	•	•	•	•	•	•	•	•	•	•	•	•	
F	09-509	Thumbturn			•				•	•		•	•	•	•	•															
	L283-124	Coin turn outside											•																		
G	Outside Escutcheon x Knob/Lever except 93 lever:																														
	09-550	L & N x blank		•							•																			•	
	09-550/ XL11-446	L x thumbturn†											•																		
	09-551	L & N emergency button										•																			
	09-553	L & N x full face cylinder													•	•	•	•	•	•	•	•	•	•	•	•	•	•	•	•	•
	09-554	L x concealed cyl./ ind.																													
	09-555	L x full face cylinder/ ind.																													
H	09-611	Occupancy Indicator								•																					
I	Inside Escutcheon for Knob/Lever:																														
	09-632	L & N x blank	•	•							•							•	•	•	•	•	•	•	•	•	•	•	•	•	
	09-633	L & N x thumbturn										•	•		•	•															
	09-635	L & N x full face cylinder															•	•	•								•	•	•		

† Not sold separately as a part.
 * Available with rose trim only.
 ** Not available with N escutcheon.

NOTE: Standard cylinder part numbers are shown for cylinder function locks. See pages 89–100 for other cylinder options.

Trim Assemblies Chart

Sym.	P/N	Description	L9175	L9176	L9177 (disc)	L9178 (disc)	L9410 (disc)	L9440	L9444	L9453	L9456	L9457	L9460	L9460/XL11-635	L9460/XL11-886	L9462	L9462/XL11-886	L9463	L9464	L9464/XL11-886	L9465	L9466	L9473	L9480	L9482/XL11-543	L9485	L9485/XL11-557**	L9486***	L9486 x L583-375***	L9496	
			A	09-401	O/S Knob & Lever		•		•	•	•	•	•	•	•		•	•		•			•	•	•	•	•	•	•	•	•
B	09-402	I/S Knob & Lever	•	•	•	•	•	•	•	•	•	•		•	•		•			•	•	•	•	•	•	•	•	•	•	•	
C	09-403	I/S Rose	•	•	•	•	•	•	•	•	•	•		•	•		•			•	•	•	•	•	•	•	•	•	•	•	
D	09-404	O/S Rose & Bushing		•		•	•	•	•	•	•	•		•	•		•			•	•	•	•	•	•	•	•	•	•	•	
E	Outside Rose & Knob/Lever:																														
	09-506	All design except AST,AVA, MER, and 93		•		•	•	•	•	•	•	•		•	•		•			•	•	•	•	•	•	•	•	•	•	•	
	09-655	AST,AVA, MER, and 93					•	•	•	•	•			•	•		•			•				•	•	•	•	•	•	•	
F	09-509	Thumbturn					•	•	•	•	•		•	•									•	•		•	•	•	•	•	
	L283-124	Coin turn outside							•																						
G	Outside Escutcheon x Knob/Lever except 93 lever:																														
	09-550	L & N x blank		•		•																									
	09-550/ XL11-446	L x thumbturn †																													
	09-551	L & N emergency button						•																							
	09-553	L & N x full face cylinder					•			•	•	•		•	•		•			•	•	•	•	•	•	•	•	•	•	•	•
	09-554	L x concealed cyl./ ind.																											•	•	
	09-555	L x full face cylinder/ ind.																													•
H	09-611	Occupancy Indicator																										•	•	•	
I	Inside Escutcheon for Knob/Lever:																														
	09-632	L & N x blank	•	•	•	•														•	•										
	09-633	L & N x thumbturn					•	•		•	•			•	•								•	•		•	•	•	•	•	•
	09-635	L & N x full face cylinder									•						•					•			•						

† Not sold separately as a part.
 * Available with rose trim only.
 ** Available with knob x rose trim only.
 *** Not available with N escutcheon.

NOTE: Standard cylinder part numbers are shown for cylinder function locks. See pages 89–100 for other cylinder options.

Trim Assemblies Chart

Sym.	P/N	Description	L0170	L0172	L460	L462	L463	L464	L480	L496	L9010	L9040	L9040/XL11-446**	L9044*	L9050	L9056	L9060	L9070	L9071	L9076	L9077	L9080	L9080EL	L9080EU	L9080EL-RX	L9080EU-RX	L9082	L9082EL	L9082EU	L9110XL11-471	
			J Outside Escutcheon & Bushing x Knob/Lever Except 93 Lever:																												
	09-636	L & N x blank		•							•																			•	
	09-636/ XL11-446	L x thumbturn†											•																		
	09-637	L & N x emergency button										•																			
	09-639	L & N x full face cylinder													•	•	•	•	•	•	•	•	•	•	•	•	•	•	•	•	
	09-640	L x concealed cyl./ind.																													
	09-641	L x full face cyl./ind.																													
Outside N escutcheon & Bushing x 93 Lever:																															
	09-650	Blank		•							•																				
	06-651	Emergency Button										•																			
	09-652	Full face cylinder													•	•	•	•	•	•	•	•	•	•	•	•	•	•	•	•	
K 1¼ Armor Front x Schlage Logo:																															
	09-661	Blank																												•	
	09-662	Latch									•	•	•	•																	
	09-663	Latch & aux latch													•	•	•	•	•			•	•	•	•	•	•	•	•	•	
	09-664	Latch & deadbolt																													
	09-665	Deadbolt																													
	09-666	Latch, aux latch, and deadbolt																													
	09-713	Latch & aux. latch less UL stamp																			•	•									
	09-717	L400-Series deadbolt			•	•	•	•	•	•																					
L	09-905	Classroom Turn & 1½" Blocking Ring						•																							
M Full Face Cylinder with Compression Ring and Spring:																															
	20-001	Straight cam																													
	30-001	Clover leaf cam			•	2	•	•	•						•	•	•	•	2	•	2	•	•	•	•	•	•	2	•	•	
	30-002	Hotel (handed)																													

† Not sold separately as a part.
 * Available with rose trim only.
 ** Not available with N escutcheon.

NOTE: Standard cylinder part numbers are shown for cylinder function locks. See pages 89–100 for other cylinder options.

Trim Assemblies Chart

Sym.	P/N	Description	L9175	L9176	L9177 (disc)	L9178 (disc)	L9410 (disc)	L9440	L9444*	L9453	L9456	L9457	L9460	L9460/XL11-635	L9460/XL11-886	L9462	L9462/XL11-886	L9463	L9464	L9464/XL11-886	L9465	L9466	L9473	L9480	L9482/XL11-543	L9485	L9485/XL11-557**	L9486***	L9486 x L583-375***	L9496		
			Outside Escutcheon & Bushing x Knob/Lever Except 93 Lever:																													
J	09-636	L & N x blank		•	•																											
	09-636/ XL11-446	L x thumbturn†																														
	09-637	L & N x emergency button						•																								
	09-639	L & N x full face cylinder				•				•	•	•		•	•		•			•	•	•	•	•	•	•	•					
	09-640	L x concealed cyl./ind.																														
	09-641	L x full face cyl./ind.																										•	•	•		
Outside N escutcheon & Bushing x 93 Lever:																																
	09-650	Blank		•	•																											
	06-651	Emergency Button						•																								
	09-652	Full face cylinder								•	•	•										•	•	•	•		•					
K	1¼ Armor Front x Schlage Logo:																															
	09-661	Blank	•	•																												
	09-662	Latch																														
	09-663	Latch & aux latch																														
	09-664	Latch & deadbolt						•	•		•	•									•	•	•									•
	09-665	Deadbolt					•						•	•	•	•	•	•	•	•												
	09-666	Latch, aux latch, and deadbolt								•													•	•	•	•	•	•	•			
	09-713	Latch & aux. latch less UL stamp																														
	09-717	L400-Series deadbolt																														
L	09-905	Classroom Turn & 1½" Blocking Ring																	•													
M	Full Face Cylinder with Compression Ring and Spring:																															
	20-001	Straight cam																														
	30-001	Clover leaf cam					•			•	•	2	•	•	•	2	2	•	•	•	•	2	•	•	2	•					•	
	30-002	Hotel (handed)																										•	•	•		

† Not sold separately as a part.
 * Available with rose trim only.
 ** Available with knob x rose trim only.
 *** Not available with N escutcheon.

NOTE: Standard cylinder part numbers are shown for cylinder function locks. See pages 89–100 for other cylinder options.

Trim Assemblies Chart

Sym.	P/N	Description	L0170	L0172	L460	L462	L463	L464	L480	L496	L9010	L9040	L9040/XL11-446**	L9044*	L9050	L9056	L9060	L9070	L9071	L9076	L9077	L9080	L9080EL	L9080EU	L9080EL-RX	L9080EU-RX	L9082	L9082EL	L9082EU	L9110XL11-471
O	Full Face Cylinder with Compression Spring:																													
	26-021	Straight cam																												
	30-021	Clover leaf cam			•	2	•	•		•					•	•	•	•	2	•	2	•	•	•	•	•	•	2	•	•
	30-022	Hotel (handed)																												
P	36-082	Blocking Ring				2	•										2	2	2								2	2	2	
Q	36-083	Compression ring & spring			•	2	•	•		•					•	•	2	•	2	•	2	•	•	•	•	•	•	2	•	•
R	C203-736	Case Mounting Screw Pack			•	•	•	•	•	•	•	•	•	•	•	•	•	•	•	•	•	•	•	•	•	•	•	•	•	•
S	Escutcheon Thru-bolts/Screws:																													
	K510-389	N escutcheon									2	2			2	2	2	2	2	2	2	2	2	2	2	2	2	2	2	
	L283-101	L escutcheon (pack of two)									•	•	•		•	•	•	•	•	•	•	•	•	•	•	•	•	•	•	
	L583-133	N escutcheon	2	2																										
	L583-287	L escutcheon	2	2																										
T	K110-020	Armor screw pack			•	•	•	•	•	•	•	•	•	•	•	•	•	•	•	•	•	•	•	•	•	•	•	•	•	
U	K110-550	Knob Truarc rings & spacer pack		•							•	•	•	•	•	•	•	•	•	•	•	•	•	•	•	•	•	•	•	
V	K510-320	Dummy Mounting Plug	•	•																										
W	K510-330	Emergency Button										•																		
X	L283-030	Lever/Truarc Rings		•							•	•	•	•	•	•	•	•	•	•	•	•	•	•	•	•	•	•	•	
Y	L283-031	I/S Lever Mounting Plate	•	•							•	•	•	•	•	•	•	•	•	•	•	•	•	•	•	•	•	•	•	
Z	L283-040	Lever Spring Cage									2	2	2	2	2	2	2	2	2	2	2	2	•	2	2	2	2	2	2	
AA	Spindles & Springs:																													
	L283-060	Spindle & spring									2	2	2	2	2	2	2	2	2	2	2	2	2	2	2	2	2	2	2	
	L283-064	Double dummy		•																								•	•	
	L283-065	Single dummy	•																											
	XL11-766	Free spinning spindle & spring†																												

† Not sold separately as a part.
 * Available with rose trim only.
 ** Not available with N escutcheon.

NOTE: Standard cylinder part numbers are shown for cylinder function locks. See pages 89–100 for other cylinder options.

Trim Assemblies Chart

Sym.	P/N	Description	L9175	L9176	L9177 (disc)	L9178 (disc)	L9410 (disc)	L9440	L9444*	L9453	L9456	L9457	L9460	L9460/XL11-635	L9460/XL11-886	L9462	L9462/XL11-886	L9463	L9464	L9464/XL11-886	L9465	L9466	L9473	L9480	L9482/XL11-543	L9485	L9485/ L11-557**	L9486***	L9486 x L583-375***	L9496	
			Full Face Cylinder with Compression Spring:																												
O	26-021	Straight cam																													
	30-021	Clover leaf cam					•			•	•	2	•	•	•	2	2	•	•	•	•	•	2	•	•	2	•				•
	30-022	Hotel (handed)																										•	•	•	
P	36-082	Blocking Ring										•				2	2	•					2		2						
Q	36-083	Compression ring & spring					•			•	•	2	•	•	•	2	2	•	•	•	•	•	2	•	•	•	•	•	•	•	•
R	C203-736	Case Mounting Screw Pack	•	•	•	•	•	•	•	•	•	2	•	•	•	•	•	•	•	•	•	•	•	•	•	•	•	•	•	•	•
Escutcheon Thru-bolts/Screws:																															
S	K510-389	N escutcheon					2	2						2	2	2					2	2	2	2	2	2	2				
	L283-101	L escutcheon (pack of two)					•	•		2	2	2		•	•		•			•	•	•	•	•	•	•	•	•	•	•	•
	L583-133	N escutcheon	2	2	2	2				•	•	•																			
	L583-287	L escutcheon	•	•	•	•																									•
T	K110-020	Armor screw pack	•	•	•	•	•	•	•	•	•	•	•	•	•	•	•	•	•	•	•	•	•	•	•	•	•	•	•	•	•
U	K110-550	Knob Truarc rings & spacer pack		•		•	•	•	•	•	•	•		•	•		•			•	•	•	•	•	•	•	•	•	•	•	•
V	K510-320	Dummy Mounting Plug																													
W	K510-330	Emergency Button							•																						
X	L283-030	LeverTruarc Rings		•		•	•	•	•	•	•	•		•	•		•			•	•	•	•	•	•	•	•	•	•	•	•
Y	L283-031	I/S Lever Mounting Plate	•	•	•	•	•	•	•	•	•	•	•	•	•	•	•	•	•	•	•	•	•	•	•	•	•	•	•	•	•
Z	L283-040	Lever Spring Cage					2	2	2	2	2	2			•	•				•	2	2	2	•		•	•	•	•	•	•
Spindles & Springs:																															
AA	L283-060	Spindle & spring	•	2	•	2	2	2	2	2	2	2	2	2	2	2	2				2	2	2	2	2	2	2	•	2	2	2
	L283-064	Double dummy																													
	L283-065	Single dummy																													
	XL11-766	Free spinning spindle & spring†																										•			

† Not sold separately as a part.
 * Available with rose trim only.
 ** Available with knob x rose trim only.
 *** Not available with N escutcheon.

NOTE: Standard cylinder part numbers are shown for cylinder function locks. See pages 89–100 for other cylinder options.

Trim Assemblies Chart

Sym.	P/N	Description	L9175	L9176	L9177 (disc)	L9178 (disc)	L9410 (disc)	L9440	L9444*	L9453	L9456	L9457	L9460	L9460/XL11-635	L9460/XL11-886	L9462	L9462/XL11-886	L9463	L9464	L9464/XL11-886	L9465	L9466	L9473	L9480	L9482/XL11-543	L9485	L9485/XL11-557**	L9486***	L9486 x L583-375****	L9496	
			BB	Assembled Lock Case:																											
	L283-039	Classroom holdback																													
	L283-062	Privacy w/ Deadbolt					•	•																							
	L283-085	L9082 EL																													
	L283-085	L9082 EU																													
	L283-099	L400-Series deadbolts																													
	L283-126	Office w/simultaneous retraction																													
	L283-131	Passage																													
	L283-132	Privacy																													
	L283-133	Office, apartment, classroom / security																													
	L283-134	Storeroom																													
	L283-137	Entrance								•																					
	L283-138	Corridor, classroom security x deadbolt									•	•																			•
	L283-139	L9000 deadbolts											•		•		•	•													
	L283-140	Closet, storeroom, and dormitory																				•	•	•							
	L283-141	Hotel and hotel x ind.																						•		•		•	•		
	L283-142	Electrically Locked																													
	L283-143	Electrically Unlocked																													
	L283-144	Single dummy w/ case	•		•																										
	L283-145	Double dummy w/ case	•		•																										
	L283-146	Institution																													
	L283-059 L283-125	RX Open RX Closed																													
	XL11-543	Institution deadbolt†																							•						
	XL11-557	Prison†																										•			
	XL11-661	Deadbolt w/ fixed trim†												•																	
	XL11-741	Double dummy with active knob/lever†																													
	XL11-742	Double dummy, active trim w/ deadbolt†					•																								
	XL11-886	Deadbolt retracted by inside knob/lever†													•		•				•										

† Not sold separately as a part.
 * Available with rose trim only.
 ** Available with knob x rose trim only.
 *** Not available with N escutcheon.

NOTE: Standard cylinder part numbers are shown for cylinder function locks. See pages 89–100 for other cylinder options.

Trim Assemblies Chart

Sym.	P/N	Description	L0170	L0172	L460	L462	L463	L464	L480	L496	L9010	L9040	L9040/XL11-446**	L9044*	L9050	L9056	L9060	L9070	L9071	L9076	L9077	L9080	L9080EL	L9080EU	L9080EL-RX***	L9080EU-RX***	L9082	L9082EL	L9082EU	L9110XL11-471
CC	Mounting Plate Screws:																													
	F506-273	Wood doors x L escutcheon	2																											
	L583-066	Wood/metal doors except single dummy	2								2	2	2	2	2	2	2	2	2	2	2	2	2	2	2	2	2	2	2	2
	L583-289	Metal doors x L escutcheon	2																											
	L583-290	Wood/metal doors x L rose/N escutcheon x lever	2																											
	L583-291	Wood/metal doors x L rose/N escutcheon x knob	2																											
DD	L583-195	Compression Spring			•	2	•	•		•					•	•	2	•	2	•	2	•	•	•	•	•	•	2	2	2
EE	L583-212	Mounting Posts	2								2	2	2	2	2	2	2	2	2	2	2	2	2	2	2	2	2	2	2	2
FF	L583-233	Emergency Turn											•																	
GG	L583-286	Dummy Mounting Bar	•	•																										
HH	L583-321	I/S Knob Mounting Plate	•	•							•	•	•	•	•	•	•	•	•	•	•	•	•	•	•	•	•	•	•	•
II	L583-322	Lever Spacer	•	2																		•					2			
JJ	10-091	Armor Strike																												

† Not sold separately as a part.
 * Available with rose trim only.
 ** Not available with N escutcheon.

NOTE: Standard cylinder part numbers are shown for cylinder function locks. See pages 89–100 for other cylinder options.

Trim Assemblies Chart

Sym.	P/N	Description																													
			L9175	L9176	L9177 (disc)	L9178 (disc)	L9410 (disc)	L9440	L9444*	L9453	L9456	L9457	L9460	L9460/XL11-635	L9460/XL11-886	L9462	L9462/XL11-886	L9463	L9464	L9464/XL11-886	L9465	L9466	L9473	L9480	L9482/XL11-543	L9485	L9485/XL11-557**	L9486***	L9486 x L583-375***	L9496	
CC	Mounting Plate Screws:																														
	F506-273	Wood doors x L escutcheon	2	2																											
	L583-066	Wood/metal doors except single dummy	2		2	2	2	2	2	2	2		2	2		2				2	2	2	2	2	2	2	2	2	2	2	2
	L583-289	Metal doors x L escutcheon																													
	L583-290	Wood/metal doors x L rose/N escutcheon x lever	2	2																											
L583-291	Wood/metal doors x L rose/N escutcheon x knob	2	2																												
DD	L583-195	Compression Spring					•		•	•	2	•	•	•	2	2	•	•	•	•	•	2	•	•	2	•	•	•	•	•	
EE	L583-212	Mounting Posts		2		2	2	2	2	2	2		2	2		2				2	2	2	2	2	2	2	2	2	2	2	2
FF	L583-233	Emergency Tur					•																								
GG	L583-286	Dummy Mounting Bar																													
HH	L583-321	I/S Knob Mounting Plate	•	•	•	•	•	•	•	•	•		•	•		•			•	•	•	•	•	•	•	•	•	•	•	•	•
II	L583-322	Lever Spacer	•	2	•	2						2	•		•				•				•	2	•		•	•	•	•	
JJ	10-091	Armor Strike			•	•																									

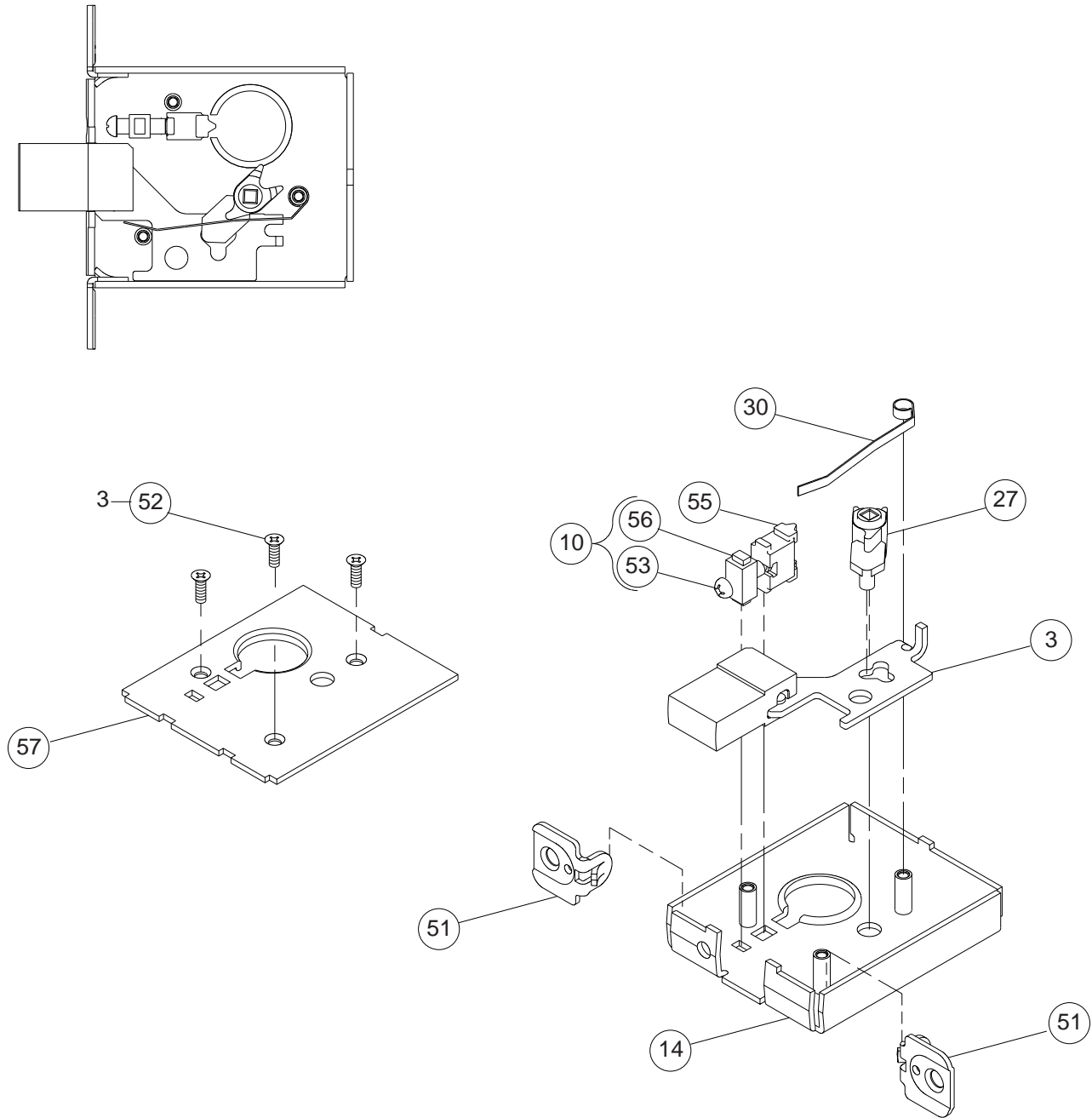
† Not sold separately as a part.
 * Available with rose trim only.
 ** Available with knob x rose trim only.
 *** Not available with N escutcheon.

NOTE: Standard cylinder part numbers are shown for cylinder function locks. See pages 89–100 for other cylinder options.

Lock Case Assemblies

L460, L462, L463, L464, L480, L496

Assembled Lock Case L283-099

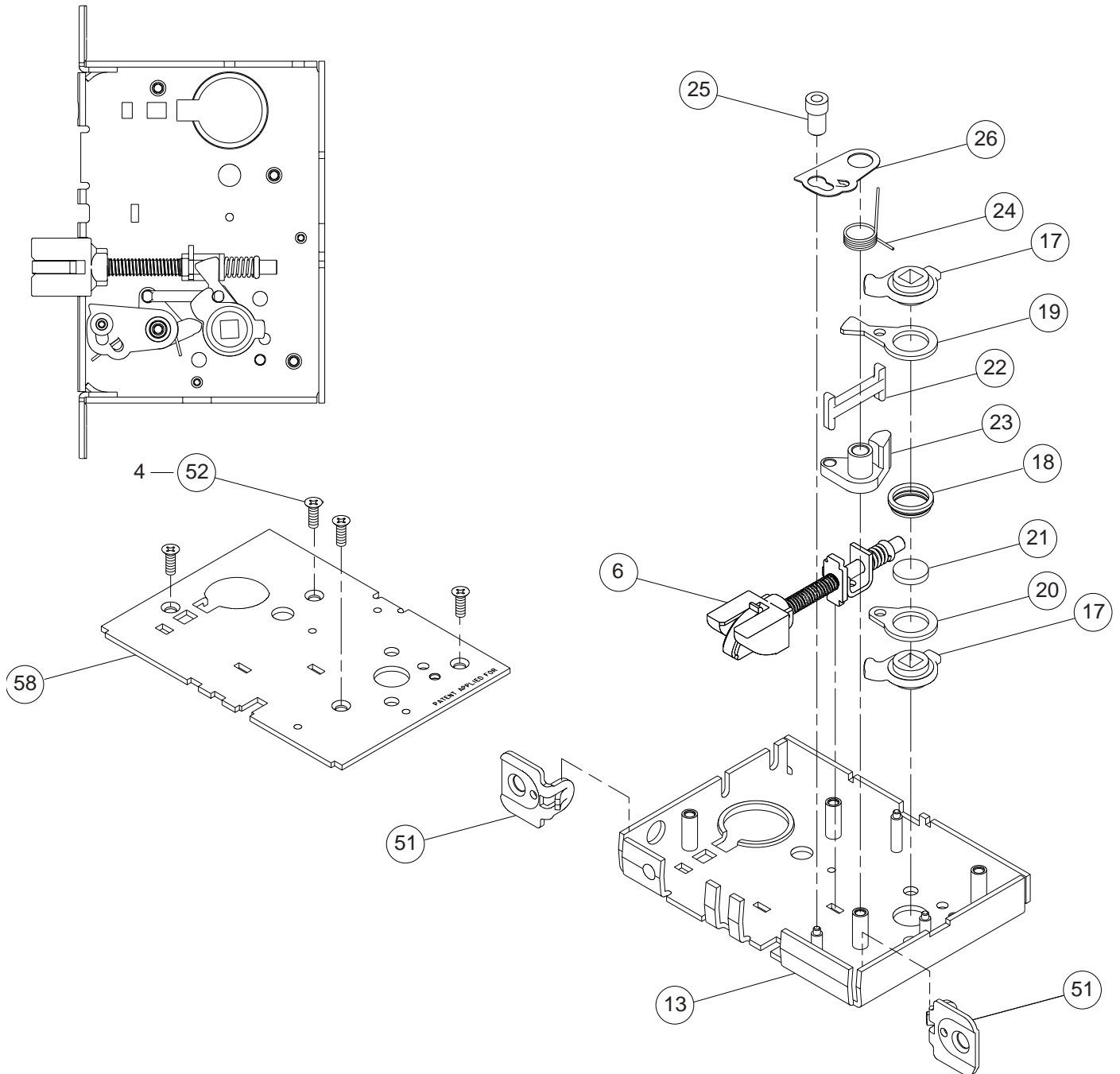


NOTE: Lock case assembly shown for LH and LHR doors. See page 105 for instructions on changing the lock hand.

Lock Case Assemblies

L9010

Assembled Lock Case L283-131

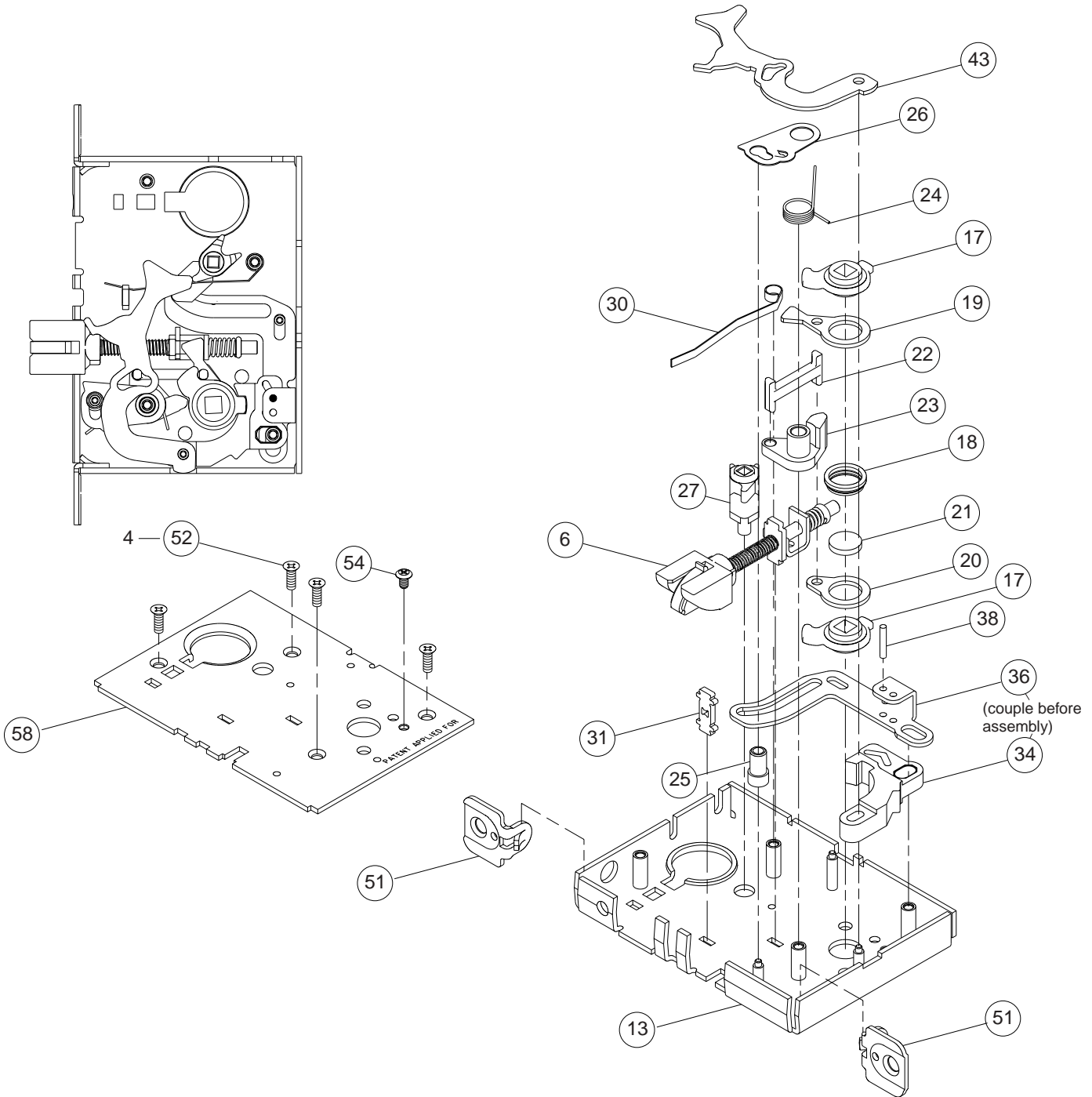


NOTE: Lock case assembly shown for LH and LHR doors. See page 105 for instructions on changing the lock hand.

Lock Case Assemblies

L9040, L9040/XL11-446, L9044

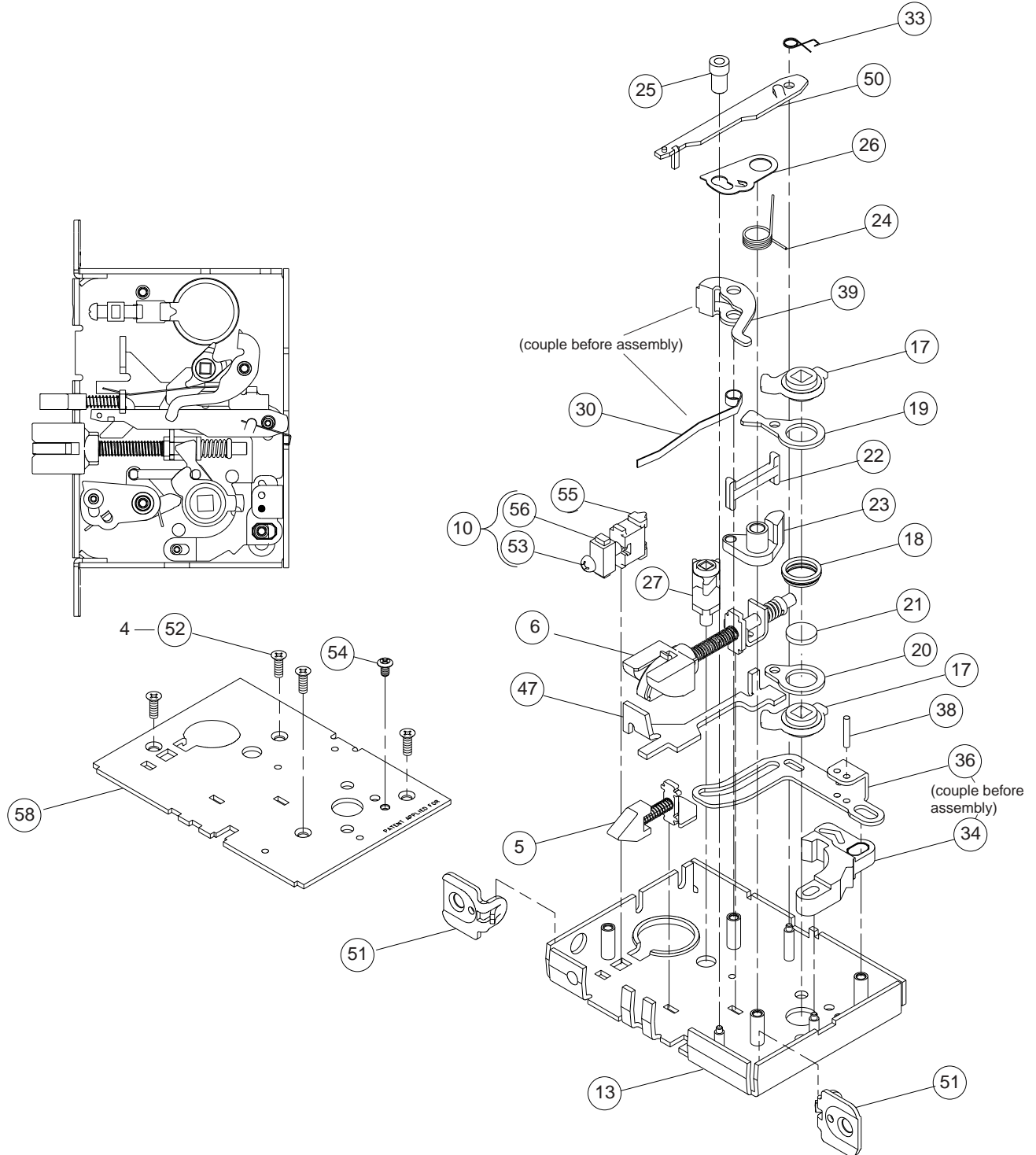
Assembled Lock Case L283-132



NOTE: Lock case assembly shown for LH and LHR doors. See page 105 for instructions on changing the lock hand.

Lock Case Assemblies

L9050, L9060, L9070, L9071,
Assembled Lock Case L283-133

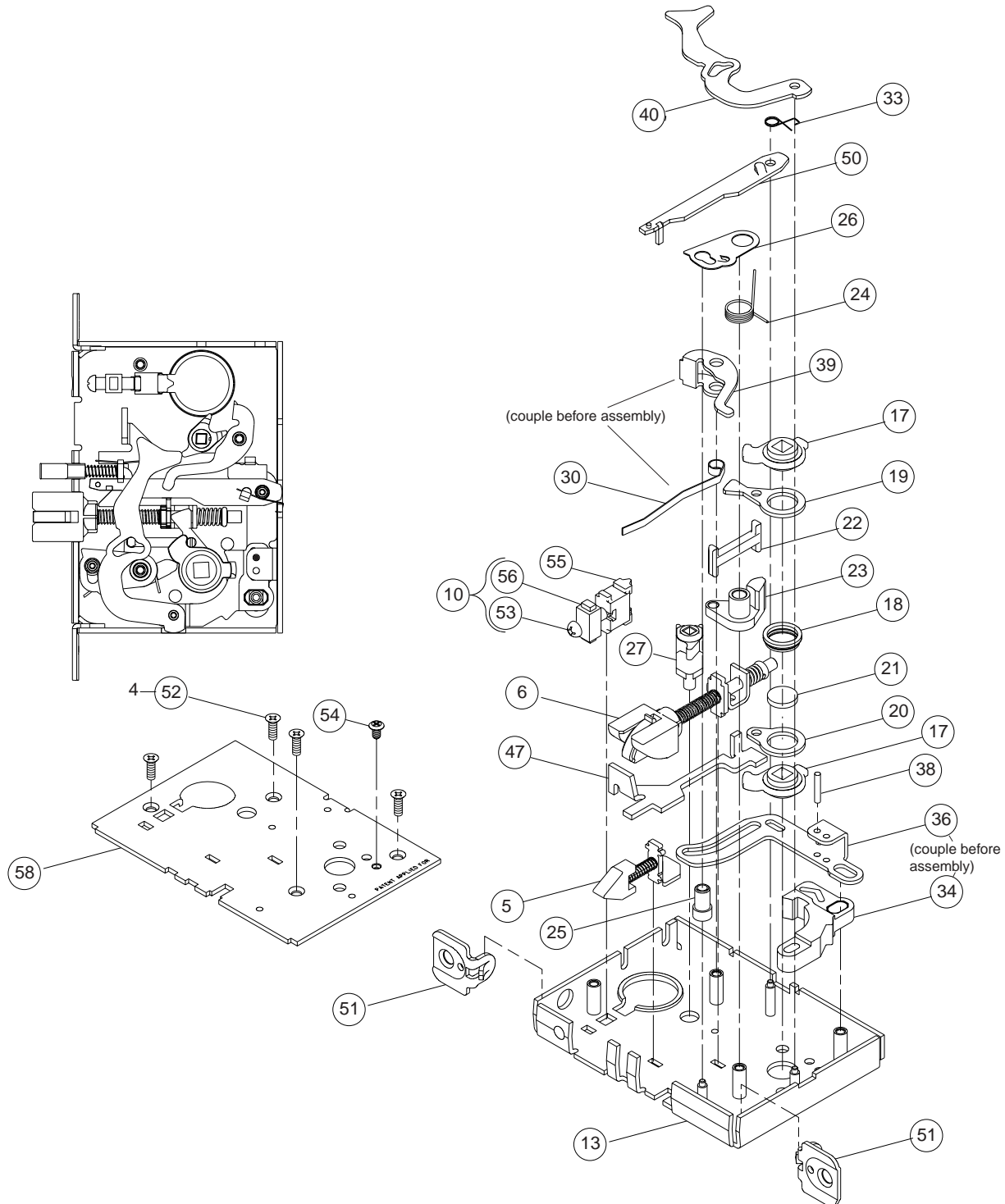


NOTE: Lock case assembly shown for LH and LHR doors. See page 105 for instructions on changing the lock hand.

Lock Case Assemblies

L9056

Assembled Lock Case L283-126

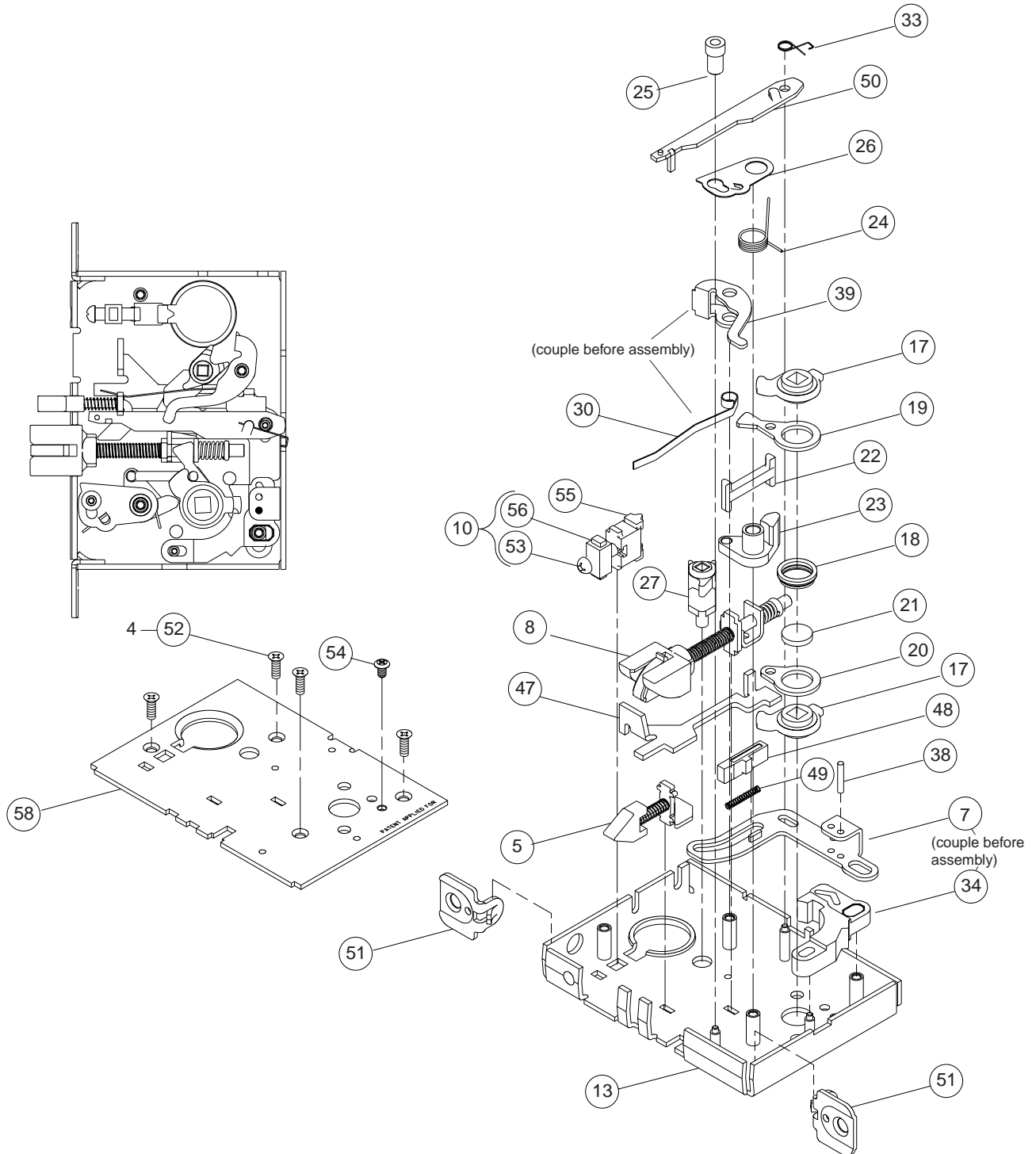


NOTE: Lock case assembly shown for LH and LHR doors. See page 105 for instructions on changing the lock hand.

Lock Case Assemblies

L9076, L9077

Assembled Lock Case L283-039

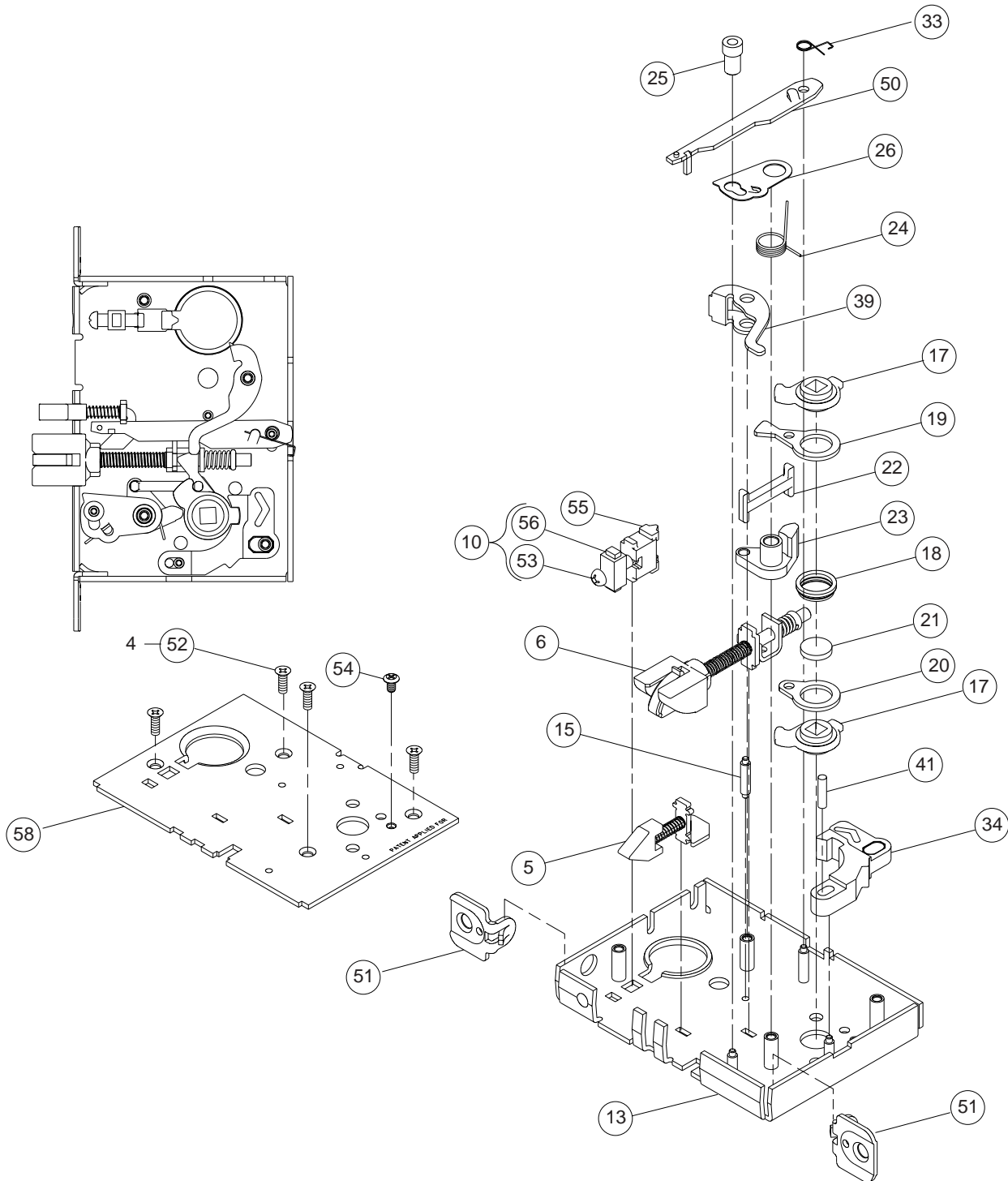


NOTE: Lock case assembly shown for LH and LHR doors. See page 105 for instructions on changing the lock hand.

Lock Case Assemblies

L9080

Assembled Lock Case L283-134



NOTE: Lock case assembly shown for LH and LHR doors. See page 105 for instructions on changing the lock hand.

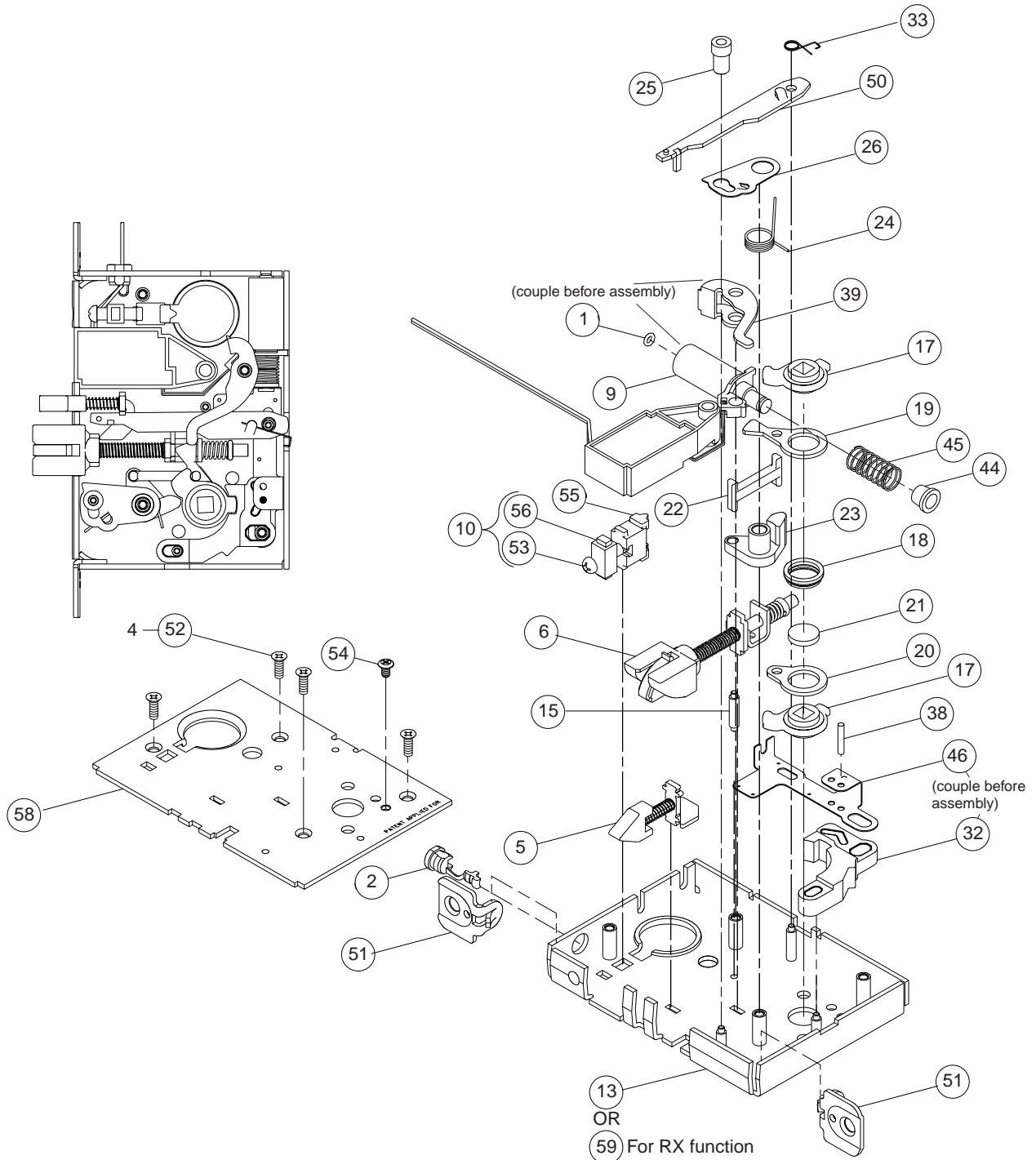
Lock Case Assemblies

L9080EL, L9080EL-RX

Assembled Lock Case L283-142

L283-142 x L283-059 for Request to Exit normally closed option

L283-142 x L283-125 for Request to Exit normally open option



NOTE: Lock case assembly shown for LH and LHR doors. See page 105 for instructions on changing the lock hand.

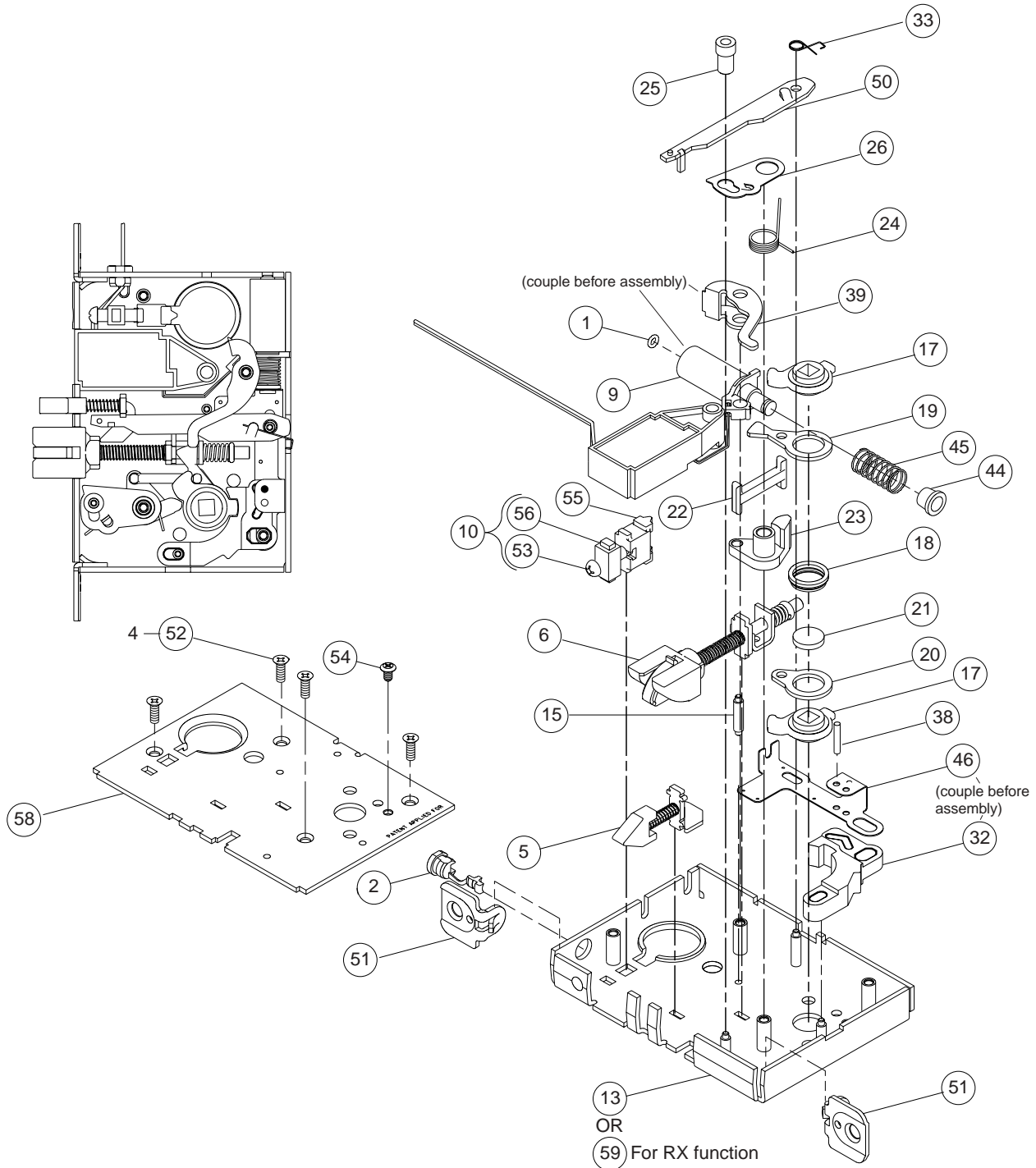
Lock Case Assemblies

L9080EU, L9080EU-RX

Assembled Lock Case L283-143

L283-143 x L283-059 for Request to Exit normally closed option

L283-143 x L283-125 for Request to Exit normally open option

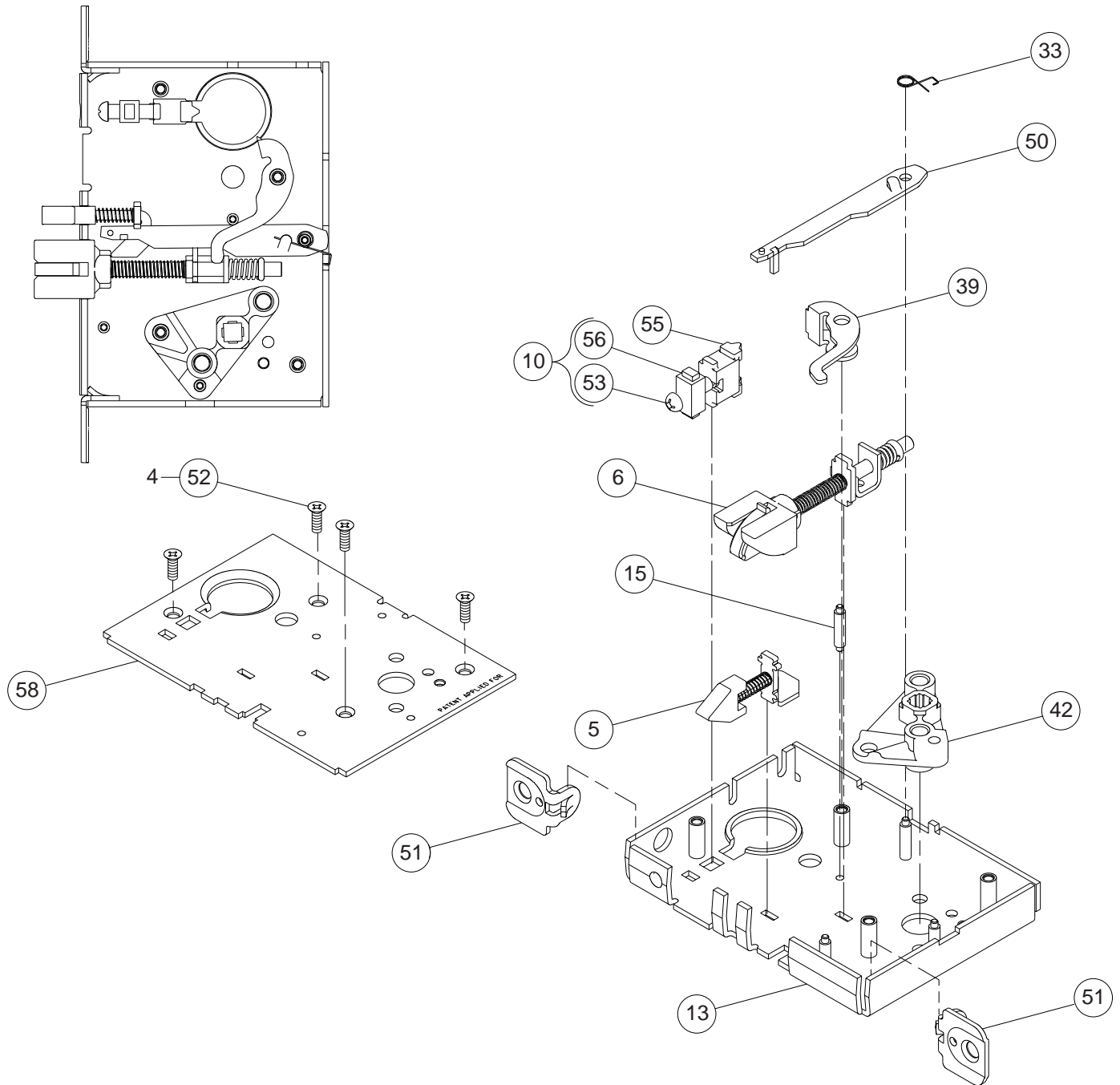


NOTE: Lock case assembly shown for LH and LHR doors. See page 105 for instructions on changing the lock hand.

Lock Case Assemblies

L9082

Assembled Lock Case L283-146

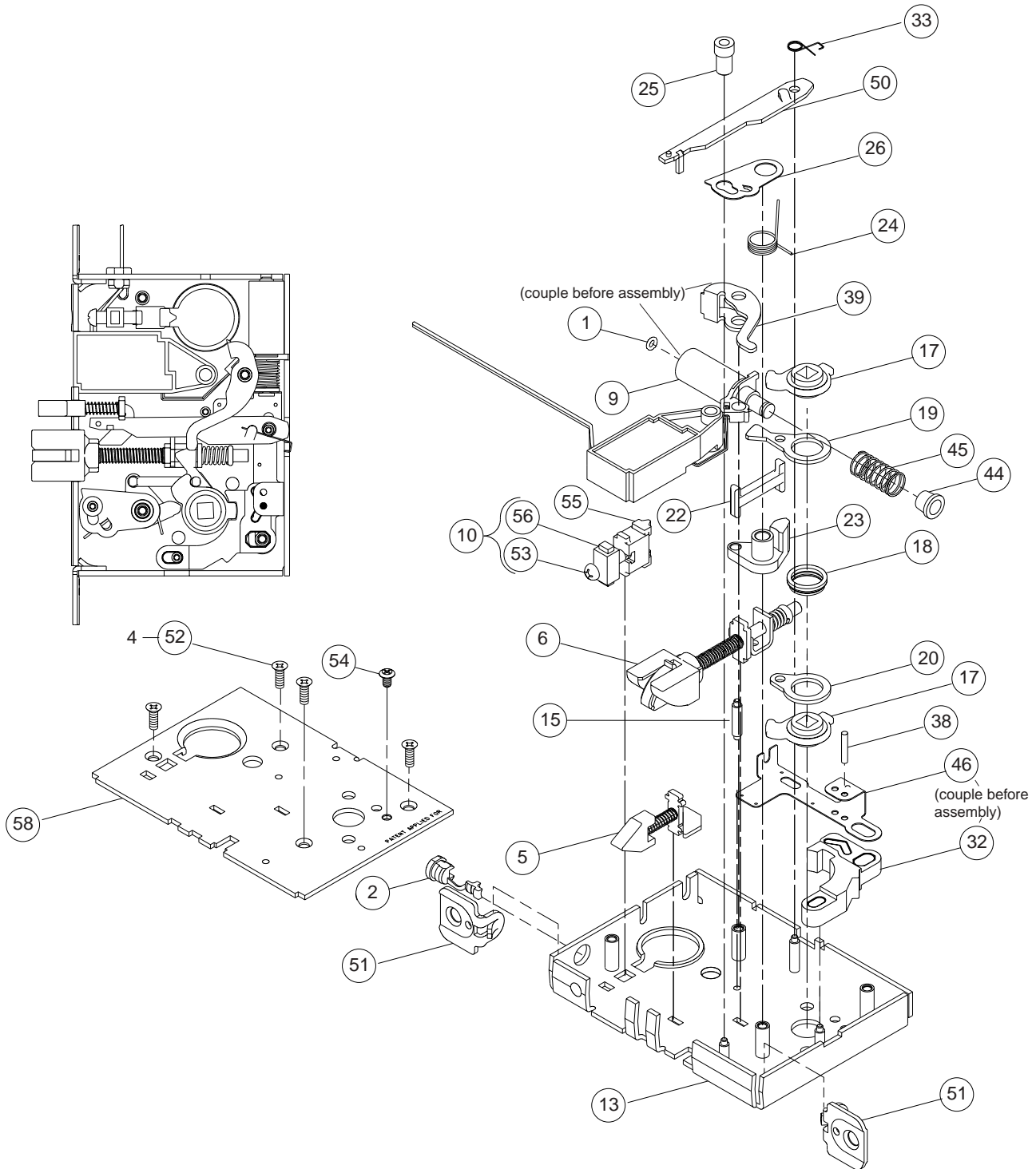


NOTE: Lock case assembly shown for LH and LHR doors. See page 105 for instructions on changing the lock hand.

Lock Case Assemblies

L9082EL

Assembled Lock Case L283-085

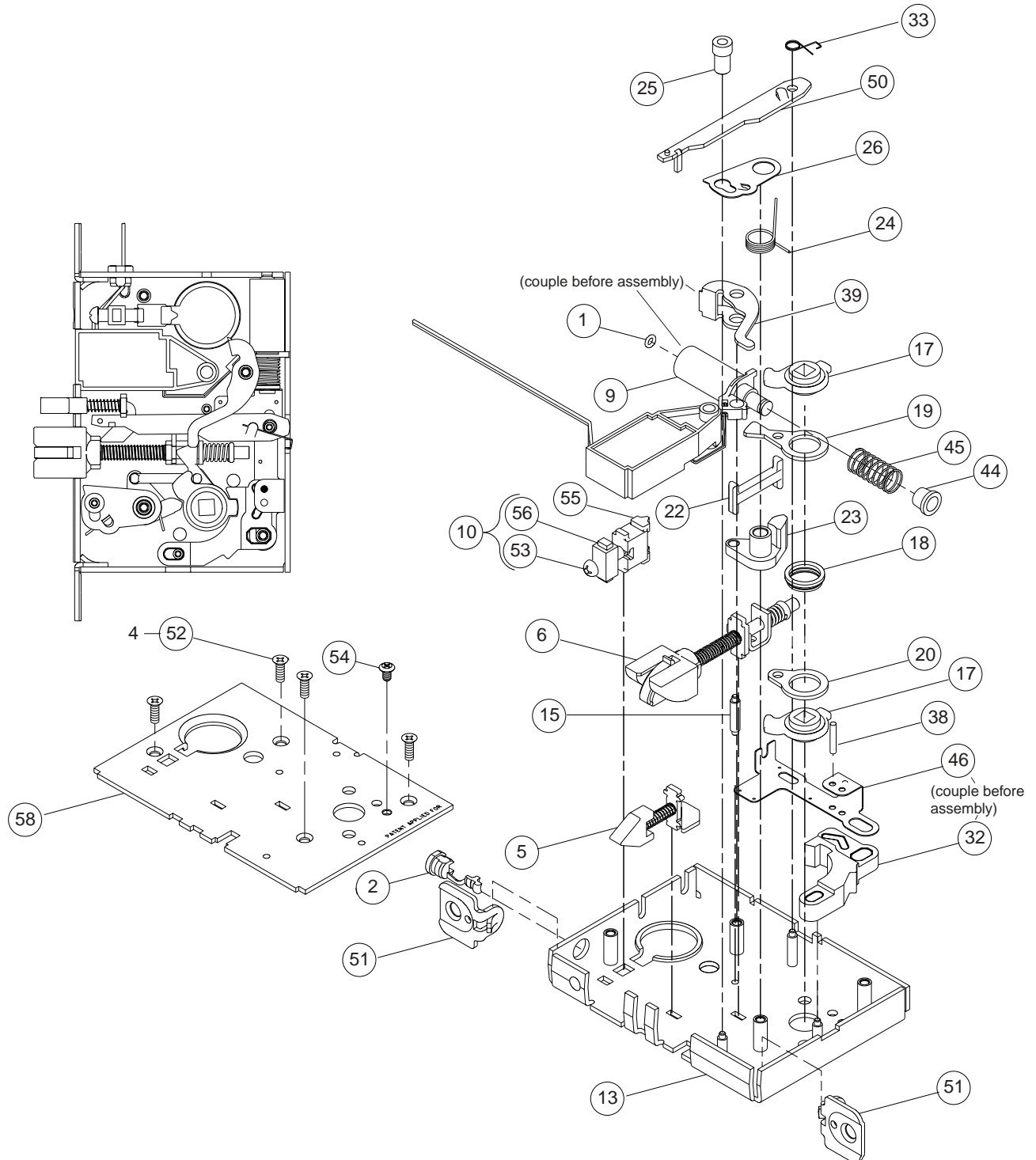


NOTE: Lock case assembly shown for LH and LHR doors. See page 105 for instructions on changing the lock hand.

Lock Case Assemblies

L9082EU

Assembled Lock Case L283-086

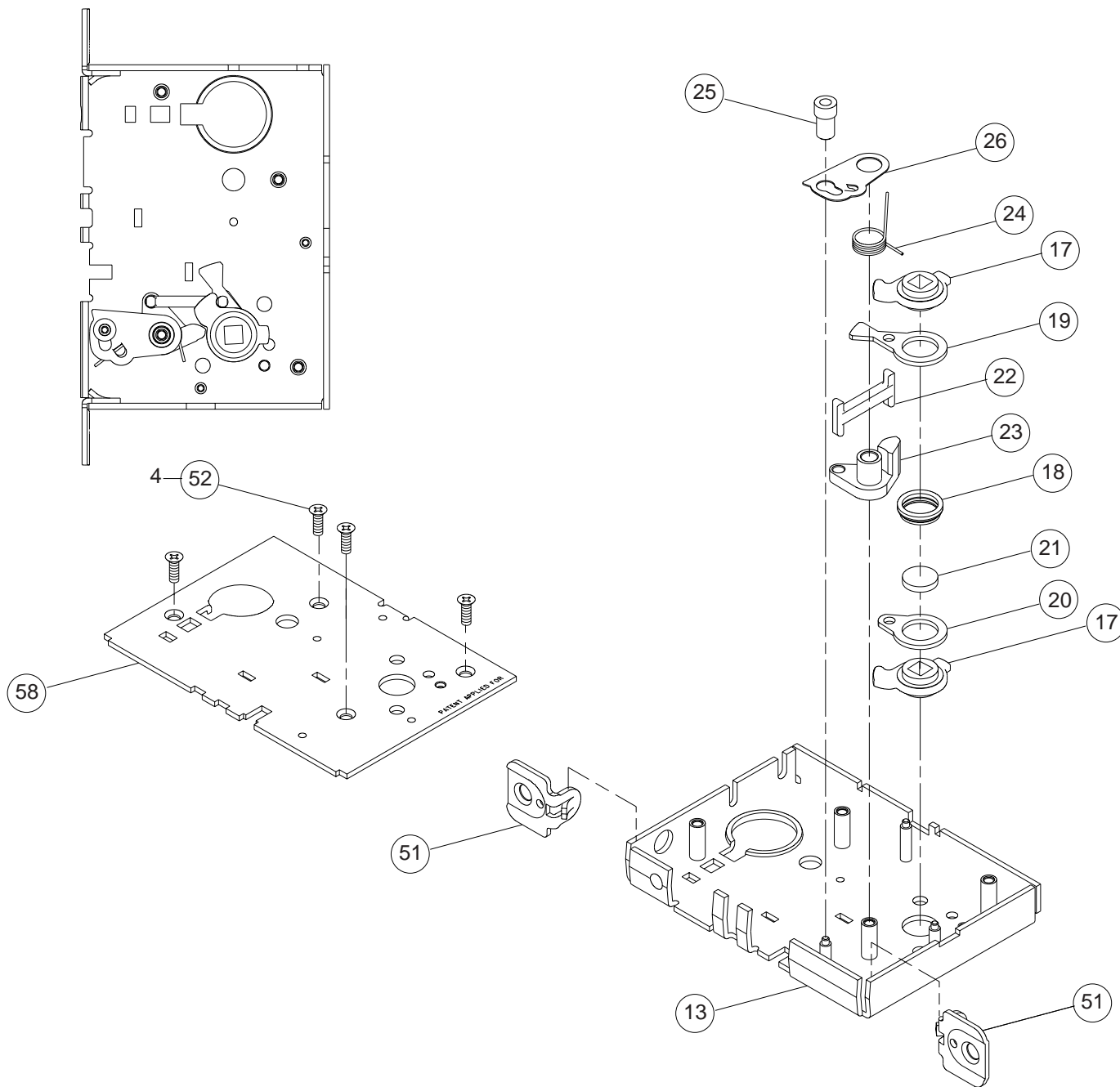


NOTE: Lock case assembly shown for LH and LHR doors. See page 105 for instructions on changing the lock hand.

Lock Case Assemblies

L9110/XL11-741

Assembled Lock Case XL11-741

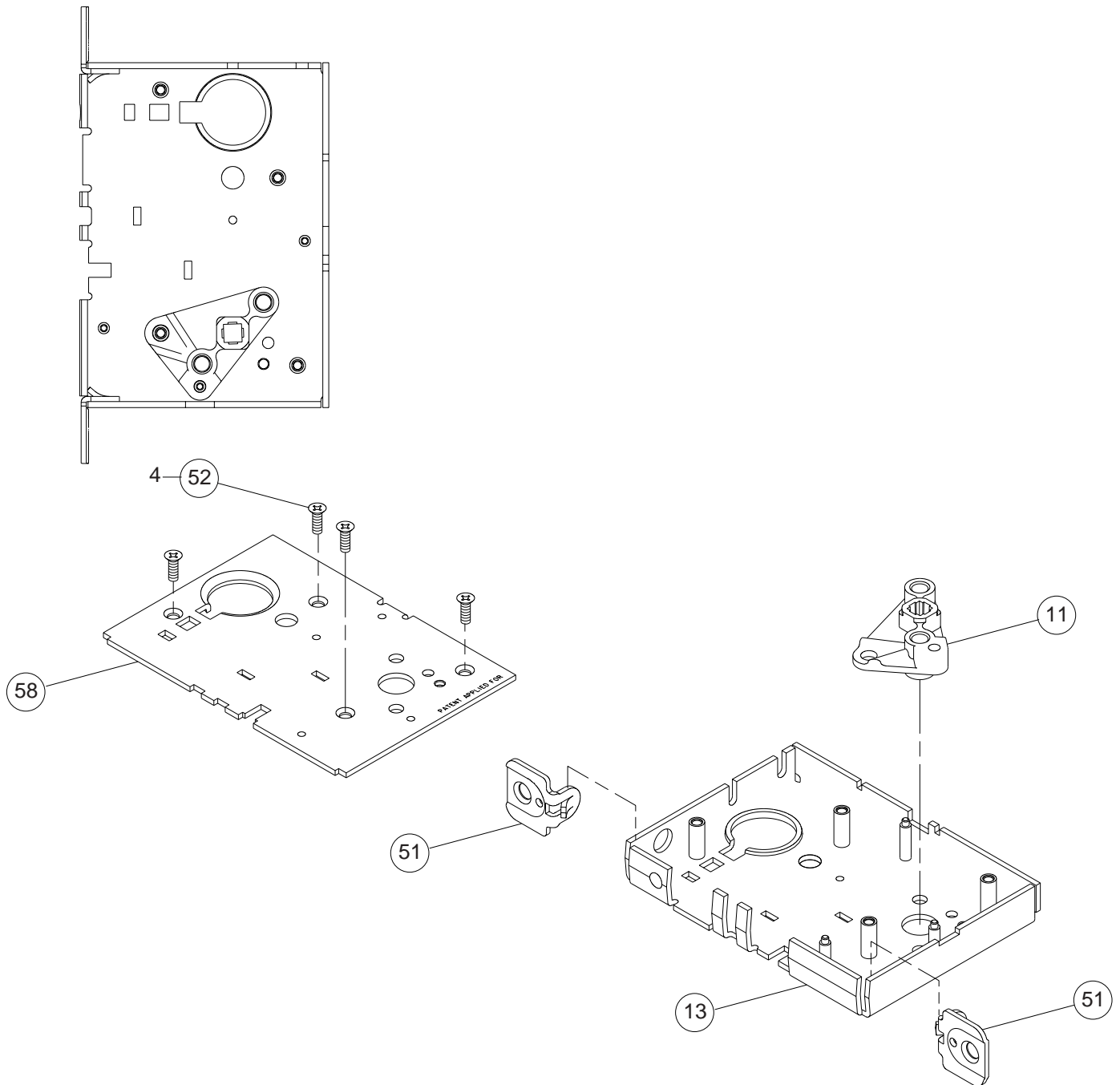


NOTE: Lock case assembly shown for LH and LHR doors. See page 105 for instructions on changing the lock hand.

Lock Case Assemblies

L9175, L9177

Assembled Lock Case L283-144

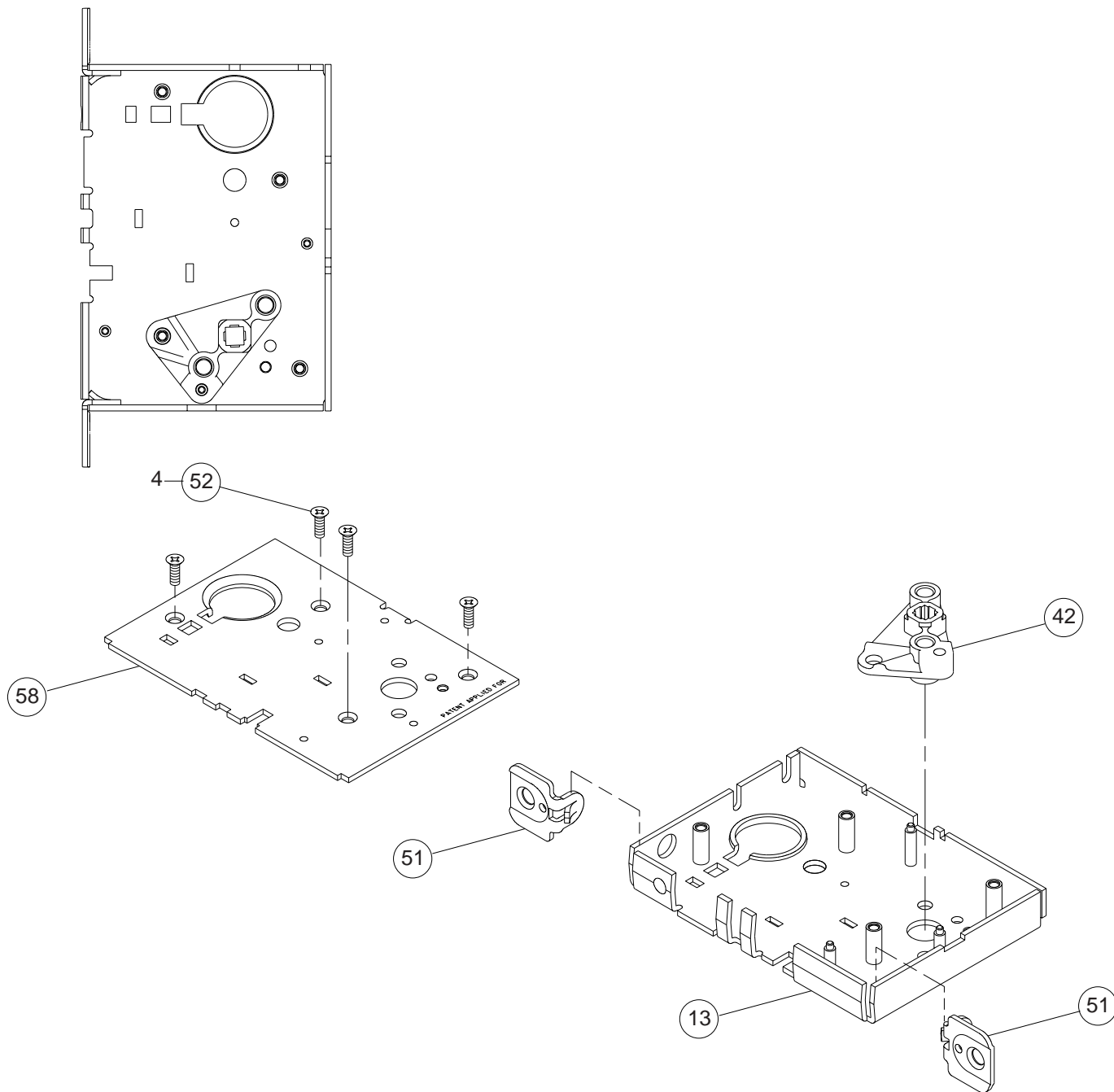


NOTE: Lock case assembly shown for LH and LHR doors. See page 105 for instructions on changing the lock hand.

Lock Case Assemblies

L9176, L9178

Assembled Lock Case L283-145

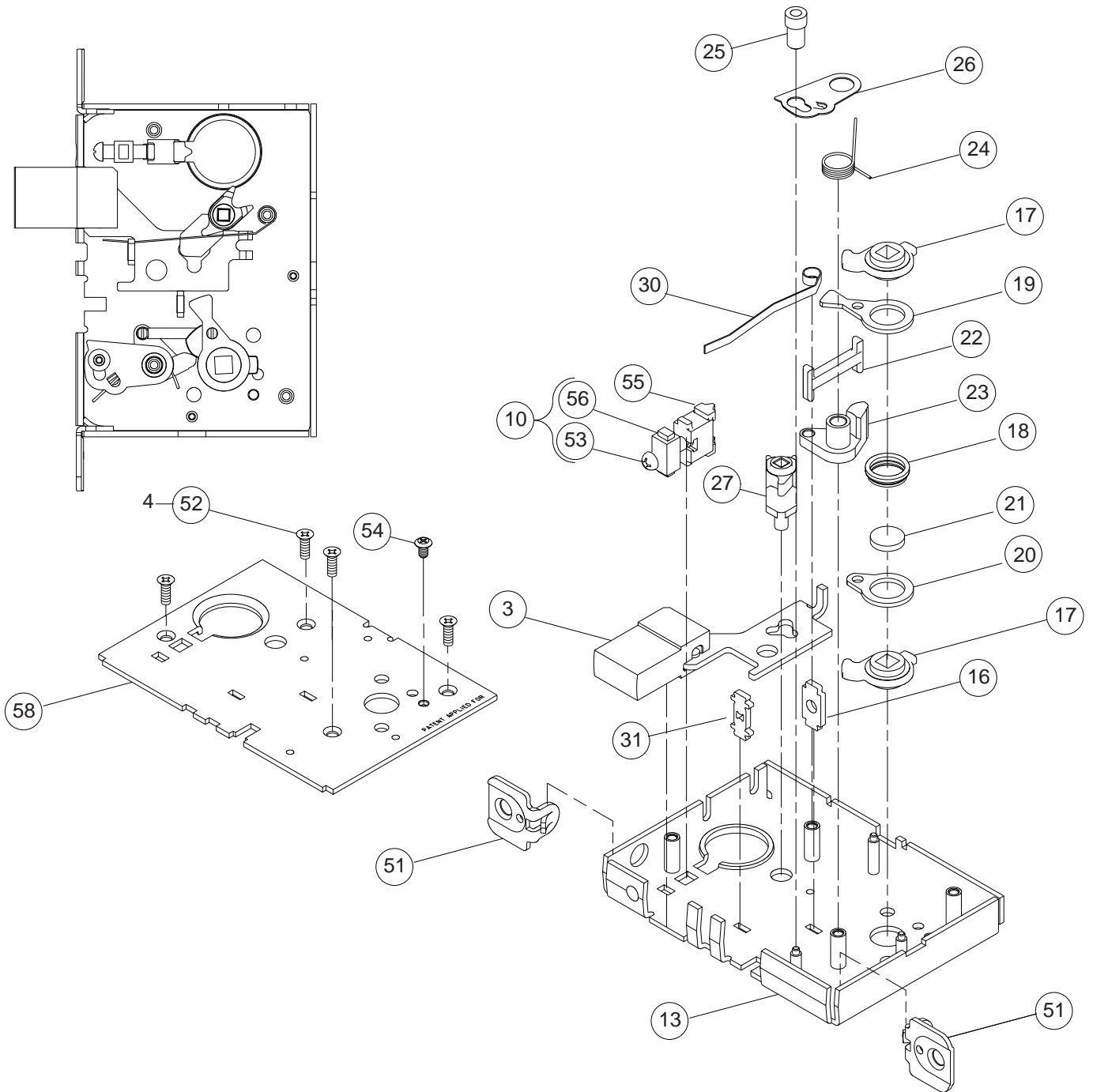


NOTE: Lock case assembly shown for LH and LHR doors. See page 105 for instructions on changing the lock hand.

Lock Case Assemblies

L9410/XL11-742 (discontinued)

Assembled Lock Case XL11-742

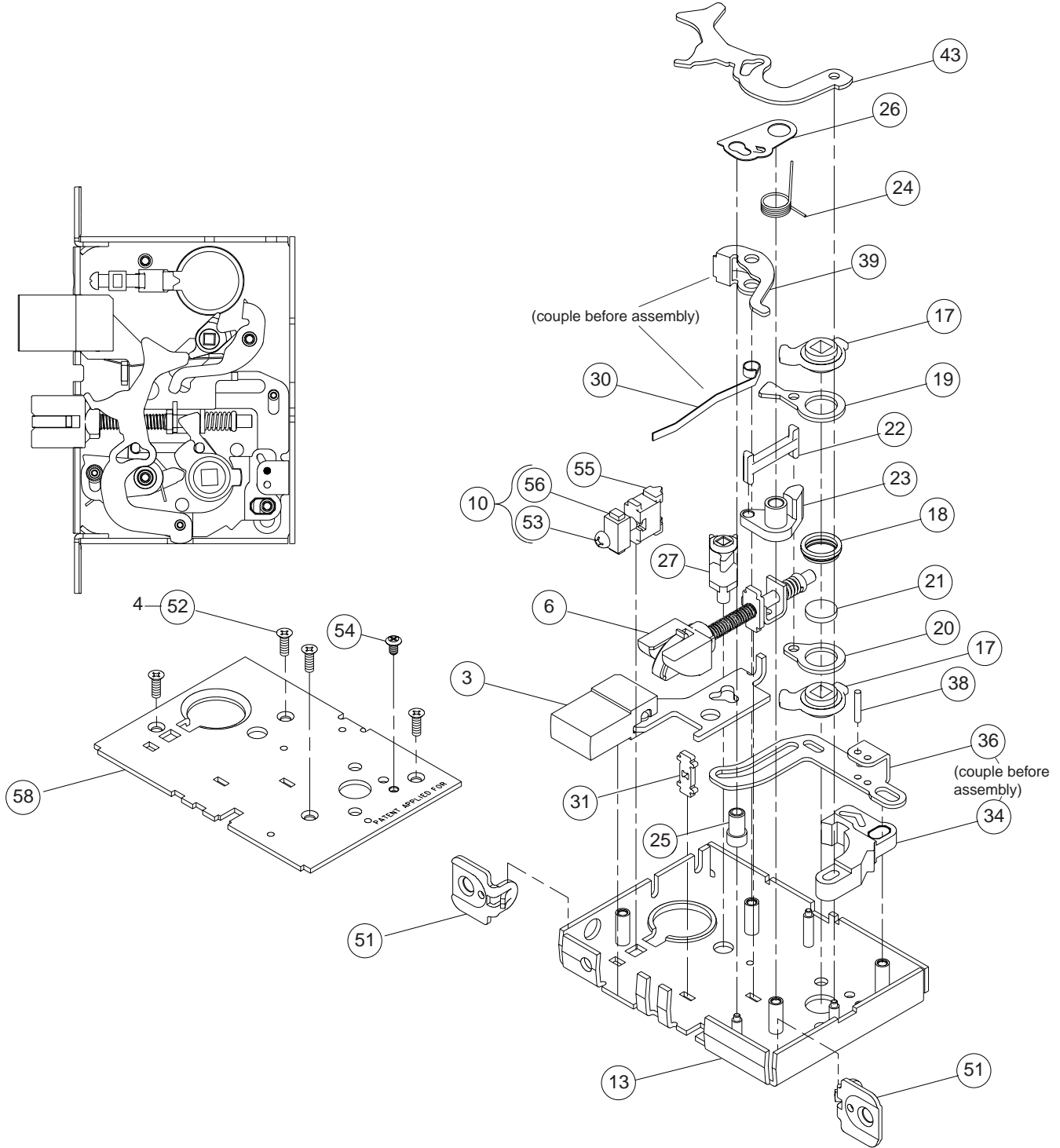


NOTE: Lock case assembly shown for LH and LHR doors. See page 105 for instructions on changing the lock hand.

Lock Case Assemblies

L9440, L9444

Assembled Lock Case L283-062

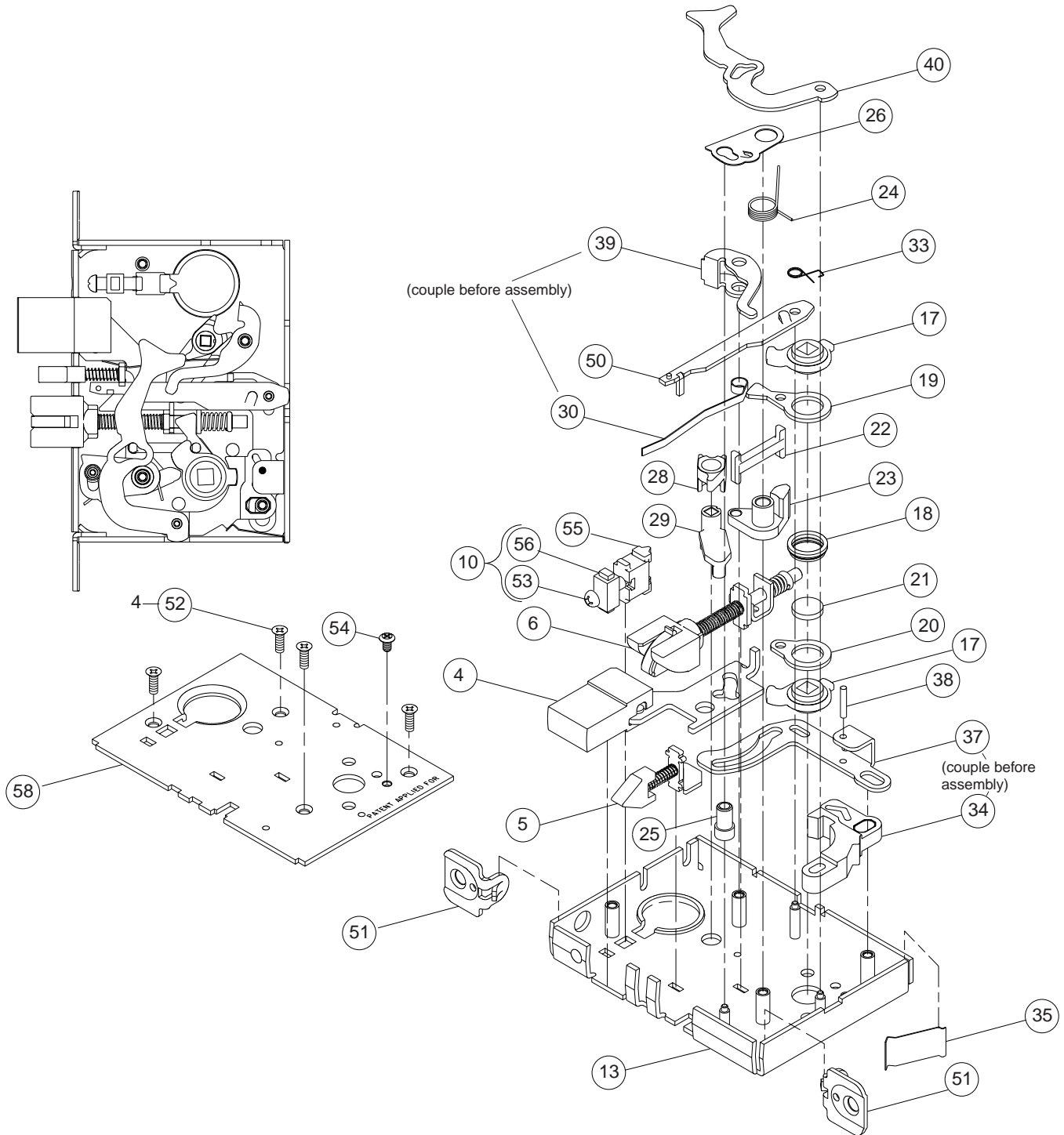


NOTE: Lock case assembly shown for LH and LHR doors. See page 105 for instructions on changing the lock hand.

Lock Case Assemblies

L9453

Assembled Lock Case L283-137

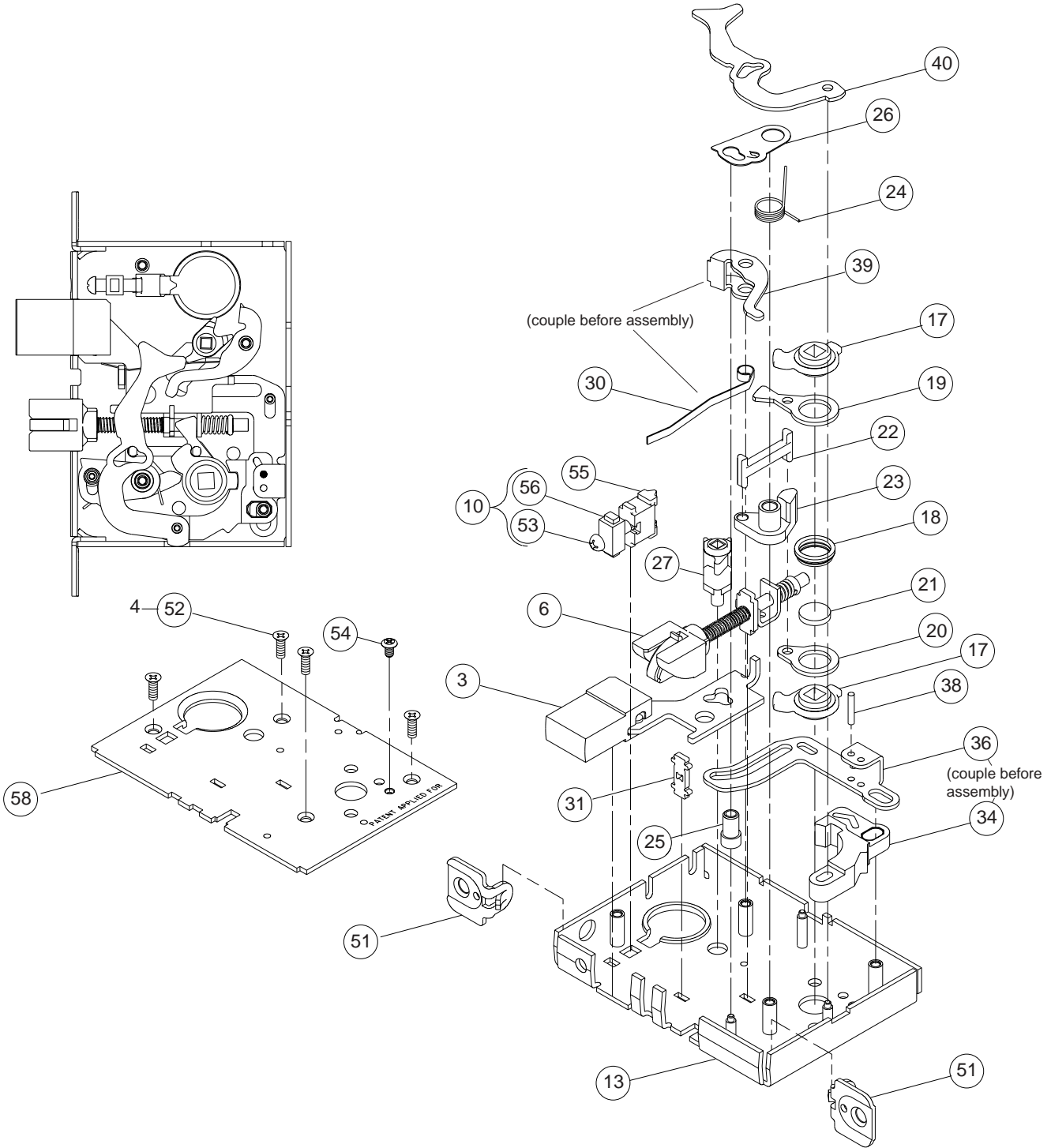


NOTE: Lock case assembly shown for LH and LHR doors. See page 105 for instructions on changing the lock hand.

Lock Case Assemblies

L9456, L9457, L9496

Assembled Lock Case L283-138

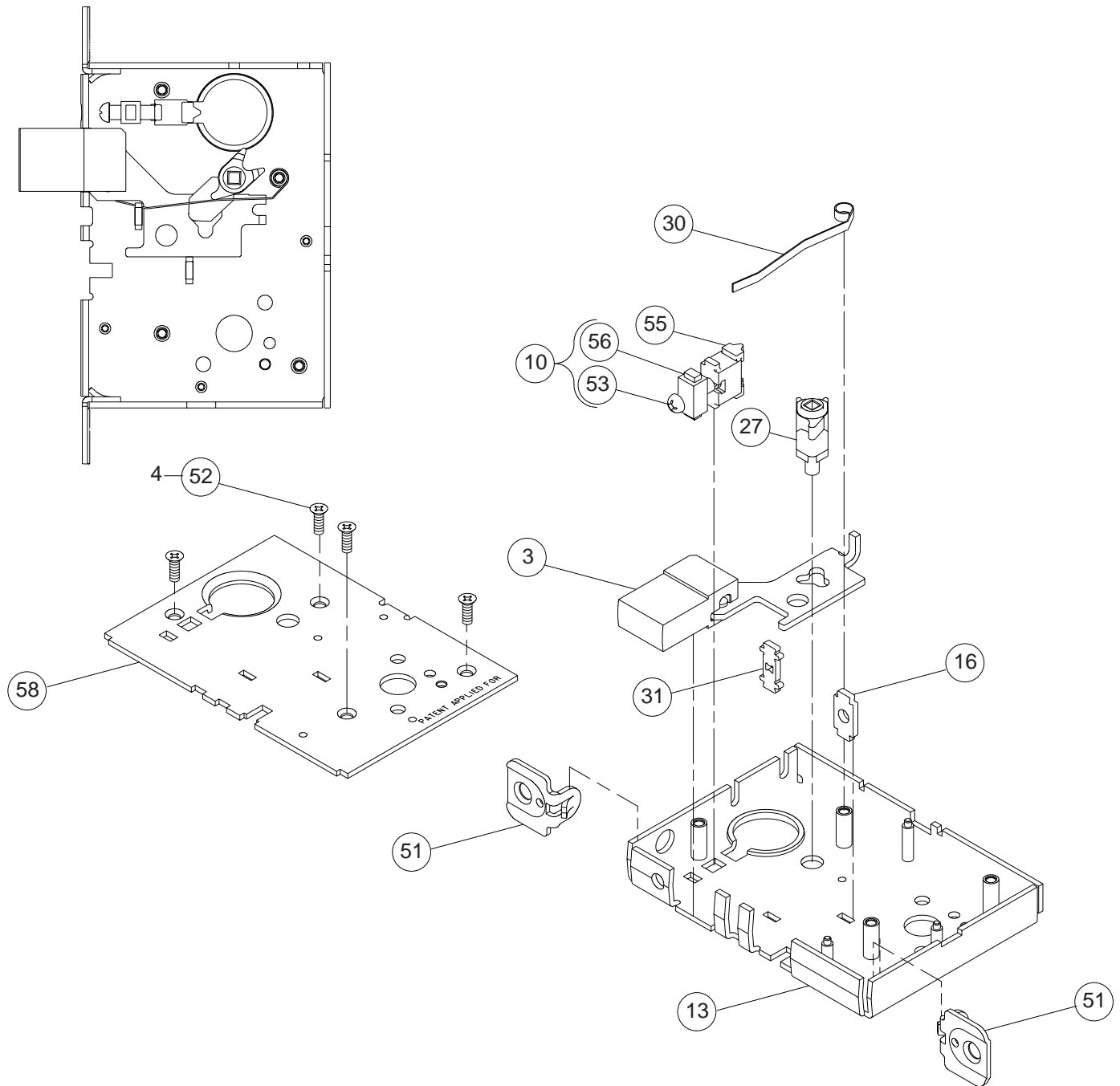


NOTE: Lock case assembly shown for LH and LHR doors. See page 105 for instructions on changing the lock hand.

Lock Case Assemblies

L9460, L9462, L9463, L9464

Assembled Lock Case L283-139

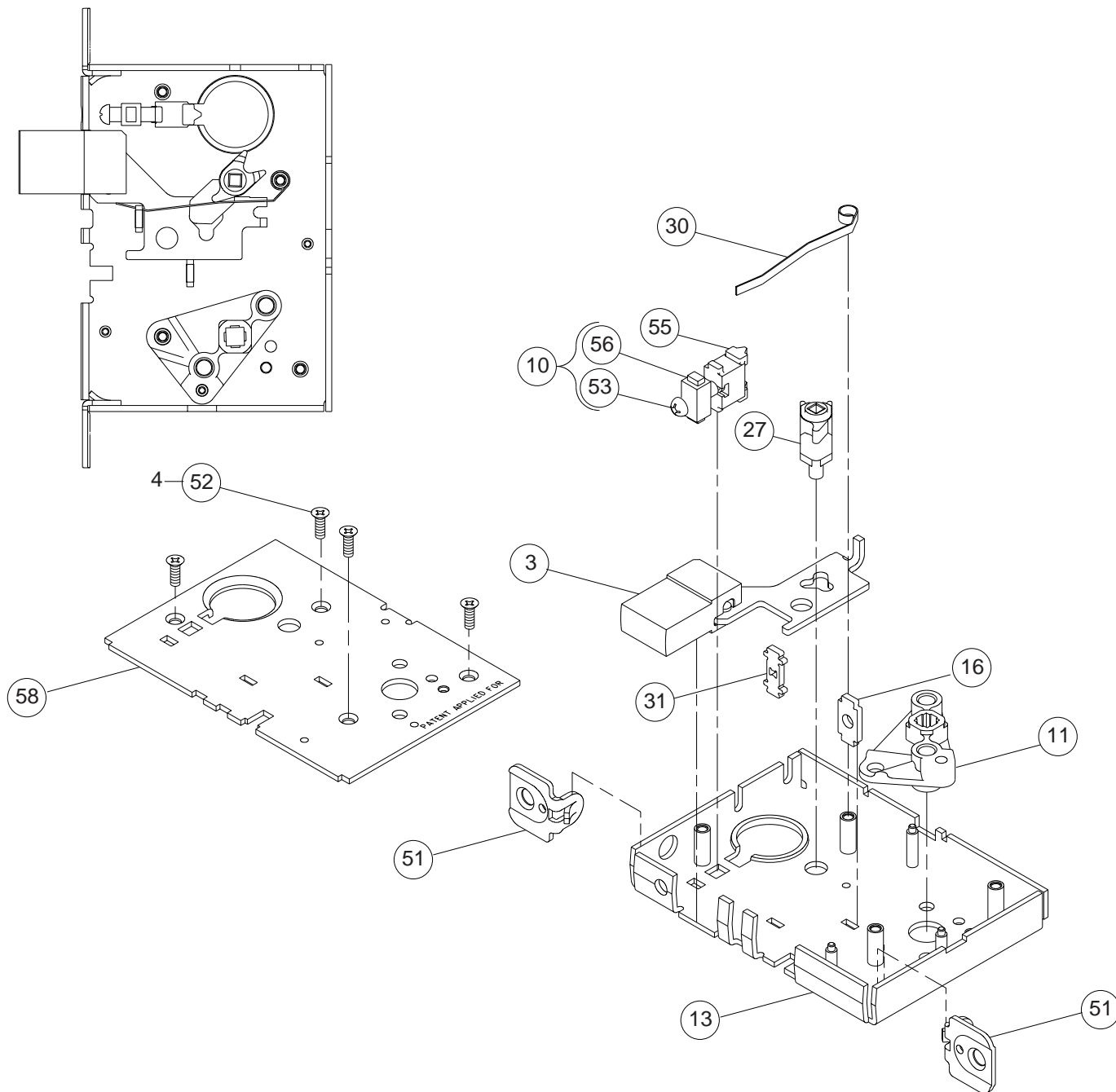


NOTE: Lock case assembly shown for LH and LHR doors. See page 105 for instructions on changing the lock hand.

Lock Case Assemblies

L9460/XL11-661

Assembled Lock Case XL11-635

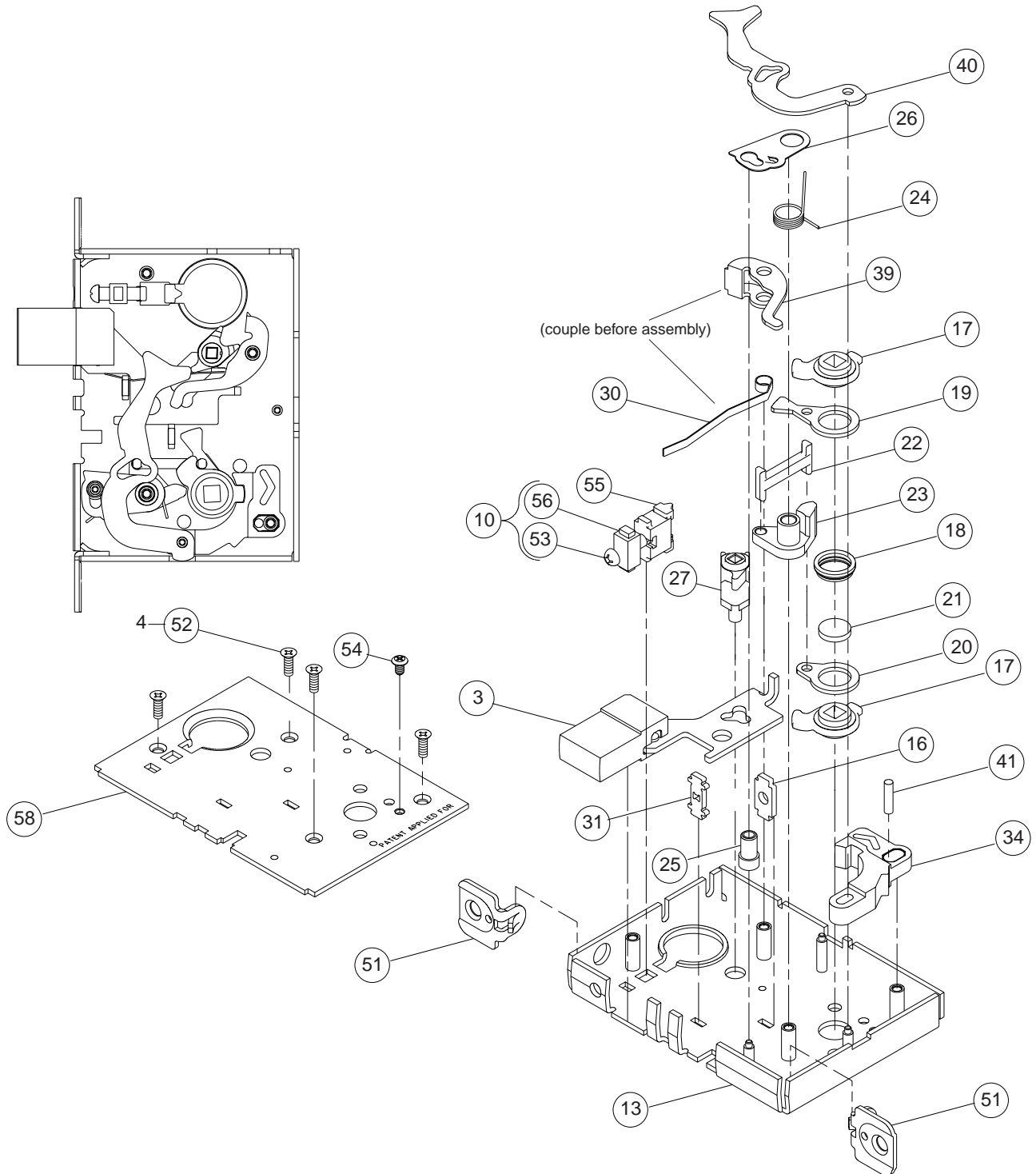


NOTE: Lock case assembly shown for LH and LHR doors. See page 105 for instructions on changing the lock hand.

Lock Case Assemblies

L9460/XL11-886, L9462/XL11-886, L9464/XL11-886

Assembled Lock Case XL11-886

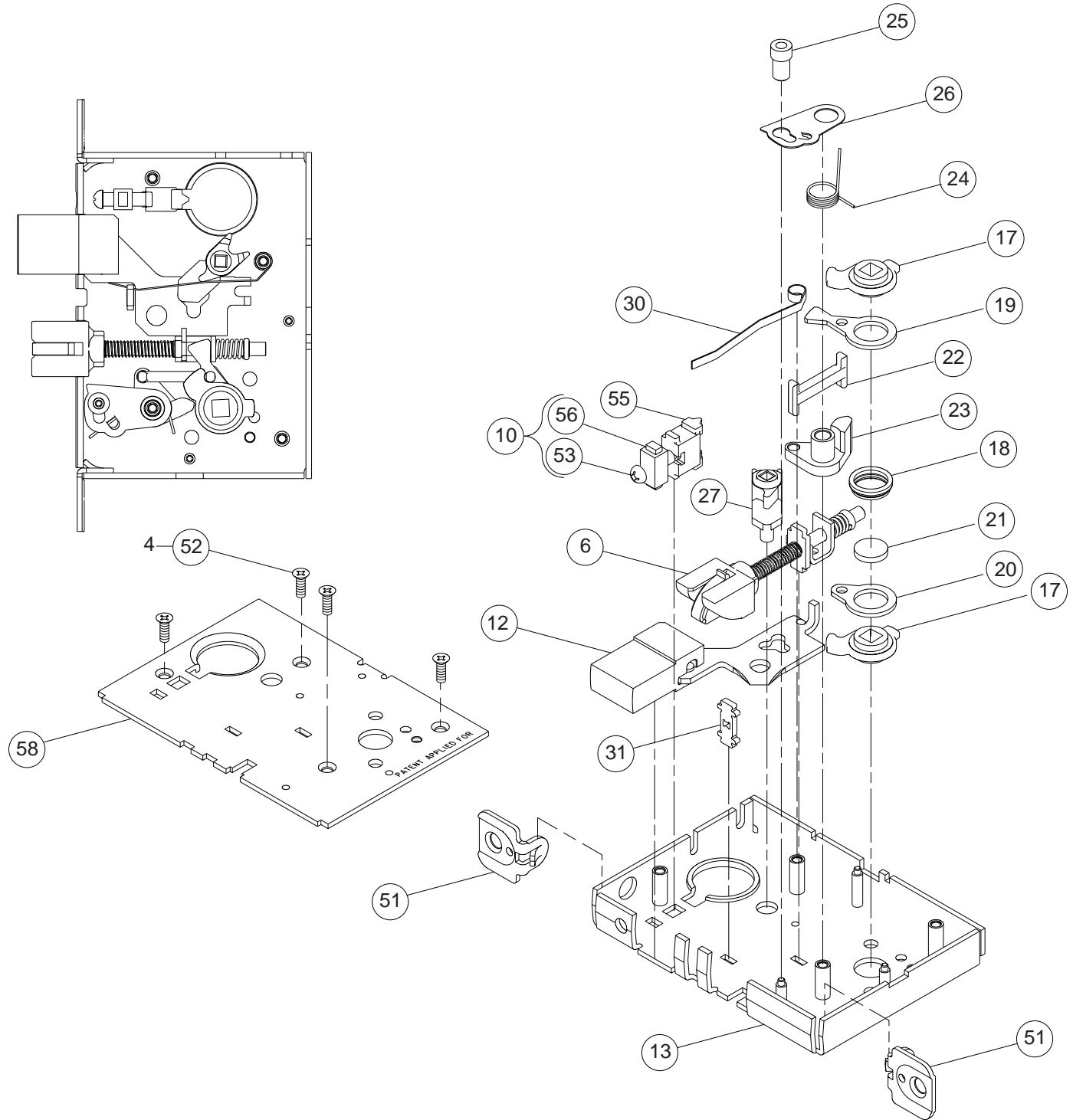


NOTE: Lock case assembly shown for LH and LHR doors. See page 105 for instructions on changing the lock hand.

Lock Case Assemblies

L9465, L9466, L9473

Assembled Lock Case L283-140

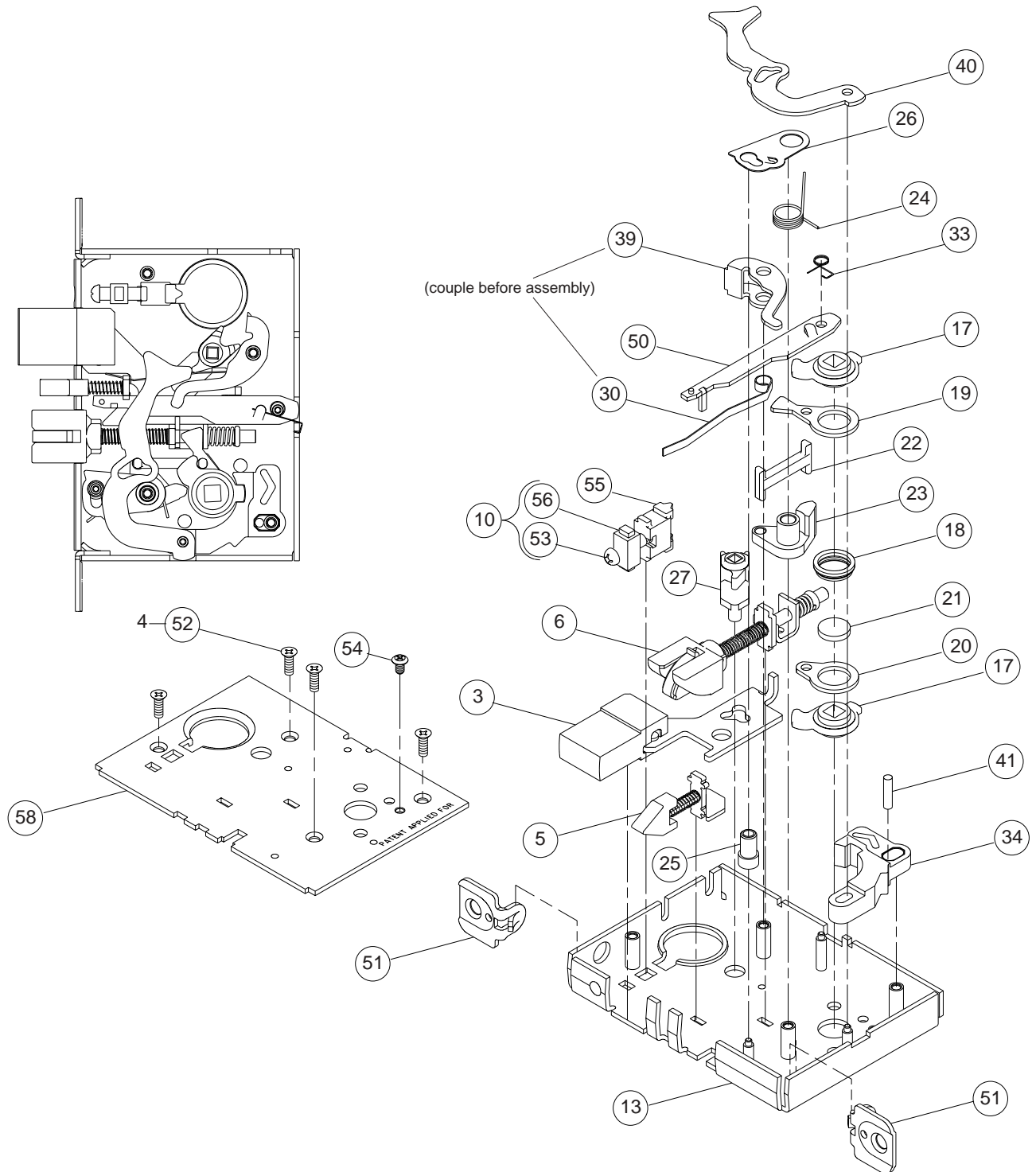


NOTE: Lock case assembly shown for LH and LHR doors. See page 105 for instructions on changing the lock hand.

Lock Case Assemblies

L9480, L9485, L9486, L9486 x L583-375

Assembled Lock Case L283-141

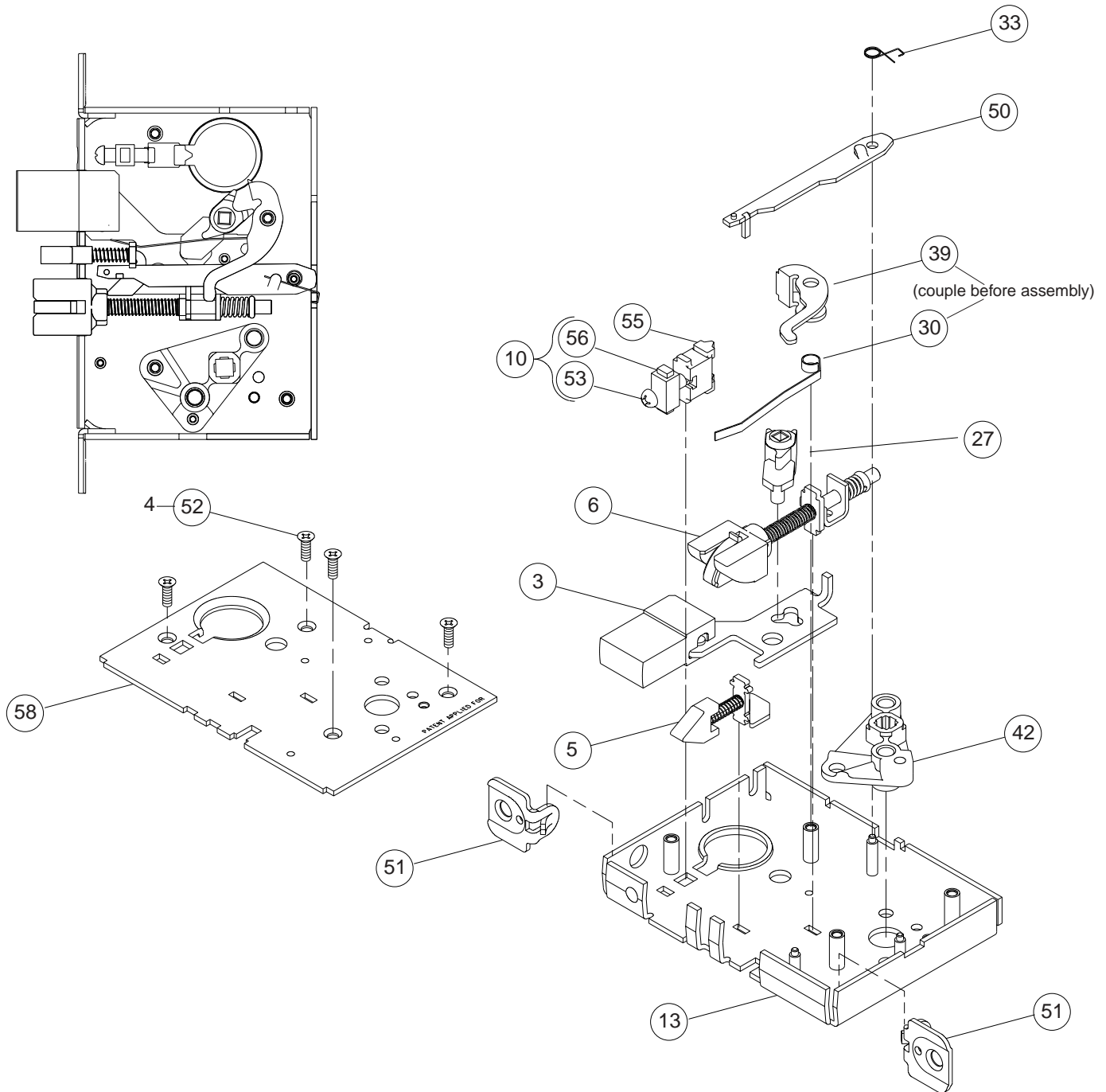


NOTE: Lock case assembly shown for LH and LHR doors. See page 105 for instructions on changing the lock hand.

Lock Case Assemblies

L9482/XL11-543

Assembled Lock Case XL11-543

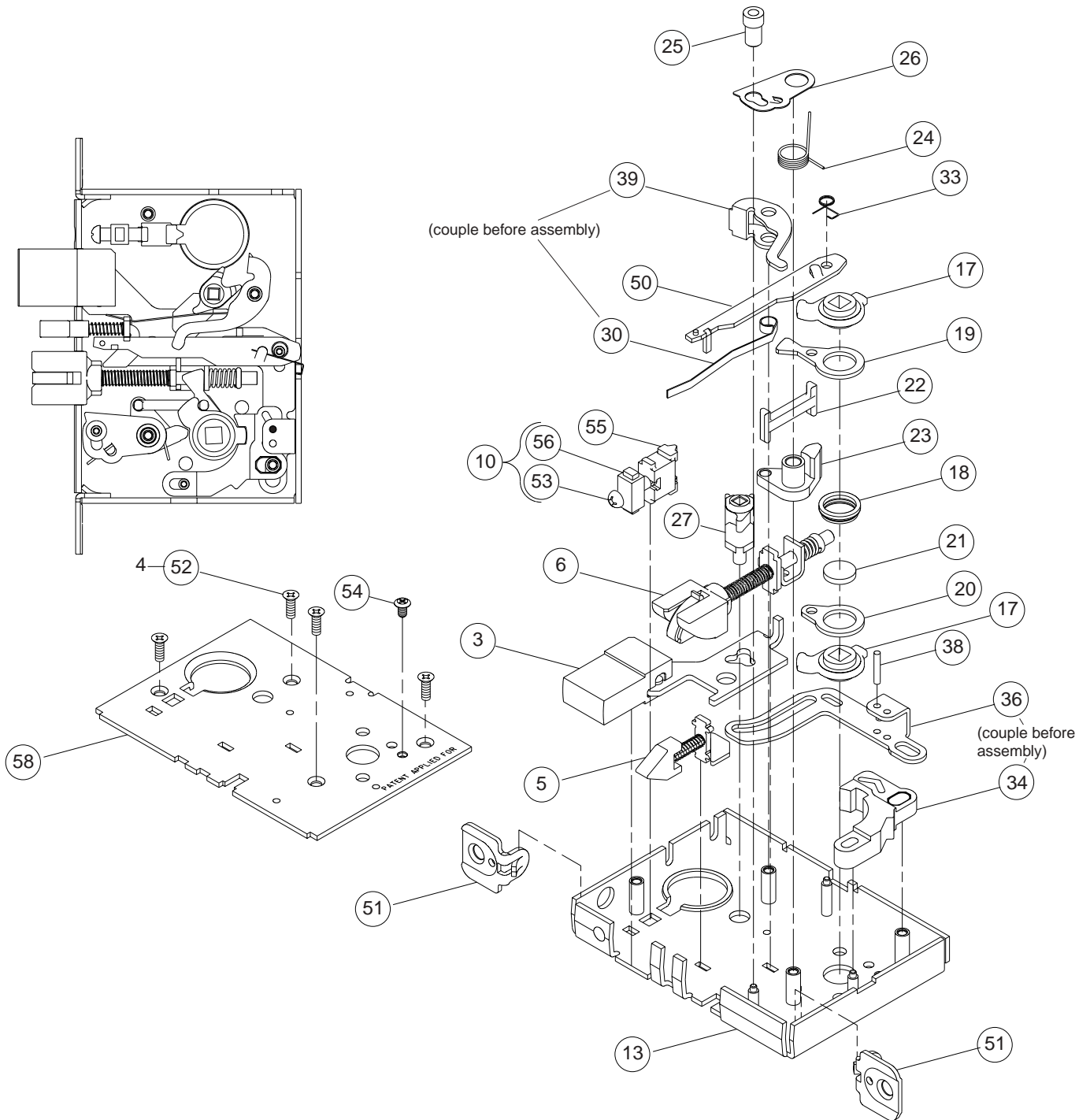


NOTE: Lock case assembly shown for LH and LHR doors. See page 105 for instructions on changing the lock hand.

Lock Case Assemblies

L9485/XL11-557

Assembled Lock Case XL11-557



NOTE: Lock case assembly shown for LH and LHR doors. See page 105 for instructions on changing the lock hand.

Lock Case Chart

Sym.	P/N	Description	L0170	L0172	L460	L462	L463	L464	L480	L496	L9010	L9040	L9040/XL11-446	L9044	L9050	L9056	L9060	L9070	L9071	L9076	L9077	L9080	L9080EL	L9080EU	L9080EL-RX	L9080EU-RX	L9082	L9082EL	L9082EU	L9110\XL11-471
1	36-080	EL: Lock O-Ring																												
2	K510-842	EL: Lock Bushing																												
3	L283-003	Deadbolt			•	•	•	•	•	•																				
4	L283-004	Entrance Deadbolt																												
5	L283-006	Auxiliary Latchbolt													•	•	•	•	•	•	•	•	•	•	•	•	•	•	•	•
6	L283-008	Latchbolt									•	•	•	•	•	•	•	•	•	•	•	•	•	•	•	•	•	•	•	•
7	L283-010	Locking Link																			•	•								
8	L283-049	Latchbolt																			•	•								
9	L283-053	Solenoid & Driver																						•	•	•	•	•	•	•
10	L283-055	Cylinder Plate & Screw			•	•	•	•	•	•					•	•	•	•	•	•	•	•	•	•	•	•	•	•	•	•
11	L283-063	Spindle Anchor																												
12	L283-075	Deadbolt																												
13	L283-112	L9000 Lock Case									•	•	•	•	•	•	•	•	•	•	•	•	•	•	•		•	•	•	•
14	L283-128	L400 Lock Case			•	•	•	•	•	•																				
15	L583-004	Standoff Post																					•	•	•	•	•	•	•	•
16	L583-015	Latchbolt Guide																												
17	L583-019	Retractor Hub									2	2	2	2	2	2	2	2	2	2	2	2	2	2	2	2	2	2	2	2
18	L583-020	Hub Spacer									•	•	•	•	•	•	•	•	•	•	•	•	•	•	•	•	•	•	•	•
19	L583-021	Retractor Lever									•	•	•	•	•	•	•	•	•	•	•	•	•	•	•	•	•	•	•	•
20	L583-022	Retractor Rocker									•	•	•	•	•	•	•	•	•	•	•	•	•	•	•	•	•	•	•	•
21	L583-023	Blocking Plate									•	•	•	•	•	•	•	•	•	•	•	•	•	•	•	•	•	•	•	•
22	L583-024	Retractor Link									•	•	•	•	•	•	•	•	•	•	•	•	•	•	•	•	•	•	•	•
23	L583-025	Retractor Crank									•	•	•	•	•	•	•	•	•	•	•	•	•	•	•	•	•	•	•	•
24	L583-026	Hub Spring									•	•	•	•	•	•	•	•	•	•	•	•	•	•	•	•	•	•	•	•
25	L583-027	Fire Door Fuse									•	•	•	•	•	•	•	•	•	•	•	•	•	•	•	•	•	•	•	•
26	L583-028	Fire Door Catch									•	•	•	•	•	•	•	•	•	•	•	•	•	•	•	•	•	•	•	•
27	L583-029	Turn Hub			•	•	•	•	•	•			•	•	•	•	•	•	•	•	•	•								
28	L583-030	Entrance Hub																												
29	L583-031	Cam Follower																												
30	L583-035	Turn Hub Spring			•	•	•	•	•	•			•	•	•	•	•	•	•	•	•	•								
31	L583-038	Auxiliary Bar Guide										•	•	•																

Lock Case Chart

Sym.	P/N	Description	L9175	L9176	L9177 (disc)	L9178 (disc)	L9410/XL11-742 (disc)	L9440	L9444	L9453	L9456	L9457	L9460	L9460 / XL11-635	L9460 / XL11-886	L9462	L9462 / XL11-886	L9463	L9464	L9464 / XL11-886	L9465	L9466	L9473	L9480	L9482 / XL11-543	L9485	L9485 / XL11-557	L9486	L9486 x L583-375	L9496		
			1	36-080	EL: Lock O-Ring																											
2	K510-842	EL: Lock Bushing																														
3	L283-003	Deadbolt					•	•	•		•	•	•	•	•	•	•	•	•	•	•				•	•	•	•	•	•	•	•
4	L283-004	Entrance Deadbolt								•																						
5	L283-006	Auxiliary Latchbolt								•															•	•	•	•	•	•	•	•
6	L283-008	Latchbolt						•	•	•	•	•											•	•	•	•	•	•	•	•	•	•
7	L283-010	Locking Link																														
8	L283-049	Latchbolt																														
9	L283-053	Solenoid & Driver																														
10	L283-055	Cylinder Plate & Screw					•			•	•	•	•	•	•	•	•	•	•	•	•	•	•	•	•	•	•	•	•	•	•	•
11	L283-063	Spindle Anchor	•		•									•																		
12	L283-075	Deadbolt																						•	•	•						
13	L283-112	L9000 Lock Case	•	•	•	•	•	•	•	•	•	•	•	•	•	•	•	•	•	•	•	•	•	•	•	•	•	•	•	•	•	•
14	L283-128	L400 Lock Case																														
15	L583-004	Standoff Post																														
16	L583-015	Latchbolt Guide					•						•	•	•	•	•	•	•	•	•											
17	L583-019	Retractor Hub					2	2	2	2	2	2		2		2					2	2	2	2	2	2	2	2	2	2	2	2
18	L583-020	Hub Spacer					•	•	•	•	•	•		•		•					•	•	•	•	•	•	•	•	•	•	•	•
19	L583-021	Retractor Lever					•	•	•	•	•	•		•		•					•	•	•	•	•	•	•	•	•	•	•	•
20	L583-022	Retractor Rocker					•	•	•	•	•	•		•		•					•	•	•	•	•	•	•	•	•	•	•	•
21	L583-023	Blocking Plate					•	•	•	•	•	•		•		•					•	•	•	•	•	•	•	•	•	•	•	•
22	L583-024	Retractor Link					•	•	•	•	•	•		•		•					•	•	•	•	•	•	•	•	•	•	•	•
23	L583-025	Retractor Crank					•	•	•	•	•	•		•		•					•	•	•	•	•	•	•	•	•	•	•	•
24	L583-026	Hub Spring					•	•	•	•	•	•		•		•					•	•	•	•	•	•	•	•	•	•	•	•
25	L583-027	Fire Door Fuse					•	•	•	•	•	•		•		•					•	•	•	•	•	•	•	•	•	•	•	•
26	L583-028	Fire Door Catch					•	•	•	•	•	•		•		•					•	•	•	•	•	•	•	•	•	•	•	•
27	L583-029	Turn Hub					•	•	•		•	•	•	•	•	•	•	•	•	•	•	•	•	•	•	•	•	•	•	•	•	•
28	L583-030	Entrance Hub								•																						
29	L583-031	Cam Follower									•																					
30	L583-035	Turn Hub Spring					•	•	•	•	•	•	•	•	•	•	•	•	•	•	•	•	•	•	•	•	•	•	•	•	•	•
31	L583-038	Auxiliary Bar Guide					•	•	•		•	•	•	•	•	•	•	•	•	•	•	•	•	•	•	•	•	•	•	•	•	•

Lock Case Chart

Sym.	P/N	Description	L0170	L0172	L460	L462	L463	L464	L480	L496	L9010	L9040	L9040/XL11-446	L9044	L9050	L9056	L9060	L9070	L9071	L9076	L9077	L9080	L9080EL	L9080EU	L9080EL-RX*	L9080EU-RX*	L9082	L9082EL	L9082EU	L9110\XL11-471		
32	L583-043	Locking Catch																														
33	L583-044	Stop Spring																														
34	L583-045	Locking Catch																														
35	L583-047	Catch Spring																														
36	L583-048	Locking Link																														
37	L583-049	Entrance Link																														
38	L583-050	Link Pin																														
39	L583-051	Transfer Lever																														
40	L583-053	Simultaneous Retractor																														
41	L583-056	Catch Pin																														
42	L583-057	Spindle Anchor																														
43	L583-058	Simultaneous Retractor																														
44	L583-063	Spring Retainer																														
45	L583-064	Solenoid Spring																														
46	L583-065	Electrified Link																														
47	L583-156	Transfer Lifter																														
48	L583-174	Holdback Dog																														
49	L583-192	Dog Spring																														
50	L583-196	Auxiliary Stop																														
51	L583-426	1 1/4" Faceplate Tab			2	2	2	2	2	2	2	2	2	2	2	2	2	2	2	2	2	2	2	2	2	2	2	2	2	2	2	
52	L583-454	Case Cover Screws			3	3	3	3	3	3	4	4	4	4	4	4	4	4	4	4	4	4	4	4	4	4	4	4	4	4	4	
53	L583-481	Cylinder Retainer Screw																														
54	L583-485	Lock Handling Screw																														
55	L583-490	Cylinder Retainer																														
56	L583-492	Screw Plate																														
57	L583-494	Lock Case Cover																														
58	L583-496	Lock Case Cover																														
59	L283-059 L283-125	RX Option* Closed Open																														

* For a Request to Exit function lock, order the normal assembled chassis per L283-059 for normally closed or L283-125 for normally open. See page 103 for graphic view of a request to exit lock case.

Lock Case Chart

Sym.	P/N	Description	L9175	L9176	L9177 (disc)	L9178 (disc)	L9410/XL11-742 (disc)	L9440	L9444	L9453	L9456	L9457	L9460	L9460 / XL11-635	L9460 / XL11-886	L9462	L9462 / XL11-886	L9463	L9464	L9464 / XL11-886	L9465	L9466	L9473	L9480	L9482 / XL11-543	L9485	L9485 / XL11-557	L9486	L9486 x L583-375	L9496		
			32	L583-043	Locking Catch																											
33	L583-044	Stop Spring								•														•	•	•	•	•	•	•	•	
34	L583-045	Locking Catch					•	•	•	•	•	•		•		•				•				•		•	•	•	•	•	•	
35	L583-047	Catch Spring								•															•							
36	L583-048	Locking Link					•	•			•	•																•			•	
37	L583-049	Entrance Link								•																						
38	L583-050	Link Pin					•	•	•	•	•	•																•			•	
39	L583-051	Transfer Lever					•	•	•	•	•	•		•		•				•				•	•	•	•	•	•	•	•	
40	L583-053	Simultaneous Retractor								•	•	•		•		•				•				•		•	•	•	•	•	•	
41	L583-056	Catch Pin												•		•				•				•		•		•		•	•	
42	L583-057	Spindle Anchor		•		•																				•						
43	L583-058	Simultaneous Retractor					•	•																								
44	L583-063	Spring Retainer																														
45	L583-064	Solenoid Spring																														
46	L583-065	Electrified Link																														
47	L583-156	Transfer Lifter																														
48	L583-174	Holdback Dog																														
49	L583-192	Dog Spring																														
50	L583-196	Auxiliary Stop								•															•	•	•	•	•	•	•	•
51	L583-426	1 1/4" Faceplate Tab	2	2	2	2	2	2	2	2	2	2	2	2	2	2	2	2	2	2	2	2	2	2	2	2	2	2	2	2	2	
52	L583-454	Case Cover Screws	4	4	4	4	4	4	4	4	4	4	4	4	4	4	4	4	4	4	4	4	4	4	4	4	4	4	4	4	4	
53	L583-481	Cylinder Retainer Screw					•	•	•	•	•	•	•	•	•	•	•	•	•	•	•	•	•	•	•	•	•	•	•	•	•	
54	L583-485	Lock Handing Screw					•	•	•	•	•	•		•		•				•				•		•	•	•	•	•	•	
55	L583-490	Cylinder Retainer					•	•	•	•	•	•	•	•	•	•	•	•	•	•	•	•	•	•	•	•	•	•	•	•	•	
56	L583-492	Screw Plate					•	•	•	•	•	•	•	•	•	•	•	•	•	•	•	•	•	•	•	•	•	•	•	•	•	
57	L583-494	Lock Case Cover																														
58	L583-496	Lock Case Cover	•	•	•	•	•	•	•	•	•	•	•	•	•	•	•	•	•	•	•	•	•	•	•	•	•	•	•	•	•	
59	L283-059 L283-125	RX Option* Closed Open																														

* For a Request to Exit function lock, order the normal assembled chassis per L283-059 for normally closed or L283-125 for normally open. See page 103 for graphic view of a request to exit lock case.

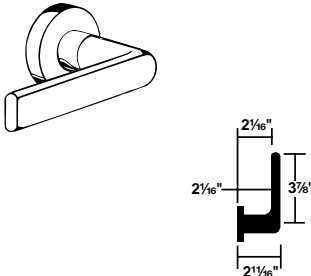
Lock Case Compatibility Chart

	L283-005 Cylinder Anchor Assembly	L583-046 Lock Handing Screw	L583-046 Faceplate Tab Screw	L583-006 L583-007 Faceplate Tab	L583-452 Lock Case Cover	L283-080 Lock Case	L583-480/481/482 Cylinder Retainer Assembly	L583-485 Lock Handing Screw	L583-426 L583-427 Faceplate Tab	L583-484 Lock Case Cover	L283-130 Lock Case (4-1-94)	L283-130 Lock Case (7-15-94)
L283-005 Cylinder Anchor Assembly					•	•						
L583-046 Lock Handing Screw					•	•						
L583-046 Faceplate Tab Screw				•		•					•	
L583-006 L583-007 Faceplate Tab			•			•					•	
L583-452 Lock Case Cover	•	•				•						
L283-080 Lock Case	•	•	•	•	•							
L583-480/481/482 Cylinder Retainer Assembly										•	•	•
L583-485 Lock Handing Screw										•	•	•
L583-426 L583-427 Faceplate Tab												•
L583-484 Lock Case Cover							•	•			•	•
L283-130 Lock Case (4-1-94)			•	•			•	•		•		
L283-130 Lock Case (7-15-94)							•	•	•	•		

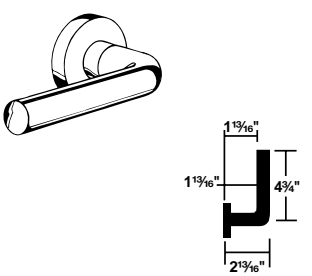
Rose Trim A or B

Cast or Forged Lever Designs

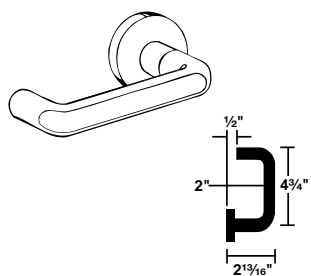
01 Available in: 625, 626, 630



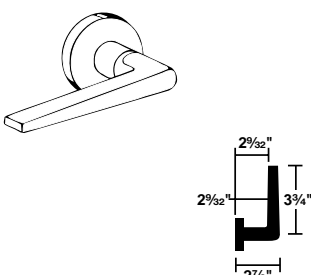
02 Available in: 625, 626, 630



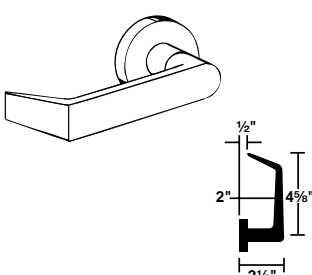
03 Available in: 605, 606, 612, 613, 625, 626, 629, 630



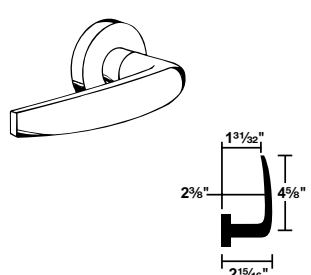
05 Available in: 625, 626, 630



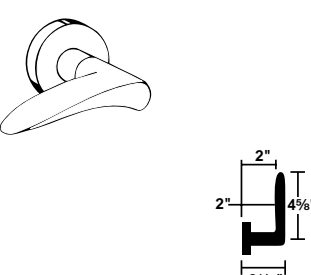
06 Available in: 605, 606, 612, 613, 625, 626, 629, 630



07 Available in: 605, 606, 612, 613, 625, 626, 629, 630

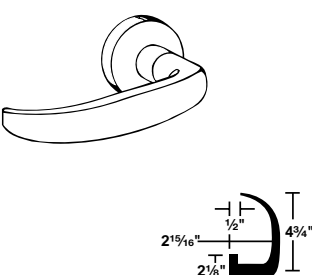


12 Available in: 605, 606, 612, 613, 625, 626, 629, 630

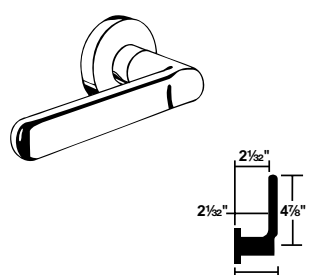


SPECIFY DOOR HAND

17 Available in: 605, 606, 612, 613, 625, 626, 629, 630

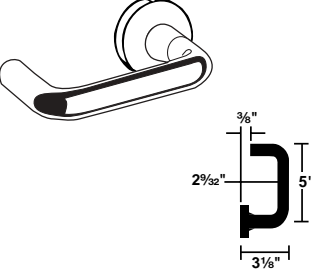


18 Available in: 625, 626, 630



Bent Extruded Bar Lever Design

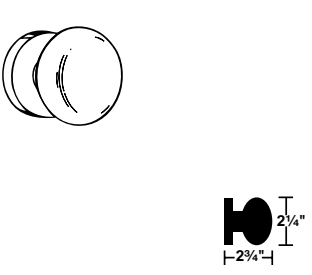
93 Available in: 605, 606, 612, 613, 625, 626, 629, 630



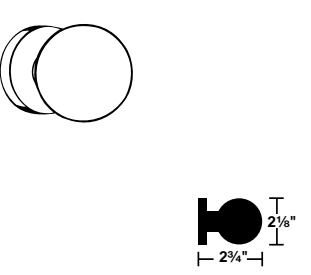
Wrought Knob Designs

(Available in Distributor Pack Only)

41 Available in: 605, 606, 612, 613, 625, 626, 629, 630

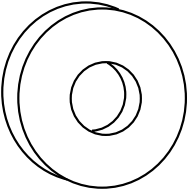


42 Available in: 605, 606, 612, 613, 625, 626, 629, 630



Rose Trim A or B

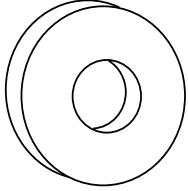
Inside Rose

09-403		Available
		in:
		605
		606
		612
		613
		625
		626
		629
		630

Design A – 2 1/8" dia. x 1 3/32"
Design B – 2 9/16" dia x 1 3/32"

Furnished with mounting plate and screws.

Blank Outside Rose

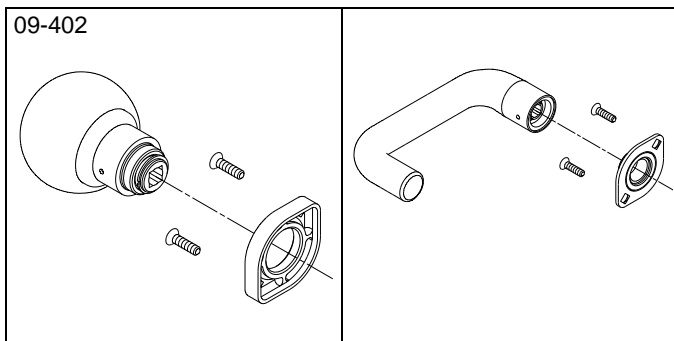
09-508		Available
		in:
		605
		606
		612
		613
		625
		626
		629
		630

Design A – 2 1/8" dia. x 1 3/32"
Design B – 2 9/16" dia x 1 3/32"

Used to mount inside rose trim on doors prepared for trim both sides.

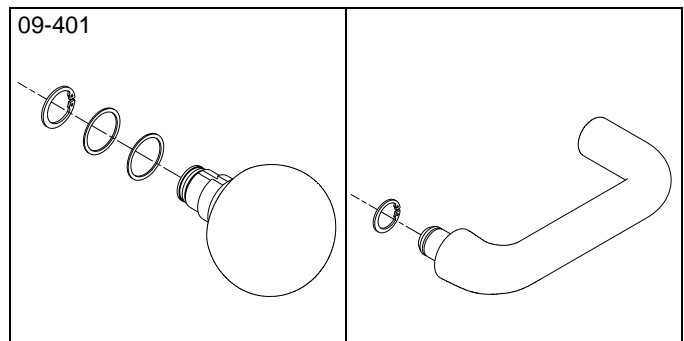
Inside Knob/Lever Assembly

(Bushing attached at factory)



Furnished with spanner wrench. For available designs and finishes, see page 71.

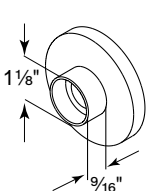
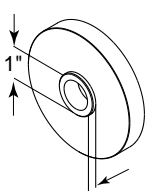
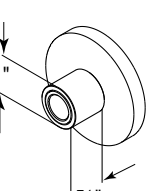
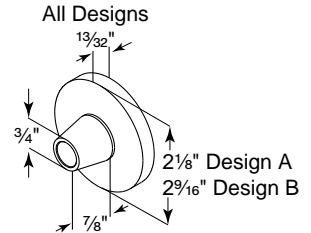
Outside Knob/Lever Assembly



Furnished with retainer seating tool. For available designs and finishes, see page 71.

Outside Rose Dimensions

(Bushing attached at factory)

Knob/Lever Design		A	B	C	D
A	41, 42				
B	22 (obsolete)				
C	01, 02, 03, 05, 06, 07, 12, 17, 18				
D	93				
	AVA (obsolete)				
	AST, MER				

09-404 For available designs and finishes, see page 71. AST and MER designs available in 605 and 626 only.

NOTE: When ordering trim parts, specify the complete design and finish. (e.g. 09-402 01A 605)

L Escutcheon Trim

Cast or Forged Lever Designs

01L Available in:
625
626
630

02L Available in:
625
626
630

03L Available in:
605
606
612
613
625
626
629
630

05L Available in:
625
626
630

06L Available in:
605
606
612
613
625
626
629
630

07L Available in:
605
606
612
613
625
626
629
630

12L Available in:
605
606
612
613
625
626
629
630

SPECIFY DOOR HAND

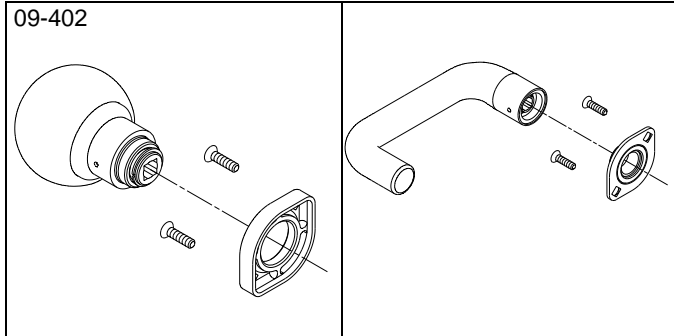
17L Available in:
605
606
612
613
625
626
629
630

18L Available in:
625
626
630

L Escutcheon Trim

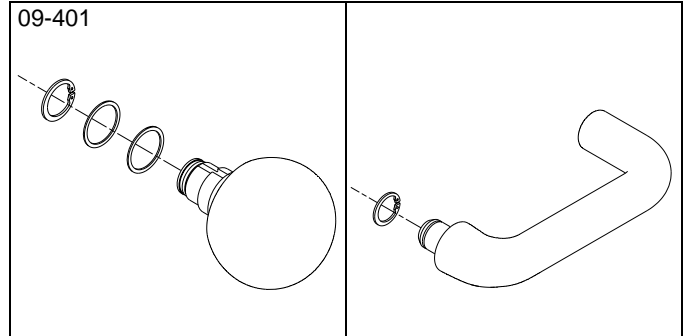
Inside Knob/Lever Assembly

(Bushing attached at factory)



Furnished with spanner wrench. For available designs and finishes, see page 73.

Outside Knob/Lever Assembly



Furnished with retainer seating tool. For available designs and finishes, see page 73.

Outside L Escutcheon Dimensions

(Bushing attached at factory)

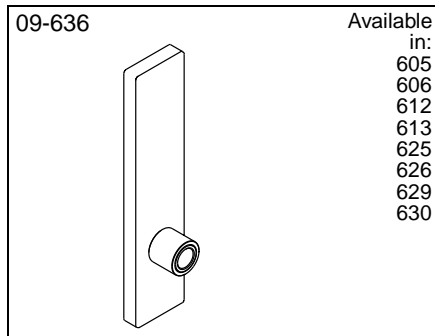
Knob/Lever Design		A	B	C	D
A	41*, 42*				
B	22 (obsolete)				
C	01, 02, 03, 05, 06, 07, 12, 17, 18				
D	AST AVA (obsolete) MER				

For available designs and finishes, see page 73.
* Available in the Distributor Pack only.

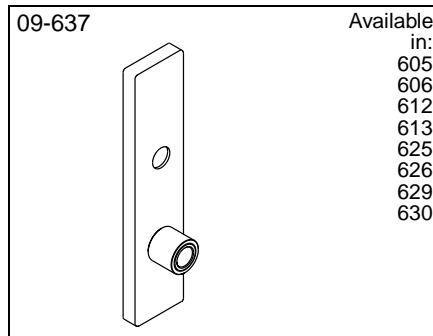
NOTE: When ordering trim parts, specify the complete design and finish. (e.g. 09-402 03L 605)

L Escutcheon Trim

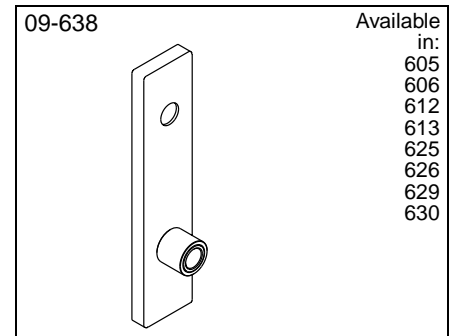
Outside Escutcheons



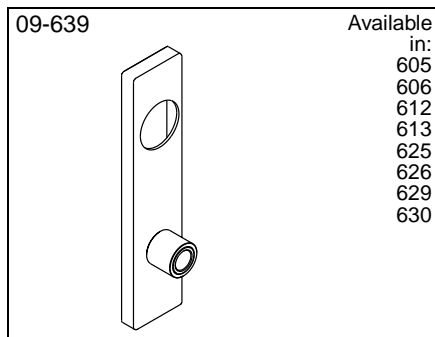
Outside Blank x Knob/Lever.
Specify 09-636 or 09-550 with knob/lever.



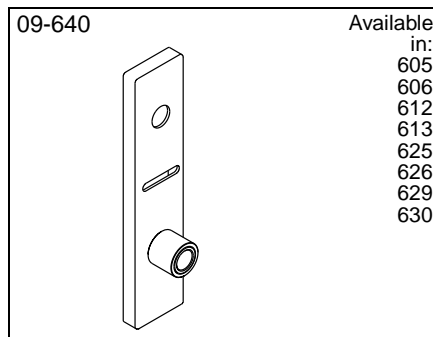
EmergencyTurn x Knob/Lever.
Specify 09-637 or 09-551 with knob/lever.



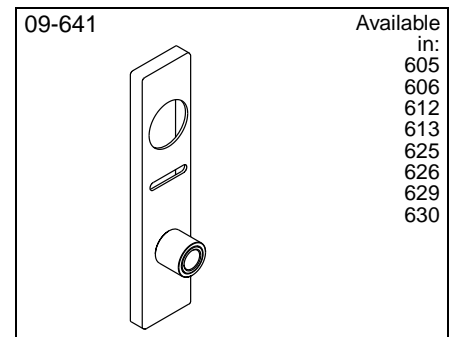
Concealed Cylinder x Knob/Lever.
Specify 09-638 or 09-552 with knob/lever.



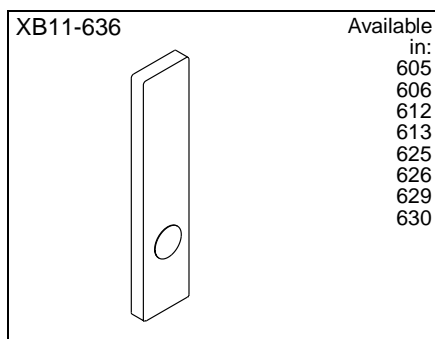
Full Face Cylinder Knob/Lever.
Specify 09-639 or 09-553 with knob/lever.



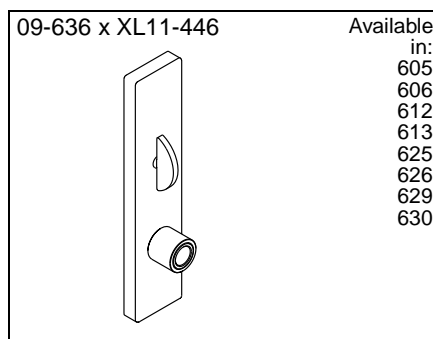
Concealed Cylinder with Indicator x Knob/
Lever. Specify 09-640 or 09-554 with knob/
lever. To order "Occupied" sign, specify
L583-375.



Full Face Cylinder with Indicator x Knob/
Lever. Specify 09-641 or 09-555 with knob/
lever. To order "Occupied" sign, specify
L583-375.



Blank Outside.
Specify XL11-636 OOL and finish.



Outside with Thumbturn x Knob/Lever for
L9040 x XL11-446 function lock.
Not sold separately as a part.

NOTE: When ordering trim parts, specify the complete design and finish (e.g. 09-636 01L 605).

L Escutcheon Trim

Inside Escutcheons

09-632	Available in: 605 606 612 613 625 626 629 630	
--------	--	--

Blank x Knob/Lever.

09-633	Available in: 605 606 612 613 625 626 629 630	
--------	--	--

Thumbturn x Knob/Lever.
Specify door thickness: 1³/₈" or 1³/₄".
Available with EZ Turn (ADA). (See "Trim Options" page 81)

09-634	Available in: 605 606 612 613 625 626 629 630	
--------	--	--

Thumbturn x Blank.
Specify door thickness: 1³/₈" or 1³/₄".
Available with EZ Turn (ADA). (See "Trim Options" page 81)

09-635	Available in: 605 606 612 613 625 626 629 630	
--------	--	--

Full Face Cylinder x Knob/Lever.

L583-187	Available in: 605 606 612 613 625 626 629 630	
----------	--	--

Concealed Cylinder x Knob/Lever.

XB11-634	Available in: 605 606 612 613 625 626 629 630	
----------	--	--

Blank Inside.
Specify XL11-634 OOL and finish.

NOTE: When ordering trim parts, specify the complete design and finish (e.g. 09-632 01L 605).

N Escutcheon Trim

Cast or Forged Lever Designs

01N Available in: 625, 626, 630

02N Available in: 625, 626, 630

03N Available in: 605, 606, 612, 613, 625, 626, 629, 630

05N Available in: 625, 626, 630

06N Available in: 605, 606, 612, 613, 625, 626, 629, 630

07N Available in: 605, 606, 612, 613, 625, 626, 629, 630

12N Available in: 605, 606, 612, 613, 625, 626, 629, 630

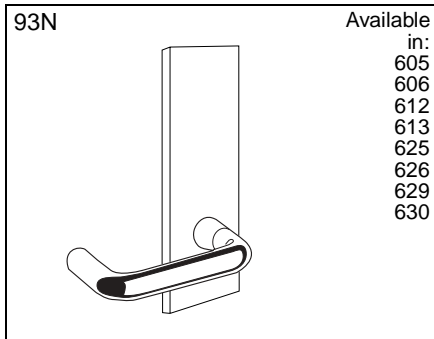
SPECIFY DOOR HAND

17N Available in: 605, 606, 612, 613, 625, 626, 629, 630

18N Available in: 625, 626, 630

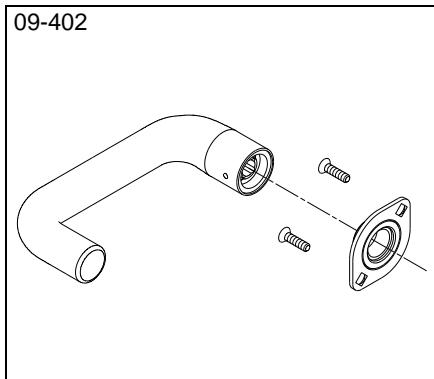
N Escutcheon Trim

Bent Extruded Bar Lever Designs



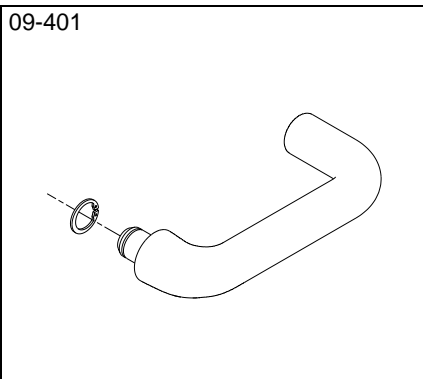
Inside Lever Assembly

(Bushing attached at factory)



Furnished with spanner wrench. For available designs and finishes, see page 77.

Outside Lever Assembly



Furnished with retainer seating tool. For available designs and finishes, see page 77.

Outside N Escutcheon Dimensions

(Bushing attached at factory)

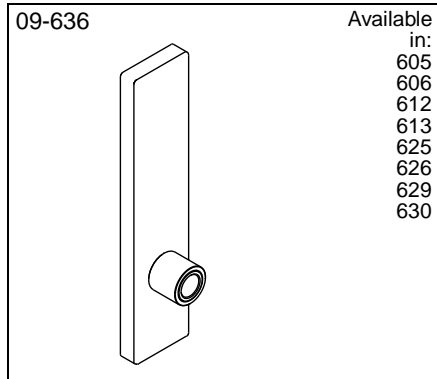
Lever Design		A	B
A	01, 02, 03, 05, 06, 07, 12, 17, 18		
B	93		

8" x 2⁹/₁₆" x 7/₁₆" Brass or Stainless Steel Base Material.

NOTE: When ordering trim parts, specify the complete design and finish (e.g. 09-402 03N 605).

N Escutcheon Trim

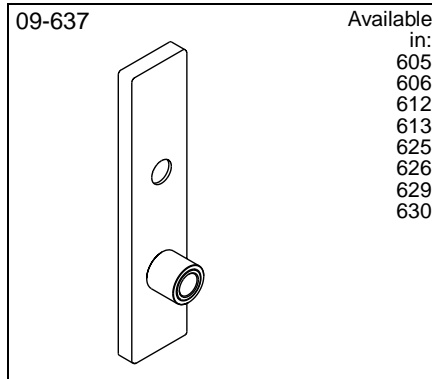
Outside Escutcheons



09-636

Available in:
605
606
612
613
625
626
629
630

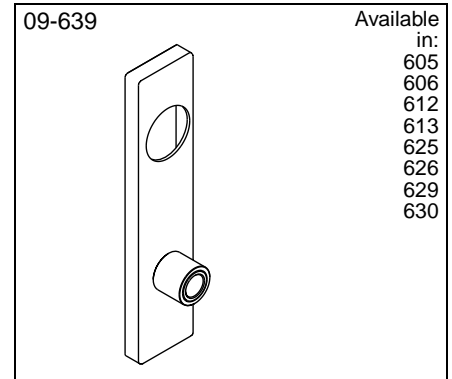
Blank x Knob/Lever.
09-636 with knob/lever
09-550 except 93N or
09-650 for 93N



09-637

Available in:
605
606
612
613
625
626
629
630

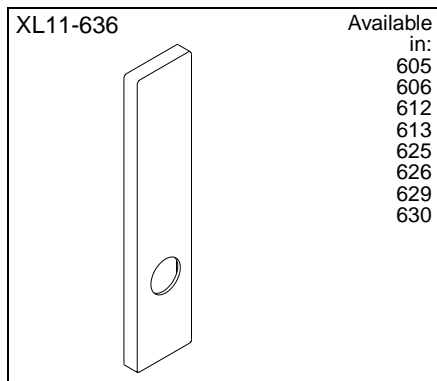
Emergency Turn x Knob/Lever.
09-637 with knob/lever
09-551 except 93N or
09-651 for 93N



09-639

Available in:
605
606
612
613
625
626
629
630

Full Face Cylinder x Knob/Lever.
09-639 with knob/lever
09-553 except 93N o
09-652 for 93N

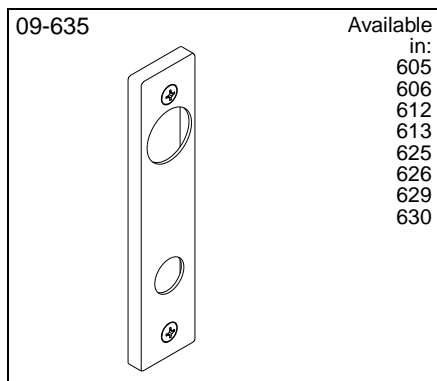


XL11-636

Available in:
605
606
612
613
625
626
629
630

Blank Outside.
Specify XL11-636 00N and finish.

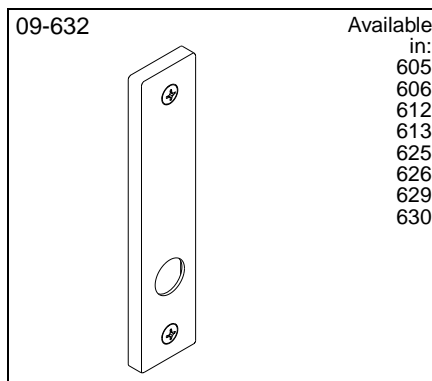
Inside Escutcheons



09-635

Available in:
605
606
612
613
625
626
629
630

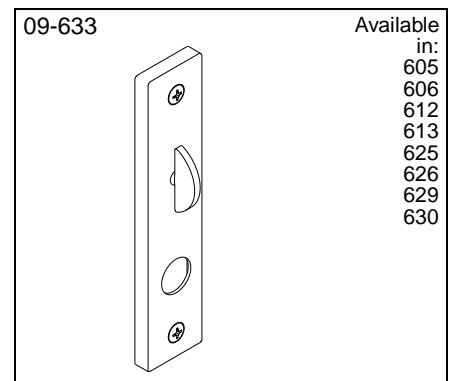
Full Face Cylinder Knob/Lever.
Includes two (2) screws.



09-632

Available in:
605
606
612
613
625
626
629
630

Blank x Knob/Lever.
Includes two (2) screws.



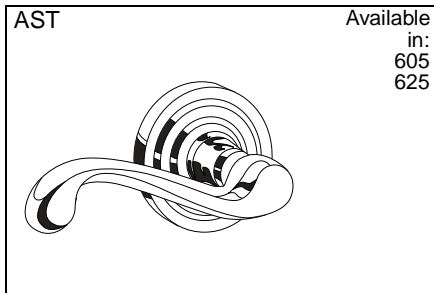
09-633

Available in:
605
606
612
613
625
626
629
630

Thumbturn x Knob/Lever.
Specify door thickness: 1 $\frac{3}{8}$ " or 1 $\frac{3}{4}$ ".
Includes two (2) screws.

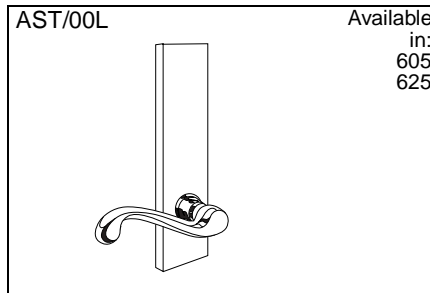
Mediterranean Trim

Lever, Rose, and Escutcheon Designs



Available
in:
605
625

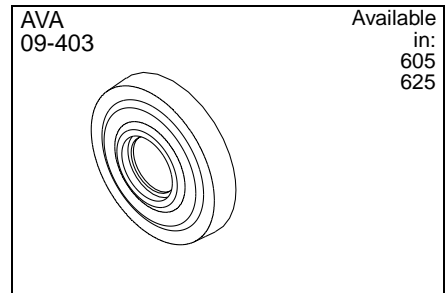
Asti Lever with Rose.



AST/00L

Available
in:
605
625

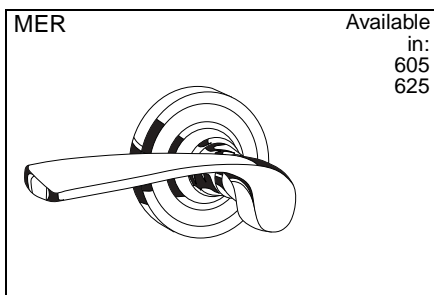
Asti Lever with L Escutcheon.



AVA
09-403

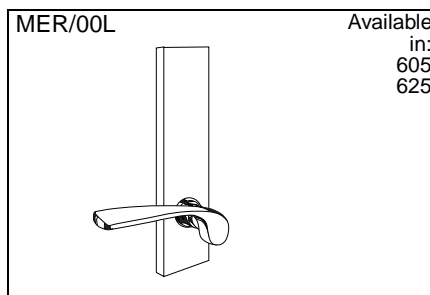
Available
in:
605
625

Asti Rose.



Available
in:
605
625

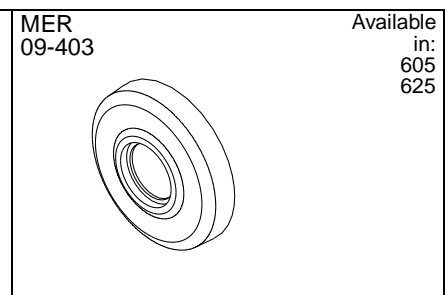
Merano Lever with Rose.



MER/00L

Available
in:
605
625

Merano Lever with L Escutcheon.

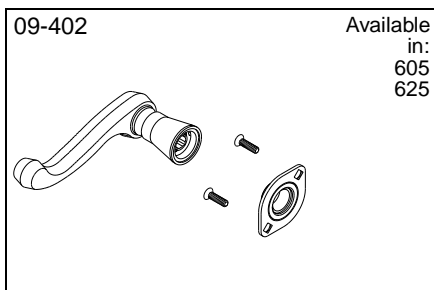


MER
09-403

Available
in:
605
625

Merano Rose.

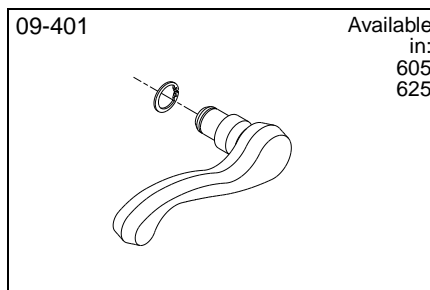
Inside Lever Assembly (Bushing attached at factory)



Available
in:
605
625

Furnished with spanner wrench.

Outside Lever Assembly



09-401

Available
in:
605
625

Furnished with retainer seating tool.

Outside Rose or Escutcheon Dimensions

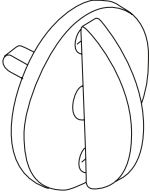
(Bushing attached at factory)

Lever Design		A	B	Available in:
A	AST (AVA rose) MER (MER rose)	<p>2⁹/₁₆" Dia. x 7¹⁶/₁₆" Forged</p>	<p>8" x 1³/₄" x 7¹⁶/₁₆" Forged</p>	605
B	AST/00L or MER/00L (L Escutcheon)			606
				612
				613
				625
				626
				629
				630

09-404 Rose or 09-506 with knob/lever.

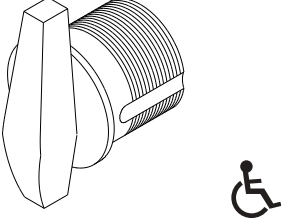
Trim Options

Thumbturn

	09-509	Available in:
		605
		606
		612
		613
		625
		626
		629
	630	

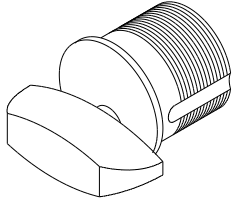
Thumbturn for deadbolt functions and privacy locks with rose trim. Specify finish and door thickness.

ADA Cylinder Turn

	XB11-720	Available in:
		605
		606
		612
		613
		625
		626
		629
	630	

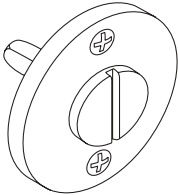
Available with L463 and L9463 locks. Specify per XB11-720, dimension, finish, and door hand. When ordered alone, specify either 09-900, 09-904, 09-905, or 08-907 per XB11-720. Include dimension, finish, and door hand.

Cylinder Turn

	09-900	Available in:
		605
		606
		613
		625
		626
		629
		630

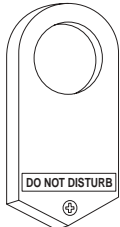
09-900 through 09-907 Cylinder (Classroom) turns are furnished with L463 and L9463 locks. Specify dimension, finish, and door hand. For instructions on changing hand, see "L9000-Series Installation Sheet— Page 6" on pag e111.

Coin Turn

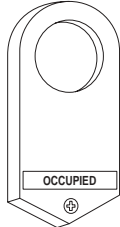
	L283-124	Available in:
		605
		606
		625
		626
		*629
		*630

L283-124 Coin turn for rose trim. Specify finish and door thickness. Available with Trox screws, specify L283-056.
* 629 =Turn 625, Rose 629
* 630 =Turn 626, Rose 630

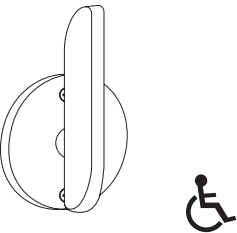
"Do Not Disturb" Indicator

	09-611	Available in:
		605
		606
		612
		613
		625
		626
		629
	630	

"Occupied" Indicator

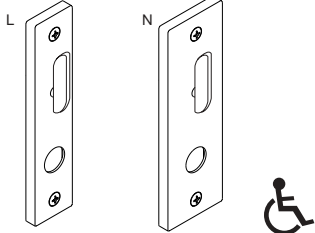
	09-611 x L583-375	Available in:
		605
		606
		612
		613
		625
		626
		629
	630	

"EZ" Thumbturn for Rose Trim

	09-509 per L583-363*	Available in:
		605
		606
		612
		613
		625
		626
		629
	630	


Available with all thumbturn functions except L9463 and L463.

Thumbturn x Knob/Lever with "EZ" Turn

	09-633 per L583-363*	Available in:
		605
		606
		612
		613
		625
		626
		629
	630	

Not available for L9463 functions.

Thumbturn x blank with "EZ" Turn

	09-634 per L538-363*	Available in:
		605
		606
		612
		613
		625
		626
		629
	630	

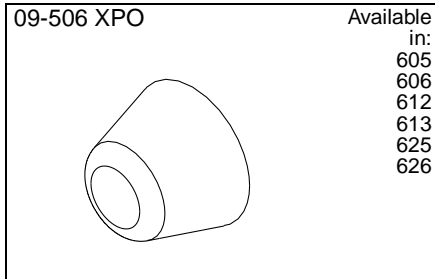
Not available for L9463 functions.

* EZ turn is not available on doors less than 1 5/8" thick.

NOTE: When ordering trim parts, specify the complete design and finish (e.g. 09-633 03L 605).

Trim Options

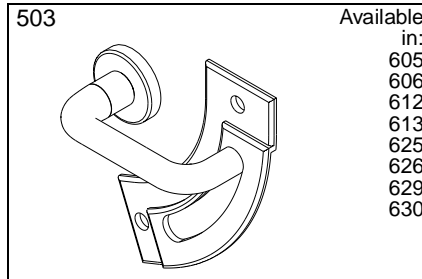
Cast XPO Prison Knob and Rose (discontinued)



09-506 XPO

Available
in:
605
606
612
613
625
626

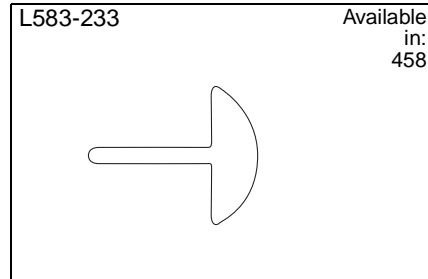
Modified Outside 03 Lever for Emergency Turn Folger Adam Lever Trak



503

Available
in:
605
606
612
613
625
626
629
630

09-401, 09-402, or 09-506 per 503.
Available for rose trim only. LeverTrak is not included.

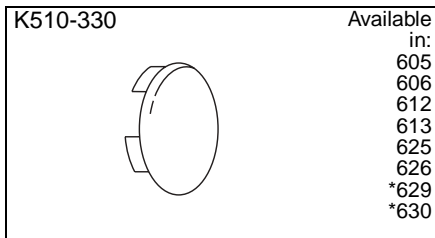


L583-233

Available
in:
458

Furnished with L9040 and L9440 functions.

Emergency Button



K510-330

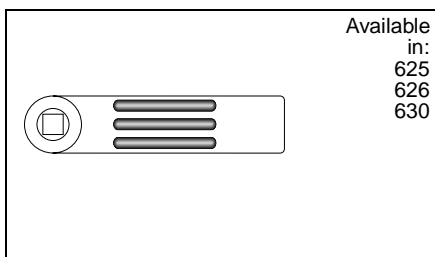
Available
in:
605
606
612
613
625
626
*629
*630

Furnished with L9040 and L9440. Specify finish.

* 629 = Turn 625, Rose 629

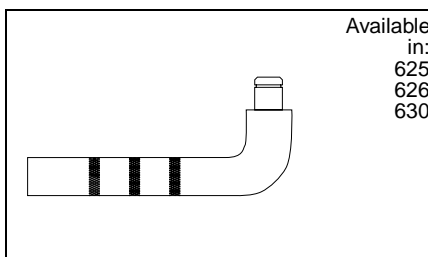
* 630 = Turn 626, Rose 630

Tactile Warning (Knurling)



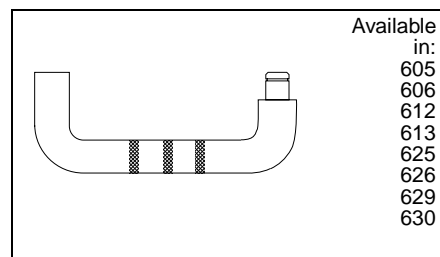
Available
in:
625
626
630

Milling pattern for backside of 01, 06, 07, 17, and 18 levers.



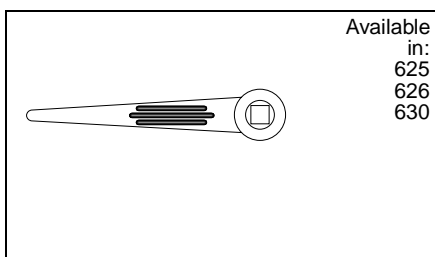
Available
in:
625
626
630

Knurling pattern for 02 lever.



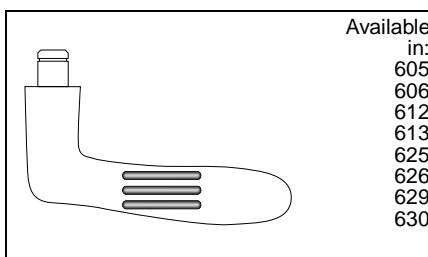
Available
in:
605
606
612
613
625
626
629
630

Knurling pattern for 03 lever. (Discontinued)



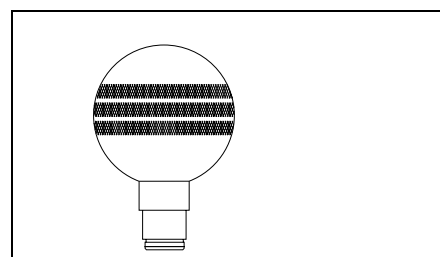
Available
in:
625
626
630

Milling pattern for backside of 05 lever.



Available
in:
605
606
612
613
625
626
629
630

Milling pattern for underside of 12 lever.
Specify door hand.



Knurling pattern for 43 knob. (Obsolete)
tactile warning not available for 41 and 42 knobs.

NOTE: To specify knurling, place the number 8 in front of the lever design code. (e.g. 801 for lever design 01 with knurling).

Trim Assembly Parts

Escutcheon Thru-Bolt/Screws

Part Number	Specify Finish	Description	Door Thickness
L583-119	•	L-Series Escutcheon thru-bolts/screws	1 ³ / ₈ "
L583-120	•		1 ³ / ₄ "
L583-121	•		2"
L583-122	•		2 ¹ / ₄ "
L583-123	•		2 ¹ / ₂ "
K510-389	•	N Escutcheon thru-bolts/screws	1 ³ / ₄ "
K510-390	•		2"-2 ¹ / ₄ "
L583-287	•	L Escutcheon mounting screws, L0170 single dummy	-
L583-133	•	N Escutcheon mounting screws, L0170 single dummy	-

NOTE: Two required per lock.

Standard Screw Pac

Part Number	Specify Finish	Description	Contents
C203-736	455	Lock Case Mounting Screws	(2) C603-256, #12-24 WMS PFH
C203-736	•	Strike Screws	2) C603-256, #12-24 WMS PFH
K110-020	•	Armor Mounting Screws	(2) K510-210, #8-32 x 1/4" PFHMS
K110-947	•	Rose Trim Thumbturn Screws	(2) K510-445, #4 x 1/2" POH AB
L283-100		Trim Mountings Screws and Posts, 1 ³ / ₄ " doors	(2) L583-066, #8-32 x 1/2" PFH (2) L583-212, 1/4-28 x 2 2 1/8" POHMS
L283-101	•	Escutcheon thru-bolts/screws, 1 ³ / ₄ " doors	(2) L583-120

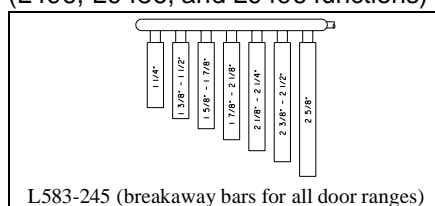
Tamper Resistant Torx Screw Packs

Part Number	Specify Finish	Description	Contents
L283-121	•	Rose Trim without Thumbturn	(2) Armor screws, L583-370, #8-32 x 1/4" (T-15) (2) Strike screws, L583-371, #12-24 x 1/2" (T-20)
L283-123	•	L Escutcheon Trim for 1 ³ / ₄ " Doors	(2) Armor screws, L583-370, #8-32 x 1/4" (T-15) (2) Strike screws, L583-371, #12-24 x 1/2" (T-20) (2) Esc. mtg. screws, L583-373, 1/4-28 x 2 1/8" (T-30)
L283-122	•	Rose Trim with Thumbturn	(2) Armor screws, L583-370, #8-32 x 1/4" (T-15) (2) Strike screws, L583-371, #12-24 x 1/2" (T-20) (2) Thumbturn screws, L583-372, #4 x 2 1/2" (T-8)
XL11-848*	•	N Escutcheon Trim for 1 ³ / ₄ " doors	(2) Armor screws, L583-370, #8-32 x 1/4" (T-15) (2) Strike screws, L583-371, #12-24 x 1/2" (T-20) (2) Esc. mtg. screws, L583-373, 1/4-28 x 2 1/8" (T-30)

NOTE: Trox screw packs are furnished with appropriate T-xx installation tools.

Drivers to Operate Occupancy Indicator

(L496, L9486, and L9496 functions)



Trim Assembly Parts

Mounting Posts

(Two required per lock)

Part Number	Door Thickness
L583-211	1 $\frac{1}{8}$ "
L583-212	1 $\frac{3}{4}$ "
L583-213	2"
L583-214	2 $\frac{1}{4}$ "
L583-215	2 $\frac{1}{2}$ "
L583-216	2 $\frac{3}{4}$ "
L583-217	3"
L583-218	3 $\frac{1}{4}$ "
L583-219	3 $\frac{1}{2}$ "

Spindles and Springs

Part Number	Description
L283-060*	Spindle & Spring, 1 $\frac{1}{8}$ "-1 $\frac{7}{8}$ " doors
L283-061*	Spindle & Spring, 2"-3 $\frac{1}{2}$ " doors
L283-064	Spindle & Spring, L0172 double dummy
L283-065	Spindle & Spring, L0170 single dummy

* Two required per lock.

Mounting Plate for Trim One Side Only

DOOR DETAIL

For location of cylinder and/or thumbturn holes, as well as all other dimensions, see appropriate lock function template.

NOTE: PREPARE DOOR FOR ROSE TRIM ON ONE SIDE OF DOOR ONLY.

SCHLAGE®

Installation Instructions

L-Series

Mounting plate for trim one side

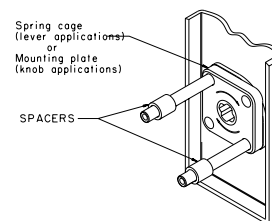
©2001 Schlage Lock Company
Printed in U.S.A.
P513-301 Rev. 01/01

L283-150 Mounting Plate and Posts with screws for mounting rose trim on one side of door only. For lever designs, use with Spring Cage L283-031. For knob designs, use with Mounting Plate L583-321.

ANSI A115.1 1990 Hollow Steel Door Installation

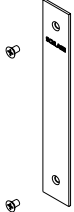
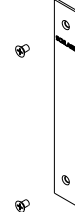




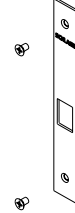
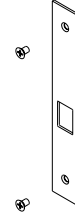

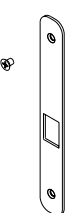
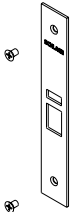
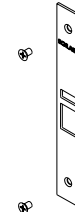
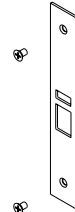
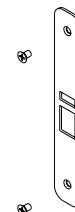
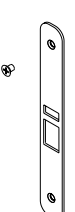
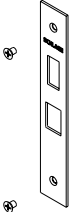

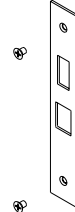

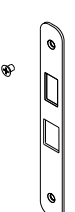
Install two spacers between the spring cage (or knob mounting plate) and lock chassis as shown. Spacers are required for both the inside and outside escutcheons.

NOTE: L-design escutcheons are not applicable for ANSI A115.1 door preparations.

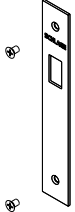
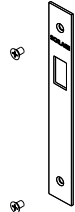
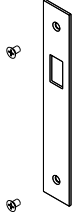

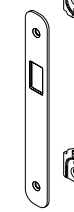
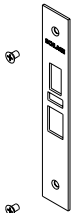
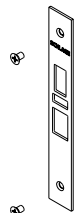
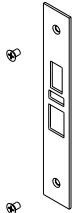

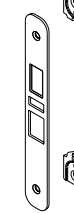
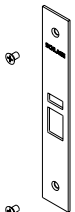
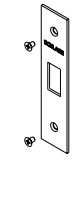


L283-029 For installation on 1 $\frac{3}{4}$ " thick hollow steel doors prepared per ANSI A115.1 1990.

Armor Fronts

SCHLAGE® Logo		Plain (non-logo), Discontinued			Function and Description
1¼" Square Corner	1⅙" Square Corner	1¼" Square Corner	1¼" Rounded Corner	1⅙" Rounded Corner	
09-661 	09-667 	09-685 	09-697 	09-703 	Blank L9110 L9175 L9176
09-662 	09-668 	09-686 	09-698 	09-704 	Latch UL L9010 L9040 L9044
09-663 	09-669 	09-687 	09-699 	09-705 	Latch x Auxiliary Latch UL L9050 L9056 L9060 L9070 L9071 L9080 L9082
09-664 	09-670 	09-688 	09-700 	09-706 	Latch x Deadbolt UL L9440 L9444 L9456 L9457 L9465 L9466 L9473 L9496

Armor Fronts

SCHLAGE® Logo		Plain (non-logo), Discontinued			Description and Function
1 1/4" Square Corner	1 1/16" Square Corner	1 1/4" Square Corner	1 1/4" Rounded Corner	1 1/16" Rounded Corner	
09-665 	09-671 	09-689 	09-701 	09-707 	Deadbolt L9410(disc) L9460 L9462 L9463 L9464
09-666 	09-672 	09-690 	09-702 	09-708 	Latch x Auxiliary Latch x Deadbolt UL L9453 L9480 L9482 L9485 L9486
09-713 	—	—	—	—	Latch x Auxiliary Latch (holdback) L9076 L9077
09-717 	—	—	—	—	Deadbolt L460 L462 L463 L464 L480 L496

Strikes

Strike Dimensions

Part Number	Lip	Strike Description		Size		Strike Applicable to:		Components	
				Height	Width	Lock Series/Door Range		Box	Screw 2ea.
10-072*	1"	Square Corner		4 ⁷ / ₈ "	1 ¹ / ₄ "	L9010 to L9496	2"	K510-066	C603-256
	1 ³ / ₁₆ "	Square Corner		4 ⁷ / ₈ "	1 ¹ / ₄ "		1 ³ / ₈ "-1 ⁷ / ₈ "	K510-066	C603-256
	1 ¹ / ₂ "	Square Corner		4 ⁷ / ₈ "	1 ¹ / ₄ "		1 ⁷ / ₈ "-2 ¹ / ₈ "	K510-066	C603-256
	1 ³ / ₄ "	Square Corner		4 ⁷ / ₈ "	1 ¹ / ₄ "		2 ¹ / ₈ "-2 ⁵ / ₈ "	K510-066	C603-256
	2"	Square Corner		4 ⁷ / ₈ "	1 ¹ / ₄ "		2 ⁵ / ₈ "-3 ¹ / ₈ "	K510-066	C603-256
	7 ⁷ / ₈ "	Square Corner		4 ⁷ / ₈ "	1 ¹ / ₄ "		—	K510-066	C603-256
10-073	—	Square Corner		4 ⁷ / ₈ "	1 ¹ / ₄ "	—	K510-066	C603-256	
10-075***	—	1/2" Rabbeted		4 ⁷ / ₈ "	1"	L9000 Series	—	—	C603-256
10-078	—	Square Corner		4 ⁷ / ₈ "	1 ¹ / ₄ "	L400 Series	—	K510-066	C603-256
10-079	—	Square Corner		3 ¹ / ₂ "	1 ¹ / ₈ "		—	K510-053	C603-256
10-091**	1 ³ / ₁₆ "	Sq. Corner	L&RR	8"	1 ¹ / ₄ "	L9177	1 ³ / ₈ "-1 ⁷ / ₈ "	—	K510-210
			R&LR	8"	1 ¹ / ₄ "	L9178	1 ³ / ₈ "-1 ⁷ / ₈ "	—	
XL11-820**	1 ³ / ₁₆ "	Sq. Corner	L&RR	4 ⁷ / ₈ "	1 ¹ / ₄ "	L9000 Non-Deadbolt Functions	1 ³ / ₈ "-1 ⁷ / ₈ "	K510-066	C603-256
XL11-821**			R&LR	4 ⁷ / ₈ "	1 ¹ / ₄ "		1 ³ / ₈ "-1 ⁷ / ₈ "		

* Specify lip length.

** Specify lip length and hand of inactive door.

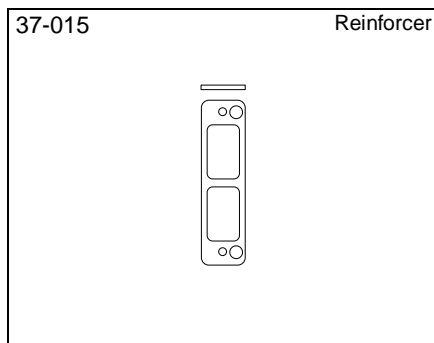
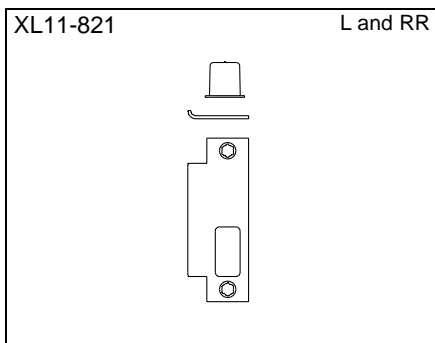
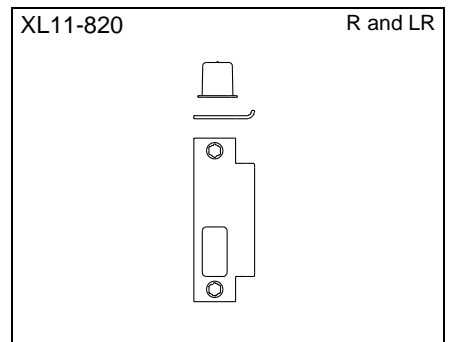
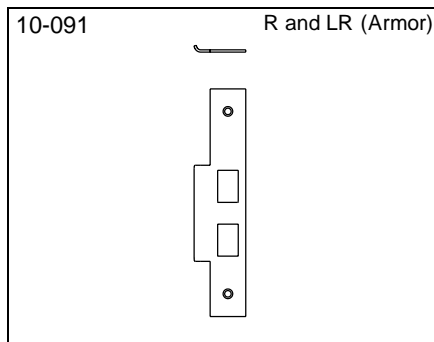
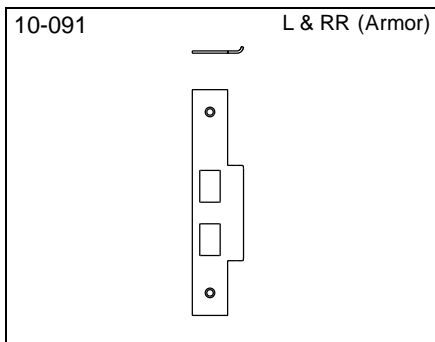
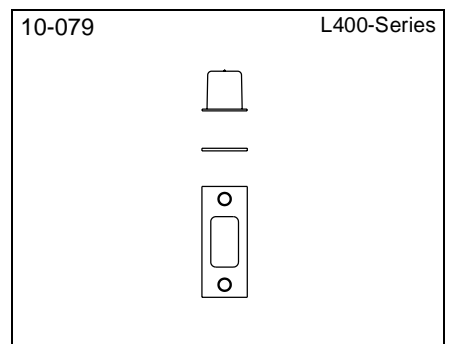
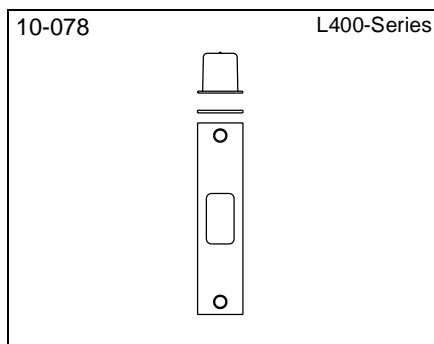
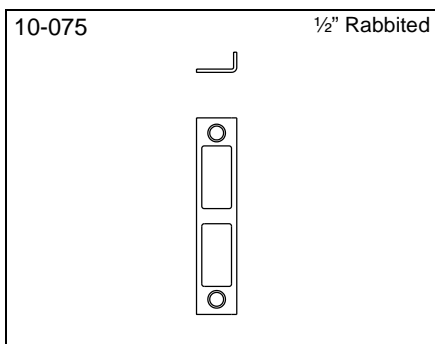
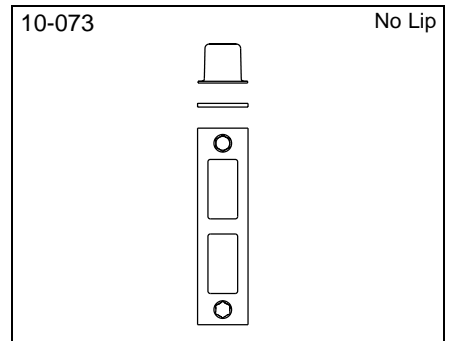
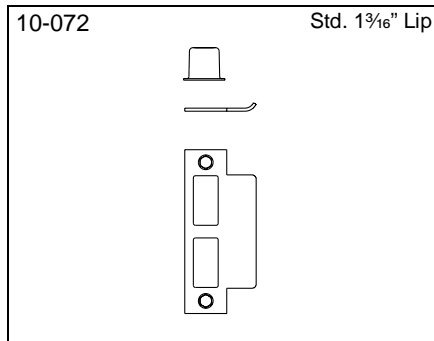
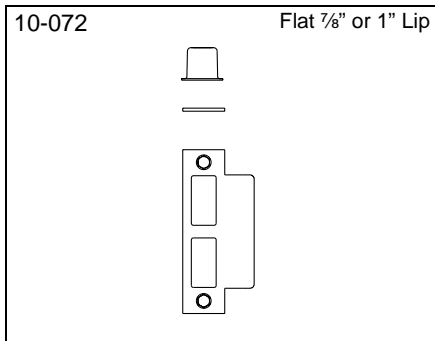
*** For 1³/₄" thick doors, use 1¹/₁₆" wide armor fronts. For over 1³/₄"-2¹/₄" doors, use with 1¹/₄" wide armor fronts

NOTE: Strike boxes and screws can be ordered as parts.

Door Frame Strike Reinforcer Dimensions

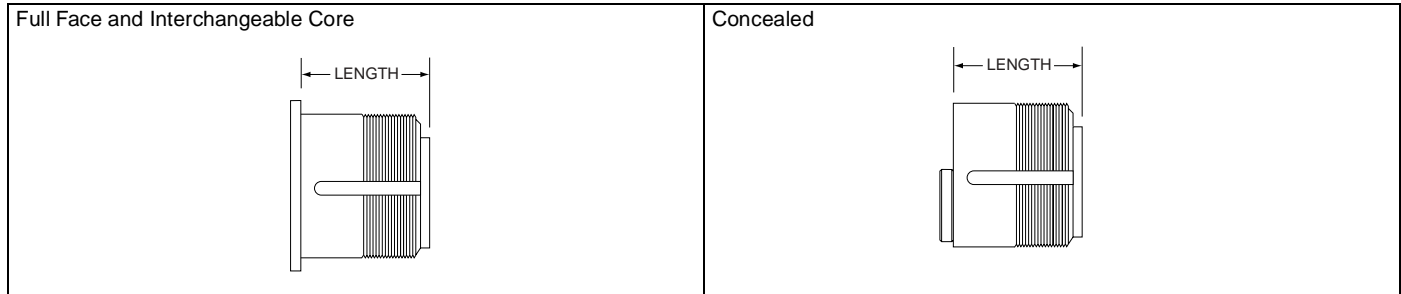
Part Number	Lip	Strike Description		Size		Strike Applicable to:	
				Height	Width	Lock Series/Door Range	
37-015	—	1/4" radii round corner		4 ⁷ / ₈ "	1 ¹ / ₄ "	L9000	—

Strikes



Cylinder Lengths and Specifications

How to Measure Cylinder Lengths



Cylinder Length Dimension Chart

Cylinder Length	Dimension
1 1/8"	118
1 1/4"	114
1 3/8"	138
1 1/2"	112
1 5/8"	158
1 3/4"	134

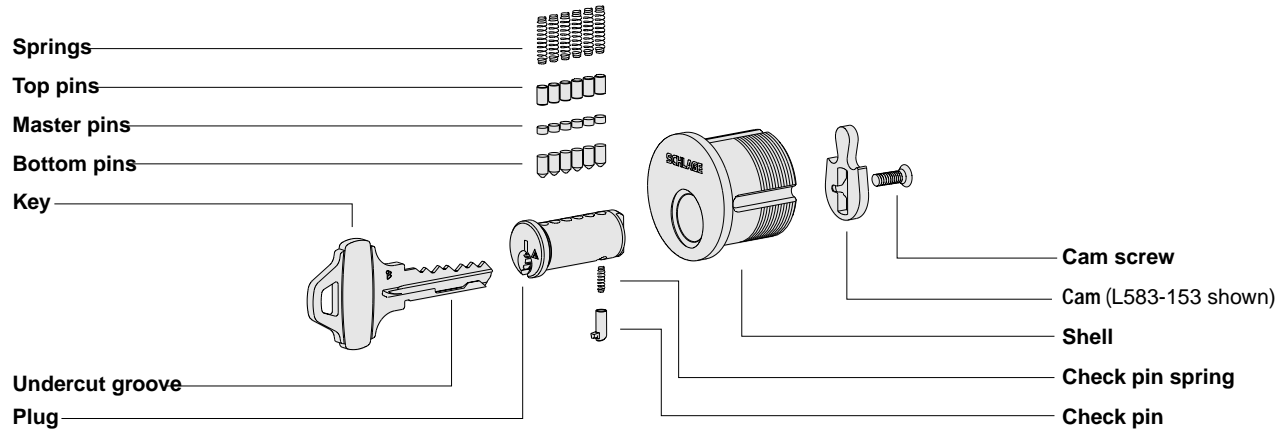
Cylinder and Length Requirements

Function	Trim	Cylinder	Door Thickness			
			1 3/8"	1 3/4"	2"	2 1/4"
			Dimension			
L9050, L9056, L9070, L9076, L9080, L9410 (disc), L9453, L9456, L9460 per XL11-635/886, L9464 per XL11-886, L9465, L9473, L9480, L9496	Rose	30-001	118	118	118	118
	Escutcheon	30-021	118	114	138	112
	Concealed	30-004	118	114	138	112
L9485	Rose	30-002	—	118	118	118
	Escutcheon	30-022	—	114	138	112
	Concealed	30-005	—	114	138	112
L9486	Rose	30-002	114	138	112	158
	Escutcheon	30-022	118	114	138	112
	Concealed	30-005	118	114	138	112
L9060 Inside, L9071, L9077, L9082, L9457, L9462 per XL11-886, L9466, L9482	Rose	30-001	118	118	118	118
	Escutcheon	30-001	114	—	—	—
		30-021	—	118	114	138
Concealed	30-004	—	118	114	138	
L9060 Outside	Rose	20-001	118	118	118	118
	Escutcheon	20-001	114	—	—	—
		26-021	—	118	114	138
Concealed	26-023	—	118	114	138	
L460, L462, L463, L464, L496, L9460, L9462, L9463, L9464	Rose Trim Only	30-001	118	118	118	118

NOTE: Blocking ring and/or compression rings may be required and must be ordered separately.

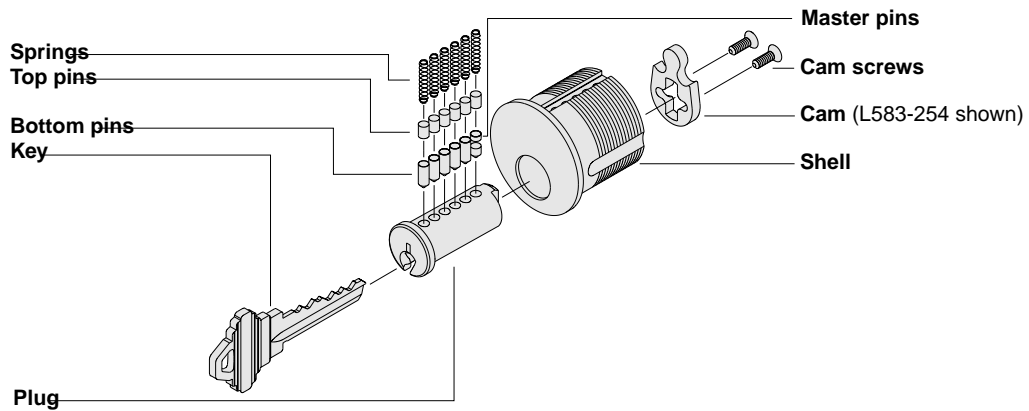
Full Face Cylinders

Exploded View – Everest™ Mortise Cylinder

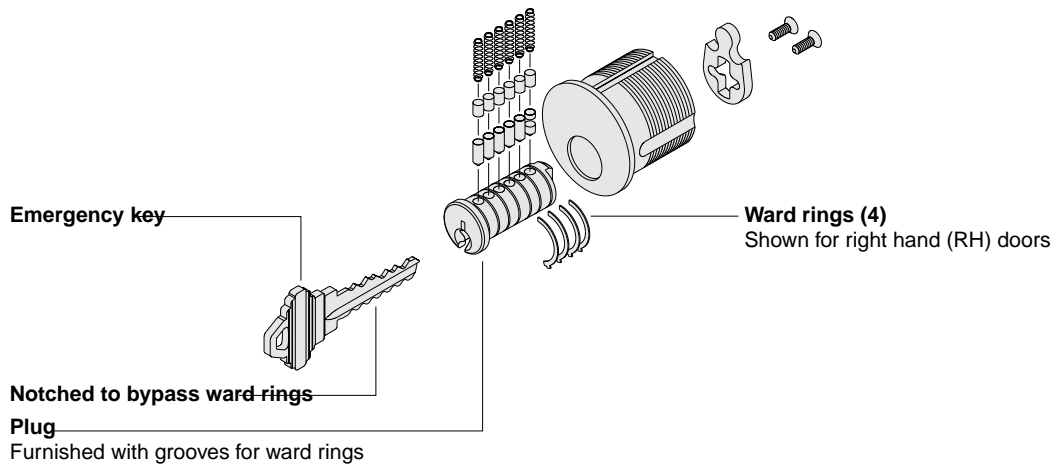


Full Face Cylinders

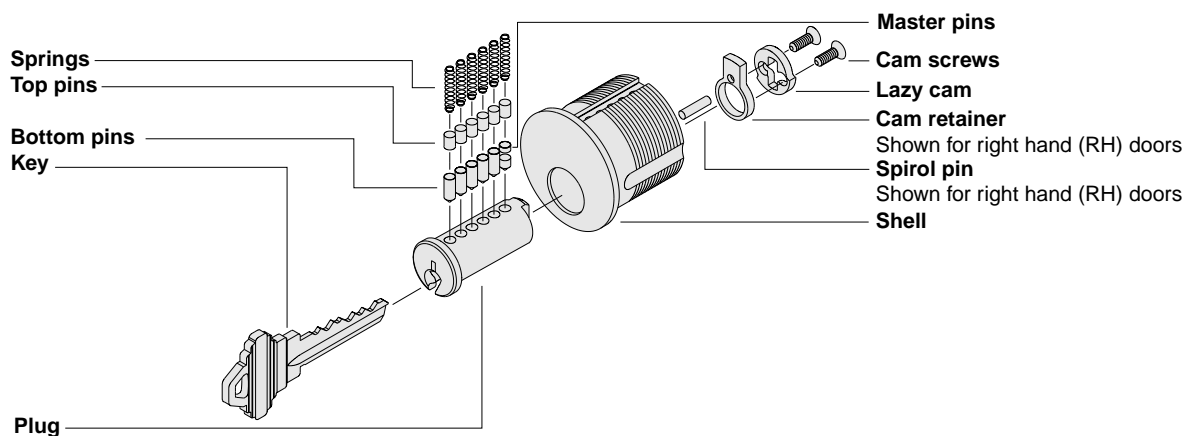
Exploded View – Classic Mortise Cylinder



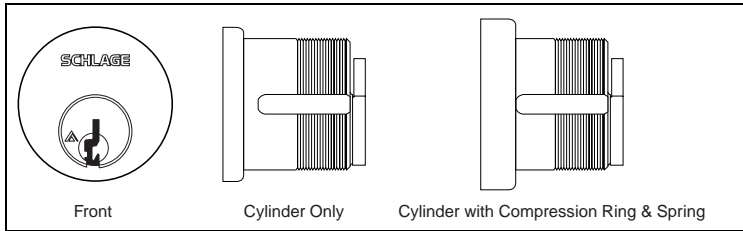
Exploded View – Hotel Mortise Cylinder





Exploded View – Holdback Mortise Cylinder (discontinued)



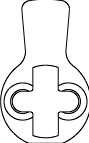

Full Face Cylinders



L-Series (except L9060 outside)

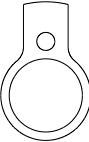

Description	Cylinder Mechanism	Complete Cylinder	Cam	
Cylinder Only: L & N Escutcheons	Everest or Classic	30-021	L583-254 Classic	L583-153 Everest & PRIMUS
	PRIMUS Controlled Access	20-793		
	PRIMUS UL437	20-593		
	Hotel Function Everest or Classic	30-022*		
Cylinder with Compression Ring & Spring: Rose Trim	Everest or Classic	30-001**		
	PRIMUS Controlled Access	20-787		
	PRIMUS UL437	20-587		
	Lockout Controlled Access	20-717		
	Lockout UL437	20-517		
Hotel Function Everest or Classic	30-002*			

L-Series L9060 Outside

Description	Cylinder Mechanism	Complete Cylinder	Cam	
Cylinder Only: L & N Escutcheons	Everest or Classic	26-021	B502-191 Classic	B502-948 Everest & PRIMUS
	PRIMUS Controlled Access	20-701		
	PRIMUS UL437	20-501		
Cylinder with Compression Ring & Spring: Rose Trim	Everest or Classic	20-001**		
	PRIMUS Controlled Access	20-7007		
	PRIMUS UL437	20-500		
	Lockout Controlled Access	20-715		
Cylinder with Compression Ring & 1/8" Blocking Ring	Everest or Classic	20-002		

NOTE: Also for Schlage K-Series (discontinued).

L-Series Holdback (Discontinued)

Description	Cylinder Mechanism	Complete Cylinder	Cam	
Cylinder Only: L & N Escutcheons	Classic	30-023***	K510-580 Cam	L583-256 Retainer
Cylinder with Compression Ring & Spring: Rose Trim	Classic	30-003***		
				

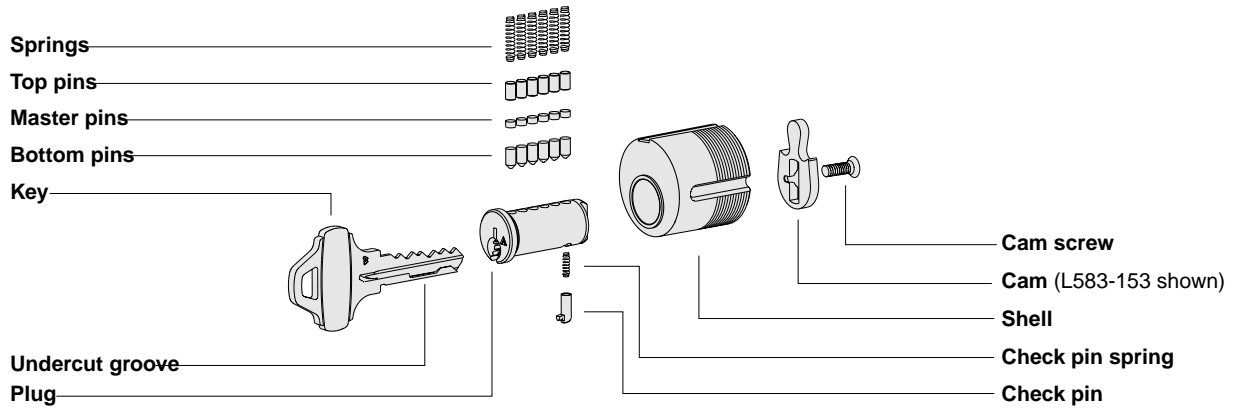
* Specify hand for hotel function cylinders. Not available in PRIMUS. Emergency keys must be ordered separately.

** Entrapment cylinder is available for Classic keyways only. (see "Special Options" on page 102).

*** Specify hand for holdback cylinders. Can only be used with L9050, L9080, and LK9082 functions. 1/8" cylinders not available. 1/4" furnished unless otherwise specified.

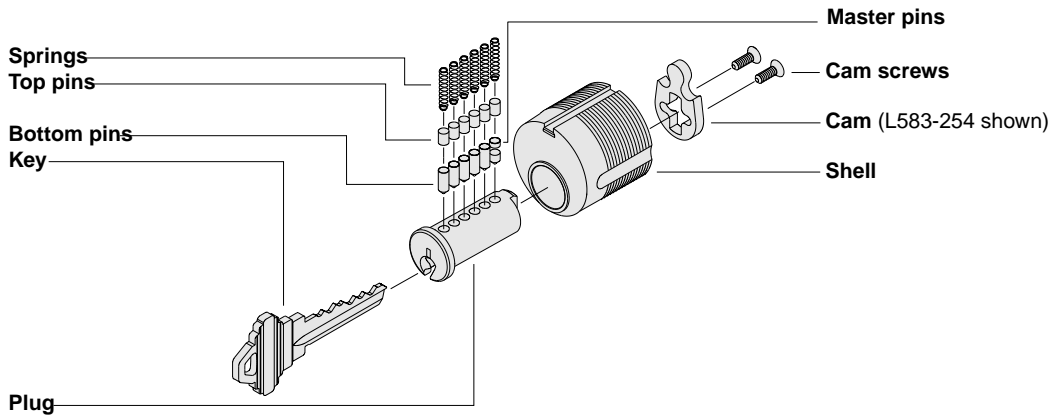
Concealed Cylinders

Exploded View – Everest™ Mortise Cylinder

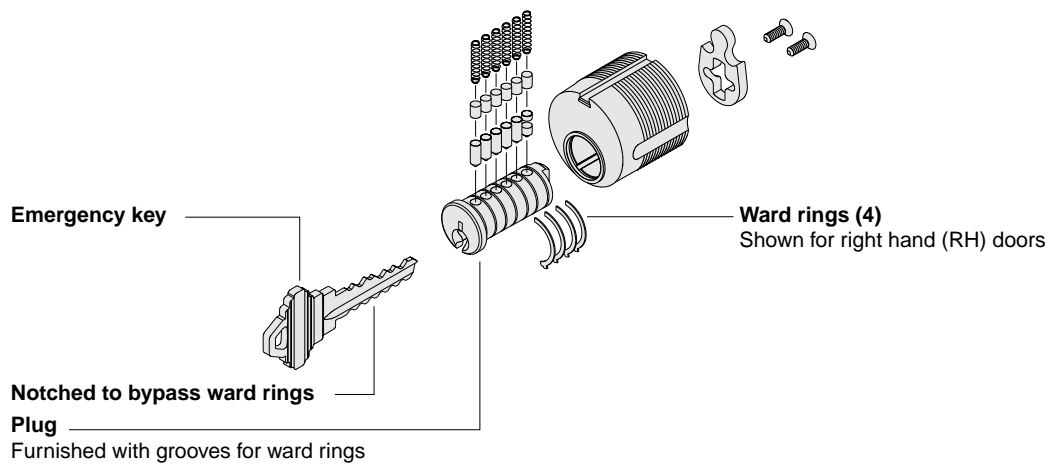


Concealed Cylinders

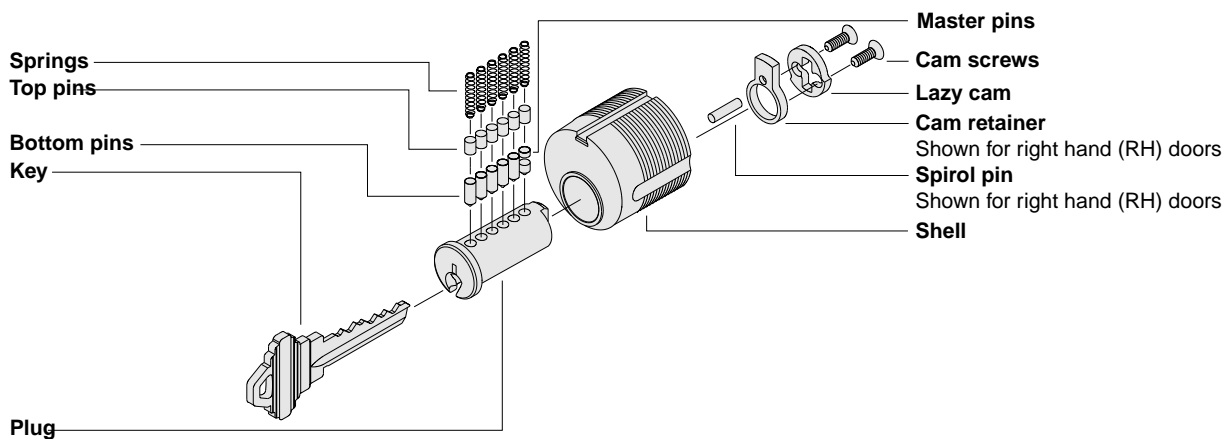
Exploded View – Classic Mortise Cylinder



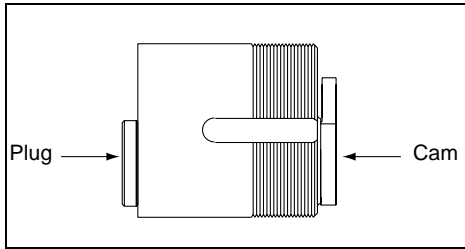
Exploded View – Hotel Mortise Cylinder



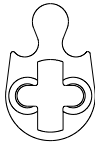

Exploded View – Holdback Mortise Cylinder (discontinued)



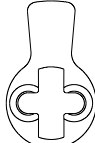
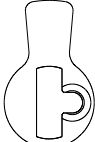
Concealed Cylinders



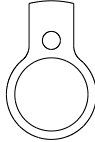

L-Series (except L9060 outside)

Description	Cylinder Mechanism	Complete Cylinder	Cam	
Cylinder Only: L Escutcheon	Everest or Classic	30-004	L583-254 Classic 	L583-153 Everest & PRIMUS 
	PRIMUS Controlled Access	20-789		
	PRIMUS UL437	20-589		
	Hotel Function Everest or Classic	30-005*		

L-Series L9060 Outside

Description	Cylinder Mechanism	Complete Cylinder	Cam	
Cylinder Only: L Escutcheon	Everest or Classic	26-023	B502-191 Classic 	B502-948 Everest & PRIMUS 

L-Series Holdback (Discontinued)

Description	Cylinder Mechanism	Complete Cylinder	Cam	
Cylinder Only: L Escutcheon	Classic	30-006**	K510-580 Cam 	L583-256 Retainer 

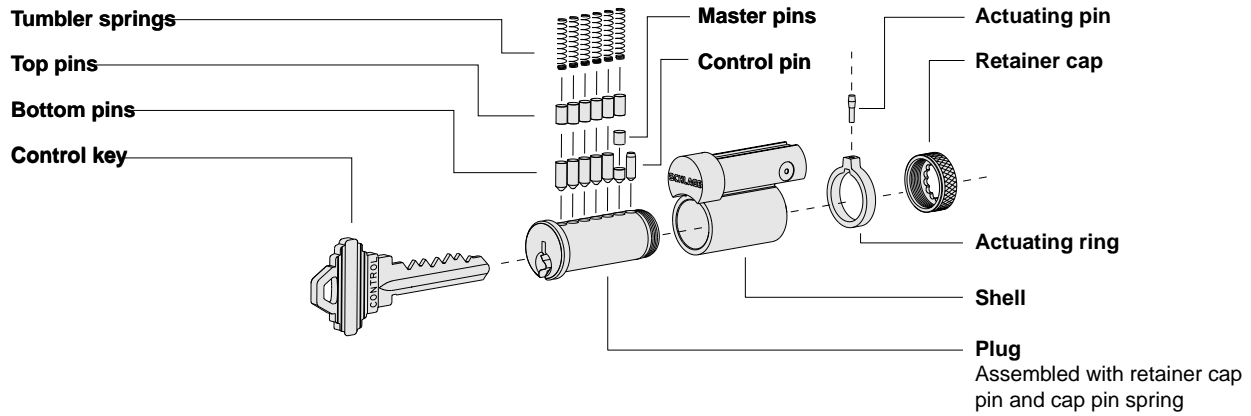
* Specify hand for hotel function cylinders. Not available in PRIMUS. Emergency keys must be ordered separately

** Specify hand for holdback cylinders. Can only be used with L9050, L9080, and L9082 functions. 1 1/8" cylinders not available.

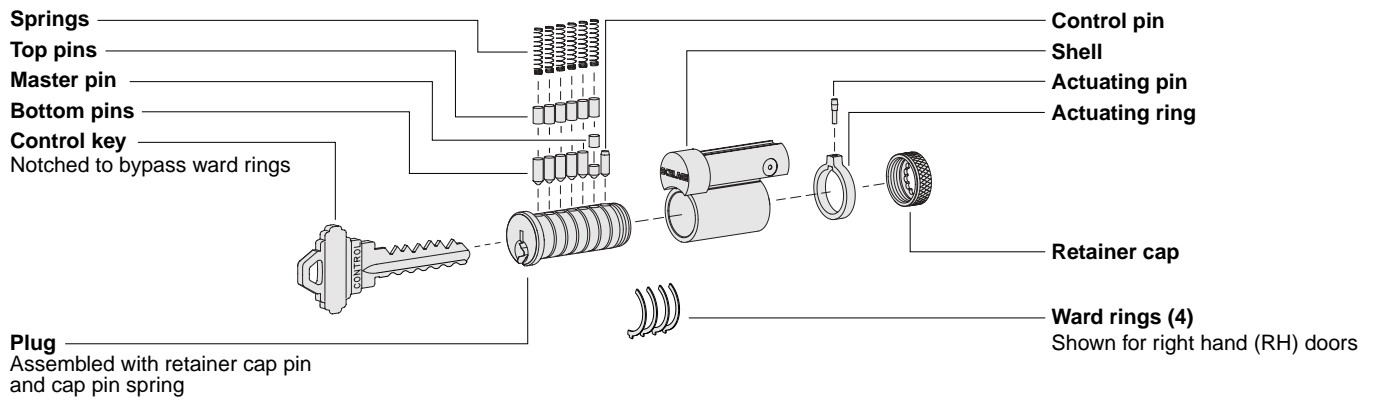
- NOTE:1)** Everest hotel function cylinders are available in 1 1/8", 1 1/4", and 1 3/8" only.
2) 1 1/8" (Dim=118) cylinders are furnished unless otherwise specified. Cylinder length depends on function, trim and door thickness.
3) Finishes: 606 and 626
4) Specify LKB if 0-bitted PRIMUS cylinders are required less key blanks.
5) Lockout keys are not furnished with cylinders and must be ordered separately.
6) Lockout cylinders will not be master keyed by Schlage.
7) Extended lengths are available.

Full Size Interchangeable Cores

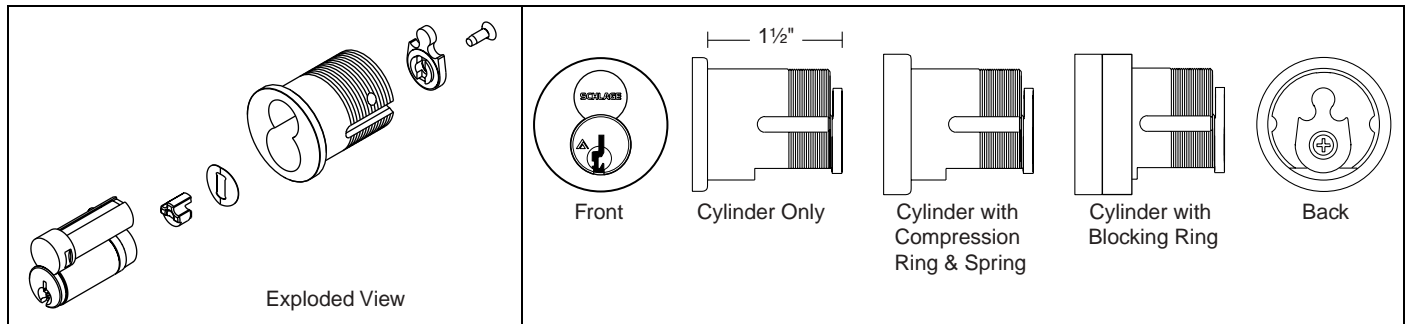
Exploded View – Full Size Classic



Exploded View – Full Size Hotel Classic



Full Size Interchangeable Cores



L-Series (except L9060 outside)

Description	Cylinder Mechanism	Complete Cylinder	Cam
Cylinder Only: L & N Escutcheons	Housing Less Core	30-016	
Cylinder with Compression Ring & Spring: L & N Escutcheons	Everest or Classic	30-008*	
	PRIMUS Controlled Access	20-798	
	Hotel Function Everest or Classic	30-010**	
	Housing Less Core	30-007	
Cylinder with Compression Ring, Compression Spring and 3/8" Blocking Ring: Rose Trim	Everest or Classic	30-138*	
	PRIMUS Controlled Access	20-776	
	Hotel Function Everest or Classic	30-140**	
	Housing Less Core	30-137	

L-Series L9060 Outside

Description	Cylinder Mechanism	Complete Cylinder	Cam
Cylinder Only: L & N Escutcheons	Housing Less Core	30-032	
Cylinder with Compression Ring & Spring: L & N Escutcheons	Everest or Classic	30-030*	
	PRIMUS Controlled Access	20-782	
Cylinder with Compression Ring, Compression Spring and 1/2" Blocking Ring: Rose Trim***	PRIMUS Controlled Access	20-783	

L-Series Holdback (Discontinued)

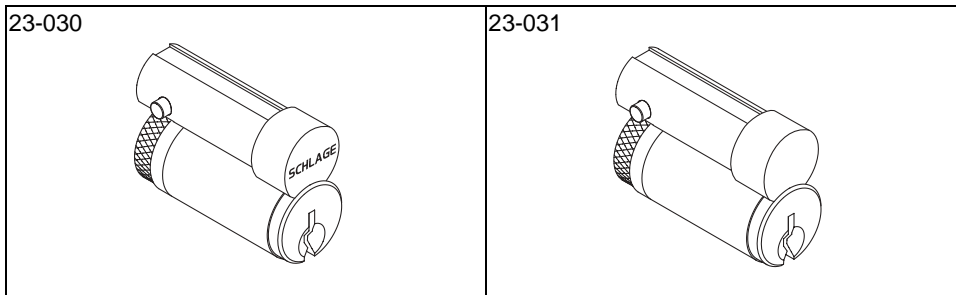
Description	Cylinder Mechanism	Complete Cylinder	Cam
Cylinder Only	Hosing Less Core	26-090	
Cylinder with Compression Spring and Ring	Everest or Classic	26-091*	
	PRIMUS Controlled Access	20-763	
Cylinder with Compression Ring, Compression Spring, and 3/8" Blocking Ring	Everest or Classic	20-061*	
	PRIMUS Controlled Access	20-771	

* Can be ordered with construction core.

** Specify hand for hotel function cylinders. Not available in PRIMUS. Emergency key must be ordered separately

*** For Classic and Everest order 30-030 cylinder and 36-082-050 blocking ring.

Full Size Interchangeable Cores



Full Size Cores

Part Number	Description
23-030	Everest or Classic
23-031	Everest or Classic core less logo
20-740	PRIMUS Core
20-741	PRIMUS core less logo
30-120*	Hotel function Everest or Classic Core for L9485 and L9486
30-121*	Hotel function Everest or Classic core, less logo, for L9485 and L9486

Full Size Core Parts

Part Number	Description
C503-118	Retainer Cap (Order in multiples of 25)
C603-347**	Cap Pin (Order in multiples of 100)
C603-956	Actuating Ring
C603-964	Actuating Pin
C603-967	Control Pin (Order in multiples of 100)

* Specify hand for hotel function cores. Emergency keys must be ordered separately

** For cores manufactured before November 1997.

NOTE:1) Control keys must be ordered separately.

2) Finishes: 606 and 626 only.

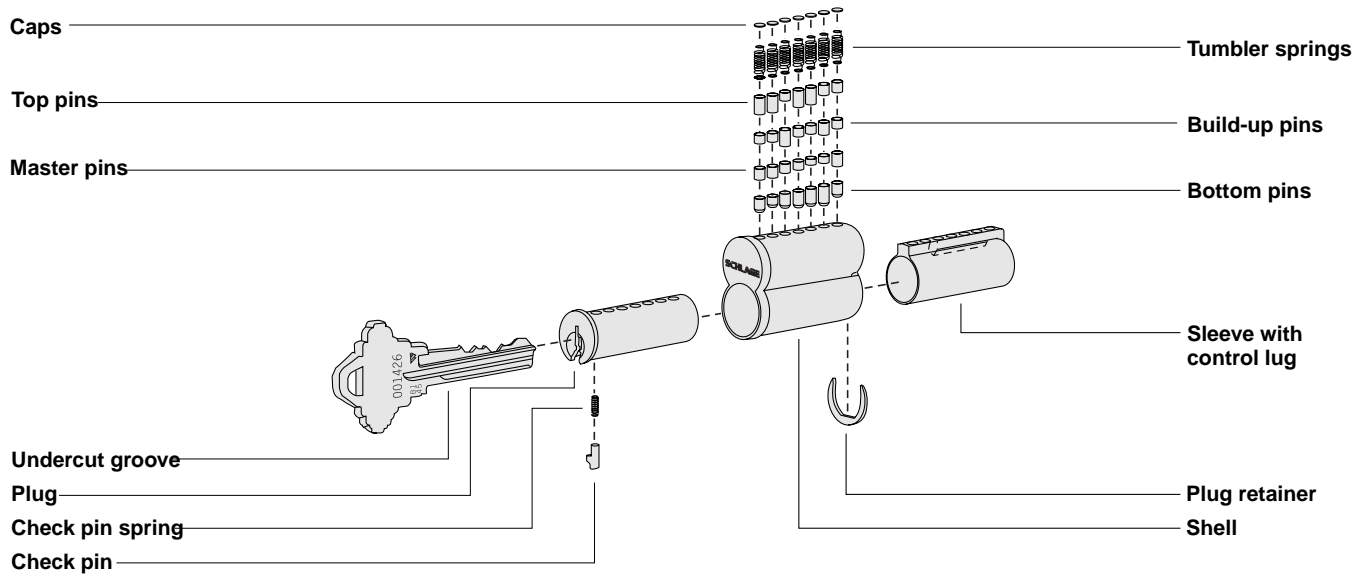
3) Full size Everest or Classic cores can be integrated into any Schlage 6-pin key system with compatible Everest or Classic keyways.

4) PRIMUS cores can be integrated into any Schlage 6-pin key system with compatible PRIMUS keyways.

5) PRIMUS cores are Controlled Access. Specify LKB if 0-bitted PRIMUS cores are required less key blanks.

Small Format Interchangeable Cores

Exploded View – Small Format Everest™ Keyways

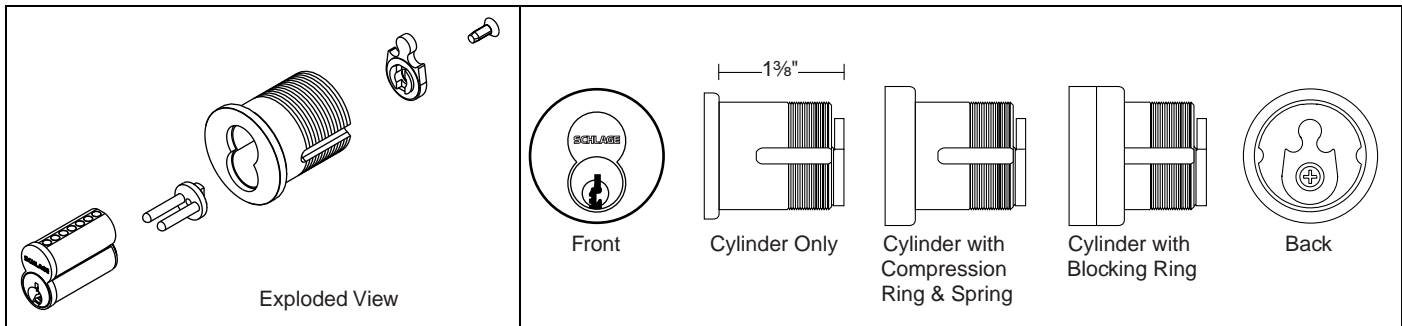


Everest™ Patented Keyway Cores

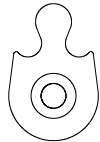
Part Number	Description	80-037
80-037	Everest combined core. Includes master keying	
80-036	Everest Uncombined Core	

- NOTE:**
- 1) Finishes: 606 and 626.
 - 2) Everest B family keyways are restricted.
 - 3) Key symbol must be specified for combined cores.
 - 4) Uncombined cores are furnished less keys, pins and springs.
 - 5) Control keys must be ordered separately.
 - 6) Specify 80-035 for construction cores.

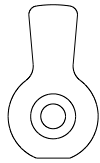
Small Format Interchangeable Cores



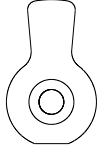
L-Series (except L9060 outside)

Description	Cylinder Mechanism	Complete Cylinder	Cam
Cylinder with Compression Ring & Spring: L & N Escutcheons	Everest Restricted Core	80-308	L583-255 
	Construction Core	80-138	
	Housing Less Core	80-108	
Cylinder with Compression Ring, Compression Spring and 1/4" Blocking Ring: Rose Trim	Everest Restricted Core	80-301	
	Construction Core	80-131	
	Housing Less Core	80-101	

L-Series L9060 Outside

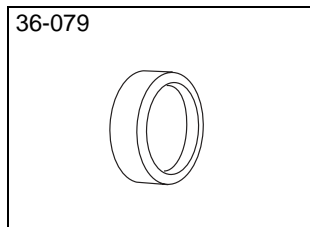
Description	Cylinder Mechanism	Complete Cylinder	Cam
Cylinder with Compression Ring & Spring: L & N Escutcheons	Everest Restricted Core	80-304	K510-680 
	Construction Core	80-134	
	Housing Less Core	80-104	

Other Straight Cam Applications

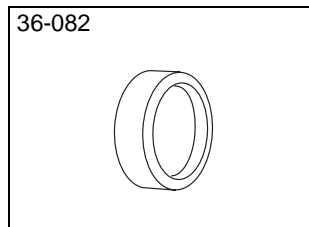
Description	Cylinder Mechanism	Complete Cylinder	Cam
Cylinder with Compression Ring, Compression Spring, and 1/4" Blocking Ring	Everest Restricted Core	80-302	K510-730 
	Construction Core	80-132	
	Housing Less Core	80-102	

*For rose trim also order 36-082-050 blocking ring.

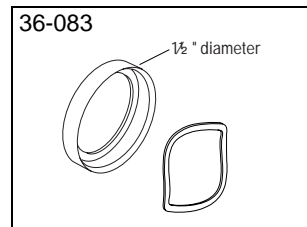
Blocking and Compression Rings



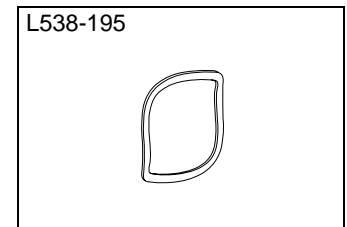
36-079
Blocking Ring. Specify finish and dimension. Not to be used with 36-083



36-082
Blocking Ring. Specify finish and dimension. Use with 36-083



36-083
Compression Ring and Spring. Specify finish and dimension



L538-195
Compression Ring

Dimensions for Blocking Rings

Blocking Ring Length	Dimension
$\frac{1}{8}$ "	012
$\frac{3}{16}$ "	018
$\frac{1}{4}$ "	025
$\frac{5}{16}$ "	031
$\frac{3}{8}$ "	037
$\frac{7}{16}$ "	043
$\frac{1}{2}$ "	050

Full Size Core Blocking Ring Requirements

Function	Trim	Door Thickness			
		1 $\frac{3}{8}$ "	1 $\frac{3}{4}$ "	2"	2 $\frac{1}{4}$ "
		Dimension			
L9050, L9070, L9080, L9410 (disc), L9453, L9456, L9460 per XL11-886 or XL11-635, L9464 per XL11-886, L9465, L9473, L9480, L9496	Rose	050	037	025	025
	Escutcheon	025	012	N/R	N/R
L9485	Rose	—	037	025	025
	Escutcheon	—	012	N/R	N/R
L9486	Rose	012	N/R	N/R	N/R
	Escutcheon	025	012	N/R	N/R
L9060, L9071, L9077, L9082, L9457, L9462 per XL11-886, L9466, L9482	Rose	—	050	043	031
	Escutcheon	025	012	N/R	N/R
L460, L464, L496, L9460, L9464	Rose Trim	050	037	025	025
L462, L463, L9462, L9463	Rose Trim	—	050	043	031

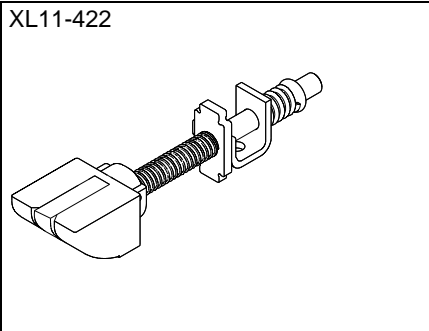
SFIC Blocking Ring Requirements

Function	Trim	Door Thickness			
		1 $\frac{3}{8}$ "	1 $\frac{3}{4}$ "	2"	2 $\frac{1}{4}$ "
		Dimension			
L9050, L9060, L9070, L9071, L9077, L9080, L9082, L9453, L9456, L9457, L9462 per XL11-886, L9465, L9466, L9473, L9482,	Rose	037	025	012	N/R
	Escutcheon	N/R	N/R	N/R	N/R
L9050, L9060, L9070, L9080, L9082, L9410 (disc), L9453, L9456, L9460 per XL11-886 or XL11-635, L9464 per XL11-886, L9465, L9466, L9473, L9480, L9496	Rose	—	050	037	025
	Escutcheon	018	N/R	N/R	N/R
L460, L464, L496, L9460, L9464	Rose Trim\	037	025	012	N/R
L462, L463, L9462, L9463	Rose Trim\	—	050	037	025

Special Options

Solid Latchbolt

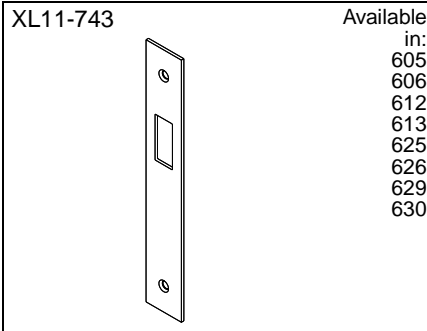
XL11-422



For use with electric strikes. The anti-friction tongue is replaced by a nylon insert to prevent interference with the strike gate.

Armor Front w/ Deadbolt Hole

XL11-743

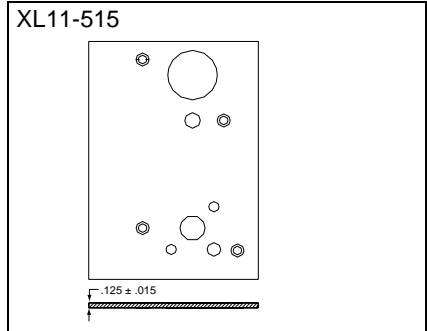


Available
in:
605
606
612
613
625
626
629
630

For use with dummy functions on inactive doors. Specify dummy function per XL11-743.

Lead Lining XL11-515

XL11-515



Lead plate installed on case cover. Specify door hand. Lead lining is not available on the L400-Series. Buyer should verify that the preparation meets local installation.

Special Cylinder Applications

"X" Number	Description
Entrapment	
XB09-728 (disc)*	Entrapment, mortise cylinder (20-001 or 30-001), 1 7/8" long, P keyway only
XB09-834 (disc)*	Entrapment, rim cylinder (20-021 or 20-022), P keyway only
XQ09-732	Entrapment cylinder key blank, 5-pin, C keyway
XQ09-733	Entrapment cylinder extractor
Extended Length	
XB03-418	Mortise cylinder (20-001, 30-001, or 30-004), 1 7/8"-5" long.
XB11-475	Full size IC mortise cylinder (26-091 or 30-008), 2"-5" long, Classic or Everest
	PRIMUS full size IC mortise cylinder (20-763 or 20-798), 2"-5" long
	Full size IC mortise cylinder housing less core (26-090 or 30-007) 2"-5" long
XB11-638	PRIMUS mortise cylinder (20-700, 20-787, or 20-789), 1 7/8"-5" long
Holdback, L-Series PRIMUS	
XB11-659 (disc)	PRIMUS holdback mortise cylinder for L-Series lock (20-787, 20-789, or 20-793), 1 1/4"-1 3/4" long

* Includes XQ09-732 key to operate the entrapment cylinder and XQ09-733 entrapment cylinder extractor.

NOTE:1) Specify complete cylinder as required, then "X" number. (e.g. 20-001-118-P per XB09-728.

2) PRIMUS cylinders are Controlled Access. Specify LKB if 0-bitted PRIMUS cylinders are required less key blanks.

Electrically Locking

L9080 EL Electrically Locked (fail safe):

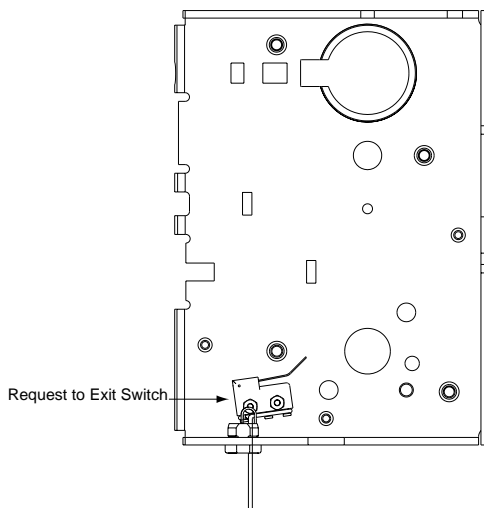
Outside trim continually locked electrically. The latchbolt is retracted by key outside or by knob/lever inside. Switch or power failure allows the outside knob/lever to retract the latchbolt. Auxiliary latch deadlocks the latchbolt when the door is closed. The inside knob/lever is always free for immediate exit.

L9080 EU Electrically Unlocked (fail secure):

Outside trim unlocked electrically. The latchbolt is retracted by key outside or by knob/lever inside. Auxiliary latch deadlocks latchbolt when the door is closed. The inside knob/lever is always free for immediate exit.

Request to Exit (RX) Feature L283-059/125:

A micro switch, positioned inside the lock case, is activated when the knob/lever is rotated. The switch signals the use of that opening to security systems, allowing a non-disruptive means of immediate egress. Specify L283-059 for normally closed or L283-125 for normally open.



L9082 EL or EU Electrically Locked or Unlocked Both Sides:

These functions are the same as L9080 EL or EU except both knobs/levers are locked or unlocked simultaneously. Request to Exit is NOT available with the L908 functions. Previously XL11-452.

Cylinders:

All Schlage cylinders are available with the above locks. Specify the locks with the required cylinder code, e.g. L9080PEL (code P) for classic and full size Everest cylinders. For a complete list of order codes, see "Ordering Procedures" on page 115.

Replacement Kit:

L283-053 Solenoid and Driver, EL or EU.

Electrical Requirements:

Voltage: 24V AC or 24V DC (maximum 29V, minimum 20V)

Peak Current: 1.3 Amps at 5 to 10 second intervals

Holding Current: .135 Amps between peak current intervals

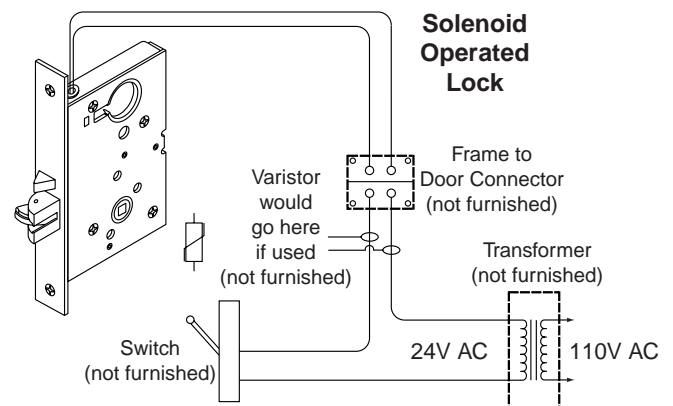
Operating Temperature: Maximum +151° F, Minimum -31° F

RX Micro Switch: 5 Amps, normally closed circuit.

Typical Installation:

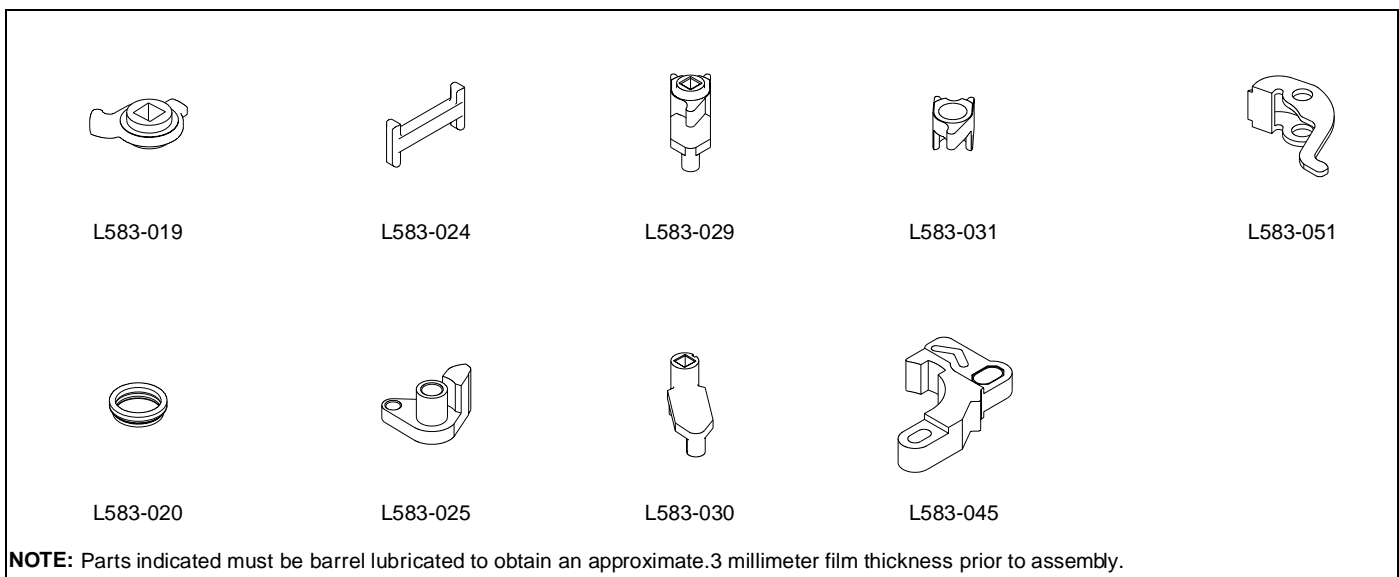
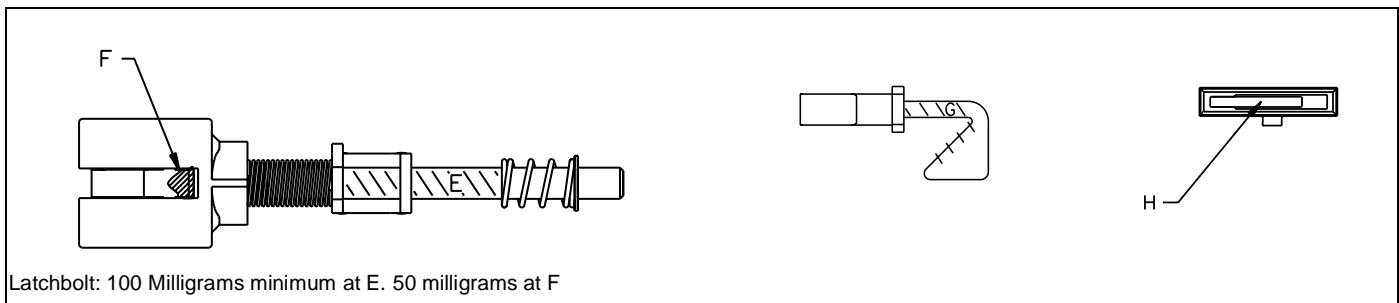
All installations should be in accordance with local electrical codes and National Electrical Code NFPA #70-1978

Each lock should preferably have its own 24 volt transformer. Two or more locks may be operated in parallel from a single transformer provided it has the necessary current rating. DO NOT connect locks in series from a higher voltage rated transformer. Damage to locks may occur if they connect to a supply circuit that also contains electromagnetic devices. The transient voltage must be suppressed at the equipment producing them before connecting the locks to a circuit. A varistor rated at 35 volts (at peak current) may be used for transient voltage protection.



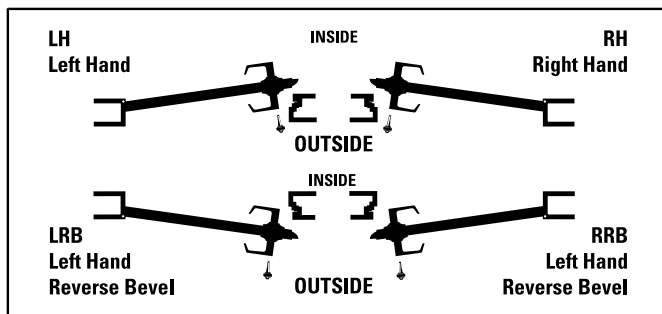
Lubrication Specifications

Lock function	Area	
L9010 L9080 L9082	A	
L460 L9460 L462 L9462 L463 L9463 L480 L9464 L496	B	
L9465 L9466 L9473	A, B	
L9040 L9080 L9050 L9080EL L9060 L9080EU L9071 L9082EL L9076 L9082EU L9077	A, C	
L9440 L9457 L9444 L9485 L9453 L9486 L9456	A, B, C	
Case and Cover: 150 Milligrams minimum in each area A, B and C.		



Door Handing

One of the revolutionary features of the L-Series mortise lock is that it can be ordered non-handed. Handing can quickly be done by the manufacturer, distributor, or installer without opening the lock case. This feature allows a Schlage distributor to order L-Series locks as stock and customize the handing to each order's specification. This means off-the-shelf delivery to meet today's fast track construction requirements. The mix-and-match lever with knob combinations available along with a non-handed lock case provides the ultimate in stocking, ordering, and installation flexibility. Orders can be filled from on-hand stock, minimizing delivery problems.

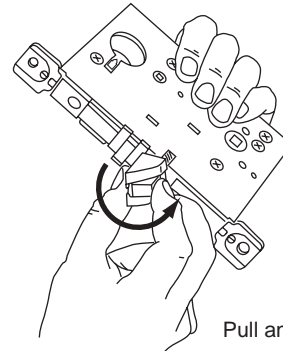


Changing the Lock Hand

There are only two steps to changing the hand of any L-Series lock.

1. Pull and Rotate Latchbolt.

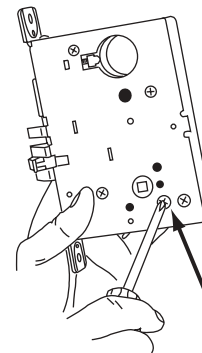
With the lock case removed from the door, pull the latchbolt away from the lockcase and rotate 180°.



Pull and Rotate Latchbolt

2. Change the Lock Handing Screw.

Remove the lock handing screw from one side of the chassis and install it on the opposite side. The lock handing screw should always be on interior side of the door.



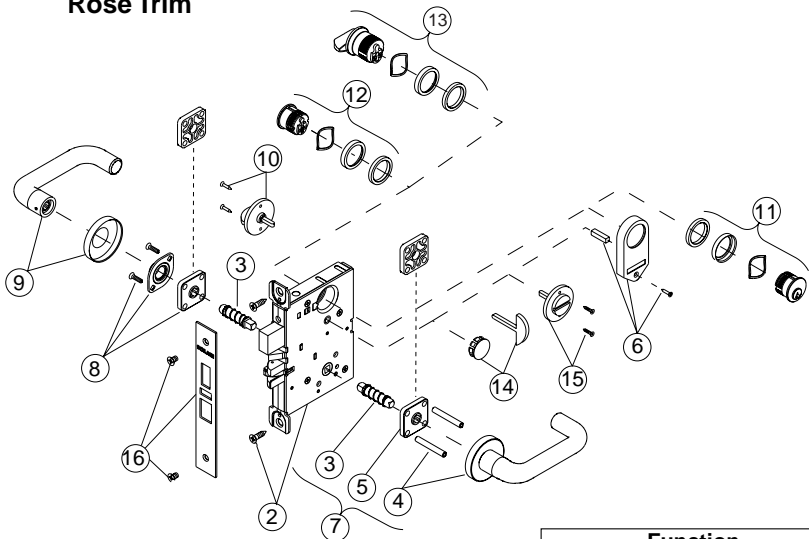
Lock Handing Screw

L9000-Series Installation Sheet— Page 1

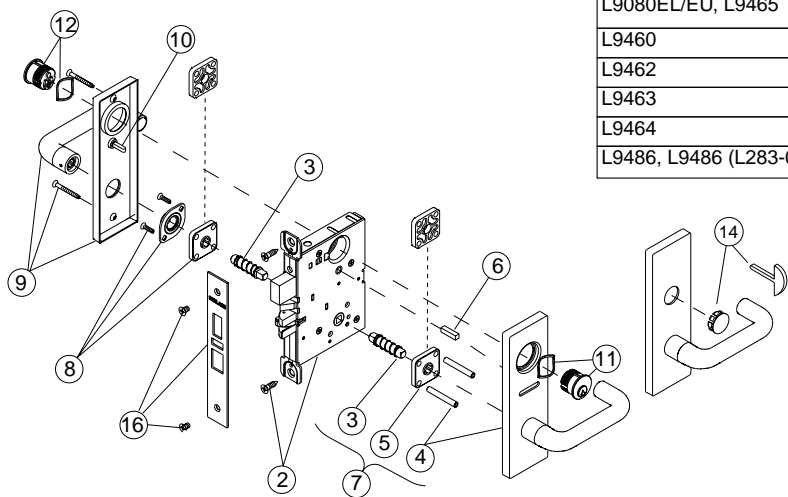
SCHLAGE®
Installation Instructions

L9000-Series
Heavy Duty Mortise Lock

Rose Trim



Escutcheon Trim



Function	Installation Steps
L9010	1, 2, 3, 4, 5, 7, 8, 9, 16
L9040, L9440	1, 2, 3, 4, 5, 7, 8, 9, 10, 14, 16
L9044, L9444	1, 2, 3, 4, 5, 7, 8, 9, 10, 15, 16
L9050, L9056, L9453, L9456, L9473, L9480, L9485	1, 2, 3, 4, 5, 7, 8, 9, 10, 11, 16
L9060, L9071, L9077, L9082, L9457, L9466	1, 2, 3, 4, 5, 7, 8, 9, 11, 12, 16
L9070, L9076, L9080, L9080EL/EU, L9465	1, 2, 3, 4, 5, 7, 8, 9, 11, 16
L9460	1, 2, 10, 11, 16
L9462	1, 2, 11, 12, 16
L9463	1, 2, 11, 13, 16
L9464	1, 2, 11, 16
L9486, L9486 (L283-058), L9496	1, 2, 3, 4, 5, 6, 7, 8, 9, 10, 11, 16

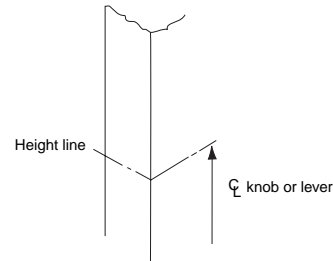
L9000-Series Installation Sheet— Page 2

Door and Jamb Preparation

1

A. Mark lockset CENTERLINE.

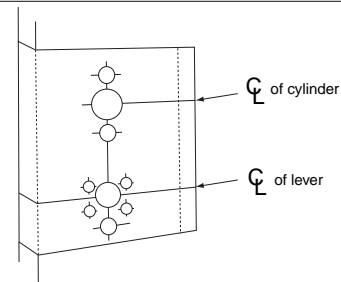
- a. Measure desired height from finished floor.
 - b. Mark centerline on both faces and edge of door.
- NOTE:** If mortise for strike has already been made, measure 2 3/8 " down from center of strike to locate centerline of knob or lever.



CAUTION: The outside and inside of the door may require different preparation. Use proper template for Outside (exterior or corridor) and inside of door.

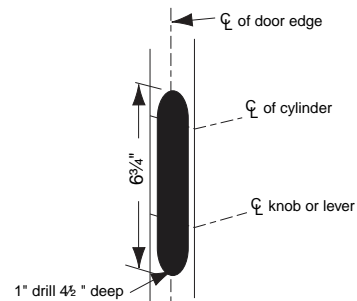
B. Mark TRIM DRILL POINTS.

- a. Align centerline of door template with centerline marked on door edge.
- b. Based on the function of the lock, mark position of drill points.



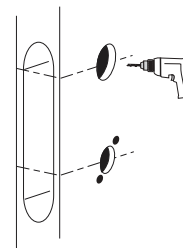
C. Mortise DOOR EDGE—for wood doors.

- a. Align template with centerline of door edge.
- b. Mark and drill two (2) 1" diameter holes, 4 1/2" deep.
- c. Remove remaining wood until the mortise is 1" wide, by 6 3/4" high, by 4 1/2" deep



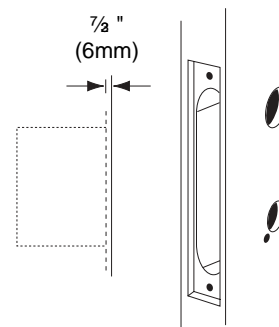
D. Drill TRIM HOLES.

NOTE: To prevent splintering or damaging doors, drill through-holes halfway from each side of door.



E. Create a recess for the LOCK FACE.

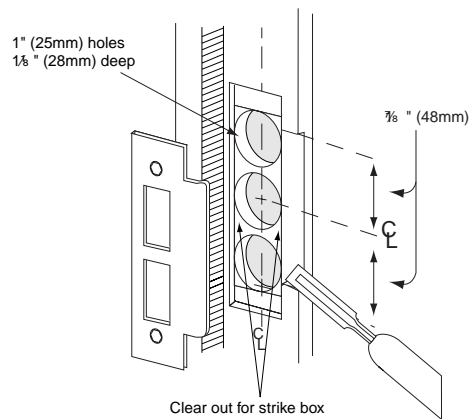
The standard recess is 1/4" x 8" x 7/8".



L9000-Series Installation Sheet— Page 3

F. Install STRIKE.

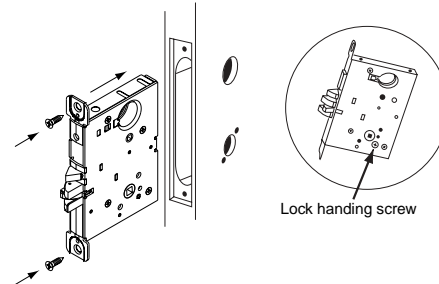
- a. Align centerline of strike template with the centerline marked on doorjamb. (Be sure to match centerline on both strike and lock trim templates.)
 - b. Bore 1" diameter holes into doorjamb, 1 1/8" deep.
 - c. Recess 3/8" for a flush fit of the strike box.
- NOTE:** Additional recess is required when using strike reinforcement.
- d. Using a Phillips screwdriver and two (2) strike mounting screws, install strike into doorjamb.



2

Install LOCK CASE

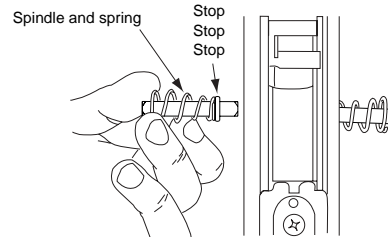
NOTE: Install with the lock handing screw on the inside of the door and leave the mounting screws slightly loose to allow for adjustment.



3

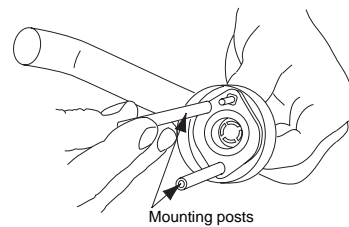
Install SPINDLES and SPRINGS.

- a. Slide a spring over each spindle.
- b. Insert spindles and springs so that the spindle stops are in contact with the lock case.



4

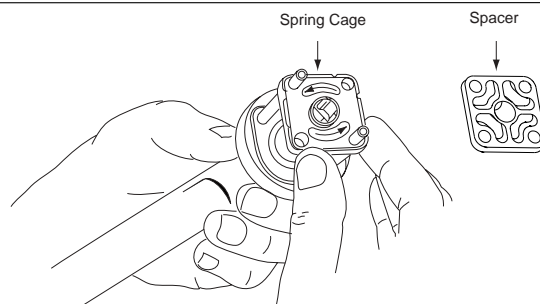
Thread MOUNTING POSTS onto outside rose or escutcheon.



5

Install OUTSIDE SPRING CAGE or SPACER.

Spring cage arrows should point in direction of lever rotation.
Install spacer for L9080, L9082, L9480, L9485, L9486, or L9496

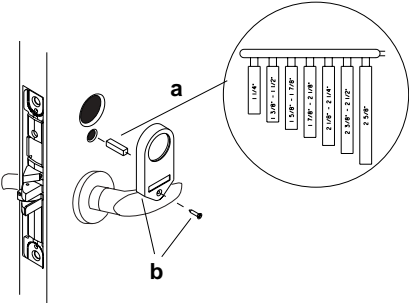


L9000-Series Installation Sheet— Page 4

6

Install INDICATOR

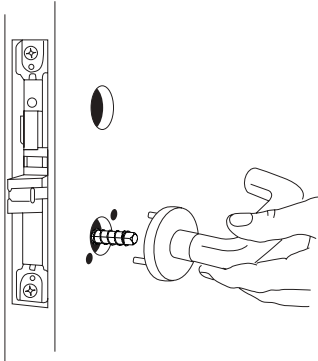
- a. Detach required driver bar and insert into lock case.
- b. **For Rose trim only.**
Install indicator onto door and secure with screw.



7

IMPORTANT: Install a concealed cylinder BEFORE installing the outside escutcheon.

Install OUTSIDE ROSE or ESCUTCHEON.
Install with lever in working position.

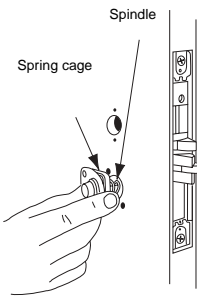


8

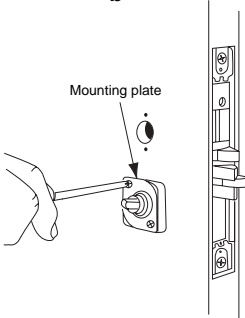
Install SPRING CAGE (spacer) and MOUNTING PLATE.

- a. Slide mounting plate and spring cage over the inside spindle and spring.
- NOTE:** Make sure the arrows on the spring cage point in the direction of lever rotation.
- b. Insert and tighten two (2) mounting screws.

a



b



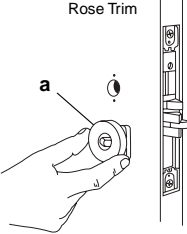
9

Install inside ROSE or ESCUTCHEON trim.

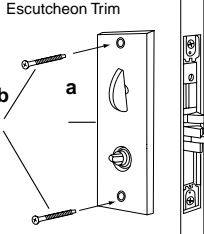
NOTE: For escutcheon with thumbturn, retract deadbolt and install thumbturn in the vertical position.

- a. Place rose or escutcheon over mounting plate.
- b. **For escutcheon trim only.**
Install two (2) escutcheon mounting screws.
- c. Install lever and tighten bushing with spanner wrench.

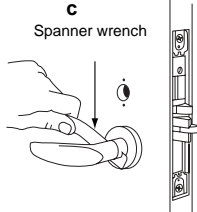
Rose Trim



Escutcheon Trim



c



L9000-Series Installation Sheet— Page 5

<p>10</p> <p>Install THUMBTURN—for rose trim only.</p> <ol style="list-style-type: none"> Insert the thumbturn in the vertical position. Throw deadbolt. Install two (2) thumbturn mounting screws. 	<p>Align on vertical</p> <p>Bolt thrown</p>
<p>11</p> <p>Install OUTSIDE FULL FACE CYLINDER.</p> <ol style="list-style-type: none"> Assemble cylinder. Using a partially inserted key, screw the cylinder into the lock case. 	<p>a</p> <p>For Double Cylinder Rose Trim</p> <p>For Escutcheon Trim</p> <p>For Rose and Indicator Trim</p> <p>b</p>
<p>12</p> <p>Install INSIDE FULL FACE CYLINDER—follow step 11</p>	
<p>13</p> <p>Install CYLINDER TURN.</p> <ol style="list-style-type: none"> Assemble cylinder turn. Screw cylinder turn into the lock case. 	
<p>14</p> <p>Snap EMERGENCY BUTTON into place.</p>	<p>Emergency turn</p> <p>Emergency button</p>
<p>15</p> <p>Install COIN TURN.</p> <ol style="list-style-type: none"> Insert coin turn in the vertical position. Install two (2) mounting screws. 	<p>Align on vertical</p> <p>Bolt thrown</p>

L9000-Series Installation Sheet— Page 6

16

Install ARMOR FRONT

- If needed, tighten the cylinder anchor screw until hand-tight.
- Tighten the two (2) lock case mounting screws.
- Place armor front in position and install two (2) armor front screws.

Change Lock Handing

17

A. Change LATCH HANDING.

- Pull anti-friction tongue and latchbolt away from lock case.
- Rotate latchbolt 180° degrees.

B. Change LOCK HANDING SCREW.

- Remove lock handing screw from side of lock case.
- Install lock handing screw on other side of lock case.

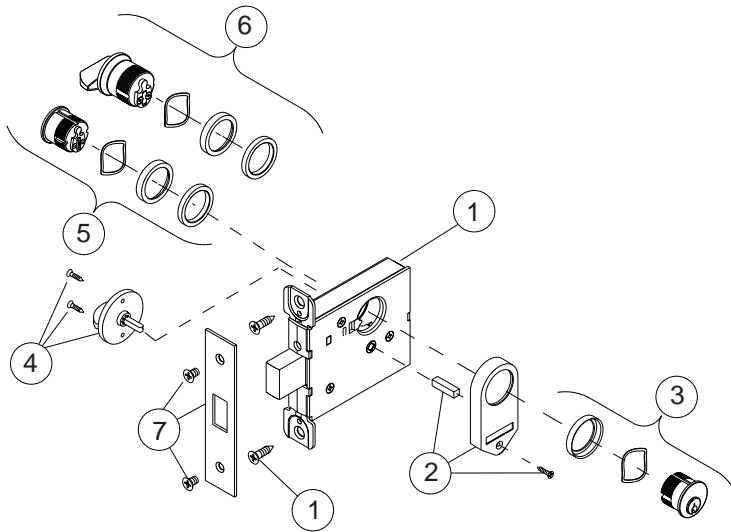
NOTE: The lock handing screw must always be on the inside of the door for proper operation of the lock.

C. Change CYLINDER TURN handing (if needed)
Move ball and spring to appropriate hole.

L400-Series Installation Sheet— Page 1

SCHLAGE® Installation Instructions

L400-Series Small Case Mortise Lock

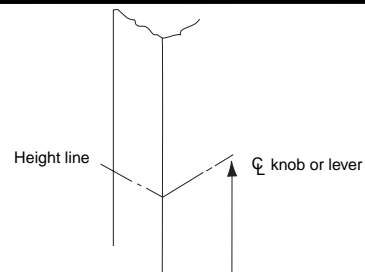


Function	Installation Steps
L460	1, 2, 4, 5, 8
L462	1, 2, 4, 6, 8
L463	1, 2, 4, 7, 8
L464	1, 2, 4, 8
L480	1, 2, 5, 8
L496	1, 2, 3, 4, 5, 8

Door and Jamb Preparation

A. Mark lockset CENTERLINE.

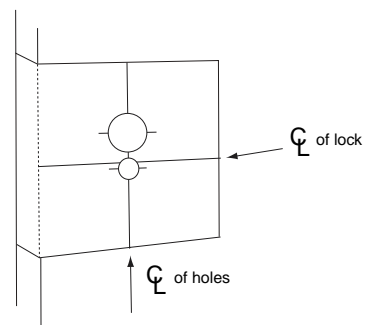
- a. Measure desired height from finished floor.
- b. Mark centerline on both faces and edge of door.



CAUTION: The outside and inside of the door may require different preparation. Use proper template for Outside (exterior or corridor) and inside of door.

B. Mark TRIM DRILL POINTS.

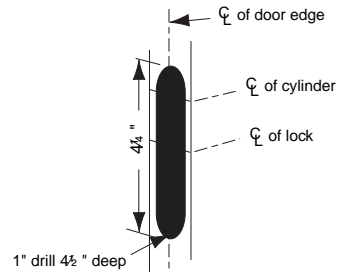
- a. Align centerline of door template with centerline marked on door edge.
- b. Based on the function of the lock, mark position of drill points.



L400-Series Installation Sheet— Page 2

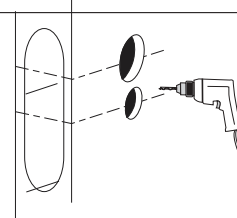
C. Mortise DOOR EDGE—for wood doors.

- a. Align template with centerline of door edge.
- b. Mark and drill two (2) 1" diameter holes, 4½" deep.
- c. Remove remaining wood until the mortise is 1" wide, by 4¼" high, by 4½" deep



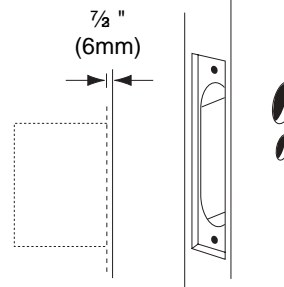
D. Drill TRIM HOLES.

NOTE: To prevent splintering or damaging doors, drill through-holes halfway from each side of door.



E. Create a recess for the LOCK FACE.

The standard recess is 1¼" x 5½" x 7/8".

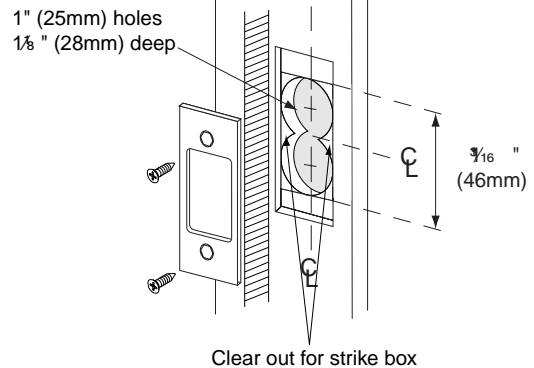


F. Install STRIKE.

- a. Align centerline of strike template (10-079 shown) with the centerline marked on doorjamb.
- b. Bore 1" diameter holes into doorjamb, 1⅞" deep.
- c. Recess 3/8" for a flush fit of the strike box.

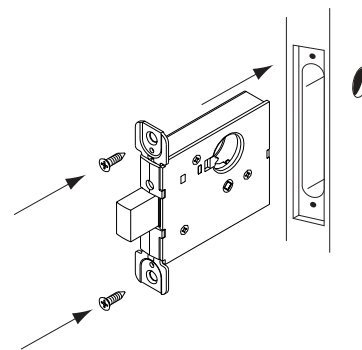
NOTE: Additional recess is required when using strike reinforcement.

- d. Using a Philips screwdriver and two (2) strike mounting screws, install strike into doorjamb.



1

Install LOCK CASE



L400-Series Installation Sheet— Page 3

<p style="text-align: center;">2</p> <p>Install INDICATOR</p> <ol style="list-style-type: none"> Detach required driver bar and insert into lock case. Install indicator onto door and secure with screw. 	
<p style="text-align: center;">3</p> <p>Install OUTSIDE FULL FACE CYLINDER.</p> <ol style="list-style-type: none"> Assemble cylinder. Using a partially inserted key, screw the cylinder into the lock case. 	
<p style="text-align: center;">4</p> <p>Install THUMBTURN.</p> <ol style="list-style-type: none"> Insert the thumbturn in the vertical position. Throw deadbolt. Install two (2) thumbturn mounting screws. 	
<p style="text-align: center;">5</p> <p>Install INSIDE FULL FACE CYLINDER—follow step 4</p>	
<p style="text-align: center;">6</p> <p>Install CYLINDER TURN.</p> <ol style="list-style-type: none"> Assemble cylinder turn. Screw cylinder turn into lock case. 	
<p style="text-align: center;">7</p> <p>Install ARMOR FRONT</p> <ol style="list-style-type: none"> If needed, tighten the cylinder anchor screw until hand-tight. Tighten the two (2) lock case mounting screws. Place armor front in position and install two (2) armor front screws. 	

Ordering Procedures

To order Schlage products, descriptive data should be in the same sequence as shown below.

Line Item	Qty	Product	Outside		Inside		Hand	Latch	Strike	DR THK	EXT	DIM	Additional Details
			DES	FIN	DES	FIN							
1	2	3	4	5	6	7	8	9	10	11	12	13	14

- 1) **Line Item:** Line item number.
- 2) **Qty:** Quantity.
- 3) **Product:** Complete lock product or part number.
- 4) **Outside DES:** Outside design code.
- 5) **Outside FIN:** Outside finish code.
- 6) **Inside DES:** Inside design code. Leave blank if same as outside design code.
- 7) **Inside FIN:** Inside finish code. Leave blank if same as outside finish code.
- 8) **Hand:** Hand of door. Only one hand allowed per line item. Example: RH=Right Hand, LH=Left Hand, RR=Right Reverse, LR=Left Revers
- 9) **Latch:** Latch. Leave blank for standard or specify part number if non-standard latch is required.
- 10) **Strike:** Strike. Leave blank for standard or specify part number if non-standard strike is required. LLL=Less Strike.
- 11) **DR THK:** Door thickness. Enter door thickness if non-standard. Example: 138= $\frac{3}{8}$ ", 214= $2\frac{1}{4}$ ", 212= $2\frac{1}{2}$ ".
- 12) **EXT:** Extension. Enter one of the following when doors 2" thick or greater are specified: EE=Extended Equally, EI=Extended Inside, EO=Extended Outside, ED=Extended Differently. EI or EO assumes the latch with be centered on $1\frac{3}{4}$ " door, to which material has been added.
- 13) **DIM:** Enter dimension for non-standard strike lip length and mortise cylinder or blocking ring length.
- 14) **Additional Details:** Enter detail for keying information and for special requirements.
- 15) **Examples**

One mortise cylinder, $1\frac{1}{4}$ " long, which will operate a Von Duprin exit device.													
17	1	20-001		626								114	

One hotel function L-Series lock with 17B trim in 625. Left hand door.													
18	1	L9485P	17B	625			LH					114	

Five replacement inside L escutcheons with "EZ" turn, in satin stainless steel, to be used with 06 lever on $1\frac{3}{4}$ " doors.													
19	5	09-633			06L	630				134			w/ EZ turn per XL11-800

Finishes

Schlage Lock finishes are durable, top quality finishes obtained by the careful processing of solid brass, bronze, stainless steel, or other materials.

Where required, a protective clear coating is applied and cured under high temperature. It is important that the climatic conditions and usage be taken into consideration when selecting finishes. This is especially true in areas subjected to strong corrosive vapors, humid climate, or sea air which, in short time, may have a damaging effect on metal finishes.

The longevity and preservation of the finish appearance is determined by base metal and finishing process. Clear protective coating or other organic finishing applications may require different methods of cleaning and care. For example, non-clear coated finishes should not be cleaned with any soaps or solvents. Organically coated surfaces should periodically be cleaned with a mild non-abrasive soap and be buffed lightly with a clean cloth. The type of base metal and finishing techniques must be considered when applying any cleaning or preservative method. Contact the Schlage Technical Services Department for further information on the care of finished hardware.

In some instances for customer convenience, the most appropriate BHMA (Builders Hardware Manufacturers Association) finish symbols are used to indicate similarity of appearance regardless of base metal or finishing process. Finish numbers in the 600-Series are the BHMA industry standard. The nearest former U.S. equivalent code designations are shown in parenthesis.

Finish Codes and Descriptions

Code	Description
605 (US 3)	Bright Brass, Clear Coated
606 (US 4)	Satin Brass, Clear Coated
612 (US 10)	Satin Bronze, Clear Coated
613 (US 10B)	Oil Rubbed Bronze, Oxidized Satin Bronze, Oil Rubbed, No coating
625 (US 26)	Bright Chromium Plated, No coating
626 (US 26D)	Satin Chromium Plated, No coating
629 (US 32)	Bright Stainless Steel, No coating
630 (US 32D)	Satin Stainless Steel, No coating

Finish Availability

	Finish							
	605	606	612	61	625	626	629	630
Knobs*								
41, 42	•	•	•	•	•	•	•	•
Levers								
01, 02, 05, 18					•	•		•
03, 06, 07, 12, 17, 93	•	•	•	•	•	•	•	•
Roses								
A, B	•	•	•	•	•	•	•	•
Escutcheons								
L, N	•	•	•	•	•	•	•	•

* Available in Distributor Pack only.

Limited Warranty

Schlage® Lock Company (the “Company”) warrants to the original purchaser the products manufactured by it (the “Product”) to be free of defects in material and workmanship. Provided: (i) The Company has been notified within three years of purchase date and been given the opportunity of inspection by return of any alleged defective Product to the Company, or its authorized distributor, at the address specified here, free and clear of all liens and encumbrances, transportation prepaid, accompanied by the statement of defects and proof of purchase; and (ii) the Product has not been modified, abused, misused or improperly installed, maintained and/or repaired during such period; and (iii) Such defect has not been caused by corrosion or ordinary wear and tear.

EXCEPTION: The Company will not warrant ANSI A156.2 Grade 2 key-in-lever Product installed on educational facilities.

Small Format Interchangeable Core (SFIC) Warranty

Regardless of the manufacturer of the cores used, the Limited Warranty applies to all Schlage small format interchangeable core locks and housings. Regardless of the manufacturer of the locks and housings in which they are used, the Limited Warranty applies to all Schlage small format interchangeable cores. The subsequent use of unauthorized cylinders, cams or other components with our products shall void this warranty.

THE COMPANY MAKES NO OTHER WARRANTY, AND ALL IMPLIED WARRANTIES INCLUDING ANY WARRANTY OF MERCHANTABILITY OR FITNESS FOR A PARTICULAR PURPOSE ARE LIMITED TO THE DURATION OF THE EXPRESSED WARRANTY PERIOD AS SET FORTH ABOVE. THE COMPANY’S MAXIMUM LIABILITY HEREUNDER IS LIMITED TO THE PURCHASE PRICE OF THE PRODUCT. IN NO EVENT SHALL THE COMPANY BE LIABLE FOR ANY CONSEQUENTIAL, INDIRECT, INCIDENTAL OR SPECIAL DAMAGES OF ANY NATURE ARISING FROM THE SALE OR USE OF THIS PRODUCT, WHETHER IN CONTRACT, TORT, STRICT LIABILITY OR OTHERWISE.

NOTE: Should the Product be considered a consumer product as may be covered by the Magnusson Moss Federal Warranty Act, please be advised that: (1) Some states do not allow limitations on incidental consequential damages or how long an implied warranty lasts so that the above limitations may not fully apply; (2) This warranty gives specific legal rights and a buyer may also have other rights which may vary from state to state.

For warranty service and shipping instructions, contact the Schlage Lock Company:

Customer Service
2000 Sierra Point Parkway
Brisbane, CA 94005-1850
(800) 847-1864
Fax (800) 452-0663

The Schlage Lock Company reserves the right to make changes in designs and specifications or to make additions or improvements on its products without notice and without incurring any obligation to incorporate them on products previously manufactured. The Schlage Lock Company is not responsible for any modification, addition or alteration to our products by others.

Ingersoll-Rand Company

Schlage Commercial

2315 Briargate Parkway, Ste. 700
Colorado Springs, CO 80920
(719) 388-7300
FAX (719) 388-7301

Customer Service

2000 Sierra Point Parkway
Brisbane, CA 94005-1850
(800) 847-1864
FAX (800) 452-0663
FAX (800) 616-6040

Order Entry

(800) 452-0665

Technical Services

3899 Hancock Expressway
Security, CO 80911
(800) 847-1864
FAX (719) 390-2682

International

Ingersoll-Rand Security and Safety
1076 Lakeshore Road East
Mississauga, Ontario, L5E 1E4, Canada
(905) 278-6128
FAX (905) 278-1413

Internet

www.schlage.com

