

PRODUCT CATALOG

Olympus Lock Commercial Grade Cabinet Locks & Accessories



**Patented Commercial
Pin Tumbler & IC Core
Cabinet Locks**

**Olympus 2000 Handles
Integrated Cabinet
Pull & Lock**

**Solid Brass Padlocks
ShurLok Lock Box**

July 2007

Olympus Lock, Inc.
18424 Highway 99
Lynnwood, Washington 98037
206-362-3290 • 800-525-0954
Fax 206-362-3569

Website:
www.olympus-lock.com
Email:
info@olympus-lock.com

OLYMPUS 
LOCK, INC.
The cabinet lock innovators.

THE CABINET LOCK INNOVATORS



Olympus® Lock, Inc. designs and manufactures easily rekeyable, pin tumbler cabinet locks and interchangeable core cabinet lock bodies for a broad range of commercial applications. Our mission is to create pin tumbler cabinet locks and accessories of unparalleled innovation, quality, keyway compatibility, and value in a manner which sets a new industry standard for excellence. Key advantages of Olympus Lock products include:

- ▶ **Easy Rekeyability** • Our patented rekeyability features have created a new level of expectation for the cabinet lock industry. Rekeyability saves the end user time and money when servicing is required.
- ▶ **Keyway Compatibility** • Olympus® manufactures the broadest assortment of pin tumbler keyways offered by any commercial cabinet lock company including:
 - Small pin cabinet locks with National or CCL keyways
 - Large pin cabinet locks with Schlage® C keyway or less cylinder to accept other manufacturers Schlage compatible key-in-knob cylinders
 - Lock bodies to accept Sargent® original cylinders
 - Small format IC core lock bodies that accept Arrow™, Best®, Falcon™, KSP or equivalent SFIC cores
 - IC core lock bodies that accept Corbin/Russwin IC cores
 - IC core lock bodies that accept large format IC Schlage®, Medeco® Keymark, and Mul-T-Lock IC cores
 - IC core lock bodies that accept 6-pin Medeco #32-0201 or Yale 1210 Series cores*We are your single source for pin tumbler cabinet locks!*
- ▶ **Innovation** • We are a customer driven organization with an emphasis on creating innovative products that meet the ever-changing needs of our customers both today and into the future. Our 6 U.S. patents and 3 Canadian patents prove our commitment to provide innovative solutions for your cabinet lock needs.
- ▶ **Reliability/Quality/Service** • It has always been the intent of Olympus® to provide cabinet locks that are easy to install, use, and service. Each product is carefully designed and engineered at our Seattle, Washington headquarters and is manufactured to exacting specifications for function, fit and finish.
- ▶ **Value** • Olympus® offers the best value in cabinet locks. In addition to our patented cabinet locks, we also offer a wide range of accessories to make the installation, use, and service of our products as easy as possible. Our key advantages matched with our modest pricing means you get the best product for the money.

TABLE OF CONTENTS

| | | | | | |
|----------------------------------|-------------|--|-------------|---|-------------|
| Reference Guides | Page | Medeco/Yale I.C. Core | Page | Rekeying/Reversing Instructions | Page |
| Finish Chart | 4 | 931DR | 23 | Rekeying Instructions | 51 |
| Numerical Index | 4 | 931DW | 23 | Reversing Instructions | 52 |
| Replacement Guide | 6 | | | | |
| National Keyway | Page | Small Format IC Core | Page | Installation Notes | Page |
| 100DR / 200DW | 7 | 206/207 SFIC Cores | 26 | DCN & DCR | 54 |
| 999, 998 | 9 | 720 | 27 | N078 & R078 | 53 |
| 300SD | 11 | 721 | 28 | 100, 200, 500, 600 | 52 |
| DCN1,2,3,4 | 12-13 | 722 | 29 | 300 & 400 | 53 |
| N078 | 14 | 723 | 29 | 700, 800, 777, 888 | 52 |
| | | 725RD / 725RL | 30 | 721, 931 | 52 |
| | | 725MD / 725ML | 31 | 720, 820, 920 | 56-57 |
| | | 728MBL | 32 | 722S & 722S-TBM | 58 |
| CCL Keyway | Page | 729R | 32 | 725 & CR1125 | 55 |
| 500DR / 600DW | 8 | 950IC | 25 | 723S | 59 |
| 997, 996 | 10 | | | 728 | 58 |
| 400SD | 11 | Corbin/Ruswin I.C. Core | Page | 729R | 55 |
| DCR1,2,3,4 | 12-13 | CR1125RD | 33 | 850 & 950 | 54 |
| R078 | 14 | CR1125RL | 33 | 999, 998, 997, 996 | 53 |
| | | | | | |
| Padlockable Cam Lock | Page | Olympus 2000 Handles | Page | Padlocks | Page |
| DCP | 34 | Integrated Handle | 35-38 | ShurLok Lock Box | 60 |
| | | Handle Specifications | 37 | Brass Padlock Detailed Specifications | 61 |
| Less Cylinder for Sargent | Page | | | Mountain Series (Blister Packed) | 62 |
| 754LC / 854LC | 15 | Parts & Accessories | Page | Olympus Series (Boxed) | 62 |
| | | CL-HIT-25 Drill Guide | 41 | Rekeyable (Schlage or Weiser Keyway) | 63 |
| | | Internal Spacers | 42 | Corbin/Ruswin IC Core | 63 |
| | | KABA Conversion Kit | 17 | | |
| Schlage "C" Keyway | Page | Keyblanks & Cut Keys | 40 | Miscellaneous | Page |
| 700SC | 16-17 | Pin Kits & Pin Accessories (N1/R1) | 39 | Cancellation Policy | 5 |
| 800SC | 16-17 | Reinforcing Spacers & Templates | 43-45 | Freight Policy | 5 |
| 820SC | 20-21 | Strikes | 46-47 | Minimum Order Amount | 5 |
| 850SC | 24 | Trim Rings / Trim Collars | 41 | Returned Goods Policy | 5 |
| L7080 | 18-19 | | | Terms & Conditions | 5 |
| | | | | Warranty | 5 |
| | | Olympus Display Boards | Page | | |
| Less Cylinder | Page | FDB-001 | 40 | | |
| 700LC | 16-17 | FDB-002 | 40 | | |
| 800LC | 16-17 | FDB-003 | 40 | | |
| 820LC | 20-21 | FDB-004 | 40 | | |
| 850LC | 24 | | | | |
| L7080LC | 18-19 | Architectural Specifications | Page | | |
| | | Best-Style I.C. Core | 48 | | |
| Schlage Large Format IC | Page | CCL Keyway | 50 | | |
| 920 | 20-21 | Corbin/Ruswin I.C. Core | 48 | | |
| 777IC-DR | 22 | National Keyway | 50 | | |
| 888IC-DW | 22 | Olympus 2000 Handles | 49 | | |
| | | Schlage Keyway (standard cylinder) | 49 | | |
| | | Schlage Large Format IC Core | 48 | | |
| | | Sargent Lock Bodies | 49 | | |

NUMERICAL INDEX

| Item | Page | Item | Page | Item | Page | Item | Page |
|--------------|-------|--------------|-------|---------------|-------|-----------------|-------|
| 078-LB-DR | 14 | 720-KR | 21,27 | BP075 | 61-62 | KB-101-NP | 40 |
| 07S | 46 | 720LM/DM | 27 | BP100 | 61-62 | KB-103-NP | 40 |
| 10-052 | 46 | 720-PL3 | 21,27 | BP125 | 61-62 | KB-107-NP | 40 |
| 10-054 | 46 | 721 | 28 | BP125-LS | 61-62 | KB-4T2-NP | 40 |
| 10-055 | 46 | 722 | 29 | BP150 | 61-62 | KB-4T3-NP | 40 |
| 10-056 | 46 | 723 | 29 | BP150-LS | 61-62 | KB-700-101 | 40 |
| 100DR | 7 | 725MD | 31 | BP175 | 61-62 | KB-700-102 | 40 |
| 102-015-4 | 38 | 725ML | 31 | BP200 | 61-62 | KB-700MK | 40 |
| 102-015-4SC | 38 | 725RD | 30 | CL-HIT-25 | 40 | KB-915-NP | 40 |
| 102-015-96 | 38 | 725RL | 30 | CR1125 | 33 | KB-GM1MK-NP | 40 |
| 102-015-96SC | 38 | 725-SP-MD | 47 | CRB200-IC6 | 63 | KB-GM2MK-NP | 40 |
| 10-350 | 42 | 725-SP-ML | 47 | CRB200-IC6-LS | 63 | KBN-4-CUST | 40 |
| 10-351 | 42 | 725-SP-RD | 47 | DCN | 12-13 | KBN-4-NP | 40 |
| 12-1 | 46 | 725-SP-RL | 47 | DCNP-100-BC | 9 | KBN-5-CUST | 40 |
| 12-2 | 46 | 728MBL | 32 | DCNP-100-BC5 | 9 | KBN-5-NP | 40 |
| 2000MED-DR | 38 | 729R | 32 | DCNP-100-LBC | 9 | KB-R1MK-NP | 40 |
| 2000MED-DW | 38 | 729RS-1 | 32 | DCNP-100-LC | 9 | KBR-5-CUST | 40 |
| 2001LP | 35-38 | 729RS-2 | 32 | DCNP-100-SC | 9 | KBR-5-NP | 40 |
| 2001LPD | 35-38 | 729RS-3 | 32 | DCNP-100-WB | 9 | KBR-6-CUST | 40 |
| 2001SP | 35-38 | 754 | 15 | DCNP-200-KDR | 9 | L781 | 18 |
| 2001SPD | 35-38 | 777 | 22 | DCNP-200-KR | 9 | L78-KNOB | 18 |
| 2002LP | 35-38 | 78-KABA-CONV | 17 | DCNP-200-OC | 9 | L78L | 18 |
| 2002LPD | 35-38 | 800 | 16-17 | DCNP-300-FP | 9 | L78R | 18 |
| 2002SP | 35-38 | 820 | 20-21 | DCNP-500-ARP | 9 | L78ST-1 | 47 |
| 2002SPD | 35-38 | 850 | 24 | DCP | 34 | L78ST-2 | 47 |
| 2003LP | 35-38 | 850-210 | 47 | DCP-LBC | 34 | L78V | 18 |
| 2003LPD | 35-38 | 850-211 | 47 | DCP-LBC-178 | 34 | N078 | 14 |
| 2003SP | 35-38 | 854 | 15 | DCP-LC | 34 | N1 | 39 |
| 2003SPD | 35-38 | 888 | 22 | DCP-LC-112 | 34 | R078 | 14 |
| 2004SP | 35-38 | 920 | 20-21 | DCP-LC-134 | 34 | R1 | 39 |
| 2004SPD | 35-38 | 931 | 23 | DCP-SC | 34 | RB175SC-COMP | 63 |
| 200DW | 7 | 950 | 26 | DCR | 12-13 | RB175SC-COMP-LS | 63 |
| 206 | 26 | 996I | 10 | ETS1-125 | 44 | RB175WSR-D-NL | 63 |
| 207 | 26 | 996V | 10 | ETS1-250 | 44 | RB175WSR-D-NLLS | 63 |
| 2LPD-KEPR | 47 | 997L | 10 | ETS1B | 44 | SL-100W | 60 |
| 2LPD-SP | 47 | 997R | 10 | ETS1-PL | 45 | SL-150 | 60 |
| 2SPD-KEPR | 47 | 998I | 10 | ETS2-125 | 43 | SL-160 | 60 |
| 2SPD-SP | 47 | 998V | 10 | ETS2-250 | 43 | SL-170 | 60 |
| 300SD | 11 | 999L | 10 | ETS2-PL | 45 | SL-200W | 60 |
| 400SD | 11 | 999R | 10 | ETS3 | 43 | SL-300W | 60 |
| 500DR | 8 | 999-STRIKE | 47 | ETS4 | 44 | SW-1 | 21,27 |
| 56-1 | 46 | B075 | 61-62 | ETS5 | 44 | TR1256 | 41 |
| 600DW | 8 | B100 | 61-62 | ETS6 | 43 | TR200A | 41 |
| 700 | 16-17 | B125 | 61-62 | ETST1 | 44 | TR201 | 41 |
| 720-3-1 | 21,27 | B125-LS | 61-62 | ETST2 | 43 | TR202 | 41 |
| 720-3-2 | 21,27 | B150 | 61-62 | ETST3 | 43 | TR203 | 41 |
| 720-3-3 | 21,27 | B150 | 61-62 | ETST6 | 43 | TR78 | 41 |
| 720-3-4 | 21,27 | B150LS | 61-62 | FDB-001 | 40 | WP21 | 42 |
| 720-3-5 | 21,27 | B175 | 61-62 | FDB-002 | 40 | WP22 | 42 |
| 720-CDDM | 21,27 | B200 | 61-62 | FDB-003 | 40 | WP23 | 42 |
| 720-CDLM | 21,27 | B250 | 61-62 | FDB-004 | 40 | | |

ARCHITECTURAL FINISH CHART

Standard finishes:

Not all finishes available on all products. See catalog page for the standard finishes available for a specific item.

| Finish | Description |
|-----------------|-----------------------|
| US26 625 | Bright chrome |
| US26D 626 | Dull chrome |
| US3 605 | Bright brass |
| US4 606 | Satin brass |
| US32D 630 | Satin stainless steel |

Special order finishes:

Other finishes not listed below may be available. Call Olympus Lock for price and availability.

| Finish | Description |
|-----------------|-------------------|
| US10B 613 | Oil rubbed bronze |
| US19 622 | Flat black coated |

TERMS AND CONDITIONS OF SALE

Conditions of Sale

Payment Terms: 2% 10 days, net 30 days. All payment terms are subject to credit approval.

Remittance Address: All payments should be sent by mail to: Olympus Lock, Inc., PO Box 1277, Lynnwood, WA 98046

Minimum Order: \$25.00 net excluding freight.

Prices: Olympus Lock, Inc. reserves the right to change pricing at any time and without prior notice.

Conditions: All specifications are subject to withdrawal or change at any time and without prior notice. Olympus Lock reserves the right to refuse orders which may be submitted. All prices F.O.B. Lynnwood, Washington, US Funds.

Office Hours & Contact Information

Office Hours: 7:00 am to 4:00 pm Pacific Standard Time

Phone: 206-362-3290

Toll-Free: 800-525-0954

Fax: 206-362-3569

Street Address: 18424 Highway 99, Lynnwood, WA 98037

Remittance Address: PO Box 1277, Lynnwood, WA 98046

U.S. Shipments

All merchandise is shipped F.O.B. from our Lynnwood, Washington warehouse and becomes the property of the customer when accepted by the carrier. Olympus Lock will pay freight charges on orders of \$1,000.00 net or more to a single destination within the continental U.S.A. (excluding Alaska) via the carrier of our choice. For Hawaii and Alaska Customers: Olympus will pay freight on shipments of \$1,000.00 net or more to closest West Coast port.

Canadian Shipments

All merchandise is shipped F.O.B. our Lynnwood, Washington warehouse and becomes the property of the customer when accepted by the carrier. Olympus Lock will pay freight charges on Canadian orders of \$1,000.00 net or more to closest U.S.A. border crossing via the carrier of our choice provided this information is clearly specified at time of order. Olympus Lock will pay freight charges on Canadian orders of \$2,000.00 net or more to a single Canadian destination via the carrier of our choice. All duty and/or customs charges are the sole responsibility of the customer.

Delivery

Claims resulting from loss, shortages or damage-in-transit must be reported to Olympus Lock within 15 days of delivery.

Any claims resulting from shortages, overages, or the shipment of incorrect products by Olympus Lock must be reported to Olympus Lock within 15 days of delivery.

Olympus Lock does not assume responsibility for any damages resulting from any delays in delivery.

Returned Goods Policy

No material is to be returned without our verbal or written permission in advance. All returned goods require a Returned Goods Authorization (RGA) number to be obtained from Olympus Lock prior to returning the goods. Only products purchased within the last 12 months may be returned. Any products purchased more than 12 months prior are ineligible for return. Whether goods may be returned will be at the sole discretion of Olympus Lock, Inc. Merchandise returned must be identified as to original purchase order number, date of purchase, and shippers name and address.

A 25% restocking fee will apply to all returned goods which are found not to be the responsibility of Olympus Lock.

All goods must be shipped freight prepaid and received at our warehouse within 30 days of receiving an RGA number. Goods not received within 30 days of RGA issuance or for which an RGA number was not issued will not be returned and no credit will be issued.

Returned goods must be received in first-class resaleable condition and in original factory packaging. The determination of "first-class resaleable condition" will be at the sole discretion of Olympus Lock. Goods that are returned and determined by Olympus Lock not to be in first-class resaleable condition will not be returned, will be scrapped at the factory, and no credit will be issued.

The following are non-returnable:

1. Custom keyed, non-stock items
2. Goods that have been installed
3. Goods that required custom stamping
4. Goods with custom finishes
5. Products or parts that have been modified
6. Obsolete or discontinued items

Limited Warranty

Olympus Lock warrants that its products are free from defects in workmanship and materials under normal installation, use and service. This warranty does not cover defects or damages arising from improper installation, improper maintenance, ordinary wear and tear, misuse or abuse.

The only liability of the company in tort or in contract, whether under this warranty or otherwise shall be limited to repair or replacement of products which are returned prepaid to us within one year of the date of original purchase.

This is a limited warranty and is in lieu of all other representations and expressed or implied warranties. Under no circumstances shall Olympus Lock be made liable for any incidental or consequential damages or losses.

Cancellations

Cancellations or alterations to orders will be accepted only when the cancellation or alteration can be made without loss to Olympus Lock. Orders for non-stock and/or custom items may not be cancelled after work has begun.



REPLACEMENT GUIDE

Information given is for dimensional and keyway replacement only. Olympus Lock cabinet locks differ from other manufacturer's locks because they are covered by at least two patents and are easily rekeyable in five minutes or less with readily available tools.

| National Cabinet Lock | | | Olympus Lock ** | | |
|-----------------------|--------------|---------|-----------------|--------------|---------|
| C8102 | Cam Lock | 1-1/16" | DCN1 | Cam Lock | 1-1/16" |
| C8103 | Cam Lock | 1-3/16" | DCN2 | Cam Lock | 1-3/16" |
| C8106 | Cam Lock | 1-7/16" | DCN3 | Cam Lock | 1-7/16" |
| C8108 | Cam Lock | 1-3/4" | DCN4 | Cam Lock | 1-3/4" |
| C8109 | Cam Lock | 1-3/4" | DCN4 | Cam Lock | 1-3/4" |
| C8173 | Door Lock | 7/8" | 100DR | Door Lock | 7/8" |
| C8174 | Door Lock | 1-1/8" | 100DR | Door Lock | 1-3/8" |
| C8175 | Door Lock | 1-3/8" | 100DR | Door Lock | 1-3/8" |
| C8178 | Drawer Lock | 7/8" | 200DW | Drawer Lock | 7/8" |
| C8177 | Drawer Lock | 1-1/8" | 200DW | Drawer Lock | 1-3/8" |
| C8179 | Drawer Lock | 1-3/8" | 200DW | Drawer Lock | 1-3/8" |
| <i>Not Available</i> | | | 200DW | Drawer Lock | 1-5/8" |
| C8142 | Sliding Door | 1-1/8" | 300SD | Sliding Door | 1-1/8" |
| C8163 | Drawer Lock | 7/8" | N078 | Drawer | 1-1/8" |
| <i>Not Available</i> | | | N078 | Drawer | 1-3/8" |
| <i>Not Available</i> | | | N078L/R | Door | 1-1/8" |
| <i>Not Available</i> | | | N078L/R | Door | 1-3/8" |
| C8131 | Drawer Latch | 7/8" | 998 | Drawer Latch | 7/8" |
| <i>Not Available</i> | | | 998 | Drawer Latch | 1-3/8" |
| C8139 | Door Latch | 3/4" | 999 | Door Latch | 7/8" |
| <i>Not Available</i> | | | 999 | Door Latch | 1-3/8" |

| Corbin/CCL Sec. Prod. | | | Olympus Lock ** | | |
|-----------------------|--------------|---------|-----------------|--------------|---------|
| 15748 | Cam Lock | 5/8" | DCR1 | Cam Lock | 1-1/16" |
| 15749 | Cam Lock | 13/16" | DCR1 | Cam Lock | 1-1/16" |
| 15750 | Cam Lock | 1" | DCR1 | Cam Lock | 1-1/16" |
| 15783 | Cam Lock | 1" | DCR1 | Cam Lock | 1-1/16" |
| 15890 | Cam Lock | 1-5/16" | DCR3 | Cam Lock | 1-7/16" |
| 0666 1/2 | Drawer Latch | 7/8" | 996 | Drawer Latch | 7/8" |
| 0666 1/2 | Drawer Latch | 1-1/8" | 996 | Drawer Latch | 1-3/8" |
| <i>Not Available</i> | | | 997 | Door Latch | 7/8" |
| <i>Not Available</i> | | | 997 | Door Latch | 1-3/8" |
| 0737 | Door Lock | 3/4" | 500DR | Door Lock | 7/8" |
| 0737 | Door Lock | 7/8" | 500DR | Door Lock | 7/8" |
| 0737 | Door Lock | 1-1/8" | 500DR | Door Lock | 1-3/8" |
| 0737 | Door Lock | 1-3/8" | 500DR | Door Lock | 1-3/8" |
| 0738 | Drawer Lock | 3/4" | 600DW | Drawer Lock | 7/8" |
| 0738 | Drawer Lock | 7/8" | 600DW | Drawer Lock | 7/8" |
| 0738 | Drawer Lock | 1-1/8" | 600DW | Drawer Lock | 1-3/8" |
| 0738 | Drawer Lock | 1-3/8" | 600DW | Drawer Lock | 1-3/8" |
| 02063 | Drawer Lock | 7/8" | R078 | Drawer Lock | 1-1/8" |
| 02291 | Sliding Door | 7/8" | 400SD | Sliding Door | 1" |

| Best Lock | | Olympus Lock | |
|-----------|--------------|--------------|---------------|
| Best | 3L7RD2 | Olympus | 721DW / 721DR |
| Best | 5L7RD2 | Olympus | 725RD-DW-VH |
| Best | 5L7RD3 | Olympus | 725RD-DR-RH |
| Best | 5L7RD4 | Olympus | 725RD-DR-LH |
| Best | 5L7RD5 | Olympus | 725RD-DW-IH |
| Best | 5L7RL2 | Olympus | 725RL-DW-VH |
| Best | 5L7RL3 | Olympus | 725RL-DR-RH |
| Best | 5L7RL4 | Olympus | 725RL-DR-LH |
| Best | 5L7RL5 | Olympus | 725RL-DW-IH |
| Best | 5L7MD2 | Olympus | 725MD-DW-VH |
| Best | 5L7MD3 | Olympus | 725MD-DR-RH |
| Best | 5L7MD4 | Olympus | 725MD-DR-LH |
| Best | 5L7MD5 | Olympus | 725MD-DW-IH |
| Best | 5L7ML2 | Olympus | 725ML-DW-VH |
| Best | 5L7ML3 | Olympus | 725ML-DR-RH |
| Best | 5L7ML4 | Olympus | 725ML-DR-LH |
| Best | 5L7ML5 | Olympus | 725ML-DW-IH |
| Best | 8L | Olympus | 728MBL |
| Best | 1E7D4, 1E7E4 | Olympus | 720 |
| Best | 2S | Olympus | 722 |
| Best | 2S-TBM | Olympus | 722-TBM |
| Best | 3S | Olympus | 729R |
| Best | 4S | Olympus | 723S |

General features:

Rekeyable: Easily rekeyable via set screw cylinder release mechanism

Keyway: National D4291 (4 pin) or D4292 (5 pin) keyway

Certifications: Tested to ANSI/BHMA A156.11 Grade 1 cycle testing. Withstood in excess of 40,000 cycles with no damage. All other requirements of ANSI/BHMA A 156.11, no less than Grade 2 performance was attained.

US Patent Nos: 4,899,563; 4,920,774

Body: Zinc die cast lock body

Cylinder: Solid brass pin tumbler cylinder

Barrel diameter: 7/8"

Finish: 26D, US4 or 10B

Keys: Nickel plated keys / keyblanks

Stock keying: KD/KA - 4 pin standard

Stock KA# 101, 103, 107, 915

Masterkeying: 5 pin standard

Packaging: Packed 10 per box

Optional Accessories:

KBN-4-NP 4-pin keyblanks

KBN-5-NP 5-pin keyblanks

WP21, WP22, WP23 spacers

07S, 12-1, 12-2 strikes

TR1256 trim rings

Reinforcing trim spacers ETS2, trim pull ETS2-PL and template ETST2 for through-bolt mount

Other Information:

Installation notes: Page 52

Rekeying instructions: #4, Page 51

Architectural specifications: Page 48

100DR features:

Function: Door lock

Barrel lengths: 1" or 1-3/8"

Includes: Bar strike 56-1

200DW features:

Function: Drawer lock

Barrel lengths: 1", 1-3/8" or 1-5/8"

Includes: Bar strike 56-1

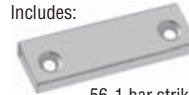


100DR



200DW

Includes:



56-1 bar strike

| Part No. | Finish | For Material | Keying |
|----------|---------------|--------------|-------------------------|
| 100DR | 26D, US4, 10B | 7/8" | KD, KA# 101,103,107,915 |
| 100DR | 26D, US4, 10B | 7/8" | Custom |
| 100DR | 26D, US4 | 1-3/8" | KD, KA# 101,103,107,915 |
| 100DR | 26D, US4 | 1-3/8" | Custom |
| 200DW | 26D, US4, 10B | 7/8" | KD, KA# 101,103,107,915 |
| 200DW | 26D, US4, 10B | 7/8" | Custom |
| 200DW | 26D, US4, 10B | 1-3/8" | KD, KA# 101,103,107,915 |
| 200DW | 26D, US4, 10B | 1-3/8" | Custom |
| 200DW | 26D | 1-5/8" | KD, KA# 101,915 |
| 200DW | 26D | 1-5/8" | Custom |

Optional Accessories:

12-2-26D heavy duty angle strike



WP21 3/32" plastic spacer



WP22 1/4" plastic spacer



WP23 1/2" plastic spacer

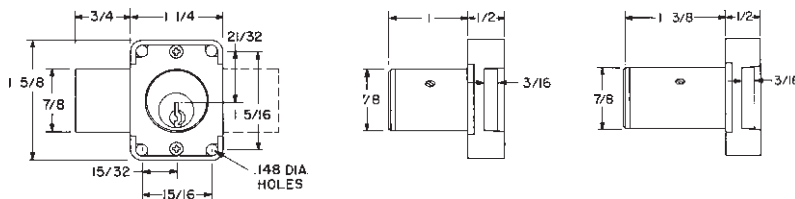


ETS2 & ETST2 spacers
U.S. Patent No. D490,686 S

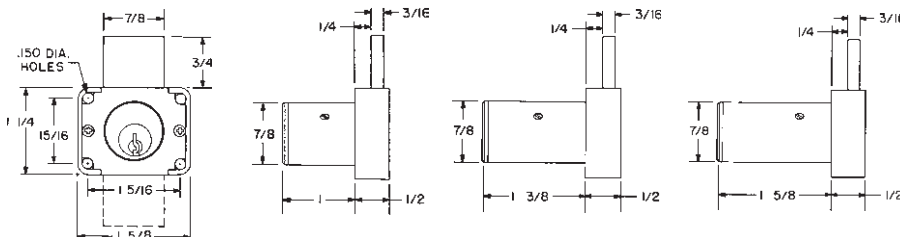


ETS2-PL cabinet pull

100DR Dimensions:



200DW Dimensions:



General features:

Rekeyable: Easily rekeyable via set screw cylinder release mechanism

Keyway: CCL R1 Keyway

Certifications: Tested to ANSI/BHMA A156.11 Grade 1 cycle testing. Withstood in excess of 40,000 cycles with no damage. All other requirements of ANSI/BHMA A 156.11, no less than Grade 2 performance was attained.

US Patent Nos: 4,899,563; 4,920,774

Body: Zinc die cast lock body

Cylinder: Solid brass pin tumbler cylinder

Barrel diameter: 7/8"

Finish: 26D, US4 or 10B

Keys: Nickel plated keys / keyblanks

Stock keying: KD/KA - 5 pin standard

Stock KA# 4T21579, 4T37526

Masterkeying: 5 pin standard

Packaging: Packed 10 per box

500DR features:

Function: Door lock

Barrel lengths: 1" or 1-3/8"

Includes: Bar strike 56-1

600DW features:

Function: Drawer lock

Barrel lengths: 1" or 1-3/8"

Includes: Bar strike 56-1



500DR



600DW

Includes:



56-1 bar strike

Optional Accessories:

KBR-5-NP 5-pin keyblanks

WP21, WP22, WP23 spacers

07S, 12-1, 12-2 strikes

TR1256 trim rings

Reinforcing trim spacers ETS2, trim pull

ETS2-PL and template ETST2 for through-bolt mount

Other Information:

Installation notes: Page 52

Rekeying instructions: #4, Page 51

Architectural specifications: Page 48

Optional Accessories:

12-2-26D heavy duty angle strike



WP21 3/32" plastic spacer



WP22 1/4" plastic spacer



WP23 1/2" plastic spacer

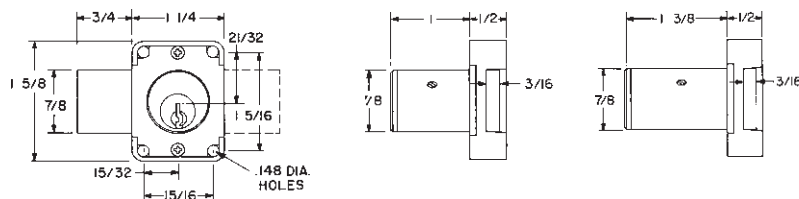


ETS2 & ETST2 spacers
U.S. Patent No. D490,686 S

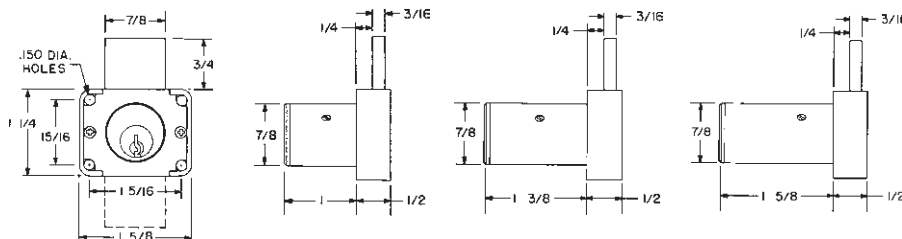


ETS2-PL cabinet pull

500DR Dimensions:



600DW Dimensions:



998/999

SERIES LATCH LOCKS

National D4291/D4292 Keyway

General features:

- Function:** Door or drawer lock
- Reversible:** Easily reversible between door/drawer function
- Rekeyable:** Easily rekeyable via set screw cylinder release mechanism
- US Patent Nos:** 4,899,563; 4,920,774
- Body:** Zinc die cast lock body
- Cylinder:** Solid brass pin tumbler cylinder
- Barrel lengths:** 1" or 1-3/8"
- Barrel diameter:** 7/8"
- Includes:** Matching latch strike
- Drawer handing:** 998V (vertical-hand) or 998I (left-hand)
- Door handing:** 999R (right-hand) or 999L (left-hand)
- Finish:** 26D or US4
- Packaging:** Packed 10 per box

Optional Accessories:

- KBN-4-NP 4-pin keyblanks
- KBN-5-NP 5-pin keyblanks
- ETST6 spacers
- TR1256 trim rings
- Reinforcing trim spacers ETS6 and template ETST6 for through-bolt mount

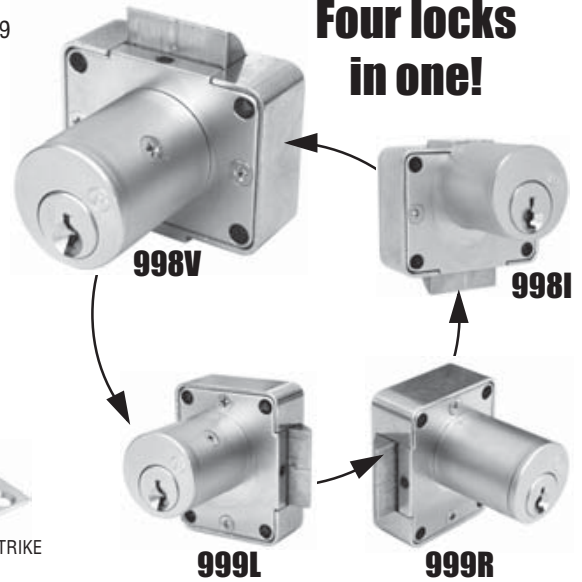
Other Information:

- Installation notes:** Page 53
- Rekeying instructions:** #4, Page 51
- Reversing instructions:** #1, Page 52
- Architectural specifications:** Page 48

Keying:

- Keyway:** National D4291 (4 pin) or D4292 (5 pin) keyway
- Keys:** Nickel plated keys / keyblanks
- Stock keying:** KD/KA - 4 pin standard
- Stock KA# 101, 103, 107, 915
- Masterkeying:** 5 pin standard

Four locks in one!



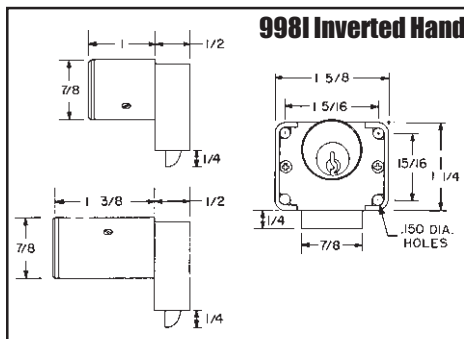
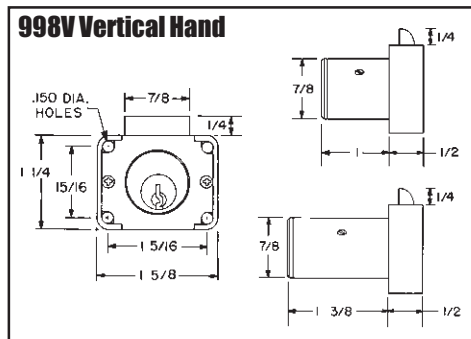
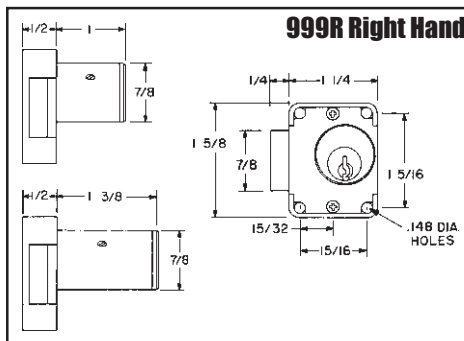
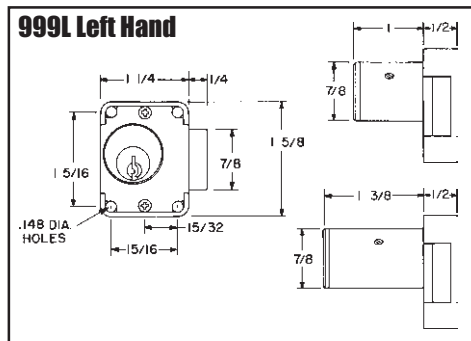
4-Way Field Reversible!

Includes:



| *Part No. | Finish | For Material | Keying |
|-----------|--------|--------------|---------------------------------------|
| 999R | 26D | US4 | 7/8" 1-3/8" KD, KA 101, 103, 107, 915 |
| 999R | 26D | US4 | 7/8" 1-3/8" Custom |
| 999L | 26D | US4 | 7/8" 1-3/8" KD, KA 101, 103, 107, 915 |
| 999L | 26D | US4 | 7/8" 1-3/8" Custom, |
| 998V | 26D | US4 | 7/8" 1-3/8" KD, KA 101, 103, 107, 915 |
| 998V | 26D | US4 | 7/8" 1-3/8" Custom, |
| 998I | 26D | US4 | 7/8" 1-3/8" KD, KA 101, 103, 107, 915 |
| 998I | 26D | US4 | 7/8" 1-3/8" Custom |

*Part No. = Initial configuration - lock can be reconfigured into any of the other three handings.



Optional Accessories:



ETS6 & ETST6 spacers
U.S. Patent No. D490,686 S



996/997

SERIES LATCH LOCKS

CCL R1 Keyway

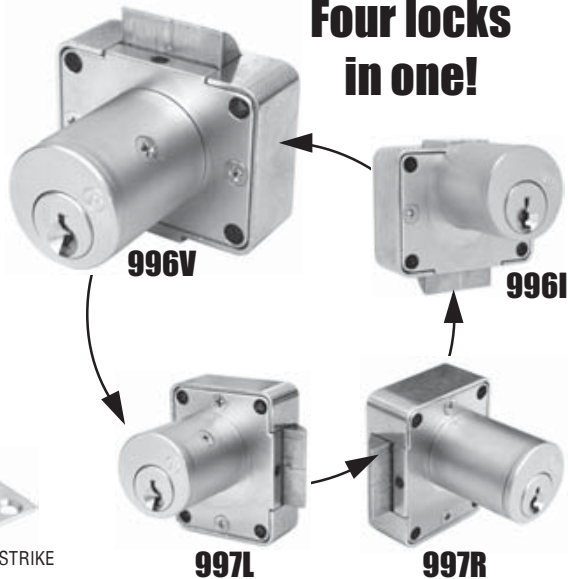
General features:

Function: Door or drawer lock
Reversible: Easily reversible between door/drawer function
Rekeyable: Easily rekeyable via set screw cylinder release mechanism
US Patent Nos: 4,899,563; 4,920,774
Body: Zinc die cast lock body
Cylinder: Solid brass pin tumbler cylinder
Barrel lengths: 1" or 1-3/8"
Barrel diameter: 7/8"
Includes: Matching latch strike
Drawer handing: 996V (vertical-hand) or 996I (left-hand)
Door handing: 997R (right-hand) or 997L (left-hand)
Finish: 26D or US4
Packaging: Packed 10 per box

Keying:

Keyway: CCL R1 Keyway
Keys: Nickel plated keys / keyblanks
Stock keying: KD/KA - 5 pin standard
 Stock KA# 4T21579, 4T37526
Masterkeying: 5 pin standard

Four locks in one!



4-Way Field Reversible!



Optional Accessories:

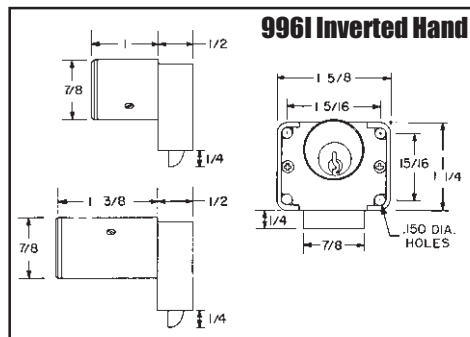
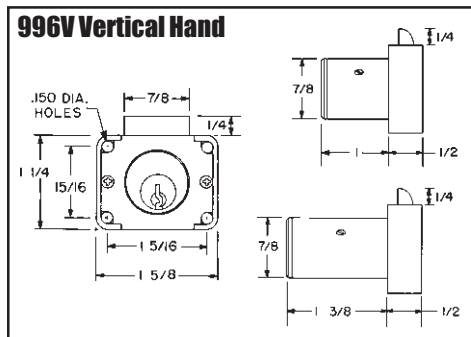
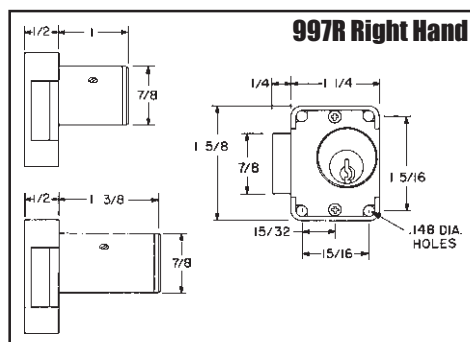
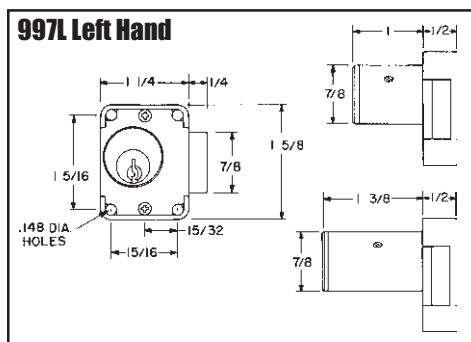
KBR-5-NP 5-pin keyblanks
 ETST6 spacer
 TR1256 trim rings
 Reinforcing trim spacers ETS6 and template ETST6 for through-bolt mount

Other Information:

Installation notes: Page 53
Rekeying instructions: #4, Page 51
Reversing instructions: #1, Page 52
Architectural specifications: Page 48

| * Part No. | Finish | For Material | Keying | |
|------------|--------|--------------|-------------|-------------------------|
| 997R | 26D | US4 | 7/8" 1-3/8" | KD, KA 4T21579, 4T37526 |
| 997R | 26D | US4 | 7/8" 1-3/8" | Custom |
| 997L | 26D | US4 | 7/8" 1-3/8" | KD, KA 4T21579, 4T37526 |
| 997L | 26D | US4 | 7/8" 1-3/8" | Custom, |
| 996V | 26D | US4 | 7/8" 1-3/8" | KD, KA 4T21579, 4T37526 |
| 996V | 26D | US4 | 7/8" 1-3/8" | Custom, |
| 996I | 26D | US4 | 7/8" 1-3/8" | KD, KA 4T21579, 4T37526 |
| 996I | 26D | US4 | 7/8" 1-3/8" | Custom |

*Part No. = Initial configuration - lock can be reconfigured into any of the other three handings.



Optional Accessories:



ETS6 & ETST6 spacers
 U.S. Patent No. D490,686 S

300/400

SERIES PLUNGER LOCKS

National Keyway or CCL Keyway

General features:

Function: Plunger lock

Reversible: Easily field reversible between door and drawer functions

Rekeyable: Easily rekeyable via speed-release cylinder release mechanism

U.S. Patent Nos: 4,899,563; 4,920,774; 5,121,619

Body: Zinc die cast lock body

Cylinder: Solid brass pin tumbler cylinder

Barrel length: 1"

Barrel diameter: 1"

Finish: 26D, US3 or 10B

Keys: Nickel plated keys / keyblanks

Packaged: Packed 10 per box

300SD features:

Keyway: National D4291 (4 pin) or D4292 (5 pin) keyway

Stock keying: KD/KA - 4 pin standard
Stock KA# 101, 103, 107, 915

Masterkeying: 5 pin standard

Keyblanks 4-pin: KBN-4-NP

Keyblanks 5-pin: KBN-5-NP

400SD features:

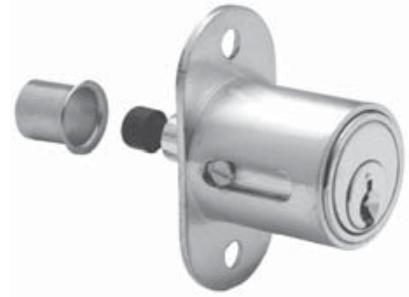
Keyway: CCL R1 keyway

Stock keying: KD/KA - 5 pin standard

Stock KA# 4T21579, 4T37526

Masterkeying: 5 pin standard

Keyblanks 5-pin: KBR-5-NP



Includes:

10-24 machine thread bolt extender for

varying gaps between bypassing doors

10-24 machine thread strike locator

Matching thimble strike

Other Information:

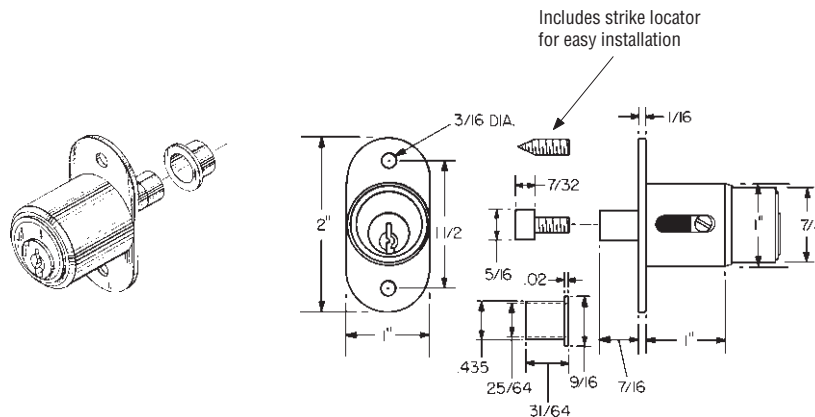
Installation notes: Page 53

Rekeying instructions: #3, Page 51

Architectural specifications: Page 48

| Part No. | Keyway | Finish | Length | Keying |
|----------|----------|---------------|--------|-------------------------|
| 300SD | National | 26D, US3, 10B | 1" | KD, KA 101,103,107,915 |
| 300SD | National | 26D, US3, 10B | 1" | Custom |
| 400SD | CCL | 26D, US3, 10B | 1" | KD, KA 4T21579, 4T37526 |
| 400SD | CCL | 26D, US3, 10B | 1" | Custom |

300SD/400SD Dimensions:



General features:

Rekeyable: Easily rekeyable via cylinder retainer clip

Body: Zinc die cast lock body

Cylinder: Zinc die cast pin tumbler cylinder

Cams: 2 reversible cams work in all positions

Face: 1" face covers splintering - no additional trim ring required

US Patent Nos: 5,038,589; 5,737,950

Finish: DCN Series (26D, US3 or 10B), DCR Series (26D or US3)

Keys: Nickel plated keys / keyblanks

Packaging: Packed 10 per box

DCN Series features:

Keyway: National D4291/D4292

Stock keying: KD/KA - 4 pin standard

Stock KA# 101, 103, 107, 915

Masterkeying: 5 pin standard

Keyblanks 4-pin: KBN-4-NP

Keyblanks 5-pin: KBN-5-NP

DCR Series features:

Keyway: CCL R1 keyway

Stock keying: KD/KA - 5 pin standard

Stock KA# 4T21579, 4T37526

Masterkeying: 5 pin standard

Keyblanks 5-pin: KBR-5-NP



Locks in all eight positions with 2 reversible cams.

Includes:

DCNP-500-ARP stabilizer plate

DCNP-100-SC straight cam

DCNP-100-BC offset reversible cam

DCNP-200-OCD lost motion cam shifter

Available Separately:

DCNP-200-KR key retaining drawer cam shifter

DCNP-200-KDR key retaining door cam shifter

DCNP-100-LC long 3" straight cam

DCNP-100-LBC long offset cam

DCNP-100-BC5 1/2" offset cam

DCNP-100-WB short cam

DCNP-FP finger pull

Other Information:

Installation notes: Page 54

Rekeying instructions: #2, Page 51

Architectural specifications: Page 48

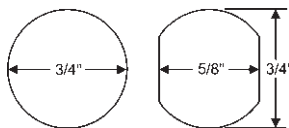
DCN Series - National Keyway

| Part No. | Keyway | Finish | Length | Keying |
|----------|----------|---------------|---------|------------------------|
| DCN1 | National | 26D, US3, 10B | 1-1/16" | KD, KA 101,103,107,915 |
| DCN1 | National | 26D, US3, 10B | 1-1/16" | Custom |
| DCN2 | National | 26D, US3, 10B | 1-3/16" | KD, KA 101,103,107,915 |
| DCN2 | National | 26D, US3, 10B | 1-3/16" | Custom |
| DCN3 | National | 26D, US3, 10B | 1-7/16" | KD, KA 101,103,107,915 |
| DCN3 | National | 26D, US3, 10B | 1-7/16" | Custom |
| DCN4 | National | 26D, US3, 10B | 1-3/4" | KD, KA 101,103,107,915 |
| DCN4 | National | 26D, US3, 10B | 1-3/4" | Custom |

DCR Series - CCL Keyway

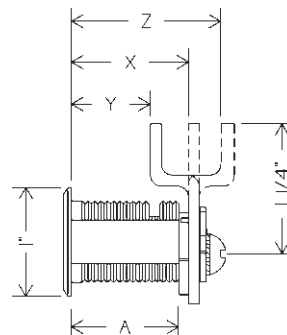
| Part No. | Keyway | Finish | Length | Keying |
|----------|--------|----------|---------|-------------------------|
| DCR1 | CCL | 26D, US3 | 1-1/16" | KD, KA 4T21579, 4T37526 |
| DCR1 | CCL | 26D, US3 | 1-1/16" | Custom |
| DCR2 | CCL | 26D, US3 | 1-3/16" | KD, KA 4T21579, 4T37526 |
| DCR2 | CCL | 26D, US3 | 1-3/16" | Custom |
| DCR3 | CCL | 26D, US3 | 1-7/16" | KD, KA 4T21579, 4T37526 |
| DCR3 | CCL | 26D, US3 | 1-7/16" | Custom |
| DCR4 | CCL | 26D, US3 | 1-3/4" | KD, KA 4T21579, 4T37526 |
| DCR4 | CCL | 26D, US3 | 1-3/4" | Custom |

Mounting cutout:



DCN/DCR Series dimensions:

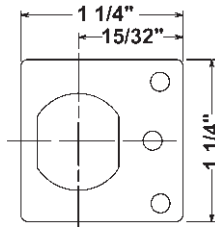
| | For Mat. Thickness | Straight Cam (X) | Inbent Cam (Y) | Outbent Cam (Z) | Cylinder Length (A) |
|------------------|--------------------|------------------|----------------|-----------------|---------------------|
| DCN1/DCR1 | 3/4" | 1-1/16" | 3/4" | 1-3/8" | 1" |
| DCN2/DCR2 | 7/8" | 1-3/16" | 7/8" | 1-1/2" | 1-1/8" |
| DCN3/DCR3 | 1-1/8" | 1-7/16" | 1-1/8" | 1-3/4" | 1-3/8" |
| DCN4/DCR4 | 1-1/2" | 1-13/16" | 1-1/2" | 2-1/8" | 1-3/4" |



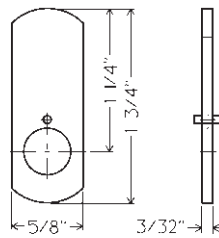
DCN/DCR ships standard with the following:



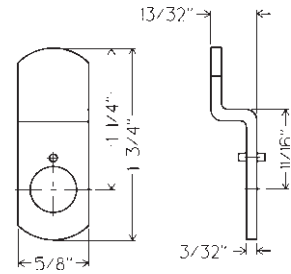
DCNP-200-0CD
lost motion, non-key retaining cam shifter



DCNP-500-ARP
stabilizer plate

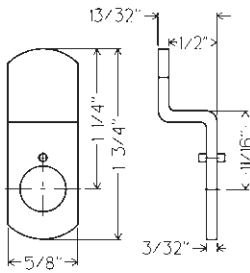


DCNP-100-SC
straight cam

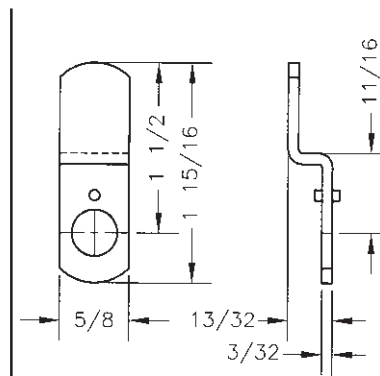


DCNP-100-BC
offset cam

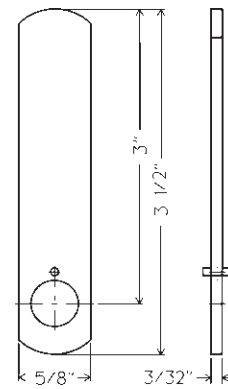
Available separately:



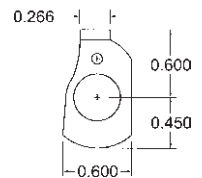
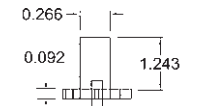
DCNP-100-BC5
1/2" offset cam



DCNP-100-LBC
long offset cam



DCNP-100-LC
long 3" straight cam



DCNP-100-WB
short cam

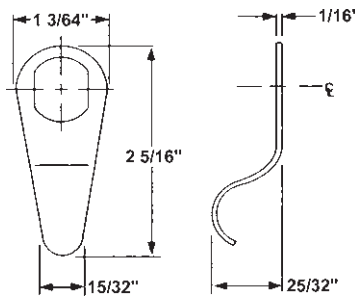


DCNP-200-KR
key retaining drawer cam shifter

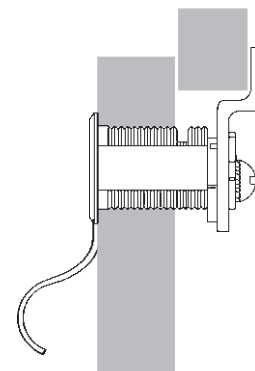


DCNP-200-KDR
key retaining door cam shifter

Eliminates need for additional cabinet pull. Mounts on front of cam lock.



DCNP-300-FP
Finger pull for cam locks, stainless steel finish



N078/R078

SERIES CABINET LOCKS

National Keyway or CCL Keyway

General features:

Rekeyable: Easily rekeyable via set screw cylinder release mechanism

Reversible: Easily field reversible between door and drawer functions

Keyway: National D4291 (4 pin) or D4292 (5 pin) keyway

U.S. Patent Nos: 4,899,563; 4,920,774

Body: Zinc die cast lock body

Cylinder: Solid brass pin tumbler cylinder

Barrel diameter: 7/8"

Finish: 26D or US4

Keys: Nickel plated keys / keyblanks

Packaged: Packed 10 per box

Available separately:

078-LB-DR optional 1/4" longer bolt for doors

WP21, WP22, WP23 spacers

07S, 56-1, 12-1 strikes

TR1256 trim ring

Reinforcing trim spacer ETS3 and

template ETST3 for through-bolt mount

Other Information:

Installation notes: Page 53

Rekeying instructions: #1, Page 51

Architectural specifications: Page 48

N078 features:

Function: Door or drawer locks

Barrel lengths: 1-1/8" or 1-3/8"

Keyway: National D4291 (4 pin) or

D4292 (5 pin) keyway

Stock keying: KD/KA - 4 pin standard

Stock KA# 101, 103, 107, 915

Masterkeying: 5 pin standard

Keyblanks 4-pin: KBN-4-NP

Keyblanks 5-pin: KBN-5-NP

Handing: N078 (drawer vertical), N078R*

(right-hand), N078L* (left-hand). *Note:

N078 door locks are field reversible

between left and right handings

R078 features:

Function: Drawer lock

Barrel length: 1-1/8"

Handing: R078 (drawer vertical)

Keyway: CCL R1 keyway

Stock keying: KD/KA - 5 pin standard

Stock KA# 4T21579, 4T37526

Masterkeying: 5 pin standard

Keyblanks 5-pin: KBR-5-NP



**N078/R078
Drawer**



**N078L
Door LH**



**N078R
Door RH**

Optional Accessories:

12-2-26D heavy duty angle strike



WP21 spacer

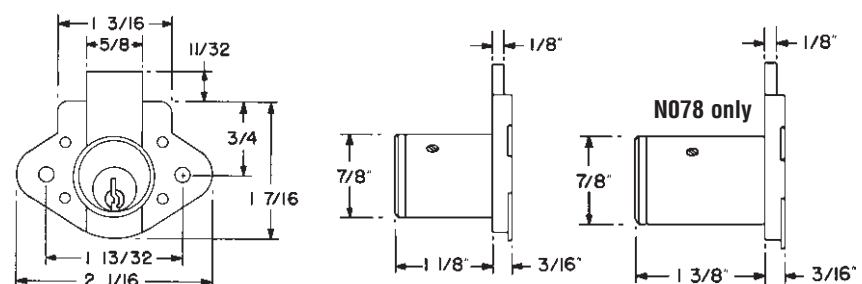
Plastic spacers:
WP21 - 3/32"
WP22 - 1/4"
WP23 - 1/2"



ETS1 & ETST1 spacers
U.S. Patent No. D490,686 S

| Part No. | Keyway | Finish | | Length | | Keying |
|----------|----------|--------|-----|--------|--------|-------------------------|
| N078 | National | 26D | US4 | 1-1/8" | 1-3/8" | KD, KA 101,103,107,915 |
| N078 | National | 26D | US4 | 1-1/8" | 1-3/8" | Custom |
| N078R | National | 26D | US4 | 1-1/8" | 1-3/8" | KD, KA 101,103,107,915 |
| N078R | National | 26D | US4 | 1-1/8" | 1-3/8" | Custom |
| N078L | National | 26D | US4 | 1-1/8" | 1-3/8" | KD, KA 101,103,107,915 |
| N078L | National | 26D | US4 | 1-1/8" | 1-3/8" | Custom |
| R078 | CCL | 26D | US4 | 1-1/8" | | KD, KA 4T21579, 4T37526 |
| R078 | CCL | 26D | US4 | 1-1/8" | | Custom |

N078/R078 Dimensions:



Dimensions are similar for door locks

754/854

SERIES CABINET LOCKS

For Sargent Original Cylinders

General features:

Rekeyable: Easily rekeyable via set-screw cylinder removal mechanism

U.S. Patent Nos: 4,899,563; 4,920,774

Cylinder: Not included, accepts Sargent #13-3457 style key-in-knob cylinder.

Body: Zinc die cast lock body

Barrel length: 1-3/8"

Barrel diameter: 1-1/8"

Finish: 26D or US3

Packaging: Packed 10 per box

754 Series features:

Function: Cabinet door lock

854 Series features:

Function: Cabinet drawer lock



754 Series



854 Series

Includes:



10-056 notched strike included

Includes:

All parts to work with Sargent original cylinders

10-056 notched strike

Available separately:

10-352 slotted strike

10-350 plastic spacers

TR78 trim ring

Reinforcing trim spacer ETS1, trim pull

ETS1-PL and template ETST1 for

through-bolt mount

Other information:

Installation notes: Page 52

Rekeying instructions: #5, Page 51

Architectural specifications: Page 49

| Part # | Finish | Barrel | Keying |
|--------|----------|--------|---------------|
| 754LC | 26D, US3 | 1-3/8" | Less cylinder |
| 854LC | 26D, US3 | 1-3/8" | Less cylinder |

Optional Accessories:



10-350 plastic spacers



ETS1 & ETST1 spacers
U.S. Patent No. D490,686 S

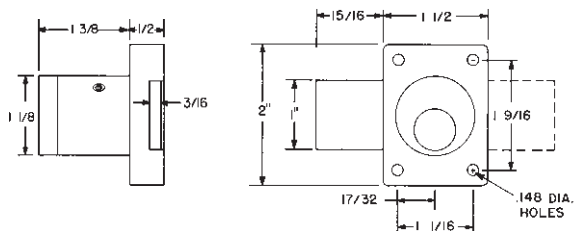


ETS1-PL cabinet pull

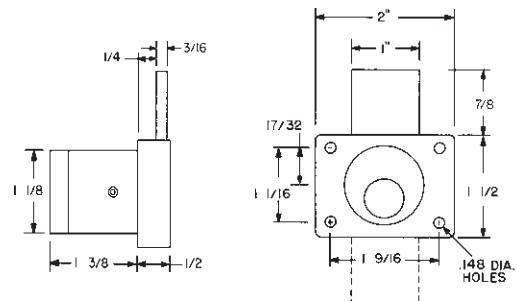


12-2-26D heavy duty angle strike

754 Series Dimensions:



854 Series Dimensions:



SERIES CABINET LOCKS

Schlage C Keyway or Less Cylinder

General features:

Rekeyable: Easily rekeyable via set screw cylinder release mechanism

Certifications: Passed ANSI/BHMA A156.11 grade 1 cycle testing, obtained grade 2 performance for all other requirements

US Patent Nos: 4,899,563; 4,920,774

Body: Zinc die cast lock body

Cylinder: Will accept other manufacturer's Schlage compatible key-in-knob cylinders

Barrel lengths: 1-1/8" or 1-3/8"

1-1/8" lock includes:

10-350 plastic spacers (qty 2)

10-054 1/4" plastic bar strike

10-055 1/2" plastic bar strike

1-3/8" lock includes:

10-054 1/4" plastic bar strike

Barrel diameter: 1-1/8"

Finish: 26D, US3, 10B

Packaging: Packed 10 per box

Optional Accessories:

10-350 spacer

10-052, 12-2 strikes

TR78 trim ring

Reinforcing trim spacers ETS1, trim pull

ETS1-PL and template ETST1 for

through-bolt mount

78-KABA-CONV conversion kit for

KABA-Peaks or Mul-T-Lock cylinders

700S/800S features:

Keyway: Schlage C keyway

Cylinder: Solid brass pin tumbler cylinder

Stock keying: KD/KA - 5 pin standard

Stock KA# 101, 102

Masterkeying: 5 pin standard, 6 pin available

Optional Accessories:

Keyblanks 5-pin: KBSC

Keyblanks 6-pin: KBSC-6

700LC/800LC features:

Keyway: Less cylinder

Includes: All parts necessary to work with other manufacturers cylinders

Accepts Assa cylinder: #65611

Accepts Medeco cylinders:

Original: 6 pin #20-009S4

5 pin #20-008S4

Biaxial: 6 pin #20W009S4

5 pin #20W008S4

Keymark: 6 pin #20K009S4

Key retaining: #20W200S1

Other Information:

Installation notes: Page 52

Rekeying instructions: #5, Page 51

Architectural specifications: Page 49



700S



800S



700LC



800LC

Includes:



10-054
1/4" plastic bar strike



10-055
1/2" plastic bar strike

700S/800S Key-Retaining:

| Part No. | Handing | Finish | Length | Keying |
|----------|---------|---------------|--------|----------------|
| 700KL | LH | 26D, US3, 10B | 1-1/8" | KD, KA 101,102 |
| 700KL | LH | 26D, US3, 10B | 1-1/8" | Custom |
| 700KL | LH | 26D, US3 | 1-3/8" | KD, KA 101,102 |
| 700KL | LH | 26D, US3 | 1-3/8" | Custom |
| 700KR | RH | 26D, US3, 10B | 1-1/8" | KD, KA 101,102 |
| 700KR | RH | 26D, US3, 10B | 1-1/8" | Custom |
| 700KR | RH | 26D, US3 | 1-3/8" | KD, KA 101,102 |
| 700KR | RH | 26D, US3 | 1-3/8" | Custom |
| 800KI | IH | 26D, US3, 10B | 1-1/8" | KD, KA 101,102 |
| 800KI | IH | 26D, US3, 10B | 1-1/8" | Custom |
| 800KI | IH | 26D, US3, 10B | 1-3/8" | KD, KA 101,102 |
| 800KI | IH | 26D, US3, 10B | 1-3/8" | Custom |
| 800KV | VH | 26D, US3, 10B | 1-1/8" | KD, KA 101,102 |
| 800KV | VH | 26D, US3, 10B | 1-1/8" | Custom |
| 800KV | VH | 26D, US3, 10B | 1-3/8" | KD, KA 101,102 |
| 800KV | VH | 26D, US3, 10B | 1-3/8" | Custom |

700S/800S Standard Function:

| Part No. | Finish | Length | Keying |
|----------|---------------|--------|----------------|
| 700S | 26D, US3, 10B | 1-1/8" | KD, KA 101,102 |
| 700S | 26D, US3, 10B | 1-1/8" | Custom |
| 700S | 26D, US3 | 1-3/8" | KD, KA 101,102 |
| 700S | 26D, US3 | 1-3/8" | Custom |
| 800S | 26D, US3, 10B | 1-1/8" | KD, KA 101,102 |
| 800S | 26D, US3, 10B | 1-1/8" | Custom |
| 800S | 26D, US3, 10B | 1-3/8" | KD, KA 101,102 |
| 800S | 26D, US3, 10B | 1-3/8" | Custom |

700LC/800LC Less Cylinder:

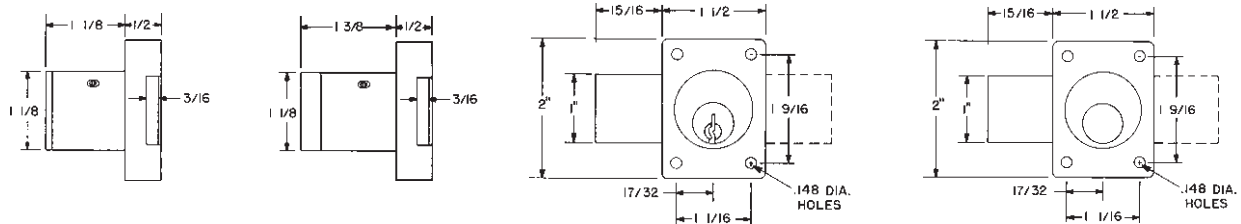
| Part No. | Finish | Length | Keying |
|----------|---------------|--------|---------------|
| 700LCA | 26D, US3, 10B | 1-1/8" | Less Cylinder |
| 700LCM | 26D, US3 | 1-3/8" | Less Cylinder |
| 800LCA | 26D, US3, 10B | 1-1/8" | Less Cylinder |
| 800LCM | 26D, US3, 10B | 1-3/8" | Less Cylinder |

700/800

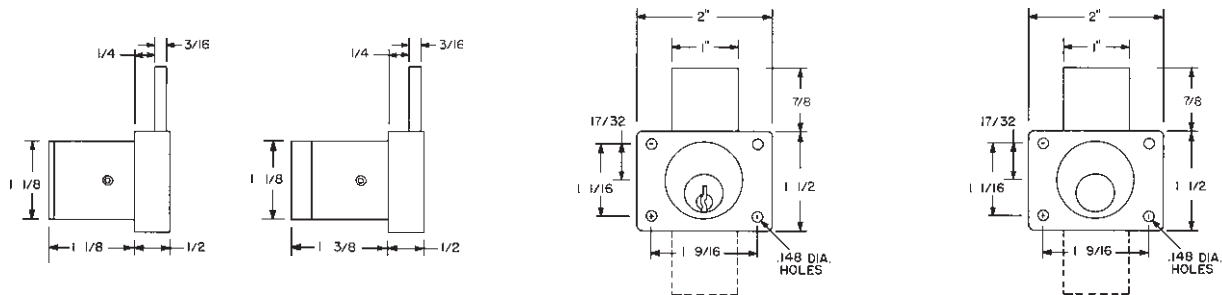
SERIES CABINET LOCKS

Schlage C Keyway or Less Cylinder

700S/700LC Dimensions:



800S/800LC Dimensions:



Optional Accessories:



10-350
plastic spacers



ETS1 & ETST1 spacers
U.S. Patent No. D490,686 S



ETS1-PL cabinet pull



12-2-26D heavy duty
angle strike

78-KABA-CONV

KABA CONVERSION KIT

For 700LC/800LC Less Cylinder Locks

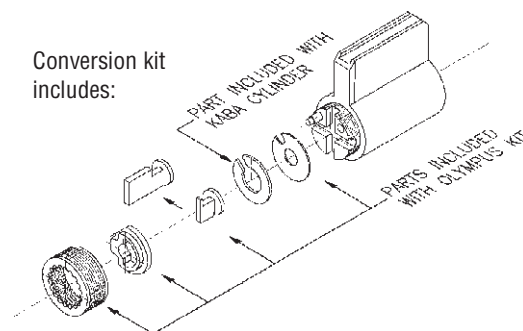
For use with KABA original cylinders

- Works with KABA-Peaks universal cylinder #3400-XX-1099 (XX denotes finish)
- Will also work with Mul-T-Lock cylinders

Instructions:

The conversion kit requires the use of the C-form flat washer supplied with the KABA-Peaks cylinder. The washer is needed to keep the Olympus tailpiece on center while operating the lock.

Conversion kit includes:



L7080

SERIES LATCH LOCKS

Schlage C Keyway or Less Cylinder

General features:

Function: Spring latch locking mechanism

Reversible: Easily field reversible between door and drawer functions

Rekeyable: Easily rekeyable via set screw cylinder release mechanism

Body: Zinc die cast lock body

U.S. Patent Nos: 4,899,563; 4,920,774

Cylinder: Will accept other manufacturer's Schlage compatible key-in-knob cylinders

Barrel lengths: 1-1/8" or 1-3/8"

Barrel diameter: 1-1/8"

7/8" to 1-1/8" lock includes:

10-351 plastic spacers (qty 2)

L78ST-1 lipped strike

1-3/8" lock includes:

L78ST-2 lipped strike

Finish: 26D or US3

Packaging: Packed 10 per box

Handing:

Door handing: L78R (right-hand) or L78L (left-hand),

Drawer handing: L78V (vertical-hand) or L78I (inverted-hand)

Available separately:

TR78 trim ring

10-351 plastic spacer

L78-KNOB emergency release knob

Other information:

Installation notes: Page 53

Rekeying instructions: #5, Page 51

Reversing instructions: #1, Page 52

Architectural specifications: Page 49

L78 features:

Keyway: Schlage C keyway

Cylinder: Solid brass pin tumbler cylinder

Stock keying: KD/KA - 5 pin standard

Stock KA# 101, 102

Masterkeying: 5 pin standard, 6 pin available

Optional Accessories:

Keyblanks 5-pin: KBSC

Keyblanks 6-pin: KBSC-6

L78-LC features:

Keyway: Less cylinder

Includes: All parts necessary to work with other manufacturers Schlage compatible key-in-knob cylinders

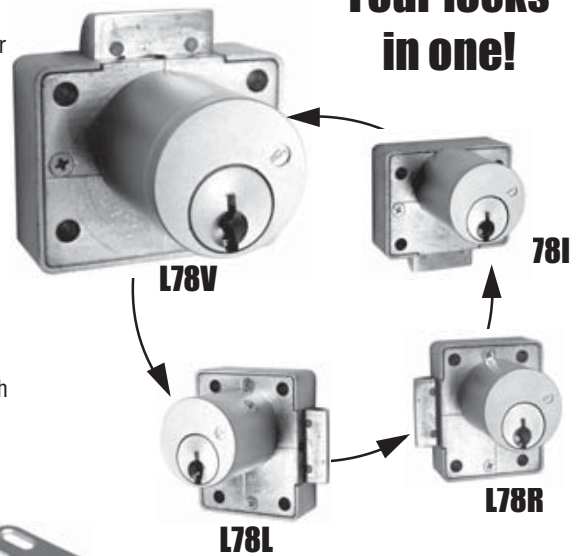
4-Way Field Reversible!

Includes:

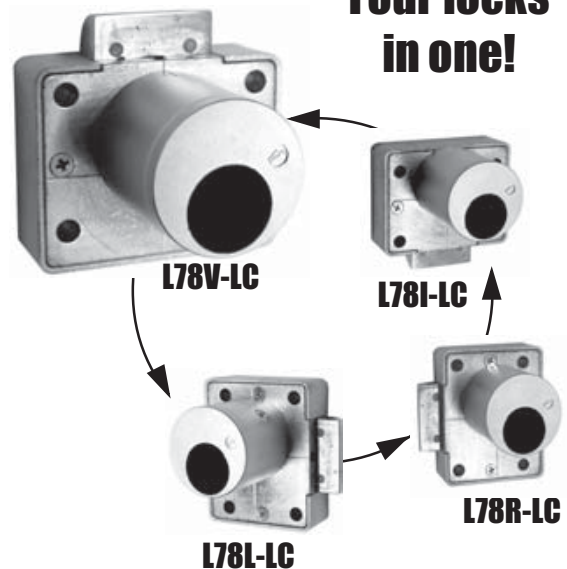


L78ST-1 or L78ST-2 matching latch strike

Four locks in one!

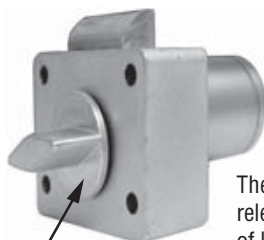


Four locks in one!



Field reversible for all handings:

Door (left/right) and Drawer (vertical/inverted). See Page 48 for reversing instructions



L78-KNOB
Optional emergency release knob, 26D or US3

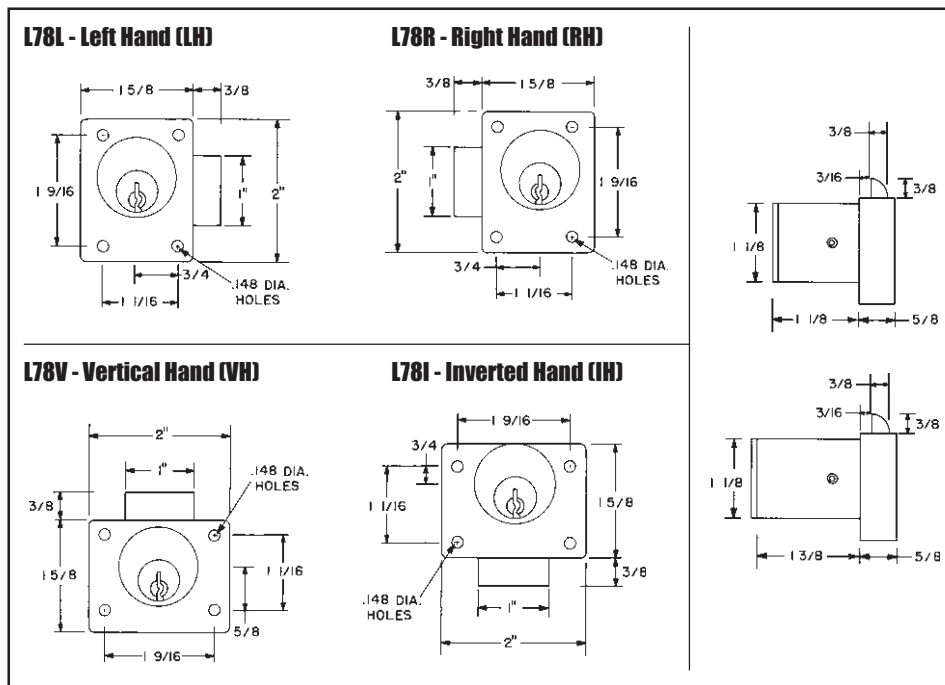
The optional emergency release knob allows operation of lock from inside door. Ideal for dressing rooms, evidence lockers, etc.

| * Part No. | Finish | | Length | | Keying |
|------------|--------|-----|--------|--------|-----------------|
| L78R | 26D | US3 | 1-1/8" | 1-3/8" | KD, KA 101, 102 |
| L78R | 26D | US3 | 1-1/8" | 1-3/8" | Custom |
| L78L | 26D | US3 | 1-1/8" | 1-3/8" | KD, KA 101, 102 |
| L78L | 26D | US3 | 1-1/8" | 1-3/8" | Custom |
| L78V | 26D | US3 | 1-1/8" | 1-3/8" | KD, KA 101, 102 |
| L78V | 26D | US3 | 1-1/8" | 1-3/8" | Custom |
| L78I | 26D | US3 | 1-1/8" | 1-3/8" | KD, KA 101, 102 |
| L78I | 26D | US3 | 1-1/8" | 1-3/8" | Custom |

*Part No. = Initial configuration - lock can be reconfigured into any of the other three handings.

| * Part No. | Barrel Length | Finish | | Keying |
|------------|---------------|--------|-----|---------------|
| L78R-LCA | 1-1/8" | 26D | US3 | Less Cylinder |
| L78R-LCM | 1-3/8" | 26D | US3 | Less Cylinder |
| L78L-LCA | 1-1/8" | 26D | US3 | Less Cylinder |
| L78L-LCM | 1-3/8" | 26D | US3 | Less Cylinder |
| L78V-LCA | 1-1/8" | 26D | US3 | Less Cylinder |
| L78V-LCM | 1-3/8" | 26D | US3 | Less Cylinder |
| L78I-LCA | 1-1/8" | 26D | US3 | Less Cylinder |
| L78I-LCM | 1-3/8" | 26D | US3 | Less Cylinder |

*Part No. = Initial configuration - lock can be reconfigured into any of the other three handings.



820

SERIES CAM LOCK

Schlage C Keyway or Less Cylinder

General features:

Rekeyable: Easily rekeyable via set screw on back of lock body
Cylinder diameter: 1-1/8"
Across flats: 7/8"
Maximum material thickness: 1-3/8"
Min. material thickness: 0.08"
Body: Zinc die cast lock body
Functions: Key-retaining or non-key-retaining
Finish: 26D or US3
Packaging: Packed 10 per box

Includes:

720-PL3 stabilizer plate
 720-3-1 short inverted cam
 720-3-2 long vertical cam
 720-CDLM lost motion cam shifter
 720-CDDM key retaining door cam shifter
 720-KR key retaining drawer cam shifter

Available separately:

720-3-3 long offset cam (inverted)
 720-3-4 extra long 3" straight cam (vertical)
 720-3-5 long shallow offset cam (inverted)
 TR201 - 1/8" trim collar
 TR202 - 1/4" trim collar
 TR203 - 3/8" trim collar
 TR200A - Pkg. (above three trim collars)
 SW-1 - Switch accessory pack

820SC features:

Keyway: Schlage "C" Keyway
Cylinder: 6 pin solid brass cylinders
Stock Keying: KD/KA - 5 pin standard KA# 101, 102
Masterkeying: 5 pin standard, 6 pin available

Optional Accessories:

Keyblanks 5-pin: KBSC
Keyblanks 6-pin: KBSC-6

820LC features:

Cylinder: Accepts Schlage-compatible key-in-knob cylinders
Includes: All parts to work with other cylinders

Other information:

Installation notes: Pages 56-57
Rekeying instructions: #7, Page 51
Architectural specifications: Page 49



| Part # | Finish | Size | Pinning | Keying |
|--------|----------|--------|---------|-----------------|
| 820S | 26D, US3 | 1-1/8" | 5 pin | KD, KA 101, 102 |
| | 26D, US3 | 1-1/8" | 5 pin | Custom |
| 820LC | 26D, US3 | 1-1/8" | n/a | Less cylinder |

920

SERIES CAM LOCK

Schlage Large Format IC Core

General features:

Cylinder diameter: 1-1/8"
Across flats: 7/8"
Max. material thickness: 1-1/8"
Min. material thickness: 0.08"
Cores: Not included, accepts both Schlage standard or Schlage Primus/Everest LFIC cores.
Functions: Key-retaining or non-key-retaining
Body: Zinc die cast lock body
Finish: 26D or US3
Packaging: 10 per box

Includes:

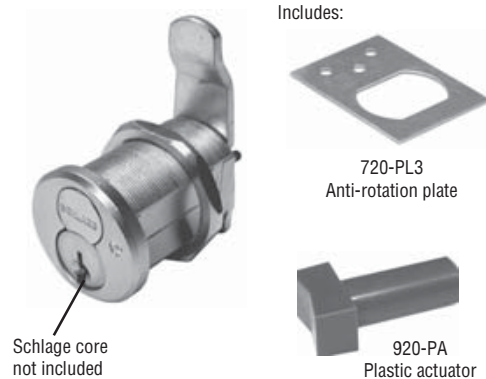
Plastic actuator to functionally test lock without core
 720-PL3 stabilizer plate
 720-3-1 short inverted cam
 720-3-2 long vertical cam
 720-CDLM lost motion cam shifter (key removable in locked or unlocked position)
 720-CDDM key retaining door cam shifter
 720-KR key retaining drawer cam shifter
 SW-1 - Switch accessory pack

Available separately:

720-3-3 long offset cam (inverted)
 720-3-4 extra long 3" straight cam (vertical)
 720-3-5 long shallow offset cam (inverted)
 TR201 - 1/8" trim collar
 TR202 - 1/4" trim collar
 TR203 - 3/8" trim collar
 TR200A - Pkg. (above three trim collars)

Other information:

Installation notes: Pages 56-57
Architectural specifications: Page 49



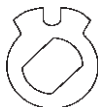
| Part # | Finish | Size | Keying |
|----------|----------|--------|---------------|
| 920LM/DM | 26D, US3 | 1-1/8" | Less cylinder |

820/920

SERIES CAM LOCKS

Dimensions & Accessories

The parts in this box ship standard with the lock.



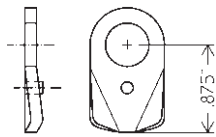
720-CDLM
lost motion cam shifter
(non-key-retaining)



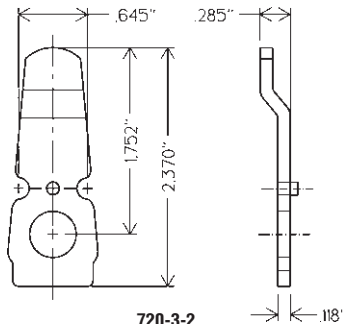
720-CDDM
key retaining door cam shifter



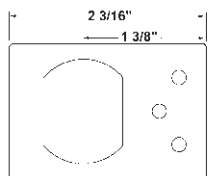
720-KR
key retaining drawer cam shifter



720-3-1
short cam inverted

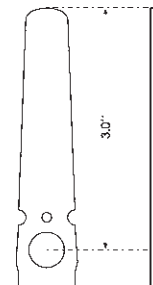
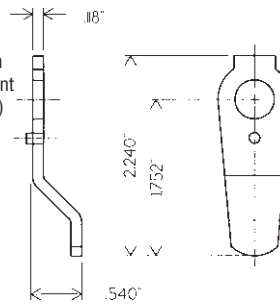


720-3-2
long cam vertical (inbent)



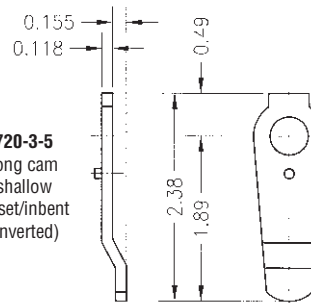
720-PL3
stabilizer plate

720-3-3
long cam offset/inbent (inverted)



720-3-4
3" long straight cam (vertical)

720-3-5
long cam shallow offset/inbent (inverted)



TR200 Series - Trim collars
available in 32D or US3 finish



TR201
1/8" trim collar



TR202
1/4" trim collar

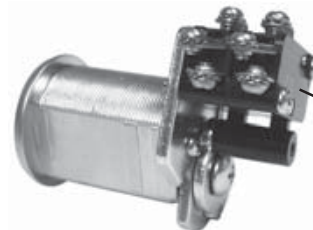


TR202
3/8" trim collar

TR200A

Set of all three trim collars.

SW-1 - Switch
Accessory Pack



Switches not included

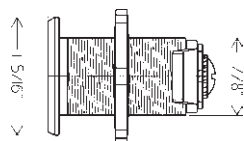
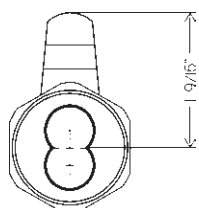


- Includes parts to convert 720, 820 or 920 Series cam locks into switch locks
- Can be configured for 1 or 2 switches
- Switches are not included
- Accepts the following pin plunger style, snap acting, miniature switches:

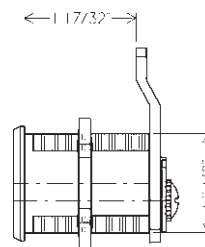
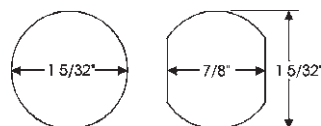
Omron - V Series
Honeywell (MicroSwitch) - V Series
Cherry - E Series
Panasonic (Aromat) - ABV Type
C&K (ITT) - TM & TF Series

The **SW-1** Kit includes the above parts (switches are not included)

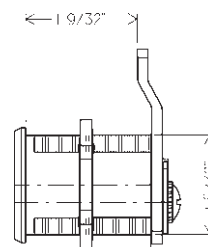
Cam lock dimensions:



Mounting cutout



820 Series
body length



920 Series
body length

777/888

SERIES CABINET LOCKS

For Schlage Large Format IC Core

General features:

Cores: Not included, accepts Schlage-style large format interchangeable cores

Certifications: Passed ANSI/BHMA A156.11 Grade 1 performance requirements

Body: Zinc die cast lock body

Barrel length: 1-7/16"

Barrel diameter: 1-1/8"

Finish: 26D or US3

Packaging: Packed 10 per box

Includes:

10-350 plastic spacers (qty 3)

10-054 1/4" plastic bar strike

10-055 1/2" plastic bar strike

7788-PA plastic actuator

Available separately:

10-052 slotted strikes

TR78 trim ring

Reinforcing trim spacers ETS1/ETS4/

ETS5, trim pull ETS1-PL and template

ETST1 for through-bolt mount

Other information:

Installation notes: Page 52

Architectural specifications: Page 49

777/888 Series:

Accepts the following LFIC cylinders:

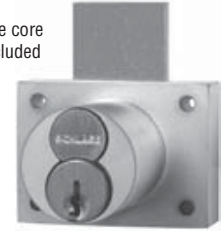
- Schlage Quad, Numbered Section, and Schlage Classic IC cores
- Schlage Primus® and Everest large format IC cores
- Keymark large format IC Cores
- Mul-T-Lock large format IC cores

Function: Key removable in locked and unlocked position. Key-retaining function available, specify handing when ordering (see handing chart).



777 Series

Schlage core not included



888 Series

Includes:



7788-PA plastic actuator



10-054 1/4" plastic bar strike



10-055 1/2" plastic bar strike

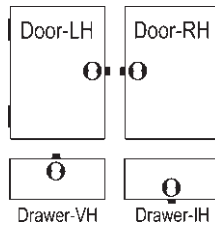


10-350 plastic spacers



Optional heavy duty angle strike available separately

Key-Retaining Handing Chart



Key removable locked or unlocked position

| Part # | Finish | Core | Handing | Keying/Function |
|-----------|----------|---------------------|---------|----------------------------|
| 777ICP-DR | 26D, US3 | Std./Primus/Everest | DR | Less cylinder (non handed) |
| 888ICP-DW | 26D, US3 | Std./Primus/Everest | DW | Less cylinder (non handed) |

Key retaining (key removable locked position only)

| Part # | Finish | Core | Handing | Keying/Function |
|-----------|----------|----------------|---------|-----------------------------|
| 777IC-LHK | 26D, US3 | Std. | LHK | Less cyl., LH key retaining |
| 777IC-RHK | 26D, US3 | Std. | RHK | Less cyl., RH key retaining |
| 777P-LHK | 26D, US3 | Primus/Everest | LHK | Less cyl., LH key retaining |
| 777P-RHK | 26D, US3 | Primus/Everest | RHK | Less cyl., RH key retaining |
| 888IC-VHK | 26D, US3 | Std. | VHK | Less cyl., VH key retaining |
| 888IC-IHK | 26D, US3 | Std. | IHK | Less cyl., IH key retaining |
| 888P-VHK | 26D, US3 | Primus/Everest | VHK | Less cyl., VH key retaining |
| 888P-IHK | 26D, US3 | Primus/Everest | IHK | Less cyl., IH key retaining |

Optional Accessories:

ETS1-PL cabinet pull



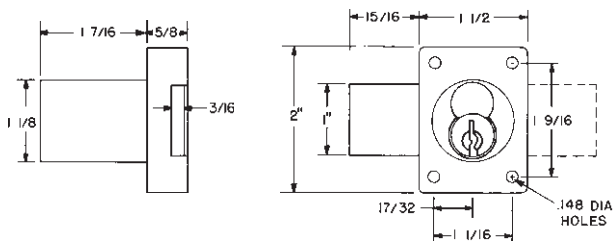
ETS1 & ETST1 trim spacers

U.S. Patent No. D490,686 S

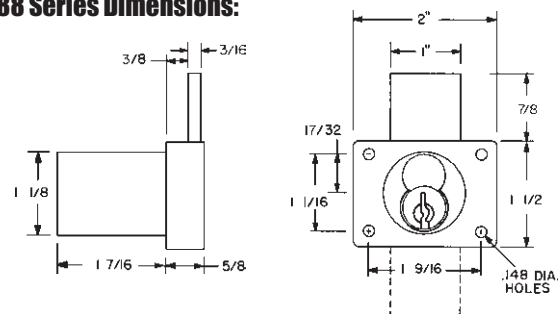


ETS4 & ETS5 trim spacers

777 Series Dimensions:



888 Series Dimensions:



931

SERIES CABINET LOCKS

For Medeco/Yale IC Core

General features:

Reversible: Deadbolt lock

U.S. Patent Nos: 4,899,563; 4,920,774

Barrel length: 1-3/8"

Barrel diameter: 1-1/8"

Medeco cylinder: Not included, accepts Medeco #32-0201 (6-pin) IC core cylinder.

Yale cylinder: Not included, accepts Yale 1210 Series (6-pin) IC core cylinder.

ASSA cylinder: Accepts ASSA's 6-pin, Yale-compatible large format IC core cylinder.

Body: Zinc die cast lock body

Finish: 26D or US3

Packaging: Packed 10 per box

Includes:

931-1 spacer for 6-pin Medeco cores

10-350 plastic spacers (qty 3)

10-054 1/4" plastic bar strike

10-055 1/2" plastic bar strike

931-PA plastic actuator to functionally test lock without core

Available separately:

10-352 slotted strikes

TR78 trim ring

Reinforcing trim spacer ETS1, cabinet pull

ETS1-PL and template ETST1 for

through-bolt mount

Other information:

Installation notes: Page 52

Architectural specifications: Page 50

931DR features:

Function: Cabinet door lock

931DW features:

Functions: Cabinet drawer lock

Includes:

10-054
1/4" plastic bar strike

10-055
1/2" plastic bar strike

931DR

931-PA
plastic actuator

931DW

10-350 plastic spacers

| Part # | Finish | Barrel | Description |
|----------|----------|--------|------------------------------|
| 931DR | 26D, US3 | 1-3/8" | IC Door Lock |
| 931DR-KR | 26D, US3 | 1-3/8" | IC Door Lock-Key Retaining |
| 931DW | 26D, US3 | 1-3/8" | IC Drawer Lock |
| 931DW-KR | 26D, US3 | 1-3/8" | IC Drawer Lock-Key Retaining |

Optional Accessories:

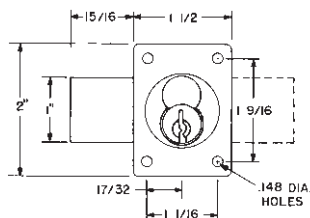


ETS1 & ETST1 spacers
U.S. Patent No. D490,686 S

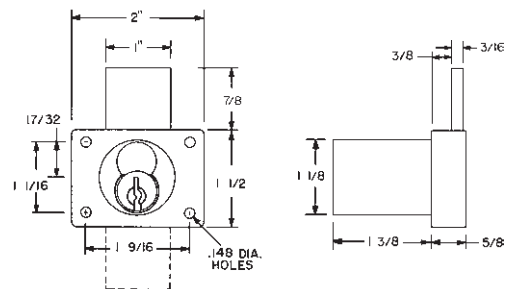


ETS1-PL cabinet pull

931DR Dimensions:



931DW Dimensions:



850

SERIES DEADLATCH LOCKS

Schlage C Keyway or Less Cylinder

General features:

Function: Deadlocking latch
Rekeyable: Easily rekeyable via set-screw cylinder removal mechanism
U.S. Patent Nos: 4,899,563; 4,920,774; 5,657,652
Body: Zinc die cast lock body
Barrel lengths: 1-1/8" or 1-3/8"
Barrel diameter: 1-1/8"
Finish: 26D or US3
Packaged: Packed 10 per box

Includes:

7/8" to 1-1/8" lock includes:
 10-350 plastic spacers (qty 2)
 850-210 matching strike
 850LCA - less cylinder version
1-3/8" lock includes:
 850-211 matching strike
 850LCM - less cylinder version

Available separately:

10-350 plastic spacer
 TR78 trim ring
 850-210, 850-211 optional strikes
 Reinforcing trim spacer ETS1, cabinet pull ETS1-PL and template ETST1 for through-bolt mount

Other information:

Installation notes: Page 54
Rekeying instructions: #6, Page 51
Architectural specifications: Page 49

850S features:

Keyway: Schlage C keyway
Cylinder: Solid brass pin tumbler cylinder
Stock keying: KD/KA - 5 pin standard
 Stock KA# 101, 102
Masterkeying: 5 or 6 pin
Optional Accessories:
Keyblanks 5-pin: KBSC
Keyblanks 6-pin: KBSC-6

850LC features:

Includes: All parts necessary to work with other manufacturers cylinders
Less cylinder: Will accept other manufacturer's Schlage compatible deadbolt cylinders.



850S Series Door Lock



850LC Series Drawer Lock

Includes:



850-210 / 850-211 strike plate

| Part # | Finish | Barrel | Keying |
|--------|----------|--------|-----------------|
| 850S | 26D, US3 | 1-1/8" | KD, KA 101, 102 |
| 850S | 26D, US3 | 1-1/8" | Custom |
| 850S | 26D, US3 | 1-3/8" | KD, KA 101, 102 |
| 850S | 26D, US3 | 1-3/8" | Custom |
| 850LCA | 26D, US3 | 1-1/8" | Less cylinder |
| 850LCM | 26D, US3 | 1-3/8" | Less cylinder |

Optional Accessories:



10-350 plastic spacers

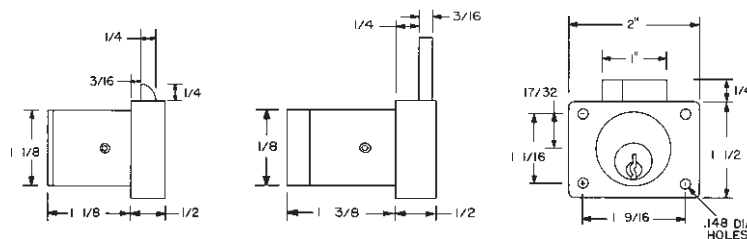


ETS1 & ETST1 spacers
U.S. Patent No. D490,686 S



ETS1-PL cabinet pull

850 Series Dimensions:



950

DEADLATCHING DRAWER LOCK

For Small Format IC Core

General features:

Function: Deadlocking latch

U.S. Patent Nos: 4,899,563; 4,920,774; 5,657,652

Cores: Accepts Best, Arrow, Falcon, KSP, Schlage SFIC or equivalent small format interchangeable cores

Body: Zinc die cast lock body

Barrel length: 1-1/8"

Barrel diameter: 1-1/8"

Finish: 26D or US3

Packaged: Packed 10 per box

Available separately:

TR78 trim ring

Reinforcing trim spacer ETS1, cabinet pull

ETS1-PL and template ETST1 for through-bolt mount

Other information:

Installation notes: Page 54

Architectural specifications: Page 50

Includes:

725-1 - spacer for 6 pin cores



850-210 strike plate



725-PA - black plastic actuator

Includes:

10-350 plastic spacers (qty 2)

725-1 spacer to fit 6 or 7 pin cores

850-210 matching strike

725-PA plastic actuator to functionally test lock without core

| Part # | Finish | Barrel length | Description |
|--------|--------|---------------|----------------------|
| 950IC | 26D | 1-1/8" | IC Deadlocking Latch |

Optional Accessories:



10-350 plastic spacers

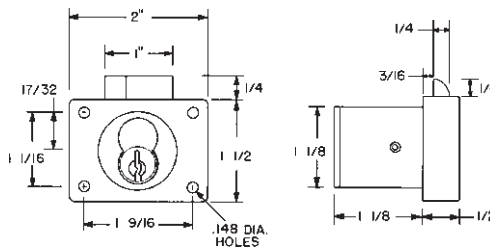


ETS1 & ETST1 spacers
U.S. Patent No. D490,686 S



ETS1-PL cabinet pull

950 dimensions:



206/207

SERIES 6 OR 7 PIN SFIC CORES

For Small Format IC Core Cabinet Locks

General features:

206 Series: 6 pin core

207 Series: 7 pin core

Cores: Equivalent to Best, Arrow, and Falcon SFIC cores

Keyways: See chart

Keying: KA/KD/MK or uncombined

Finish: 26D or US4

For use with:

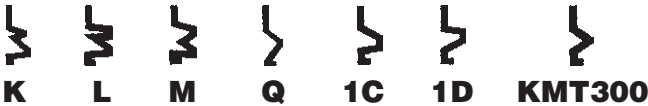
720, 721, 722, 723, 725, 728, 729 and 950 SFIC cabinet locks



Available Keyways



Keyway Keyway Keyway Keyway Keyway Keyway Keyway Keyway Keyway



Keyway Keyway Keyway Keyway Keyway Keyway Keyway

SFIC

REPLACEMENT GUIDE

For Small Format IC Core Cabinet Locks

| Best Lock | | Olympus Lock | |
|-----------|--------------|--------------|---------------|
| Best | 3L7RD2 | Olympus | 721DW / 721DR |
| Best | 5L7RD2 | Olympus | 725RD-DW-VH |
| Best | 5L7RD3 | Olympus | 725RD-DR-RH |
| Best | 5L7RD4 | Olympus | 725RD-DR-LH |
| Best | 5L7RD5 | Olympus | 725RD-DW-IH |
| Best | 5L7RL2 | Olympus | 725RL-DW-VH |
| Best | 5L7RL3 | Olympus | 725RL-DR-RH |
| Best | 5L7RL4 | Olympus | 725RL-DR-LH |
| Best | 5L7RL5 | Olympus | 725RL-DW-IH |
| Best | 5L7MD2 | Olympus | 725MD-DW-VH |
| Best | 5L7MD3 | Olympus | 725MD-DR-RH |
| Best | 5L7MD4 | Olympus | 725MD-DR-LH |
| Best | 5L7MD5 | Olympus | 725MD-DW-IH |
| Best | 5L7ML2 | Olympus | 725ML-DW-VH |
| Best | 5L7ML3 | Olympus | 725ML-DR-RH |
| Best | 5L7ML4 | Olympus | 725ML-DR-LH |
| Best | 5L7ML5 | Olympus | 725ML-DW-IH |
| Best | 8L | Olympus | 728MBL |
| Best | 1E7D4, 1E7E4 | Olympus | 720 |
| Best | 2S | Olympus | 722 |
| Best | 2S-TBM | Olympus | 722-TBM |
| Best | 3S | Olympus | 729R |
| Best | 4S | Olympus | 723S |

720

SERIES CAM LOCK

For Small Format IC Core

General features:

Certifications: Passed ANSI/BHMA A156.11 Grade 1 performance requirements

Cylinder diameter: 1-1/8"

Across flats: 7/8"

Max. material thickness: 1-1/8"

Min. material thickness: 0.08"

Retrofits: Best 1E7D4 or 1E7E4

Cores: Accepts Best, Arrow, Falcon, KSP, Schlage SFIC or equivalent small format interchangeable cores

Functions: Key-retaining or non-key-retaining

Body: Zinc die cast lock body

Finish: 26D or US3

Packaging: 10 per box

Includes:

Plastic actuator to functionally test lock without core

720-PL3 stabilizer plate

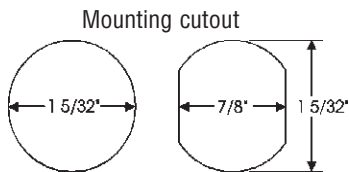
720-3-1 short inverted cam

720-3-2 long vertical cam

720-CDLM lost motion cam shifter (key removable in locked or unlocked position)

720-CDDM key retaining door cam shifter

720-KR key retaining drawer cam shifter



Available separately:

720-3-3 long offset cam (inverted)

720-3-4 extra long 3" straight cam (vertical)

720-3-5 long shallow offset cam (inverted)

TR201 - 1/8" trim collar

TR202 - 1/4" trim collar

TR203 - 3/8" trim collar

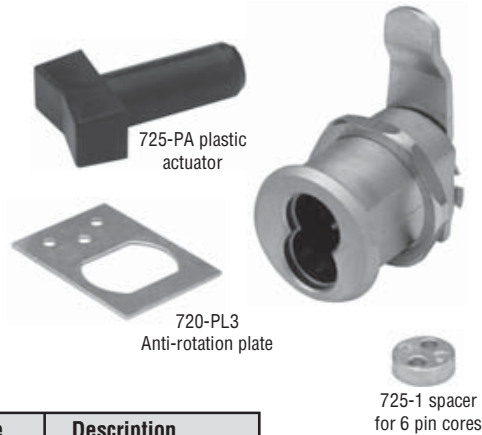
TR200A - Pkg. (above three trim collars).

SW-1 - Switch accessory pack

Other information:

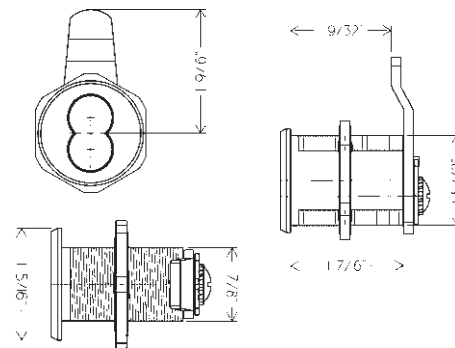
Installation notes: Pages 56-57

Architectural specifications: Page 50

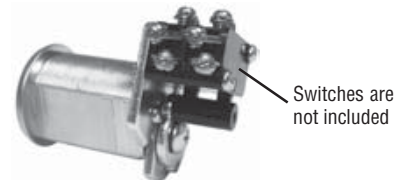


| Part # | Finish | Size | Description |
|----------|----------------|--------|-------------|
| 720LM/DM | 26D, US26, US3 | 1-1/8" | IC Cam Lock |

720LM/DM Dimensions:

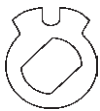


SW-1 - Switch Accessory Pack



- Includes parts to convert 720, 820 or 920 Series cam locks into switch locks
- Can be configured for 1 or 2 switches
- Accepts standard pin plunger style, snap acting, miniature switches
- See **page 21** for detailed information

The parts in this box ship standard with the lock.



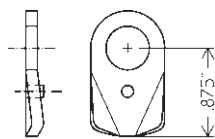
720-CDLM
lost motion cam shifter
(non-key-retaining)



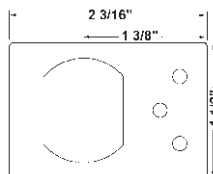
720-CDDM
key retaining door
cam shifter



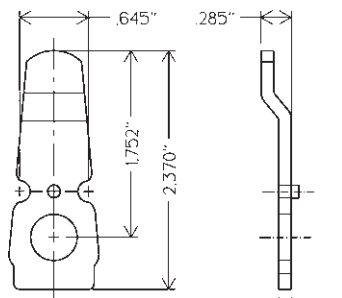
720-KR
key retaining
drawer cam shifter



720-3-1
short cam
inverted



720-PL3
stabilizer plate

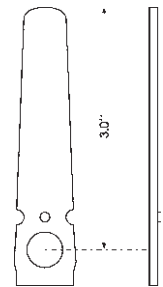
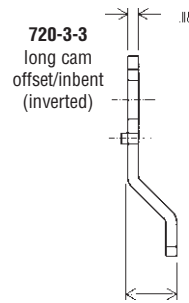


720-3-2
long cam
vertical
(inbent)



725-1 spacer
for 6 pin cores

720-3-3
long cam
offset/inbent
(inverted)



720-3-4
3" long straight
cam
(vertical)

Trim collars available
in 32D or US3 finish



TR201
1/8"

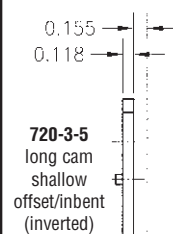


TR202
1/4"

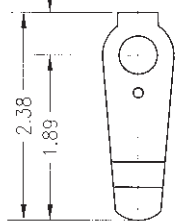


TR203
3/8"

TR200A
Set of all three trim collars



720-3-5
long cam
shallow
offset/inbent
(inverted)



SERIES CABINET LOCK

For Small Format IC Core

General features:

Reversible: Field reversible between door and drawer functions

Certifications: Passed ANSI/BHMA A156.11 Grade 1 performance requirements

U.S. Patent Nos: 4,899,563; 4,920,774

Barrel length: 1-1/4"

Barrel diameter: 1-1/8"

Retrofits: Best 3L

Core: Not included. Accepts Best, Arrow, Falcon, KSP, Schlage SFIC or equivalent small format interchangeable cores

Body: Zinc die cast lock body

Finish: US26, 26D or US3

Packaging: Packed 10 per box

Includes:

- 10-350 plastic spacers (qty 3)
- 10-054 1/4" plastic bar strike
- 10-055 1/2" plastic bar strike
- 725-PA plastic actuator to functionally test lock without core
- 721DR-11 door prong driver
- 721DW-11 drawer prong driver

Available separately:

- 10-352 slotted strikes
- TR78 trim ring
- Reinforcing trim spacer ETS1, cabinet pull ETS1-PL and template ETST1 for through-bolt mount

Other information:

Installation notes: Page 52

Reversing instructions: #2, Page 52

Architectural specifications: Page 48

Includes:



10-055
1/2" plastic bar strike



10-054
1/4" plastic bar strike



10-350 plastic spacers



721DR



725-PA
plastic actuator



721DW

| Part # | Finish | Barrel | Description |
|----------|----------------|--------|------------------------------|
| 721DR | 26D, US26, US3 | 1-1/4" | IC Door Lock |
| 721DR-KR | 26D, US26, US3 | 1-1/4" | IC Door Lock-Key retaining |
| 721DW | 26D, US26, US3 | 1-1/4" | IC Drawer Lock |
| 721DW-KR | 26D, US26, US3 | 1-1/4" | IC Drawer Lock-Key retaining |

Optional Accessories:



ETS1 & ETST1 spacers
U.S. Patent No. D490,686 S

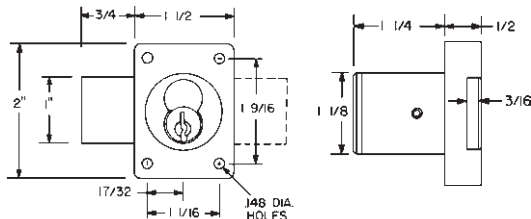


ETS1-PL cabinet pull

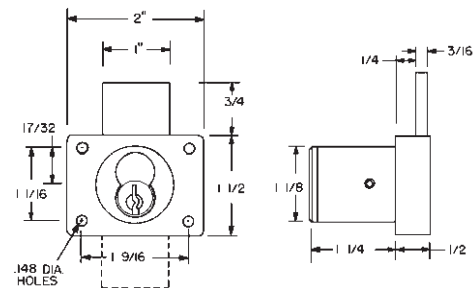


12-2-26D heavy duty
angle strike

721DR Dimensions:



721DW Dimensions:



722

SERIES PLUNGER LOCK

For Small Format IC Core

General features:

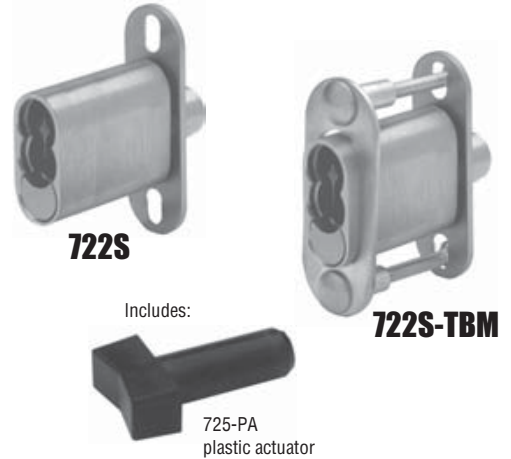
- Barrel length:** 1-3/4"
- Bolt throw:** 1/2"
- Retrofits:** Best 2S, 2S-TBM
- Key-retaining:** Also available
- Cores:** Not included, accepts Best, Arrow, Falcon, KSP, Schlage SFIC or equivalent small format interchangeable cores
- Finish:** US26, 26D, US4 or US3
- Body:** Zinc die cast lock body
- Packaged:** Packed 10 per box

722S features:

Max. door thickness: 1-7/8"

722S-TBM features:

- Min. door thickness:** 5/8"
- Max. door thickness:** 1-7/8"
- Includes:** Through-bolt mounting plate and screws.



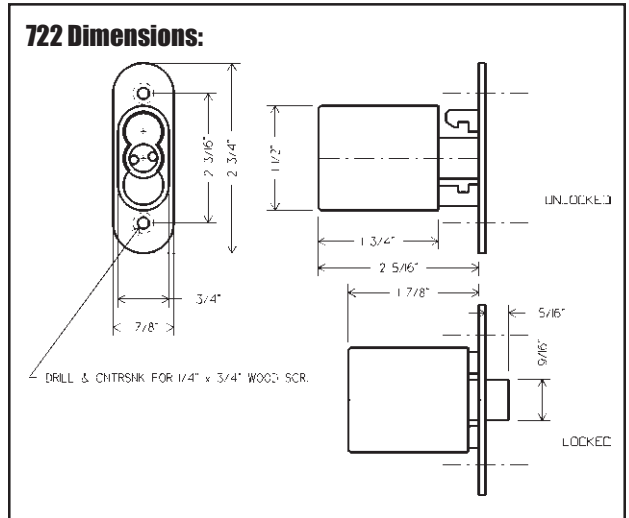
Includes:

- Matching strike
- 725-PA plastic actuator to functionally test lock without core

Other information:

- Installation notes:** Page 58
- Architectural specifications:** Page 50

| Part # | Finish | Description |
|-------------|---------------------|--|
| 722S | 26D, US26, US4, US3 | IC Sliding Door Lock |
| 722S-KR | 26D | IC Sliding Door Lock (key retaining) |
| 722S-TBM | 26D, US26, US4, US3 | IC Sliding Door Lock (through-bolt mount) |
| 722S-TBM-KR | 26D | IC Sliding Door Lock (key retaining, through-bolt mount) |



723

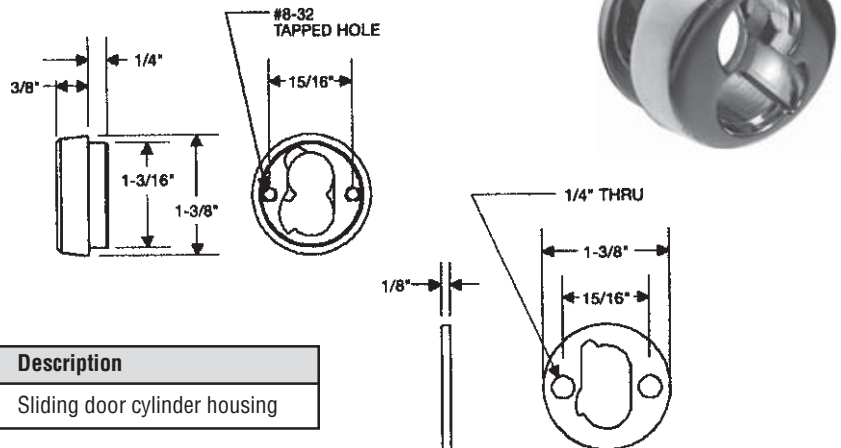
SLIDING DOOR CYLINDER HOUSING

For Small Format IC Core

General features:

- Retrofits:** Best 4S
- Cores:** Accepts Best, Arrow, Falcon, KSP, Schlage SFIC or equivalent small format interchangeable cores
- U.S. Patent No:** 6,035,673
- Material:** Solid brass cylinder housing
- Finish:** 26D or US26

723 Dimensions:



Other information:

Installation notes: Page 59

| Part # | Finish | Size | Description |
|--------|-------------|------------|-------------------------------|
| 723 | 26D or US26 | Adjustable | Sliding door cylinder housing |



725RD/RL

SERIES CABINET LOCKS

Surface Mounted Locks for Small Format IC Core

General features:

Mounting: Rim (surface)
Retrofits: Best 5L series cabinet lock
Certifications: Passed ANSI/BHMA A156.11 Grade 1 performance requirements
Material: Zinc die cast cylinder housing, steel back plate and steel case
Barrel length: 1-1/16"
Barrel diameter: 1-1/8"
Cores: Accepts Best, Arrow, Falcon, KSP, Schlage SFIC or equivalent small format interchangeable cores
Finish: US26, 26D, US3 or US4
Packaged: Packed 10 per box
Includes:

725-1 spacer to fit 6 or 7 pin cores
 725RD Series includes 725-SP-RD solid rectangular strike

725RL Series includes 725-SP-RL solid lipped strike

725-PA plastic actuator to functionally test lock without core

Functions/handing:

Door: left-hand (LH) or right-hand (RH)

Drawer: vertical-hand (VH) - bolt projects up to lock or inverted-hand (IH) - bolt projects down to lock

725RD features:

Function: Deadbolt
Key retaining: Available for DW-VH applications
Strike: Includes 725-SP-RD solid rectangular strike

725RL features:

Function: Spring latch
Reverse latch: Available for DW-VH or DW-IH functions - use reverse latch for in-swinging door applications.
Strike: Includes 725-SP-RL solid lipped strike

Other information:

Installation notes: Page 55
Architectural specifications: Page 50

Includes:



725RD Rim Deadbolt



725-SP-RD strike

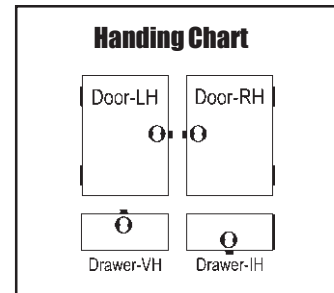


725RL Rim Latch

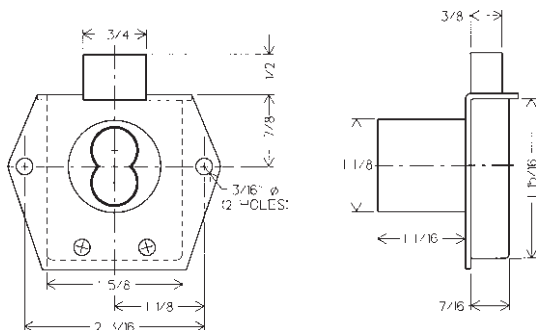


725-SP-RL strike

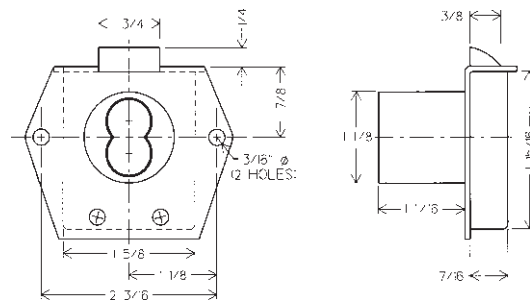
| Part # | Finish | Type | Description |
|-------------|---------------------|----------|---------------------------|
| 725RL-DR-RH | 26D, US26, US3, US4 | Latch | RH Door |
| 725RL-DR-LH | 26D, US26, US3, US4 | Latch | LH Door |
| 725RL-DW-VH | 26D, US26, US3, US4 | Latch | VH Drawer |
| 725RL-DW-IH | 26D, US26, US3, US4 | Latch | IH Drawer |
| 725RL-DWRVH | 26D, US26, US3, US4 | Latch | VH Drawer (reverse latch) |
| 725RL-DWRIH | 26D, US26, US3, US4 | Latch | IH Drawer (reverse latch) |
| 725RD-DR-RH | 26D, US26, US3, US4 | Deadbolt | RH Door |
| 725RD-DR-LH | 26D, US26, US3, US4 | Deadbolt | LH Door |
| 725RD-DW-VH | 26D, US26, US3, US4 | Deadbolt | VH Drawer |
| 725RD-DW-IH | 26D, US26, US3, US4 | Deadbolt | IH Drawer |
| 725RD-DWKVH | 26D, US26, US3, US4 | Deadbolt | VH Drawer (key retaining) |



725RD Series Dimensions:



725RL Series Dimensions:



725MD/ML

SERIES CABINET LOCKS

Mortise Mounted Locks for Small Format IC Core

General features:

Mounting: Mortise
Retrofits: Best 5L series cabinet lock
Certifications: Passed ANSI/BHMA A156.11 Grade 1 performance requirements
Material: Zinc die cast cylinder housing, steel back plate and steel case
Barrel length: 1-1/16"
Barrel diameter: 1-1/8"
Cores: Accepts Best, Arrow, Falcon, KSP, Schlage SFIC or equivalent small format interchangeable cores
Finish: US26, 26D, US3 or US4
Packaged: Packed 10 per box
Includes:

725-1 spacer to fit 6 or 7 pin cores
 725MD Series includes 725-SP-MD solid rectangular strike

725ML Series includes 725-SP-ML solid lipped strike

725-PA plastic actuator to functionally test lock without core

Functions/handing:

Door: left-hand (LH) or right-hand (RH)
Drawer: vertical-hand (VH) - bolt projects up to lock or inverted-hand (IH) - bolt projects down to lock

725MD features:

Function: Deadbolt
Key retaining: Available for DW-VH applications
Strike: Includes 725-SP-MD solid rectangular strike

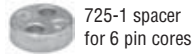
725ML features:

Function: Spring latch
Reverse latch: Available for DW-VH or DW-IH functions - use reverse latch for in-swinging door applications.
Strike: Includes 725-SP-ML solid lipped strike

Other information:

Installation notes: Page 55
Architectural specifications: Page 50

Includes:



725-1 spacer for 6 pin cores



725-PA black plastic actuator



725MD Mortise Deadbolt



725-SP-MD strike

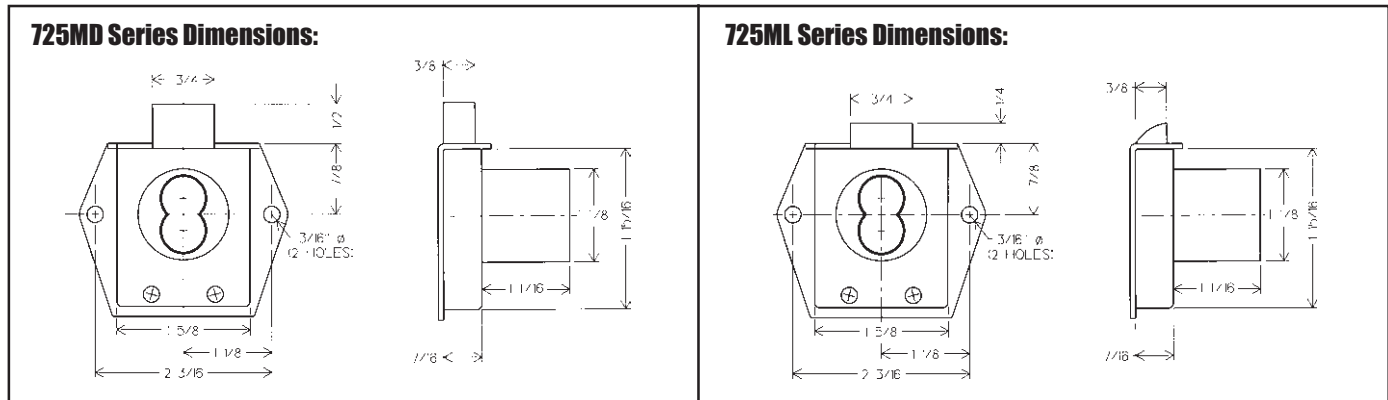
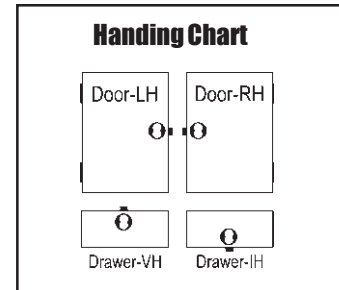


725ML Mortise Latch



725-SP-ML strike

| Part # | Finish | Type | Description |
|-------------|---------------------|----------|---------------------------|
| 725ML-DR-RH | 26D, US26, US3, US4 | Latch | RH Door |
| 725ML-DR-LH | 26D, US26, US3, US4 | Latch | LH Door |
| 725ML-DW-VH | 26D, US26, US3, US4 | Latch | VH Drawer |
| 725ML-DW-IH | 26D, US26, US3, US4 | Latch | IH Drawer |
| 725ML-DWRVH | 26D, US26, US3, US4 | Latch | VH Drawer (reverse latch) |
| 725ML-DWRIH | 26D, US26, US3, US4 | Latch | IH Drawer (reverse latch) |
| 725MD-DR-RH | 26D, US26, US3, US4 | Deadbolt | RH Door |
| 725MD-DR-LH | 26D, US26, US3, US4 | Deadbolt | LH Door |
| 725MD-DW-VH | 26D, US26, US3, US4 | Deadbolt | VH Drawer |
| 725MD-DW-IH | 26D, US26, US3, US4 | Deadbolt | IH Drawer |
| 725MD-DWKVH | 26D, US26, US3, US4 | Deadbolt | VH Drawer (key retaining) |



728MBL

SERIES MAILBOX LOCK

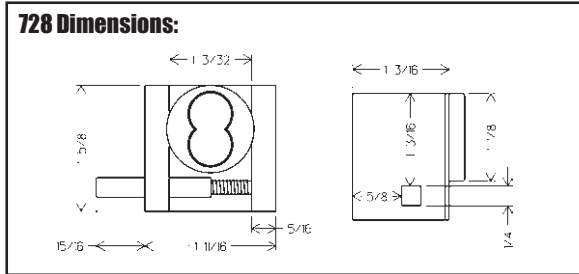
For Small Format IC Core

General features:

Handing: RH standard
Retrofits: Best 8L
Cores: Accepts Best, Arrow, Falcon, KSP, Schlage SFIC or equivalent small format interchangeable cores
Material: Zinc die cast cylinder housing, steel body
Barrel length: Adjustable
Finish: 26D
Packaging: Packed 10 per box

728MBL features:

Function: Mail Box lock, Fits most common mail box door designs



Other information:

Installation notes: Page 58
Architectural specifications: Page 50

| Part # | Finish | Size | Description |
|--------|--------|------------|------------------|
| 728MBL | 26D | Adjustable | IC Mail Box Lock |

729R

SERIES RATCHET LOCK

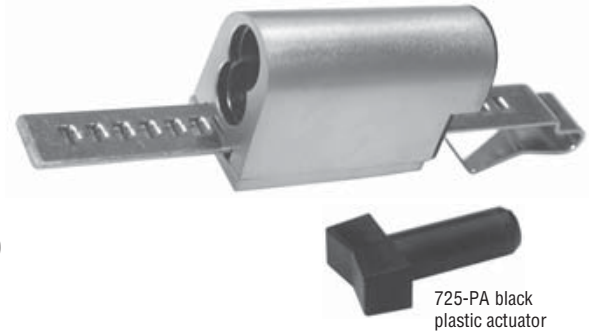
For Small Format IC Core

General features:

Retrofits: Best 3S Series
Cores: Accepts Best, Arrow, Falcon, KSP, Schlage SFIC or equivalent small format interchangeable cores
Includes:
 729RS-1 strap for 3/16" - 1/4" material thicknesses
 725-PA plastic actuator
Material: Zinc die cast cylinder housing, steel strap
Finish: 26D
Optional Strap:
 729RS-2 strap for 3/8" material thickness
 729RS-3 strap for up to 5/8" material thickness

729R features:

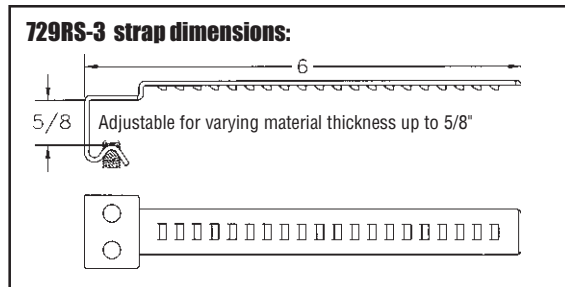
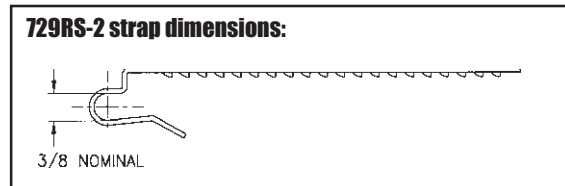
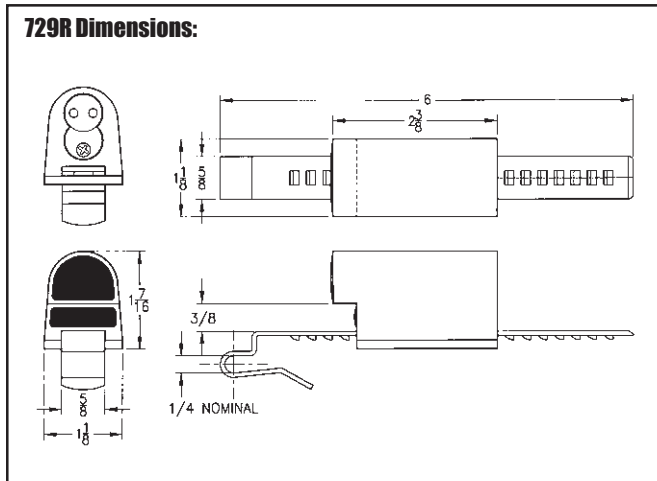
Function: IC ratchet lock for bypassing sliding doors



Other information:

Installation notes: Page 55
Architectural specifications: Page 50

| Part # | Finish | Mat. Thickness | Description |
|---|--------|----------------|-----------------|
| 729R | 26D | Up to 1/4" | IC Ratchet Lock |
| Optional straps: 729RS-2 fits up to 3/8" material thickness 729RS-3 fits up to 5/8" material thickness (adjustable) | | | |



CR1125

SERIES CABINET LOCKS

Surface Mounted Locks For Corbin/Russwin IC Core

General features:

- Mounting:** Rim (surface)
- Barrel length:** 1-1/8"
- Barrel diameter:** 1-5/32"
- Cores:** Accepts Corbin/Russwin interchangeable core cylinders
- Material:** Zinc die cast cylinder housing, steel back plate
- Finish:** 26D
- Packaged:** Packed 10 per box

Includes:

- 1125-1 spacer to fit 6 or 7 pin cores
- CR1125RD includes 725-SP-RD solid rectangular strike
- CR1125RL includes 725-SP-RL solid lipped strike
- 725-PA plastic actuator to functionally test lock without core

Available separately:

- 10-350 plastic spacers

Other information:

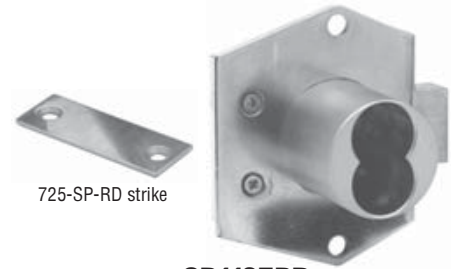
- Installation notes:** Page 55
- Architectural specifications:** Page 50

CR1125RD features:

- Function:** Deadbolt, door or drawer
- Handing:** Door left-hand (LH) or right-hand (RH), drawer vertical-hand (VH) - bolt projects up to lock
- Strike:** Includes 725-SP-RD solid rectangular strike

CR1125RL features:

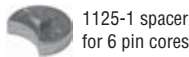
- Function:** Spring latch, drawer only
- Handing:** Drawer vertical-hand (VH) - bolt projects up to lock
- Strike:** Includes 725-SP-RL solid lipped strike



725-SP-RD strike

**CR1125RD
Rim Deadbolt**

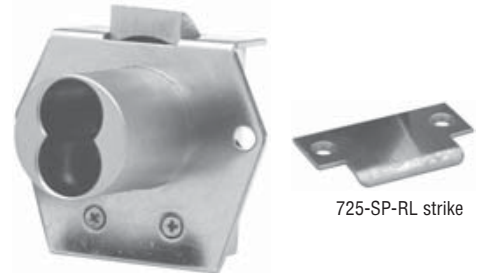
Includes:



1125-1 spacer for 6 pin cores



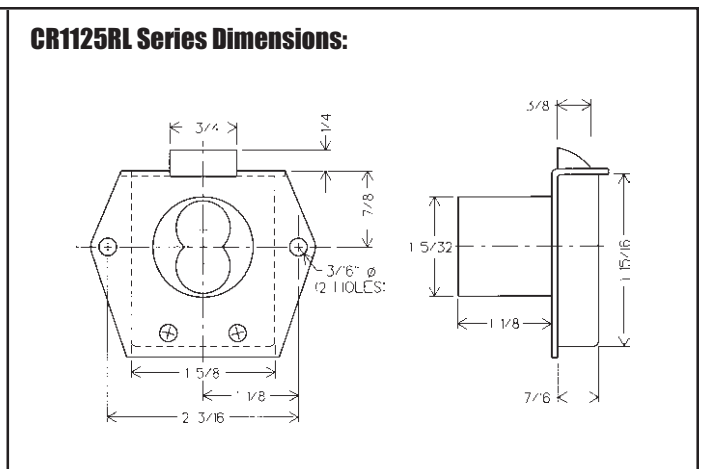
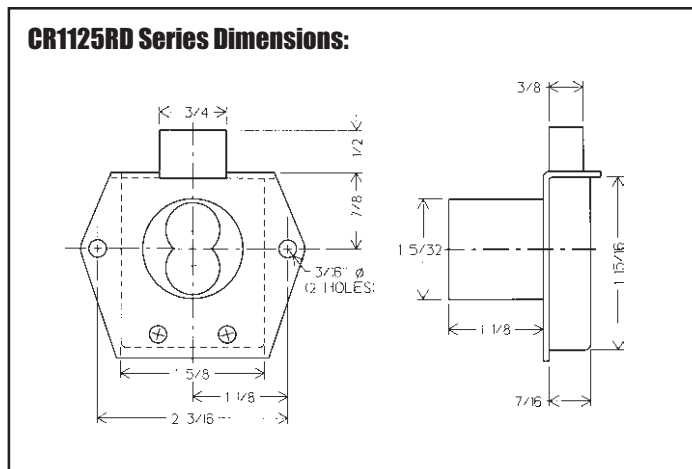
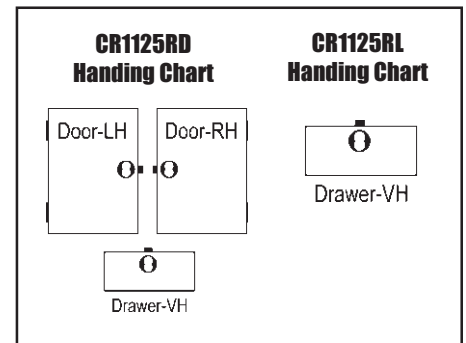
725-PA black plastic actuator



725-SP-RL strike

**CR1125RL
Rim Latch**

| Part # | Finish | Barrel | Handing | Description |
|------------|--------|--------|---------|-------------------------------|
| CR1125RDRH | 26D | 1-1/8" | DOOR RH | Rim deadbolt, right-hand door |
| CR1125RDLH | 26D | 1-1/8" | DOOR LH | Rim deadbolt, left-hand door |
| CR1125RDVH | 26D | 1-1/8" | DRWR VH | Rim deadbolt, drawer vertical |
| CR1125RLVH | 26D | 1-1/8" | DRWR VH | Rim latch, drawer vertical |



Works With Most Standard Padlocks

General features:

Function: Cam lock for use with padlock as locking device. Functions on doors or drawers. Ideal for locker applications

Through-hole: 0.4"

Padlocks: Available separately from Olympus Lock, Inc.

Max. material thickness: 1-1/8"

Barrel diameter: 3/4"

Finish: US26, US3, US19

Packaged: Packed 10 per box

Padlocks:

See Olympus Lock's complete line of brass padlocks on pages 61 - 63 for use with the DCP.

DCNP-500-ARP
Stabilizer plate



Includes:

DCNP-500-ARP stabilizer plate

DCP-SC straight 5/8" cam

DCP-LC straight 1-1/4" cam

| Part # | Finish | Barrel | Description |
|--------|-----------------|---------|--|
| DCP | US26, US3, US19 | 1-7/32" | Accepts most standard padlocks with a shackle diameter of 3/8" (10 mm) or less |

Available separately:

DCP-LC-112 straight cam, 1-1/2"

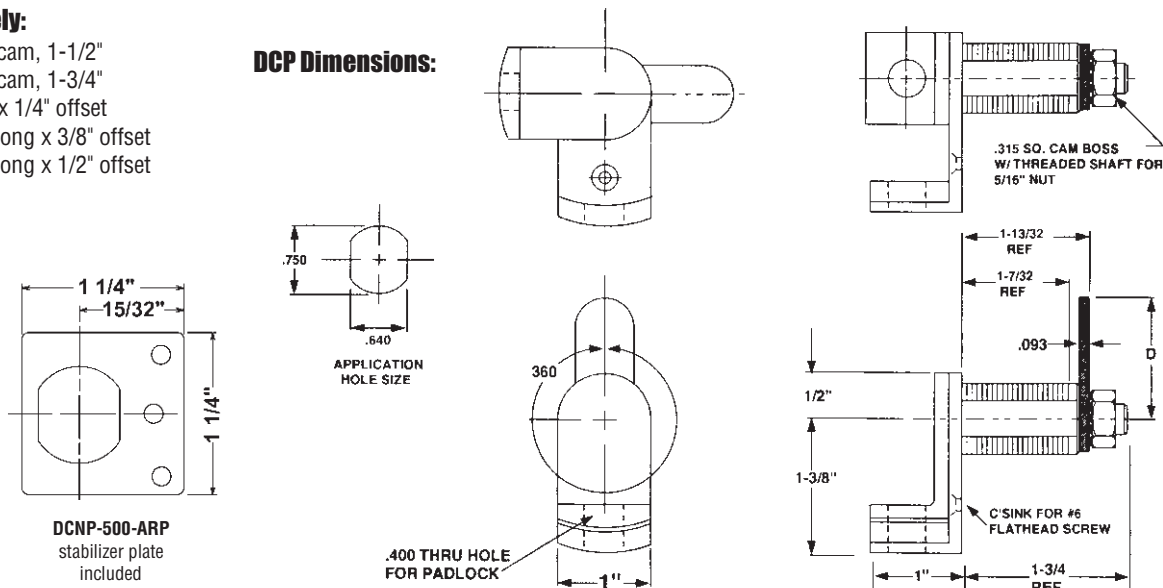
DCP-LC-134 straight cam, 1-3/4"

DCP-LBC 1-1/4" long x 1/4" offset

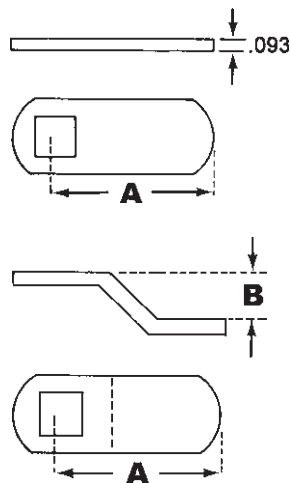
DCP-LBC-138 1-3/8" long x 3/8" offset

DCP-LBC-178 1-7/8" long x 1/2" offset

DCP Dimensions:



Available Cams:



Straight Cams:

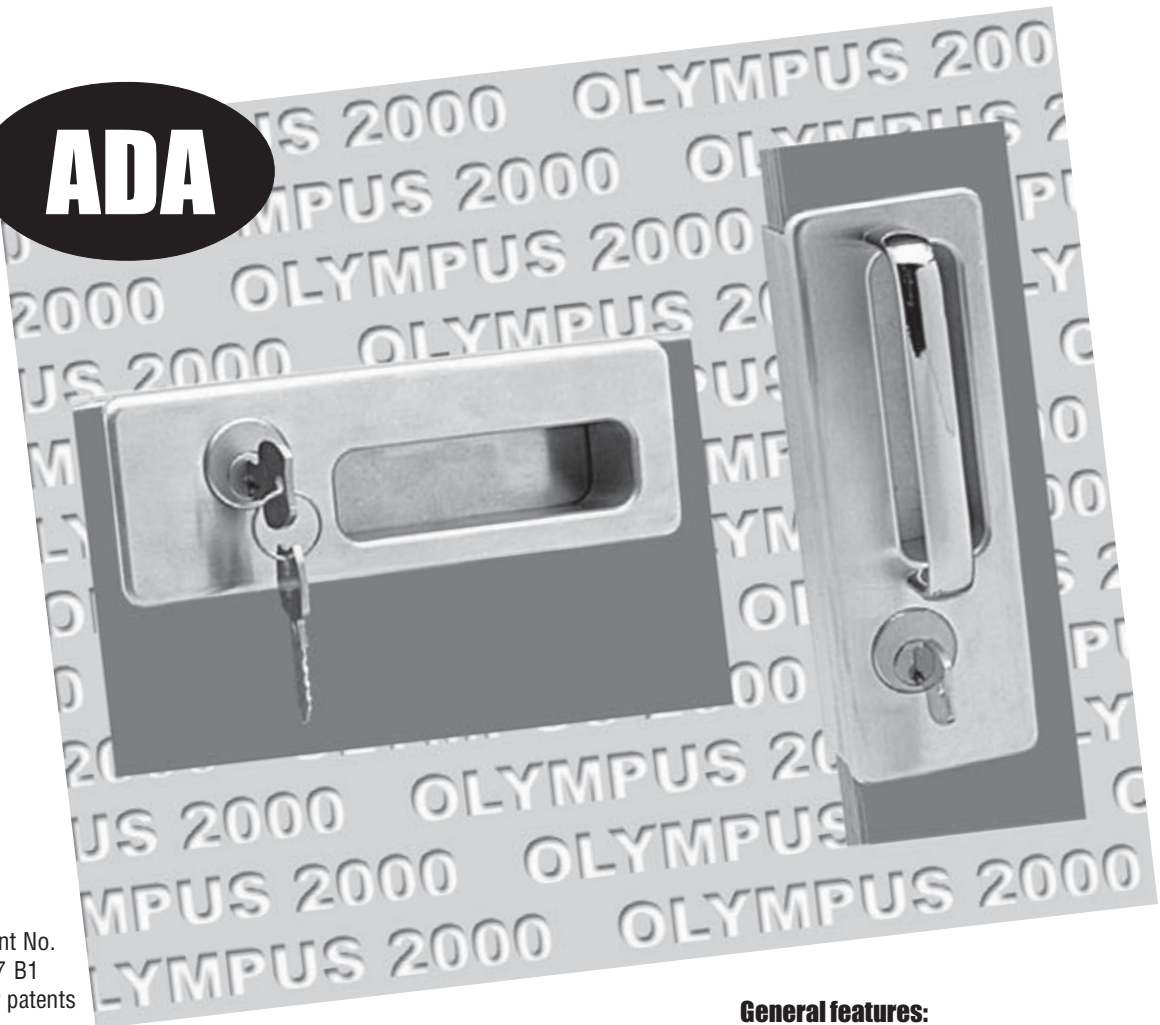
| CAM # | A |
|------------|--------|
| DCP-SC* | 5/8" |
| DCP-LC* | 1-1/4" |
| DCP-LC-112 | 1-1/2" |
| DCP-LC-134 | 1-3/4" |

*These cams ship standard with each lock

Offset Cams:

| CAM # | A | B |
|-------------|--------|------|
| DCP-LBC | 1-1/4" | 1/4" |
| DCP-LBC-138 | 1-3/8" | 3/8" |
| DCP-LBC-178 | 1-7/8" | 1/2" |

ADA



U.S. Patent No.
6,412,317 B1
and other patents
pending

"I applaud your research toward a beneficial solution to all users, including people with disabilities," and for "creating a system that would not only meet the required code and ADA standards, but would truly work the best for the widest range of users."

— Barbara L. Allan,
Director Access/Abilities Program, Easter Seals

General features:

- Cabinet pull and lock all in one unit
- Compatible for use in ADA (American Disabilities Act) applications when used with optional wire pull
- Fits door (LH or RH) and drawer applications
- Available in US3 or 26D finish
- Accepts small or large pin Olympus cabinet locks
- Locks available keyed alike, keyed different or custom keyed to your specifications
- Optional wire pull available for mounting in two positions
- Easy to install - just cut a notch out of the door or drawer, insert unit, and use screws to tighten in place
- Matching dummy handles for non-locking doors and drawers



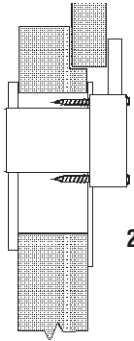
HANDLES

OLYMPUS 2000 HANDLES

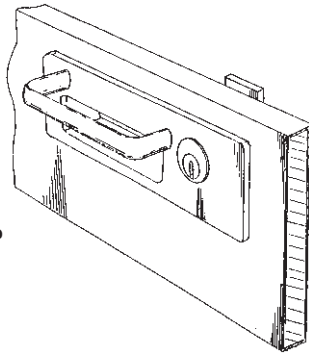
Integrated Cabinet Pull and Lock

Overlay construction

For door or drawer applications



2001SP & 2001LP
Fits 3/4" to 1"
material



2001SP - Locking handle
2001SPD - Dummy Handle

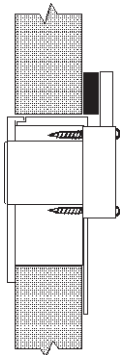
- For small pin cabinet locks
- Locking handles accept 7/8" diameter Olympus cabinet lock series 100, 200, 500 or 600 and DCN/DCR Olympus cam locks when optional #2000MED cam lock adapter is used
- Available RH or LH door and drawer
- Finish: 26D or US3

2001LP - Locking handle
2001LPD - Dummy Handle

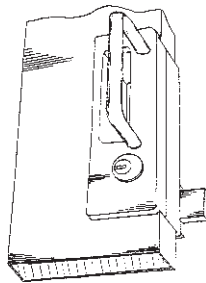
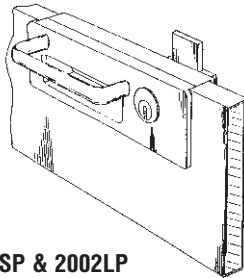
- For large pin cabinet locks
- Locking handles accepts 1-1/8" diameter Olympus cabinet lock series 700, 721, 754, 777, 800, 854, 888 or 931
- Available RH or LH door and drawer
- Finish: 26D or US3

Flush construction

For door or drawer applications



2002SP & 2002LP
Fits 3/4" to 7/8"
material



2002SP - Locking Handle
2002SPD - Dummy Handle

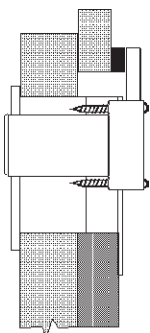
- For small pin cabinet locks
- Locking handles accept 7/8" diameter Olympus cabinet lock series 100, 200, 500 or 600 and DCN/DCR Olympus cam locks when optional #2000MED cam lock adapter is used
- Available RH or LH door and drawer
- Finish: 26D or US3

2002LP - Locking Handle
2002LPD - Dummy Handle

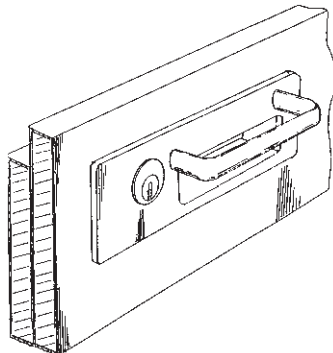
- For large pin cabinet locks
- Locking handles accepts 1-1/8" diameter Olympus cabinet lock series 700, 721, 754, 777, 800, 854, 888 or 931
- Available RH or LH door and drawer
- Finish: 26D or US3

Drawer liner construction

For door or drawer applications



2003SP - Fits
1-1/2" material
2004SP - Fits
1-1/4" to 1-3/8"
material
2003LP - Fits
1-3/8" material



2003SP - Locking handle (for 1-1/2" material)
2003SPD - Dummy handle (for 1-1/2" material)
2004SP - Locking handle (for 1-1/4" to 1-3/8" material)
2004SPD - Dummy handle (for 1-1/4" to 1-3/8" material)

- For small pin cabinet locks
- Locking handles accept 7/8" diameter Olympus cabinet lock series 100, 200, 500 or 600 and DCN/DCR Olympus cam locks when optional #2000MED cam lock adapter is used
- Available RH door or drawer
- Finish: 26D or US3

2003LP - Locking handle (for 1-3/8" material)
2003LPD - Dummy handle (for 1-3/8" material)

- For large pin cabinet locks
- Locking handles accepts 1-1/8" diameter Olympus cabinet lock series 700, 721, 754, 777, 800, 854, 888 or 931
- Available RH door or drawer
- Finish: 26D or US3



Special note: All above handles are

compatible for use in ADA (American Disabilities Act) applications when used with optional oval wire pull. Oval pull sold separately.

HANDLES

OLYMPUS 2000 HANDLES

Integrated Cabinet Pull and Lock

Architectural Specificaitons

ITEM: 2000SP Series door/drawer for small pin cabinet locks

ITEM: 2000LP Series door/drawer for large pin cabinet locks

All cabinets shall use Olympus Lock 2000 handles (U.S. Patent No. 6,412,317 B1). Non-locking cabinets to use 2000 dummy handles. Handles to incorporate lock within handle body and to utilize through-bolt mounting for added security. The door and drawer locks used with handle shall be easily rekeyable such as provided by Olympus Lock, Inc. US Patent Nos. 4,899,563 and 4,920,774). Locks to have passed ANSI Grade 1* cycle testing.

Note: Place specific cabinet lock specification here. See cabinet lock specifications in this catalog.

* ANSI/BHMA A 156.11 Grade 1 cycle testing. Withstood in excess of 40,000 cycles with no damage. In testing all other requirements of ANSI/BHMA A 156.11, no less than Grade 2 performance was attained.

Handing Chart for Olympus 2000 Handles



Left-hand handle with optional wire pull



Right-hand handle with optional wire pull

U.S. Patent No.
6,412,317 B1
and other patents
pending



Left-hand dummy handle



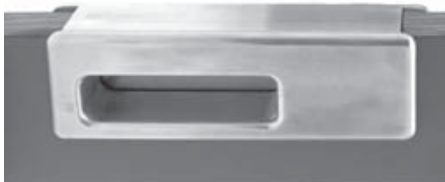
Right-hand dummy handle



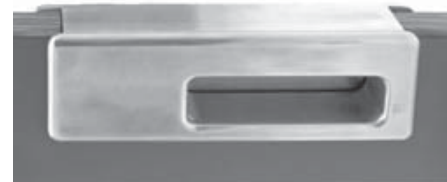
Left-hand handle used in drawer application



Right-hand handle used in drawer application



Left-hand dummy handle used in drawer application



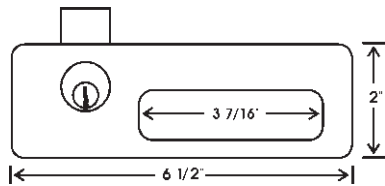
Right-hand dummy handle used in drawer application

HANDLES

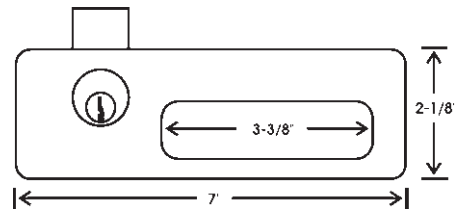
OLYMPUS 2000 HANDLES

Integrated Cabinet Pull and Lock

SMALL PIN HANDLE DIMENSIONS

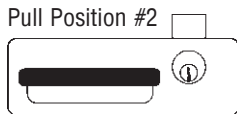
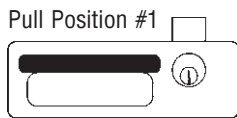


LARGE PIN HANDLE DIMENSIONS



OVAL WIRE PULL

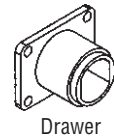
Positions available for 3-3/4" or 4" optional oval wire pull (required for ADA compliance). Pull will be mounted in position #1 unless specified otherwise at time of order. For use with small or large pin handles.



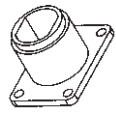
Can be used in both door or drawer applications.

CAM LOCK ADAPTERS

- For use with small pin handles only
- Zinc diecast material
- Adapters available for 3/4" Medeco or Olympus DCN or DCR cam locks



Drawer



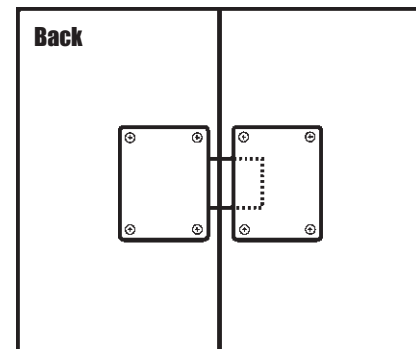
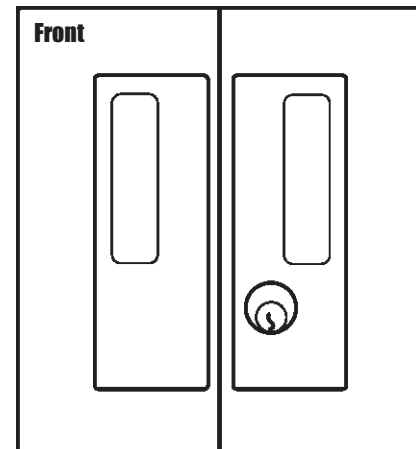
Door

Item No.
2000MED-DR
2000MED-DW

Description
For door applications
For drawer applications

| Item No. | Description |
|--------------|--|
| 102-015-96SC | 3 3/4" satin chrome pull, 26D finish |
| 102-015-96 | 3 3/4" polished brass pull, US3 finish |
| 102-015-4SC | 4" satin chrome pull, 26D finish |
| 102-015-4 | 4" polished brass, US3 finish |

Lock cover and strike box usage



LOCK COVER & STRIKE BOX KEEPER: For use on pairs of doors when cabinet lock bolt locks behind dummy handle. See example at right. →

- Lock cover and strike box keeper hold cabinet lock bolt in place on pairs of doors.
- Lock cover/strike ships standard with dummy handles.
- Strike box keeper available separately.



Lock cover/strike



Strike box keeper

| Item No. | Description |
|-----------|--|
| 2SPD-SP | Lock cover/strike for small pin locks and handles, 26D or US3 finish |
| 2SPD-KEPR | Strike box keeper for small pin locks and handles, 26D or US3 finish |
| 2LPD-SP | Lock cover/strike for large pin locks and handles, 26D or US3 finish |
| 2LPD-KEPR | Strike box keeper for large pin locks and handles, 26D or US3 finish |

N1/R1

SERIES PIN KITS

For National & CCL Keyway Locks



Made in USA

N1 KIT For National Keyway Locks

For use with the following Olympus locks:

100, 200, N078, 300, 998, 999, DCN1, 2, 3, 4

N1 Pin Kit Features:

Keyway: National D4291/D4292 Keyway

Pins: Color coded, .101 diameter brass pins

Each kit includes:

100 each: Drivers 1 through 4

100 each: Master drivers 2 through 9

100 each: Tumblers 0 through 9

100 each: Tumbler springs

10 each: Set screws

1 each: Plug follower

| Part # | Description | Qty/pkg. |
|--------|------------------|----------|
| OC3730 | Driver #1 | 100 |
| OC3731 | Driver #2 | 100 |
| OC3732 | Driver #3 | 100 |
| OC3733 | Driver #4 | 100 |
| OC3740 | Master driver #2 | 100 |
| OC3741 | Master driver #3 | 100 |
| OC3742 | Master driver #4 | 100 |
| OC3743 | Master driver #5 | 100 |
| OC3744 | Master driver #6 | 100 |
| OC3745 | Master driver #7 | 100 |
| OC3746 | Master driver #8 | 100 |
| OC3747 | Master driver #9 | 100 |
| OC3750 | Tumbler #0 | 100 |
| OC3751 | Tumbler #1 | 100 |
| OC3752 | Tumbler #2 | 100 |
| OC3753 | Tumbler #3 | 100 |
| OC3754 | Tumbler #4 | 100 |
| OC3755 | Tumbler #5 | 100 |
| OC3756 | Tumbler #6 | 100 |
| OC3757 | Tumbler #7 | 100 |
| OC3758 | Tumbler #8 | 100 |
| OC3759 | Tumbler #9 | 100 |
| OC3737 | Tumbler springs | 100 |
| S100 | Set screws | Each |
| FL1 | Plug follower | Each |

Additional pins available (100 pcs. per pkg.)

R1 KIT For CCL Keyway Locks

For use with the following Olympus locks:

500, 600, R078, 300, 996, 997, DCR1, 2, 3, 4

R1 Pin Kit Features:

Keyway: CCL R1 Keyway

Pins: Color coded, .95 diameter brass pins, Olympus B4R ball end bottom pins, type B4R & 4R master pins

Each kit includes:

100 each: Master pins 2 through 9

100 each: Bottom pins 0 through 9

100 each: Drivers 0 and 5

100 each: Tumbler springs

10 each: Set screws

1 each: Plug follower

| Part # | Description | Qty/pkg. |
|--------|-----------------|----------|
| X025 | Master pin #2 | 100 |
| X038 | Master pin #3 | 100 |
| X050 | Master pin #4 | 100 |
| X063 | Master pin #5 | 100 |
| X075 | Master pin #6 | 100 |
| X088 | Master pin #7 | 100 |
| X100 | Master pin #8 | 100 |
| X113 | Master pin #9 | 100 |
| W111 | Bottom pin #0 | 100 |
| W123 | Bottom pin #1 | 100 |
| W136 | Bottom pin #2 | 100 |
| W148 | Bottom pin #3 | 100 |
| W161 | Bottom pin #4 | 100 |
| W173 | Bottom pin #5 | 100 |
| W186 | Bottom pin #6 | 100 |
| W198 | Bottom pin #7 | 100 |
| W210 | Bottom pin #8 | 100 |
| W223 | Bottom pin #9 | 100 |
| X155 | Driver #0 | 100 |
| X088 | Driver #5 | 100 |
| OC3737 | Tumbler springs | 100 |
| S100 | Set screws | Each |
| FL1 | Plug follower | Each |

Additional pins available (100 pcs. per pkg.)



info@olympus-lock.com · www.olympus-lock.com

206-362-3290 • 800-525-0954 • FAX-206-362-3569

Hours: 7:00 am - 4: 00 pm PST Monday - Friday

Page 39

KEYS

KEYBLANKS & CUT KEYS

For Olympus Cabinet Locks

National Keyway Key Blanks

KBN-4-NP National D4291 keyway - 4 pin blank
KBN-5-NP National D4292 keyway - 5 pin blank

National Keyway Cut Keys

KB-101-NP Cut key for KA #101
KB-103-NP Cut key for KA #103
KB-107-NP Cut key for KA #107
KB-915-NP Cut key for KA #915
KBN-4-CUST Custom cut 4-pin key
KBN-5-CUST Custom cut 5-pin key
KB-GM1MK-NP Cut master key for National
GM1 (4-pin) master key system
KB-GM2MK-NP Cut master key for National
GM2 (5-pin) master key system

CCL Keyway Key Blanks

KBR-5-NP CCL R1 keyway - 5 pin blank
KBR-6-NP CCL R1 keyway - 6 pin blank

CCL Keyway Cut Keys

KB-4T2-NP Cut key for KA #4T21579
KB-4T3-NP Cut key for KA #4T37526
KBR-5-CUST Custom cut 5-pin key
KBR-6-CUST Custom cut 6-pin key
KB-R1MK-NP Cut master key for CCL R1 master key system

Schlage C Keyway Cut Keys

KB-700-101 Cut key for KA#101
KB-700-102 Cut key for KA#102
KB-700-CUST Custom cut key Schlage C keyway
KB-700MK Cut master key Schlage C master key system

FDB

SERIES DISPLAY BOARDS

Free-Standing Counter Display Boards

This valuable resource demonstrates the variety of pin-tumbler cabinet locks available from Olympus Lock. Each lock is mounted so it can be functionally tested. Boards are made of particle board/plastic laminate and are free-standing for countertop display. Specific finishes or locks may be requested at time of order.

FDB-001



FDB-001

Includes a sampling of each product family:
large pin, small pin, interchangeable core, handles

FDB-002



FDB-002

Includes a sampling of our small pin locks in National
and/or CCL keyways.

FDB-003



FDB-003

Includes a sampling of our large pin and/or Schlage
large format interchangeable core locks

FDB-004



FDB-004

Includes a sampling of our small format interchangeable
core locks

TRIM RING

TR78 & TR1256 SERIES

For Olympus Cabinet Locks

TR1256

Fits: 7/8" diameter cabinet locks
Finish: 26D or US3
Use with: 100, 200, N078, 999, 998, 500, 600, R078, 997, 996



TR78

Fits: 1-1/8" diameter cabinet locks
Finish: 26D or US3
Use with: 700, 800, 850, 950, 721, 725, 754, 854, 777, 888, L7080



TRIM COLLAR

TR200 SERIES

For Olympus 720, 820 & 920 Cam Locks



TR201
1/8" trim collar
32D or US3 finish

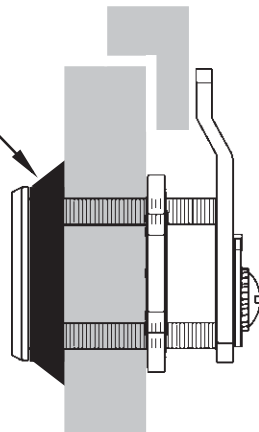


TR202
1/4" trim collar
32D or US3 finish



TR202
3/8" trim collar
32D or US3 finish

Trim collars fit between the face of the lock and the front of the casework material. This allows the lock to be pulled forward for thinner material thicknesses.



TR200A - Trim Collar Package

Includes trim collars: TR201, TR202 and TR203 together in polybag 32D or US3 finish



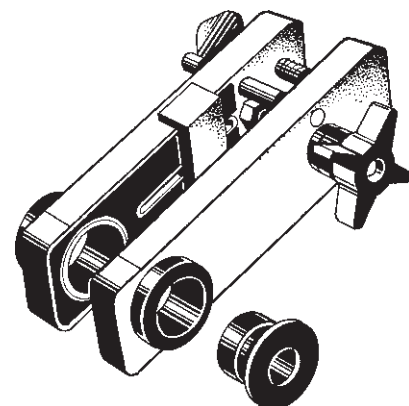
CL-HIT-25

CABINET LOCK DRILL GUIDE

For Olympus Cabinet Locks

Rubber lined jaws protect cabinet doors and give greater holding power.

- Adjustable stop for repeat installations on the same cabinet door.
- Works on doors up to 1-1/2" thick.
- Locate the cylinder hole up to 2-5/8" from the edge of the door.
- Five sizes of drill bushings for versatility: 3/4", 7/8", 1", 1-1/8" and 1-1/4". These bushings are designed to be used with clean cutting Forstner-type drill bits and are not compatible with hole saws, paddle, or spade-type bits.



SPACERS

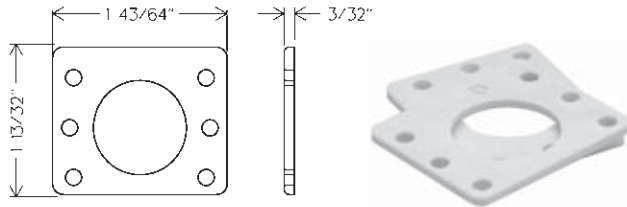
INTERNAL SPACERS

For Small Pin, 7/8" Diameter Cabinet Locks

WP21

Thickness: 3/32" thick shim for flush mounting face of lock with face of cabinet

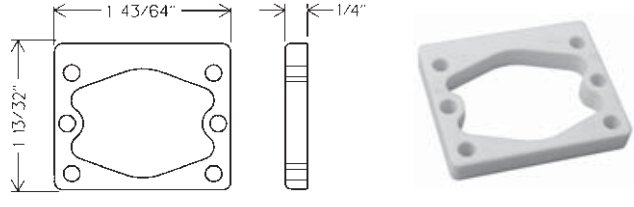
Use with: 100, 200, 500, 600, N078, R078



WP22

Thickness: 1/4" thick shim for flush mounting face of lock with face of cabinet

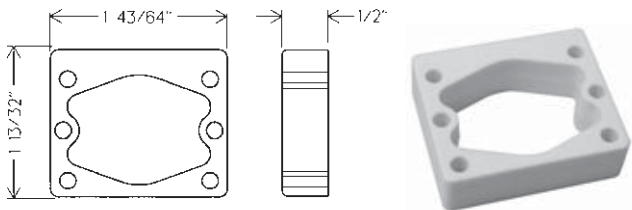
Use with: 100, 200, 500, 600, N078, R078



WP23

Thickness: 1/2" thick shim for flush mounting face of lock with face of cabinet

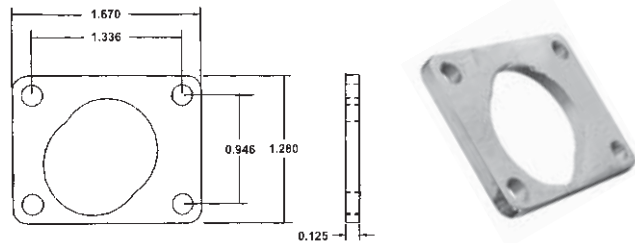
Use with: 100, 200, 500, 600, N078, R078



ETST6

Thickness: 1/8" thick shim for flush mounting face of lock with face of cabinet

Use with: 996, 997, 998, 999 latch locks



SPACERS

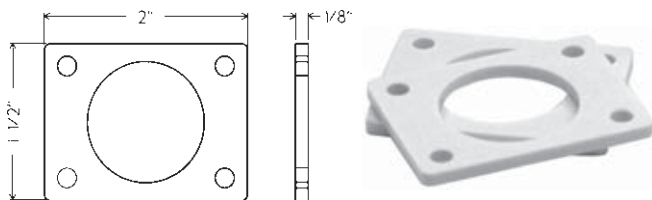
INTERNAL SPACERS

For Large Pin, 1-1/8" Diameter Cabinet Locks

10-350

Thickness: 1/8" thick shim for flush mounting face of lock with face of cabinet

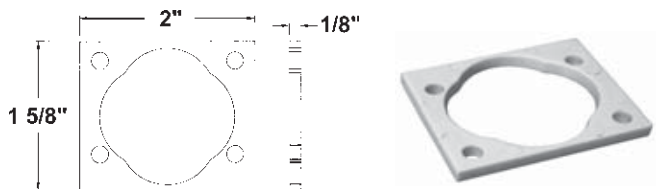
Use with: 700, 721, 725, 754, 777, 800, 850, 854, 888, 931, 950, CR1125



10-351

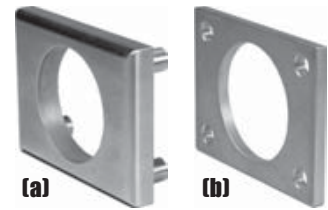
Thickness: 1/8" thick shim for flush mounting face of lock with face of cabinet

Use with: L7080 Series



Reinforcing trim spacer (a)

- External metal 1/4" reinforcing trim spacer allows for an attractive flush mounting of the cabinet lock face
- Through-bolt mount increases security of installation through reinforcement of cabinet face and direct connection of lock mounting screws to external reinforcing trim spacer's binder posts
- Available in US3 and 26D finishes
- Includes mounting screws



U.S. Patent No. D490,686 S

Template for reinforcing trim spacer (b)

- Allows for proper mounting hole placement of external trim spacer
- Can be used as a 1/8" shim spacer
- Available in US3 and 26D finishes

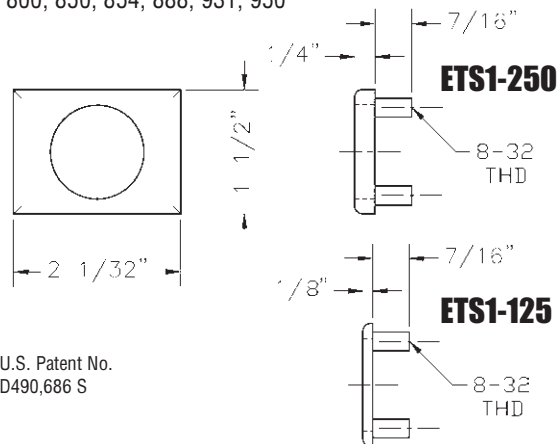
Reinforcing trim spacers and templates increase security by providing through-bolt mounting of Olympus cabinet locks.

ETS1-125: 1/8" thick reinforcing trim spacer for use with 700, 721, 754, 777, 800, 850, 854, 888, 931, 950

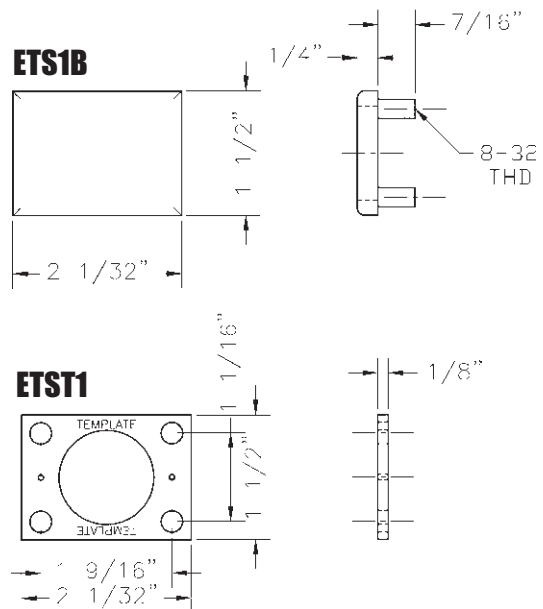
ETS1-250: 1/4" thick reinforcing trim spacer for use with 700, 721, 754, 777, 800, 850, 854, 888, 931, 950

ETS1B: Reinforcing trim spacer (no hole) for use with 2LPD-SP lock cover and 2LPD-KEPR strike box keeper

ETST1: Reinforcing trim spacer template for use with 700, 721, 754, 777, 800, 850, 854, 888, 931, 950



U.S. Patent No. D490,686 S

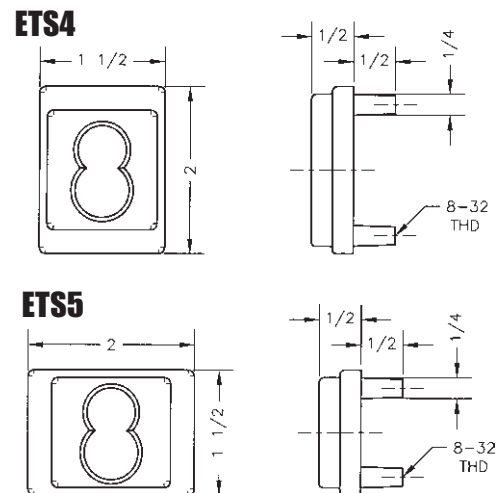


ETS4: Reinforcing trim spacer for use with 777

ETS5: Reinforcing trim spacer for use with 888



U.S. Patent No. D490,686 S



ETS2-125: 1/8" thick reinforcing trim spacer for 100, 200, 500, 600

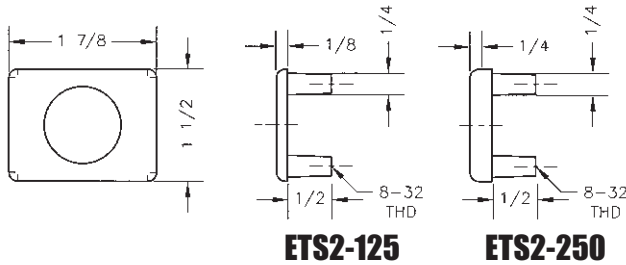
ETS2-250: 1/4" thick reinforcing trim spacer for 100, 200, 500, 600

ETST2: Reinforcing trim spacer template for 100, 200, 500, 600



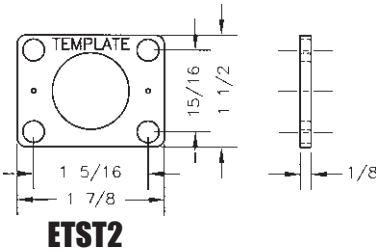
U.S. Patent No. D490,686 S

Reinforcing trim spacers and templates increase security by providing through-bolt mounting of Olympus cabinet locks.



ETS2-125

ETS2-250



ETST2

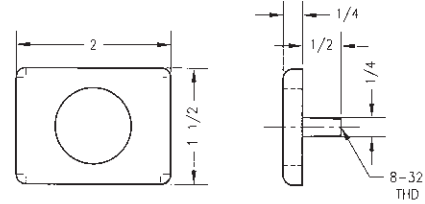
ETS3: Reinforcing trim spacer for N078, R078

ETST3: Reinforcing trim spacer template for N078, R078

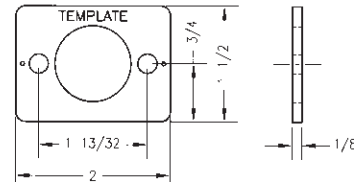


U.S. Patent No. D490,686 S

ETS3



ETST3



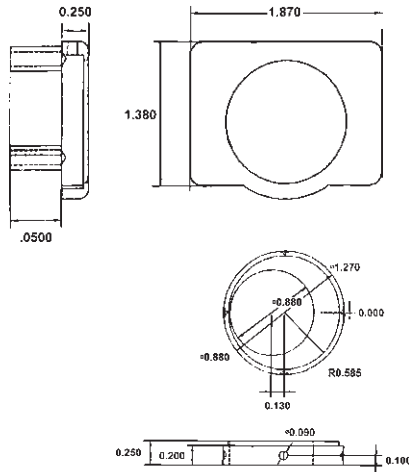
ETS6: Reinforcing trim spacer for use with 999, 998, 997, 996 latch locks

ETST6: Reinforcing trim spacer template for use with 999, 998, 997, 996 latch locks

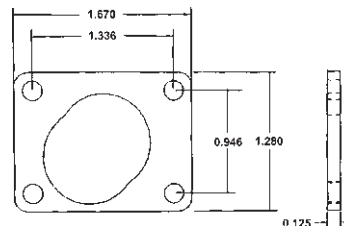


U.S. Patent No. D490,686 S

ETS6
Includes both pieces



ETST6



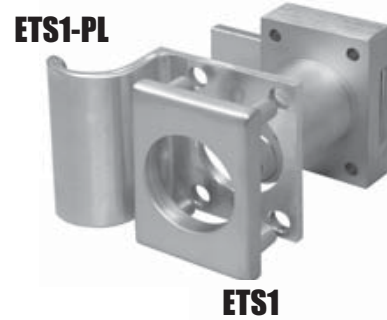
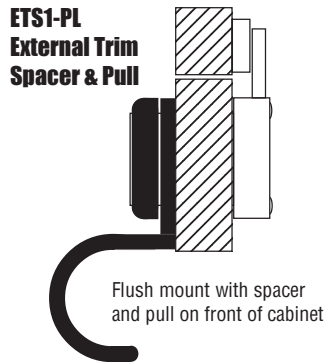
ETS1-PL

CABINET TRIM PULL

For 1-1/8" Diameter Cabinet Locks

ETS1-PL- Cabinet Pulls

- The ETS1-PL cabinet pull fits between our ETS1 reinforcing trim spacer and the face of the cabinet
- When combined with the ETS1 external trim spacers, they provide through-bolt mounting of the cabinet lock and pull in a single unit
- Works for both door or drawer applications
- If mounted "pull down" in drawer applications, the pull will protect the face of the cabinet from the wear and tear of hanging keys
- Works with existing ETS1 hardware and screws
- Available in US3 and US26D finishes
- For 1-1/8" diameter lock nos.: 700, 721, 754, 777, 800, 850, 854, 888, 931, 950



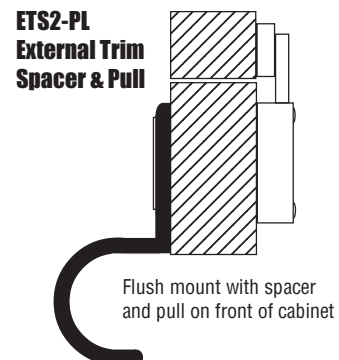
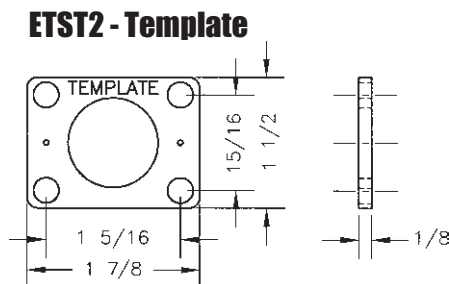
ETS2-PL

CABINET TRIM PULL

For 7/8" Diameter Cabinet Locks

ETS2-PL - Cabinet Pulls

- The ETS2-PL cabinet pull is mounted on the face of the cabinet and provides through-bolt mounting of the cabinet lock and pull in a single unit
- Does not require use of ETS2 reinforcing trim spacer
- Works for both door or drawer applications
- If mounted "pull down" in drawer applications, the pull will protect the face of the cabinet from the wear and tear of hanging keys
- Works with existing ETST2 trim spacer templates
- Available in US3 and US26D finishes
- For 7/8" diameter lock nos.: 100, 200, 500, 600



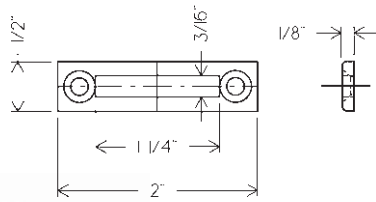
It is recommended that you use the ETST2 template for proper placement and drilling of mounting holes prior to installation.

STRIKES

FOR CABINET LOCKS

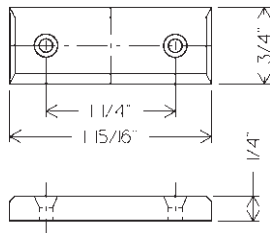
10-052

Type: Slotted strike
Finish: 26D finish



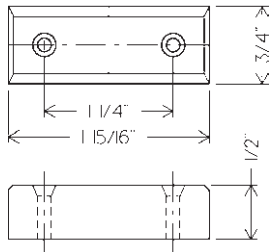
10-054

Type: 1/4" bar strike
Finish: White plastic



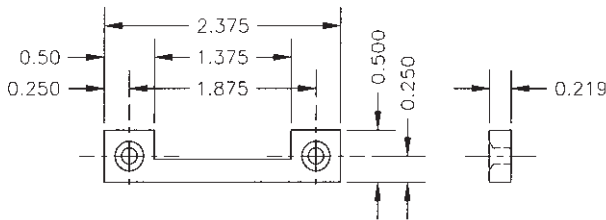
10-055

Type: 1/2" bar strike
Finish: White plastic



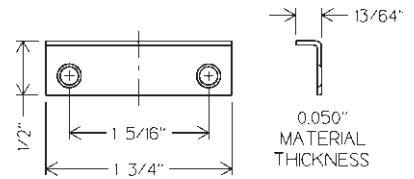
10-056

Type: Notched bar strike
Finish: 26D



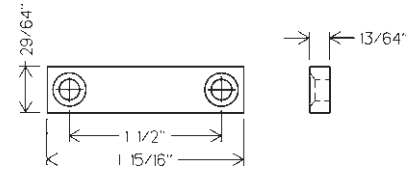
12-1

Type: Angle strike
Finish: 26D or US4



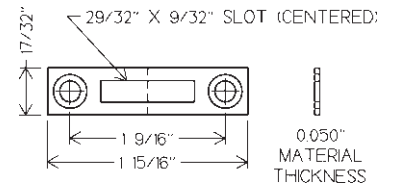
56-1

Type: Bar strike
Finish: 26D or US4



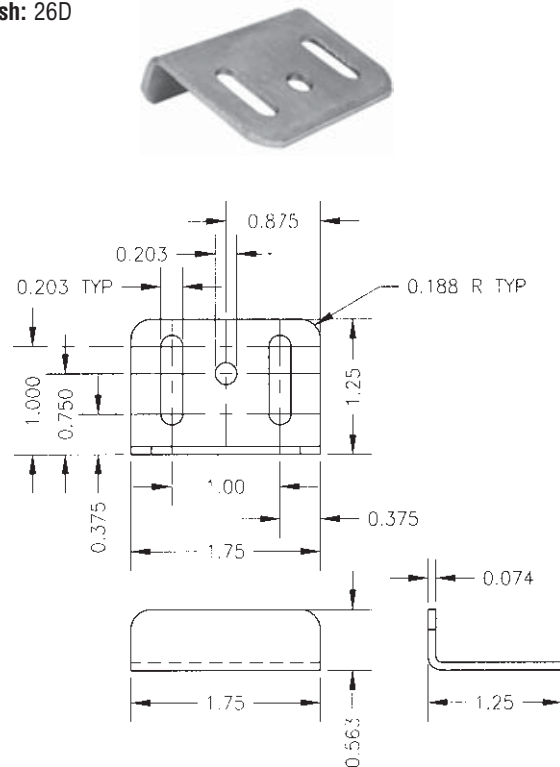
07S

Type: Slotted strike
Finish: 26D or US4



12-2

Type: Heavy duty angle strike
Finish: 26D

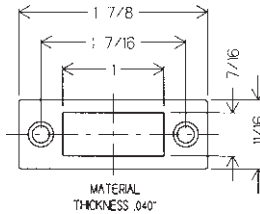


STRIKES

FOR CABINET LOCKS

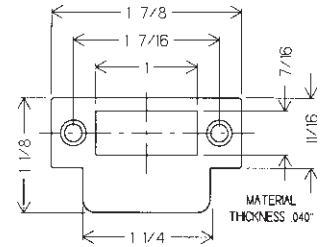
725-SP-MD

Use with: 725 mortise deadbolt
Finish: US3



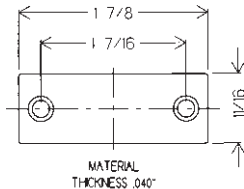
725-SP-ML

Use with: 725 mortise latch
Finish: US3



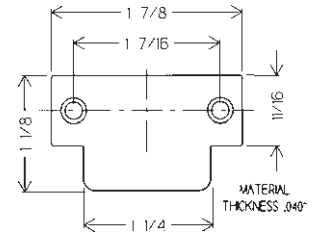
725-SP-RD

Use with: 725/CR1125 rim deadbolt
Finish: US3



725-SP-RL

Use with: 725/CR1125 rim latch
Finish: US3



L78ST-1

Type: Lipped strike
Use with: L7080, 1-1/8" barrel length
Finish: US3

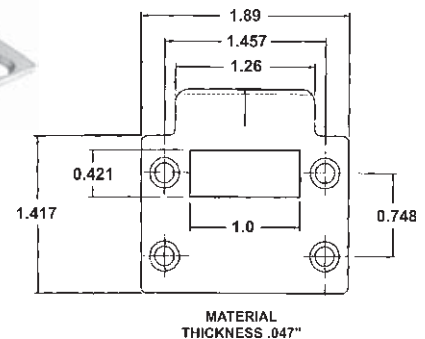


L78ST-2

Type: Lipped strike
Use with: L7080, 1-3/8" barrel length
Finish: US3

999-STRIKE

Type: Lipped strike
Use with: 996, 997, 998, 999
Finish: US3



850-210

Type: Lipped strike
Use with: 850/950, 1-1/8" barrel length
Finish: US3



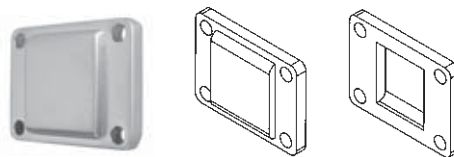
850-211

Type: Lipped strike
Use with: 850/950, 1-3/8" barrel length
Finish: US3

2LPD-SP / 2SPD-SP

2LPD-SP: for use with 1-1/8" diameter locks and large pin handles
2SPD-SP: for use with 7/8" diameter locks and small pin handles
Finish: 26D or US3

Lock Cover

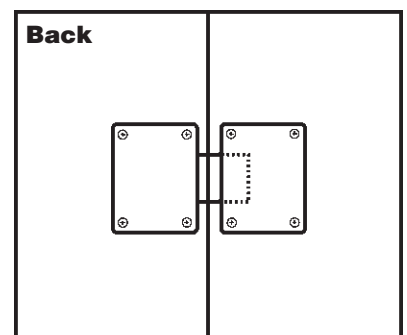
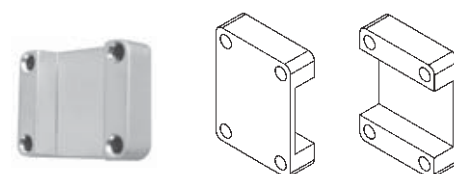


Lock cover and strike box usage
Lock cover and strike box keeper hold cabinet lock bolt in place on pairs of doors.

2LPD-KEPR / 2SPD-KEPR

2LPD-KEPR: for use with 1-1/8" diameter locks and large pin handles
2SPD-KEPR: for use with 7/8" diameter locks and small pin handles
Strike box keeper
Finish: 26D or US3

Strike Box Keeper



See page 27 - for use with Olympus handles.

National Keyway

4 PIN - 650 key changes available under a master key system

5 PIN - 2,000 key changes available under a master key system

OLYMPUS DEADBOLT LOCKS

Olympus 100DR (door) - Olympus 200DW (drawer)

Cabinet locks: Provide **Olympus 100DR (door)** and **Olympus 200DW (drawer)** easily rekeyable cabinet locks such as manufactured by Olympus Lock, Inc. All locks to include: working cylinder slides and forwardly removable cylinders for rekeying without totally disassembling lock body. Furnish 2 keys per lock and bar or slotted strikes as required. Spacers to be provided as required for flush fit with outside face of casework material. Locks shall be capable of being keyed alike, keyed different and/or master keyed per supplied schedule. Locks will have passed ANSI Grade 1 cycle testing.

OLYMPUS LATCH LOCKS

Olympus 999R (RH-door) / 999L (LH-door) - Olympus 998 (drawer)

Cabinet locks: Provide **Olympus 999 (door)** and **998 (drawer)** easily rekeyable latch locks such as manufactured by Olympus Lock, Inc. All locks to include: working cylinder slides, forwardly removable cylinders for rekeying without totally disassembling lock body and four-way reversible handing. Keyway will remain in the vertical position regardless of installation as a door or drawer. Spacers will be provided as required for flush fit with outside face of casework material. Furnish 2 keys per lock and lipped strike as required. Locks shall be capable of being keyed alike, keyed different and/or master keyed per supplied schedule.

OLYMPUS SLIDING DOOR LOCK

Olympus 300SD (sliding door)

Cabinet locks: Provide **Olympus 300SD (sliding door)** lock. Locks shall be easily rekeyable without removal from cabinet via a speed release mechanism such as manufactured by Olympus Lock, Inc. All locks to include: working cylinder slides, forwardly removable cylinders for rekeying without totally disassembling lock body, built in bolt extension and strike locator. Locks will include 2 keys per lock and shall be capable of being keyed alike, keyed different and/or master keyed per supplied schedule.

OLYMPUS CAM LOCKS

Olympus DCN1, DCN2, DCN3, DCN4

Cabinet locks: Provide **Olympus DCN Series (cam lock)**. Cam locks to be easily rekeyable and field reversible such as manufactured by Olympus Lock, Inc. All cylinders to include a working top slide mechanism and retainer staple to permit easy rekeying and field maintenance of lock. Cam locks will have a 1 inch face diameter and include an anti-rotation plate to trap the hex nut and prevent the lock from twisting in the hole. All cam locks will be field reversible such that one straight and one offset cam will provide all locking positions. Locks will include 2 keys per lock and shall be capable of being keyed alike, keyed different and/or master keyed per supplied schedule.

OLYMPUS DEADBOLT LOCKS

Olympus N078R (RH-door) / N078L (LH-door) - Olympus N078 (drawer)

Cabinet locks: Provide **Olympus N078 (door)** and **N078 (drawer)** easily rekeyable cabinet locks such as manufactured by Olympus Lock, Inc. All locks to include: working cylinder slides and forwardly removable cylinders for rekeying without totally disassembling lock body. Provide spacers as required for flush fit with outside face of casework material. Keyway will remain in the vertical position regardless of installation as a door or drawer. Locks will include 2 keys per lock and shall be capable of being keyed alike, keyed different and/or master keyed per supplied schedule.

CCL Keyway

5 PIN - 2,000 key changes available master key system

6 PIN - 4,000 key changes available master key system

OLYMPUS DEADBOLT LOCKS

Olympus 500DR (door) - Olympus 600DW (drawer)

Cabinet locks: Provide **Olympus 500DR (door)** and **Olympus 600DW (drawer)** easily rekeyable cabinet locks such as manufactured by Olympus Lock, Inc. All locks to include: working cylinder slides and forwardly removable cylinders for rekeying without totally disassembling lock body. Furnish 2 keys per lock and bar or slotted strikes as required. Spacers to be provided as required for flush fit with outside face of casework material. Locks shall be capable of being keyed alike, keyed different and/or master keyed per supplied schedule and will include .095 diameter pins. Locks will have passed ANSI Grade 1 cycle testing.

OLYMPUS LATCH LOCKS

Olympus 997R (RH-door) / 997L (LH-door) - Olympus 996 (drawer)

Cabinet locks: Provide **Olympus 997 (door)** and **996 (drawer)** easily rekeyable latch locks such as manufactured by Olympus Lock, Inc. All locks to include: working cylinder slides, forwardly removable cylinders for rekeying without totally disassembling lock body and four-way reversible handing. Keyway will remain in the vertical position regardless of installation as a door or drawer. Spacers will be provided as required for flush fit with outside face of casework material. Furnish 2 keys per lock and lipped strike as required. Locks shall be capable of being keyed alike, keyed different and/or master keyed per supplied schedule and will include .095 diameter pins.

OLYMPUS SLIDING DOOR LOCK

Olympus 400SD (sliding door)

Cabinet locks: Provide **Olympus 400SD (sliding door)** lock. Locks shall be easily rekeyable without removal from cabinet via a speed release mechanism such as manufactured by Olympus Lock, Inc. All locks to include: working cylinder slides, forwardly removable cylinders for rekeying without totally disassembling lock body, built in bolt extension and strike locator. Locks will include 2 keys per lock and shall be capable of being keyed alike, keyed different and/or master keyed per supplied schedule and will include .095 diameter pins.

OLYMPUS CAM LOCKS

Olympus DCR1, DCR2, DCR3, DCR4

Cabinet locks: Provide **Olympus DCR Series (cam lock)**. Cam locks to be easily rekeyable and field reversible such as manufactured by Olympus Lock, Inc. All cylinders to include a working top slide mechanism and retainer staple to permit easy rekeying and field maintenance of lock. Cam locks will have a 1 inch face diameter and include an anti-rotation plate to trap the hex nut and prevent the lock from twisting in the hole. All cam locks will be field reversible such that one straight and one offset cam will provide all locking positions. Locks will include 2 keys per lock and shall be capable of being keyed alike, keyed different and/or master keyed per supplied schedule and will include .095 diameter pins.

OLYMPUS DEADBOLT LOCKS

Olympus R078 (drawer)

Cabinet locks: Provide **R078 (drawer)** easily rekeyable cabinet locks such as manufactured by Olympus Lock, Inc. All locks to include: working cylinder slides and forwardly removable cylinders for rekeying without totally disassembling lock body. Provide spacers as required for flush fit with outside face of casework material. Locks will include 2 keys per lock and shall be capable of being keyed alike, keyed different and/or master keyed per supplied schedule and will include .095 diameter pins.

Schlage Keyway

5 PIN - 2,000 key changes available under a master key system

6 PIN - 4,000 key changes available under a master key system

OLYMPUS DEADBOLT LOCKS

Olympus 700SC (door) - Olympus 800SC (drawer)

Cabinet locks: Provide **Olympus 700SC (door)** and **Olympus 800SC (drawer)** easily rekeyable cabinet locks such as manufactured by Olympus Lock, Inc. All locks to include: forwardly removable cylinders for rekeying without totally disassembling lock body. Furnish 2 keys per lock and bar or slotted strikes as required. Spacers to be provided as required for flush fit with outside face of casework material. Locks shall be capable of being keyed alike, keyed different and/or master keyed per supplied schedule. Locks will have passed ANSI Grade 1 cycle testing.

OLYMPUS CAM LOCK

Olympus 820SC

Cabinet locks: Provide **Olympus 820SC (cam)** locks. Locks shall be easily rekeyable such as manufactured by Olympus Lock, Inc. All locks will include easily removable cylinders for rekeying without totally disassembling lock body. Locks shall be capable of being keyed alike, keyed different and/or master keyed per supplied schedule. Furnish 2 keys per lock.

OLYMPUS LATCH LOCK (DEAD LATCH)

Olympus 850SC (drawer)

Cabinet locks: Provide **Olympus 850SC (drawer)** locks. Locks shall be easily rekeyable such as manufactured by Olympus Lock, Inc. All drawer latch locks to provide a deadlocking function, forwardly removable cylinders for rekeying without totally disassembling lock body, and spacers as required for flush fit with outside face of casework material. Furnish 2 keys per lock and strikes as required. Locks shall be capable of being keyed alike, keyed different and/or master keyed per supplied schedule.

OLYMPUS LATCH LOCK (SPRING LATCH)

Olympus L78R / L78L (door) - L78V (drawer)

Cabinet locks: Provide **Olympus L78 (door)** and **Olympus L78 (drawer)** latch locks. Locks shall be easily rekeyable such as manufactured by Olympus Lock, Inc. All latch locks to provide: forwardly removable cylinders for rekeying without totally disassembling lock body. Locks shall provide for field reversible handings such that keyway will remain in the vertical position regardless of installation as a door or a drawer. Spacers to be provided for flush fit with outside face of casework material. Furnish 2 keys per lock and strikes as required. Locks shall be capable of being keyed alike, keyed different and/or master keyed per supplied schedule.

I.C. Core Lock Bodies

for Schlage Large Format IC Cores

5 PIN - 2,000 key changes available master key system

6 PIN - 4,000 key changes available master key system

OLYMPUS DEADBOLT LOCKS

Olympus 777ICP-DR (door) - Olympus 888ICP-DW (drawer)

Cabinet locks: Provide **777ICP-DR (door)** and **888ICP-DW (drawer)** locks as manufactured by Olympus Lock, Inc. All lock bodies to accept Schlage large format interchangeable core cylinders such as supplied by Schlage Lock Company. Locks will provide dedicated door and drawer functions in order to maintain keyway verticality when installed. Deadbolt door locks to be non-handed. Locks will have passed ANSI Grade 1 cycle testing.

OLYMPUS CAM LOCK

Olympus 920LM/DM

Cabinet locks: Provide **920LM/DM (cam lock)** such as manufactured by Olympus Lock, Inc. Cam locks will be reversible between lost motion or key retaining. All locks to accept Schlage large format interchangeable core cylinders such as supplied by Schlage Lock Company. All locks will provide disassembly/reassembly features to facilitate on-the-job maintenance.

Lock Bodies

for Sargent Original Cylinders

OLYMPUS DEADBOLT LOCKS

Olympus 754LC (door) - Olympus 854LC (drawer)

Cabinet lock: Provide **Olympus 754LC (door)** and **Olympus 854LC (drawer)** easily rekeyable locks such as manufactured by Olympus Lock, Inc. All locks to include: forwardly removable cylinders for rekeying without totally disassembling lock body, and spacers as required for flush fit with outside face of casework material. All deadbolt locks to be non-handed and to provide dedicated door and drawer functions in order to maintain keyway verticality when installed. All lock bodies to accept Sargent original deadbolt cylinder #13-3457 as supplied by Sargent Manufacturing Company.

Olympus 2000 Handles

ITEM: 2000SP Series door/drawer for small pin cabinet locks

ITEM: 2000LP Series door/drawer for large pin cabinet locks

All cabinets shall use Olympus Lock 2000 handles (U.S. Patent No. 6,412,317 B1). Non-locking cabinets to use 2000 dummy handles. Handles to incorporate lock within handle body and to utilize through-bolt mounting for added security. The door and drawer locks used with handle shall be easily rekeyable such as provided by Olympus Lock, Inc. US Patent Nos. 4,899,563 and 4,920,774). Locks to have passed ANSI Grade 1 cycle testing.

Note: Place specific cabinet lock specification here. See cabinet lock specifications in this catalog.

I.C. Core Lock Bodies for Best/Arrow/Falcon/KSP Cores

6 PIN - 4,000 key changes available with master key system

7 PIN - 16,000 key changes available with master key system

OLYMPUS CAM LOCK

Olympus 720 Series

Cabinet locks: Provide **Olympus 720 Series (cam lock)** such as manufactured by Olympus Lock, Inc. Lock to accept 6 or 7 pin small format interchangeable core cylinders such as supplied by Best, Arrow, Falcon, KSP or equivalent. Cam locks to be reversible between lost motion and key retaining and include disassembly/reassembly features to facilitate on-the-job maintenance.

OLYMPUS DEADBOLT LOCK

Olympus 721DR (door) - Olympus 721DW (drawer)

Cabinet locks: Provide **Olympus 721DR (door)** and **Olympus 721DW (drawer)** such as manufactured by Olympus Lock, Inc. Locks to accept 6 or 7 pin small format interchangeable core cylinders such as supplied by Best, Arrow, Falcon, KSP or equivalent. All locks to be field reversible and to provide dedicated door and drawer functions in order to maintain keyway verticality when installed. Include strikes and spacers as required for flush fit with outside face of casework material. Locks will provide disassembly/reassembly features to facilitate on-the-job maintenance. Locks will have passed ANSI Grade 1 cycle testing.

OLYMPUS SLIDING DOOR LOCK

Olympus 722S (standard mount) - 722S-TBM (through-bolt mount)

Cabinet locks: Provide **Olympus 722 Series** sliding door lock such as manufactured by Olympus Lock, Inc. Lock to accept 6 or 7 pin small format interchangeable core cylinders such as supplied by Best, Arrow, Falcon, KSP or equivalent.

OLYMPUS DEADBOLT LOCKS

Olympus 725RD Series - Olympus 725MD Series

Cabinet locks: Provide **Olympus 725 Series** deadbolt door and drawer locks such as manufactured by Olympus Lock, Inc. Locks to accept 6 or 7 pin small format interchangeable core cylinders such as supplied by Best, Arrow, Falcon, KSP or equivalent. Locks will provide dedicated door and drawer functions in order to maintain keyway verticality when installed. Include strikes as required. Locks will have passed ANSI Grade 1 cycle testing.

OLYMPUS LATCH LOCKS

Olympus 725RL Series - Olympus 725ML Series

Cabinet locks: Provide **Olympus 725 Series** door and drawer latch locks such as manufactured by Olympus Lock, Inc. Locks to accept 6 or 7 pin small format interchangeable core cylinders such as supplied by Best, Arrow, Falcon, KSP or equivalent. Locks will provide dedicated door and drawer functions in order to maintain keyway verticality when installed. Include strikes as required. Locks will have passed ANSI Grade 1 cycle testing.

OLYMPUS MAILBOX LOCKS

Olympus 728MBL

Cabinet locks: Provide **Olympus 728MBL** mailbox locks such as manufactured by Olympus Lock, Inc. Locks to accept 6 or 7 pin small format interchangeable core cylinders such as supplied by Best, Arrow, Falcon, KSP or equivalent.

OLYMPUS SLIDING DOOR RATCHET LOCK

Olympus 729R

Cabinet locks: Provide **Olympus 729R** sliding door ratchet lock such as manufactured by Olympus Lock, Inc. Locks to accept 6 or 7 pin small format interchangeable core cylinders such as supplied by Best, Arrow, Falcon, KSP or equivalent.

OLYMPUS LATCH LOCK (DEAD LATCH)

Olympus 950IC (drawer)

Cabinet locks: Provide **Olympus 950IC (drawer)** locks. All drawer latch locks to provide a deadlocking function, strikes and spacers as required for flush fit with outside face of casework material. Locks to accept 6 or 7 pin small format interchangeable core cylinders such as supplied by Best, Arrow, Falcon, KSP or equivalent.

I.C. Core Lock Bodies for Medeco/Yale Cores

6 PIN - 4,000 key changes available with master key system

OLYMPUS DEADBOLT LOCKS

Olympus 931DR (door) - Olympus 931DW (drawer)

Cabinet lock: Provide **Olympus 931DR (door)** and **Olympus 931DW (drawer)** locks such as manufactured by Olympus Lock, Inc. All locks to accept Medeco 6-pin interchangeable core cylinder #32-0201 or Yale #1210 series 6-pin interchangeable core cylinder. Locks will include spacers as required for flush fit with outside face of casework material. Include bar or slotted strikes as required. All deadbolt locks to be non-handed and to provide dedicated door and drawer functions in order to maintain keyway verticality when installed. All locks will be manufactured with disassembly/reassembly features to facilitate on-the-job maintenance.

I.C. Core Lock Bodies for Corbin/Russwin Cores

6 PIN - 4,000 key changes available with master key system

7 PIN - 16,000 key changes available with master key system

OLYMPUS DEADBOLT LOCKS

ITEM: Olympus CR1125RD (door/drawer)

Cabinet locks: Provide **Olympus CR1125RD (door/drawer)** lock bodies as manufactured by Olympus Lock, Inc. Locks to accept 6 or 7 pin interchangeable core cylinders as supplied by Corbin/Russwin. All deadbolt locks to provide dedicated door and drawer functions in order to maintain keyway verticality when installed. All locks to be manufactured with disassembly/reassembly features to facilitate on-the-job maintenance.

OLYMPUS LATCH LOCKS

ITEM: Olympus CR1125RL (drawer)

Cabinet locks: Provide **Olympus CR1125RL (drawer)** lock bodies as manufactured by Olympus Lock, Inc. Locks to accept 6 or 7 pin interchangeable core cylinders as supplied by Corbin/Russwin. All latch locks to provide dedicated drawer function in order to maintain keyway verticality when installed. All locks to be manufactured with disassembly/reassembly features to facilitate on-the-job maintenance.

1 Rekeying the N078,R078

1. Remove set screw from barrel of lock.
2. Remove internal cylinder housing from lock body.
3. Remove brass retainer on back of cylinder plug.
4. Turn key 1/4 turn and place follower tool into back of cylinder plug.
5. Push follower through lock, removing plug for rekeying.

2 Rekeying the DCN,DCR

1. Remove cam and screw.
2. Turn lock upside down.
3. Take a sharp tool and push retainer staple out.
4. Turn key 1/4 turn and place follower tool into back of cylinder plug.
5. Push follower through lock removing plug for rekeying.

3 Rekeying the 300SD,400SD

Note: These locks need not be removed from cabinet to be rekeyed.

1. Open lock (cylinder projects forward).
2. Locate "speed release" button on left side of projected cylinder and depress with sharp tool. Cylinder will spring forward.
3. Turn key 1/4 turn and pull cylinder forward out of lock.
4. Pull up retaining pin located at rear of cylinder. Cylinder may be rekeyed in two ways: use a follow tool to remove plug, or access top slide.
5. After keying, hold bolt stable and reinsert cylinder while depressing "speed release." Lock cylinder will automatically realign itself and snap back into place.

4 Rekeying the 100,200,500,600,996,997,998,999

1. Remove set screw from barrel of lock.
2. Remove internal cylinder housing from lock body.
3. Remove brass retainer on back of cylinder plug.
4. Turn key 1/4 turn and place follower tool into back of cylinder plug.
5. Push follower through lock, removing plug for rekeying.

5 Rekeying the 700,800,L7080,754,854

1. Remove set screw from barrel of lock.
2. Turn key 1/4 turn and pull out cylinder and housing from lock body.
3. Extract cylinder and rekey same as a Schlage-style cylinder. *Olympus brass cylinder body will chamber Schlage and Weiser original cylinders along with Lori replacement plugs. Less cylinder locks may chamber other manufacturer's cylinders.*
4. Replace cylinder in housing. *For proper operation, lazy cam must be timed.*
Door timing: Driver bar must face away from direction the bolt is projecting.
Drawer timing: Driver bar must face in same direction the bolt is projecting.
5. Insert cylinder and housing by aligning set screw and hole.
6. Push until cylinder is approximately 1/8" from seated position. Use key to pick up lazy cam which will fully seat cylinder. *If key does not withdraw at end of bolt throw, cam is not timed correctly (see Door & Drawer timing above - Step 4).*

6 Rekeying the 850

1. Remove set screw from barrel of lock.
2. Remove internal cylinder housing from lock body.
3. Turn key 1/4 turn and pull out cylinder and housing from lock body.
4. Extract cylinder and rekey same as a Schlage-style cylinder. *Olympus brass cylinder body will chamber Schlage and Weiser original cylinders along with Lori replacement plugs. Less cylinder locks may chamber other manufacturer's Schlage compatible key-in-knob cylinders.*
5. Insert cylinder and housing by aligning set screw and hole.

7 Rekeying the 820

1. Remove both set screw and set screw/stop pin from back of lock.
2. Remove rear housing section from back of lock.
3. Remove internal cam driver from back of cylinder.
4. Remove cylinder from lock body.
5. Remove brass retainer on back of cylinder plug.
6. Turn key 1/4 turn and place follower tool into back of cylinder plug.
7. Push follower through lock, removing plug for rekeying.

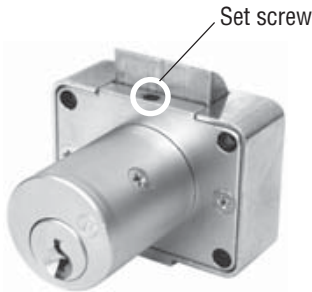
REVERSING

INSTRUCTIONS

For Olympus Cabinet Locks

1 Reversing instructions for the L7080,999,998,997,996

1. Loosen set screw from beside latch bolt.
Note: an Allen wrench is included with each lock.
2. Twist barrel to desired location.
3. Insert key to be sure keyway is in proper position and operates freely.
4. Tighten set screw.



2 Reversing instructions for the 721DR / 721DW

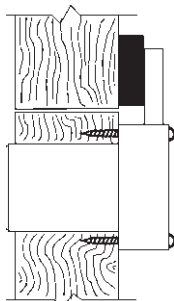
1. Remove the cylinder housing set screw and cylinder housing from the lock body. Set the lock assembly face down on a flat surface.
 2. Remove the two screws and the back cover plate from the back of the lock body. Take the bolt, cam cup, and cam disk from the lock body.
 3. Reinstall cylinder housing in desired orientation and fix in place w/ set screw.
- A. From Door to Drawer**
- 4a. Assemble the DW cam disk with the cam cup. Seat the assembly in the lock body (cam disk slot to the front). Position the knob on the back of the cam cup at 6 o'clock.
 - 5a. Install the bolt ("DRWR." side facing the front) so that the throw is beyond the bottom of the lock.
- B. From Drawer to Door**
- 4b. Assemble the DR cam disk with the cam cup. Seat the assembly in the lock body (cam disk slot to the front). Position the knob on the back of the cam cup at 3 o'clock.
 - 5b. Install the bolt ("CAB." side facing the front) so that the throw is beyond the bottom of the lock.

INSTALL

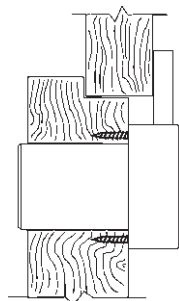
NOTES

For Olympus Cabinet Locks

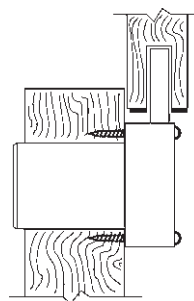
Installation Notes For: 100, 200, 500, 600, 700, 754, 800, 854, 721, 777, 888, 931



Flush

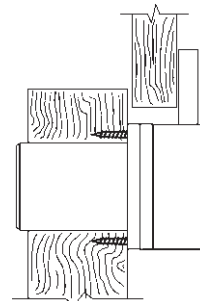


**Lipped
Overlay**



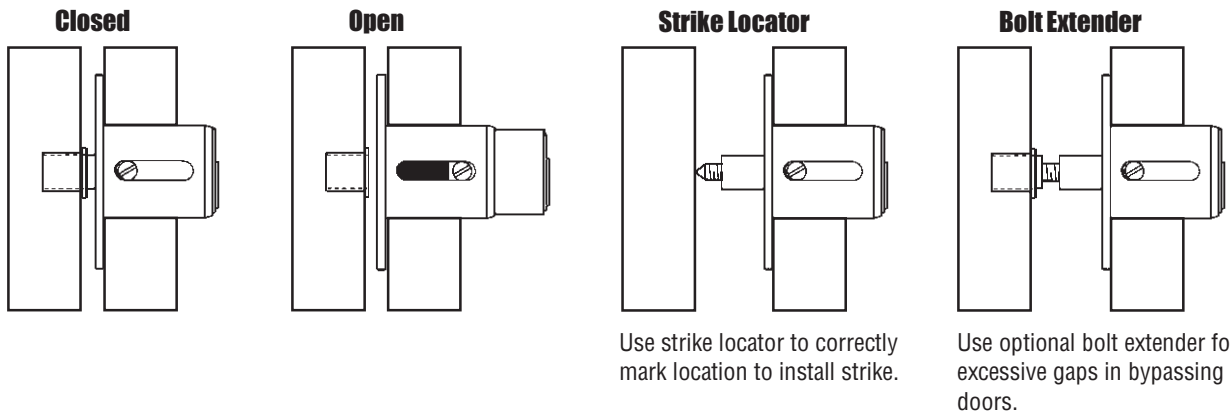
Overlay

This application is not recommended for particleboard.



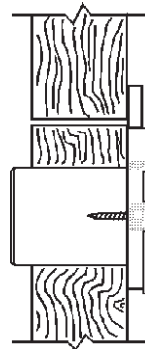
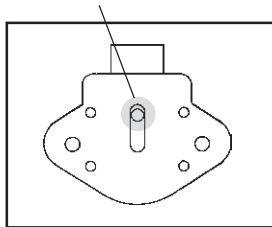
**Full
Overlay**

Installation Notes For: 300 & 400 Sliding Door Locks



Installation Notes for N078 & R078 Diamond Back Locks

Alignment pin allows for sideways or upside-down mounting.

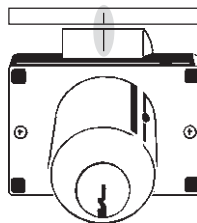


Flush Mounted Lock

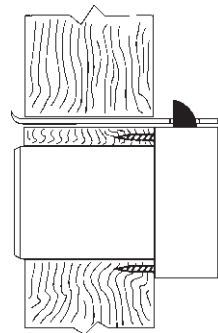
Note: Depending on your application of overlay, full overlay, or lipped overlay, you may need to use one of our optional strikes.

Installation Notes for 999/998/997/996 & L7080 Latch Locks

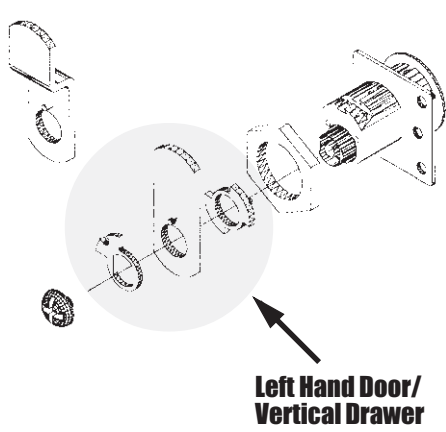
IMPORTANT note for lock installation: Be sure and position barrel/cylinder and bolt for desired handing *before* drilling hole for lock. The position of the barrel/cylinder relative to the lock body is different for each of the four available handings. It is critical to configure the lock for the correct handing before starting installation.



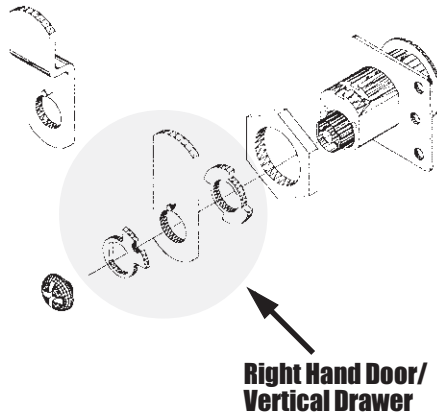
Strike installation: Line up center mark on latch with center mark on strike for correct strike placement.



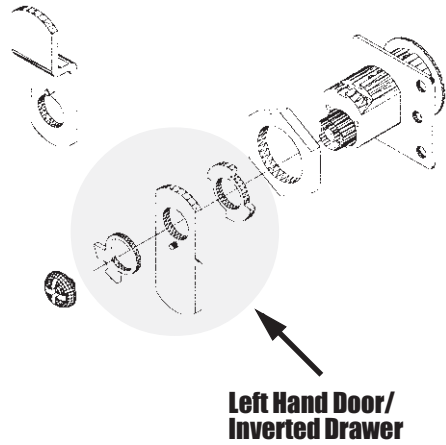
Installation Notes for DCN & DCR Cam Locks



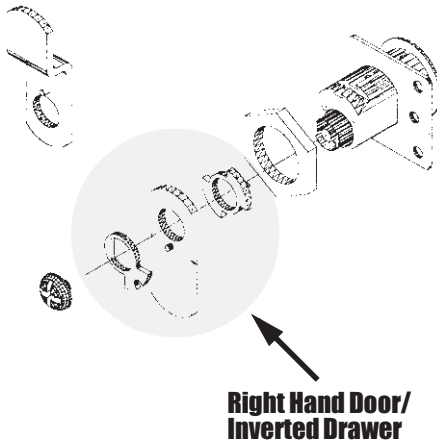
**Left Hand Door/
Vertical Drawer**



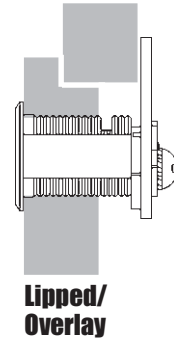
**Right Hand Door/
Vertical Drawer**



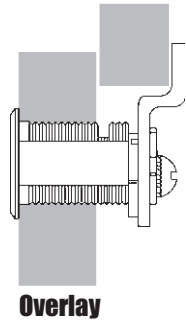
**Left Hand Door/
Inverted Drawer**



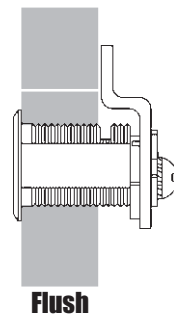
**Right Hand Door/
Inverted Drawer**



**Lipped/
Overlay**

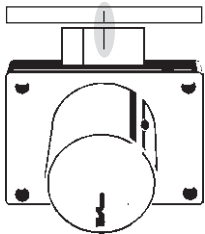


Overlay

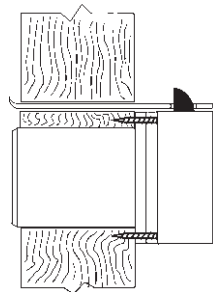


Flush

Installation Notes for 850 & 950 Deadlocking Latch Lock

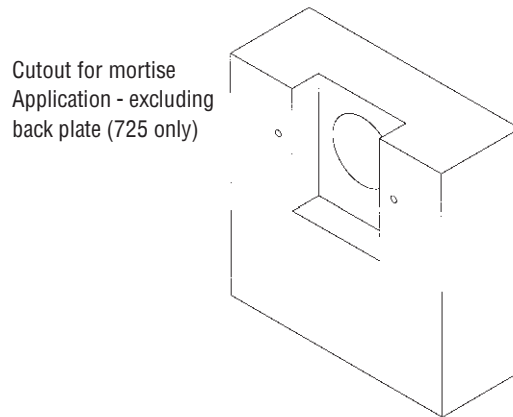
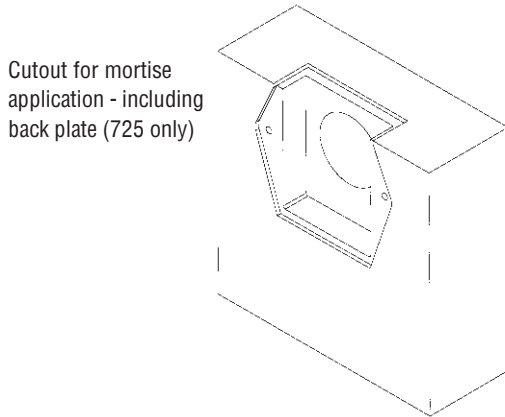
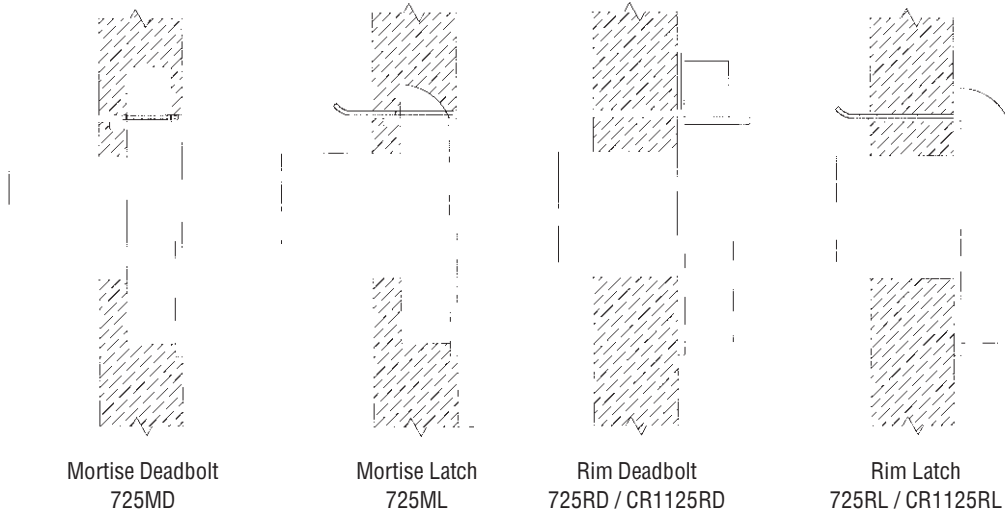


Note: Line up center mark on latch with center mark on strike for correct strike placement.

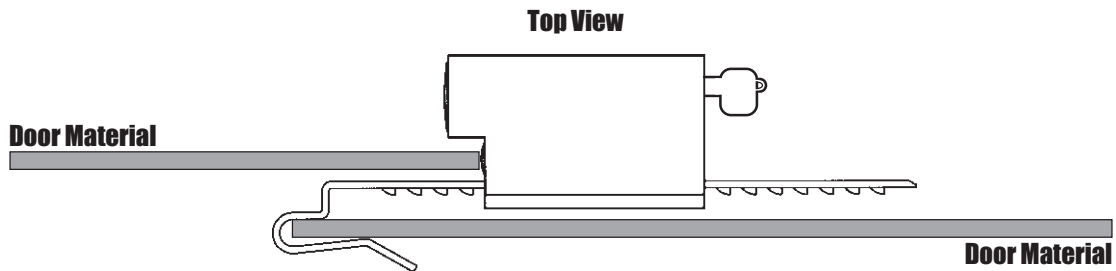


Note: Strike must be lined up so that dead lock portion of latch is depressed when drawer is closed.

Installation Notes for 725 & CR1125 Door and Drawer Locks

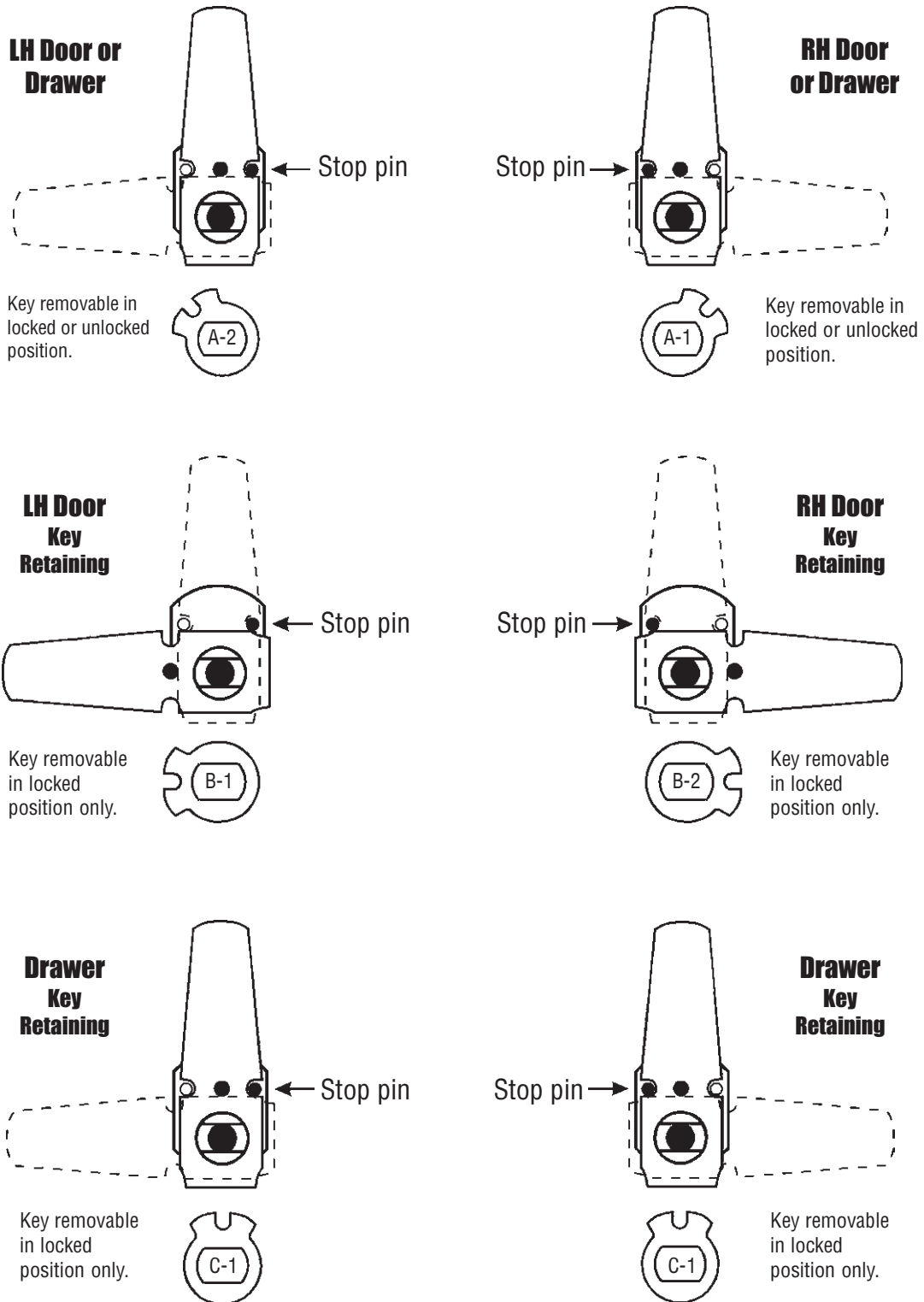


Installation Notes for 729R Sliding Door Ratchet Lock



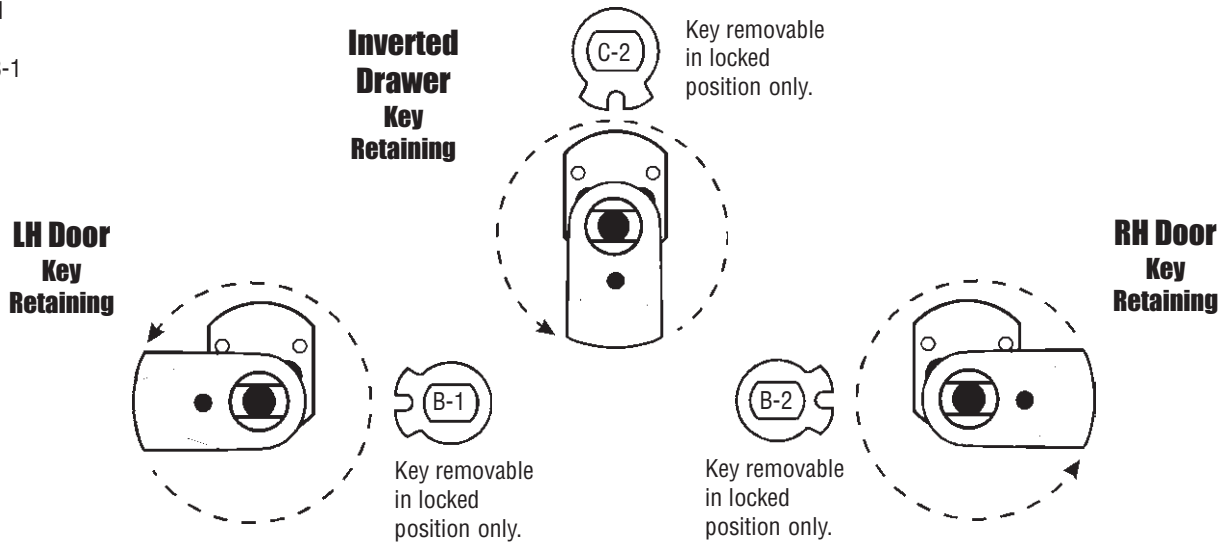
Installation Notes for 720, 820 & 920 Cam Lock

Assembled with vertical long cam 720-3-2 or extra long 3" cam 720-3-4



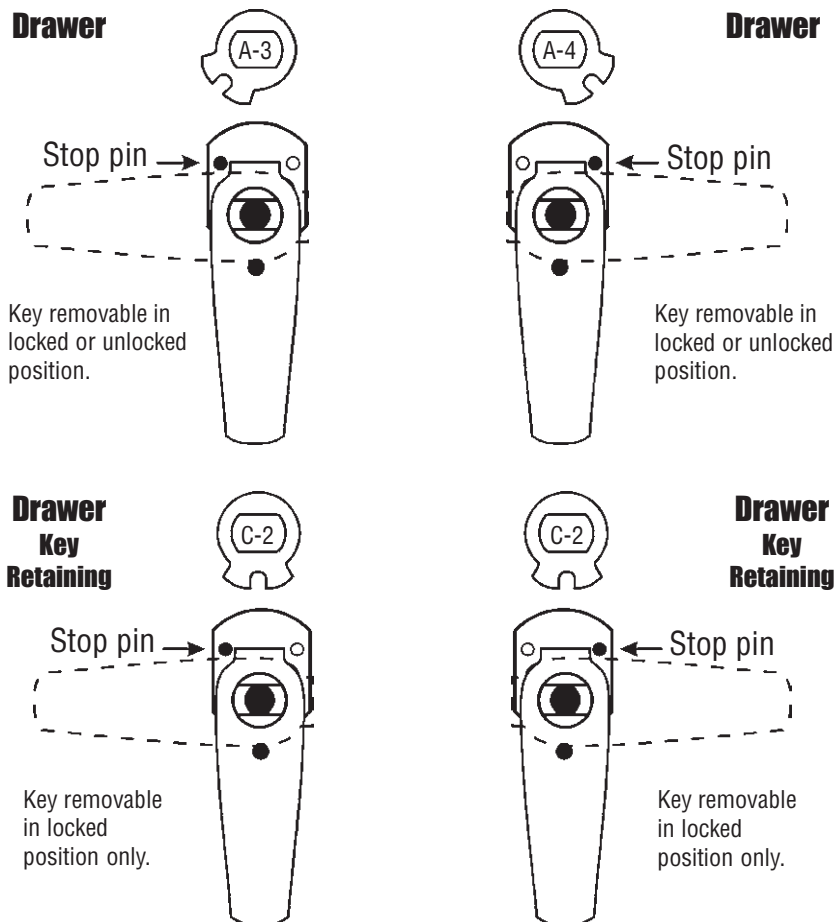
Installation Notes for 720, 820 & 920 Cam Lock

Assembled with short cam 720-3-1

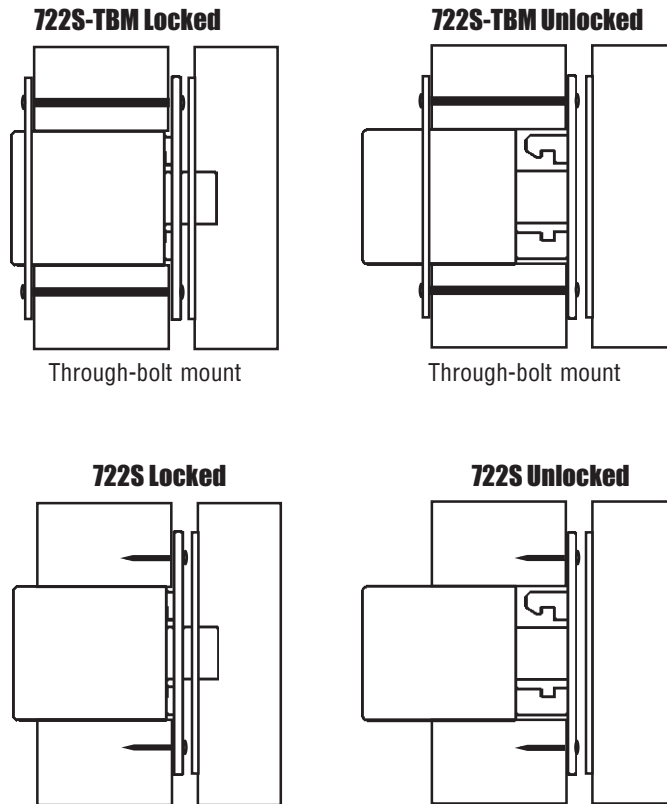


Installation Notes for 720, 820 & 920 Cam Lock

Assembled with inverted long cam 720-3-3 or 720-3-5

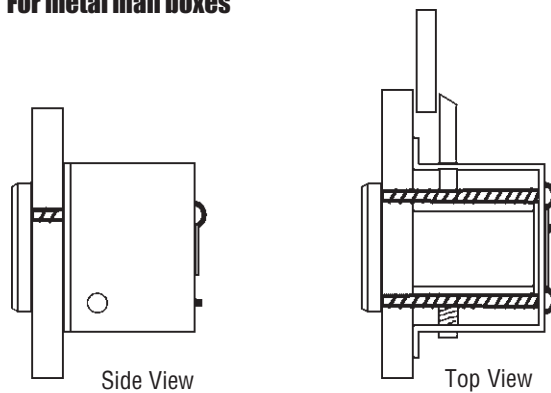


Installation Notes for 722S & 722S-TBM Sliding Door Lock



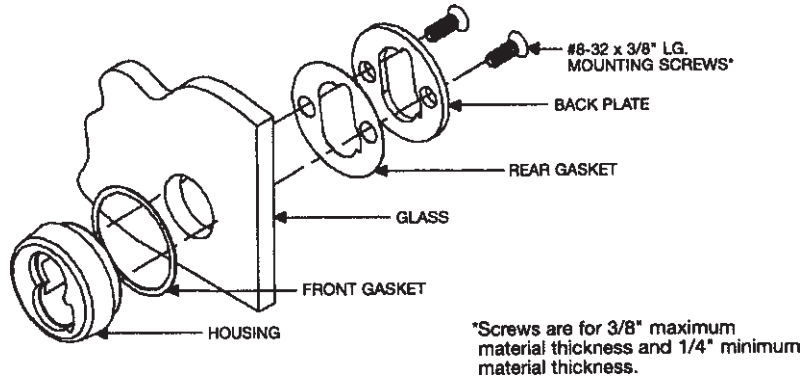
Installation Notes for 728 Mail Box Lock

For metal mail boxes



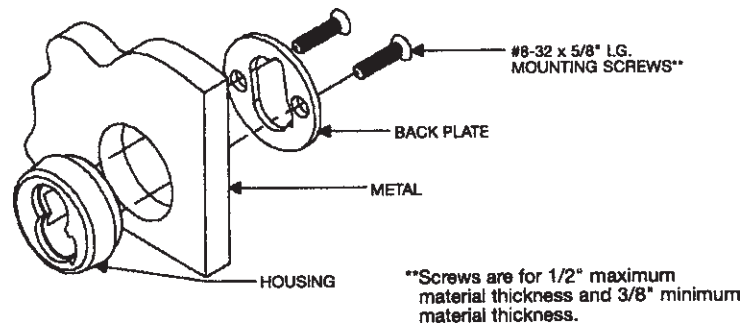
Installation Notes for 723S Sliding Door Cylinder Housing

Glass Installation



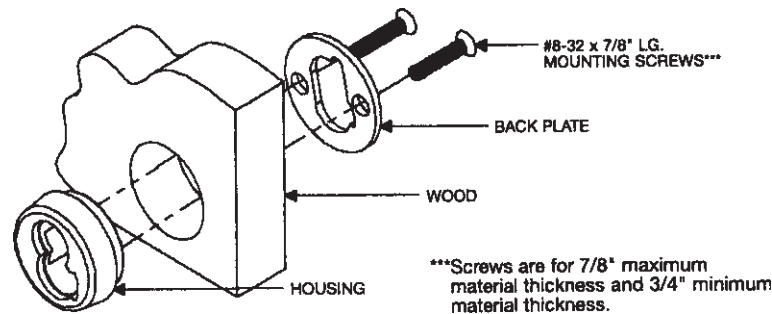
Note: Material thickness can be changed by using an "O" ring or changing the screw length.

Metal Installation



Note: Material thickness can be changed by using an "O" ring or changing the screw length.

Wood Installation



Note: Material thickness can be changed by using an "O" ring or changing the screw length.

General features:

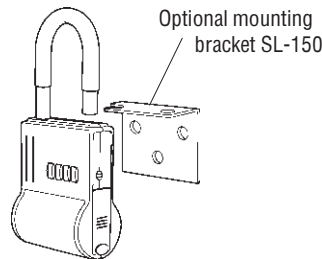
- Up to 10,000 possible combinations
- Changing the combination for the shackle takes only a few seconds
- Separate combinations open the shackle and the key storage compartment with a simple turn of the change button
- Available in 3 colors: blue, black, and brick red
- Durable, all-metal construction (no plastic buttons or dials)
- Easy to use
- Mount anywhere with bracket accessory
- Opens the first time every time
- Hardened steel shackle
- Rust proof, solid brass internal working parts with chrome plated dials
- 1 year warranty

NEW! ShurLok Cable SL-160

Allows ShurLok and all other competing lock boxes to be secured in a larger variety of locations.

NEW! ShurLok LeverGrip™ SL-170

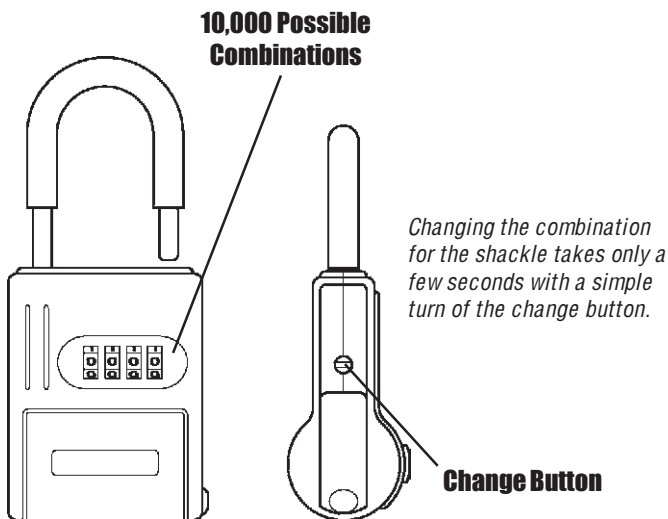
Fits inside the shackle of the ShurLok lockbox and allows the ShurLok unit to be secured on a lever handle.



| Part # | Description | Packaged | Box/Case Qty. |
|---------|----------------------------|----------------|----------------|
| SL-100W | Lock Box - Blue | Blister Packed | 12/bx, 48/case |
| SL-200W | Lock Box - Black | Blister Packed | 12/bx, 48/case |
| SL-300W | Lock Box - Brick Red | Blister Packed | 12/bx, 48/case |
| SL-150 | Accessory mounting bracket | Polybagged | n/a |
| SL-160 | Cable | Polybagged | n/a |
| SL-170 | ShurLok LeverGrip | Boxed | 13/bx |

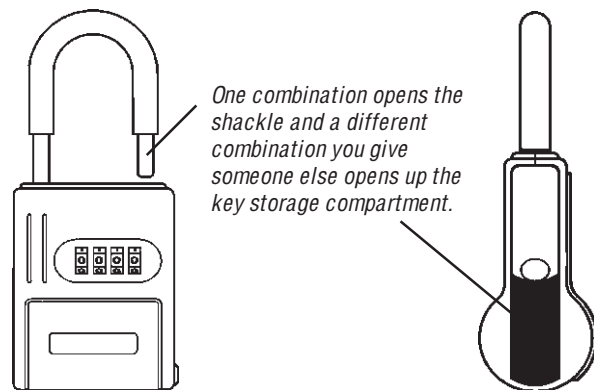
Set your own combination

The combination can be changed in seconds without special tools or disassembly. Changing the shackle combination also automatically changes the combination for the sliding key storage door.



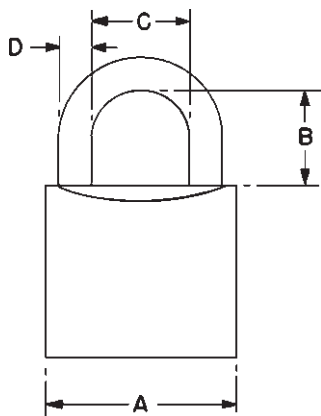
Accessing the ShurLok

After you set your own combination, you can then hang the *ShurLok* on a door knob, fence, etc. or any surface with the mounting bracket accessory. Give the key storage combination to the individual you want to have access to the key. You can reset the combination at any time.



Detailed Specifications

MOUNTAIN SERIES



| Part # | A | Keying | B | C | D | Box Qty | Weight |
|----------|--------|-------------------------|--------|------|--------|---------|----------|
| BP075 | 3/4" | KD or KA #30 | 1/2" | 1/2" | 5/32" | 10 | 1.1 lbs. |
| BP100 | 1" | KD or KA #40 & #45 | 1/2" | 1/2" | 5/32" | 10 | 1.1 lbs. |
| BP125 | 1-1/4" | KD or KA #51 | 5/8" | 5/8" | 7/32" | 10 | 2.1 lbs. |
| BP125-LS | 1-1/4" | KD or KA #51 & #59 | 2-1/8" | 5/8" | 7/32" | 10 | 3.1 lbs. |
| BP150 | 1-1/2" | KD or KA #60, #61 & #65 | 7/8" | 3/4" | 1/4" | 10 | 3.9 lbs. |
| BP150-LS | 1-1/2" | KD or KA #60 & #65 | 2-1/2" | 3/4" | 1/4" | 10 | 4.7 lbs. |
| BP175 | 1-3/4" | KD or KA #70 & #75 | 1" | 1" | 9/32" | 5 | 2.9 lbs. |
| BP200 | 2" | KD or KA #80 | 1-1/8" | 1" | 11/32" | 5 | 3.1 lbs. |

Note: All fractional measurements are approximate.

OLYMPUS SERIES

- A = Body size
- B = Distance between top of lock and inside shackle
- C = Width of inside shackle
- D = Shackle diameter

| Part # | A | Keying | B | C | D | Box Qty | Weight |
|---------|--------|--------------------------------------|--------|--------|--------|---------|----------|
| B075 | 3/4" | KD or KA #5 & #25 | 3/8" | 3/8" | 1/8" | 12 | 1.0 lbs. |
| B100 | 1" | KD or KA #10 | 1/2" | 1/2" | 5/32" | 6 | 1.0 lbs. |
| B125 | 1-1/4" | KD or KA #1 & #3 | 5/8" | 5/8" | 7/32" | 6 | 1.5 lbs. |
| B125-LS | 1-1/4" | KD or KA #1 | 2-1/2" | 5/8" | 7/32" | 6 | 1.7 lbs. |
| B150 | 1-1/2" | KD or KA #2, #4, #9 #11 & #12 | 3/4" | 3/4" | 1/4" | 6 | 2.2 lbs. |
| B150-LS | 1-1/2" | KD or KA #2 & #4 | 2-3/4" | 3/4" | 1/4" | 6 | 2.7 lbs. |
| B175 | 1-3/4" | KD or KA #14 | 1-1/8" | 7/8" | 5/16" | 6 | 3.0 lbs. |
| B200 | 2" | KD or KA #14 & #15 | 1" | 1" | 11/32" | 6 | 4.2 lbs. |
| B250 | 2-1/2" | KD or KA #6, #7 & #8 (Boxed only) | 1-1/4" | 1-1/4" | 7/16" | 6 | 7.5 lbs. |

Note: All fractional measurements are approximate.

PADLOCKS

Mountain Series

Blister Packed Padlocks



General features:

- Pin tumbler
- Solid brass body
- Hardened steel shackle
- Brass internal parts
- Heel & toe locking
- Keyed different or keyed alike
- All weather, indoor/outdoor
- Includes 3 keys per lock

Mountain Series Keyblanks

| Part # | Fits Item | Packaged |
|--------|-------------|----------|
| KB220 | BP075 | 50/box |
| KB225 | BP100 | 50/box |
| KB235 | BP125 | 50/box |
| KB240 | BP150/BP175 | 50/box |
| KB250 | BP200 | 50/box |

| Part # | Width | Keying | Box Qty. | Case Qty. |
|----------|----------|-----------------|----------|-----------|
| BP075 | ¾" 20mm | KD, KA 30 | 10 | 200 |
| BP100 | 1" 25mm | KD, KA 40,45 | 10 | 200 |
| BP125 | 1¼" 30mm | KD, KA 51 | 10 | 100 |
| BP125LS* | 1¼" 30mm | KD, KA 51,59 | 10 | 50 |
| BP150 | 1½" 40mm | KD, KA 60,61,65 | 10 | 100 |
| BP150LS* | 1½" 40mm | KD, KA 60,65 | 10 | 50 |
| BP175 | 1¾" 45mm | KD, KA 70,75 | 5 | 75 |
| BP200 | 2" 50mm | KD, KA 80 | 5 | 75 |

*LS = Long Shackle



Sold in full box quantities only

PADLOCKS

Olympus Series

Box Packed Padlocks



General features:

- Pin tumbler
- Solid brass body
- Chrome plate,- hardened steel shackle
- Brass internal parts
- Heel & toe locking
- Keyed different or keyed alike
- All weather, indoor/outdoor
- Includes 3 keys per lock

Olympus Series Keyblanks

| Part # | Fits Item | Packaged |
|-----------|-----------|----------|
| 361A/361B | B075 | 100/bag |
| 362A/362B | B100 | 100/bag |
| 363A/363B | B125 | 100/bag |
| 364A/364B | B150 | 100/bag |
| 365A/365B | B200 | 100/bag |
| 366A/366B | B250 | 100/bag |

| Part # | Width | Keying | Box Qty. | Case Qty. |
|---------|-----------|------------------------|----------|-----------|
| B075 | ¾" 20mm | KD, KA 5 | 12 | 600 |
| B100 | 1" 25mm | KD, KA 10 | 6 | 360 |
| B125 | 1¼" 30mm | KD, KA 1, 3 | 6 | 240 |
| B125LS* | 1¼" 30mm | KD, KA 1 | 6 | 120 |
| B150 | 1½" 40mm | KD, KA 2, 4, 9, 11, 12 | 6 | 120 |
| B150LS* | 1½" 40mm | KD, KA 2, 4 | 6 | 120 |
| B200 | 2" 50mm | KD, KA 14, 15 | 6 | 60 |
| B250 | 2 ½" 63mm | KD, KA 6, 7, 8 | 6 | 48 |

*LS = Long Shackle



Sold in full box quantities only

PADLOCKS

REKEYABLE BRASS

Schlage & Weiser Keyway Padlocks

General features:

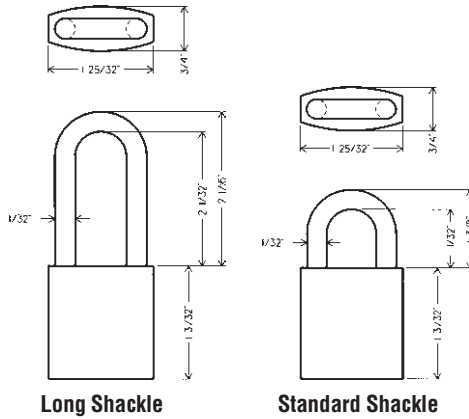
- Double locking (heel & toe)
- Body width: 1-3/4" (45mm)
- Hardened Steel Shackle Retaining Pin
- 6 pin capability
- "O" bitted standard
- Includes 2 key blanks per lock
- Packed 6 per box, 60 per case
- Extruded Brass

Regular shackle:

- Shackle opening: 1"
- Packed 6 per box
- Box weight 4.68 lbs.

Long shackle:

- Shackle opening: 2-1/4"
- Packed 6 per box
- Box weight 5.22 lbs.



| Part # | Shackle | Keyway |
|----------------------------------|-----------------|--|
| RB175SC-COMP RB175SC-COMP-LS | Regular Long | Schlage Composite Keyway Schlage Composite Keyway |
| RB175WSR-D-NL RB175WSR-D-NLLS | Regular Long | Weiser keyway Weiser keyway |

PADLOCKS

CORBIN/RUSSWIN IC CORE

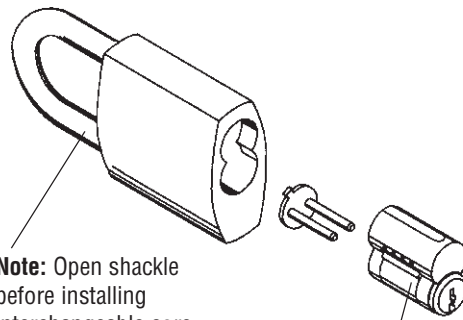
Brass Padlock

General features:

- Extruded brass
- Body size 2" tall by 2" wide (50mm)
- Stainless steel shackle
- Available standard or long shackle
- Ball bearing locking heel and toe
- Chambers Corbin/Russwin 6-pin I.C. cylinders
- BHMA 606 Satin Brass (USA)
- Core not included
- Packed each
- Weight 0.82 lbs. each

Shackle opening:

- Regular shackle opening: 7/8" (25mm)
- Long shackle opening: 2-5/8" (65mm)



Note: Open shackle before installing interchangeable core.

Corbin Russwin I.C. Core (sold separately)



| Part # | Shackle | Keyway |
|-----------------------------|-----------------|--|
| CRB200-IC6 CRB200-IC6-LS | Regular Long | Accepts Corbin/Russwin I.C. Core Accepts Corbin/Russwin I.C. Core |

**Hours of operation:
7:00 am - 4:00 pm Pacific Time
Monday - Friday**

OLYMPUS[®] LOCK, INC.

The cabinet lock innovators.



**Olympus Lock, Inc.
18424 Highway 99
Lynnwood, Washington 98037
206-362-3290 • 800-525-0954
Fax 206-362-3569**

**Website:
www.olympus-lock.com
Email:
info@olympus-lock.com**

Copyright © 1989 - 2006 Olympus Lock, Inc. all rights reserved. Olympus is a registered trademark of the Frank J. Martin Company. Other products and companies referred to herein are trademarks or registered trademarks of their respective companies or mark holders. Information in this document is subject to change without notice. 07/06