

National Guard Products

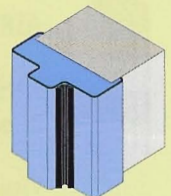
Gasketing Products



- Category G-Edge Seals
- Category H-Smoke and Draft Control Seals
- Sound Seals
- Self Adhesive Seals
- Intumescent
- Perimeter Seals
 - Vinyl
 - Polyurethane
 - Silicone
 - Neoprene
 - Brush
 - Pile
 - Interlocking
 - Magnetic
 - Adjustable
 - Concealed Fastener
 - W/P.A. Closers
- Door Bottoms
 - Surface
 - Mortise
 - Special Apps
- Door Shoes
- Door Sweeps
- Astragals
 - Mortise
 - Surface

Metal Edges

Finger Guard



Positively, we
have everything

Finish Information

Base Metal	Finishes Available: All finishes are not available on all products. Refer to part numbers for availability.				
Aluminum	Mill (AE) ANSI/BHMA 719 (No Suffix)	Clear Anodized ANSI/BHMA 628 NGP Suffix 'A'	Gold Anodized ANSI/BHMA 688 NGP Suffix 'B'	Dark Bronze ANSI/BHMA 710 NGP Suffix 'DKB'	Bright Polished ANSI/BHMA 717 NGP Suffix 'POL'
Architectural Bronze	Dull Brass ANSI/BHMA 720 NGP Suffix 'BR'	Polished Brass ANSI/BHMA 721 NGP Suffix 'BR-POL'	Dark Bronze ANSI/BHMA 722 NGP Suffix 'BR-DKB'		
Stainless Steel	Mill Finish Type 304 #2B NGP Suffix 'SS'	Polished Stainless ANSI/BHMA 629 NGP Suffix 'SS-POL'	Brushed Stainless Type 304 #4 ANSI/BHMA 630 NGP Suffix 'SS-Brushed'		
POWDERCOAT FINISHES NOW AVAILABLE - SEE PAGE L2 FOR DETAILS					

All aluminum extrusions are of alloy 6063 hardness T-5.
All bronze extrusions are a brass alloy CDA 385 known as "Extruded Architectural Bronze" in the industry.
All rolled bronze weatherstrip is furnished of alloys 85-15 or 90-10 commercial bronze hardness H-4.

Symbols/Legend



UL10B CLASSIFIED, complies with NFPA 252 for application to Hollow Metal fire doors rated up to 3 Hrs., and Wood fire doors rated up to 1 1/2 hrs. (Rating on some items vary and are noted.)



POSITIVE PRESSURE UL10C CLASSIFIED, Category 'J' listed. Complies with **IBC, UBC7-2 (1997)** for application to Positive Pressure Hollow Metal fire doors rated up to 3 Hrs., and Wood Fire doors rated up to 1-1/2 Hrs. (Ratings on some items vary and are noted.)



EDGE SEALING SYSTEM, Category 'G' listed. **REQUIRED** for Category B listed wood fire doors to meet positive pressure requirements complying with **IBC, UBC7-2 (1997) Part 1**. See individual products for maximum door size and ratings. and/or



SMOKE & DRAFT CONTROL GASKETING, Category 'H' listed, complies with **IBC, UBC7-2 (1997) Part 2**, UL1784 (2001), NFPA 105 (1999) for use on all 'S' labeled Positive Pressure doors. and/or



ACOUSTICAL TESTED to ASTM E90-97 and ASTM E413-94, by Riverbank Acoustical Laboratories in Geneva, IL. Refer to chart on page G5 for test result data.



AIR INFILTRATION TESTED to ASTM E283 and S.D.I. 116.



ANSI/BHMA CERTIFIED. Certified gasketing complies with A156.22-2003, and is listed in the BHMA Directory of Certified Products.

View our product listings online at www.ul.com/database/, www.etlsemko.com/whimark.html and www.ngp.com



5V	G35	132N	G17	223	G30	673	G37
6V	G35	133N	G17	224N	G30	674	G37
12V	G35	134N	G17	225	G29	675	G22, 37, 41
13V	G35	134S	G16	229SS	G30	676	G22
14R	G32, 33	135N	G17	229BR	G30	678	G37
15N	G33	136N	G33, 34	254P	G33	679	G37
16A	G32	136P	G44	284Q	G14	680	G28
16SS	G24	137N	G17, 39	303N	G27	682	G29
17	G32	137S	G16	304N	G27	683	G29
17BR	G25	139A	G43	305N	G27	700	G21
18V	G35	139BR	G25	310	G28	700E	G20
19V	G35	139SP	G43	312V	G34	701E	G20
26NA	G33	139SS	G24, 43	313V	G34	701P	G21
35	G34	140P	G39	318V	G34	702V	G21
35E	G34	140M	G41	319V	G34	702E	G20
36	G34	141	G27	319EV	G34	703V	G21
36E	G34	142P	G44	320	G30	703E	G20
43CB	G26	143P	G44	335	G28	704V	G21
43SB	G26	144P	G44	339	G10	704E	G20
44SB	G26	145P	G32	361	G13	705V	G21
45SB	G26	146	G42	362	G13	705E	G20
50SB	G26	147N	G44	363	G13	706E	G20
95	G34	148N	G42	420N	G28	780V	G28
96V	G36	149M	G41	421N	G30	1000R	G45
97V	G36, 39	150U	G15	422N	G29	11015	G37
98V	G36	151	G44	423	G29	1025V	G36
99	G35	152V	G15	520	G28	1038N	G27
100V	G36	152S	G16	522N	G29	1392SP	G43
101V	G37	154P	G33	541	G46	2014	G37
102V	G36	155V	G15	543	G46	2248	G45
103N	G27	155S	G16	545	G46	2252	G45
104N	G27	156S	G16	550	G46	2525	G11, 13
105N	G27	156V	G15	551	G46	3038N	G27
106N	G27	157M	G26	552	G46	4440S	G31
107	G27	158	G42	553	G46	4441	G31
108N	G17	159M	G26	560	G46	4447S	G31
109N	G42	160S	G16	561	G46	4448	G31
109BR	G25	160U	G15	562	G46	5020	G11, 13
109SS	G24	160V	G15	563	G46	5021	G13
110N	G17	161N	G17	570	G46	5030	G14
110S	G16	161P	G14	572	G46	5050	G8, 11, 13
112N	G32, 33	161S	G16	574	G46	5060	G13
113N	G33	161U	G15	600	G18, 38, 40	9000	G19, 23
114	G42	161V	G15	601	G18, 38	9004	G23
115N	G39	162S	G16	602	G18, 38	9001	G16, 23
116N	G33, 44	162V	G15	603	G18	9002	G16, 23
117N	G37	164V	G15	A605	G18, 38, 40	9115	G23, 40
118N	G33	165N	G17	B606	G18, 38, 40	9125	G23, 40
119N	G33	165S	G16	C607	G18, 38	9440	G10
120	G26	169M	G41	D608	G18, 38	9441	G10
120N	G17	170	G22	E609	G18, 38	9450	G8
120BR	G25	172	G22	G610	G18, 38	9500	G11, 12
120S	G16	176	G42	G611	G18	9550	G9
120SS	G24	178S	G42	H612	G18, 38	9600	G19, 23, 38, 40
121	G26, 39	179V	G42	G614	G18	9605	G19, 23, 38, 40
122N	G17	PF180	G14	I-615	G18	9700	G21
122NBR	G25	PF183	G14	I-616	G18	9700E	G20
122SS	G24	184Q	G14	A617	G18	9706E	G20
123N	G26, 39	185P	G14	C619	G19	9800	G11, 12
124	G26	188V	G15	D620	G19	9850	G9
125N	G39	189M	G41	E621	G19	9890	G11, 12
125BR	G25	190V	G15	G622	G19	12135N	G39
125SS	G24	191V	G22	H623	G19	81369N	G32
127S	G16	197N	G37	I-624	G19	81369NBR	G25
127N	G17	198N	G36	A625	G19		
127SSS	G24	199N	G36	F625	G19		
129N	G17	200	G36	A626	G19		
129U	G15	200BR	G25	C627	G18, 38		
129BR	G25	200SS	G24	OV633	G18, 38		
129SS	G24	201N	G36	OV634	G18, 38		
130N	G17	202N	G37	A635	G44		
130BR	G25	203N	G37	D648	G19		
130S	G16	220	G28	A650	G32		
130SS	G24	221SS	G30	A651	G32		
131N	G17	221BR	G30	670	G22		
		222	G28	672	G22, 37, 41		



ANSI/BHMA



The following chart interprets ANSI/BHMA numbers allowing selection of proper type of products. For products that meet ANSI/BHMA Standards, look for the BHMA certified logo next to the product in our catalog. For a complete listing refer to the BHMA Directory of Certified Product, available online at www.buildershardware.com

Gasketing: ANSI/BHMA A156.22 (2003)

R Product Section	1 Retainer Material	2 Gasketing Material	3 Product Type	4 Material Application	5 Gasketing Rating
Assigned to organizational section J for architectural door trim and designates GASKETING.	<ul style="list-style-type: none"> 1. Brass or Bronze 3. Aluminum 5. Stainless Steel 0. Optional material or none used 	<ul style="list-style-type: none"> A- Brush B- Neoprene, solid C- Neoprene, closed cell D- Vinyl E- Silicone Rubber F- Pile G- Thermoplastic Elastomer (TPE) H- Thermoplastic Urethane (TPU) J- Thermoplastic Rubber K- Spring Metal L- Magnetic M- Felt N- Rubber Fabric P- Intumescent Q- Intumescent/Brush R- Intumescent /Neoprene, solid S- Intumescent /Neoprene, closed cell T- Intumescent/ Vinyl U- Intumescent / Silicone Rubber V- Intumescent/ Pile W- Intumescent / Thermoplastic Elastomer (TPE) X- Intumescent / Thermoplastic Urethane (TPU) Y- Optional material or none used Z - Intumescent / Thermoplastic Rubber 	<ul style="list-style-type: none"> 1. Head & Jamb 2. Head & Jamb, Adjustable 3. Automatic Door Bottom 4. Door Sweep or Shoe 5. Door Sweep or Shoe with Drip Cap 6. Astragal Overlapping 7. Astragal Split or Compensating 8. Astragal Adjustable 9. Rain Drip without gasket 0. Other 	<ul style="list-style-type: none"> 1. Door Edge 2. Door Edge, Mortise 3. Door Face 4. Door Face, Semi-Mortise 5. Frame Rabbet (surface or mortise) 6. Frame Soffit (H.M.), Frame Stop (WD) 7. Frame Face 8. Kerf 9. Stop (H.M.), Stop Face (WD) 0. Other 	<ul style="list-style-type: none"> 4. Smoke Rated Gaskets 5. Air Leakage Rated Gaskets 6. Items not required to be smoke or air leakage rated. Intended for Product types 3, 4, 5, 9 and 0 in the fourth character designation.

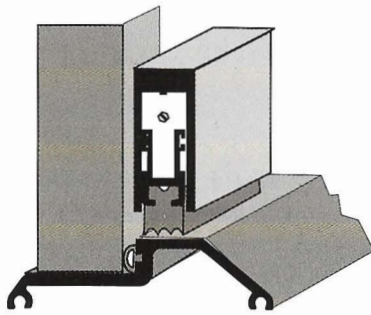
SOUND TRANSMISSION CLASS (STC) RATED DOOR ASSEMBLIES

STC Rating on Door	STC Rating Door with Gasket	Perimeter Seals	Automatic Door Bottom	Threshold
30	30	103N, 120N, 133N, 134N, 137N, 700N	420N	897N
30	30	130S	225S	896S
30	30	107S	220S	950S
36	33	5050	335N	513
40	37	103N	420N	897N
40	38	130S	225S	896S
43	38	*(2) 5050	335N	896S
40	39	120N, 133N, 137N, 700N	420N	897N
40	39	107S	220S	950S
44	39	1038N	422N	896S
45	39	5050	335N	896S
50, 60	39	103N	420N	897N
40	40	134N	420N	897N
43	40	*(2) 5050	422N	896S
44	40	131N	335N	896S
50	41	120N, 133N, 137N, 700N	420N	897N
45	42	*(2) 5050	335N	896S
50	42	130S	225S	896S
47	43	*(2) 5050	422N	896S
50	43	134N	420N	897N
50	43	107S	220S	950S
51	43	159M	420N	897N
48	44	*(2) 5050	422N	896S
52	44	107N, 131N, 1038N	420N	897N
60	44	134N	420N	897N
60	44	130S	225S	896S
60	46	107S	220S	950S

TESTED TO ASTM E413-94 and ASTM E90-97.

*Indicates 2 rows of 5050 installed as follows:

Acoustical Gasketing



897N x 420N

The chart at right indicates the STC rating of specially made sound doors using various applications of gasketing. The first column is the rating of the door tested in an inoperable condition which determines the sound transmission through the door. The second column is the rating of the door with the gasketing which determines the sound transmission through the door and around the gasketing.

STANDARD DOORS without special sound core - solid core wood doors test to an STC rating of approx. 30. Honey comb core hollow metal doors test to an STC rating of approx. 35. To most effectively reduce sound transmission around the perimeter we recommend the following be used:

- 107S Perimeter Seal
- 700S Seal at head if a parallel arm closer is used
- 220S Automatic Door Bottom
- Any Threshold (To allow proper sealing of Automatic Door Bottom)

E-mail: ngpinfo@ngpinc.com

www.ngp.com



Properties of Gasketing Material

Neoprene - very good abrasion resistance, tensile strength, and memory. Temperature limit range 30° to 210°F. BHMA certified

Silicone - Excellent flexibility and memory. Not affected by UV, most chemical or cleaning agents. Recommended for areas using FM200 or Halon Fire Suppression Systems. Temperature limit range 100° to 525°F. BHMA certified.

Vinyl - economy grade material. Poor weathering resistance, hardens and cracks from aging and exposure to UV or temperature extremes. Temperature limit range 0° F to 140° F

Nylon Brush - excellent strength, durability and memory. Temperature limit range - 70° to 130° F BHMA certified.

Adhesive - on Self-Adhesive Gasketing will bond to clean surfaces with surface temperature between 50° to 120° F by applying 15 lbs. per sq. inch of pressure without stretching material. Shelf life of adhesive prior to installation is one year.

Darkroom Doors

NGP recommends the following:

Heavy duty adjustable perimeter seal (i.e.: 107S, 303N)

*Mortise heavy duty automatic door bottom (i.e.: 422N, 320S)

Threshold (any type) to allow proper sealing of automatic door bottom.

NGP Darkroom Door Louver L-75

*If a surface automatic door bottom must be used; be sure to instruct installer to mount it first and then to mount perimeter seal to top of automatic door bottom only.

Smoke and Draft Control Gasketing - Category 'H' Listed

for use on all 'S' Labeled Doors



Table with 7 columns of gasketing part numbers: 2525, 5050, 5020, 5060, 103N, 104N, 106N, 107N, 107S, 108N, 110N, 110S, 120N, 120S, 120SBR, 120NSS, 122N, 122NBR, 122NSS, 127N, 127S, 127NSS, 127SSS, 129N, 129NBR, 129NSS, 130N, 130S, 130NBR, 130SBR, 130NSS, 130SSS, 131N, 132N, 133N, 134N, 134S, 135N, 137N, 137S, 138N, 141N, 152S, 155S, 156S, 160S, 161N, 161S, 162S, 165N, 165S, 170N, 170S, 172N, 172S, 303N, 304N, 600, 602, A605, A617, A625, A626, B606, 670, 672, 675, 676, 700N, 700EN, 700S, 700ES, 706E, 1038N, 3038N, 9000, 9001, 9002, 9004, 9600, 9605, 9700, 9700E, 9706E

Astragal Seals for Meeting edge of pairs

Table with 3 columns of astragal seal part numbers: 115N, 125N, 137N, 137S, 9115, 9125, 9600, 9605

Any UL10C classified threshold, automatic door bottom, door sweep or door shoe may be installed (although, not required) on an 'S' label door without affecting the label.

For updated listing information refer to our testing lab websites at www.ul.com/database/ and www.etlsemko.com/whimark.html or the NGP website at www.ngp.com.

Positive Pressure Product Selection Guide

Combination Edge Sealing System/Smoke & Draft Control Gasketing



Category 'G' and 'H' Listed

Required for Category 'B' wood fire doors to meet Positive Pressure and 'S' Label requirements

Perimeter Seal Applications

- * 20 minute - 5050, 9440, 9450, 9550, 9850, 9800x5020, 9500x5020, 9500x2525
- * 45, 60 minute - 9440, 9450, 9550, 9850, 9800x5020, 9800x5050, 9500x5020, 9500x2525
- * 90 minute - 9440, 9450, 9550, 9850, 9500x5020, 9500x2525, 9890x5020, 9890x5050

Meeting Edge of Pairs

- * 20 minute - 9550, 9800 or 9500 x choice of 115N, 125N, 9115, 9125, 9600, 9605
- * 45, 60, 90 minute - 9550, 9500 or 9890 x choice of 115N, 125N, 9115, 9125, 9600, 9605

Edge Sealing Systems - Category 'G' Listed

Required for Category 'B' wood fire doors to meet Positive Pressure



Perimeter Seal Applications

- * 20, 45 or 60 minute - 9800, 9500
- * 90 minute - 9500, 9890

Meeting Edge of Pairs

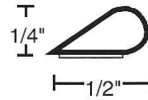
- * 20 minute - 9800 or 9500
- * 45, 60, 90 minute - 9500 or 9890

Combination Edge Sealing System/Smoke and Draft Control Gasketing - Category 'G' and 'H' Listed:

Required for Category B wood fire doors to meet positive pressure and 'S' label requirements

5050 Self-Adhesive Silicone Bulb Fire and Smoke Seal

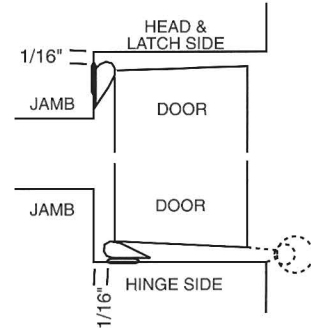
20 minute rated wood doors with steel or wood fire rated door frames up to:
single swing 4'0" x 8'0", perimeter
standard or double egress pairs 8'0" x 8'0", perimeter
use 9550 at the meeting edge of pairs



silicone

- 5050B Brown
- 5050C Charcoal
- 5050W White
- 5050T Tan
- 5050CL Clear

Available in 17', 20', 21', 25', and 300' rolls

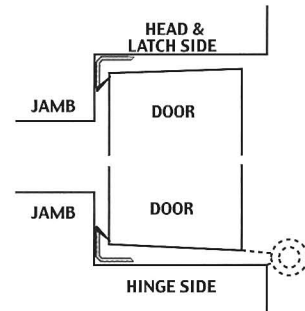
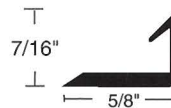


9450 Intumescent Single Batwing Self-Adhesive Fire and Smoke Seal

20, 45, 60, 90 Minute rated wood doors with steel or wood fire-rated door frames up to:
single swing 4'0" x 9'0" perimeter up to 60 min.
single swing 4'0" x 8'0" perimeter - 90 min.
standard pair 8'0" x 9'0" perimeter up to 60 min.
standard pair 8'0" x 8'0" perimeter - 90 min.
use 9550 at the meeting edge of pairs

20 Minute rated wood door with aluminum fire rated frame up to:
single swing 4'0" x 7'0" or 3'0" x 8'0" perimeter

Self-Adhesive

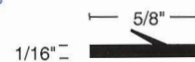


- 9450B Brown
- 9450C Charcoal
- 9450W White

1/8" clearance required between door and frame.
Available in 36", 48", 84", 96" and 108" lengths



**Combination Edge Sealing System
Smoke and Draft Control Gasketing - Category 'G' and 'H' Listed:**



Required for Category B wood fire doors to meet positive pressure and 'S' label requirements.

Intumescent with Protective Skin and Smokefin

9850 Intumescent with fin, Self-Adhesive Surface Mounted Fire and Smoke Seal

- 9850B Brown
- 9850C Charcoal
- 9850W White

Available in 36", 48", 84", 96" and 108" lengths

20, 45, 60 Minute rated wood door with steel or wood fire door frames up to:

- single swing 4'0" x 9'0", perimeter
- standard pair 8'0" x 9'0", perimeter
- double-egress pair 8'0" x 9'0", perimeter

90 Minute rated wood door with steel fire door frames up to:

- single swing 4'0" x 8'0", perimeter
- standard pair 8'0" x 8'0", perimeter

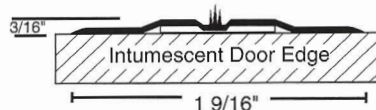
20 Minute rated wood door with aluminum fire rated frames up to:

- single swing 4'0" x 7'0", or 3'0" x 8'0", perimeter

9550 NGP "EDGE" with fins, Self-Adhesive Fire and Smoke Seal

20, 45, 60, 90 minute rated wood door with steel or wood fire door frames up to:

- single swing 4'0" x 9'0", perimeter
- standard pair 8'0" x 9'0", perimeter/meeting edge
- double-egress pair 8'0" x 9'0", perimeter/meeting edge



- 9550 Gray
- 9550DKB Brown

Available in 36", 48", 84", 96" and 108" lengths.

designed for 1/8" clearance between doors



Combination Edge Sealing System/Smoke and Draft Control Gasketing - Category 'G' and 'H' Listed:

Required for Category B wood fire doors to meet positive pressure and 'S' label requirements

**9440 or 9441
Intumescent Batwing Self-Adhesive
Fire and Smoke Seal**

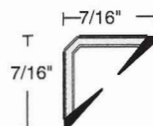
20, 45, 60, 90 Minute rated wood doors with steel or wood fire-rated door frames up to:

- single swing 4'0" x 9'0" perimeter up to 60 min.
- single swing 4'0" x 8'0" perimeter - 90 min.
- standard pair 8'0" x 9'0" perimeter up to 60 min.
- standard pair 8'0" x 8'0" perimeter - 90 min.

use 9550 at the meeting edge

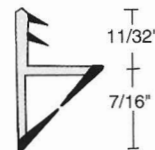


Self-Adhesive



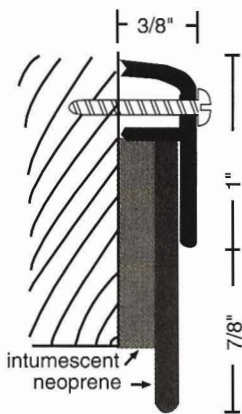
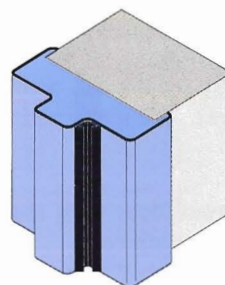
- 9440B Brown
- 9440C Charcoal
- 9440W White

Kerf Application



- 9441B Brown
- 9441C Charcoal
- 9441W White

1/8" clearance required between door and frame.
Available in 36", 48", 84", 96" and 108" lengths



Retain Fire Rating on 20 Minute Wood Doors With Undercut up to 1 1/4"

339FSA **339FSDKB**

- Positive Pressure listed, UL10C, UBC 7-2 (1997), IBC for 20 minute wood doors with up to 1 1/4" undercut.
- UL10B for 20 minute wood doors with up to 1 1/4" undercut.

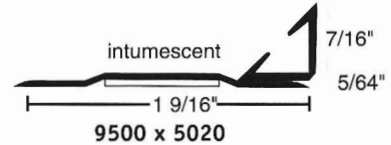
9500 x 5020 or 9500 x 2525
NGP "EDGE", Self-Adhesive Fire Seal x Smoke Seal

20, 45, 60, 90 Minute rated wood door with steel or wood fire door frames up to:

single swing 4'0 x 9'0, perimeter
 standard pair 8'0 x 9'0, perimeter/with 9550 at the meeting edge



9500 x 2525



9500 x 5020

1/8" clearance required between door and frame

Order separately:

9500 Gray
 9500DKB Brown

5020B Brown
 5020C Charcoal
 5020W White

2525B Brown
 2525C Charcoal
 2525W White
 2525T Tan

Available in 36", 48", 84" 96" and 108" lengths.

Available in 36", 48", 84", 96" and 108" lengths

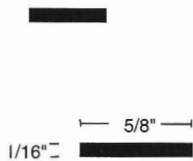
Available in 17', 20', 21', 25' and 300' rolls



9800 x 5020 or 9800 x 5050
Self-Adhesive Intumescent Fire Seal x Smoke Seal

9800B Brown
 9800C Charcoal
 9800W White
 Available in 17', 21' and 150' rolls

9890C Charcoal
 Available per foot



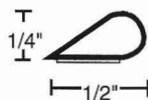
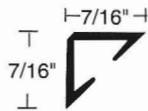
20, 45, 60 Minute rated wood door with steel or wood fire-rated door frames up to:

single swing 4'0 x 9'0, perimeter
 standard pair 8'0 x 9'0, perimeter/ use 9550 at the meeting edge and choice of 115N, 125N, 9115, 9125, 9600, 9605 astragal seal



5020B Brown
 5020C Charcoal
 5020W White
 Available in 36", 48", 84", 96" and 108" lengths

5050B Brown
 5050C Charcoal
 5050T Tan
 5050W White
 5050CL Clear
 Available in 17', 20', 21', 25' and 300' rolls



9890 x 5020 or 9890 x 5050
Self-Adhesive Fire Seal x Smoke Seal

90 Minute rated wood door with steel fire-rated door frames up to:

single swing 4'0 x 8'0, perimeter
 standard pair 8'0 x 8'0, perimeter/ use 9550 at the meeting edge



Note: 9500, 9800, 9890 Fire seals may also be combined with any NGP Smoke and Draft Control Gasketing.

E-mail: ngpinfo@ngpinc.com

www.ngp.com

Edge Sealing Systems - Category 'G' Listed:

Required for Category B wood fire doors to meet positive pressure requirements.

**9800, 9890 (90 min. rated)
Self-Adhesive Surface Mounted
Fire and Elevated Temperature Smoke Seals**

20, 45, 60 Minute rated wood door with steel or wood fire door frames up to:
 single swing 4'0" x 9'0", perimeter
 standard pair 8'0" x 9'0", perimeter/meeting edge
 double-egress pair 8'0" x 9'0", perimeter/meeting edge

90 Minute rated wood door with steel fire door frames up to:
 single swing 4'0" x 8'0", perimeter (9890 only)
 standard pair 8'0" x 8'0", perimeter/meeting edge (9890 only)

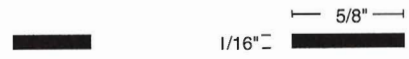
20 Minute rated wood door with aluminum fire door frames up to:
 single swing 4'0" x 7'0", perimeter or 3'0" x 8'0", perimeter

**9500 NGP "EDGE", Self-Adhesive
Fire and Elevated Temperature Smoke Seals**

20, 45, 60, 90 minute rated wood door with steel or wood fire door frames up to:
 single swing 4'0" x 9'0", perimeter
 standard pair 8'0" x 9'0", perimeter/meeting edge
 double-egress pair 8'0" x 9'0", perimeter/meeting edge

9500 Gray
 9500DKB Brown

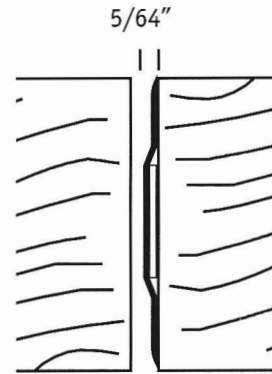
Available in 36", 48", 84", 96" and 108" lengths.



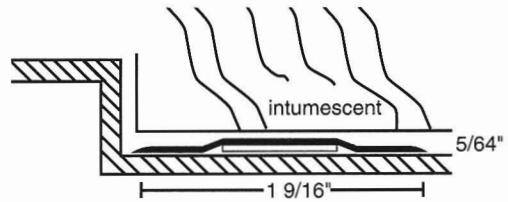
Intumescent with Protective Skin

9800B Brown	9890C Charcoal
9800C Charcoal	90 minute rated
9800W White	

Available in 17', 21' and 150' rolls
 Available per foot as required



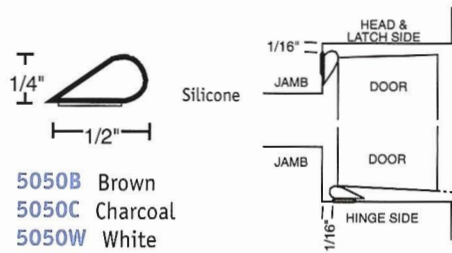
1/8" clearance required between doors



1/8" clearance required between door and frame

U.S. Pat. DES 417,739

Self Adhesive Seals

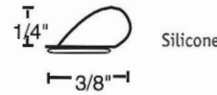


- 5050B Brown
- 5050C Charcoal
- 5050W White
- 5050T Tan
- 5050CL Clear



ESS *Edge Sealing System on 20 min rated wood doors up to 4'0 x 8'0 single, 8'0 x 8'0 std. pair with 9800 or 9500 at meeting edge.

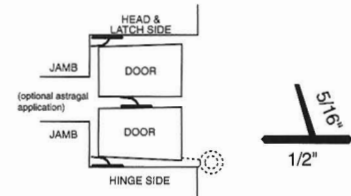
Available in 17', 20', 21', 25' and 300' rolls.



- 2525B Brown
- 2525C Charcoal
- 2525W White
- 2525T Tan



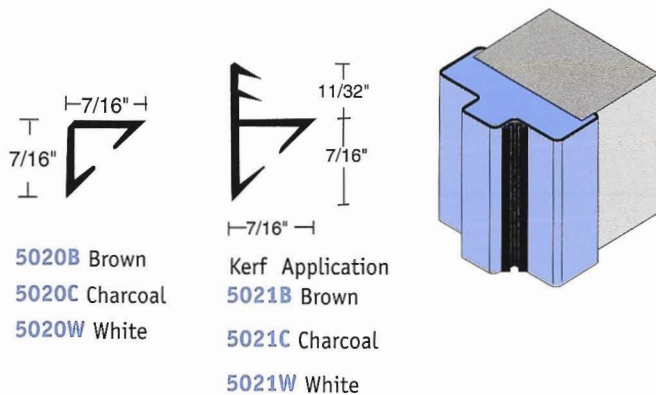
Available in 17', 20', 21', 25' and 300' rolls.



- 5060B Brown
- 5060CL Clear



Available in 7', 8', 9', 17', and 21' rolls



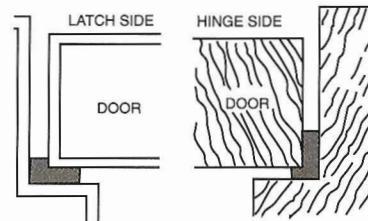
- 5020B Brown
- 5020C Charcoal
- 5020W White
- 5021B Brown
- 5021C Charcoal
- 5021W White



Available in 36", 48", 84", 96" and 108" lengths.

Neoprene Gasketing

	width	thickness
361	18', 21', 50' rolls	3/8" x 3/16"
362	18', 50' rolls	1/2" x 1/4"
363	18', 50' rolls	3/8" x 1/8"



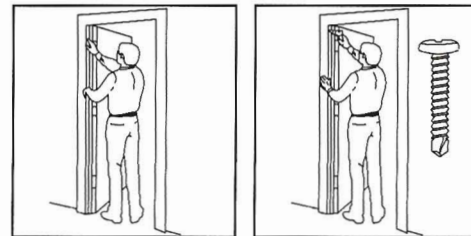
"FATT"

Fast Attach Two-Way Tape

Fast attach two way tape provides an easy and effective alternative to gasketing installation. A 1/2" wide 2-way tape is applied to the metal housing insuring a quick and easy installation. Then for security, 3 tek-type self drilling screws are used to further secure each piece of material to the frame stop. A no problem installation with no holes to drill.

To order add suffix "FATT" to product number. See price list for products available with this feature.

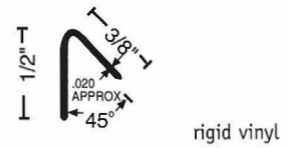
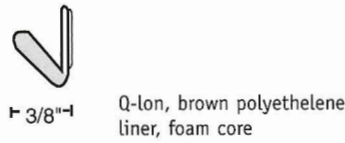
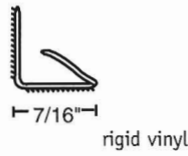
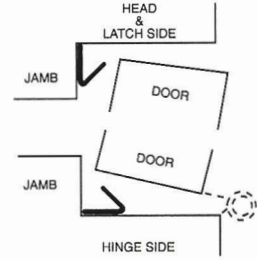
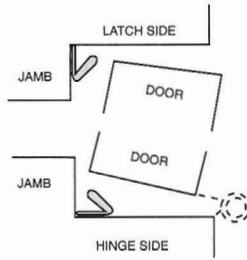
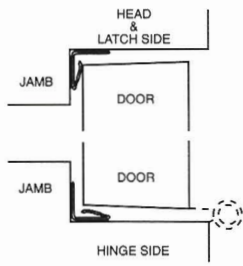
FATT IS NOT CLASSIFIED FOR USE ON FIRE DOORS.



E-mail: ngpinfo@ngpinc.com

www.ngp.com

Self Adhesive Seals



PF180 black
* 10C *

PF183 brown
* 10C * **BHMA**

5030C charcoal
5030W white
* 10C *

Available in 36", 48", 86", 96" & 120" lengths

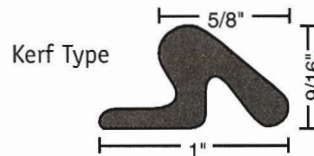
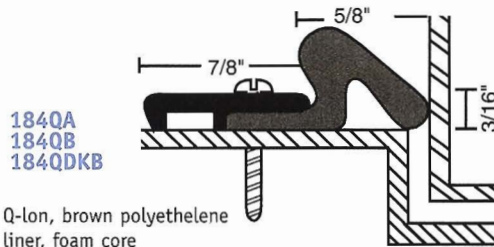
Available in 36", 48", 86", 96" & 120" lengths

Available in 42", 84" & 120" lengths

*up to 3 hours metal doors,
1 hour wood doors.

Foam Seals

#6 x 3/4" Stainless Steel Sheet Metal Screws furnished.

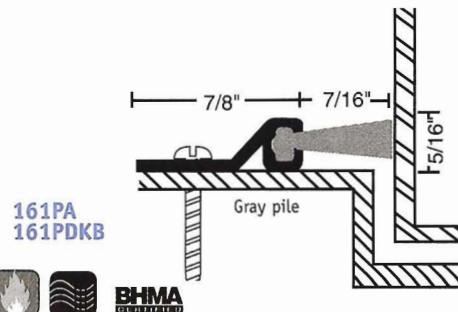
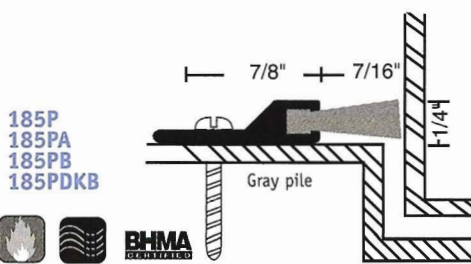


Stock lengths: 36", 48", 96", 120"

BHMA

BHMA

Pile Seals



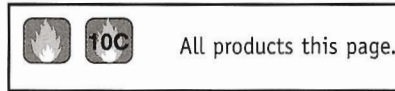
.07 aluminum for military specs

BHMA

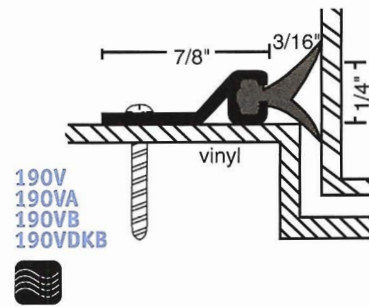
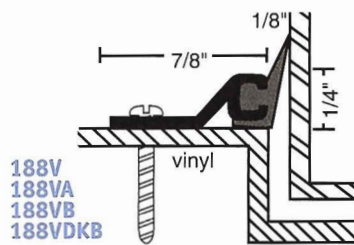
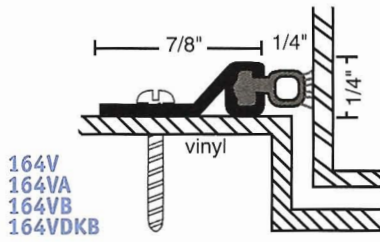
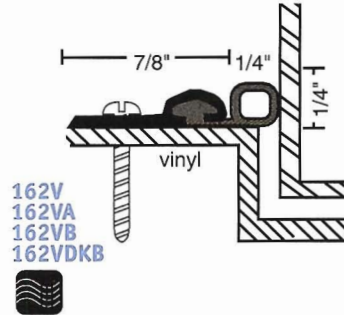
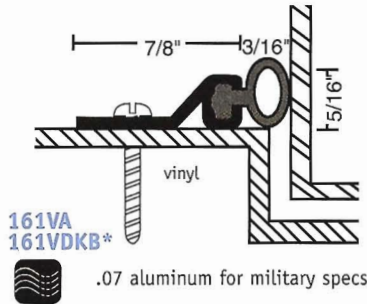
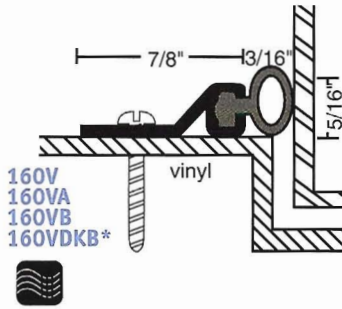
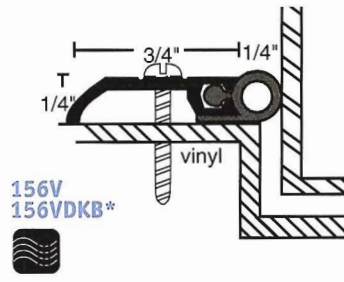
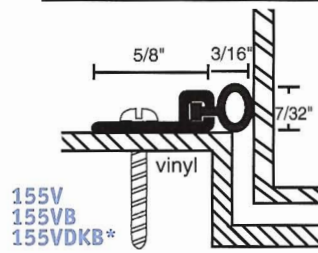
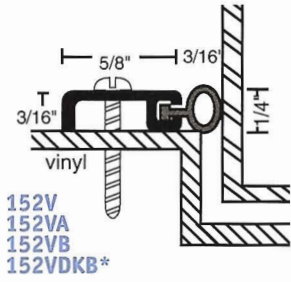
BHMA

Vinyl Seals

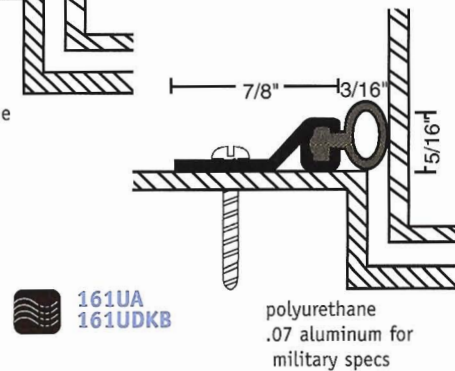
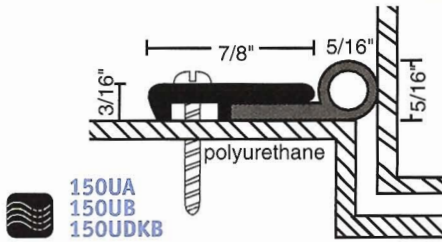
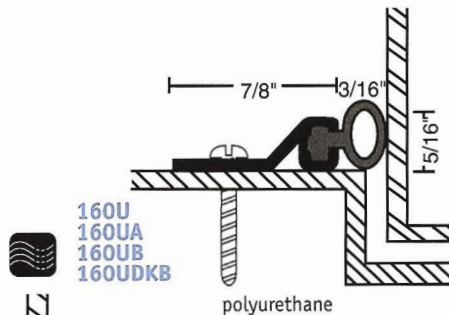
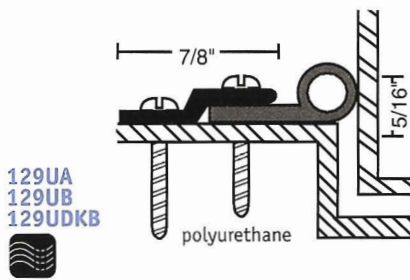
#6 x 3/4" Stainless Steel Sheet Metal Screws furnished.



A - clear
B - gold
DKB - dark bronze
Vinyl is gray
(exception: *vinyl is black)
polyurethane is black



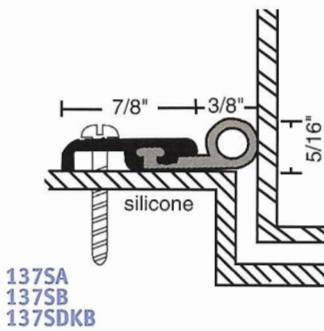
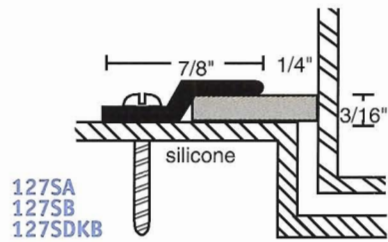
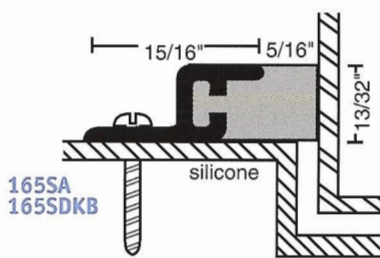
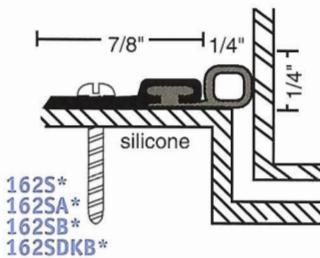
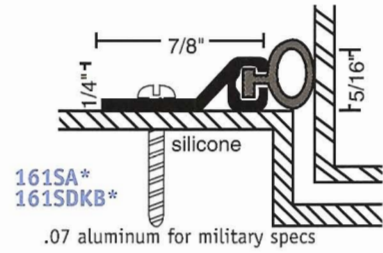
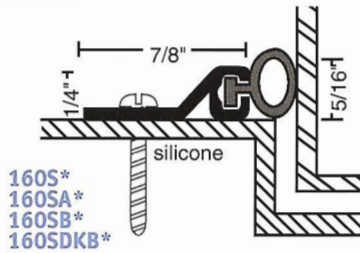
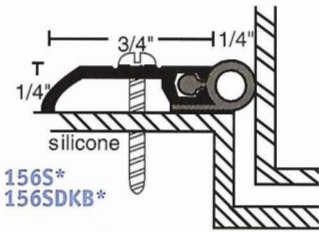
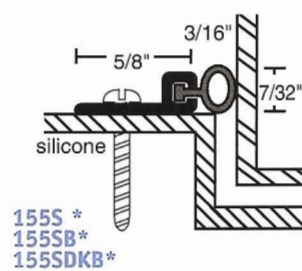
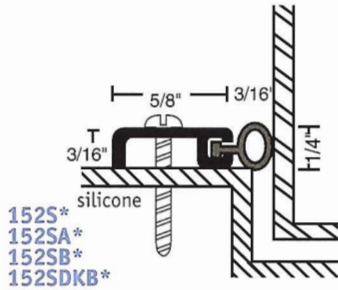
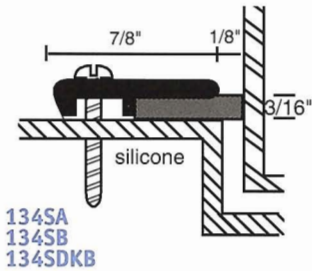
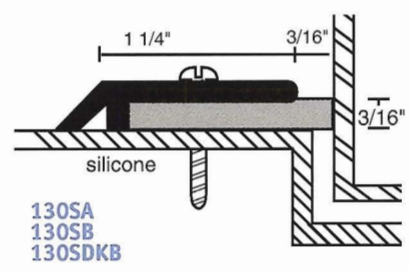
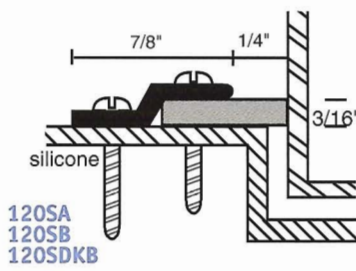
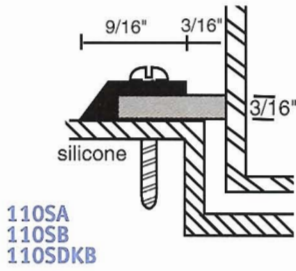
Polyurethane Seals



E-mail: ngpinfo@ngpinc.com

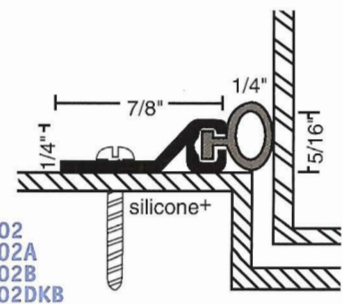
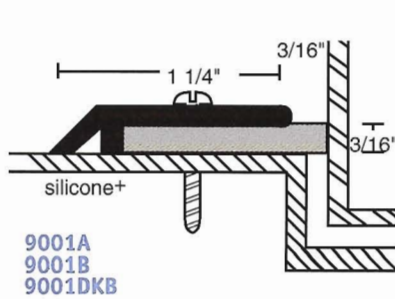
www.ngp.com

#6 x 3/4" Stainless Steel Sheet Metal
Screws furnished.



A - clear
B - gold
DKB - dark bronze
silicone is gray
(exception: *silicone is black)

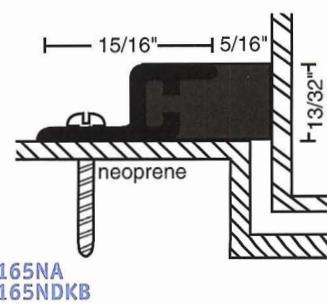
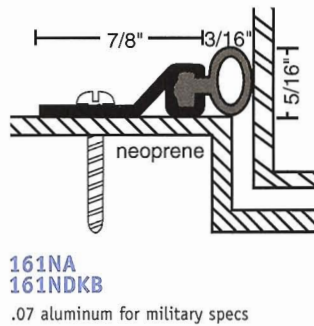
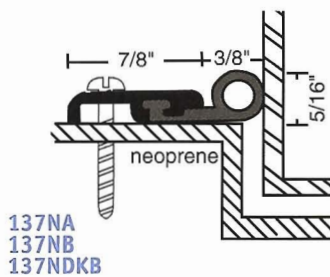
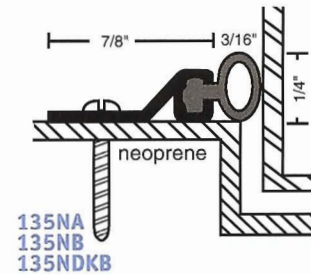
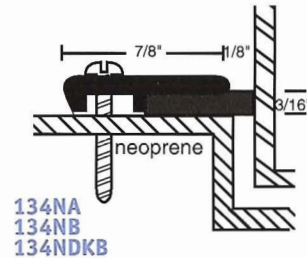
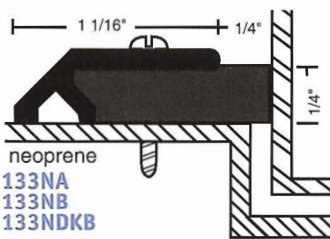
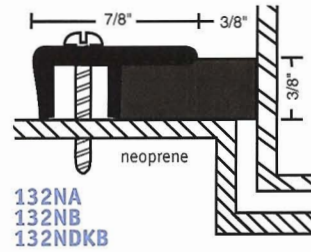
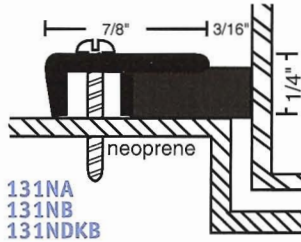
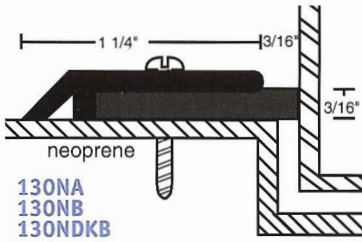
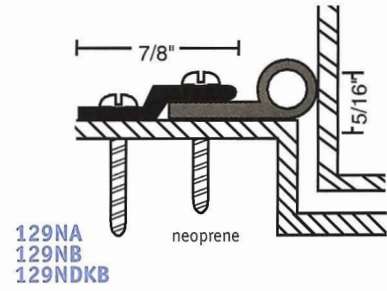
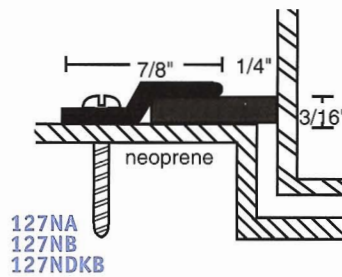
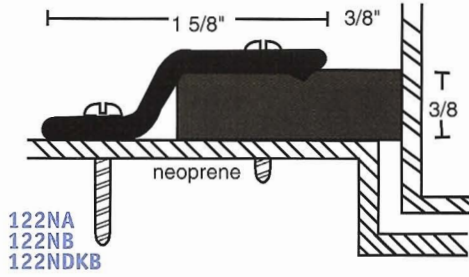
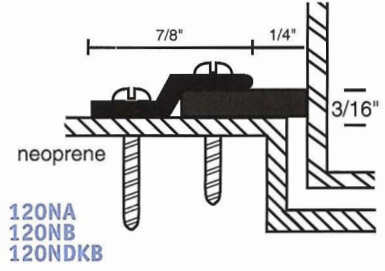
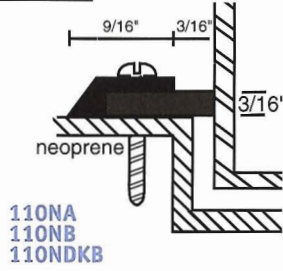
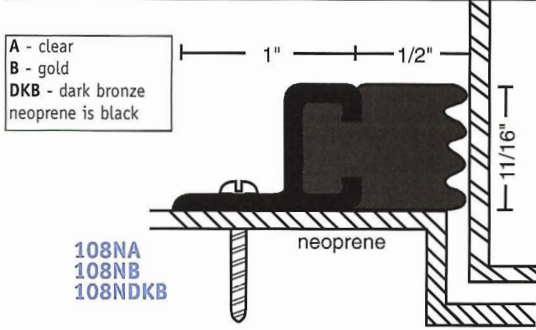
SILICONE PLUS- Specially formulated to withstand greater temperature extremes while providing maximum protection against air infiltration. Silicone Plus gasket material is tan.



All products this page.

#6 x 3/4" Stainless Steel Sheet Metal Screws furnished.

A - clear
 B - gold
 DKB - dark bronze
 neoprene is black

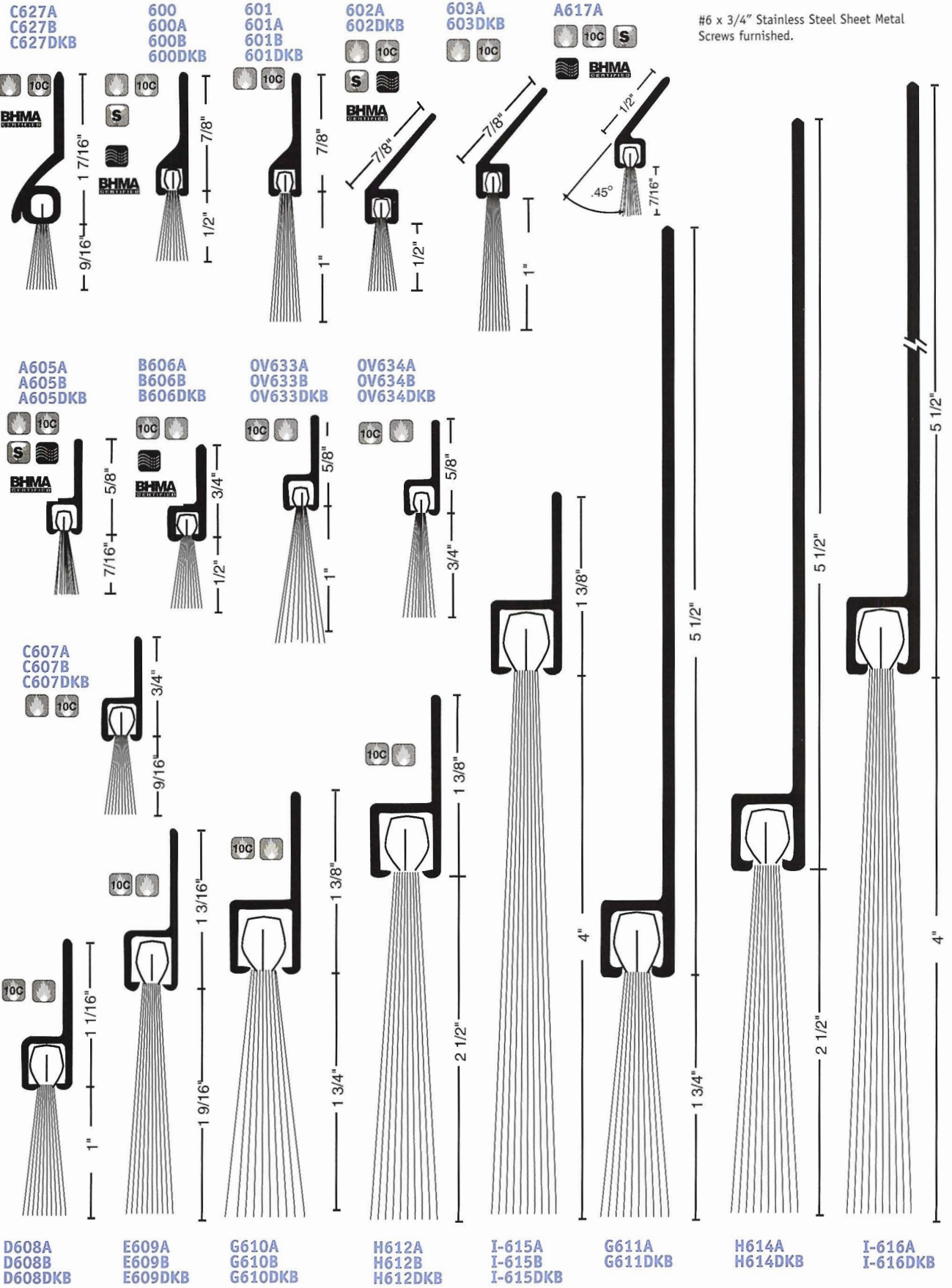


E-mail: ngpinfo@ngpinc.com

www.ngp.com



Wild Hair® - Nylon Brush Seals

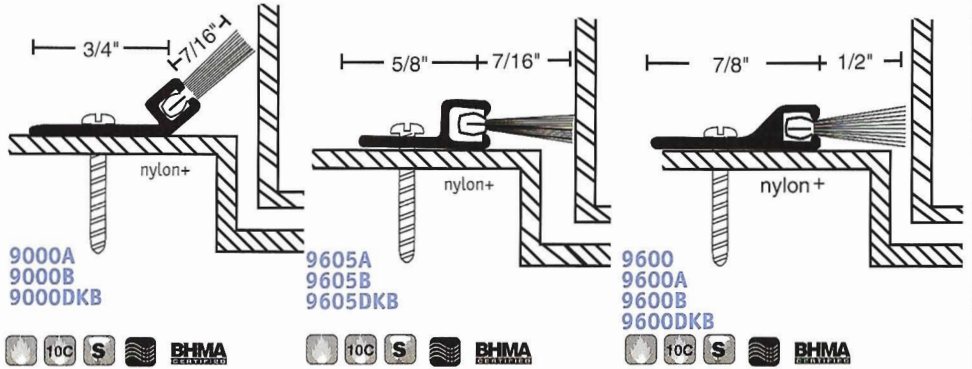


E-mail: ngpinfo@ngpinc.com

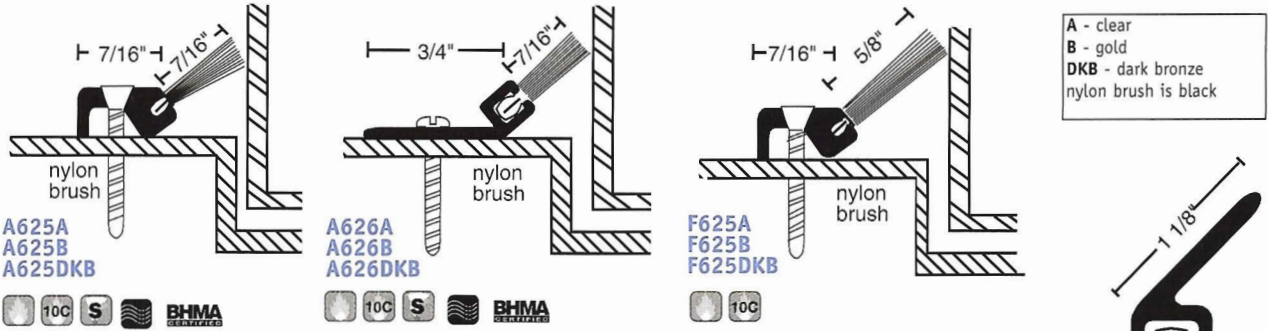
www.ngp.com

Nylon Brush Plus -

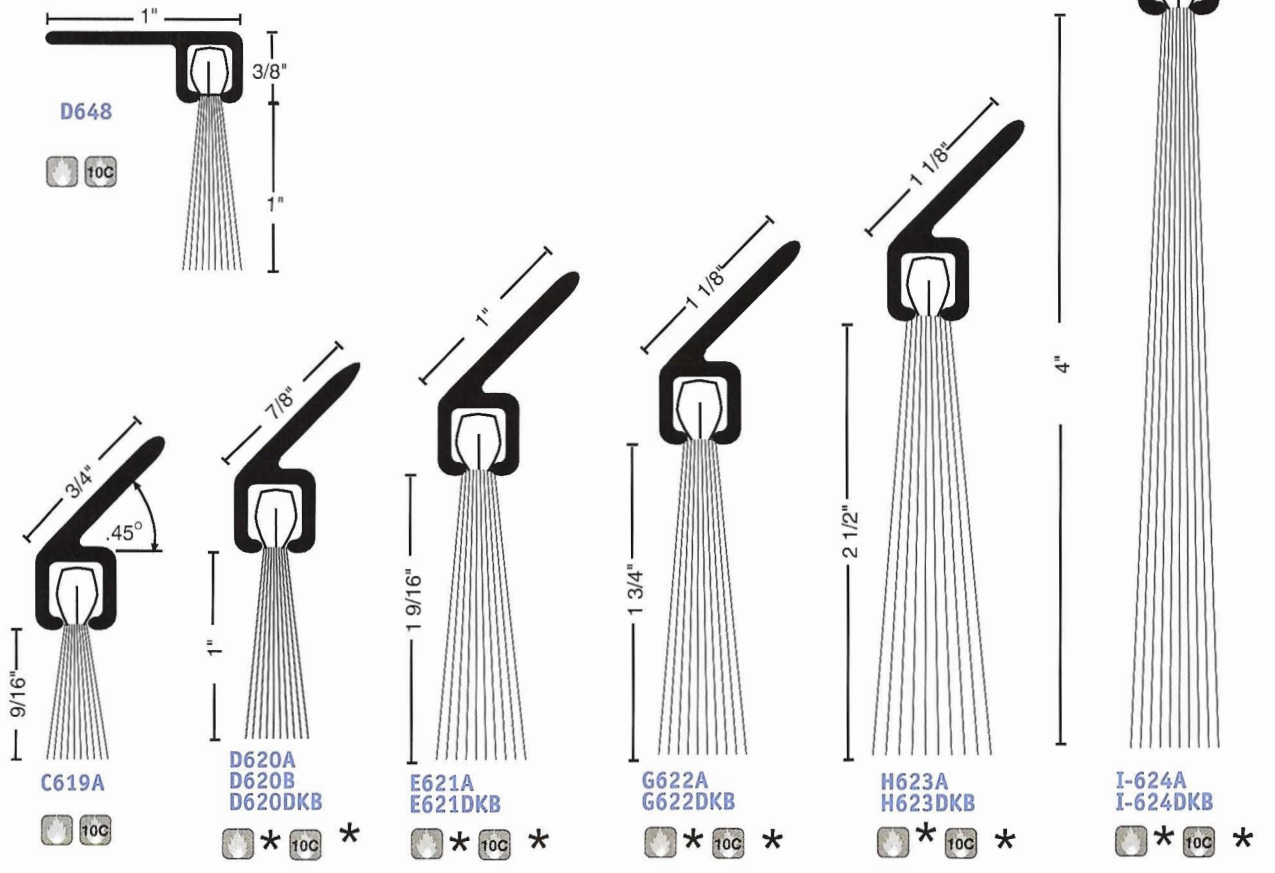
Specially formulated to withstand greater temperature extremes while providing maximum protection against air infiltration. Nylon Brush Plus color of brush is Tan.



#6 x 3/4" Stainless Steel Sheet Metal Screws furnished.



A - clear
B - gold
DKB - dark bronze
nylon brush is black



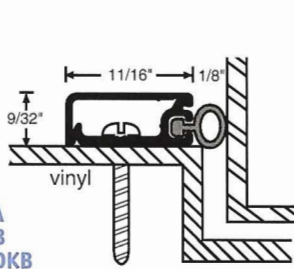
*up to 3 hours metal doors, 1 hour wood doors.

E-mail: ngpinfo@ngpinc.com

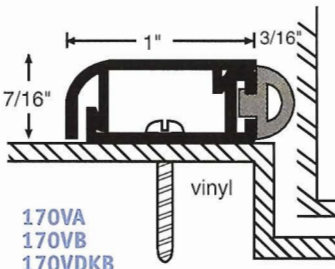
www.ngp.com

Concealed Fastener Seals

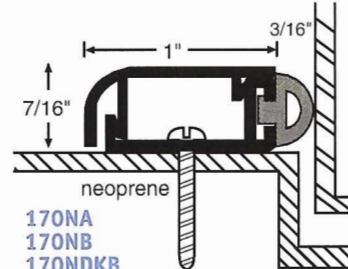
#6 x 3/4" Stainless Steel Sheet Metal Screws furnished.



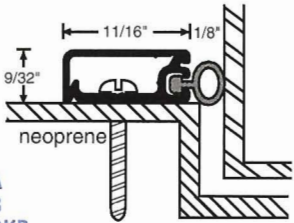
172VA
172VB
172VDKB



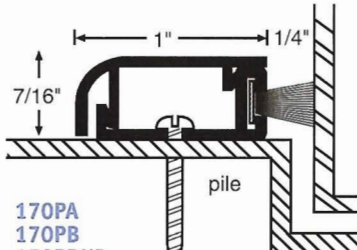
170VA
170VB
170VDKB



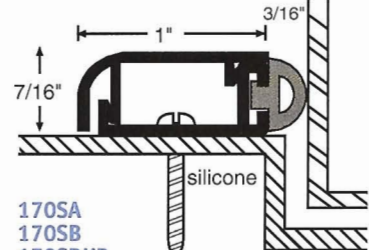
170NA
170NB
170NDKB



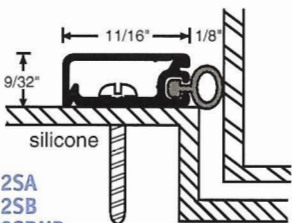
172NA
172NB
172NDKB



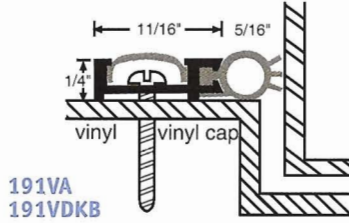
170PA
170PB
170PDKB



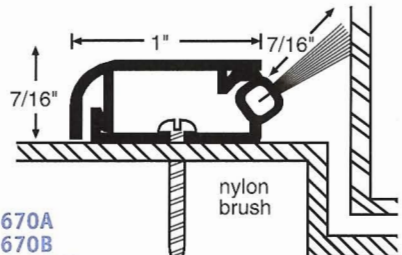
170SA
170SB
170SDKB



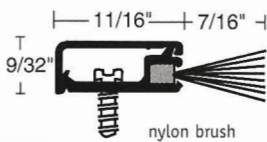
172SA
172SB
172SDKB



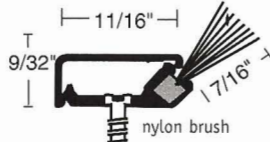
191VA
191VDKB



670A
670B
670DKB



672A
672B
672DKB



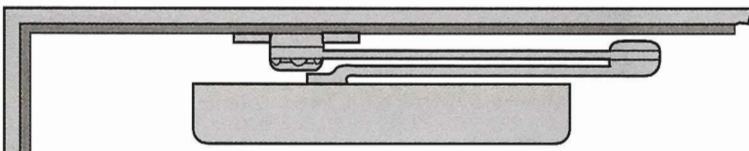
676A
676B
676DKB



675A
675B
675DKB

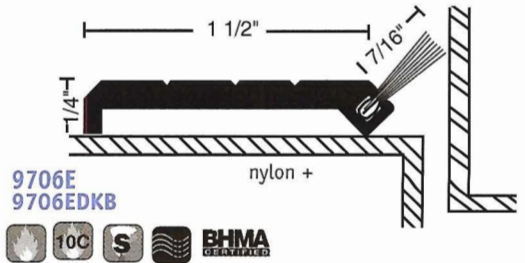
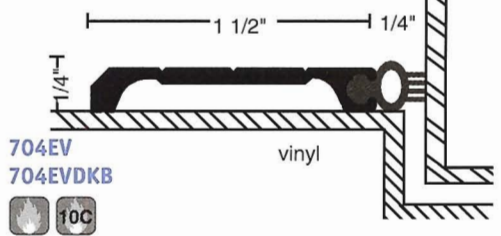
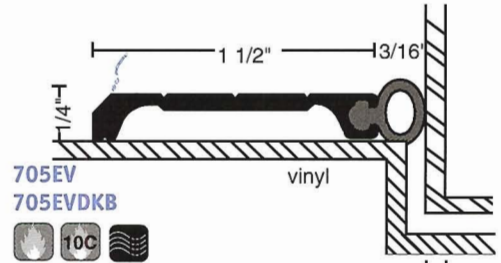
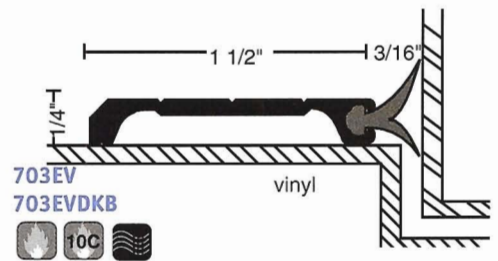
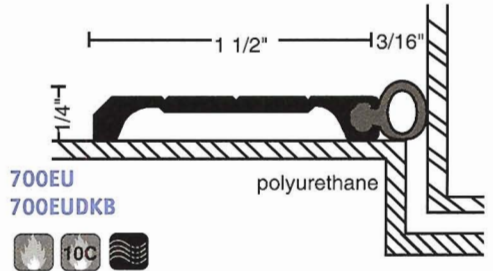
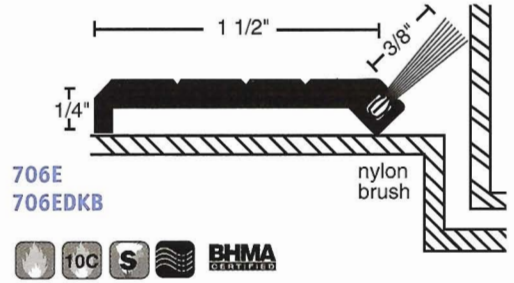
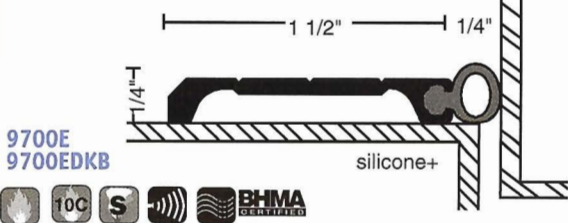
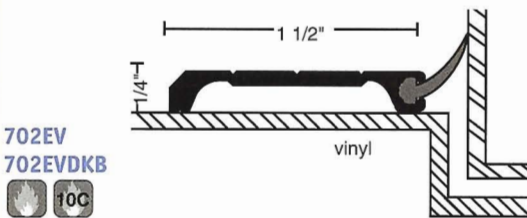
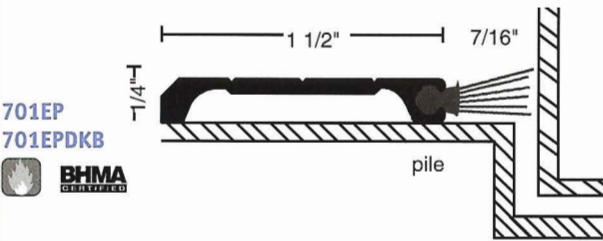
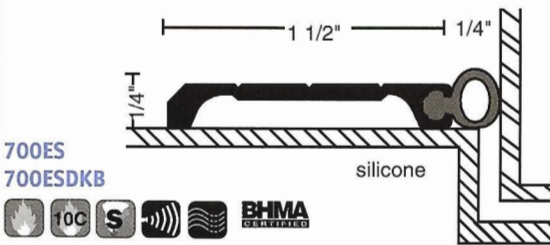
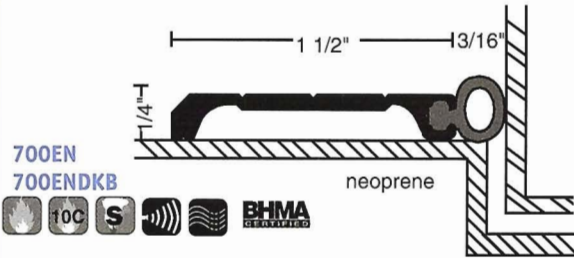


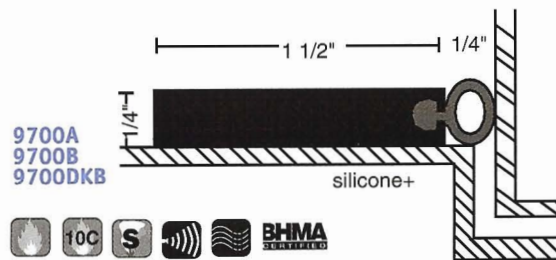
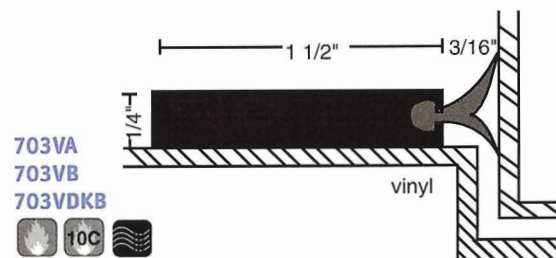
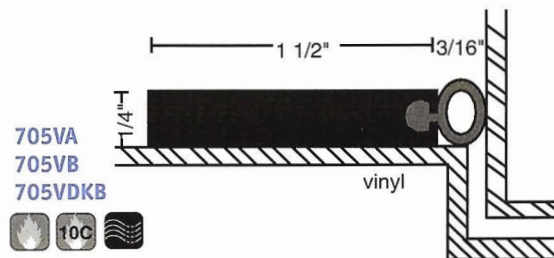
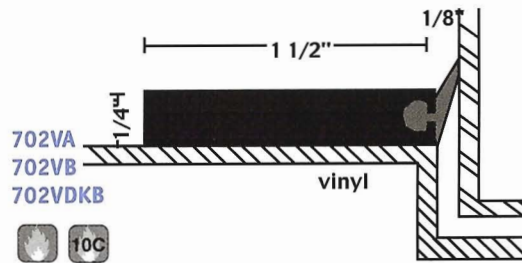
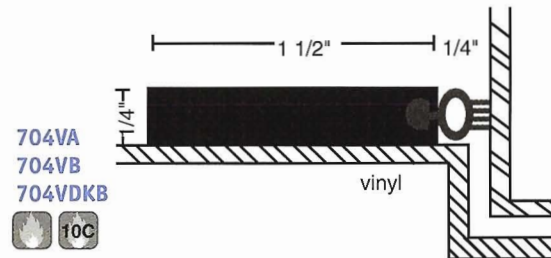
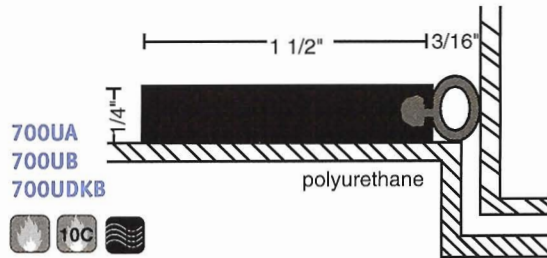
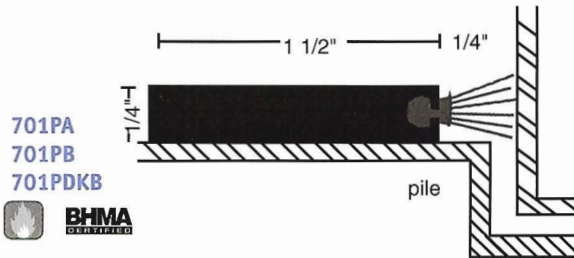
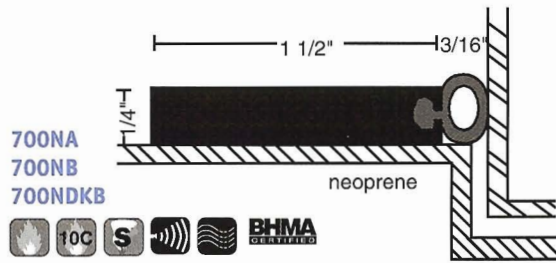
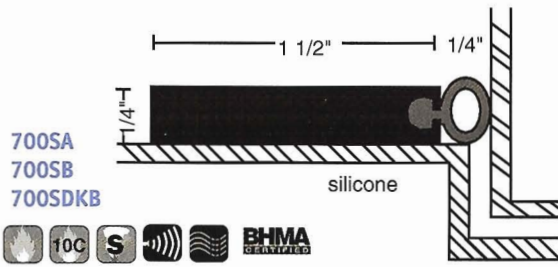
A - clear
B - gold
DKB - dark bronze
vinyl and pile are gray
neoprene, silicone, brush are black



With 700 Series:

- * No break in seal
- * Head not drilled
- * Side sections are furnished with slotted holes for adjustment
- * Comes with self drilling #8 (Tek type) screws.
- * Bracket or closer and/or hold open device to be attached to frame through weatherstrip section.
- * May be cut to fit narrow frame stops for additional charge. Specify "cut to width" on order.





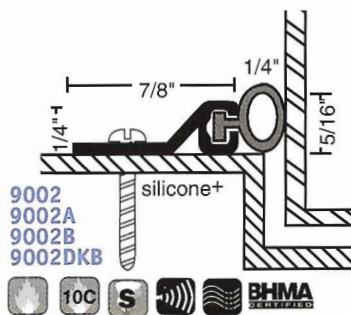
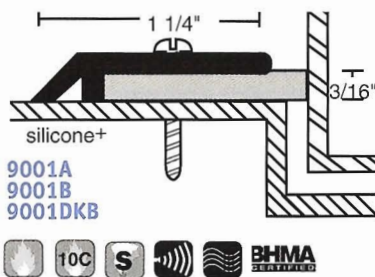
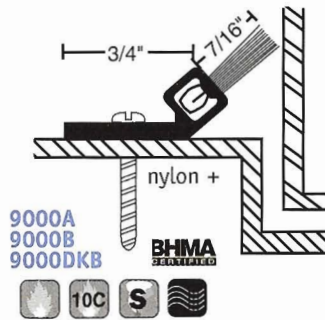
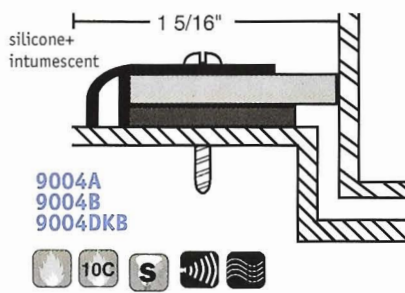
A - clear
B - gold
DKB - dark bronze
vinyl & pile are gray
neoprene, silicone, polyurethane, brush are black

Allseal® Gasketing

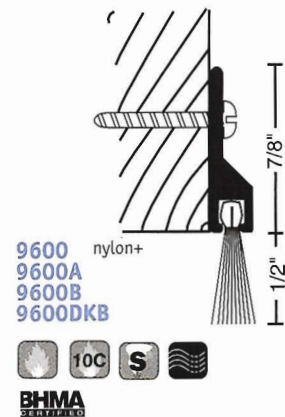
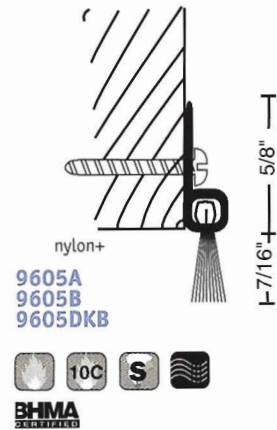
Specially formulated to withstand greater temperature extremes while providing maximum protection against air infiltration. Color of Allseal gasket material is Tan.

Perimeter Seals

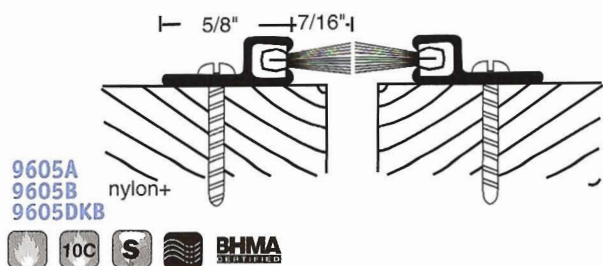
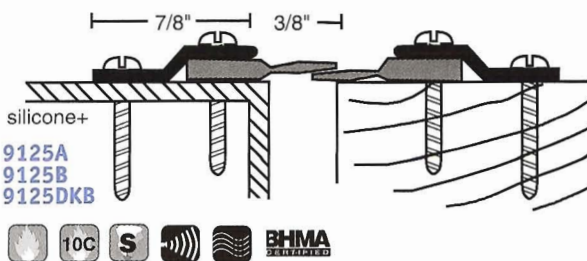
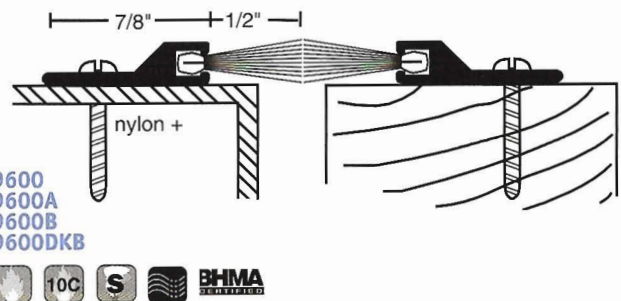
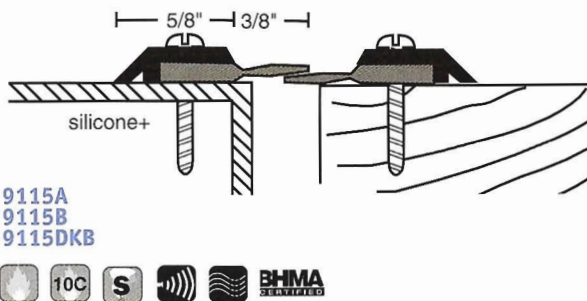
#6 x 3/4" Stainless Steel Sheet Metal Screws furnished.



Perimeter Seals or Sweeps



Astragal Seals

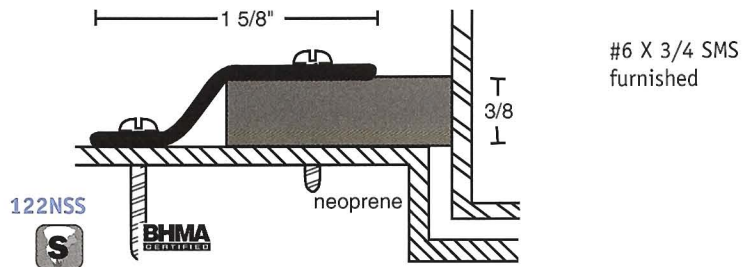
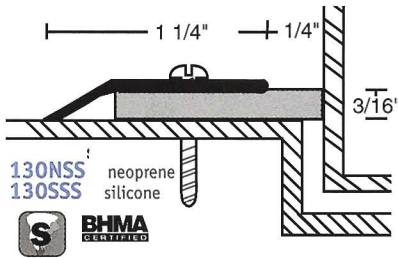
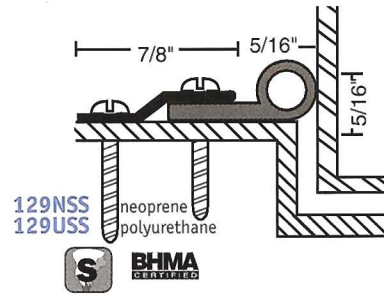
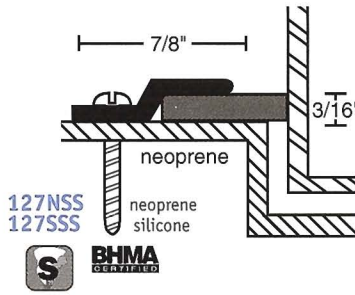
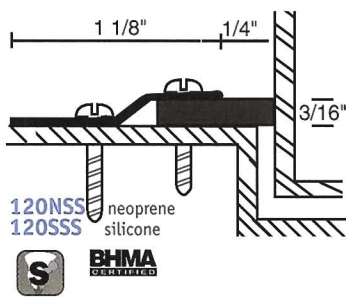


E-mail: ngpinfo@ngpinc.com

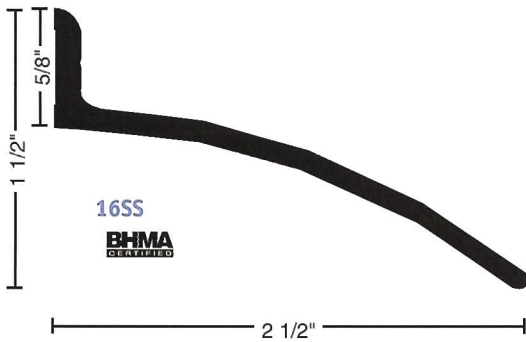
www.ngp.com

Stainless Steel Perimeter Seals

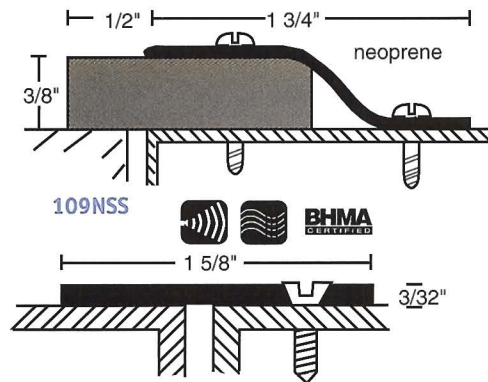
All items this section.



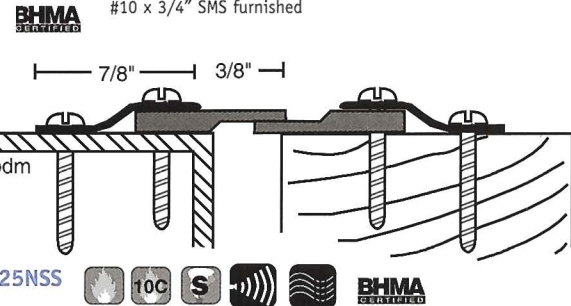
Stainless Steel Drip Strip



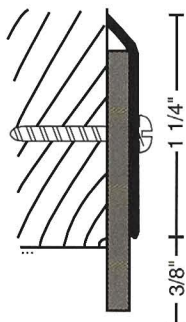
Stainless Steel Astragal Seals



139SS Available lead lined - suffix "LD"
#10 x 3/4" SMS furnished



Stainless Steel Door Sweep



200NSS neoprene **BHMA CERTIFIED**

200USS polyurethane

200SSS silicone **BHMA CERTIFIED**

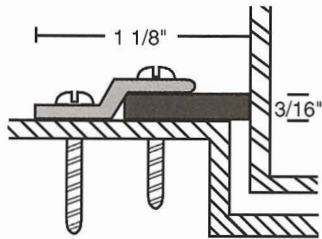


OK for use on 'S' label doors.

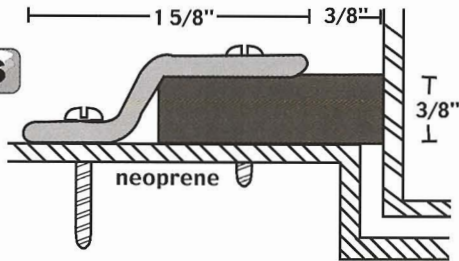
#304 stainless steel mill finish #2B standard.
Available: Polished, (US32, 629) suffix - "POL" or
Brushed #4 finish, (US32D, 630) suffix - "Brushed"
neoprene is black
silicone is gray
polyurethane is black

Perimeter Seals

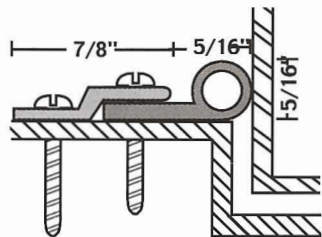
120NBR neoprene
120SBR silicone



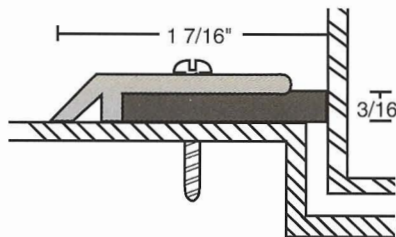
122NBR



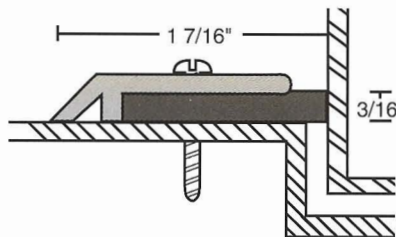
129NBR neoprene



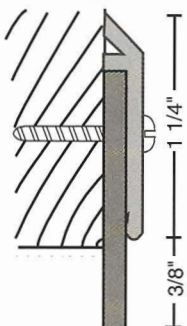
129UBR polyurethane



130NBR neoprene
130SBR silicone



Door Sweep



200NBR neoprene



200SBR silicone

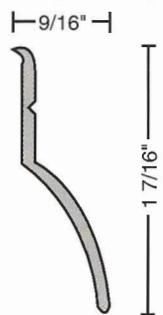


200UBR polyurethane



OK for use on 'S' label doors

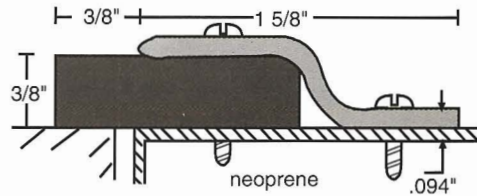
Drip Strip



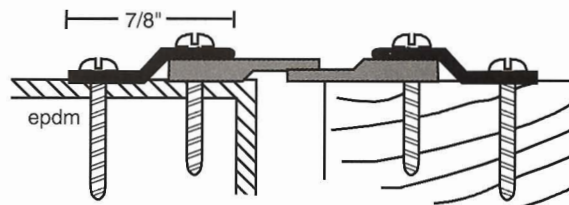
17BR BHMA Certified

neoprene & polyurethane are black
silicone & EPDM are gray

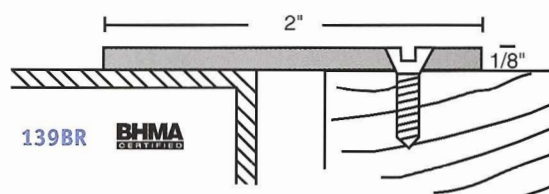
Astragal Seals



109NBR BHMA Certified



125NBR 10C S BHMA Certified

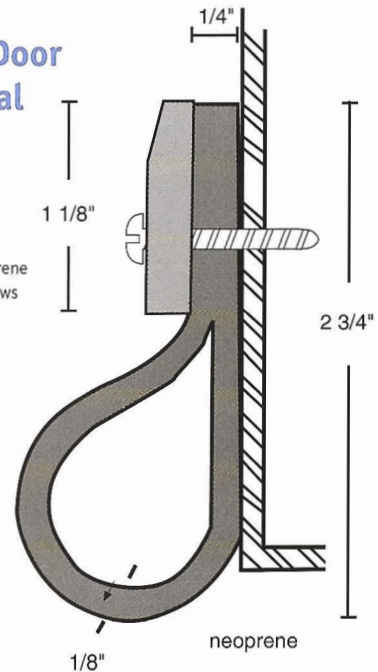


139BR BHMA Certified

Available lead lined - suffix "LD"

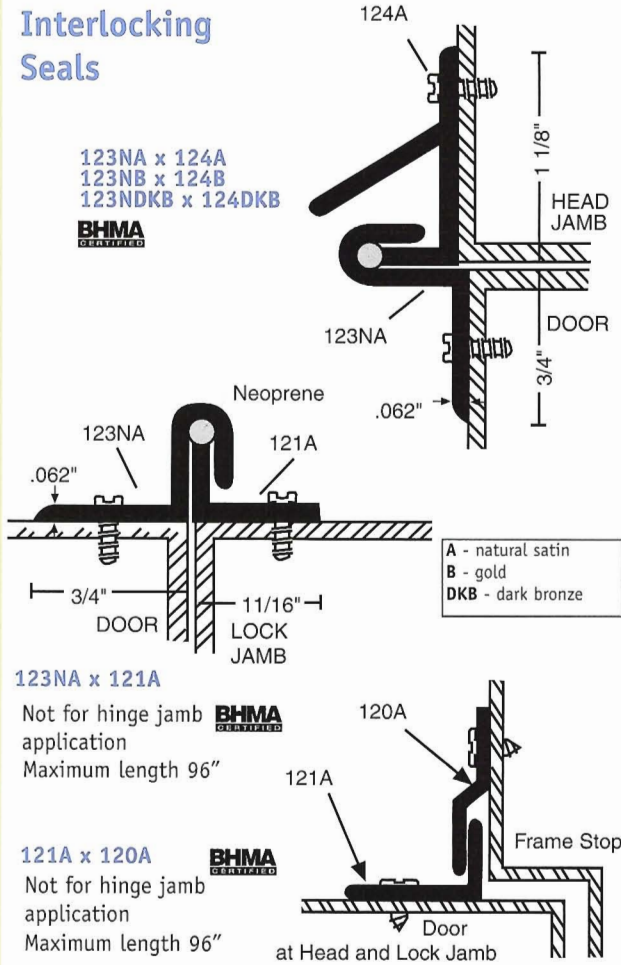
Overhead Door Bottom Seal

81369NBR neoprene
#8 x 1 1/4" Brass Screws

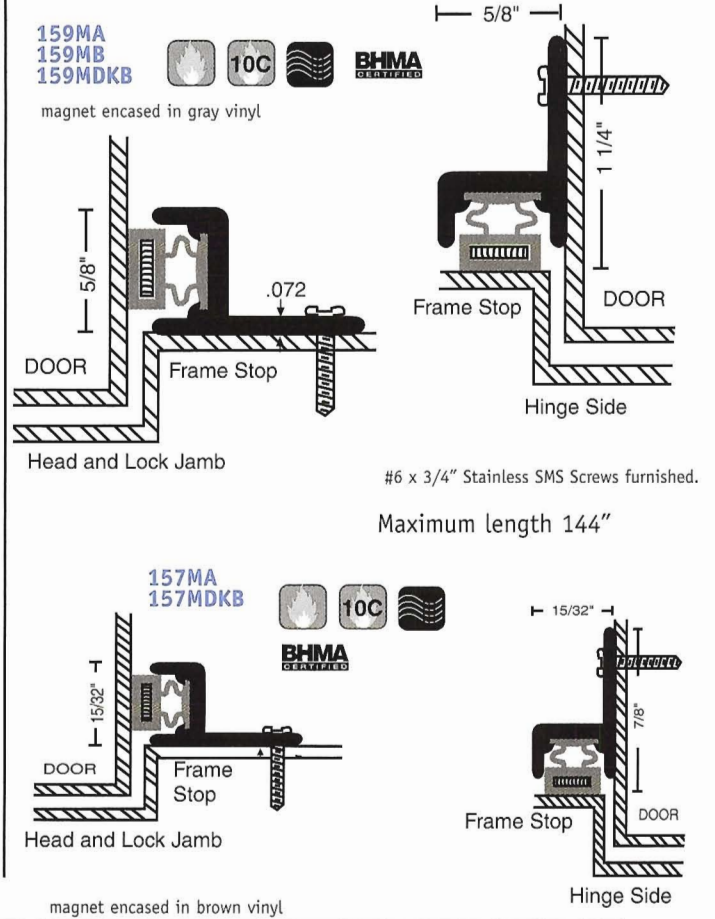


Extruded architectural bronze, mill finish (standard) is a light golden color similar to US4. Also available polished or oil rubbed.

Interlocking Seals



Magnetic Seals

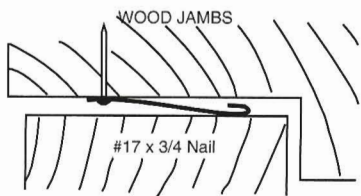
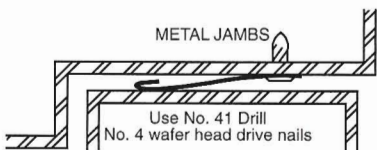


Spring Bronze Weatherstrip

Spring Bronze .009"
Plain spring Bronze - 100' rolls
Fasteners not included unless specified.



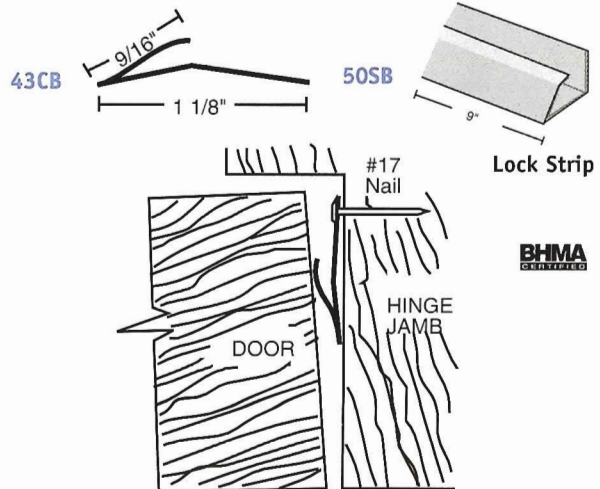
Cat. No.	Width
43SB	1 1/8"
44SB	1 1/4"
45SB	1 3/8"

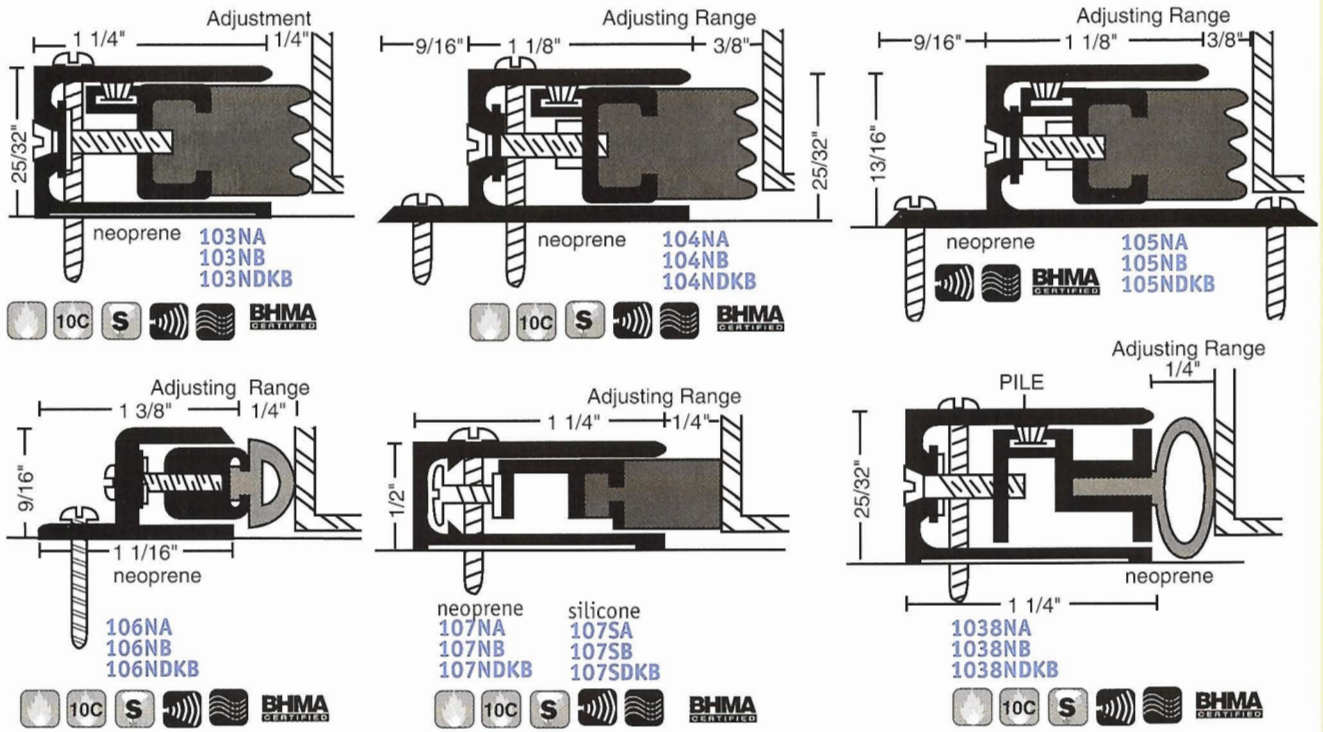


Cushion Bronze Weatherstrip

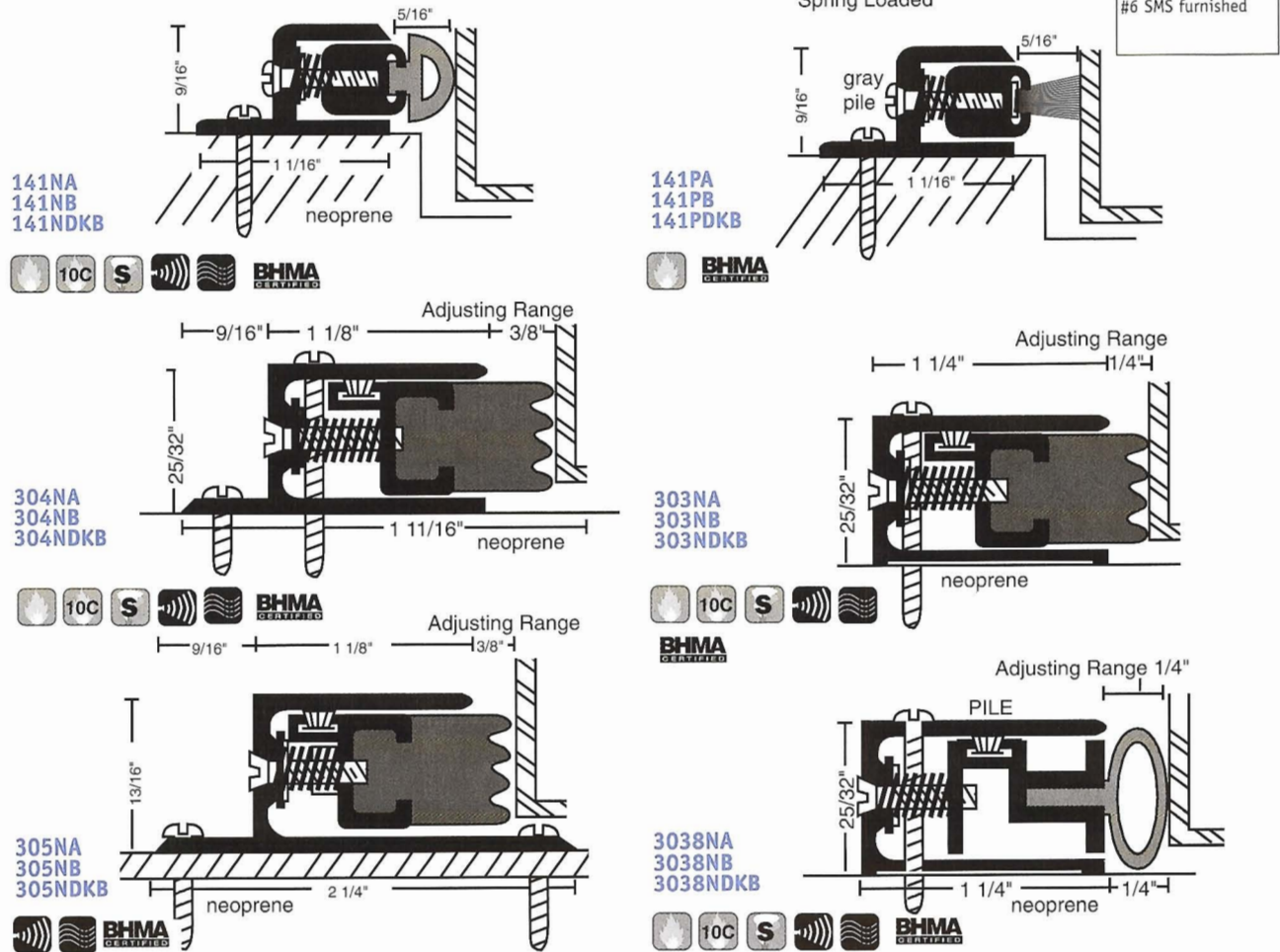
Cushion material will not coil. Specify lengths required (36", 48", 72", 86", and 96"). All other lengths on special order. Nails not included. Normal installation requires 3/4 lb. nails per 100 ft. of weatherstrip. Nails available in 1 lb. bags. Bronze .006. Use #41 drill for #4 wafter head drive nails. Wafter head pilot point drive nails make excellent applications for metal jambs, normal installation requires 6 per foot.

Available with Fast Attach Tape- Specify x "FATT"





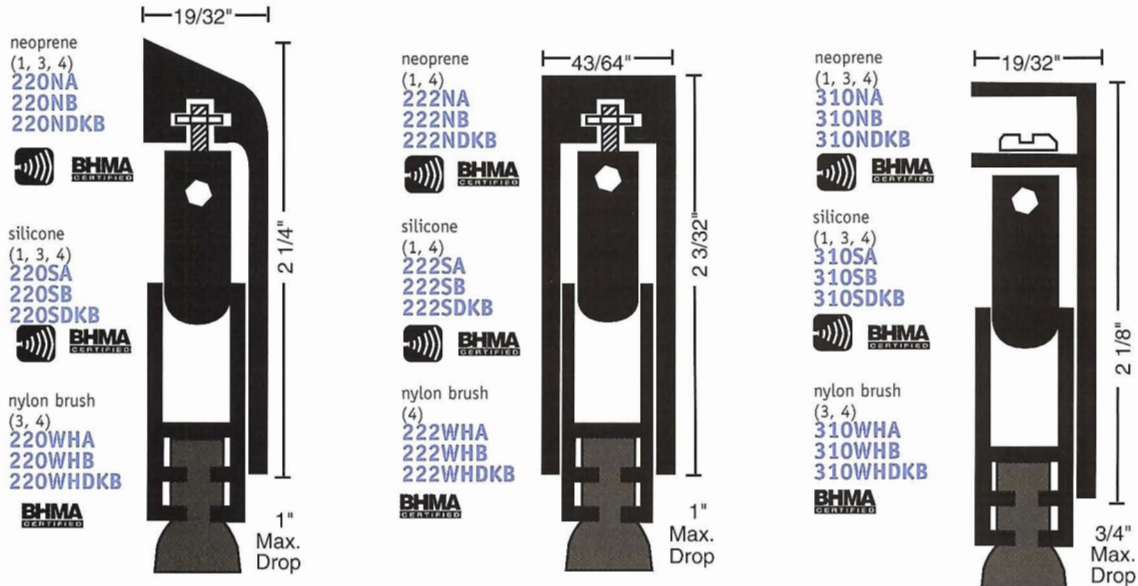
Spring Adjustable Perimeter Seals



E-mail: ngpinfo@ngpinc.com

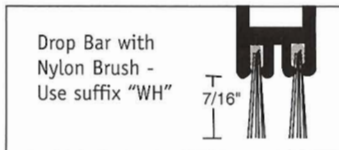
www.ngp.com

Use with a threshold for maximum sealing capability. Nylon brush recommended for carpet applications where no threshold is provided.

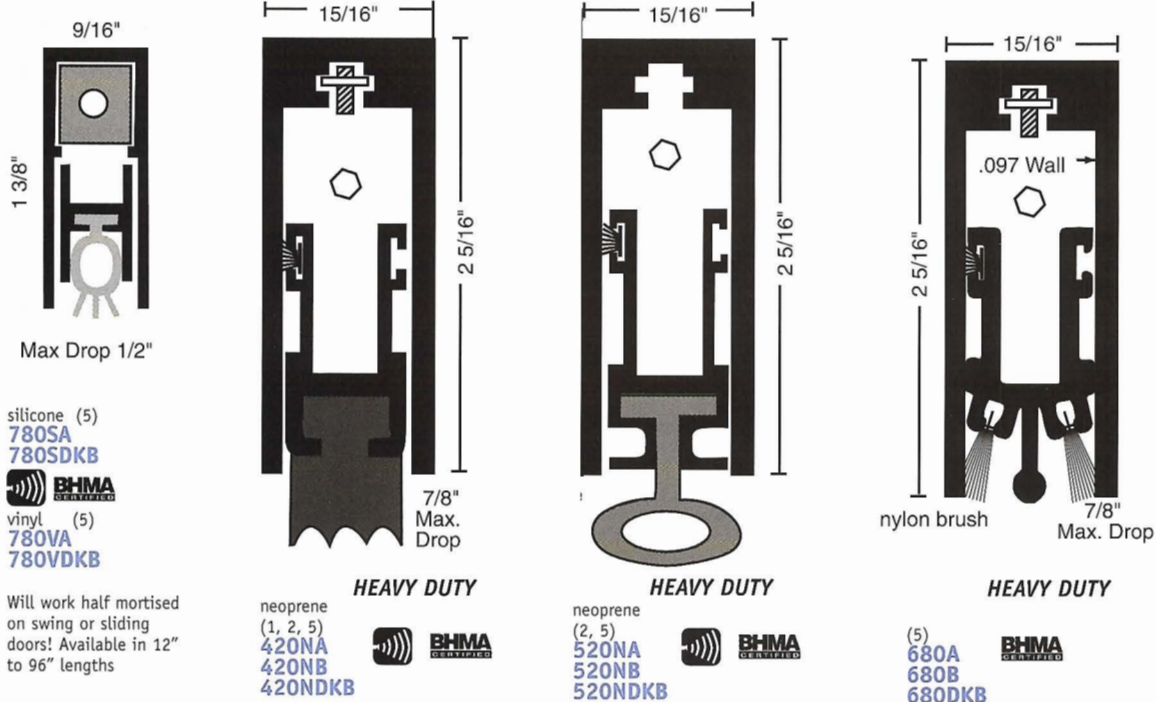


Slimline

Endurance Tested to 5 Million Cycles



All products this page: OK for use on 'S' labeled doors

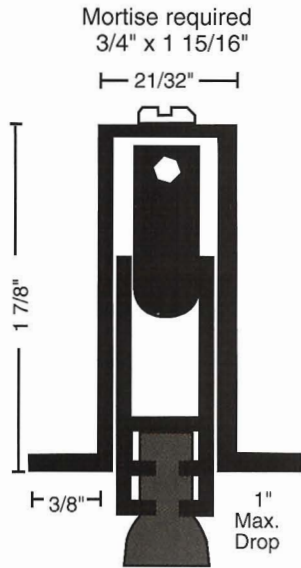


1. Available with lead insert for radiation shield on special order.
2. For half mortise applications specify HM item number prior to finish (ie: 420NHMDKB).
3. Door Bottom is handed. Right hand supplied as standard unless specified. Field reversible.
4. End caps available - please specify
5. End Caps furnished standard.

Always specify the exact net length of your Automatic Door bottom, whenever possible. Automatic Door Bottoms 32" and larger may be cut up to 4" in the field, 24" to 32" may be cut 2", under 24" should not be cut in the field. Minimum length 12".

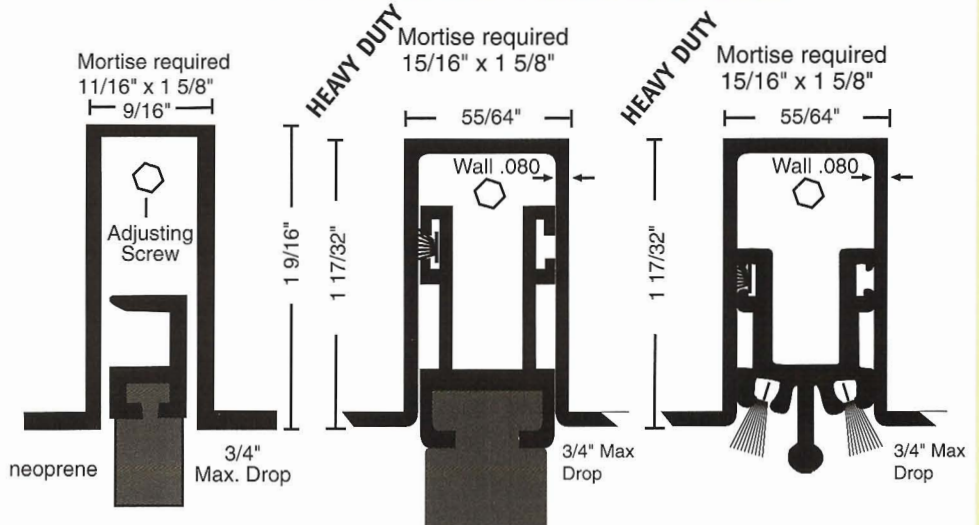
Use with a threshold for maximum sealing capability. Nylon brush recommended for carpet applications where no threshold is provided.

All products this section: OK for use on 'S' label doors. #4 x 5/8" SMS furnished



- 225N** neoprene (1, 2)
- 225S** silicone (1, 2)
- 225WH** nylon brush (2)

Fits Wood Fire Door Mortise Restrictions



- 335N** neoprene (2)
- 335S** silicone (2)

- 423N** neoprene (1, 3, 4)

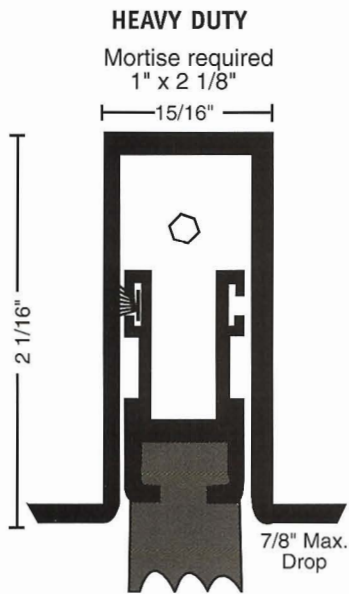
- 683** nylon brush (3, 4)

Available from 24" to 48" in length

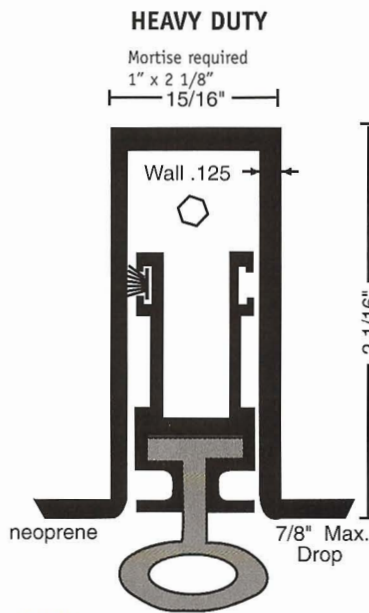
Available from 24" to 60" in length

Available from 24" to 60" in length

Tested to 1,000,000 cycles



- 422N** (1, 3, 4)

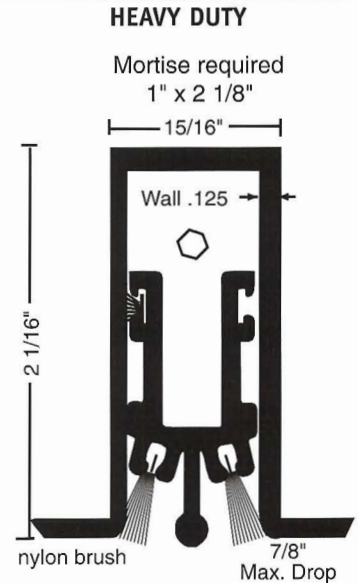


- 522N** (3, 4)

All products this section.



* up to 3 hrs. metal doors, 45 mins. wood doors



- 682** (3, 4)

1. Available with lead insert for radiation shield on special order.
2. End caps available - please specify
3. End Caps furnished standard
4. DKB end caps available - please specify.

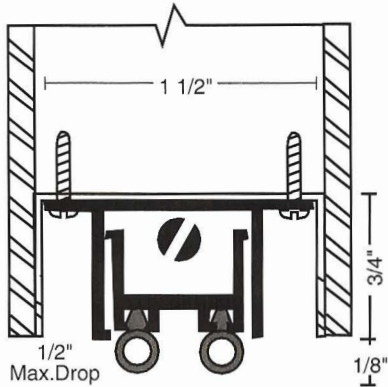
silicone & vinyl are gray
neoprene & brush are black

Always specify the exact net length of your Automatic Door bottom, whenever possible. Automatic Door Bottoms 32" and larger may be cut up to 4" in the field, 24" to 32" may be cut 2", under 24" should not be cut in the field. Minimum length 12".

E-mail: ngpinfo@ngpinc.com

www.ngp.com

Hollow Metal Doors



- 320N neoprene
- 320S silicone
- 320V vinyl

Our 320 door bottom requires 1 5/8" x 3/4" mortise and may be field cut (up to 4") in length to fit door and is reversible. This unit has an adjusting screw to regulate amount of drop to 1/2". A "furring strip" may be used to lower this automatic door bottom when a deeper channel is used.
#4 x 5/8" SMS furnished
Door Bottoms available from 24" - 48" in length.
Fire ratings apply to metal doors only.

Brass and Stainless Steel

- Brass
neoprene (1, 3, 4)
221NBR
silicone (1, 3, 4)
221SBR



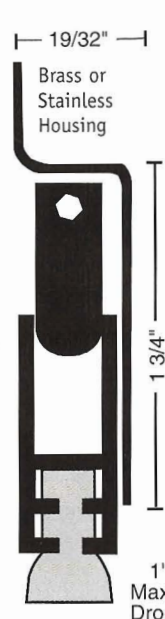
- nylon brush (3, 4)
221WHBR



- Stainless Steel
neoprene (1, 3, 4)
221NSS
silicone (1, 3, 4)
221SSS



- nylon brush (3, 4)
221WHSS



- Brass
neoprene (1, 3, 4)
229NBR
silicone (1, 3, 4)
229SBR



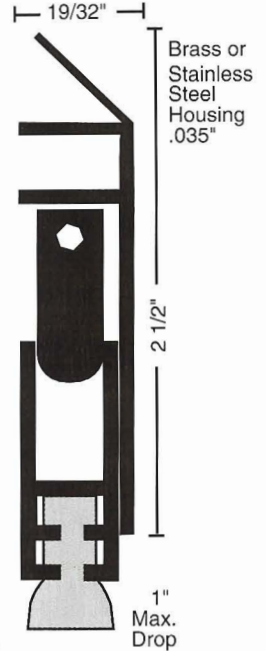
- nylon brush (3, 4)
229WHBR



- Stainless Steel
neoprene (1, 3, 4)
229NSS
silicone (1, 3, 4)
229SSS



- nylon brush (3, 4)
229WHSS



All products this page:

OK for use on 'S' label doors.



Sliding or Pocket Doors
Surface or Half Mortise



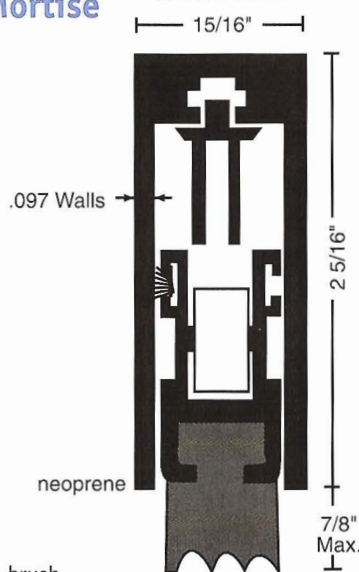
- | | | |
|--------------|--------------|-------------|
| neoprene (1) | silicone (1) | nylon brush |
| 224NA | 224SA | 224WHA |
| 224NB | 224SB | 224WHB |
| 224NDKB | 224SDKB | 224WHDKB |



Designed for use on sliding or pocket doors. A series of actuating bars keep the seal parallel to the sill or threshold until the door is in the closed position.
Available from 12" - 144" in length.

1. Lead insert available for radiation shield on special order.
3. Door Bottom is handed. Right hand supplied as standard unless specified. Field reversible.
4. End caps available - please specify

HEAVY DUTY

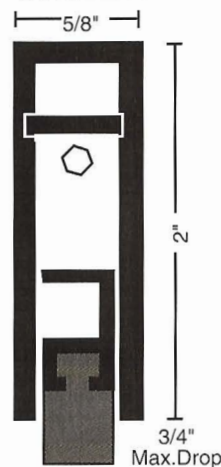


- neoprene (1)
421NA
421NB
421NDKB



E-Z Touch

SURFACE



- neoprene
223NA
223NB
223NDKB



- silicone
223SA
223SB
223SDKB



The EZ-Touch door bottom requires only 3 to 5 pounds of pressure to activate the drop bar mechanism.

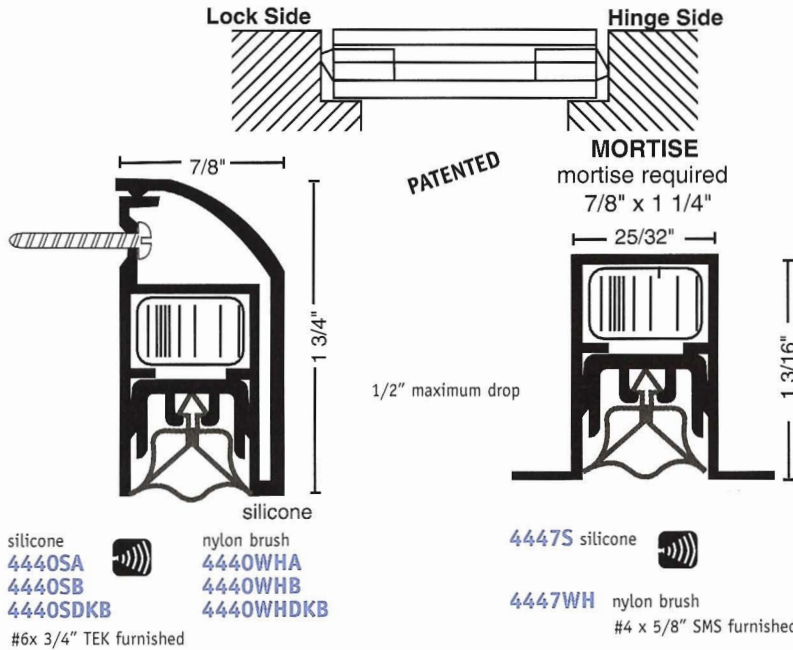
Light gauge materials have allowed us to perfect a door bottom suited for those applications when the pressure to close the door is critical. We've included the same proven technology used in all of our other automatic door bottoms.

Accessibility requirements remind us of the necessity for everyone to be able to operate doors with ease. Our EZ-Touch door bottom meets that need and still provides an effective seal for any application.

Available from 24" - 48" in length.

Dual Actuated (Hinge & Latch Edge) Door Bottom Seal

*Low compression & operating force!
* Concealed fasteners



All products
this page:
OK for use on
'S' label doors.

Available in 12" - 96" lengths.

May be cut up to 3" in field.

CAN NOT BE USED ON PAIRS OF DOORS -

For pairs - use matching single actuated door
bottoms shown below

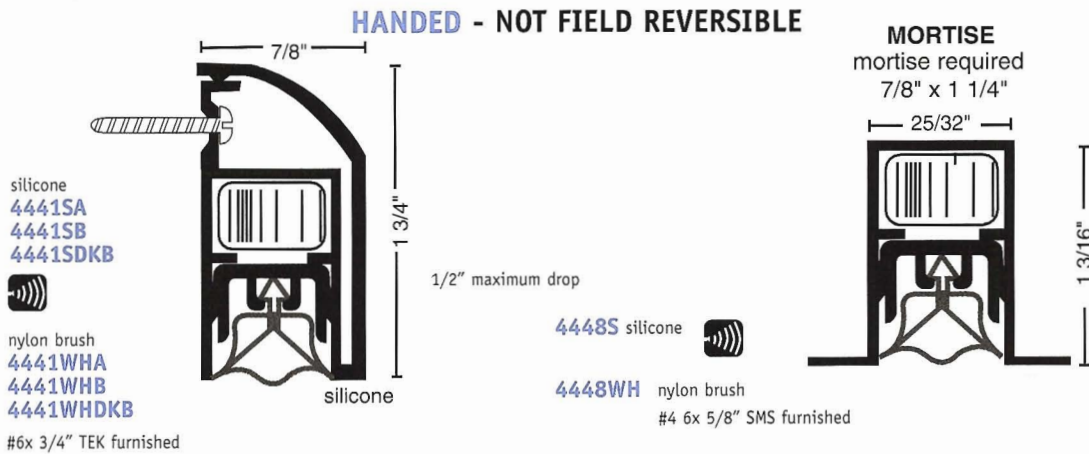
Single Actuated Door Bottom Seal -

Matching design of dual actuated door bottoms

Recommended for use on pairs of doors

(Will also work on single doors)

*Low compression & operating force!
* Concealed fasteners

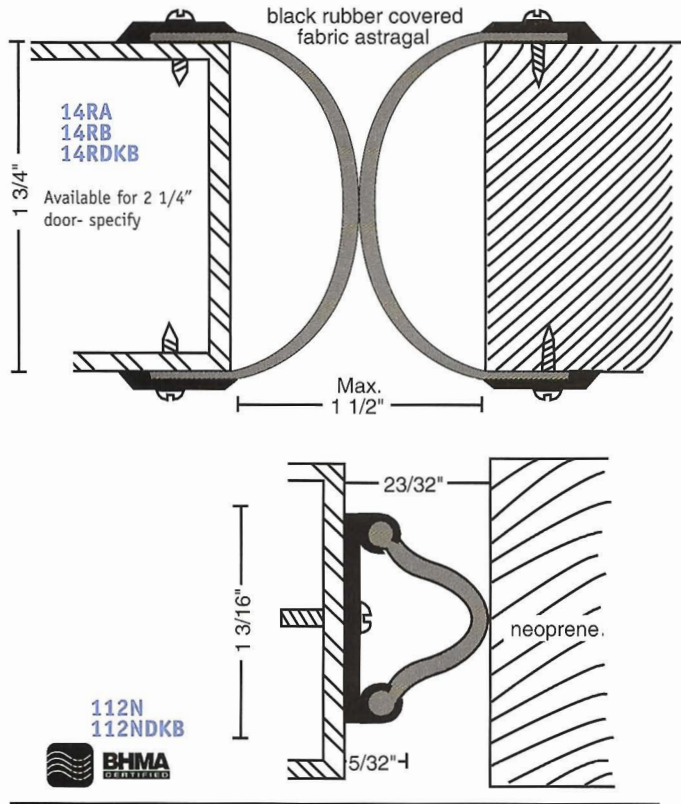


Available in 12" - 96" lengths.

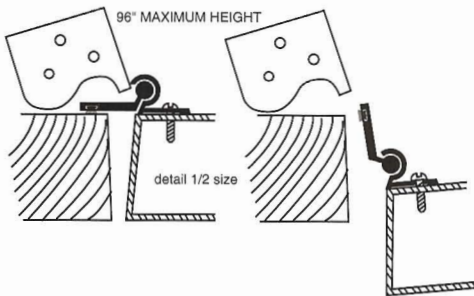
May be cut up to 3" in field

E-mail: ngpinfo@ngpinc.com

www.ngp.com



Security Astragal

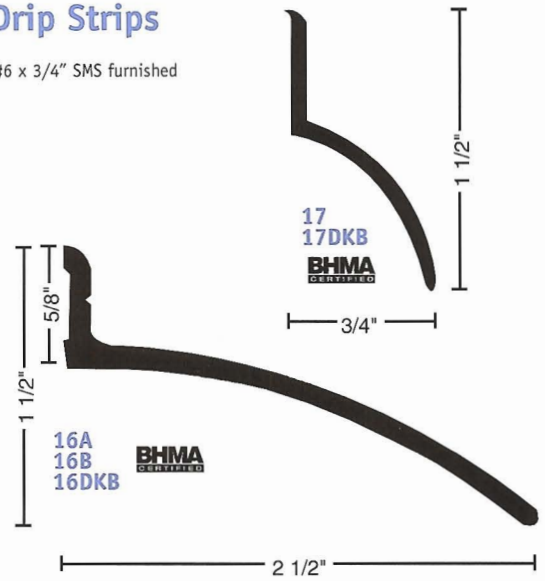


145PA
145PB
145PDKB

Spring loaded protection for pairs of outswinging doors up to 96" in height. Pile insert for weather protection, sturdy aluminum for pry bar protection.

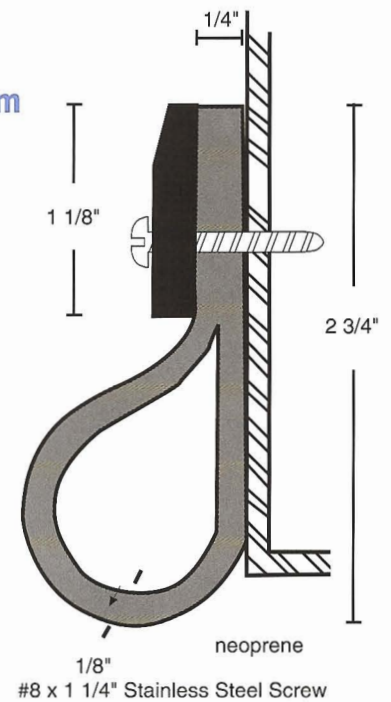
Drip Strips

#6 x 3/4" SMS furnished



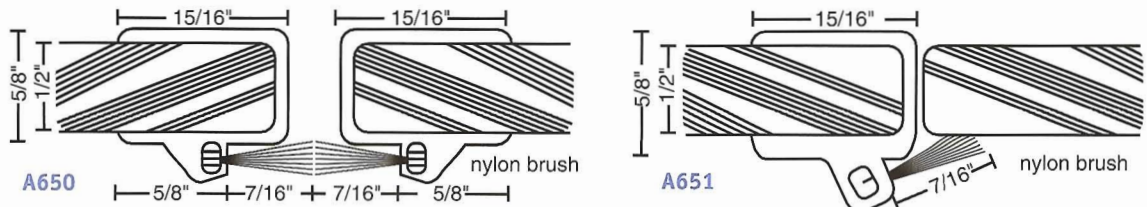
Overhead Door Bottom Seal

81369N
81369NDKB



Glass Door Astragal Seals

Our glass door seal consists of translucent PVC channel and nylon brush for an attractive solution to a difficult problem.



Order as **set** to receive two pieces

Maximum length 120"

E-mail: ngpinfo@ngpinc.com

www.ngp.com

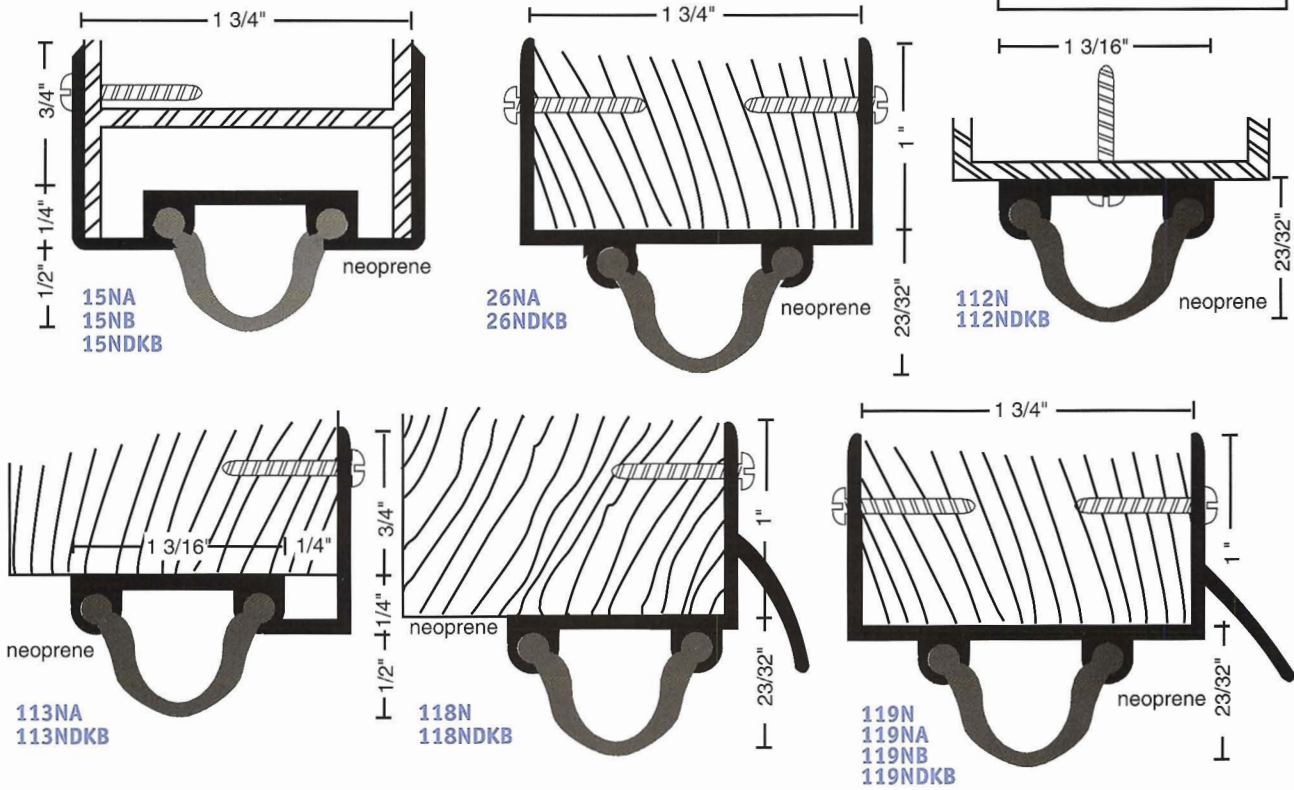
Neoprene Door Shoes

#6 x 3/4" Stainless Steel
SMS furnished

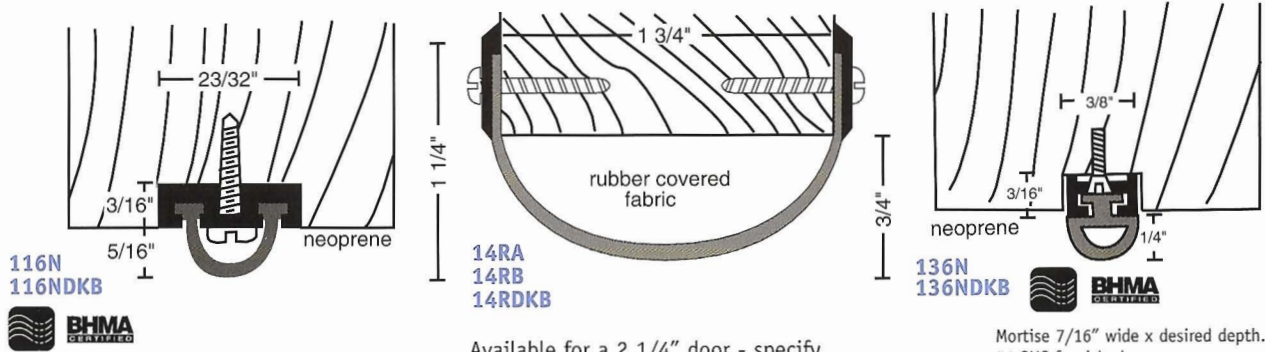
A - clear
B - gold
DKB - dark bronze
neoprene is black

All products
this section:
OK for use on
'S' label doors.



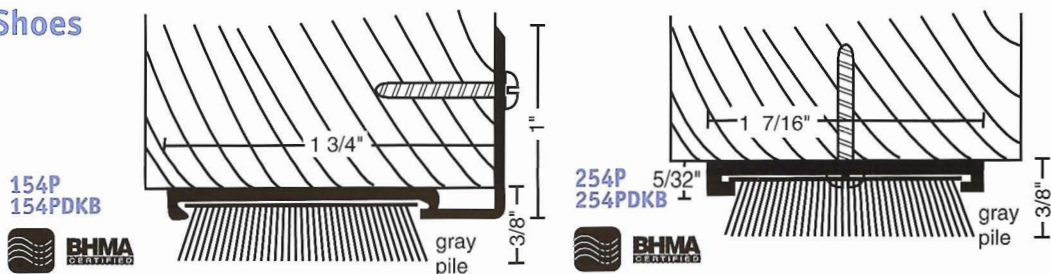


Door Bottom Seals



#6 x 3/4" stainless steel SMS furnished.

Pile Door Shoes



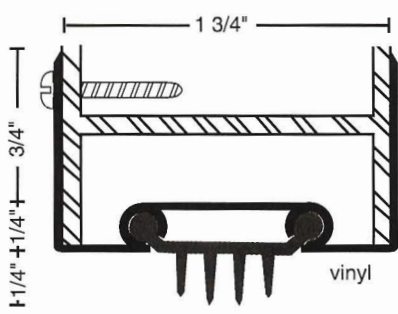
E-mail: ngpinfo@ngpinc.com

www.ngp.com

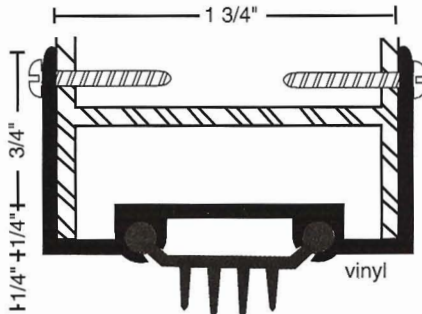
Finned Vinyl Door Shoes

#6 x 3/4" stainless steel SMS furnished.

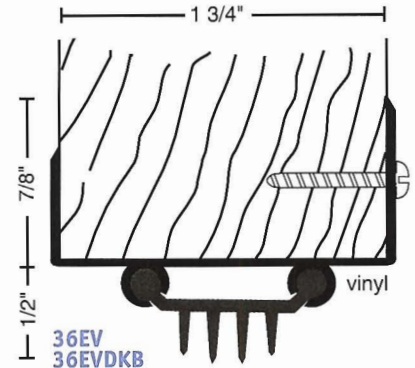
This page OK for use on 'S' label doors.



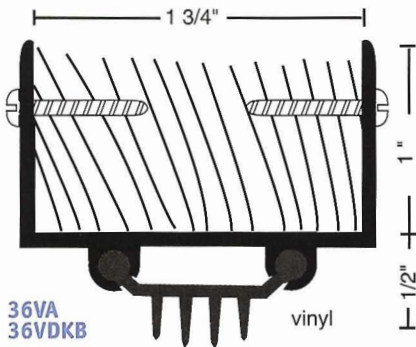
35EV
35EVDKB



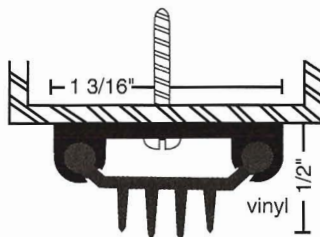
35VA
35VB
35VDKB



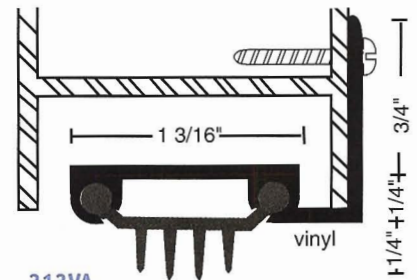
36EV
36EVDKB



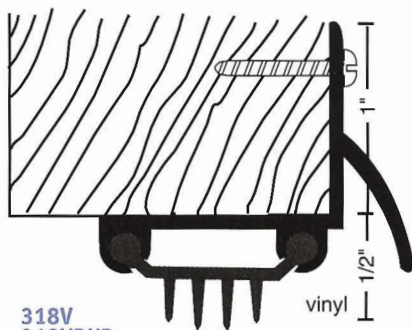
36VA
36VDKB



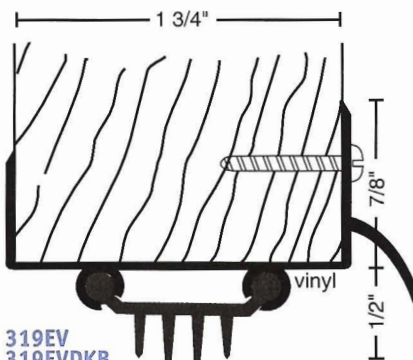
312V
312VDKB



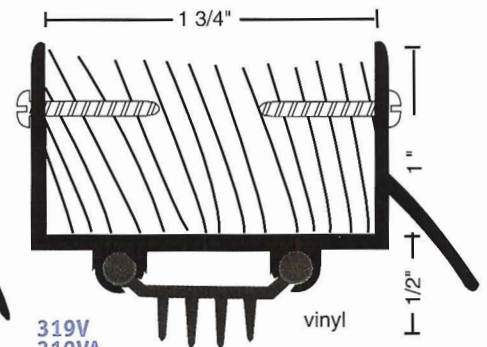
313VA
313VDKB



318V
318VDKB



319EV
319EVDKB



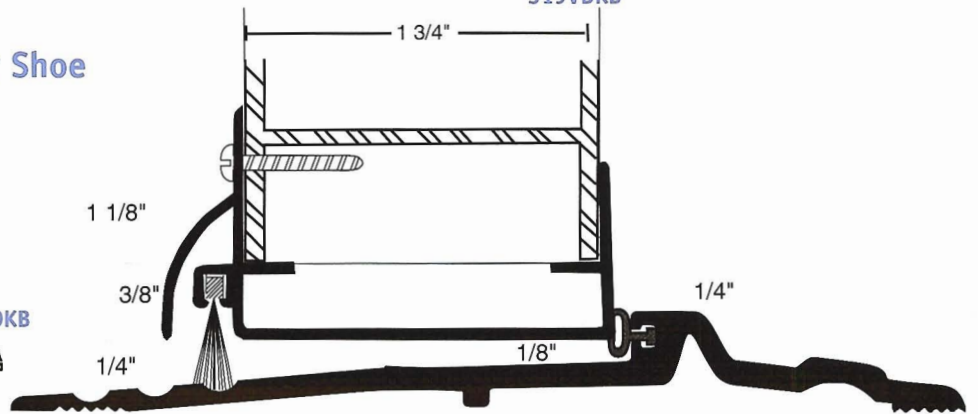
319V
319VA
319VB
319VDKB

Nylon Brush Door Shoe

95WH
95WHDKB



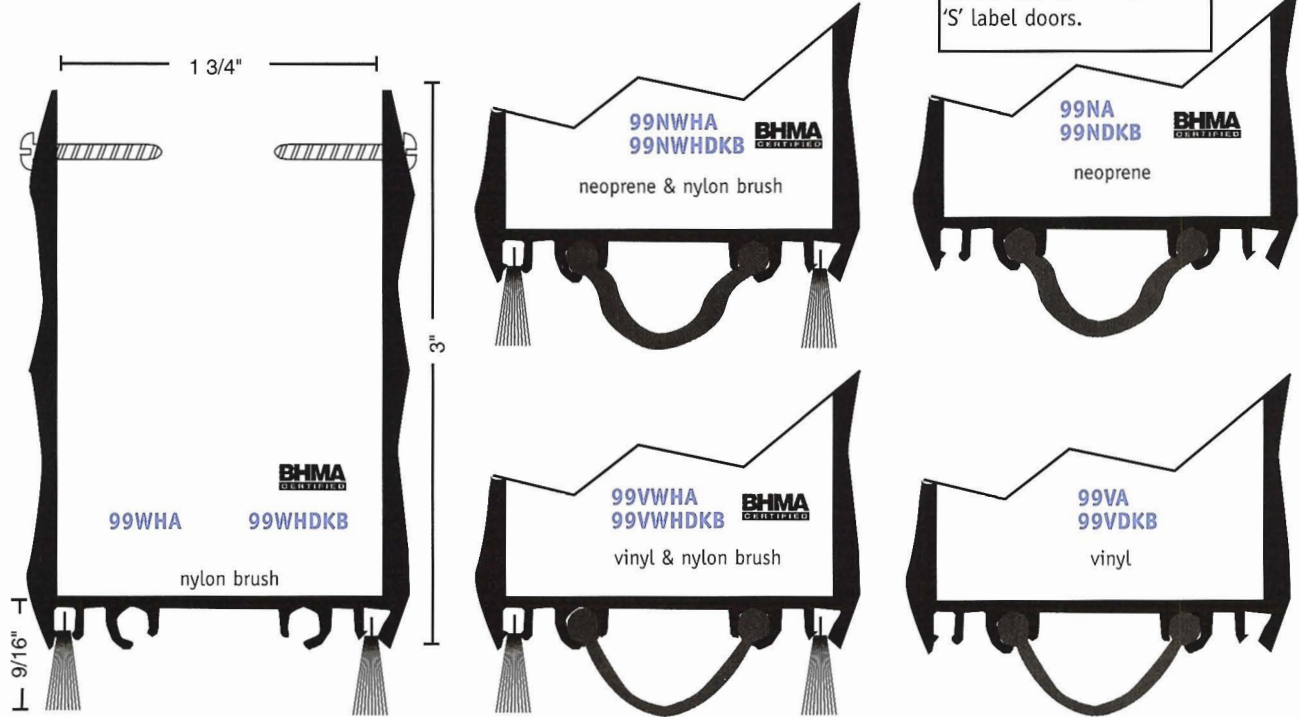
A - clear
B - gold
DKB - dark bronze
vinyl is gray
vinyl on DKB is brown



Designed for use on standard 3/4" undercut door used with NGP 896 ADA compliant threshold as shown

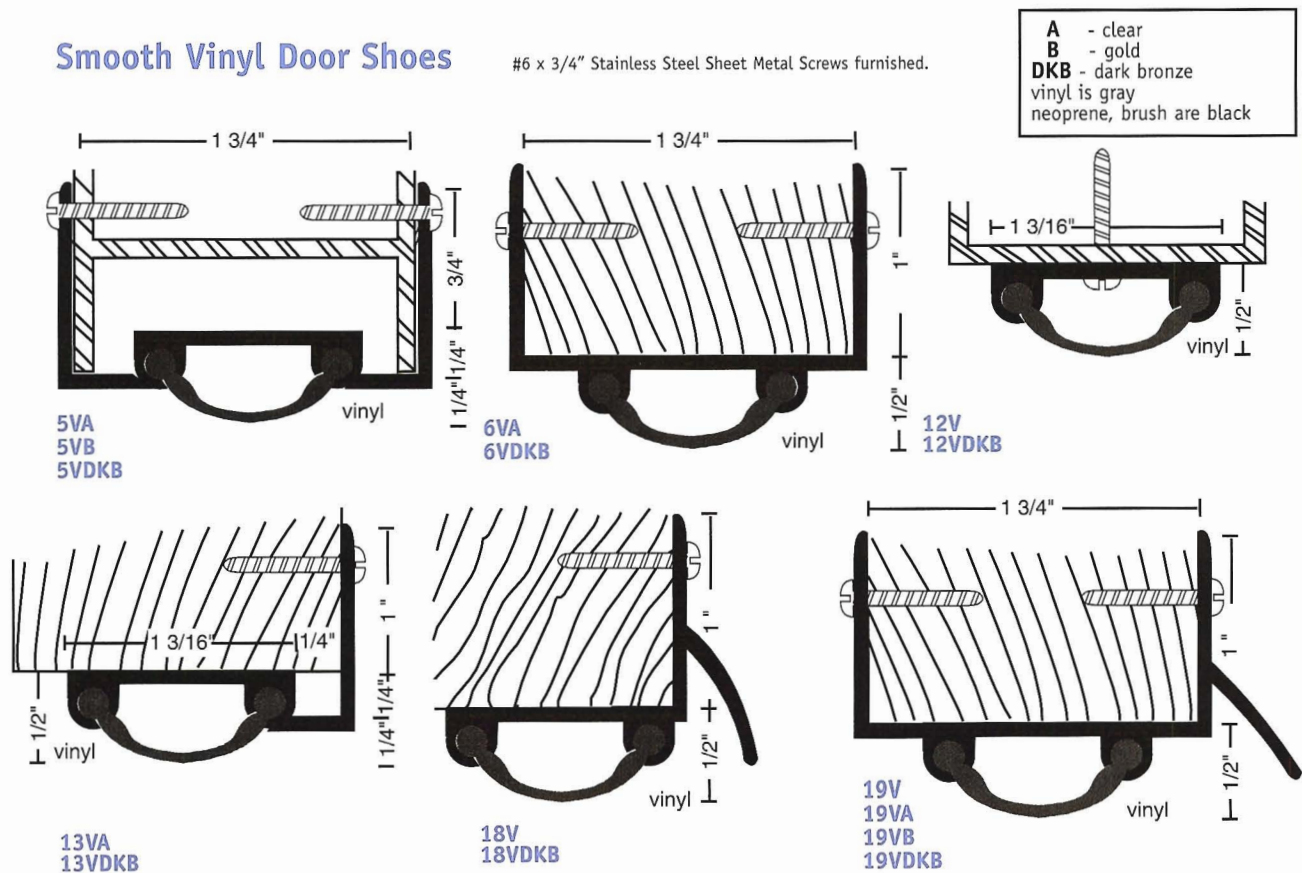
Extended Door Shoes

#6 x 3/4" stainless steel SMS furnished.



Smooth Vinyl Door Shoes

#6 x 3/4" Stainless Steel Sheet Metal Screws furnished.



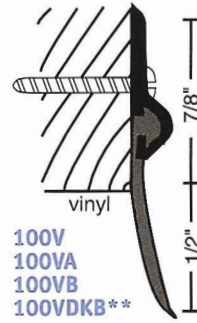
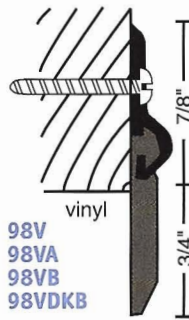
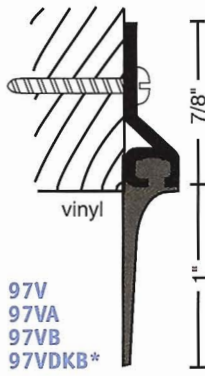
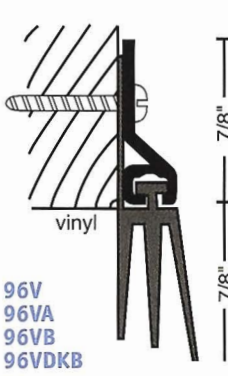
E-mail: ngpinfo@ngpinc.com

www.ngp.com

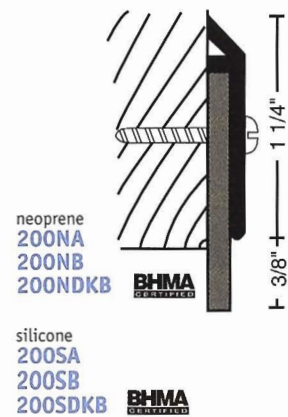
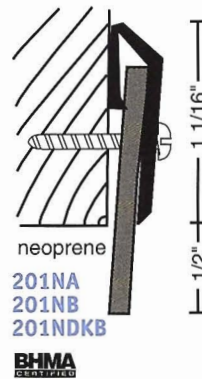
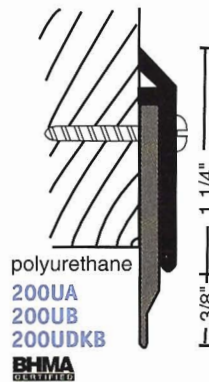
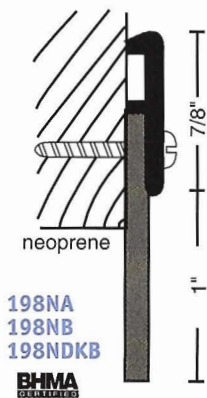
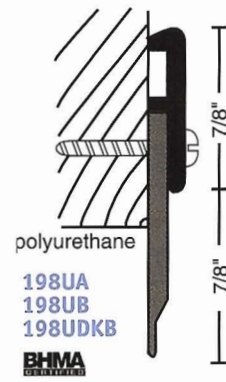
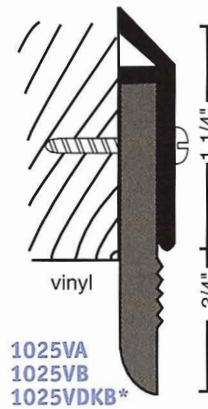
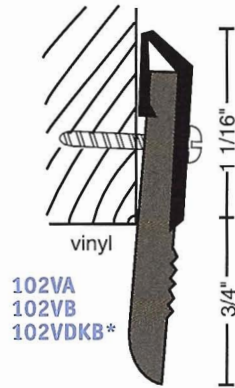
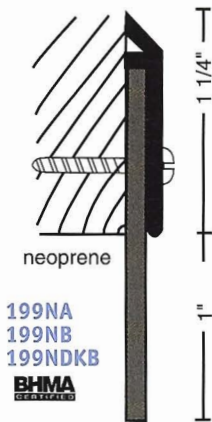
vinyl is gray. Exceptions:
*vinyl is black, ** vinyl is brown

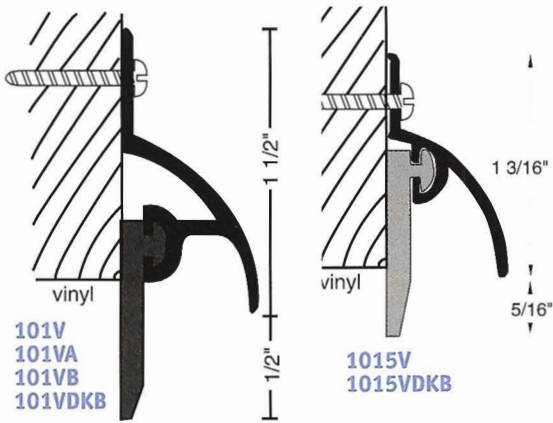
neoprene, polyurethane are black
silicone is gray

#6 x 3/4" stainless steel sheet metal
screws furnished.



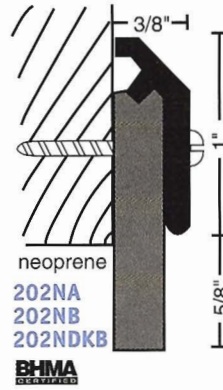
All products
this page:
OK for
use on
'S' label
doors.





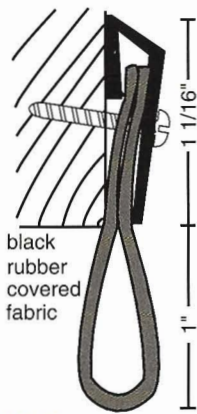
101V
101VA
101VB
101VDKB

1015V
1015VDKB

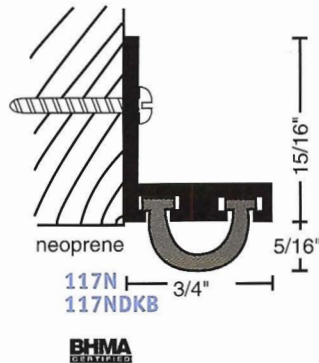


202NA
202NB
202NDKB
BHMA

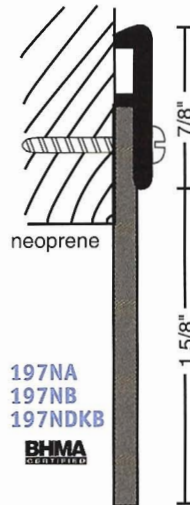
All products this page: OK for use on 'S' label doors.



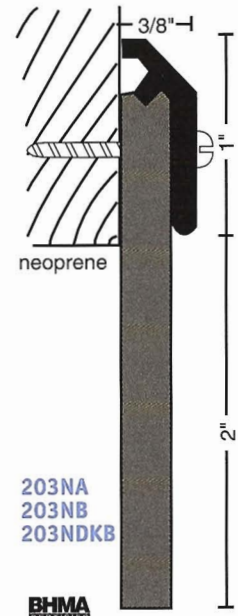
2014A
2014B
2014DKB



117N
117NDKB
BHMA

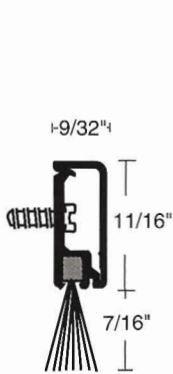


197NA
197NB
197NDKB
BHMA



203NA
203NB
203NDKB
BHMA

Concealed Fastener Nylon Brush Sweeps



672A
672B
672DKB
BHMA



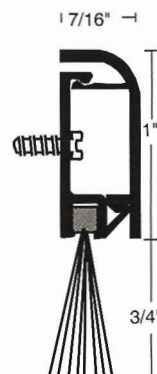
673A
673B
673DKB



674A
674B
674DKB



675A
675B
675DKB
BHMA



678A
678B
678DKB



679A
679B
679DKB

#6 x 3/4" Stainless Steel Sheet Metal Screws furnished.

All products
this page:
OK for use on
'S' label doors.

A - clear
B - gold
DKB - dark bronze
nylon brush is black



Nylon Brush Plus -
Specially formulated to withstand greater temperature extremes while providing maximum protection against air infiltration. Nylon Brush Plus color is Tan.

nylon+

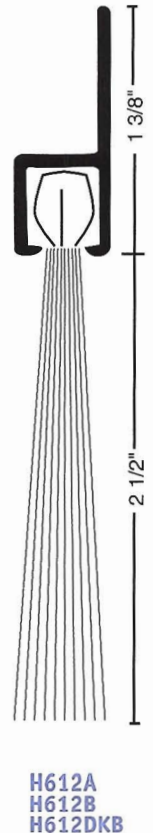
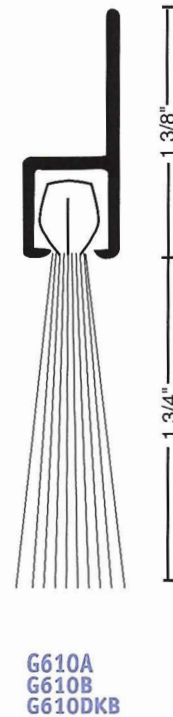
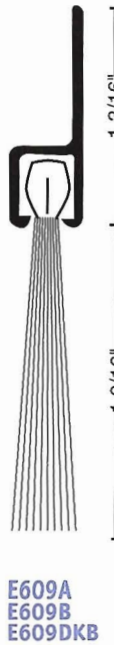
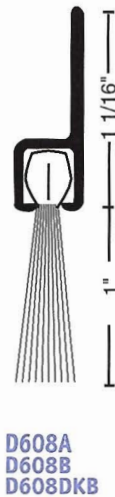
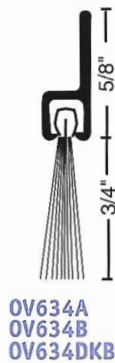
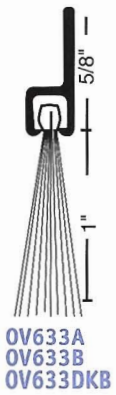
9605A
9605B
9605DKB

BHMA CERTIFIED

nylon+

9600
9600A
9600B
9600DKB

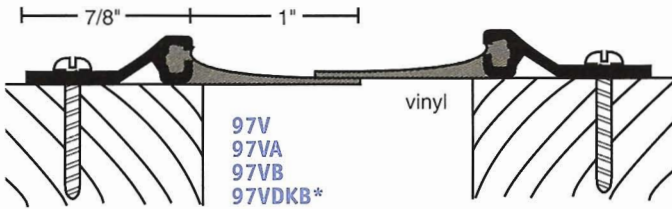
BHMA CERTIFIED



Astragal/Meeting Stile Gasketing

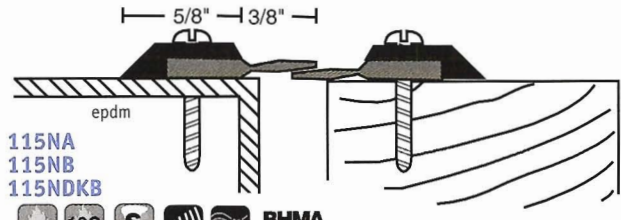
#6 x 3/4" Stainless Steel Sheet Metal Screws furnished.

Fire-rated Astragal Seals cannot replace any astragal required on the door to maintain its fire label. The gap at the latch between fire labeled doors must not exceed 1/8".



97V
97VA
97VB
97VDKB*

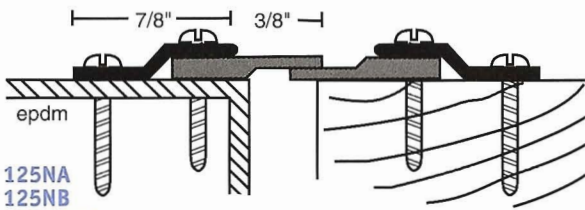
Order as **set** to receive two pieces



115NA
115NB
115NDKB



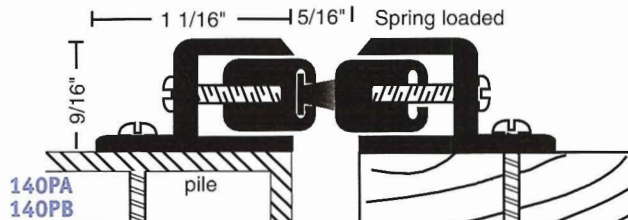
Order as **set** to receive two pieces



125NA
125NB
125NDKB



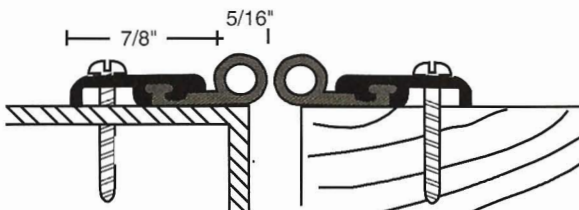
Order as **set** to receive two pieces



140PA
140PB
140PDKB



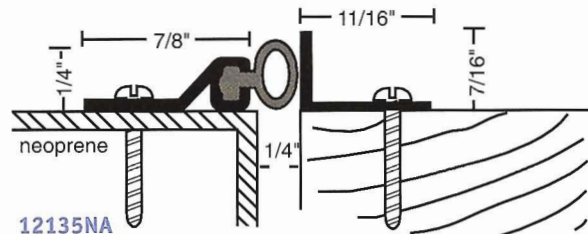
Adjustable Order as **set** to receive two pieces
*up to 3 hrs. metal doors, 20 mins. wood doors



neoprene
137NA
137NB
137NDKB

Order as **set** to receive two pieces

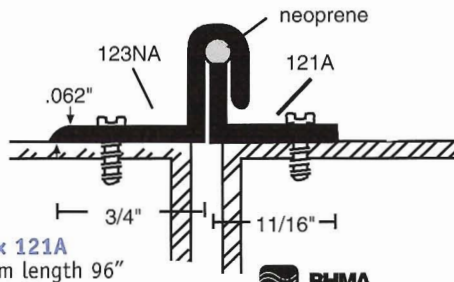
silicone
137SA
137SB
137SDKB



12135NA
Maximum length 96"



A - clear
B - gold
DKB - dark bronze
epdm, pile, silicone, vinyl are grey
*exception vinyl is black
neoprene is black

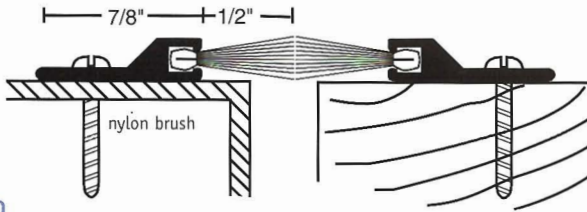


123NA x 121A
Maximum length 96"



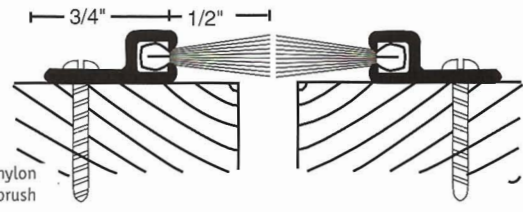
Surface Mounted Astragal Sets

#6 x 3/4" stainless steel SMS furnished.



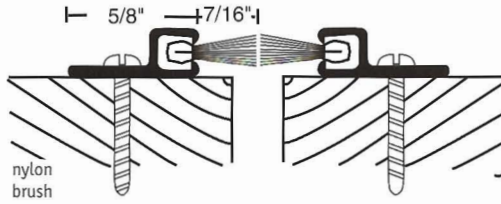
600
600A
600B
600DKB

Order as **set** to receive two pieces



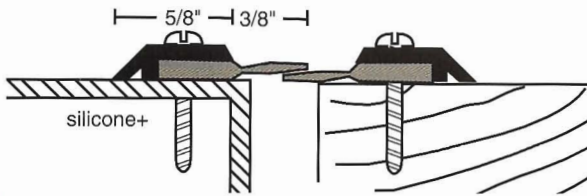
B606A
B606B
B606DKB

Order as **set** to receive two pieces



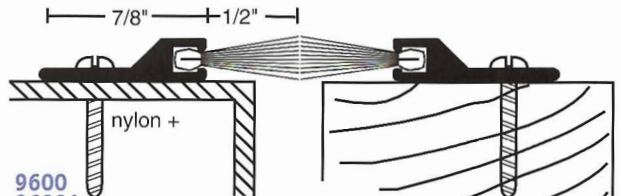
A605A
A605B
A605DKB

Order as **set** to receive two pieces



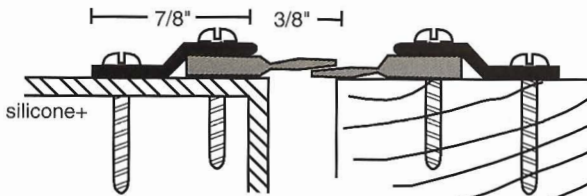
9115A
9115B
9115DKB

Order as **set** to receive two pieces
Silicone + gasket material is tan



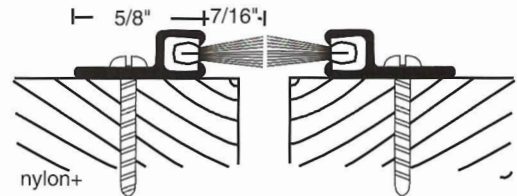
9600
9600A
9600B
9600DKB

Order as **set** to receive two pieces
Nylon brush + color is tan



9125A
9125B
9125DKB

Order as **set** to receive two pieces
Silicone + gasket material is tan



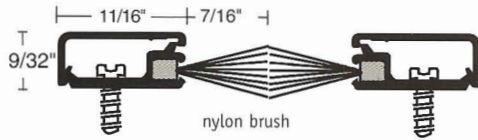
9605A
9605B
9605DKB

Order as **set** to receive two pieces
Nylon brush + color is tan

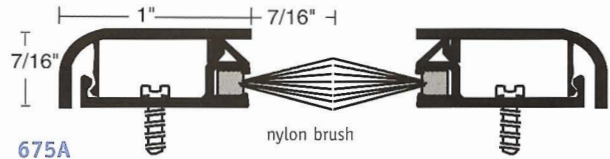


A	- clear	Silicone is gray
B	- gold	Nylon+ is tan
DKB	- dark bronze	Nylon brush is black

Concealed Fastener Astragal Sets



672A
672B
672DKB
Order as **set** to receive two pieces

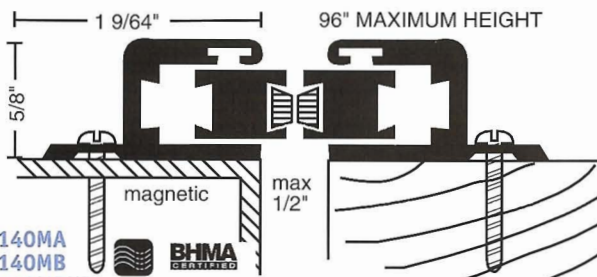


675A
675B
675DKB
Order as **set** to receive two pieces



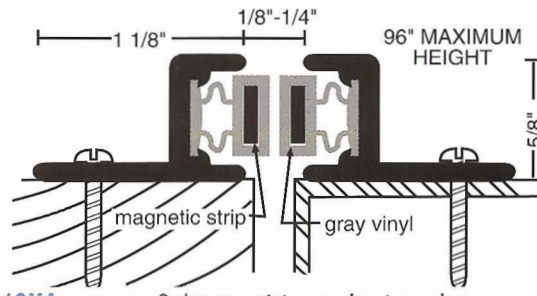
Magnetic Astragals

#6 x 3/4" stainless steel
SMS furnished.

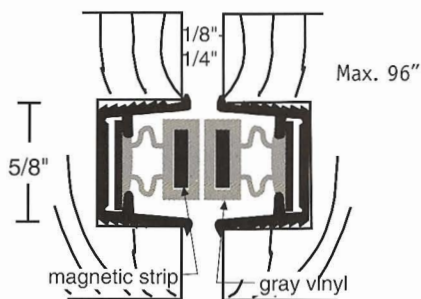


140MA
140MB
140MDKB
Order as **set** to receive two pieces

*Engineered for use on 80" to 96" Doors **only**.

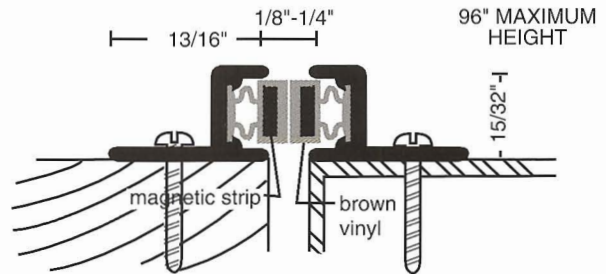


149MA
149MB
149MDKB
Order as **set** to receive two pieces



169MA
Order as **set** to receive two pieces

Mortise dimensions 5/8" wide x 1/2"

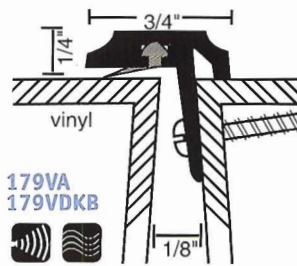
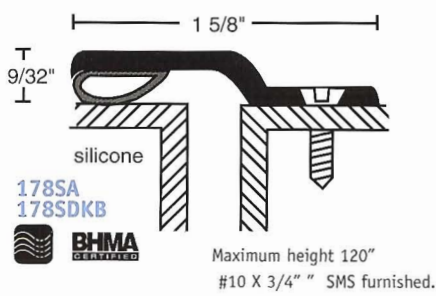
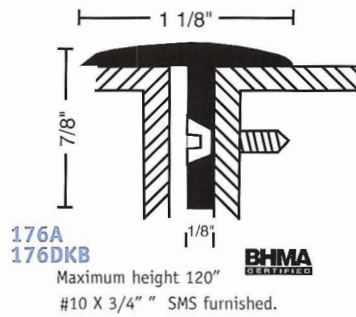
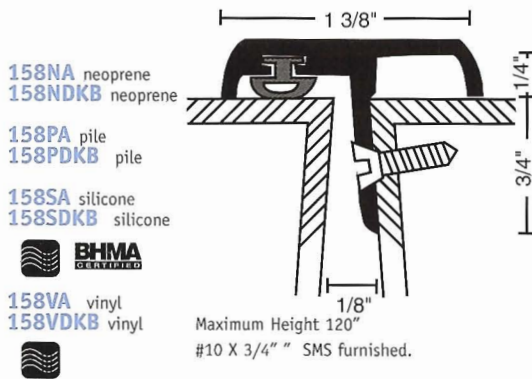
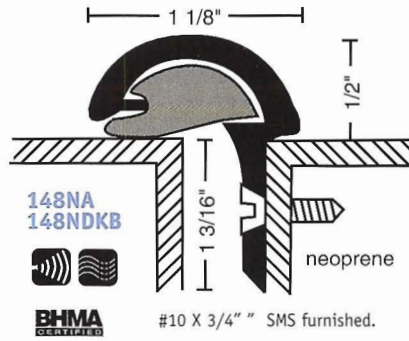
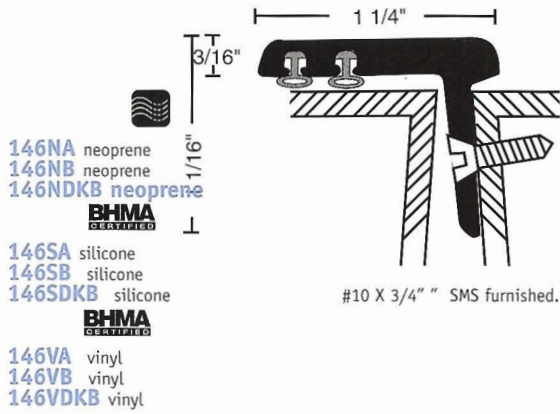
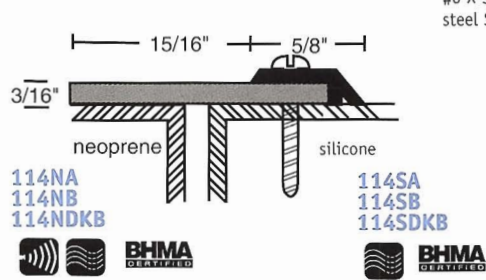
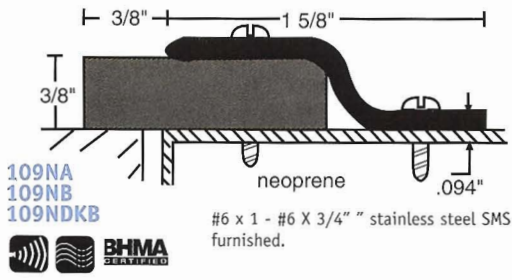


189MA
189MDKB
Order as **set** to receive two pieces



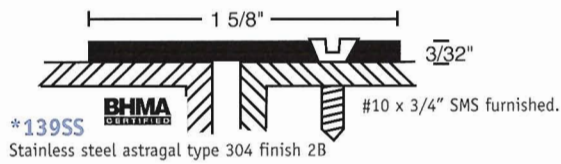
Astragal/Meeting Stile Gasketing

A - clear
B - gold
DKB - dark bronze
vinyl, pile are gray
neoprene, silicone are black

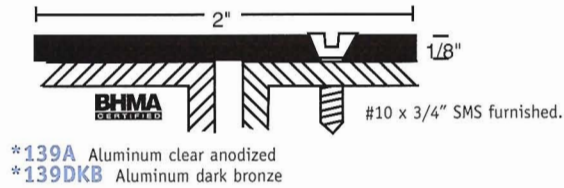


Solid Metal Astragal Seals

Stainless Steel

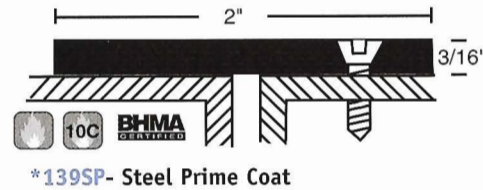


Aluminum



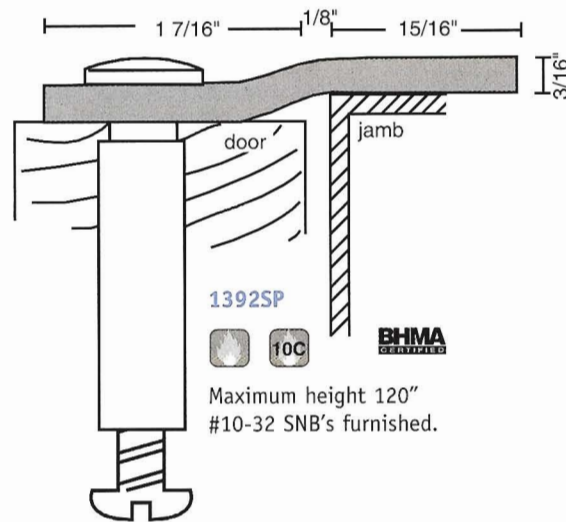
*Available lead-lined suffix - "LD". Also available with SNB's

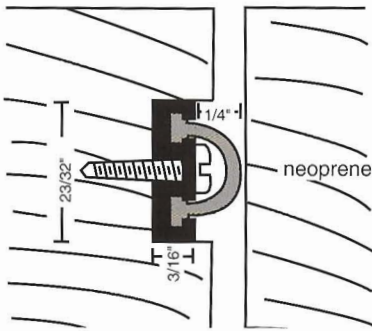
Steel



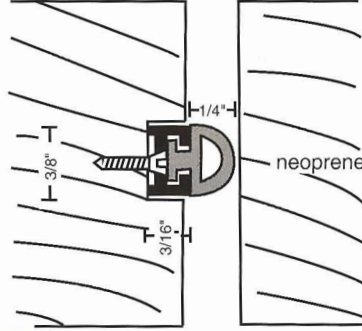
Furnished with #12 x 1 1/4" SMS. Can replace required metal astragal on wood or metal doors. UL, Max gap between doors = 1/8". Astragal must overlap gap and inactive door min. of 3/4".

Steel Security Astragal

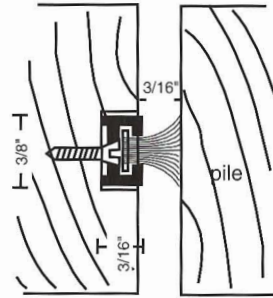




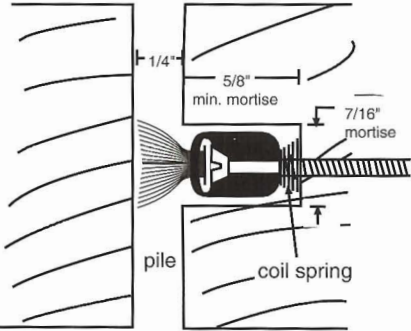
116N
116NDKB Mortise dimensions 3/4" wide x desired depth.
#6 X 3/4" SMS furnished.



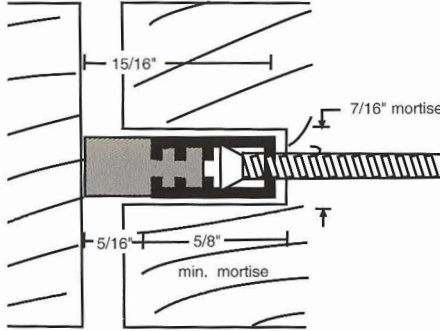
136N
136NDKB Mortise dimensions 7/16" wide x desired depth.
#4 SMS furnished.



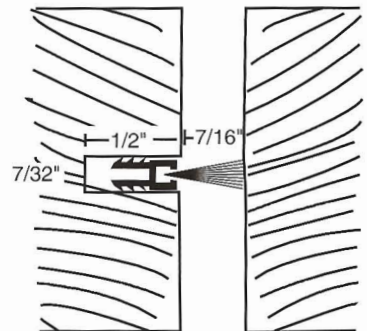
136P
136PDKB Mortise dimensions 7/16" wide x desired depth.
#4 SMS furnished.



143PA
143PB
143PDKB #6 SMS furnished.



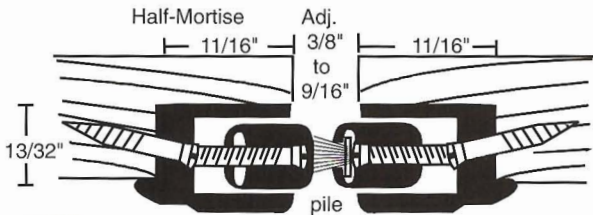
147N neoprene #4 x 1" SMS furnished.



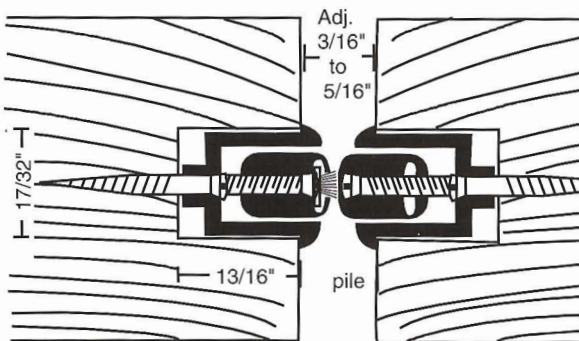
A635



Order as **set** to receive two pieces
Maximum length 108"



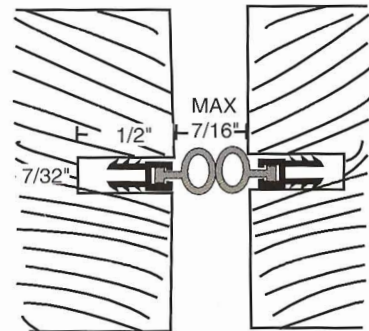
142PA
142PB Spring Loaded
Adjustable - Mortise dimensions 13/32" wide x 11/16".
Order as **set** to receive two pieces



144PA
144PB
144PDKB Spring Loaded
Mortise dimensions 17/32" wide x 13/16".
#8 x 3/4" SMS furnished
Order as **set** to receive two pieces



- 151N** neoprene
- 151S** silicone
- 151V** vinyl
-



Mortise dimensions 7/32" wide x 1/2"
Order as **set** to receive two pieces
Maximum length 108"

pile, vinyl are gray
neoprene, silicone
brush are black

FINGER GUARD

Finger Guard is designed to help prevent injury to children who might place their fingers behind the hinge edge of a door when it is open and suffer great pain and even possible permanent injury to their fingers when the door is closed by another person or a door closer. This unique product features an internal spring mechanism that maintains constant tension against the fabric. This covers the dangerous area behind the edge of the door and prevents fingers from entering.

details not to scale

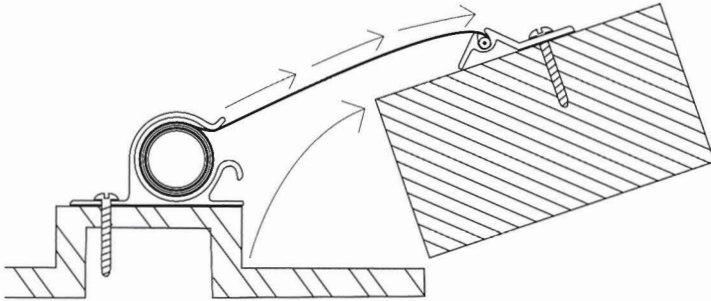
2248A-39" Aluminum clear anodized w/ white polyethylene

2248A-76" Aluminum clear anodized w/ white polyethylene

2248DKB-39" Dark Bronze w/ black polyethylene

2248DKB-76" Dark Bronze w/ black polyethylene

- Durable Aluminum Channel
- Fire Retardant Woven Polyethylene
- 76" full size
- 39" dutch doors
- Ideal for Elderly & Childcare facilities
- 5 Year Warranty



* up to 3 hrs. metal doors,
1 hr. wood doors

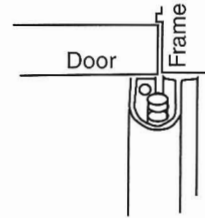
Hinge Side FingerSafe® Guard

2252B Brown

2252C Charcoal

2252W White

- Protects pull side of door edge preventing fingers from injury
- Made of UPVC and nitrile rubber
- Length is 79 3/4"



Fingersafe® is internationally patented

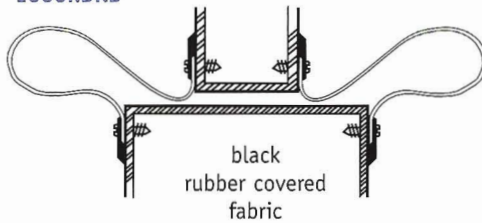
Safety Seal for Double-Acting Doors

Seals and closes gap at heel of double-acting or center pivoted doors.

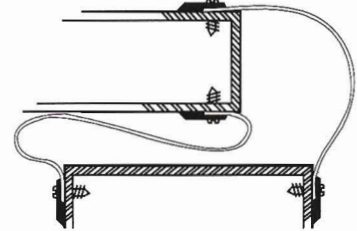
Specify width required 5", 10" or 16" overall widths available

#6 x 3/4" stainless steel sheet metal screws furnished.

1000RA
1000RB
1000RDKB



black
rubber covered
fabric



E-mail: ngpinfo@ngpinc.com

www.ngp.com

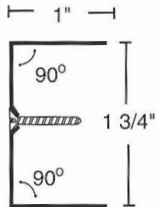
Metal Edges and Astragals

STANDARD FEATURES

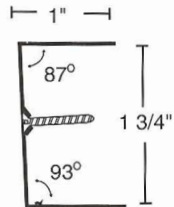
- * 20 ga. cold rolled steel on edges and "Z" astragals
- * 18 ga. cold rolled steel on astragal welded to edges.
- * For 1 3/4" thick doors (inside dimension 1 3/4" actual)
- * #8 x 3/4" Phillips head SMS.
- * Standard finish = Tan (T) powder coat

OPTIONAL FEATURES

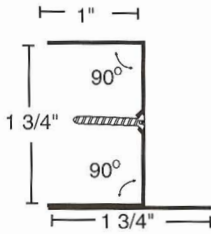
- * #304 Stainless steel, #4 finish (suffix "SS")
 - * Galvanneal
 - * See page L2 for optional finishes
 - * Torx Security Screws
 - * Special door thickness: 1 3/8", 2", 2 1/4"
- NGP Order Form indicating model number, hand, net length, hardware preps, and precise hardware locations must accompany all orders.



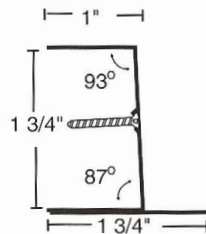
SQUARE EDGE



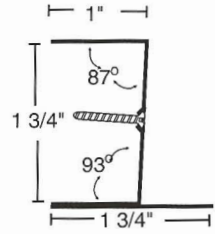
BEVELED EDGE



SQUARE EDGE
ASTRAGAL

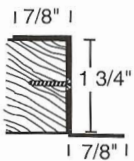


BEVELED EDGE
ASTRAGAL ON
ACTIVE LEAF

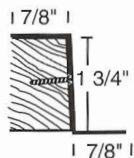


BEVELED EDGE
ASTRAGAL ON
INACTIVE LEAF

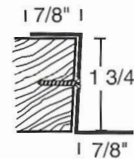
"Z" ASTRAGALS



570 - SQUARE EDGE



572 - BEVELED EDGE
ON ACTIVE LEAF



574 - BEVELED EDGE
ON INACTIVE LEAF

DOOR EDGES



541 - SET SQUARE EDGE



543 - SET BEVELED EDGE



545 - SET PARALLEL BEVEL
FOR DOUBLE EGRESS
DOORS

ASTRAGAL ON ACTIVE LEAF



551* - SET SQUARE EDGE



553* - SET BEVELED EDGE



550* - ASTRAGAL ONLY
SQUARE EDGE



552* - ASTRAGAL ONLY
BEVELED EDGE

ASTRAGAL ON INACTIVE LEAF



561 SET SQUARE EDGE



563 SET BEVELED EDGE



560 - ASTRAGAL ONLY
SQUARE EDGE



562 - ASTRAGAL ONLY
BEVELED EDGE



555 - SET PARALLEL BEVEL
FOR DOUBLE EGRESS
DOORS



UL10B, UL10C Listed complies with UBC 7-2 (1997), IBC
For use on pairs of wood or metal fire-rated doors up to 90 minutes.

* Astragals mounted on active leaf that are prepped for a lockset will be notched for the strike lip, unless otherwise specified

ORDER FORM FOR METAL EDGES/ASTRAGALS

Astragal on Active Leaf

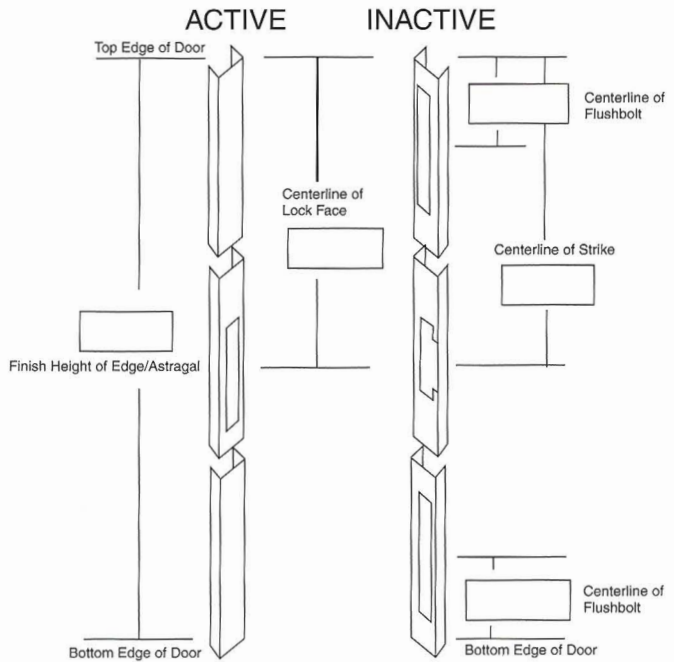
Astragal on Inactive Leaf

<input type="checkbox"/> INACTIVE	<input type="checkbox"/> ACTIVE	<input type="checkbox"/> ACTIVE	<input type="checkbox"/> INACTIVE
___ RHR ACTIVE (OUTSWING) Qty.	___ LHR ACTIVE (OUTSWING) Qty.	___ RH ACTIVE (INSWING) Qty.	___ LH ACTIVE (INSWING) Qty.
<input type="checkbox"/> ACTIVE	<input type="checkbox"/> INACTIVE	<input type="checkbox"/> INACTIVE	<input type="checkbox"/> ACTIVE
___ LH ACTIVE (INSWING) Qty.	___ RH ACTIVE (INSWING) Qty.	___ LHR ACTIVE (OUTSWING) Qty.	___ RHR ACTIVE (OUTSWING) Qty.

<input type="checkbox"/> INACTIVE	<input type="checkbox"/> ACTIVE	<input type="checkbox"/> ACTIVE	<input type="checkbox"/> INACTIVE
___ RH ACTIVE (INSWING) Qty.	___ LH ACTIVE (INSWING) Qty.	___ LHR ACTIVE (OUTSWING) Qty.	___ RHR ACTIVE (OUTSWING) Qty.
<input type="checkbox"/> ACTIVE	<input type="checkbox"/> INACTIVE	<input type="checkbox"/> INACTIVE	<input type="checkbox"/> ACTIVE

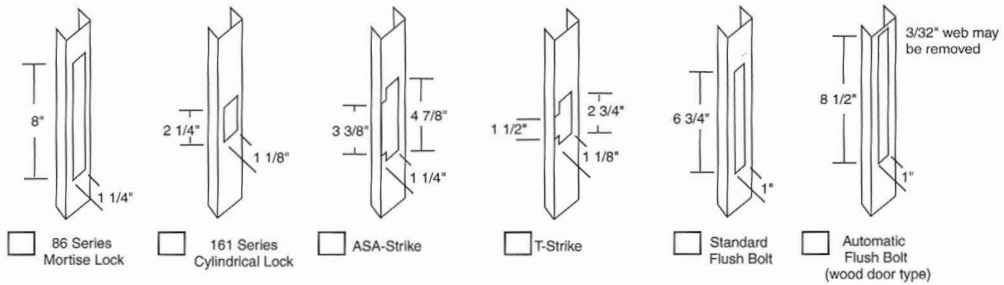
National Guard Products, Inc.
1-800-647-7874
Fax 1-800-255-7874

Customer Name
Date:
PO#
Job Name
Model Number
Finish
Signature



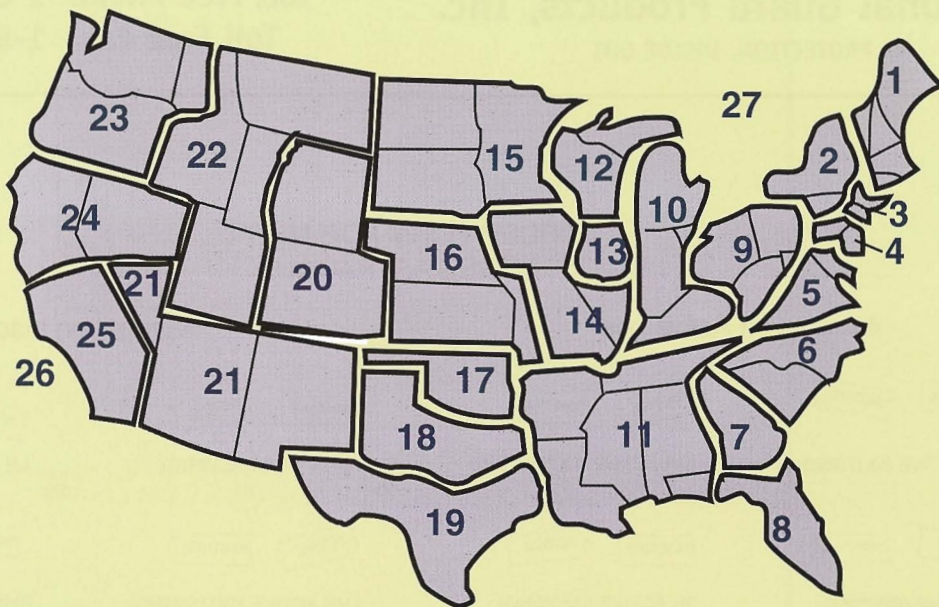
- Please complete:
1. Quantity for each hand
 2. Fill in measurements
 3. Select Machining Specification.

Standard Machining Specifications



E-mail: ngpinfo@ngpinc.com

www.ngp.com



Corporate Headquarters
 PO Box 753430 (38175)
 4985 E. Raines Rd.
 Memphis, TN 38118

Sales Representatives

1. Security & Safety Consultants of New England
 PO Box 801
 77 Wexford St.
 Needham Heights, MA 02494
 PH: (781) 449-2860
 FAX: (781) 449-5734

2. Dugan Associates
 6800 Pittsford-Palmyra Rd.
 Ste 330
 Fairport, NY 14450
 PH: (585) 233-4204
 FAX: (585) 223-6461

3. Paul J. Polke Company
 158 River Road
 Clifton, NJ 07014
 PH: (212) 732-3139(NYC)
 (973) 777-7500 (NJ)
 (800) 526-1179
 FAX: (973) 777-0820

4. Mid-Atlantic Agents, Ltd.
 109 John Robert Thomas Dr.
 Exton, PA 19341
 PH: (610) 363-7611
 FAX: (610) 363-8752

5. Frazier Commercial Sales
 23500 Rolling Fork Way
 Gaithersburg, MD 20882
 PH: (301) 482-2277
 FAX:(301) 482-2410

6. D.H. Bruch Marketing, Inc.
 352 Crompton Street
 Charlotte, NC 28273
 PH: (704) 588-5214
 FAX: (704) 588-6444

7. Phillips-Langley Associates, LLC
 3585 Lawrenceville-Suwanee Rd., Ste 401-A
 Suwanee, GA 30024
 PH: (770) 614-0630
 FAX: (770) 614-0680

8. Architectural Marketing Associates
 1225 Bennett Drive, Ste 133
 Longwood, FL 32750
 PH: (407) 767-9540
 FAX:(407) 339-1358

9. Barrett Group, Inc.
 6170 Centre Park Drive
 West Chester, OH 45069
 PH: (513) 779-9350
 (800) 735-7923
 FAX: (513) 779-1410

10. Hardware Agents
 1500 E. Beltline SE, Ste 120
 Grand Rapids, MI 49506
 PH: (616) 285-9071
 FAX: (616) 285-9081

11. Crenshaw Sales
 PO Box 46
 LaGrange, TN 38046
 PH: (901) 878-1239
 FAX: (901) 878-1269

12. Donald A. Loss & Assoc.
 3603 West Oklahoma Ave.
 Milwaukee, WI 53215
 PH: (414) 384-4448
 FAX: (414) 384-5577

13. Life Safety Hardware Consultants
 908 Huntsmoor Drive
 Frankfort, IL 60423
 PH: (815) 464-1155
 FAX: (815) 464-1177

14. D.L. Neuner Co., Inc.
 1520 South Hanley Road
 St. Louis, MO 63144
 PH: (314) 781-6700
 (800) 775-9455
 FAX: (314) 781-6767

15. Combs & Associates, Inc.
 6190 Olson Memorial Highway
 Golden Valley, MN 55422
 PH: (763) 746-3666
 FAX: (763) 746-3669

16. Patterson Sales
 1966 Linn Street
 North Kansas City, MO 64116
 PH: (816) 221-3322
 FAX: (816) 221-5566

17. D.L. Collins Associates
 2738 NW 19th
 Oklahoma City, OK 73107
 PH: (405) 949-0595
 FAX:(405) 949-0584

18. D. L. Collins Associates
 2231-A Michigan Ave.
 Arlington, TX 76013
 PH: (817)-461-1055
 FAX: (817) 795-1845

19. D.L. Collins Associates
 10510 Desert Springs Circle
 Houston, TX 77095
 PH: (281) 373-0494
 FAX: (281) 304-7819

20. R.J. Porter And Associates
 PO Box 15504
 Lakewood, CO 80215
 PH: (303) 233-0100
 FAX: (303) 972-7897

21. Security Hardware, Inc.
 PO Box 55777
 14620 N. Cave Creek Rd., Ste 9
 Phoenix, AZ 85022
 PH: (602) 494-3235
 FAX: (602) 494-3236

22. Security & Safety Consultants Mountain States
 300 Mercer Way
 Salt Lake City, UT 84115
 PH: (801) 401-5400
 FAX: (801) 401-5401

23. Pro-Spec Agency
 12825 NE 126th Place
 Kirkland, WA 98015
 PH: (425) 821-8863
 FAX: (425) 821-8385

24. R.P. Boxman & Associates
 3942 Valley Ave., Ste. B
 Pleasanton, CA 94566
 PH: (925) 846-5960
 FAX: (925) 846-5952

25. Security Hardware
 2367 W La Palma Ave
 Anaheim, CA 92801
 PH: 714-490-2000
 Fax: 714-490-2010

26. Donald Tucker, Int'l Rep
 348 Amador Avenue
 Ventura, CA 93004
 (PO Box 4470, 93007)
 PH: (805) 659-1232
 FAX: (603) 853-2599

27. Canadian Distribution Center K.M. Thomas Co. Ltd.
 360 Carlingview Drive
 Toronto, ON M9W 5X9
 PH: 416-798-0611
 FAX: 416-798-1349

copyright 2004 NGP

Protection, Inside Out