





Mechanical Door Closers

DOR-O-MATIC®
Door Hardware Made Easy!



COMMON APPLICATIONS

	Series	Duty	Applications
	SC70 Series	Heavy	Commercial / Exterior Door Commercial / Interior Door Aluminum Store Front
	SC80 Series	Medium	Commercial / Exterior Door Commercial / Interior Door Aluminum Store Front
	SC60 Series	Light-Medium	Commercial / Exterior Door Commercial / Interior Door Aluminum Store Front
	SC90 Series	Light	Commercial / Interior Door Aluminum Store Front
	SC R85 Series	Residential-Light	Commercial / Interior Door Residential
	OHC100 Series	Medium	Aluminum Store Front Retail

HOW TO ORDER

	Cylinder	Size	Finish	Arm Type	Accessories
SC70 Series	STD	1-6	Aluminum	Rw/PA	Plate, SC70-18
			Dark Bronze	HD	Plate PA, SC70-18PA
			Brass	DS	Offset PA Shoe, SC70-62A
				HO/DS	

	Cylinder	Size	Cover	Finish	Arm Type	Accessories
SC80 Series	STD	1-4 (SC81)	Full	Aluminum	Rw/PA	Plate, 4345
	DEL	2-5 (SC80)	Slim	Dark Bronze	Hw/PA	Plate PA, 4348
				Brass	HD	
					DS	
					HO/DS	

	Cylinder	Size	Cover	Finish	Arm Type	Accessories
SC60 Series	STD	1-4 (SC61)	Slim*	Aluminum	Rw/PA	Plate, 4327
	DEL*	2-5 (SC60)	Less	Dark Bronze	Hw/PA*	Plate PA, 4357
		4 (SC64)		Brass*	HD*	
		5 (SC65)			DS *	
					HO/DS*	

* Not available on SC64 and SC65

	Cylinder	Size	Finish	Arm Type	Accessories
SC90 Series	STD	1 (SC91)	Aluminum	Rw/PA	Plate, 4327**
		3 (SC93)*	Dark Bronze	Hw/PA*	Plate PA, 4357**
		4 (SC94)	Brass		

*SC93 not available with backcheck or Hw/PA arm.

** Available only for SC94

	Cylinder	Finish
SC R85 Series	STD	Ivory
	HO	Dark Brown

	Cylinder	Size	Arm Type	Arm Finish	Accessories
OHC100 Series	STD	90°	S (Side Load Arm)	Aluminum	FB Bracket
	HO	105°	A (End Load Arm) VO (Offset Arm and Track)	Dark Bronze	GE Pivot* DP Pivot*

*Not available with VO Arm Type

Mechanical Door Closers

The Dor-O-Matic name carries a long-standing tradition of value and dependability. In 1997, IR acquired Dor-O-Matic and reinforced the company's operational and logistical strengths. Because we are one of the companies that comprise IR Security and Safety, Dor-O-Matic hardware can be integrated with a wide range of world-class IR products to meet your specific application requirements. Dor-O-Matic will continue its commitment to make its products:

- ✓ **Easy To Stock**
- ✓ **Easy To Sell**
- ✓ **Easy To Grow**

What is the Mechanical Door Closer Series?

The Dor-O-Matic SC (surface closer) Series and OHC (overhead concealed) Series Mechanical Closers are designed to meet the most common installation and application requirements in the commercial marketplace and, in some cases, provide an identical footprint which makes renovation and retrofit work very easy. They meet the needs of those customers who value reliable door control products, excellent service, and superior logistical support. The Dor-O-Matic product line is committed to offer solutions for the dynamic commercial needs.

Where can I use the Mechanical Closers?

They are designed for renovation, retrofit and new construction projects in a wide variety of applications:

- Office buildings
- Shopping centers
- Multifamily housing
- Government facilities
- Automotive centers
- Professional offices
- Public housing
- Tenant entry doors
- Assisted living facilities
- Materials warehouses
- Religious buildings
- Restaurants
- Educational facilities
- Hotel guest rooms
- Manufacturing facilities

What are the benefits of selecting Dor-O-Matic door closers?

Dependable door control

- Two separate hydraulic valves control the closing motion of the door.
(SC R85 has only one control valve)
- Latching force of closers can be increased by moving the pivot point of the regular arm shoe when applicable.
- The operating swing of the door is controlled with a separate adjustable backcheck function on the SC60, SC70, SC80 and SC94 series.

Easy to install in most common mounting conditions for SC Series closers (excludes SC R85)

- Complete, ready to mount in the installer's choice of hinge side, top jamb or parallel arm configuration on either right or left-hand swinging doors.
- Provided with fasteners for wood, hollow metal and aluminum doors and frames.
- Thru bolts available for installations on hollow core, 1 3/4" thick doors.
- Can be templated to allow a full 180° opening swing (Frame and trim permitting).
- Fit the 1 3/4" face frames and narrow top rails common on many aluminum storefront doors.
- Consistent closing times over temperatures ranging from 120°F (49°C) to 10°F (-12°C).

Cross Reference by Application

Dor-O-Matic	SC71 ¹	SC80 ² , SC81 ²	SC60 ³ , SC61 ³	SC94, ⁴ SC91
Norton	7500 ¹ /7700 ¹	P8300 (P8500) ²	P1600BC ³	P9304BC ⁴
Yale	P400	P3300 (P3500) ²	P51BC ³	P2304BC ⁴
Dorma	8916	8606 ²	640BCPA ³	644BCPA ⁴
Corbin		3210M76 (3210)		4604M70
Sargent	351	1250 (1430)		1104BC
Ryobi	D-4550	D-3550	D-1650	

¹ Indicates identical footprint. ² Indicates identical footprint. ³ Indicates identical footprint. ⁴ Indicates identical footprint.

Listing & Certifications

- SC60, SC70 and SC80 series closers are certified to meet the requirements of ANSI/BHMA A156.4, Grade 1.
- SC90 series closers are certified to meet the requirements of ANSI/BHMA Standard A156.4, Grade 3.
- All closers without hold-open arms have been certified by UL and ULC.
- All closers have been certified by UL10C and UBC7.2 (1997) fire test.

Sizing

EXTERIOR (and VESTIBULE) DOOR WIDTH

24" 610mm	30" 762mm	36" 914mm	42" 1067mm
	size 3	size 4	size 5
	→		
		→	
			→

INTERIOR DOOR WIDTH

24" 610mm	34" 864mm	38" 965mm	48" 1219 mm	54" 1372mm
	size 2	size 3	size 4	size 5
	→			
		→		
			→	
				→

NOTE: Size 1 meets ADA accessibility requirements (5 lbs. maximum opening force for interior doors). Please contact customer service for door weight and size limits.

Mechanical Door Closers

SC70 Series

HOW TO ORDER

Specify arm type and finish desired.

SC71	Cylinder	Arm Type	Finish	Fastener Pack
	STD	Regular arm with parallel arm shoe Heavy-duty arm Dead stop arm Hold-open with dead stop arm	Aluminum Dark Bronze Brass	TBWMS

Standard Features

- ANSI/BHMA A156.4, Grade 1
- UL Listed
- ADA compliant
- 1-1/2" diameter piston
- Hinge side, top jamb and parallel arm configuration standard with SC71 Rw/PA
- Adjustable size 1-6
- Single piece cast aluminum body
- Staked valves
- Separate adjustable general speed, latch speed, backcheck and backcheck position
- Non-handed for left and right swinging doors
- Heat treated forged steel piston
- Double heat treated pinion design
- Cover of high impact UL Listed fire retardant plastic that meets UL10C and UBC 72 (1997) fire test
- UL10C Approved All Weather Fluid
- No pressure relief valve
- 10 year warranty

Accessories

Narrow Frame Back Plate (SC70-18)

- Optional 3/16" thick mounting plate available for all arm mountings.
- Available in Aluminum, Dark Bronze and Brass finish.

Narrow Top Rail Drop Plate (SC70-18PA)

- Narrow Top Rail Drop Plate to be used for parallel arm and heavy-duty arm mounts (13 5/8" x 5 1/8").
- Available in Aluminum, Dark Bronze and Brass finish.

Offset PA Shoe (SC70-62A)

- Optional plate that provides the needed clearance not achieved with a standard soffit plate.
- Available in Aluminum, Dark Bronze and Brass finish.

Listings and Certification

The Dor-O-Matic SC71 is UL Approved and compliant with the UL10C and UBC 72 (1997) fire test. Additionally the SC71 is designed to meet the American Disabilities Act (ADA) and ANSI A117.1 Sec. 404.2.9. The SC71 is ANSI/BHMA A156.4, Grade 1 certified.

COMPETITIVE CROSS REFERENCE

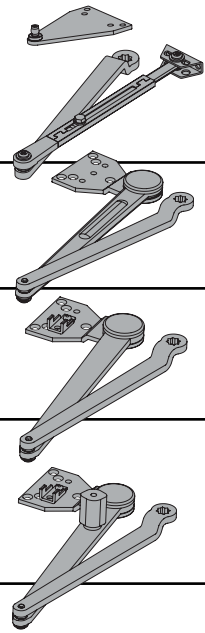
Dor-O-Matic	Norton	Sargent	Yale	Dorma	Ryobi
SC71 Rw/PA	7500 / 7500BF	351-O	P400	8916PA	D-4550
SC71 HD	PR7500 / PR7500BF	351-P10	PR400	8916SPA	D-4550 EDA
SC71 DS	CLP7500 / CLP7500BF	351-PS	4420	8916DS	D-4550 S
SC71 HO/DS	CLP7500T / CLP7500BFT	351-PSH	4420T	8916DSTHO	D-4550 HS



ARM TYPES

All arms made of steel construction

- **Rw/PA** (Regular arm with parallel arm bracket) – Adjustable double arm type that includes a PA shoe for parallel arm mounting. Double arm includes main arm and adjustable slide arm. Allows for 180° door swing when conditions permit.
- **HD** (Heavy duty arm) – Heavy-duty parallel arm mounting ideal for high volume traffic or potentially abusive conditions. Allows for 180° door swing when conditions permit.
- **DS** (Dead stop arm) – Heavy duty, parallel arm includes a positive mechanical stop and non-adjustable forearm assembly for high volume traffic or potentially abusive installation conditions.
- **HO/DS** (Hold-open with Dead stop arm) – Heavy-duty, parallel arm includes a positive mechanical stop and non-adjustable forearm assembly for high volume traffic or potentially abusive installation conditions. Also includes a manually selective thumb turn hold open function. Allows for 90° to 115° hold open in 5° increments.



ACCESSORIES

Narrow Frame Back Plate (SC70-18)

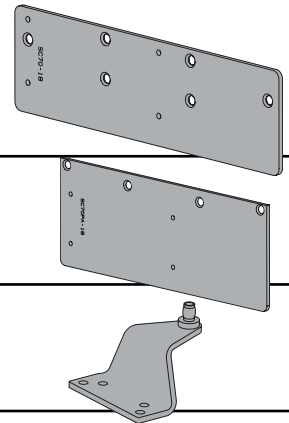
Optional 3/16" thick mounting plate available for all arm mountings. Narrow frame back plate to be used for door mount pull side and top jamb push side mount (13 5/8" x 3 15/16"). Pull side mount requires top rail or 1 7/8", top jamb mount requires minimum face frame of 1 7/8".

Narrow Top Rail Drop Plate (SC70-18PA)

Narrow Top Rail Drop Plate to be used for parallel arm and heavy-duty arm mounts (13 5/8" x 5 1/8"). Should be used on PA mounts with a minimum top rail of 2 1/2".

Offset PA Shoe (SC70-62A)

Optional plate that provides the needed clearance not achieved with a standard soffit plate. This is typically used when an overhead stop/ overhead door holder is required.



GLYNN- JOHNSON OVERHEAD DOOR HOLDERS/STOPS*

81 Series Heavy Duty (Jointed arm design and centered jamb bracket)

- **81H Series Hold-Open** – The hold-open mechanism is selective and may be turned on or off with a simple turn of the thumbturn. In the "off" position, these models act as stops and shock absorbers. In the "on" position, they hold the door open at a preset position between 85° and 110°. The hold-open force is not adjustable in the 81H Series.
- **81S Series Stop-Only** – When the Hold-Open function is not required, the Stop-Only models provide the same effective door control, with the Hold-Open feature. The Stop-Only model may be used on fire doors.

90 Series Heavy Duty (Heavy-duty channel/slide-arm design and offset jamb bracket)

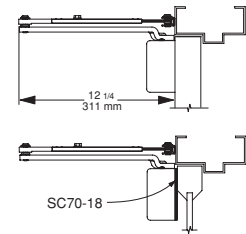
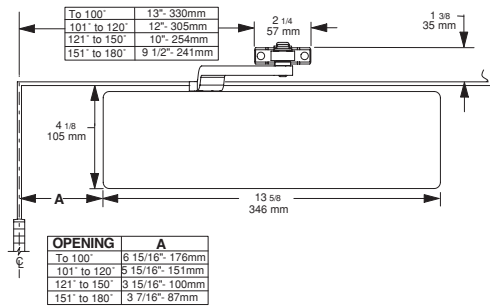
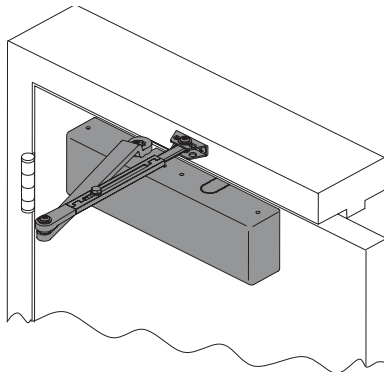
- **90H Series Hold-Open** – The Hold-Open can easily be turned on or off by simply rotating the serrated knob on the bottom of the channel. In the "on" position, they hold the door open at a preset position between 85° and 110°. In the "off" position, these models act as stops and shock absorbers. The tension on the Hold-Open mechanism can be adjusted.
- **90S Series Stop-Only** – When the Hold-Open function is not required, the Stop-Only models provide the same effective door control, with the Hold-Open feature. The Stop-Only model may be used on fire doors.
- **90F Series Friction Hold-Open** – Ideal when multiple hold-open positions required. The friction tension can be adjusted through the top of the channel.
- **90SE Series Special Stop-Only** – When Stop-Only models are used in conjunction with single-point, Hold-Open electronic door closers, the Stop-Only function may be ordered without the shock absorbing mechanism. Caution should be used when selecting this option as the elimination of the shock-absorbing spring can put added stress on the door and frame.

* For technical assistance or to place orders for Glynn-Johnson overhead door holders/stops call (800) 525-0336.

APPLICATIONS / MOUNTING STYLES

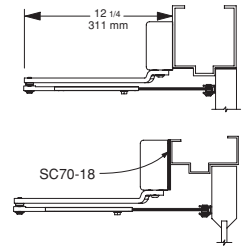
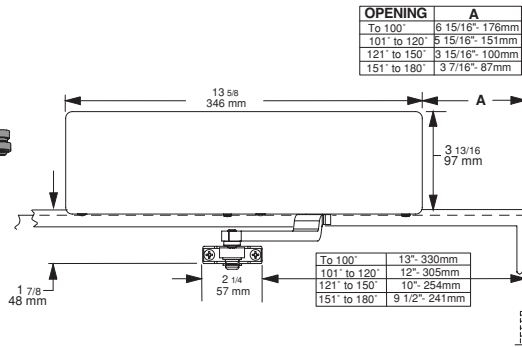
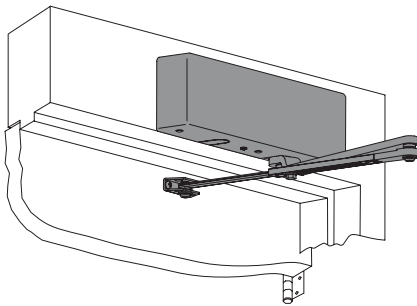
Regular Arm (Pull Side)

This pull side application is also known as Hinge Side mount because the closer is on the same side as the hinges. This type of application will provide the best power efficiency for a door closer. Key things to consider when using this application are; closer projection versus adjacent wall, ceiling clearance, and available door top rail. Regular arm mount requires a SC70-18 drop plate if top rail is less than 3 1/2"



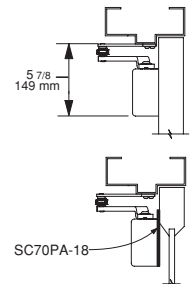
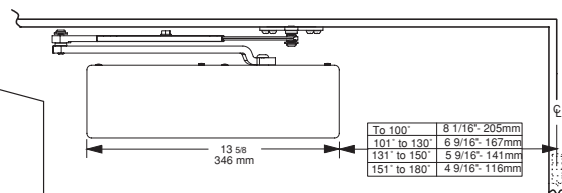
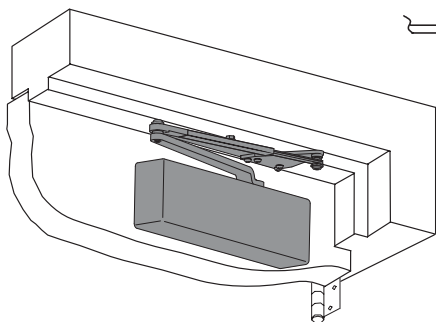
Top Jamb (Push Side)

The push side / top jamb mounting application is when the closer is mounted to the face of the head frame and the arm attaches to the top rail of the door. The closer power efficiency is second to the Pull Side Mount. Key things to consider when using this application are; height of face frame, ceiling clearance, and reveal depth. Top jamb mount required a SC70-18 drop plate if face frame is less than 3 1/8".



Parallel Arm (Push Side)

The Push side mount is when the closer is mounted to the door and the arm attaches to the underside of the head jamb. In the closed position the arm is parallel to the door. With the arm is positioned parallel to the door you are also reducing the potential of vandalism. The power efficiency of this application is lower than Pull or top jamb mount. Key considerations when using this application; door top rail, width of stop, and width of frame. Requires a 5 7/8" top rail when mounting as Rw/PA.



SAMPLE SPECIFICATION FOR LARGE CYLINDER CLOSER

2.01 CLOSERS AND DOOR CONTROL DEVICES

- A. Where manual closers are indicated for doors required to be accessible to the physically challenged, provide adjustable units complying with ANSI A117.1 provisions for door opening force and delayed action closing.
- B. Shall conform to ANSI A156.4, Grade 1, NFPA 80, NFPA 101 and UL10C.
- C. Closers shall be aluminum construction with steel lever arms, independent adjusting valves for closing, latching and back check. Hydraulic regulation controlled by tamper-proof, non-critical screw valves. All closer adjustments shall be shielded by plastic cover plate after installation. Pressure relief valve, PRV, door closers will not be permitted.
- D. Full rack-and-pinion type closer, single piece forged piston, chrome silicon steel spring, non-critical screw valves; backcheck, sweep main speed and latch.
- E. Closers to be non-sized, field adjustable from size 1 to 6.
- F. Furnish all large cylinder non-sized closers with minimum 1 1/2" diameter piston.
- G. Install closers to allow maximum degree of opening, position backcheck to activate well in advance of the stop position to cushion the opening swing and prevent door and frame damage. Do not use door closer to stop door travel. Unless specified, install closers with thru bolt mounting method on metal and wood doors. Do not thru bolt if there has been special blocking specified in the wood door specification. Coordinate with the wood door specification.
- H. Available Manufacturers:
Subject to compliance with requirements, manufacturers offering products that may be incorporated in the Work include:

Dor-O-Matic	Norton	Sargent	Yale	Dorma
SC71 Rw/PA	7501	351-O	P400	8916PA
SC71 HD	PR7500	351-P10	PR400	8916SPA
SC71 DS	CLP7500	351-PS	4420	8916DS
SC71 HO/DS	CLP7500T	351-PSH	4420T	8916THO

Mechanical Door Closers

SC80 Series



How to Order

Identify the desired closer size, cylinder function, cover option, arm option, fastener pack and finish.

Size	Cylinder	Covers	Arms	Fastener Pack	Finishes
1-4 (SC81)	DEL	Full	Hw/PA	TBWMS	DKBRZ
2-5 (SC80)	STD	Slim	Rw/PA DS HO/DS HD		ALUM BRASS

Installation Accessories

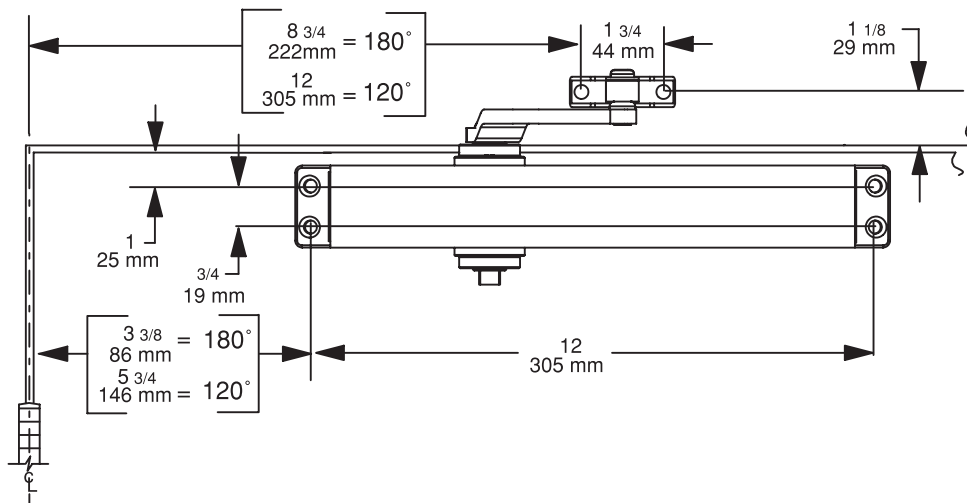
Part No.	Description	Finishes
4345*	Plate, pull side mount	ALUM, DKBRZ, BRASS
4348*	Plate, parallel arm mount	ALUM, DKBRZ, BRASS

* Fits both slim and full covers

Applications

- ANSI/BHMA A156.4, Grade 1
- SC80 closers are suitable for interior doors from 30" to 54" wide and exterior doors up to 42" wide.
- SC81 closers are suitable for interior doors up to 48" wide and can be adjusted to meet the ADA accessibility requirements.
- UL10C approved all weather fluid
- Ten year warranty

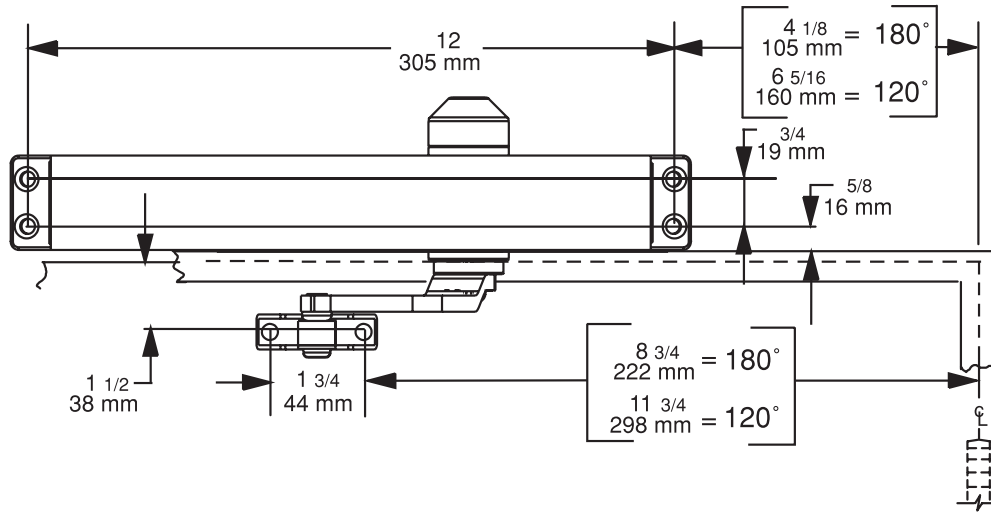
Regular Arm (Pull Side)



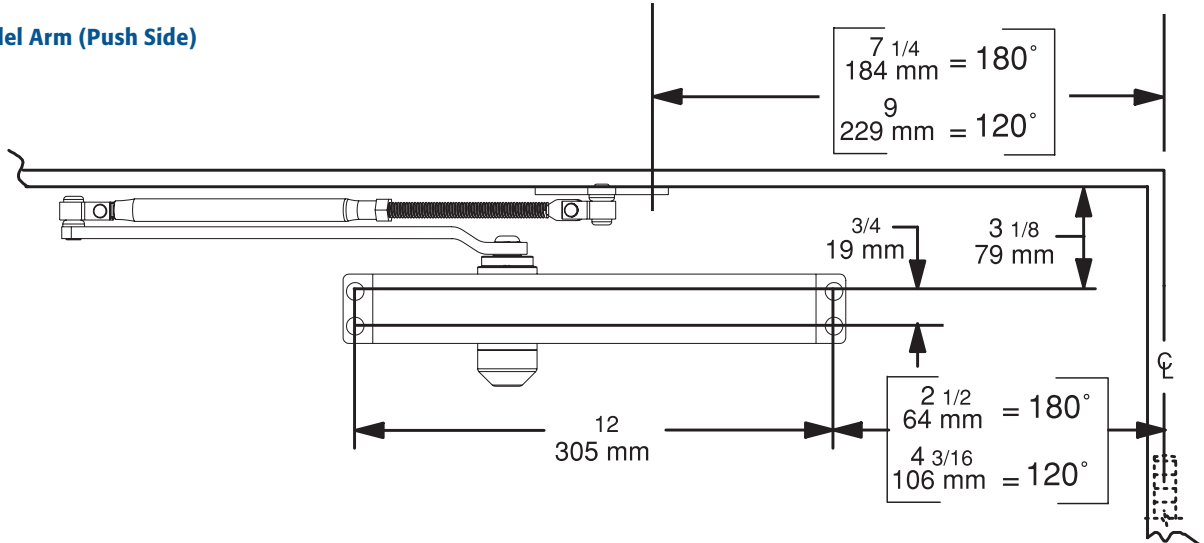
DOR-O-MATIC®

Door Hardware Made Easy!

Top Jamb (Push Side)



Parallel Arm (Push Side)



Mechanical Door Closers

SC60 Series



Less Cover



With Cover

How to Order

Identify the desired spring power, cylinder function, cover option, arm option, fastener pack and finish.

Size	Cylinder	Covers	Arms	Fastener Pack	Finishes
1-4 (SC61)	DEL*	Cover*	Hw/PA*	TBWMS	DKBRZ
2-5 (SC60)			Rw/PA		
4 (SC64)	STD	Less	DS*		BRASS*
5 (SC65)			HO/DS*		ALUM
			HD*		

*Not available on SC64 and SC65

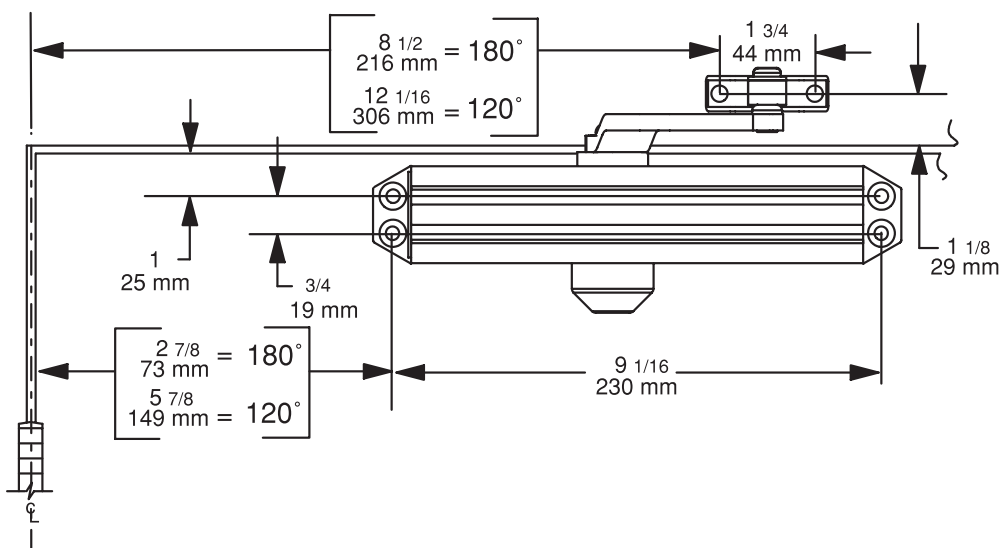
Installation Accessories

Part No.	Description	Finishes
4327	Plate, pull side mount	ALUM, DKBRZ, BRASS
4357	Plate, parallel arm mount	ALUM, DKBRZ, BRASS

Applications

- ANSI/BHMA A156.4, Grade 1
- SC60 closers are suitable for interior doors from 30" to 54" wide and exterior doors up to 42" wide.
- SC61 closers are suitable for interior doors up to 48" wide and can be adjusted to meet the ADA accessibility requirements.
- UL10C approved all weather fluid
- Ten year warranty

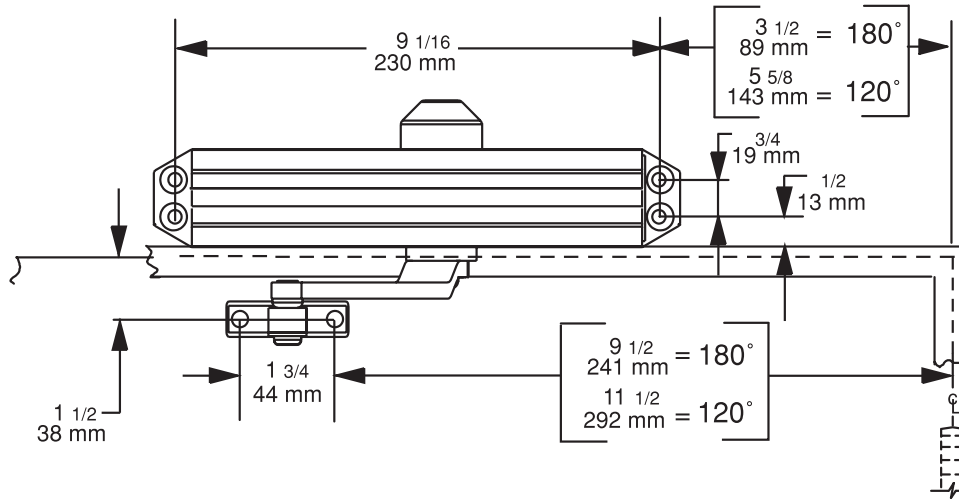
Regular Arm (Pull Side) SC60 and SC61 Only



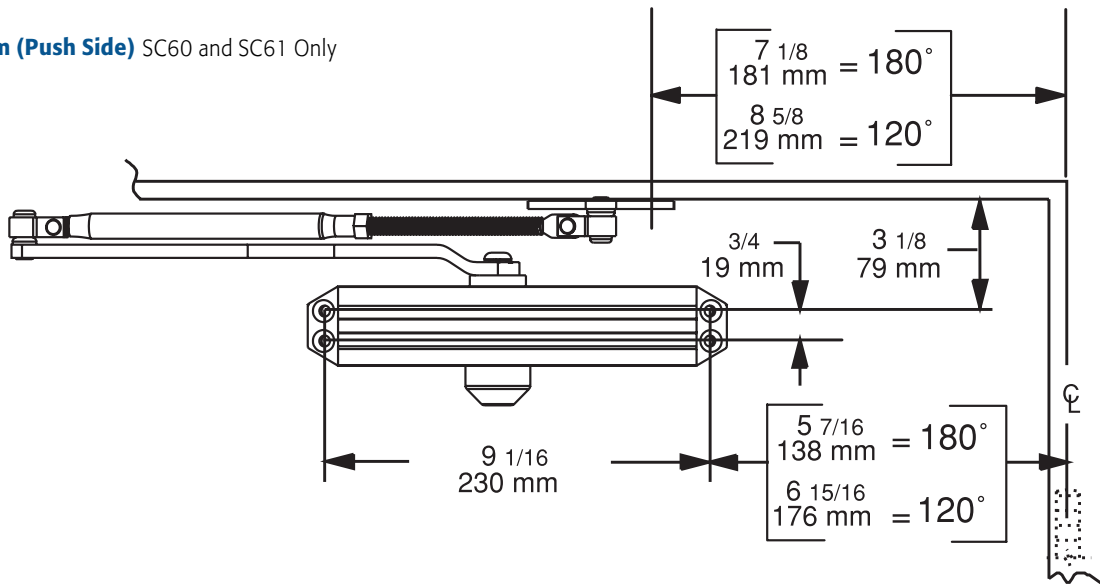
DOR-O-MATIC®

Door Hardware Made Easy!

Top Jamb (Push Side) SC60 and SC61 Only



Parallel Arm (Push Side) SC60 and SC61 Only



Mechanical Door Closers

SC90 Series



SC91



SC93



SC94

How to Order

Identify the desired closer size, cylinder function, arm option, fastener pack and finish.

Size	Cylinder	Covers	Arms	Fastener Pack	Finishes
1 (SC91)	STD	N/A	Rw/PA	TBWMS	ALUM
3 (SC93)*	WOBC		Hw/PA*		DKBRZ
4 (SC94)					BRASS

* SC93 not available with backcheck or Hw/PA.

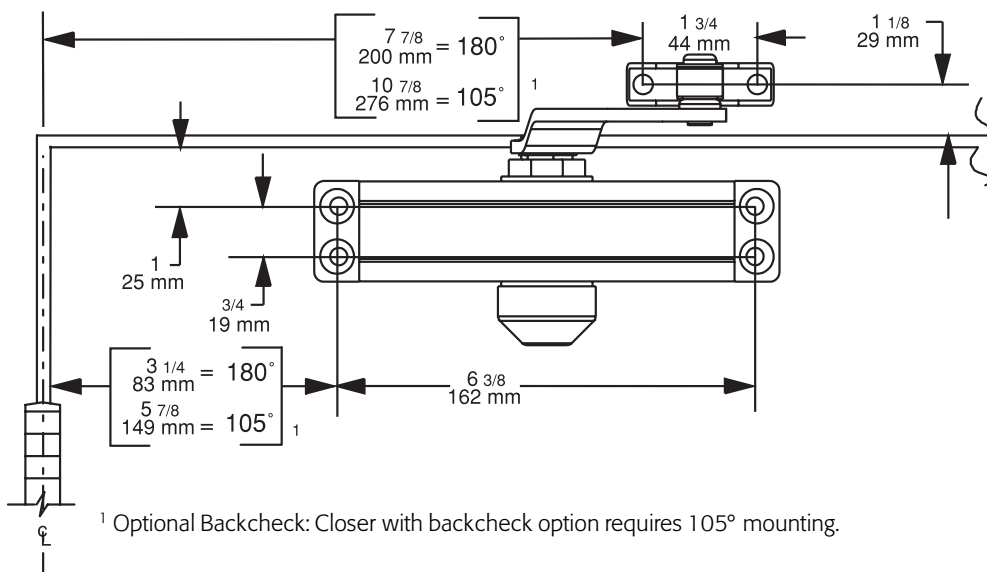
Installation Accessories (only for SC94)

Part No.	Description	Finishes
4327	Plate, pull side mount	ALUM, DKBRZ, BRASS
4357	Plate, parallel arm mount	ALUM, DKBRZ, BRASS

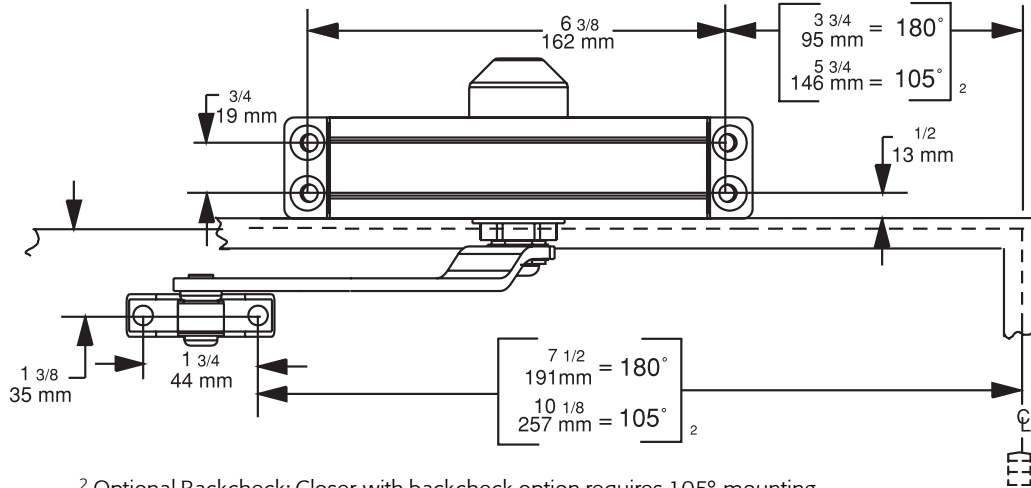
Applications

- ANSI /BHMA A156.4, Grade 3
- SC91 closers are suitable for lightweight interior doors and are preset. They meet ADA accessibility requirements.
- UL10C approved all weather fluid
- Ten year warranty

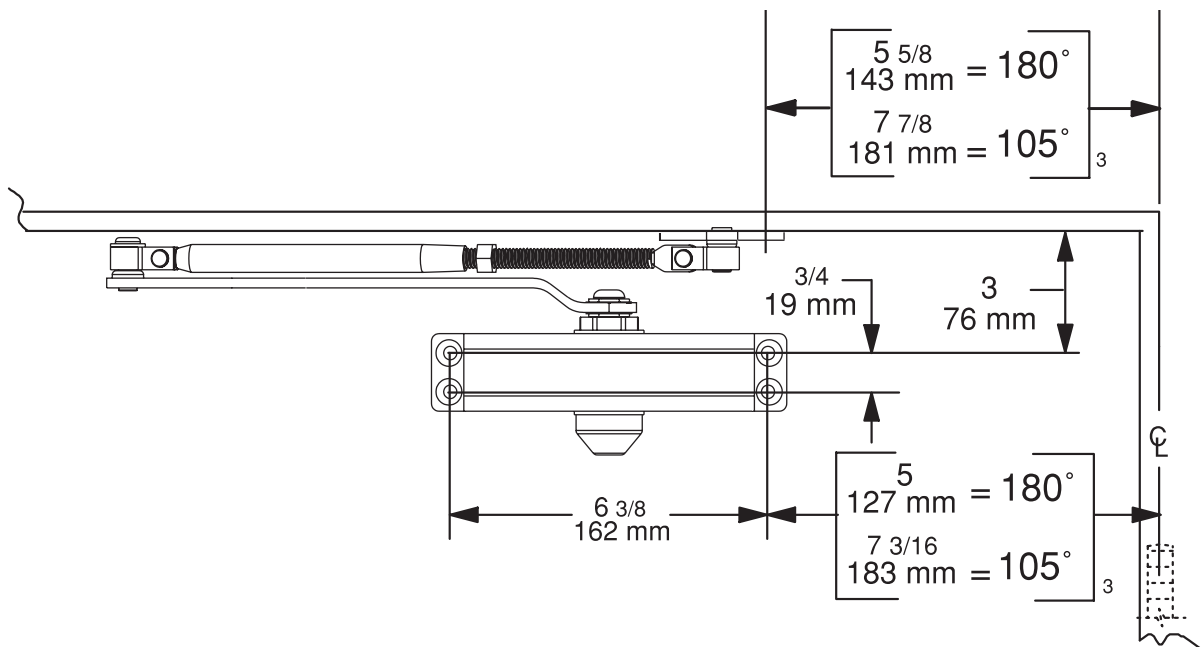
Regular Arm (Pull Side) SC91 Shown



Top Jamb (Push Side) SC91 Shown



Parallel Arm (Push Side) SC91 Shown



Mechanical Door Closers

SC R85 Series



Light Commercial / Residential Door Closer

How to Order

Select finish and arm type (Hold-Open and Non-Hold-Open).

MODEL NUMBER	DESCRIPTION
SC R85	Residential Ivory Door Closer Non-Hold-Open
SC R85	Residential Dark Brown Door Closer Non-Hold-Open
SC R85H	Residential Ivory Door Closer w/ Hold-Open
SC R85H	Residential Dark Brown Door Closer w/ Hold-Open

Available in case quantities only, 5 per case.

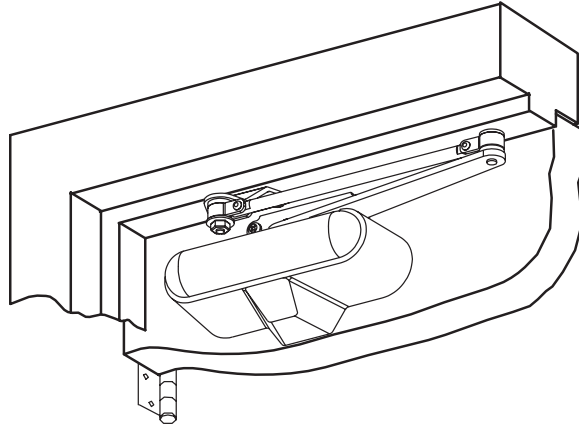
FEATURES

- Fast and Accurate Installation
- Adjustable Closing Speed
- For Interior Doors up to 85 lbs and 36" Wide
- 5 year warranty
- UL Listed (Non-Hold-Open only)
- Available in Ivory & Dark Brown
- Parallel Arm Mount only

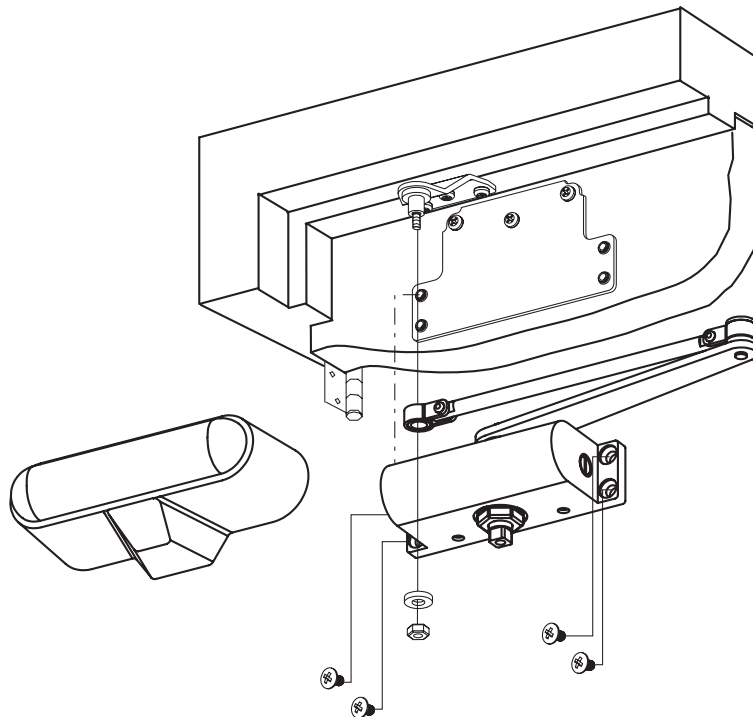
DOR-O-MATIC®

Door Hardware Made Easy!

Parallel Arm (Push Side)



Parallel Arm (Left hand shown, right hand opposite)



Mechanical Door Closers

OHC100 Series



Dor-O-Matic Overhead Concealed Closers offer an aesthetically pleasing way to control a door opening. They are suitable for a wide range of both interior and exterior applications, including aluminum, wood, and hollow metal doors and frames. In addition to providing years of maintenance-free operation, the Dor-O-Matic OHC100 Series is easy to select, easy to order, and easy to install.

FEATURES

- Easy to adjust Closing and Latch Speeds after installation
- Easily fits into headers as small as 1-3/4" x 4"
- Positive centering to hold door closed against wind or draft
- 8 pounds closing force
- 5 year warranty
- UL Listed (non-hold-open only)

EASY CROSS REFERENCE CHART

Dor-O-Matic	OHC100 Series
Norton	4900
Rixson	608, 0608, 700, 0700, 800
Dorma	RTS88
Sentinel	30 Series
Jackson	20-330 ¹
Global	TC7000
International	Series 100 and Series 200
Kawneer	Husky II ¹

¹ Indicates drop-in replacement

EASY TO ORDER COMPLETE UNITS

CYLINDER	ARM	BRACKET	PIVOT
"H105" 105 degree Hold-Open Cylinder	"S" style Side Load Arm	"FB" Bracket	"GE" Pivot
"H105" 105 degree Hold-Open Cylinder	"A" style End Load Arm	"FB" Bracket	"DP" Pivot
"H105" 105 degree Hold-Open Cylinder	"VO" style Offset Arm & Track - Aluminum Finish	"FB" Bracket	n/a
"H105" 105 degree Hold-Open Cylinder	"VO" style Offset Arm & Track - Dark Bronze Finish	"FB" Bracket	n/a
"S105" 105 degree Non-Hold-Open Cylinder	"S" style Side Load Arm	"FB" Bracket	"GE" Pivot
"S105" 105 degree Non-Hold-Open Cylinder	"A" style End Load Arm	"FB" Bracket	"DP" Pivot
"S105" 105 degree Non-Hold-Open Cylinder	"VO" style Offset Arm & Track - Aluminum Finish	"FB" Bracket	n/a
"S105" 105 degree Non-Hold-Open Cylinder	"VO" style Offset Arm & Track - Dark Bronze Finish	"FB" Bracket	n/a
"H90" 90 degree Hold-Open Cylinder	"S" style Side Load Arm	"FB" Bracket	"GE" Pivot
"H90" 90 degree Hold-Open Cylinder	"A" style End Load Arm	"FB" Bracket	"DP" Pivot
"H90" 90 degree Hold-Open Cylinder	"VO" style Offset Arm & Track - Aluminum Finish	"FB" Bracket	n/a
"H90" 90 degree Hold-Open Cylinder	"VO" style Offset Arm & Track - Dark Bronze Finish	"FB" Bracket	n/a
"S90" 90 degree Non-Hold-Open Cylinder	"S" style Side Load Arm	"FB" Bracket	"GE" Pivot
"S90" 90 degree Non-Hold-Open Cylinder	"A" style End Load Arm	"FB" Bracket	"DP" Pivot
"S90" 90 degree Non-Hold-Open Cylinder	"VO" style Offset Arm & Track - Aluminum Finish	"FB" Bracket	n/a
"S90" 90 degree Non-Hold-Open Cylinder	"VO" style Offset Arm & Track - Dark Bronze Finish	"FB" Bracket	n/a

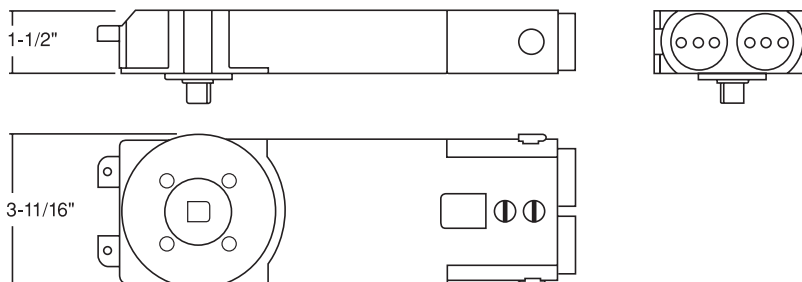
EASY TO ORDER INDIVIDUAL COMPONENTS

Components can easily be ordered individually or for bulk orders, call for details.

Individual Components

ITEM DESCRIPTION

- "M105H" 105 degree Hold-Open Cylinder
- "M105" 105 degree Non-Hold-Open Cylinder
- "M090H" 90 degree Hold-Open Cylinder
- "M090" 90 degree Non-Hold-Open Cylinder
- "S" style Side Load Arm
- "A" style End Load Arm
- "VO" style Offset Arm & Track - Aluminum Finish
- "VO" style Offset Arm & Track - Dark Bronze Finish
- "FB" style Mounting Bracket and Hardware
- "GE" style Center Hung Floor Pivot
- "DP" style Center Hung Floor Pivot



SC Closer Configuration

To meet your unique requirements, SC closers can be configured by selecting specific options. To verify availability of options please contact customer service.

Cylinder Options

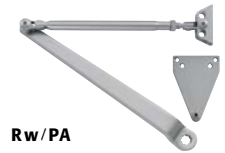
- **STD** (standard cylinder) - Standard cylinder provides a main speed function to control the motion of the door from maximum opening angle until the door is a few inches from the latch where function controls the final closing motion. The opening swing is controlled by the hydraulic backcheck function from about 70° to maximum opening angle.
- **WOBC** (without backcheck) - Special cylinder provides a main speed function to control the motion of the door from maximum opening angle until the door is a few inches from the latch where latch function controls the final closing motion.
- **DEL** (delayed action cylinder) - Special cylinder provides a separate delayed closing motion from maximum opening angle to approximately 70°. Then the main speed function controls the door motion until the door is a few inches from the latch where latch function controls the final closing motion. During the opening swing, the door is controlled by the hydraulic backcheck function from about 70° to maximum opening angle.

Cover Options

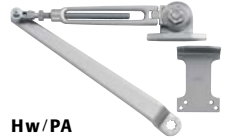
- **FULL** - Cover encloses the closer body and the unused pinion shaft.
- **SLIM** - Cover encloses the closer body with a separate cover on the unused pinion shaft.

Arm Options

- **Rw/PA** (regular arm with parallel arm bracket) - Nonhold-open arm with adjustable forearm assembly to accommodate a range of door and frame reveal conditions. Includes PA bracket to allow installation in a parallel arm configuration.
- **Hw/PA** (hold open arm with parallel arm bracket) - Hold-open arm with adjustable forearm assembly to accommodate a range of door and frame reveal conditions.
- **HD** (heavy duty arm) - Heavy-duty, parallel arm for use in high-traffic applications.
- **DS** (dead stop arm) - Heavy-duty, parallel arm includes a positive mechanical stop and nonadjustable forearm assembly for high volume traffic or potentially abusive installation conditions.
- **HO/DS** (hold open dead stop arm) - Heavy-duty, parallel arm includes a positive mechanical stop and nonadjustable forearm assembly for high volume traffic or potentially abusive installation conditions. Also includes a manually selective hold-open function.



Rw/PA



Hw/PA



HD



DS



HO/DS

Fastener Pack

- **TBWMS** (thru bolts with wood machine screws) - Fasteners for installation on wood, hollow metal or aluminum storefront-type doors. Thru bolts for installations on 1 3/4" thick, hollow core doors are included.

ADA Accessibility Requirements

- Closers are preset at the factory or can be configured by the installer to generate less than a 5lb opening force on a 36" wide interior door to comply with the requirements of the ADA law, Sections 4.13.10 and 4.13.11, and ANSI Standard A117.1, Sections 4.13.10 and 4.13.11.
- Closers with the optional delayed closing cylinder also comply with the additional advisory suggestions of the ADA law, Section A4.13.10, and ANSI Standard A117.1, Section A4.13.10.

Warranty Period

- Dor-O-Matic SC60 series, SC70 series, SC80 series, and SC90 series closers are covered by a limited ten (10) year warranty against defects in material and workmanship.
- Dor-O-Matic SC R85 series closers are covered by a limited five (5) year warranty against defects in material and workmanship.
- Dor-O-Matic OHC series closers are covered by a limited five (5) year warranty against defects in material and workmanship.

International Offices

Canada / Latin America

IR Security & Safety
1076 Lakeshore Road East
Mississauga, Ontario,
L5E 1E4, Canada
(905) 403-1800
(905) 278-1413 FAX
(877) 590-4734

North-East Asia

IR Security & Safety
23/F, 625 King's Road
Northpoint, Hong Kong
+(852) 2235-0600
+(852) 2565-1409 FAX

South-East Asia / Australia / NZ

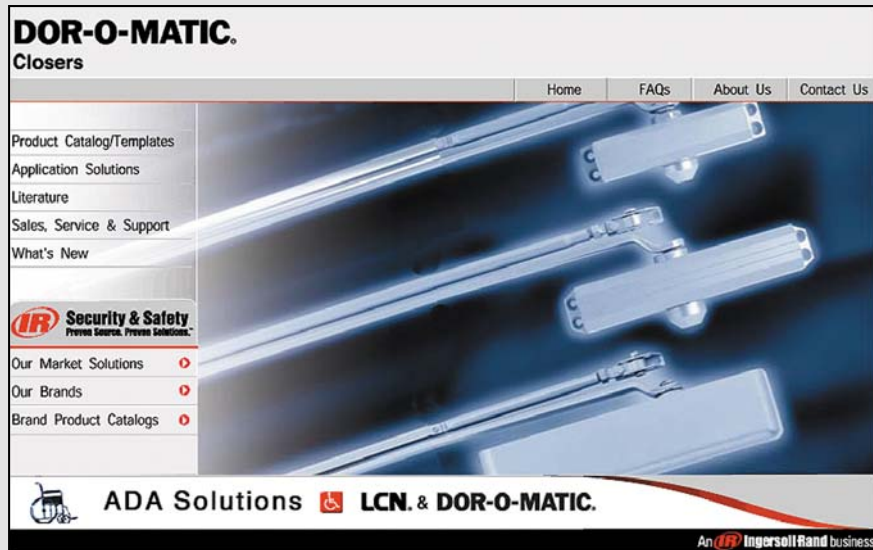
IR Architectural Hardware Ltd.
P.O. Box 19-347
437 Rosebank Road,
Avondale, Auckland, New Zealand
+64 (0) 9-829-0550
+64 (0) 9-829-0552 FAX
www.irarchitecturalhardware.co.nz

Mexico

IR Security & Safety
Blvd. Centro Industrial No. 11
Pueñas de Vigag, Tlalnepantla
Estado de Mexico, 54070 Mexico
+525-5-8503-6614

Europe / Middle-East / Africa

IR Security & Safety Ltd.
Bescot Crescent
Walsall, West Midlands WS1 4DL
United Kingdom
+44 (0)1922 707400
+44 (0)1922 646303 FAX
www.irsecurityandsafety.co.uk



Visit Dor-O-Matic Closers on the web
www.closers.doromatic.com
or contact an
IR Security & Safety Consultant
1-877-840-3621



Dor-O-Matic

Hardware Products
121 W. Railroad Avenue
P.O. Box 100
Princeton, IL 61356
800-815-1517
800-666-0472 Fax