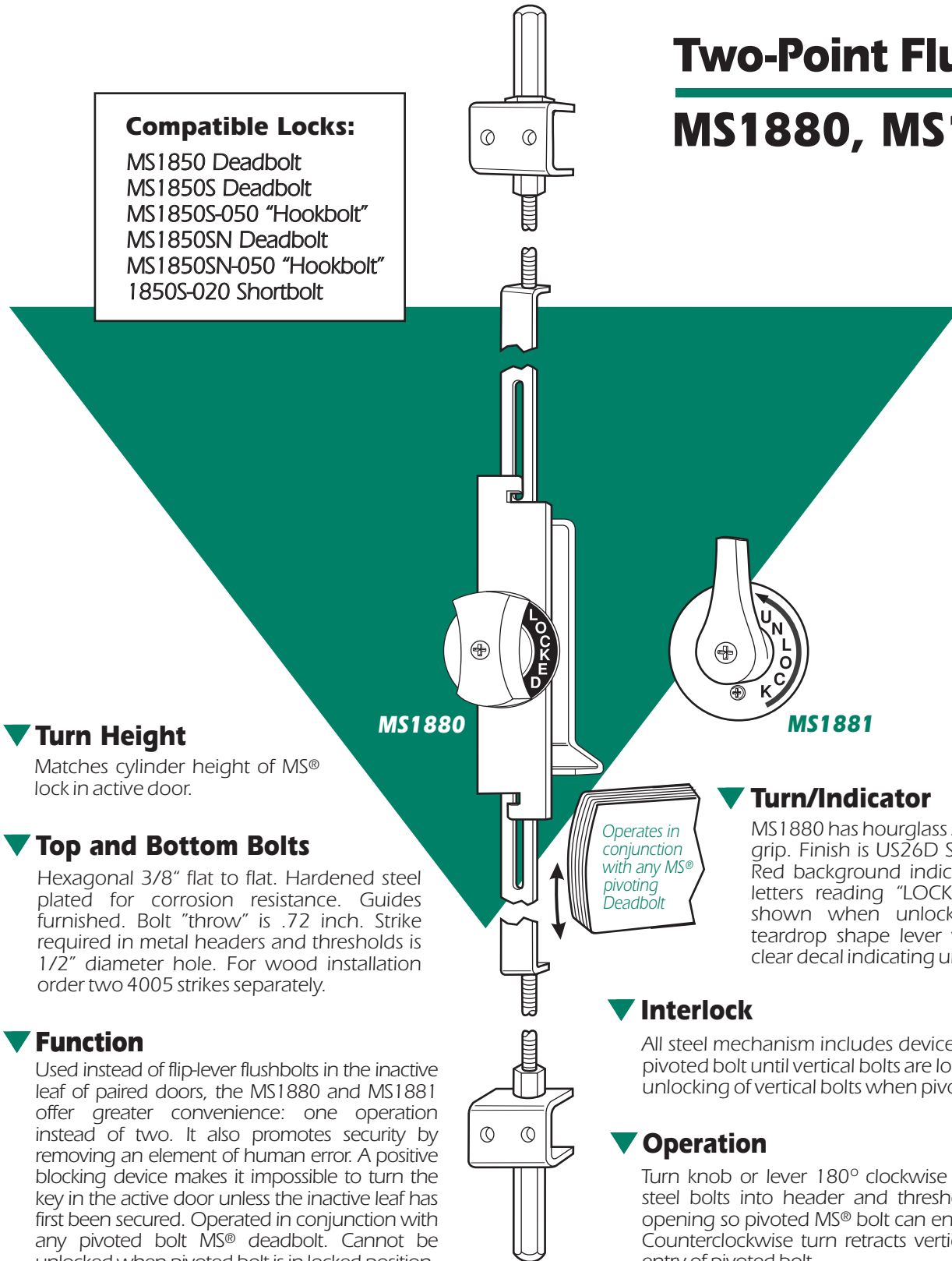


## Two-Point Flushbolt

### MS1880, MS1881

#### Compatible Locks:

MS1850 Deadbolt  
 MS1850S Deadbolt  
 MS1850S-050 "Hookbolt"  
 MS1850SN Deadbolt  
 MS1850SN-050 "Hookbolt"  
 1850S-020 Shortbolt



#### ▼ Turn Height

Matches cylinder height of MS® lock in active door.

#### ▼ Top and Bottom Bolts

Hexagonal 3/8" flat to flat. Hardened steel plated for corrosion resistance. Guides furnished. Bolt "throw" is .72 inch. Strike required in metal headers and thresholds is 1/2" diameter hole. For wood installation order two 4005 strikes separately.

#### ▼ Function

Used instead of flip-lever flushbolts in the inactive leaf of paired doors, the MS1880 and MS1881 offer greater convenience: one operation instead of two. It also promotes security by removing an element of human error. A positive blocking device makes it impossible to turn the key in the active door unless the inactive leaf has first been secured. Operated in conjunction with any pivoted bolt MS® deadbolt. Cannot be unlocked when pivoted bolt is in locked position.

MS1881

#### ▼ Turn/Indicator

MS1880 has hourglass shape for firm finger grip. Finish is US26D Satin Chrome (682). Red background indicator has aluminum letters reading "LOCKED". (No message shown when unlocked.) MS1881 has teardrop shape lever with red letters on clear decal indicating unlock direction only.

#### ▼ Interlock

All steel mechanism includes device to prevent entry of pivoted bolt until vertical bolts are locked and to prevent unlocking of vertical bolts when pivoted bolt is locked.

#### ▼ Operation

Turn knob or lever 180° clockwise to throw hardened steel bolts into header and threshold and clear strike opening so pivoted MS® bolt can enter from active door. Counterclockwise turn retracts vertical bolts and blocks entry of pivoted bolt.

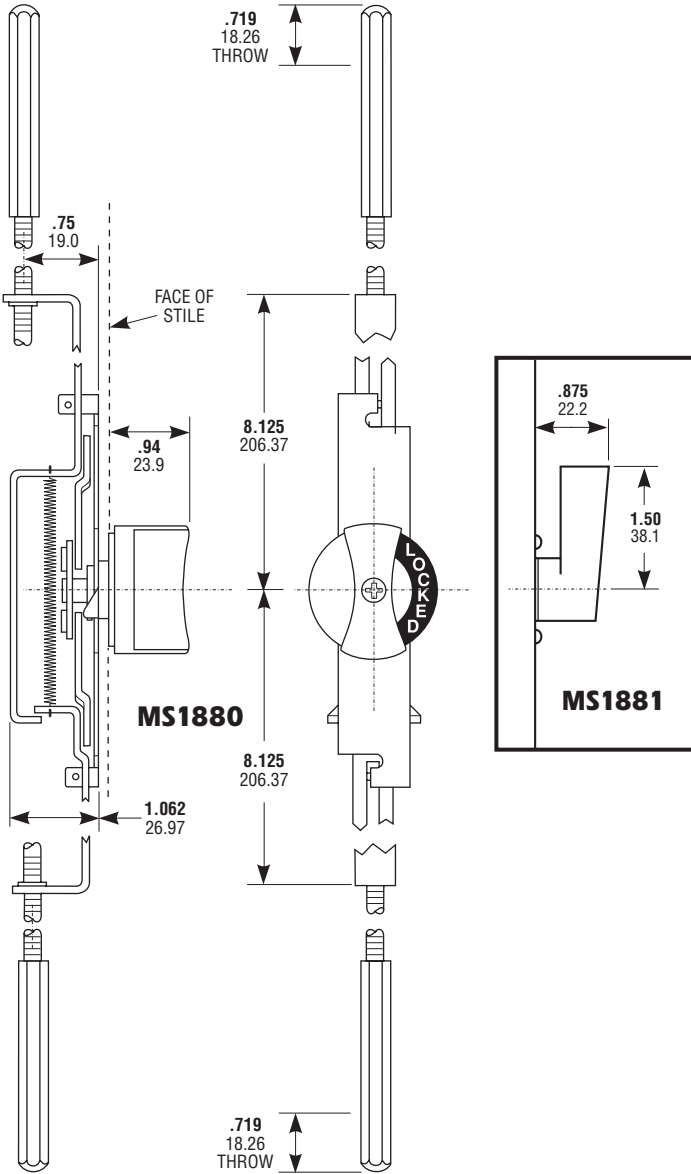




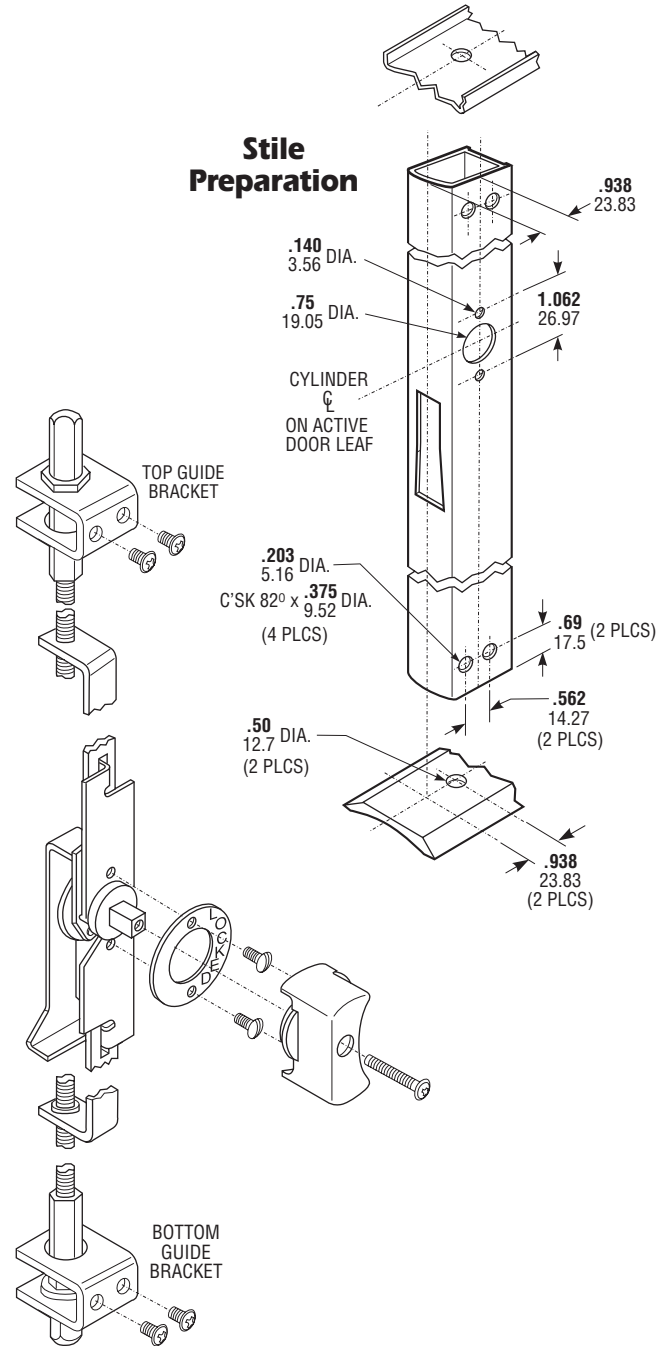
# MS1880/81 Two-Point Flushbolt

## DIMENSIONS

**INCHES**  
**MILLIMETERS**  
Nominal, subject to tolerance extremes.



## INSTALLATION



## HOW TO ORDER

Specify quantity and the following information.  
Order related hardware separately.

<b>Turn Shape</b> 80 Hourglass 81 Teardrop	<b>Cylinder Height</b> Distance from floor to cylinder centerline	<b>Door Height</b> Distance from floor to top of door
--	--	--

**MS1880 - 42" - 82"**

## OPTIONS

For wood header or threshold, order 4005 strikes separately.

## STANDARD PACKAGE

Individually boxed with bolt guides and screws. Shipping weight: 2 lbs.