

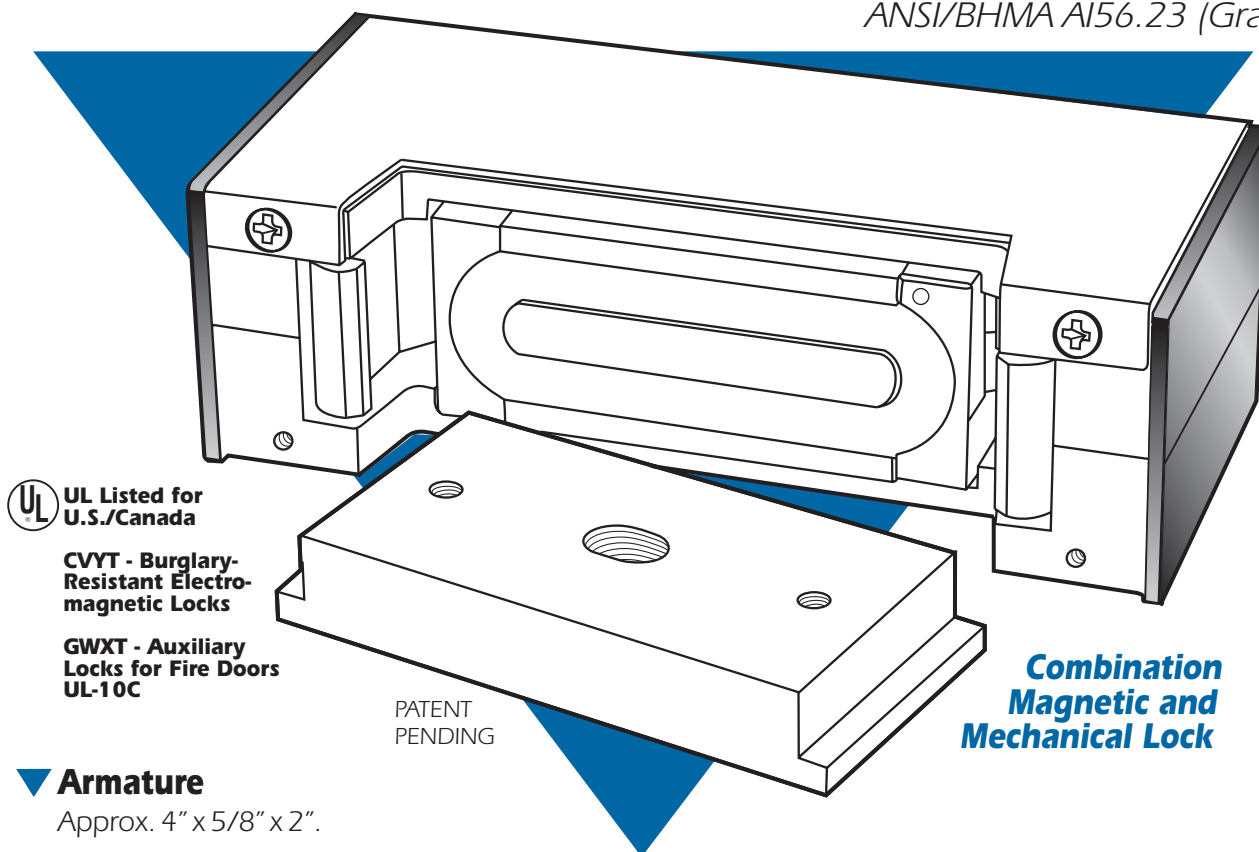
## ELECTRICAL SPECIFICATIONS

**VOLTAGE:** 12 to 24 Volt AC or DC  
**CURRENT DRAW:** 0.2 amps maximum

## MS<sup>®</sup> Maglock

### MS1500

**4000 lb. Holding Force**  
**with Mechanical Mandibles engaged**  
ANSI/BHMA A156.23 (Grade 1)



#### ▼ Armature

Approx. 4" x 5/8" x 2".

#### ▼ Case

Approx. 6" x 2-3/4" x 2" deep. One piece stainless steel housing cover conceals the magnet fasteners. Finished standard in US32D. US3, US4 and 121 Dark Bronze finishes optional.

#### ▼ Mounting

A separate mounting plate is included as standard. A variety of accessories are available for different mounting methods.

#### ▼ Options

Monitoring: Door position switch and tamper warning switch are available.  
Conduit: Prepped for use with 1/2" conduit.

#### ▼ Function

The MS Maglock provides remote access and exit control of internal and external wood, hollow metal and aluminum doors. The MS Maglock is designed with two hardened steel mandibles, which are spring loaded to clamp on the armature in the event of a forced entry attempt. The MS Maglock has a holding force of 4000 pounds when installed with the supplied mounting plate and screws. The revolutionary design allows the maglock to run on voltages from 12 to 24 AC or DC. The MS Maglock is fail-safe, but can be installed with a battery backup power supply. (See PS-1, page AC-24). Options include a door position switch, tamper warning switch and prepped for use with 1/2" conduit. Available accessories allow the maglock to be installed on in-swinging as well as out-swinging doors.



**ADAMS RITE**  
MANUFACTURING CO.

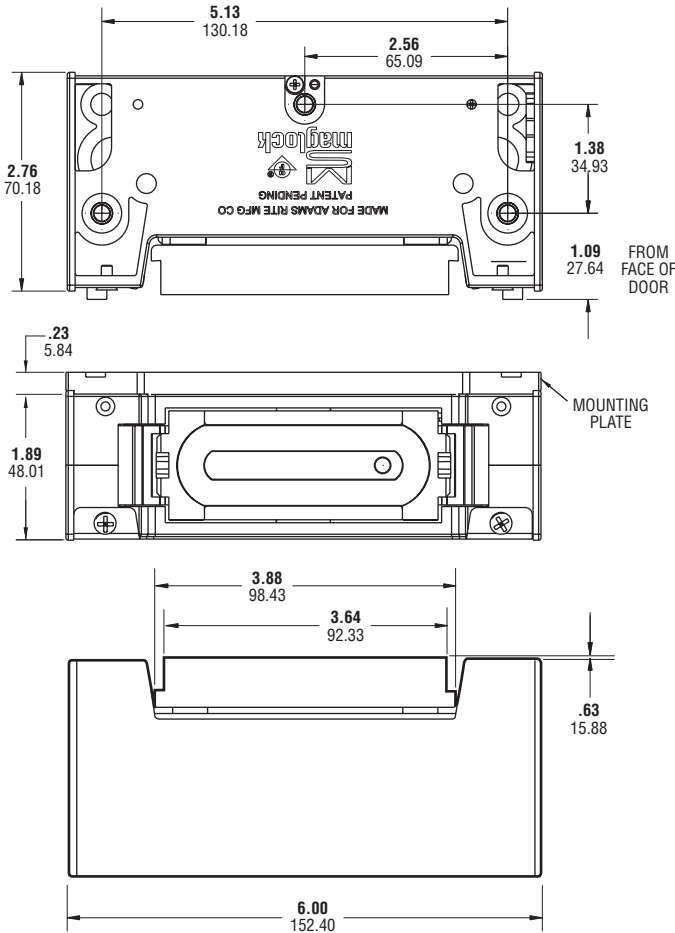
260 Santa Fe Street  
Pomona, California 91767  
(800) 872-3267 Fax: (800) 232-7329  
www.adamsrite.com



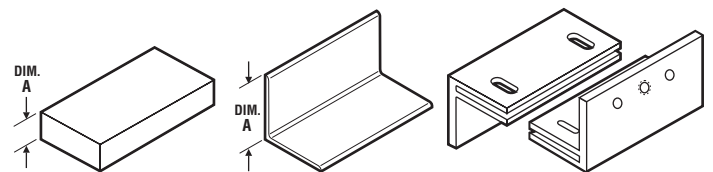
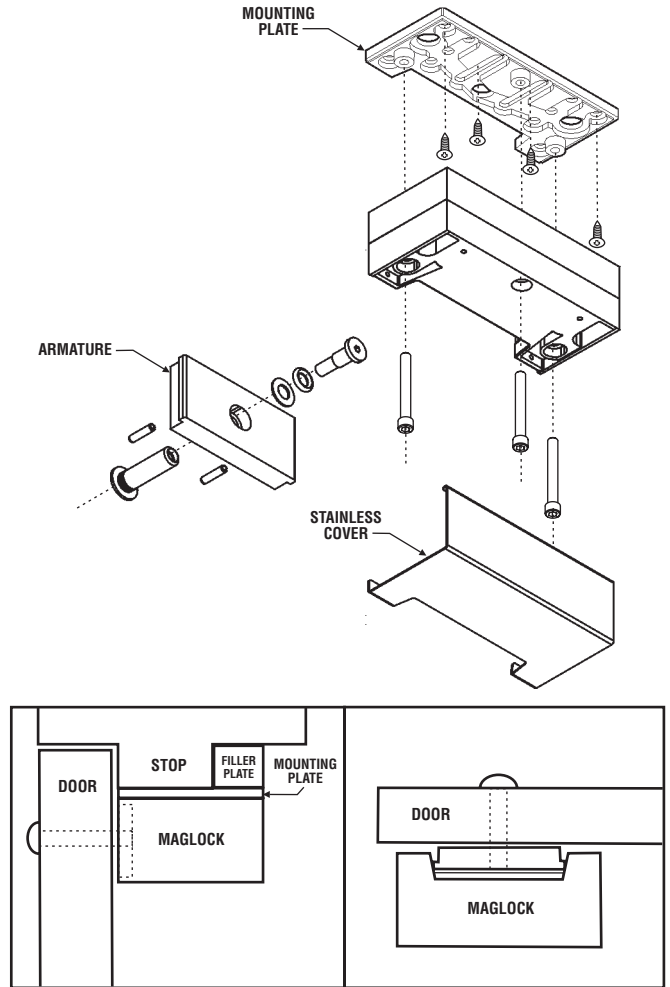
# MS1500 MS® Maglock

## DIMENSIONS

**INCHES**  
MILLIMETERS  
Nominal, subject to tolerance extremes.



## INSTALLATION



### Filler Plate

PART NO.	DIM. A
FP1500-01	0.375
FP1500-02	0.500
FP1500-03	0.625

### Angle Bracket

PART NO.	DIM. A
AB1500-01	1.00
AB1500-02	2.00
AB1500-03	3.00

### Z Brackets

PART NO.
ZB1500

Add to Part No. above for painted finish: -130 (to match Clear), -121 (to match Dark Bronze), -119 (to match Black)

## HOW TO ORDER

Specify quantity and the following information.  
Order related hardware separately.

### Options\*

- C** Conduit
- M** Door Position switch & Tamper Warning switch

# MS1500 M 630

### Cover Finish

- US32D** Standard: Satin Stainless
- Optional:
  - US3** Bright Brass
  - US4** Satin Brass
  - 121** Dark Bronze

\*Substitute for dash if ordering.  
For both options, substitute "CM"

## OPTIONS

MS Maglock can be ordered with Door Position switch and Tamper Alert sensor. Wired for conduit also available. Order Z brackets, angle brackets or filler plates separately.

## STANDARD PACKAGE

Individually boxed with Maglock, armature, mounting plate and all mounting hardware. Shipping weight approximately 5 lbs.