



GENERAL INFORMATION

JACKSON CORPORATION

3447 Union Pacific Ave.
Los Angeles, CA 90023
www.jacksonexit.com



Customer Service

Phone: 877-394-8338
Fax: 800-888-6855
E-mail: customerservice@jacksonexit.com

Technical Support

Phone: 877-394-8338
Fax: 800-888-6855
E-mail: customerservice@jacksonexit.com

Sales

Phone: 877-394-8338
Fax: 800-888-6855
E-mail: customerservice@jacksonexit.com

Administration

Phone: 323-269-8111
Fax: 323-269-1872
E-mail: jacksoncorp@jacksonexit.com

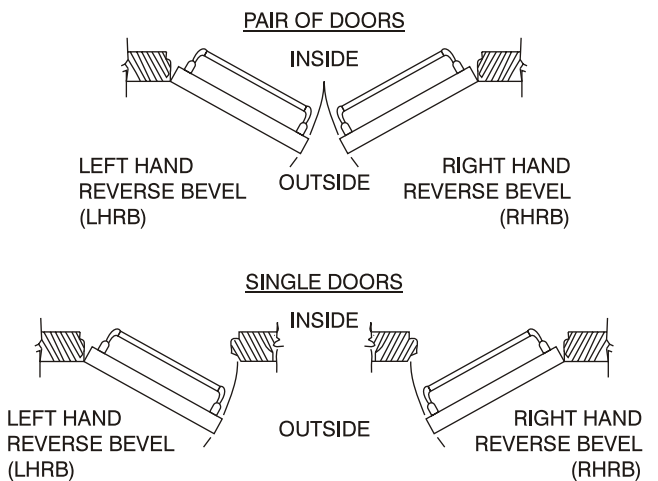
International

Jackson International
P.O. Box 62
Wednesbury, West Midlands
United Kingdom Ws109JA
Phone: 44-121-568-2111
Fax: 44-121-568-2113

STANDARD FINISHES

FINISH	DESCRIPTION
US28 / 628	Satin Aluminum
US3 / 605	Bright Brass
US10 / 612	Satin Bronze
US10B / 613	Oil-Rubbed Bronze
US15 / 646	Satin Nickel Plated
US26 / 625	Bright Chrome Plated
US26D / 626	Satin Chrome Plated
US32 / 629	Bright Stainless
US32D / 630	Satin Stainless
DBZ 313	Dark Bronze
BLK 335	Satin Black
EP	Plated Finish
SP	Painted Finish

DOOR HANDING



The **hand** of doors is determined from the **outside** or **lock side** of the door to which it is applied.

If standing outside and the door **opens toward** you, it is a **reverse bevel** door.

STANDARD TERMS AND CONDITIONS OF SALE

All sales by Jackson Corporation of the items in this price list (as well as all "custom" variations) are made pursuant to these Standard Terms and Conditions of Sale. We will not be bound by the terms and conditions stated in a customer's purchase order to the extent that the purchase order attempts to modify or supplement in any way any of these Standard Terms and Conditions.

FREIGHT AND DELIVERY POLICIES:

All sales are F.O.B. our facility.

Claims for shortage or damage must be made directly to the carrier no later than five (5) days from the date of arrival of a shipment. All shipment and delivery dates in an acknowledgement are estimates only. We are not liable for air freight or any other charges, losses or damages if goods are not shipped on the estimated date.

TERMS AND PRICES

There shall be a minimum charge of \$250.00 net per invoice.

All prices are subject to all federal and state taxes of any kind where applicable.

1% 10 days, net 30 days from date of invoice. Date of invoice shall be date of shipment. Past due accounts are subject to a service charge equal to 1-1/2% per month, but in no event higher than the maximum rate (if any) permitted by applicable law. In addition to such service charges, costs and expenses associated with collection of past due amounts, including attorney's fees, shall be added to amounts past due.

We reserve the right to invoice all orders at prices in effect at time of shipment. All prices are subject to change or withdrawal without notice.

ORDER CANCELLATION TERMS AND CHARGES

Cancellation of standard orders will be accepted only if made in writing and received one week prior to shipment of order. Special or custom orders may not be canceled after 3 days following date of acknowledgement. A cancellation charge up to the price of the product will be made on any special or custom made items if same are not cancelled after such 3-day period.

RETURNS POLICY

All sales are final. However, in some cases returns may be allowed. Products will not be accepted for return without our written approval and unless accompanied by a properly authorized "Return Goods Authorization" from us. Return freight must be prepaid. Non-special or non-custom products accepted for return will be issued a credit at the price invoiced, from which will be deducted the expense for return transportation (if not prepaid). All returns are subject to a minimum restocking charge of 25% of the invoice price.

Special or custom made products including units that are modified from standard units cannot be returned for cash, credit or exchange.

TEMPLATES

Specific templates will be furnished upon request, or may be obtained from www.jacksonexit.com. In no event shall we be liable for any damages if latest templates are not used. Templates pertaining to products in this catalog are accurate at time of printing. Templates are subject to change without notice.

SHOP DRAWINGS

A nominal charge will be made for drawings of special items.

WARRANTY; EXCLUSIVE REMEDY; DISCLAIMER

We warrant to our customers that our door closer products shall be free from defects in material and workmanship for a period of five (5) years, or as otherwise noted, from the date of original shipment to our customers. All other door control products are warranted to be free from defects in material and workmanship for a period of one (1) year, or as otherwise noted. Any warranty claim must be asserted within the applicable warranty period, thereafter the claim will not be honored. The exclusive remedy against us for a warranty claim or otherwise shall be limited to repair or replacement of the product shown to have been defective and returned (at customer's cost) to us or an authorized service center. Abuse, misuse or improper installation voids this warranty as well as the exclusive remedy. Our sole and maximum liability for a defective product shall never exceed the cost of the subject product. Except for such warranty and exclusive remedy as stated, WE DISCLAIM ALL OTHER WARRANTIES WITH RESPECT TO OUR PRODUCTS, WHETHER EXPRESS OR IMPLIED (EXCEPT FOR THE EXPRESS WARRANTY OF TITLE), AND WE SPECIFICALLY DISCLAIM THE IMPLIED WARRANTIES OF MERCHANTABILITY AND FITNESS FOR A PARTICULAR PURPOSE.

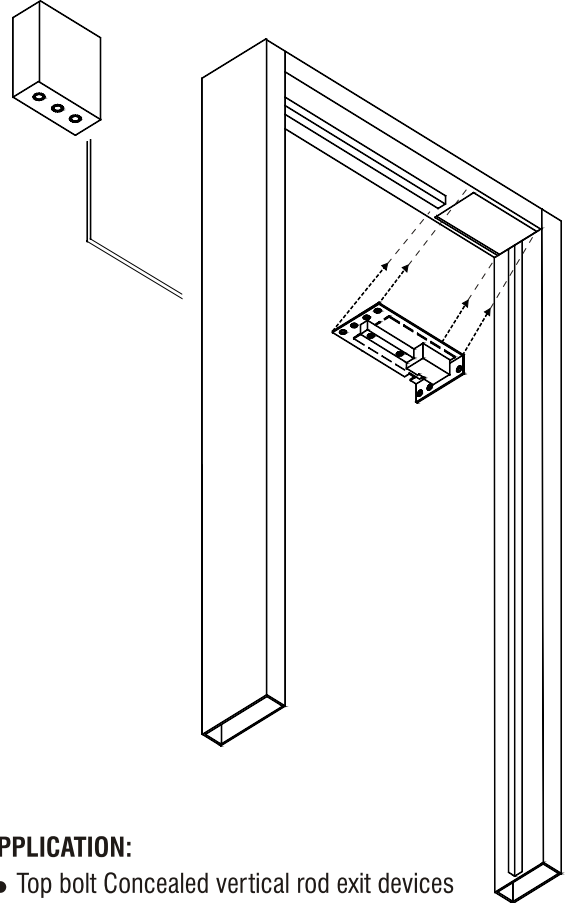
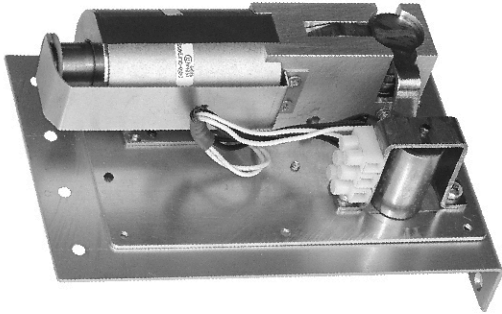
Some products are manufactured by companies other than us and in countries other than the United States and the warranties offered by those manufacturers apply.

In no event shall we be liable to the customer in warranty, contract, strict liability or otherwise for any damages alleged to be caused by one or more of our products beyond the cost to the customer of the subject product or products, refund of the purchase price being the customer's sole and exclusive remedy against us upon proof of any alleged claim. Incidental or consequential damages, including labor costs relating to installation or removal, shall not be our liability regardless of whether we knew or should have known of any general or particular requirements for our products and the customer shall not have any remedy against us for such damages, the sole and exclusive remedy for a proven claim having been stated above. We shall have no liability whatsoever for incidental, indirect, special or consequential damages of any kind.

The customer is responsible for determining the suitability of our products for the customer's use or resale, or for incorporating them into objects or for applications which the customer designs, assembles, constructs or manufactures.



MK 1 ACCESS CONTROL FOR CONCEALED VERTICAL ROD EXIT DEVICES



FEATURES:

- Use with all new and existing Jackson Exit Devices
- Dual Point Latching
- Fail Safe
- Fail Secure
- Continuous dogging capability
- Adjustable “open time” in 5 second increments
- UL Listed
- Available in clear or bronze
- Use with standard 110 input
- Mounts flush with header
- Requires Jackson Electronic Control Module

APPLICATION:

- Top bolt Concealed vertical rod exit devices

REPLACES:

- Electrified panics
- Electric trim
- Magnetic locks

Fits inside a 1 3/4” header

Dimensions: 7” long x 4” wide x 1 9/16” high

Input: Standard 110

WIRING RUN-DO NOT EXCEED MAXIMUM LENGTH

14 AWG.....	60 FEET
12 AWG.....	100 FEET

MK1 Unit and MK1 Electronic Control Module sold together as a package.



Electronic Control Module

PART NUMBERS

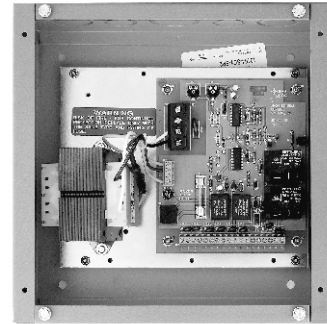
31-MK1-L313
 31-MK1-R313
 31-MK1-L628
 31-MK1-R628



ELECTRIFIED 20 SERIES EXIT DEVICE



2085 EL
2086 EL
2095 EL



Power Supply
#30-2616

TECHNICAL INFORMATION

APPLICATION

- Aluminum or Hollow Metal Doors.

FEATURES

- Fail-secure operation
- Remote locking and unlocking capability
- Solenoid operated latch retraction
- Adjust for brief or extended unlocking periods (to replace manual dogging)
- Ideal for after hour card access, automatic fire alarm systems, automatic doors, etc.
- For information on standard 20 series features, see page B-8
- 10 Amp Inrush Power Supply Regulator.
- 24 Volt DC continuous duty solenoid.
- Jackson power supply recommended (30-2616)

MATERIALS

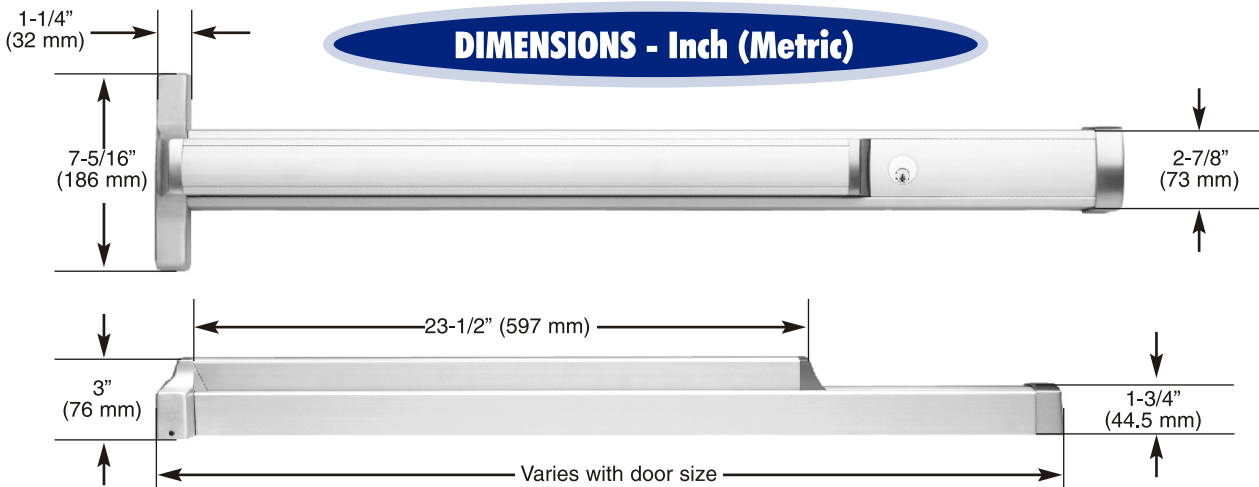
- Base Extrusion Extruded Aluminum
- Push Pad Extruded Aluminum
- Active Housing & End Caps . . . Die Cast Aluminum
- Mechanical Components Stainless & Hardened Steel
- Top and Bottom Bolts Plated Hardened Steel
- Top & Rim Latch Sintered Steel
- Strikes Sintered Steel

FINISH

- Standard Anodized Finish: DBZ 313 - Dark Bronze
- US28/628 - Satin Aluminum
- Standard Architectural Finish: US26/625 - Polished Chrome
- US3/605 - Polished Brass

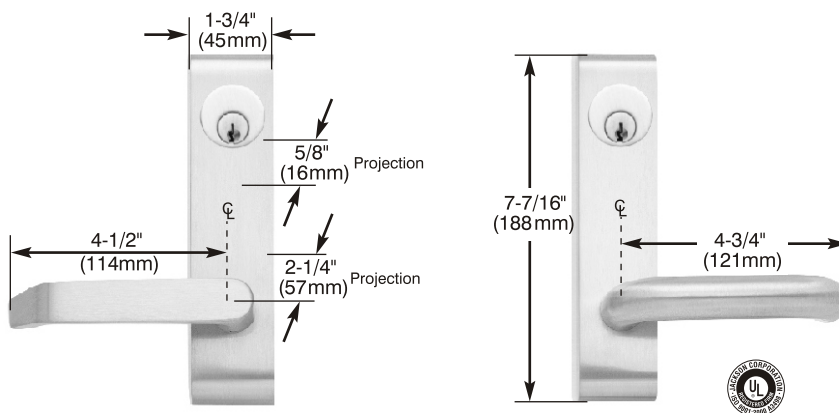
WIRING RUN-DO NOT EXCEED MAXIMUM LENGTH

- 16 AWG.....40 FEET
- 14 AWG..... 60 FEET
- 12 AWG.....100 FEET





ELECTRIFIED OUTSIDE TRIM



TECHNICAL INFORMATION

APPLICATIONS

- Key controlled outside trim is available for use with all Jackson Exit Devices. **(Excludes 1095)**
- Product is shipped for use with standard 1-3/4" (45mm) Thick Doors - 2" (51mm) Door Mounting is optional.

FEATURES

- Uses standard cylinder (Supplied by Others)
 CVR Device: 1" (25mm) Mortise cylinder with MS type cam.
 Rim Devices: 1" (25mm) Mortise cylinder with MS type cam.
- Non-Handed
- Thru-bolted with machine screws
- Available Trim Configuration:
 - Lever - Flat Style
 - Lever - Rounded
 - Matching Inactive Dummy Trim
- Electrified Trim (24 Volts, AC/DC)

MATERIALS

- Escutcheon..... Extruded Aluminum
- Lever Aluminum
- Mechanical Components..... Plated Hardened Steel

FINISH

- Standard Finished:
 - DBZ 313 - Anodized Dark Bronze
 - US28/628 - Anodized Satin Aluminum

ELECTRIC TRIM SPECIFICATIONS

- TEMPLATE: Same as our Mechanical Trim
- SOLENOID: Continuous Duty.....24 VDC
 Current inrush requirements. (Approx. 0.25 Milliseconds) 0.25 amps.
 Continuous holding (Approx. 300 milliamps) 0.30 amps.

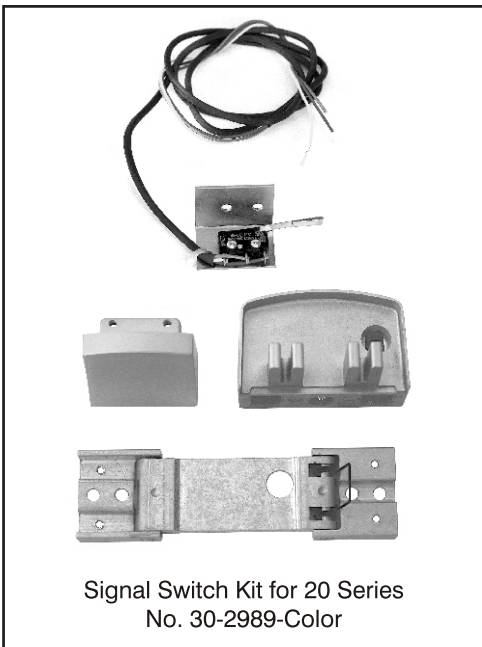
WIRING RUN-DO NOT EXCEED MAXIMUM LENGTH

- 16 AWG.....80 FEET
- 14 AWG.....100 FEET
- 12 AWG.....120 FEET

PART #	FOR USE WITH MODEL
7500 EL-01 - Round	1275
7500 EL-02 - Flat	1275
8500 EL-01 - Round	12850, 2085, 2080
8500 EL-02 - Flat	12850, 2085, 2080
9500 EL-01 - Round	1295
9500 EL-02 - Flat	2095

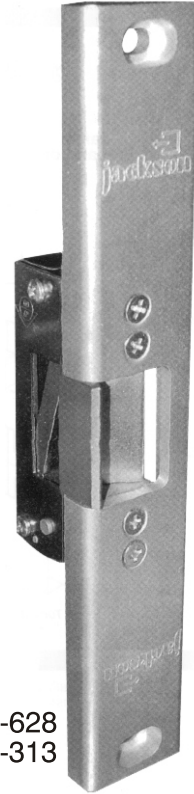


Signal Switch Kit for 1200 Series
 No. 30-2861



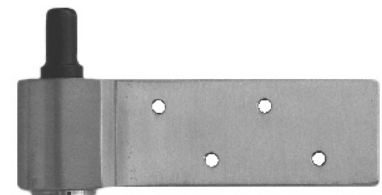
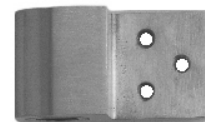
Signal Switch Kit for 20 Series
 No. 30-2989-Color

ELECTRIC STRIKE



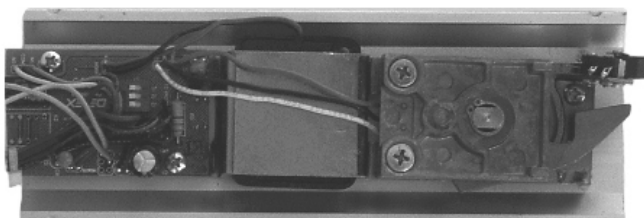
No. 31-ES95-628
 No. 31-ES95-313

4 Wired Pivot



J-69 No. 40-1468E-628
 J-69 No. 40-1468E-313
 J-69S No. 40-1468SE-628
 J-69S No. 40-1468SE-313

Alarm Unit-1200ALK



For use with 1285/1295



10 SERIES EXIT DEVICE



Jackson's 10 Series Exit Device is universally recognized as the standard for aluminum storefront hardware. This crossbar device was designed with simplicity in mind, yet it will provide many years of smooth, reliable operation. Available in both a Rim and Concealed Vertical Rod version this device is suitable for use with narrow, medium and wide stile doors. The 10 Series Exit Device is the perfect solution when considering a reliable, maintenance free Exit Device.

TECHNICAL INFORMATION

FEATURES

- Available as Rim and Concealed Vertical Rod.
- Contoured Crossbar
- Available with Push Paddle operation on active side
 - Paddle engraved with "PUSH"
- Extra heavy-duty lever arms and body
- Wear points insulated by nylon sleeves and rollers
- Dual dogging feature
 - By outside cylinder
 - By dogging pins beneath housing
- Concealed fastening for added security
- Easy installation
- UL Listed for Panic Hardware

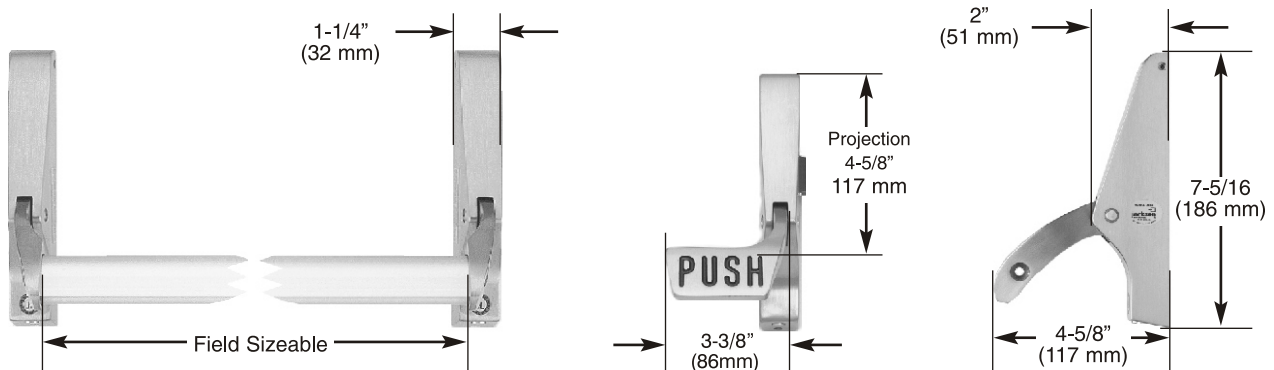
MATERIALS

Body and Arm	High Tensile Strength Aluminum
Paddle	High Tensile Strength Aluminum
Crossbar	Extruded Aluminum
Mechanical Components	Stainless and Plated Steel
Top and Bottom Bolts	Plated Hardened Steel
Rim Latch	Sintered Steel
Strikes	Sintered Steel

FINISH

Standard Anodized Finish:	
Dark Bronze	- DBZ 313
Satin Black	- BLK 335
Satin Aluminum	- US28 / 628

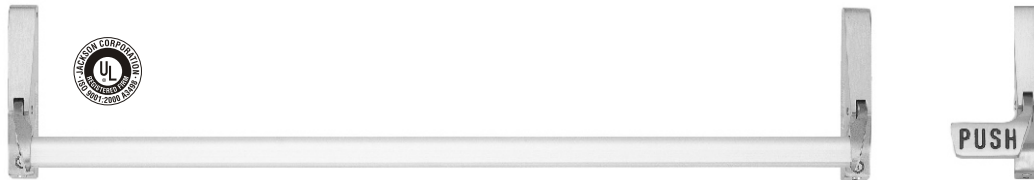
DIMENSIONS - Inch (Metric)





10 SERIES EXIT DEVICE

1085 CONCEALED VERTICAL ROD



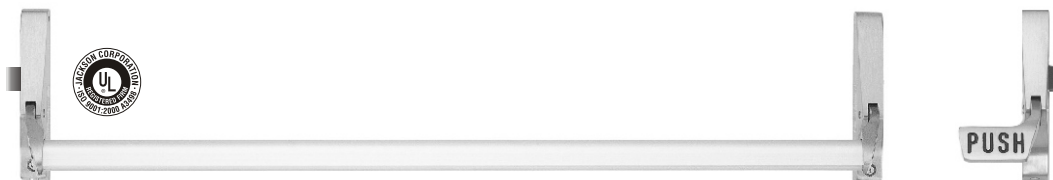
APPLICATION:

- 1-3/4" (44.5 mm) Narrow, Medium and Wide Stile Aluminum Doors.
- Product is shipped for use with standard 1-3/4" (44.5 mm) Thick Doors - 2" (51 mm) Door Mounting is optional

FEATURES:

- Non-Handed
- Independent top and bottom bolt action - 1/2" (13 mm) bolt throw.
- Trigger action, positive bolt release
- Adjustable bolt guides allow bolt adjustment with door installed.
- Requires No. 30-821J Cylinder mounting pad when using mortise cylinder for keyed entry.
- Uses standard mortise cylinder with maximum security (MS) type cam. (Supplied by Others)
- Foam rubber silencers to quiet rod operation.
- Standard mounting package consists of machine screw type fasteners.
- Crossbar mounting height 36-1/2" from bottom of door.
- Rod length shipped standard for 7/0 (2134 mm) high doors. For doors over 7/0 (2134 mm) High:
 - Top Rod Extender - 12" (305 mm) No. 30-1347
 - Top Rod Extender - 24" (609 mm) No. 30-1348
- Top & Bottom Bolt No. 30-763P
- Top & Bottom Strikes No. 30-1084

1095 RIM EXIT DEVICE



APPLICATION:

- Aluminum, wood or hollow metal Doors.
- Product is shipped for use with aluminum or hollow metal doors - Wood door mounting is optional.

FEATURES:

- Handed - Not Reversible
- Uses standard rim cylinder for keyed entry - mounting pad not necessary. (Cylinder supplied by others)
- Dual function operation - Field Selectable:
 - Standard - Key removable in unlocked position
 - Optional - Night Latch function
 - Optional - (Key removable in locked position only)
- Adjustable Strike Options:
 - Surface Mounted Strike:
 - Type "C" (Standard) . . . No. 30-2436
 - Surface Mounted for use with Applied or Blade Stop:
 - Type "S" No. 30-2501



10 SERIES EXIT DEVICE

ACCESSORIES



For Doors Over 7/0 (2134 mm) High:
Top Rod Extender - 12" (305 mm) . . . No. 30-1347
Top Rod Extender - 24" (609 mm) . . . No. 30-1348

Top & Bottom Bolt - 1085

No. 30-763P



Mortise Cylinder
Mounting Pad

No. 30-821J

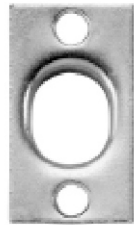


Adjustable
Top & Bottom
bolt guides

Top = No. 30-934
Bottom = No. 30-320

Top & Bottom
Strikes - 2086

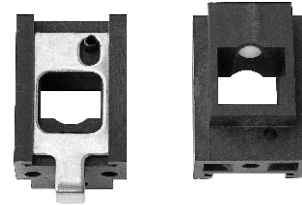
No. 30-1084



Bottom



Top



Top Bolt Trip

No. 30-824



Rim Strike Options - 1095

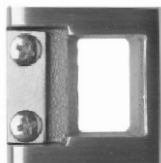
Surface Mounted
Strike - Type "C" (Standard)

No. 30-2436



Surface Mounted for use with
applied or blade stop - Type "S"

No. 30-2501



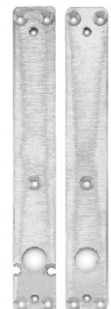
Concealed Vertical
Rod Silencers

No. 30-1552



Wood Door Mounting Kit
for 1095 Rim Device

No. 30-894





1200 SERIES EXIT DEVICE



Jackson's 1200 Series Exit device blends the reliability of our time-proven 10 Series crossbar device with the sleek, contemporary style of today's push-pad exit device. Available as both a Rim and Concealed Vertical Rod Device, the 1200 Series is designed to be both aesthetically pleasing and provide years of reliable, maintenance free operation.

TECHNICAL INFORMATION

FEATURES

- Available as Rim and Concealed Vertical Rod devices.
- "Soft Touch" smooth action push pad.
- Easy access dogging system.
- Optional Cylinder Dogging.
- Available with key controlled and matching inactive outside trim.
- Durable external and internal components for long lasting dependable service.
- Easy to retrofit existing Jackson 10 Series CVR devices.
- Quick and simple installation
- Field sizeable.
- Audible Alarm Package available
- Optional Signage Push Pad for custom messaging.

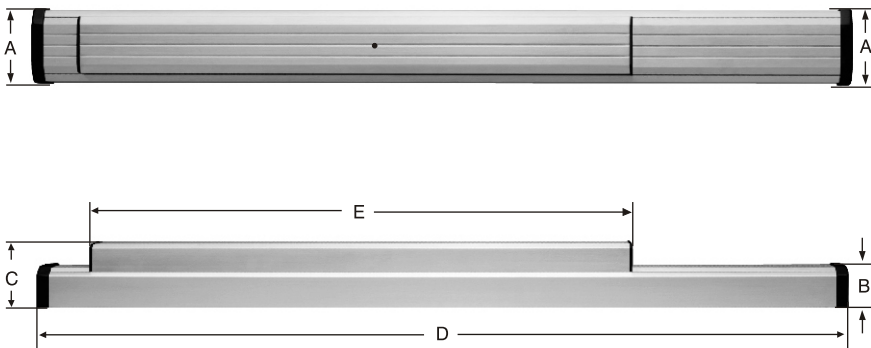
MATERIALS

- Base Extrusion.....Extruded Aluminum
- Push Pad.....Extruded Aluminum
- End Caps.....Black High-impact thermoplastic
- Mechanical Components.Steel
- Top and Bottom Bolts.....Steel
- Rim Latch.....Sintered Steel
- Strikes.....Sintered Steel

FINISH

- Standard Anodized Finish: DBZ 313 - Dark Bronze
- US28/628 - Satin Aluminum

DIMENSIONS - Inch (Metric)



Description	inches	mm
A = Base Height	3-3/16	81
B = Base Projection	1-9/16	40
C = Overall Projection	2-13/16	71
D = Overall Length	Varies with door size	
E = Touch Pad Length	3/0 =24	610
	4/0-2 =24	610



1200 SERIES EXIT DEVICE



1285 CONCEALED VERTICAL ROD

APPLICATION

- Narrow 1-3/4" (45 mm), Medium and Wide Stile Aluminum Doors.
- Product is shipped for use with standard 1-3/4" (45 mm) Thick Doors - 2" (51 mm) Door Mounting is optional.

FEATURES

- Concealed Vertical Rod features top and bottom bolt design.
- Independent top and bottom bolt action 5/8" (15 mm) bolt throw.
- Trigger action, positive bolt throw.
- Adjustable bolt guides allow bolt adjustment with door installed.
- Handed – Not Reversible.
- Requires No. 30-821J Cylinder mounting pad when using mortise cylinder for keyed entry.

- Uses standard mortise cylinder with maximum security (MS) type cam. (Supplied by Others)
- Foam rubber washers to help quiet rod operation.
- Standard mounting package consists of machine screw type fasteners.
- Pushpad Center Line mounting height = 40" (1016 mm) from door bottom.
- Rod length shipped standard for 7/0 (2134 mm) high doors.
For doors over 7/0 (2134 mm) High:
 - Top Rod Extender - 12" (305 mm).No. 30-1347
 - Top Rod Extender - 24" (609 mm).No. 30-1348
- Top & Bottom Bolt No. 30-763P
- Top & Bottom StrikesNo. 30-1084

1295 RIM EXIT DEVICE



APPLICATION

- Aluminum, Wood or Hollow Metal Doors.

FEATURES

- Rim device features 3/4" (19 mm) throw latchbolt.
- Non-Handed
- Uses standard rim cylinder for keyed entry - mounting pad not necessary. (Cylinder supplied by Others)
- Strike Options:
 - Surface Mounted Strike - Type "C" (Standard)No. 30-2436
 - Surface Mounted for use with applied or blade stop - Type "S" No. 30-2501
 - Strike Plate for 1-3/4" (45 mm) Stile Doors or Mortised Strike No. 30-2519
- Field Sizeable.
 - Door Widths: 28 - 48 Inches (711 - 1219 mm)
 - Door Heights: 1275 - 80 Inches (2032 mm) - 120 Inches (3048 mm)



1200 SERIES EXIT DEVICE



1206 MID PANEL

APPLICATION

- For 1-3/4" (44.5mm) Narrow, Medium and Wide Stile Aluminum Doors.
- Product is shipped for use with standard 1-3/4" (44.5 mm) Thick Doors - 2" (51 mm) Door Mounting is optional

FEATURES

- Handed - Not Reversible
- Available with Top Pullman Latch Design
- Concealed fastening for complete security
- Standard hex key dogging
- Dual dogging feature
 - By outside cylinder
 - By standard hex key dogging Outside Trim.
- Minimum pressure anywhere along push pad will activate device.
- Push pad mounting height centerline at 40" from bottom of door.
- UL listed for Panic Hardware

MATERIALS

- Base Extrusion.....Extruded Aluminum
- Filler Panel..... Extruded Aluminum
- Push Pad.....Extruded Aluminum
- Mechanical Components Stainless & Hardened Steel
- Top Latch.....Sintered Steel
- Strikes.....Steel

FINISH

- Standard Anodized Finish: DBZ 313 - Dark Bronze
- US28/628 - Satin Aluminum



1275 SURFACE VERTICAL ROD



APPLICATION

- The 1275 model is an Surface Vertical Rod device suitable for wood or Metal Doors.

FEATURES

- Non-Handed
- Field Sizeable.
 - Door Widths: 28 - 48 Inches (711 - 1219 mm)
 - Door Heights: 1275 - 80 Inches (2032 mm) - 120 Inches (3048 mm)
- Touchbar mounting height centerline at 40 Inches (1016 mm) from bottom of door.
- Completely covered active surface rods for increased security.
- Top Latch & Strike - A specially engineered Jackson C-Top Latch and latch-mating strikes designed for increased safety and security.
- Bottom Latch & Strike - designed to use a pullman-type bottom latch and appropriate strike.



1200 SERIES EXIT DEVICE

ACCESSORIES



For Doors Over 7'0 (2134 mm) High:
Top Rod Extender - 12" (305 mm) . . . No. 30-1347
Top Rod Extender - 24" (609 mm) . . . No. 30-1348

Top & Bottom Bolt -1285
No. 30-763P

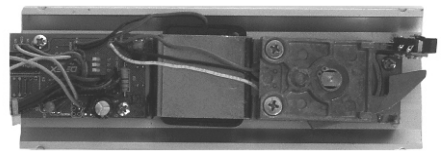


Mortise Cylinder
Mounting Pad

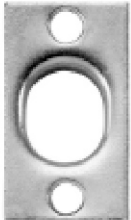


No. 30-821J

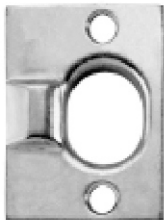
Alarm Unit
No. 30-2170



Top & Bottom Strikes - 1285
No. 30-1084

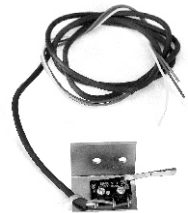


Bottom

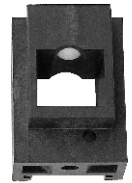
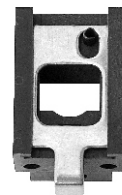


Top

Signal Switch Kit No. 30-2861



Adjustable
Top & Bottom
bolt guides



Top = No. 30-934
Bottom = No. 30-320

Rim Strike Options - 1295

Surface Mounted
Strike - Type "C" (Standard)

No. 30-2436



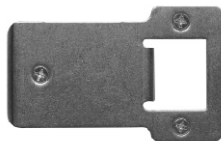
Surface Mounted
for use with applied or
blade stop - Type "S"

No. 30-2501



Strike Plate for Mortise
Strike - Type "A"

No. 30-2519



Top Bolt Trip 2086

No. 30-824



Concealed Vertical
Rod Silencers

No. 30-1552



10 Series to 12 Series
Retrofit Kit
No. 30-2513



20 SERIES EXIT DEVICE



Jackson's 20 Series Exit device is designed to withstand the rigors of today's world yet remain aesthetically pleasing. Each part is manufactured from the highest quality materials, which are hand fitted and adjusted for a smooth, whisper quiet operation. Available in both a Rim and Concealed Vertical Rod models, this device is suitable for use with narrow, medium and wide stile aluminum, wood or hollow metal doors.

TECHNICAL INFORMATION

FEATURES

- Handed - Not Reversible
- Available as Rim and Concealed Vertical Rod.
- Certified ANSI 156.3 Grade 1.
- Concealed Vertical Rod model is available with either Top Bolt or Top Latch design.
- Available with Key Controlled and matching inactive dummy trim.
- Concealed easy to use dogging system
- Optional Front Dogging or Cylinder Dogging available
- Concealed fastening for added security
- "Soft Touch" smooth action push pad
- Durable external and internal components for long lasting, dependable service.
- Quick and easy installation
- UL Listed for Panic Hardware
- Trim available for the 20 Series

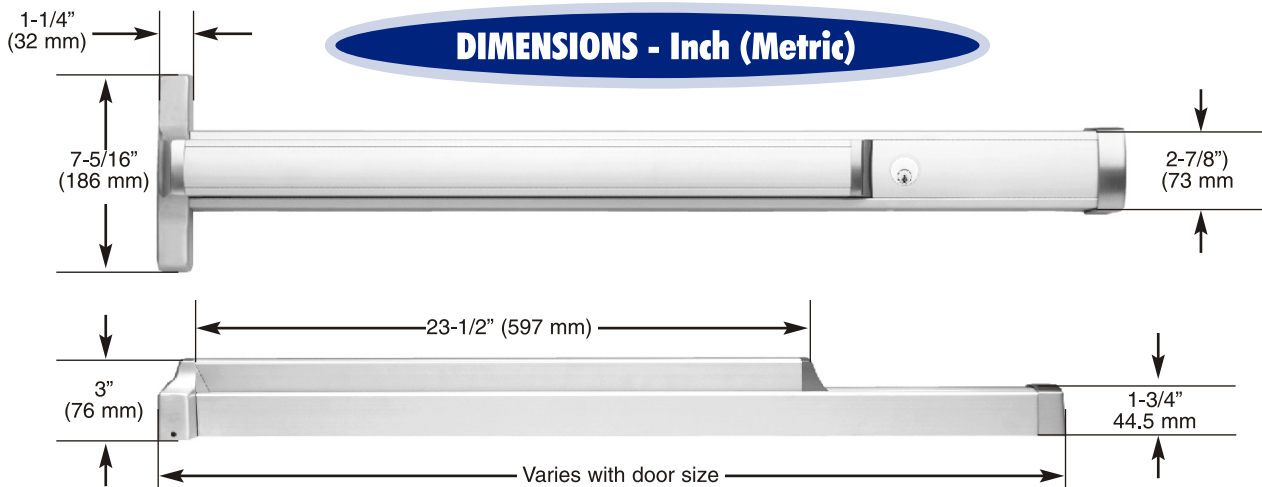
MATERIALS

Base Extrusion	Extruded Aluminum
Push Pad	Extruded Aluminum
Active Housing & End Caps	Die Cast Aluminum
Mechanical Components	Stainless & Hardened Steel
Top and Bottom Bolts	Plated Hardened Steel
Top & Rim Latch	Sintered Steel
Strikes	Sintered Steel

FINISH

Standard Anodized Finish:	DBZ 313	- Dark Bronze
	US28/628	- Satin Aluminum
Standard Architectural Finish:	US26/625	- Polished Chrome
	US3/605	- Polished Brass

DIMENSIONS - Inch (Metric)





20 SERIES EXIT DEVICE

2085 & 2086 CONCEALED VERTICAL ROD



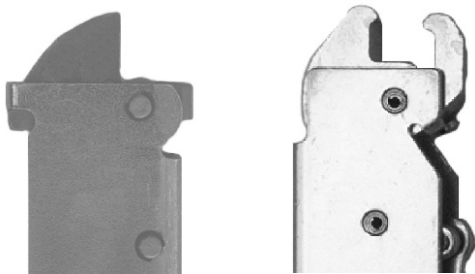
APPLICATION

- 1-3/4" (45 mm) Narrow , Medium and Wide Stile Aluminum Doors.
- Product is shipped for use with standard 1-3/4" (45 mm) Thick Doors - 2" (51 mm) Door Mounting is optional.

FEATURES

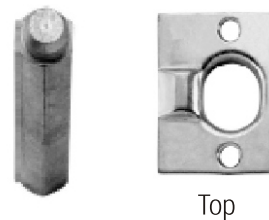
- Handed - Not Reversible
- Adjustable bolt guides allow bolt adjustment with door installed.
- Requires No. 30-821J Cylinder mounting pad when using mortise cylinder for keyed entry.
- Uses standard mortise cylinder with maximum security (MS) type cam. (Supplied by Others)
- Foam rubber silencers to quiet rod operation.
- Standard mounting package consists of machine screw type fasteners.
- Touchbar mounting height centerline at 38" (965 mm) from bottom of door.

2085 TOP LATCH



- Positive locking, spring loaded top latch design for increased security.
- Rod length shipped standard for 7/0 (2134 mm) high doors.
For doors over 7/0 (2134 mm) High:
 - Top Rod Extender - 12" (305 mm) No. 30-1347
 - Top Rod Extender - 24" (609 mm) No. 30-1348
- Top Strike No. 30-1305
- Bottom Bolt No. 30-763P
- Bottom Strike No. 30-412
- Pullman Latch (Optional) No. 30-2770

2086 TOP BOLT



- Independent top and bottom bolt action - 1/2" (13 mm) bolt throw.
- Trigger action, positive bolt release
- Rod length shipped standard for 7/0 (2134 mm) high doors.
For doors over 7/0 (2134 mm) High:
 - Top Rod Extender - 12" (305 mm) No. 30-1347
 - Top Rod Extender - 24" (609 mm) No. 30-1348
- Top & Bottom Bolt No. 30-763P
- Top & Bottom Strikes No. 30-1084



20 SERIES EXIT DEVICE

2095 RIM EXIT DEVICE



APPLICATION

- Aluminum, Wood or Hollow Metal Doors.

FEATURES

- Uses standard rim cylindr for keyed entry - mounting pad not necessary. (Cylinder supplied by others).
- 3/4" (19 mm) Throw Deadlocking Latchbolt.
- Standard mounting package consists of machine screw type fasteners - Optional Wood Door Mounting Kit No. 30-2521
- Adjustable Strike Options:

Surface Mounted Strike:	Type "C" (Standard).....No. 30-2436
Surface Mounted for use with Applied or Blade Stop:	Type "S"No. 30-2501

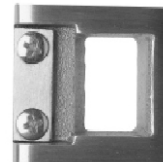
Surface Mounted
Strike - Type "C" (Standard)

No. 30-2436



Surface Mounted
for use with applied or
blade stop - Type "S"

No. 30-2501



See **Access Control** section for more options.



20 SERIES EXIT DEVICE

ACCESSORIES



For Doors Over 7/0 (2134 mm) High w/Top Bolt (2086):
Top Rod Extender - 12" (305 mm) . . . No. 30-1347
Top Rod Extender - 24" (609 mm) . . . No. 30-1348

Top & Bottom Bolt

No. 30-763P



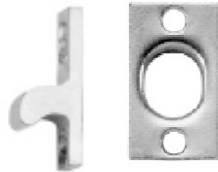
Mortise Cylinder
Mounting Pad

No. 30-821J

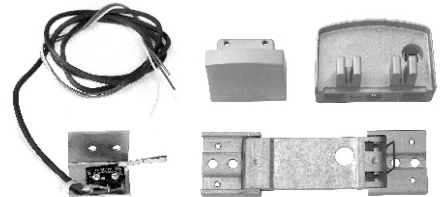


Top & Bottom
Strikes - 2085:

No. 30-1345

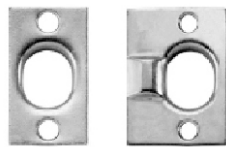


Signal Switch
No. 30-2989



Top & Bottom
Strikes - 2086

No. 30-1084

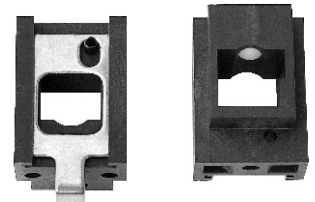


Bottom

Top

Adjustable
Top & Bottom
bolt guides

Top = No. 30-934
Bottom = No. 30-321



Rim Strike Options - 2095

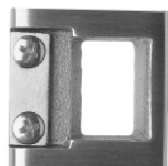
Surface Mounted
Strike - Type "C" (Standard)

No. 30-2436



Surface Mounted
for use with Applied or
Blade stop - Type "S"

No. 30-2501



Concealed Vertical
Rod Silencers

No. 30-1552



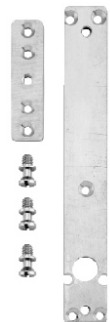
Top Bolt Trip

No. 30-824



Wood Door Mounting Kit
for 2095 Rim Device

No. 30-2521





3100 SERIES MID-PANEL EXIT DEVICE



Jackson's 3100 Series Mid-Panel Exit Device is designed as a non-protruding push-pad exit device providing maximum clearance while maintaining an aesthetically pleasing look. Developed in the Jackson tradition of high quality and durability, this exit device is suitable for use with narrow, medium and wide stile aluminum doors.

TECHNICAL INFORMATION

APPLICATION

- For 1-3/4" (44.5mm) Narrow, Medium and Wide Stile Aluminum Doors.
- Product is shipped for use with standard 1-3/4" (44.5 mm) Thick Doors - 2" (51 mm) Door Mounting is optional

FEATURES

- Handed - Not Reversible
- Available with Pullman Top Latch Design
- Concealed fastening for complete security
- Standard hex key dogging
- Dual dogging feature
 - By outside cylinder
 - By standard hex key dogging
- Minimum pressure anywhere along push pad will activate device.
- Push pad mounting height centerline at 38" from bottom of door.
- UL listed for Panic Hardware

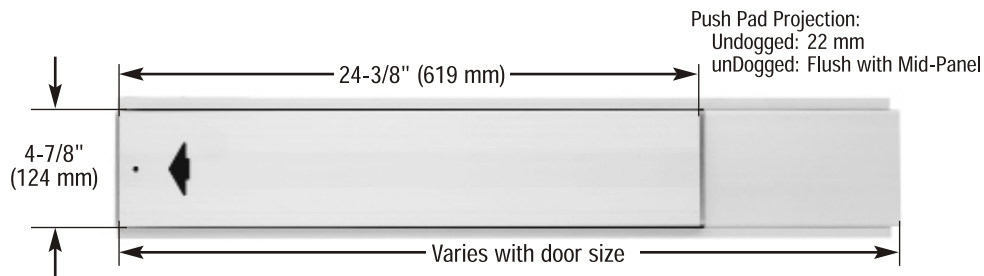
MATERIALS

- Base Extrusion.....Extruded Aluminum
- Filler Panel..... Extruded Aluminum
- Push Pad.....Extruded Aluminum
- Mechanical Components Stainless & Hardened Steel
- Bottom Bolt.....Plated Hardened Steel
- Pullman Top Latch.....Sintered Steel
- Strikes.....Steel

FINISH

- Standard Anodized Finish: DBZ 313 - Dark Bronze
- US28/628 - Satin Aluminum

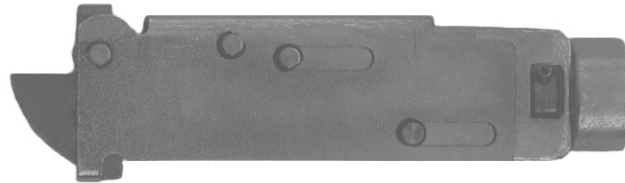
DIMENSIONS





3100 SERIES MID-PANEL EXIT DEVICE

3185 TOP LATCH



PAT. PENDING

- Positive locking, spring loaded, Pullman top latch design for increased security.
- Adjustable bottom bolt guide for easy bolt adjustment with door installed.
- Foam rubber silencers to quiet rod operation.
- Cylinder Mounting Pads for keyed entry or Lever Trim. (Cylinder provided by others)
Mortise cylinder Mounting Pad No. 30-821B is required.

OPTIONS

• **ENGRAVED PUSH PAD - "PUSH"**

Model No. 3185P or 3186P

• **INACTIVE MID-PANEL DEVICE**

Model No. 3185D

Plain Push Pad - No Engraving

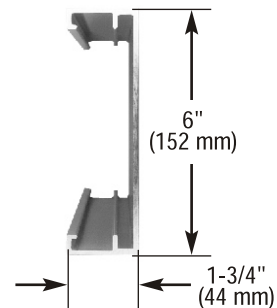


MID-PANEL INSTALLATION KITS

3058 EXTRUSION AND FILLER PANEL - STOCK LENGTHS

Kit includes pre-cut Base Extrusion and Filler Panel necessary to install 3185 and 3186 Mid-Panel Exit Device

3/0 Kit for door width thru 36" (1914 mm) No. 3058-3
 3/6 Kit for door width thru 42" (1067 mm) No. 3058-36
 4/0 Kit for door width thru 48" (1219 mm) No. 3058 4



3050 BASE EXTRUSION - STOCK LENGTH

Base Extrusion only: 11'-4" (345.5 cm) Stock Length

3052 FILLER PANEL EXTRUSION - STOCK LENGTH

Filler Panel Extrusion Only: 11'-4" (345.5 cm) Stock Length





3100 SERIES MID-PANEL EXIT DEVICE

ACCESSORIES

For Doors Over 7/0 (2134 mm) High:

For Top Bolt - 3185:

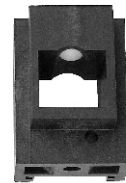
Top Rod Extender - 12" (305 mm) No. 30-1347

Top Rod Extender - 24" (609 mm) No. 30-1348



Adjustable
Bottom bolt guide

Bottom = No. 30-320



Cylinder Mounting Pads
(Cylinder provided by others)
For 3185 - Rim cylinder - required:
For 3185 - No. 30-821E
For 3186 - Mortise cylinder:
For 3185 - No. 30-821B



Low Profile Tie-Rod Nut (3/8 - 20)
Will provide latch clearance
in narrow stile tie-rod door

No. 30-1709

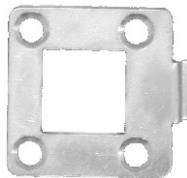


Top & Bottom Strikes

For 3185 - No. 30-2775-XXX



Bottom



Top

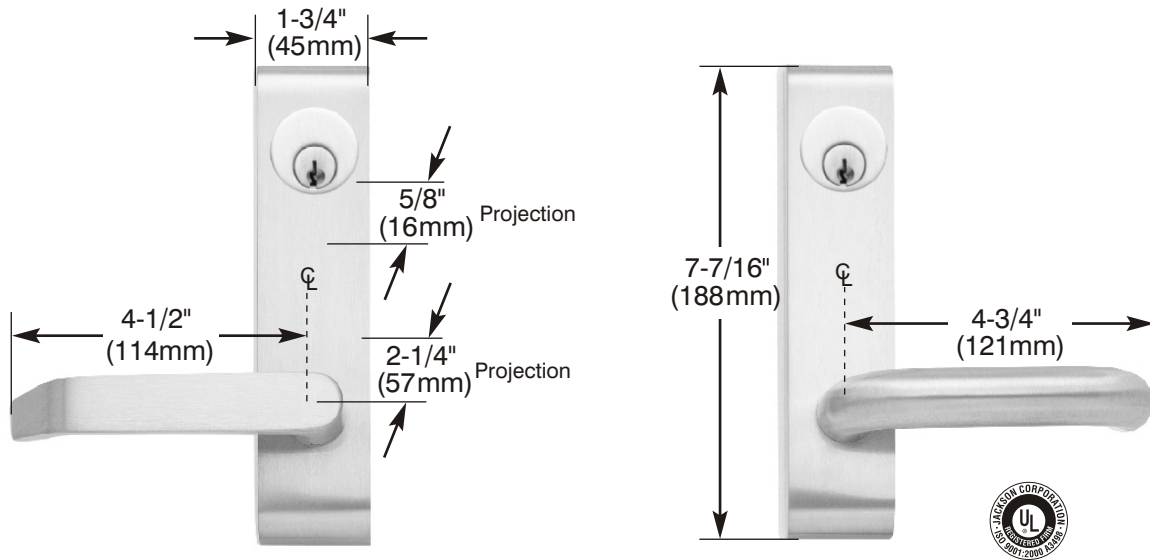
Concealed Vertical
Rod Silencers

No. 30-1552





OUTSIDE TRIM



TECHNICAL INFORMATION

APPLICATIONS

- Key controlled outside trim is available for use with all Jackson Exit Devices. **(Excludes 1095)**
- Product is shipped for use with standard 1-3/4" (45mm) Thick Doors - 2" (51mm) Door Mounting is optional.

FEATURES

- Uses standard cylinder (Supplied by Others)
 - CVR Device: 1" (25mm) Mortise cylinder with MS type cam.
 - Rim Devices: 1" (25mm) Mortise cylinder with MS type cam.
- Non-Handed
- Thru-bolted with machine screws
- Available Trim Configuration:
 - Lever - Flat Style
 - Lever - Rounded
 - Matching Inactive Dummy Trim
- Electrified Trim (24 Volts, AC/DC)

MATERIALS

Escutcheon..... Extruded Aluminum
 Lever Aluminum
 Mechanical Components..... Plated Hardened Steel

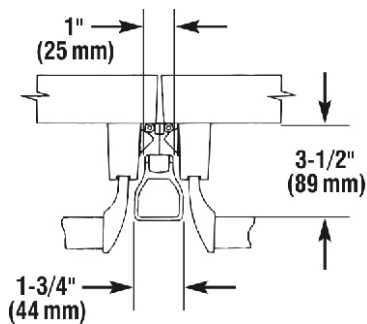
FINISH

Standard Finished:
 DBZ 313 - Anodized Dark Bronze
 US28/628 - Anodized Satin Aluminum



896 REMOVABLE MULLION

The Jackson 896 Removable Mullion is an extra heavy-duty, reinforced extruded aluminum mullion for use with paired doors equipped with pullman-type rim latch exit devices. The mullion is easily removed to provide increased opening when needed.



FEATURES:

- Aesthetically pleasing design
- Supplied with paired stabilizers to inhibit door deflection
- Supplied with installed Rim Strike package
- Standard Lengths = 196" (2438 mm)
- Standard Lengths = 120" (3048 mm)
- Field Sizeable

MATERIAL:

Body Extruded Aluminum
 Stabilizer Aluminum
 Mounting Shoe Bronze

FINISHES:

Standard Finishes: DBZ 31328- Anodized Dark Bronze
 Standard Finishes: US28 / 628 - Anodized Satin Aluminum

Mounting Package
 Top & Bottom Shoe

No. 30-702



Rim Strike Package (Pair)

For 1095 No.30-784
 For 1295 No. 30-2497
 For 2095 No. 30-2530



Stabilizer Packages

2-Piece Package
 for Single Door
 No. 30-737

4-Piece Package
 for Pair of Doors
 No. 30-703





9613 INTERLOCKING ASTRAGAL



The Jackson 9613 Interlocking Astragal is designed to automatically and quietly close the gap between active paired doors without the use of a door coordinator. The astragal provides security by restricting the insertion of devices through the doors gap, as well as provide a light, dust and weather seal.

APPLICATION:

- Wood or Metal Doors
- Adaptable for use with Center-Hung, Offset Pivot or Butt Hinge
- Door heights: Standard Lengths = 84" (2134 mm)
- Door heights: Standard Lengths = 96" (2438 mm)

FEATURES:

- Non-Handed
- Field Sizeable
- Concealed screw mounting
- Separate spring-actuated hinged leaf for each door.

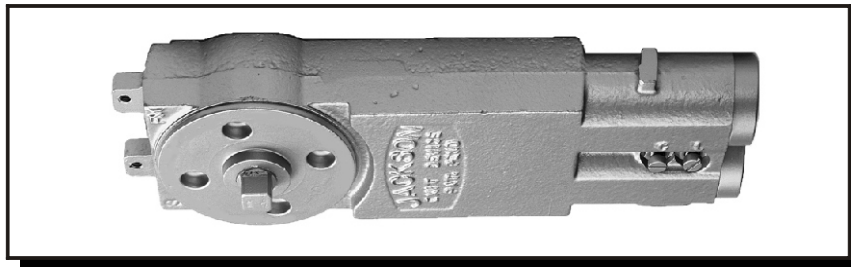
MATERIALS:

Extruded Aluminum

FINISH:

Standard Finishes: DBZ 313 - Anodized Dark Bronze
Standard Finishes: US28 / 628 - Anodized Satin Aluminum

HOW TO ORDER OVERHEAD CONCEALED CLOSER'S



HOW TO ORDER

21 - 1 0 1 - P - 628 - 01 - B

- ↑ Backcheck: B=With Optional Adjustable Backcheck (ANSI-Grade 1 Closers Only)
- ↑ Swing, Function & Size: ←
- ↑ Finish Offset Package: US28/628 = Satin Aluminum
DBZ 313 = Dark Bronze
- ↑ Package Type: See Current Jackson Catalog for Standard Packages
M = Closer Mechanism Only
- ↑ Spindle Type: 1 = 1/2" (12.7mm) Standard Length
4 = 7/8" (22.2mm) Medium Spindle
6 = 1-13/64 (46mm) Long Spindle
- ↑ Closer Type: 0 = Standard Closer
1 = ANSI - Grade 1 (A156.4)
- ↑ Application: 1 = Overhead Center-Hung Package or Mechanism Only
2 = Overhead Offset Package
- ↑ Product Group: 20 = Closer Mechanisms & Accessories
21 = Closer Package

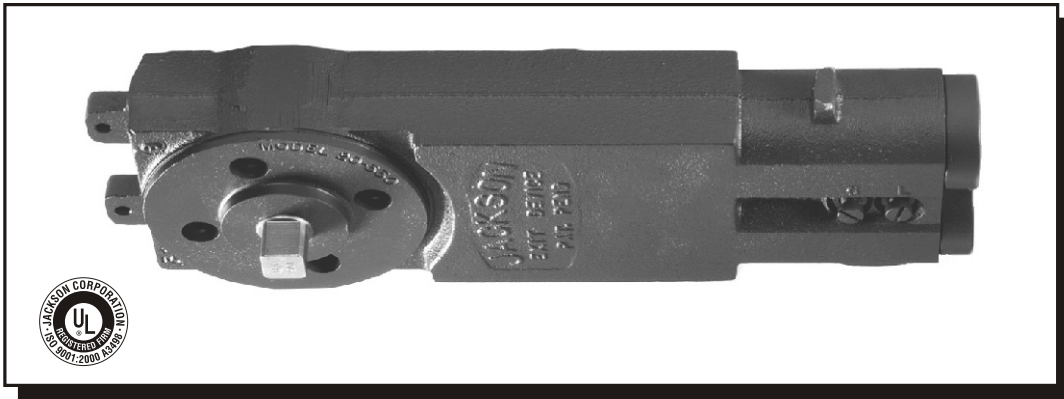
NOTE: Packed 6 per Master Carton

SWING FUNCTION SIZE

01	= 105°	NH	RD
02	= 105°	HO	RD
03	= 90°	NH	RD
04	= 90°	HO	RD
05	= 105°	NH	LD
06	= 105°	HO	LD
07	= 90°	NH	LD
08	= 90°	HO	LD
09	= 105°	NH	HD
10	= 105°	HO	HD
11	= 90°	NH	HD
12	= 90°	HO	HD
13	= 105°	NH	XLD
14	= 105°	HO	XLD
15	= 90°	NH	XLD
16	= 90°	HO	XLD
NOTE: ADJ Not Available with ANSI Grade 1 Closer			
17	= 105°	NH	ADJ
18	= 105°	HO	ADJ
19	= 90°	NH	ADJ
20	= 90°	HO	ADJ
NOTE: 120° Available with ANSI Grade 1 Closer ONLY			
21	= 120°	NH	RD
22	= 120°	HO	RD
23	= 120°	NH	LD
24	= 120°	HO	LD
25	= 120°	NH	HD
26	= 120°	HO	HD
27	= 120°	NH	XLD
28	= 120°	HO	XLD



STANDARD OVERHEAD CONCEALED CLOSERS



The Jackson 20-330 Series Overhead Concealed Closer has been the leader in the industry for more than 35 years. The closer is manufactured in the U.S.A. under strict ISO 9001 guidelines and is designed to give long lasting, maintenance-free performance. This closer is truly universal. One basic closer mechanism allows for single or double acting, center-hung or offset applications and is non-handed. Suitable for both interior and exterior installations, it provides complete door control in a compact and concealed design. Available in 4 fixed spring sizes or adjustable spring power, making this the ideal closer for aluminum, wood or hollow metal doors and frames.

TECHNICAL INFORMATION

DIMENSIONS: All Jackson 20-330 Series Overhead Closers are the same size and fit into a 1-3/4" x 4" (44.5 x 101.5mm) header.

LENGTH: 11-5/8" (295 mm)

HEIGHT: 1-1/2" (38mm)

WIDTH: 3-11/16" (94mm)

WEIGHT: Mechanism Only 8 lbs. (3.6 kg)

Center-Hung Package. 10 lbs. (4.5 kg)

Offset Package. 11lbs. (5.0 kg)

NOTE: Weights will vary depending on Package type

ACTION: Non-Handed Design
Single or Double Acting
Center-Hung or Offset Applications

WARRANTY: Guaranteed to be free from defects in materials and workmanship for 5 years from date of shipment.

ACCESSORIES: Complete selection of Arms, Pivots, Mounting Brackets and optional accessories.

OPTIONS:

• **EXTENDED LENGTH SPINDLE:**

Standard Spindle. . . . 1/2" (13 mm)

Medium Spindle 7/8" (22 mm)

Long Spindle . . . 1-13/64" (31 mm)

FEATURES:

• **DUAL VALVE CLOSING CONTROL** - Both sweep and latch speeds are adjustable.

• **FOUR FIXED SPRING SIZES:**

XLD = Extra Light Duty

LD = Light Duty

RD = Regular Duty

HD = Heavy Duty

NOTE: See the Closer Operational and Size Selector Charts on page C2 to determine proper closer size for the application.

• **90° or 105° Swing**

• **HOLD or NON-HOLD OPEN**

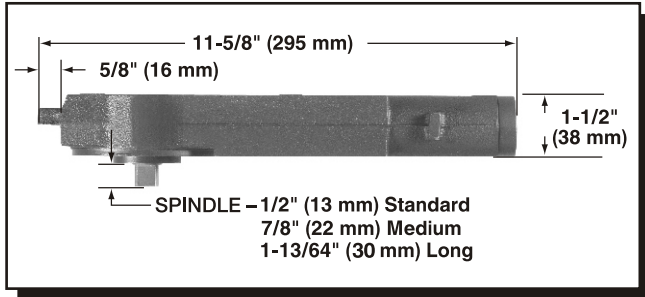
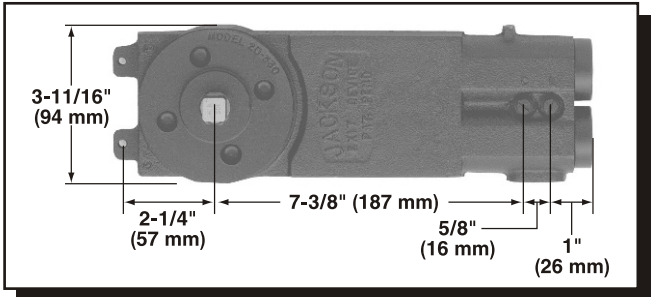
• **UL LISTED, MEETS UL228 (NON-HOLD ONLY)**

• **CUSHION BACKSTOP:** Provides cushion stop to protect both the closer and opening from damage.



STANDARD OVERHEAD CONCEALED CLOSERS

DIMENSIONS - Inch (Metric)



CLOSER OPERATIONAL DATA

APPROXIMATE OPENING FORCE IN POUNDS								
	CENTER HUNG				OFFSET SLIDE-ARM			
	2/6 x 7/0	3/0 x 7/0	3/6 x 7/0	4/0 x 7/0	2/6 x 7/0	3/0 x 7/0	3/6 x 7/0	4/0 x 7/0
Adjustable				N/A				
Extra Light Duty	6	4.5	4	N/A	8	6	5.5	5
Light Duty	10	8	6	5	14	12	10	8
Regular Duty	12	10	8	6	17	14.5	13	11
Heavy Duty	17	15	13	11	N/A	19	17	15

= Adjustable opening force 5 lbs to 8.5 lbs for barrier-free applications for door width noted.
 N/A = Application not recommended.
NOTE: Readings are in *pound force* required to open door and are taken at the lock stile to full degree of opening.

CLOSER SELECTION CHART		
CLOSER	Maximum Interior Door	Maximum Exterior Door
Adjustable	3'-6" (1067 mm)	3'-0" (914 mm)
Extra Light Duty	3'-0" (914 mm)	2'-6" (762 mm)
Light Duty	3'-6" (1067 mm)	3'-0" (914 mm)
Regular Duty	3'-6" (1067 mm)	3'-0" (914 mm)
Heavy Duty	4'-0" (1219 mm)	3'-6" (1067 mm)

SPRING POWER ADJUSTMENT DATA

Closer leaves factory set at size *LD* for a 3'-0" (914 mm) door.

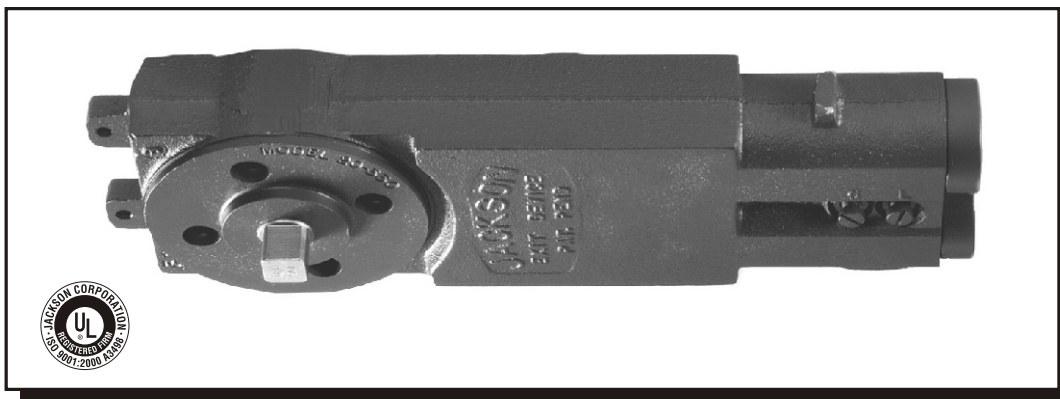
To change opening force 1 size takes approximately 4 turns

- Clockwise to increase
- Counter-clockwise to decrease

- NOTES:**
1. All recommendations are based on average conditions. Tall doors or doors that may be subjected to wind, draft or extreme air conditioning may require the next size closer
 2. An auxiliary floor or overhead door stop is always recommended to prevent structural interference and possible door and closer damage due to over-extension of maximum allowable door swing.



ADJUSTABLE OVERHEAD CONCEALED CLOSERS



The Jackson 20-330 Series Overhead Concealed Closer has been the leader in the industry for over 35 years. The closer is manufactured in the U.S.A. under strict ISO 9001 guidelines and is designed to give long lasting, maintenance free performance. This closer is truly universal. One basic closer mechanism allows for single or double acting, center-hung or offset applications and is non-handed. Suitable for both interior and exterior installations, it provides complete door control in a compact and concealed design. The adjustable spring power, makes this the ideal closer for aluminum, wood or hollow metal doors and frames.

TECHNICAL INFORMATION

DIMENSIONS: All Jackson 20-330 Series Overhead Closers are the same size and fit into a 1-3/4" x 4" (44.5 x 101.5mm) header.

LENGTH: 11-5/8" (295 mm)

HEIGHT: 1-1/2" (38mm)

WIDTH: 3-11/16" (94mm)

WEIGHT: Mechanism Only 8 lbs. (3.6 kg)

Center-Hung Package. 10 lbs. (4.5 kg)

Offset Package. 11lbs. (5.0 kg)

NOTE: Weights will vary depending on Package type

ACTION: Non-Handed Design
Single or Double Acting
Center-Hung or Offset Applications

WARRANTY: Guaranteed to be free from defects in materials and workmanship for 5 years from date of shipment.

ACCESSORIES: Complete selection of Arms, Pivots, Mounting Brackets and optional accessories.

OPTIONS:

• **EXTENDED LENGTH SPINDLE:**

Standard Spindle. . . . 1/2" (13 mm)

Medium Spindle 7/8" (22 mm)

Long Spindle . . . 1-13/64" (31 mm)

FEATURES:

• **DUAL VALVE CLOSING CONTROL** - Both sweep and latch speeds are independently adjustable.

NOTE: See the Closer Operational and Size Selector Charts on page C4 to determine proper closer size for the application.

• **ADJUSTABLE SPRING POWER** - Size XLD (2) thru RD (4)
This allows you to set an opening force which will meet Barrier-Free requirements for both interior and exterior doors in one closer.

• **90° or 105° Swing**

• **HOLD or NON-HOLD OPEN**

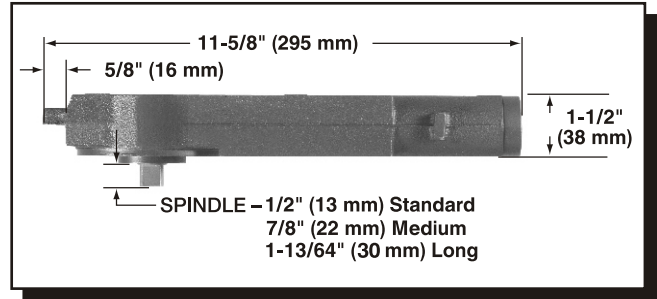
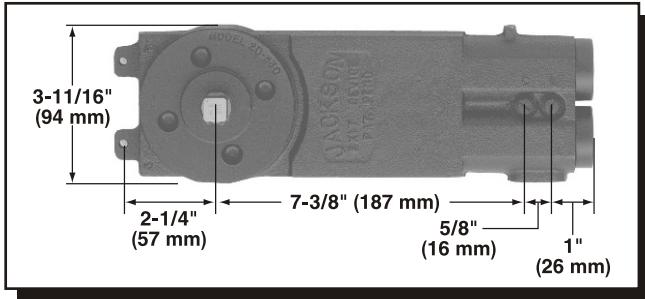
• **UL LISTED, MEETS UL228 (NON-HOLD ONLY)**

• **CUSHION BACKSTOP:** Provides cushion stop to protect both the closer and opening from damage.



ADJUSTABLE OVERHEAD CONCEALED CLOSERS

DIMENSIONS - Inch (Metric)



CLOSER OPERATIONAL DATA

APPROXIMATE OPENING FORCE IN POUNDS								
	CENTER HUNG				OFFSET SLIDE-ARM			
	2/6 x 7/0	3/0 x 7/0	3/6 x 7/0	4/0 x 7/0	2/6 x 7/0	3/0 x 7/0	3/6 x 7/0	4/0 x 7/0
Adjustable				N/A				
Extra Light Duty	6	4.5	4	N/A	8	6	5.5	5
Light Duty	10	8	6	5	14	12	10	8
Regular Duty	12	10	8	6	17	14.5	13	11
Heavy Duty	17	15	13	11	N/A	19	17	15

= Adjustable opening force 5 lbs to 8.5 lbs for barrier-free applications for door width noted.
 N/A = Application not recommended.
NOTE: Readings are in *pound force* required to open door and are taken at the lock stile to full degree of opening.

CLOSER SELECTION CHART		
CLOSER	Maximum Interior Door	Maximum Exterior Door
Adjustable	3'-6" (1067 mm)	3'-0" (914 mm)
Extra Light Duty	3'-0" (914 mm)	2'-6" (762 mm)
Light Duty	3'-6" (1067 mm)	3'-0" (914 mm)
Regular Duty	3'-6" (1067 mm)	3'-0" (914 mm)
Heavy Duty	4'-0" (1219 mm)	3'-6" (1067 mm)

SPRING POWER ADJUSTMENT DATA

Closer leaves factory set at size *LD* for a 3'-0" (914 mm) door.

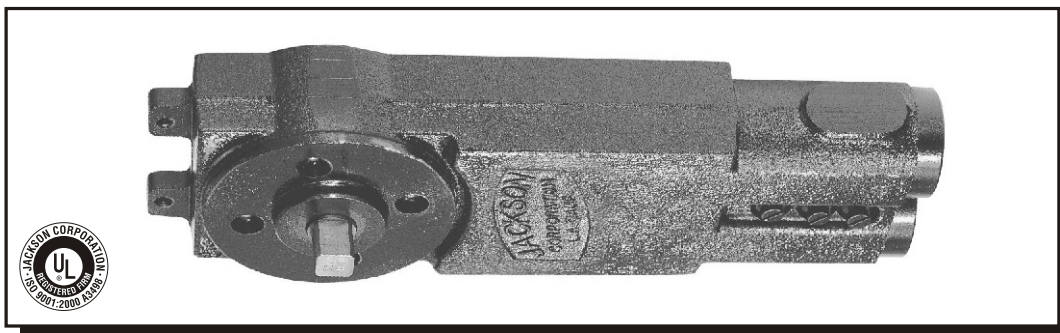
To change opening force 1 size takes approximately 4 turns

- Clockwise to increase
- Counter-clockwise to decrease

- NOTES:** 1. All recommendations are based on average conditions. Tall doors or doors that may be subjected to wind, draft, or extreme air conditioning may require the next size closer.
- NOTES:** 2. Although the adjustable spring power closer can be adjusted to compensate for site conditions, adequate closing force may not be obtained while complying with barrier-free opening force restrictions.
- NOTES:** 3. An auxiliary floor or overhead door stop is always recommended to prevent structural interference and possible door and closer damage due to over-extension of maximum allowable door swing.



ANSI GRADE 1 CLOSER



The Jackson 20-330 Series Grade 1 Overhead Concealed Closer meets ANSI/BHMA Grade 1 Closer requirements. The closer is manufactured in the U.S.A. under strict ISO 9001 guidelines and is designed to give ultimate durability and maintenance free service. This closer is truly universal. One basic closer mechanism allows for single or double acting, center-hung or offset applications and is non-handed. Suitable for both interior and exterior installations, it provides complete door control in a compact and concealed design suitable for aluminum, glass, wood and hollow metal doors. Available in 4 fixed spring sizes with an optional hydraulic backcheck that will provide the ultimate protection from wind or violent door swings without impeding normal traffic flow.

TECHNICAL INFORMATION

DIMENSIONS: All Jackson 20-330 Series Overhead Closers are the same size and fit into a 1-3/4" x 4" (44.5 x 101.5 mm) header.

LENGTH: 11-5/8" (295 mm)

HEIGHT: 1-1/2" (238 mm)

WIDTH: 3-11/16" (294 mm)

WEIGHT: Mechanism Only 8 lbs. (3.6 kg)

Center-Hung Package . . . 10 lbs. (4.5 kg)

Offset Package 11 lbs. (5.0 kg)

NOTE: Weights will vary depending on Package type

ACTION: Non-Handed Design

ACTION: Single or Double Acting

ACTION: Center-Hung or Offset Applications

WARRANTY: Guaranteed to be free from defects in materials and workmanship for 10 years from date of shipment.

ACCESSORIES: Complete selection of Arms, Pivots, Mounting Brackets and optional accessories.

OPTIONS:

EXTENDED LENGTH SPINDLE:

Standard Spindle . . . 1/2" (13mm)

Medium Spindle . . . 7/8" (22mm)

Long Spindle . . . 1-13/64" (31mm)

FEATURES:

• **BACKCHECK:** Fully adjustable hydraulic backcheck provides the ultimate protection from wind or violent door swings to prevent damage to the closer and opening without impeding normal traffic flow.

• **DUAL VALVE CLOSING CONTROL** – Both sweep and latch speeds are independently adjustable.

• **FOUR FIXED SPRING SIZES:**

XLD = Extra Light Duty

LD = Light Duty

RD = Regular Duty

HD = Heavy Duty

NOTE: See the Closer Operational and Size Selector Charts on page C6 to determine proper closer size for the application.

• **CUSHION BACKSTOP:** Provides cushion stop to protect both the closer and opening from damage under normal traffic conditions.

• **90°, 105° or 120° Swing**

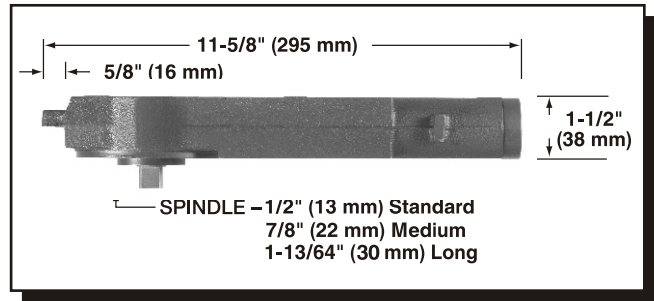
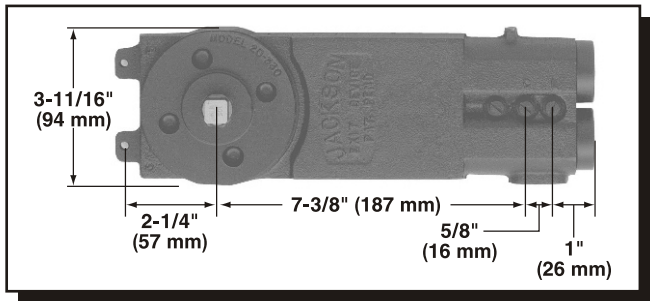
• **HOLD or NON-HOLD OPEN**

• **UL LISTED, MEETS UL228**



ANSI GRADE 1 CLOSER

DIMENSIONS - Inch (Metric)



CLOSER OPERATIONAL DATA

APPROXIMATE OPENING FORCE IN POUNDS								
	CENTER HUNG				OFFSET SLIDE-ARM			
	2/6 x 7/0	3/0 x 7/0	3/6 x 7/0	4/0 x 7/0	2/6 x 7/0	3/0 x 7/0	3/6 x 7/0	4/0 x 7/0
Extra Light Duty	6	4.5	4	N/A	8	6	5.5	5
Light Duty	10	8	6	5	14	12	10	8
Regular Duty	12	10	8	6	17	14.5	13	11
Heavy Duty	17	15	13	11	N/A	19	17	15

N/A = Application not recommended.
NOTE: Readings are in *pound force* required to open door and are taken at the lock stile to full degree of opening.

CLOSER SELECTION CHART		
CLOSER	Maximum Interior Door	Maximum Exterior Door
Extra Light Duty	3'-0" (914 mm)	2'-6" (762 mm)
Light Duty	3'-6" (1067 mm)	3'-0" (914 mm)
Regular Duty	3'-6" (1067 mm)	3'-0" (914 mm)
Heavy Duty	4'-0" (1219 mm)	3'-6" (1067 mm)

HYDRAULIC BACKCHECK ADJUSTMENT DATA
Closer leaves factory set at minimum intensity. To change backcheck intensity: – Clockwise to increase – Counter-clockwise to decrease Effective Range starting at 75 degrees

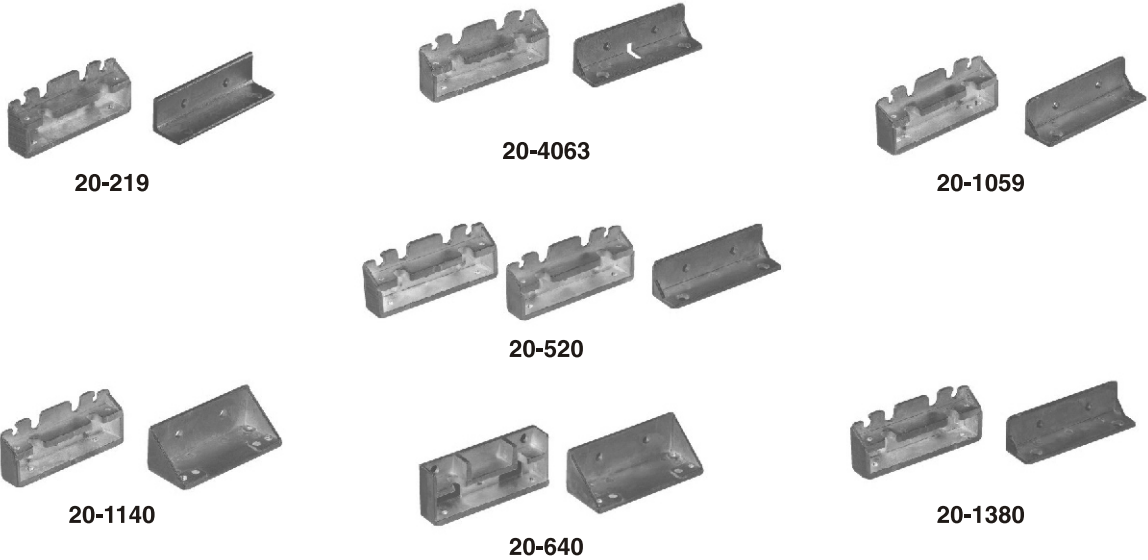
- NOTES:**
- All recommendations are based on average conditions. Tall doors or doors that may be subjected to wind, draft, or extreme air conditioning may require the next size closer.
 - Although the adjustable backcheck can be adjusted to give maximum protection, an auxiliary floor or overhead door stop is always recommended to prevent structural interference and possible door and closer damage due to over-extension of maximum allowable door swing



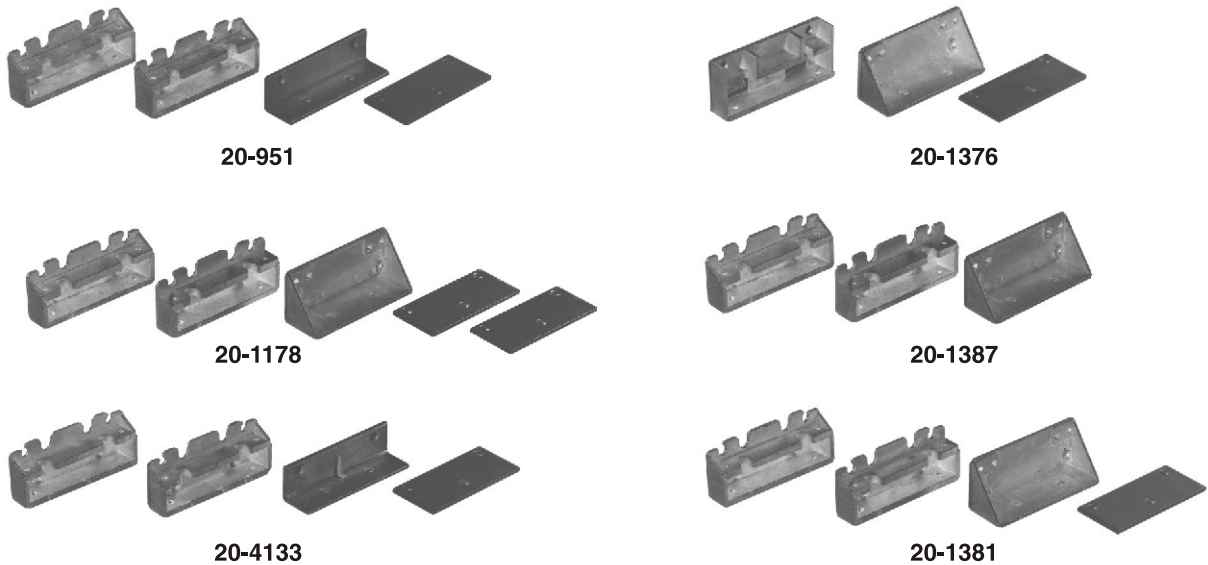
OVERHEAD CONCEALED CLOSERS

MOUNTING BRACKETS

CENTER-HUNG APPLICATIONS



OFFSET APPLICATIONS



COVER PLATES



20-1103 - 3-3/4" X 12-1/2" (95 X 317.5mm)
20-3152 - 3 Valve Access



20-190 - 3-11/16" X 13-3/4" (70.0 X 317.5mm)
20-1552 - 4-1/4" x 14" (108.0 x 355.6 mm)
20-3147 - 3 Valve Access



OVERHEAD CONCEALED CLOSERS

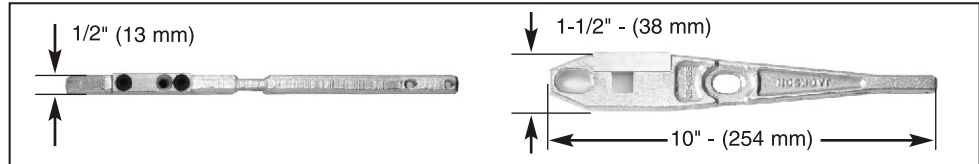
CENTER-HUNG ARMS

FOR ALUMINUM DOORS

No. 20-400B

Application: Side-Load
Application: 1/2" (13.0 mm) Deep Rail

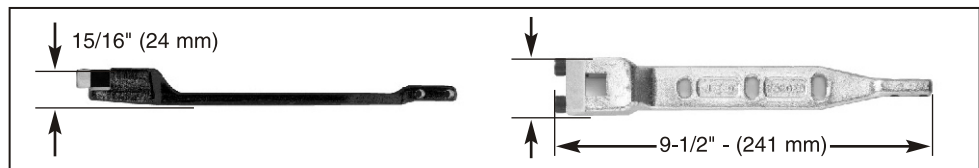
Contents: No. 20-876P Side-Load Arm
Contents: No. 20-879 Arm Mounting Pkg.



No. 20-2000

Application: End-Load
Application: 1" (25.4 mm) Deep Rail

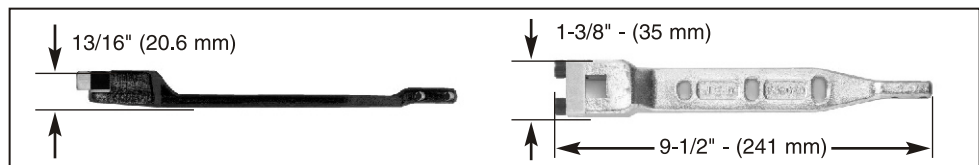
Contents: No. 20-1999 End-Load Arm
Contents: No. 20-1998 Arm Mounting Pkg.



No. 20-2010

Application: End-Load
Application: 7/8" (22.2 mm) Deep Rail

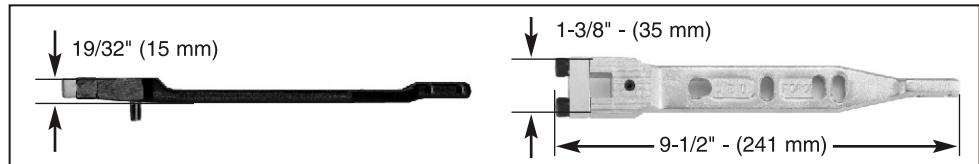
Contents: No. 20-2009 End-Load Arm
Contents: No. 20-2008 Arm Mounting Pkg.



No. 20-2085

Application: End-Load
Application: 5/8" (16.0 mm) Deep Rail

Contents: No. 20-2081 End-Load Arm
Contents: No. 20-2008 Arm Mounting Pkg.

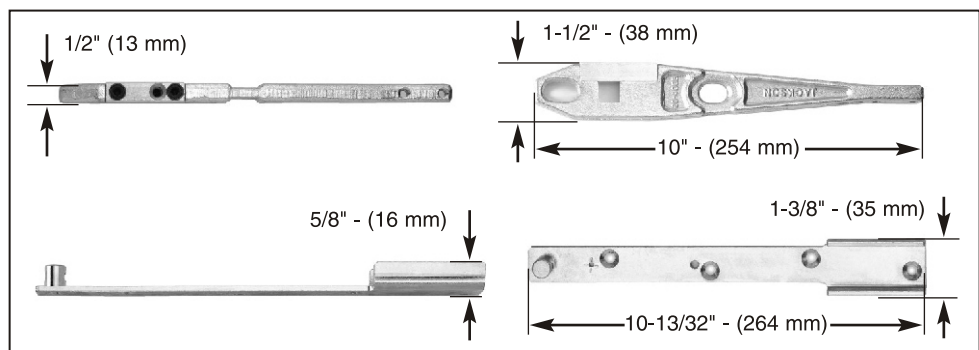


FOR WOOD DOORS

No. 20-510

Application: Side-Load
Application: 5/8" (16.0 mm) Deep
Application: Mortised Rail

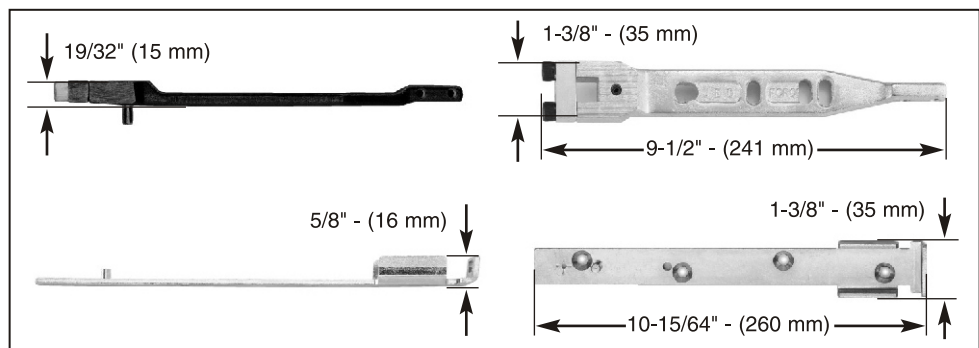
Contents: No. 20-876P Side-Load Arm
Contents: No. 20-240P Door Channel
Contents: No. 20-4061 Mounting Pkg.



No. 20-2090

Application: End-Load
Application: 3/4" (19.0 mm) Deep
Application: Mortised Rail

Contents: No. 20-4060P End-Load Arm
Contents: No. 20-245P Door Channel
Contents: No. 20-4062P Mounting Pkg.





OVERHEAD CONCEALED CLOSERS

OFFSET ARM & SLIDE CHANNEL ASSEMBLY

APPLICATION: For Aluminum Door & Frames
For Wood Door Mounting - Order Package No. 20-4131.

MATERIAL: Steel

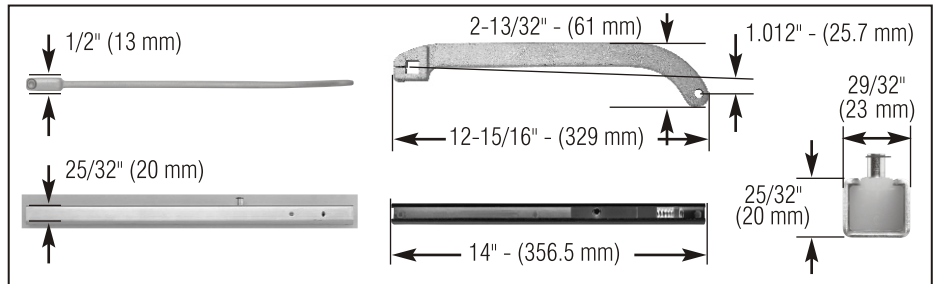
NOTE: Components for Mortise and Surface installations cannot be interchanged.

FINISH: Offset Arm Standard Painted Finishes:
• US28 / 628 = Clear Satin Aluminum
• DBZ 313 = Dark Bronze

No. 20-900-LC

Application: Mortise Type
7/8" (22 mm) Deep Rail

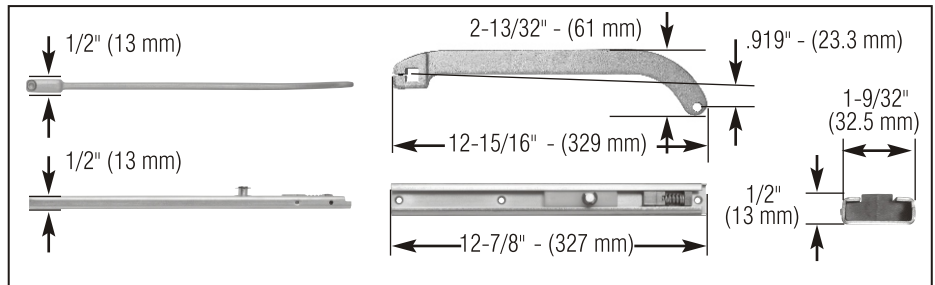
Contents: No. 20-942 Offset Arm
No. 20-368 Slide Channel Assembly
No. 20-951 Closer Mounting Brackets
No. 20-385 Channel Mounting Pkg.



No. 20-1134-LC

Application: Surface Mounted
5/8" (16 mm) Shallow Rail

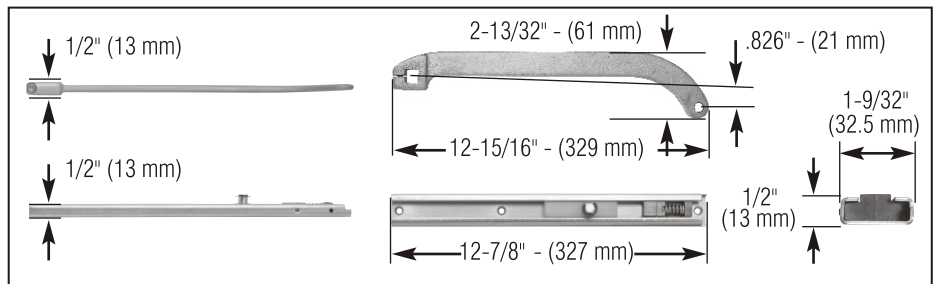
Contents: No. 20-1133 Offset Arm
No. 20-1129 Slide Channel Assembly
No. 20-1375 Closer Mounting Brackets
No. 20-1305 Channel Mounting Pkg.



No. 20-1312-LC

Application: Surface Mounted
5/8" (16 mm) Shallow Rail

Contents: No. 20-1149 Offset Arm
No. 20-1129 Slide Channel Assembly
No. 20-1178 Closer Mounting Brackets
No. 20-1305 Channel Mounting Pkg.



COVERS

APPLICATION: Right Hand = No. 20-117
Left Hand = No. 20-106

MATERIAL: Aluminum

DIMENSIONS: 2"W x 7/8"H x 42-1/4"L (51 x 22 x 1073 mm)

FINISH: Standard Anodized Finishes:
• US28 / 628 = Clear Satin Aluminum
• DBZ 313 = Dark Bronze





OVERHEAD CONCEALED CLOSERS

CENTER-HUNG FLOOR PIVOTS

- Designed for use with Aluminum or properly prepared Wood and Hollow Metal Doors.

- Full Ball Bearing Design

SIDE-LOAD APPLICATIONS

For Doors weighing up to 125 lbs. (56 kg)



No. 20-902 (Type G)

Height Adjustable

Application: For Floor Installation
Application: For 1-1/2" (38 mm) Deep Bottom Rail

Components: No. 20-741 Door Portion
: No. 20-742 Floor Portion



No. 20-944 (Type GE)

Height Adjustable

Application: For Threshold Installation
Application: For 1-1/2" (38 mm) Deep Bottom Rail

Components: No. 20-741 Door Portion
ts: No. 20-943 Threshold Portion



No. 20-1155 (Type BE)

Application: For Threshold Installation
Application: For 1" (25.4 mm) Deep Bottom Rail

Components: No. 20-1154 Door Portion
Components: No. 20-943 Threshold Portion

END-LOAD APPLICATIONS

For Doors weighing up to 175 lbs. (79 kg)



No. 20-1570 (Type GW)

Application: For Floor Installation
Application: For 1" (25.4 mm) Deep Bottom Rail

Components: No. 20-647 Door Portion
Components: No. 20-1062 Floor Portion



No. 20-1060 (Type P)

Application: For Floor Installation
Application: For 1-9/16" (39.7 mm) Deep Bottom Rail

Components: No. 20-1061 Door Portion
Components: No. 20-1062 Floor Portion



No. 20-728 (Type AE)

Application: For Threshold Installation
Application: For 1" (25.4 mm) Deep Bottom Rail

Components: No. 20-647 Door Portion
Components: No. 20-607 Threshold Portion



No. 20-1410 (Type EF)

Application: For Threshold Installation
Application: For 1-9/16" (39.7 mm) Deep Bottom Rail

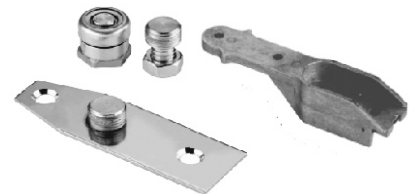
Components: No. 20-1061 Door Portion
Components: No. 20-607 Threshold Portion



No. 20-1680 (Type BV)

Application: For Combination Floor &
Application: Threshold Installation
Application: For 1" (25.4 mm) Deep Bottom Rail

Components: No. 20-647 Door Portion
Components: No. 20-1062 Floor Portion
Components: No. 20-650 Threshold Mounting Pkg.



No. 20-1685 (Type UP)

Application: For Combination Floor &
Application: Threshold Installation
Application: For 1-9/16" (39.7 mm) Deep Bottom Rail

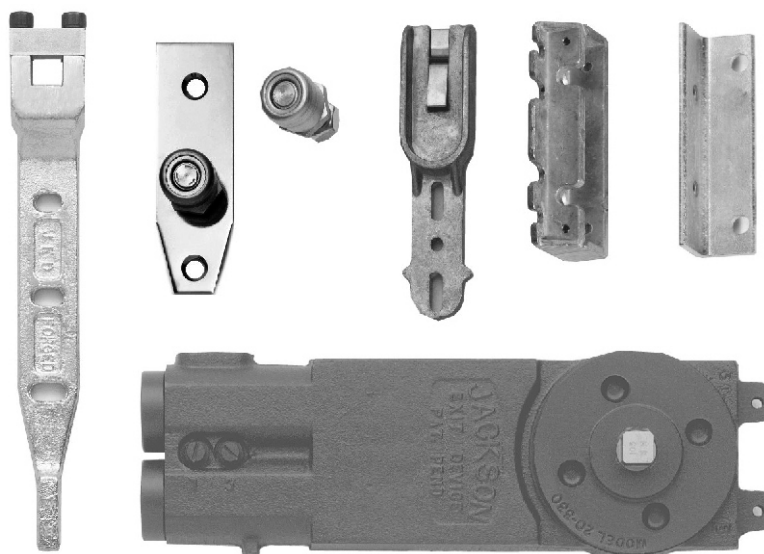
Components: No. 20-1061 Door Portion
Components: No. 20-1062 Threshold Portion
Components: No. 20-650 Threshold Mounting Pkg.



OVERHEAD CONCEALED CLOSERS

CENTER-HUNG CLOSER PACKAGES 21-100

1-3/4" Aluminum Doors with Aluminum Frames



END-LOAD PACKAGE CONTENTS

"A" PACKAGE

No. 20-330 Closer Mechanism
No. 20-640 Mounting Brackets
No. 20-2000 End-Load Arm Pkg
No. 20-728 "AE" Pivot Type

"AP" PACKAGE

No. 20-330 Closer Mechanism
No. 20-219 Mounting Brackets
No. 20-2000 End-Load Arm Pkg
No. 20-1060 "P" Pivot Type

"AE" PACKAGE

No. 20-330 Closer Mechanism
No. 20-219 Mounting Brackets
No. 20-2000 End-Load Arm Pkg
No. 20-728 "AE" Pivot Type

"EF" PACKAGE

No. 20-330 Closer Mechanism
No. 20-219 Mounting Brackets
No. 20-2010 End-Load Arm Pkg
No. 20-1410 "EF" Pivot Type

"GW" PACKAGE

No. 20-330 Closer Mechanism
No. 20-219 Mounting Brackets
No. 20-2000 End-Load Arm Pkg
No. 20-1570 "GW" Pivot Type

"P" PACKAGE

No. 20-330 Closer Mechanism
No. 20-1059 Mounting Brackets
No. 20-2010 End-Load Arm Pkg
No. 20-1060 "P" Pivot Type

"PA" PACKAGE

No. 20-330 Closer Mechanism
No. 20-219 Mounting Brackets
No. 20-2010 End-Load Arm Pkg
No. 20-728 "AE" Pivot Type

"PE" PACKAGE

No. 20-330 Closer Mechanism
No. 20-219 Mounting Brackets
No. 20-2010 End-Load Arm Pkg
No. 20-1060 "P" Pivot Type

"T" PACKAGE

No. 20-330 Closer Mechanism
No. 20-219 Mounting Brackets
No. 20-2010 End-Load Arm Pkg
No. 20-1698 Bottom Pivot Set

NOTE: 1. Due to the wide variety and styles of doors in use today, Jackson can not reference specific packages for use with a particular door. Package needed will depend on door and frame type, dimensions, floor type and application. Please verify type, dimensions and application prior to ordering a closer package.

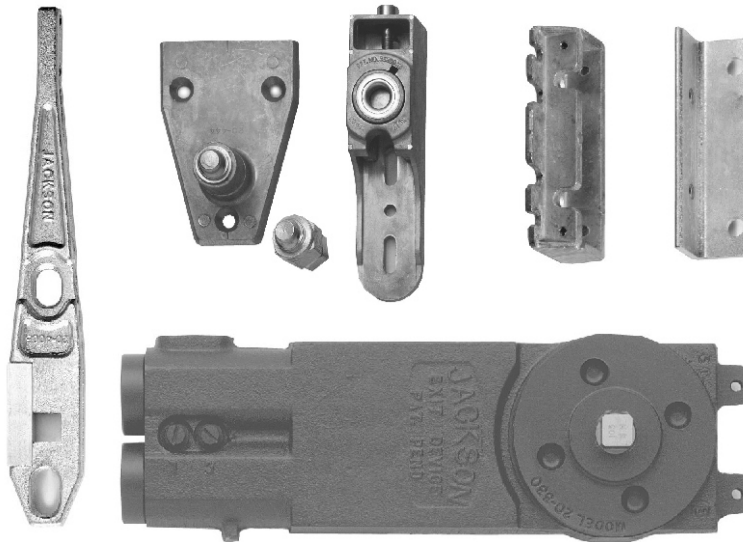
2. Packages listed above represent the most popular combinations currently used. Package contents can be customized to your specifications - Consult Factory.



OVERHEAD CONCEALED CLOSERS

CENTER-HUNG CLOSER PACKAGES 21-100

1-3/4" Aluminum Doors with Aluminum Frames



SIDE-LOAD PACKAGE CONTENTS

"BE" PACKAGE

No. 20-330 Closer Mechanism
 No. 20-219 Mounting Brackets
 No. 20-400B Side-Load Arm Pkg
 No. 20-1155 "BE" Pivot Type

"BF" PACKAGE

No. 20-330 Closer Mechanism
 No. 20-520 Mounting Brackets
 No. 20-400B Side-Load Arm Pkg
 No. 20-1155 "BE" Pivot Type

"GE" PACKAGE

No. 20-330 Closer Mechanism
 No. 20-219 Mounting Brackets
 No. 20-400B Side-Load Arm Pkg
 No. 20-944 "GE" Pivot Type

"PV" PACKAGE

No. 20-330 Closer Mechanism
 No. 20-520 Mounting Brackets
 No. 20-400B Side-Load Arm Pkg
 No. 20-944 "GE" Pivot Type

"S" PACKAGE

No. 20-330 Closer Mechanism
 No. 20-219 Mounting Brackets
 No. 20-400B Side-Load Arm Pkg
 No. 20-902 "G" Pivot Type

"U" PACKAGE

No. 20-330 Closer Mechanism
 No. 20-1380 Mounting Brackets
 No. 20-400B Side-Load Arm Pkg
 No. 20-944 "GE" Pivot Type

"V" PACKAGE

No. 20-330 Closer Mechanism
 No. 20-400B Side-Load Arm Pkg
 No. 20-1155 "BE" Pivot Type

NOTE: 1. Due to the wide variety and styles of doors in use today, Jackson can not reference specific packages for use with a particular door. Package needed will depend on door and frame type, dimensions, floor type and application. Please verify type, dimensions and application prior to ordering a closer package.

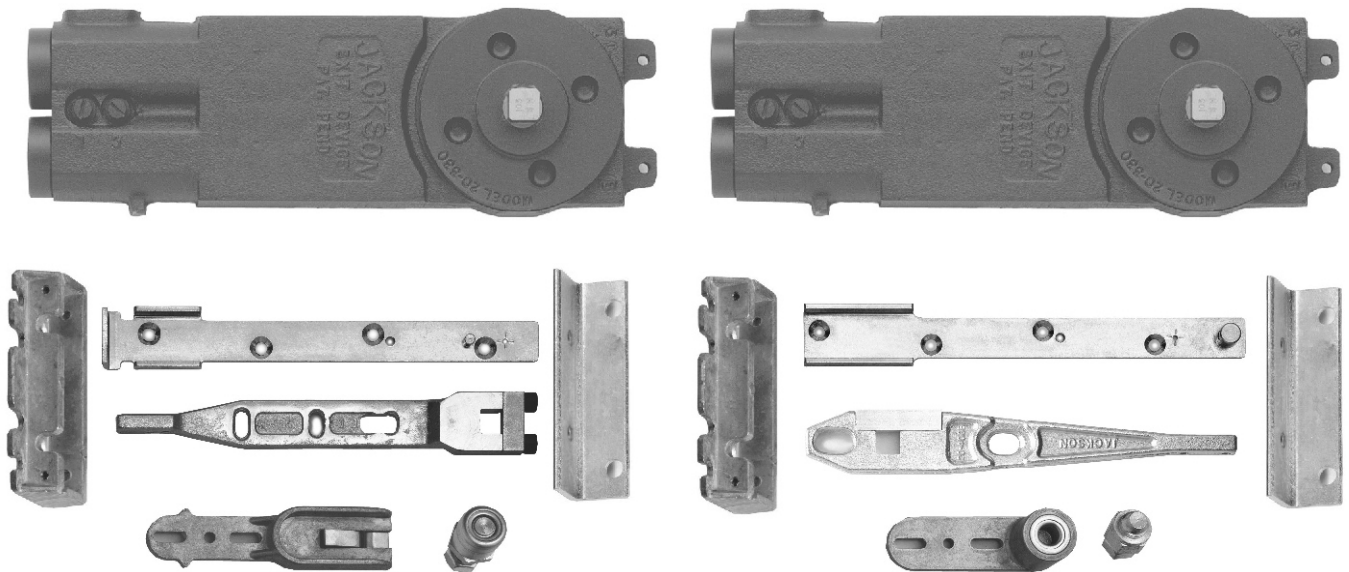
2. Packages listed above represent the most popular combinations currently used. Package contents can be customized to your specifications - Consult Factory.



OVERHEAD CONCEALED CLOSERS

CENTER-HUNG CLOSER PACKAGES 21-100

Wood Doors with Aluminum Frames



PACKAGE CONTENTS

“WDE” END-LOAD PACKAGE

- No. 20-330 Closer Mechanism
- No. 20-219 Mounting Brackets
- No. 20-2090 End-Load Arm Pkg
- No. 20-728 “AE” Pivot Type

“WDS” SIDE-LOAD PACKAGE

- No. 20-330 Closer Mechanism
- No. 20-219 Mounting Brackets
- No. 20-510 Side-Load Arm Pkg
- No. 20-1155 “BE” Pivot

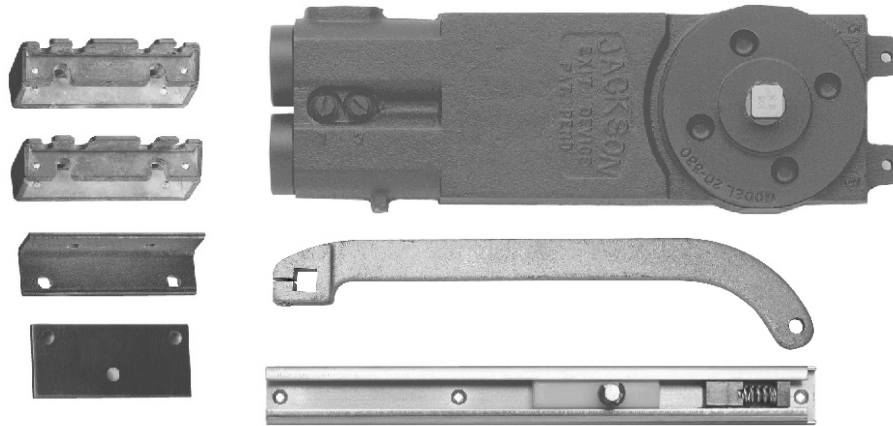
NOTE: 1. Due to the wide variety and styles of doors in use today, Jackson can not reference specific packages for use with a particular door. Package needed will depend on door and frame type, dimensions, floor type and application. Please verify type, dimensions and application prior to ordering a closer package.

2. Packages listed above represent the most popular combinations currently used. Package contents can be customized to your specifications - Consult Factory.



OVERHEAD CONCEALED CLOSERS

OFFSET SLIDE-ARM CLOSER PACKAGES 21-200 1-3/4" Aluminum Doors with Aluminum Frames



OFFSET PIVOT or BUTT HUNG PACKAGE CONTENTS

“A” PACKAGE

No. 20-330 Closer Mechanism
No. 20-1376 Mounting Brackets
No. 20-1149 Offset Arm Pkg
No. 20-1129 Slide Channel

“U” PACKAGE

No. 20-330 Closer Mechanism
No. 20-1381 (90°) Mounting Brackets
No. 20-1387 (105°) Mounting Brackets
No. 20-942 Offset Arm Pkg
No. 20-368 Slide Channel

“S” PACKAGE

No. 20-330 Closer Mechanism
No. 20-951 Mounting Brackets
No. 20-942 Offset Arm Pkg
No. 20-368 Slide Channel

“P” PACKAGE

No. 20-330 Closer Mechanism
No. 20-1178 Mounting Brackets
No. 20-1133 Offset Arm Pkg
No. 20-1129 Slide Channel

“A4” PACKAGE

No. 20-330 Closer Mechanism
No. 20-951 Mounting Brackets
No. 20-1149 Offset Arm Pkg
No. 20-1129 Slide Channel

“W” PACKAGE

No. 20-330 Closer Mechanism
No. 20-1376 Mounting Brackets
No. 20-1149 Offset Arm Pkg
No. 20-1129 Slide Channel

NOTE: 1. Offset Packages do not include Butts, Pivots or Arm Covers.

* Please see Pivot Section “D” for Offset Pivot selection.

* NOTE: The proximity of the Door Closer to the Jamb normally precludes a top pivot.

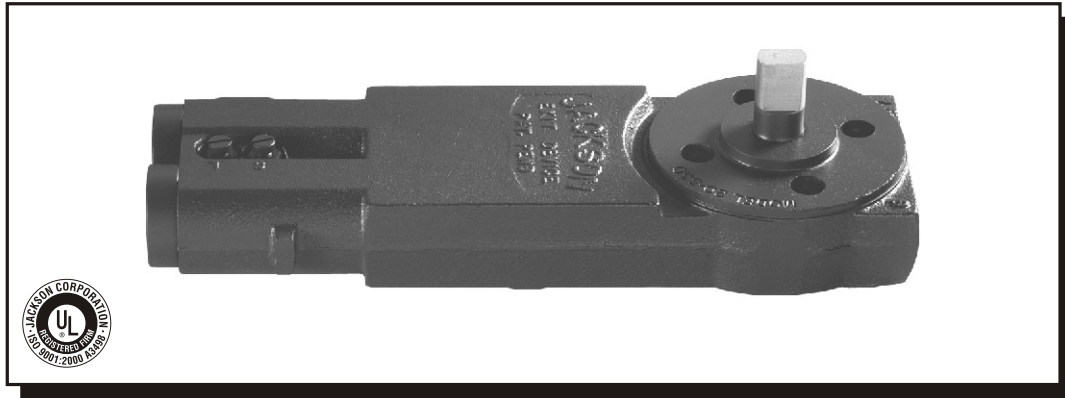
* Please see Page C9 for Arm Covers.

NOTE: 2. Due to the wide variety and styles of doors in use today, Jackson can not reference specific packages for use with a particular door. Package needed will depend on door and frame type, dimensions, floor type and application. Please verify type, dimensions and application prior to ordering a closer package.

NOTE: 3. Packages listed above represent the most popular combinations currently used. Package contents can be customized to your specifications - Consult Factory.



300 SERIES FLOOR CLOSER



The Jackson 300 Series Floor Closer is manufactured in the U.S.A. under strict ISO 9000 guidelines and is designed to give long lasting, maintenance free performance. Its compact design and low profile makes it ideal for thin-slab applications where floor depth is limited. The universal design allows one basic, non-handed closer mechanism to be used for either single or double acting center-hung applications. Suitable for both interior and exterior installations, it provides complete door control in a compact and concealed design when other types of closers are not practical. Available in 4 spring sizes, this closer is designed for use with aluminum, wood or hollow metal doors.

TECHNICAL INFORMATION

DIMENSIONS: The Jackson 300 Floor Closer is installed by using our low profile 2" (51 mm) deep cement case.

CLOSER:

LENGTH: 11" (279 mm)

HEIGHT: 1-1/2" (338 mm)

WIDTH: 3-11/16" (394 mm)

CEMENT CASE:

LENGTH: 12" (305 mm)

HEIGHT: 2" (351 mm)

WIDTH: 5-5/8" (143 mm)

WEIGHT: Mechanism Only 8 Lbs. (3.6 Kg)

WEIGHT: Center-Hung Package 14 Lbs. (6.4 Kg)

NOTE: Weights will vary depending on Package type.

CAPACITY: Doors up to 48" (1219 mm) wide.
Weight up to 260 lbs. (118 kg.)

ACTION: Non-Handed Design

ACTION: Single or Double Acting

WARRANTY: Guaranteed to be free from defects in materials and workmanship for 5 years from date of shipment.

OPTIONS:

- **ACCESSORIES** - Complete selection of Arms, Pivots, Cover Plates and other optional accessories.

FEATURES:

- **DUAL VALVE CONTROL** - Both closing and latching speeds are independently adjustable.
- **FOUR FIXED SPRING SIZES:**
XLD = Extra Light Duty
LD = Light Duty
RD = Regular Duty
HD = Heavy Duty

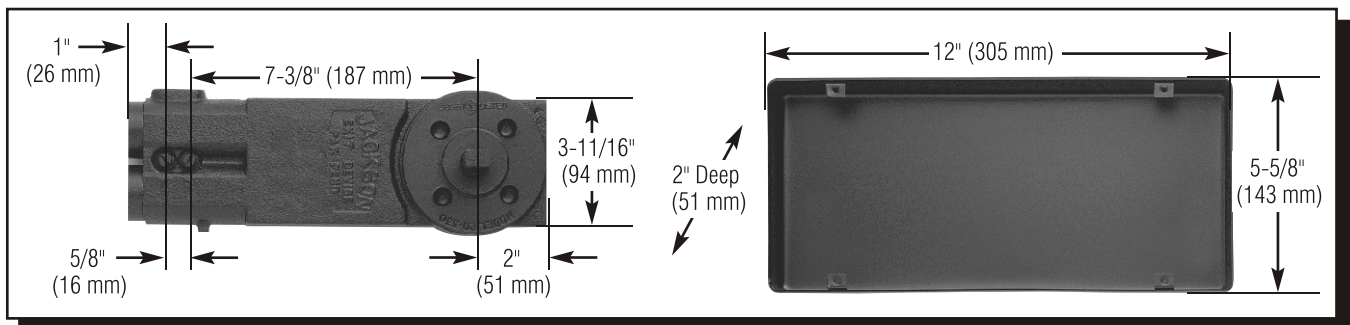
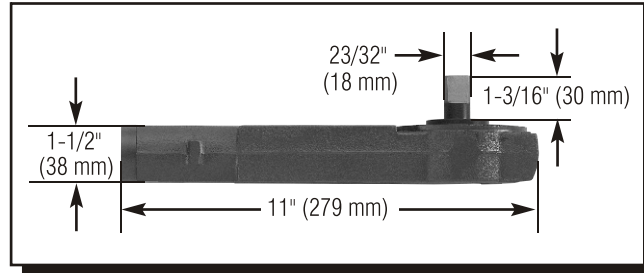
NOTE: See the Closer Operational and Size Selector Charts on page C16 to determine proper closer size for the application.

- **ADJUSTABLE POSITION WITHIN THE CEMENT CASE**
- **90° or 105° Swing**
- **HOLD or NON-HOLD OPEN**
- **BACKCHECK** - Cushion back-stop provides cushion stop to protect both the closer and opening from damage under normal traffic conditions.



300 SERIES FLOOR CLOSER

DIMENSIONS - Inch (Metric)



CLOSER OPERATIONAL DATA

APPROXIMATE OPENING FORCE IN POUNDS

	2/6 x 7/0	3/0 x 7/0	3/6 x 7/0	4/0 x 7/0
Extra Light Duty	6	4.5	4	N/A
Light Duty	10	8	6	5
Regular Duty	12	10	8	6
Heavy Duty	17	15	13	11

NOTE: Readings are *pound force* to open door and are taken at the lock stile to full degree of opening.

CLOSER SELECTION CHART

CLOSER	Max. Interior Door	Max. Exterior Door
Extra Light Duty	3'-0" (914 mm)	2'-6" (762 mm)
Light Duty	3'-6" (1067 mm)	3'-0" (914 mm)
Regular Duty	3'-6" (1067 mm)	3'-0" (914 mm)
Heavy Duty	4'-0" (1219 mm)	3'-6" (1067 mm)

- NOTES:**
- All recommendations are based on average conditions. Tall doors or doors that may be subjected to wind, draft, or extreme air conditioning may require the next size closer.
 - An auxiliary floor or overhead door stop is always recommended to prevent structural interference and possible door and closer damage due to over-extension of maximum allowable door swing.



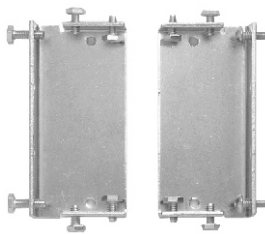
300 SERIES FLOOR CLOSER CENTER-HUNG PACKAGES 21-307



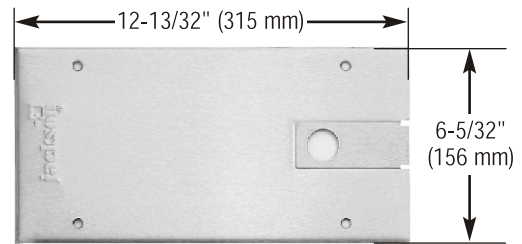
No. 20-340 Floor Closer Mechanism



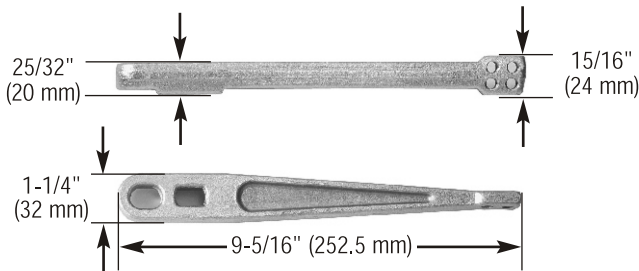
No. 20-2102 Cement Case



No. 20-2120 Adjustable Mounting Brackets
Allows adjustment of installed Closer.
Vertical = 3/16" (5 mm)
Lateral = 1/4" (6 mm)
Front to back = 3/8" (9.5 mm)



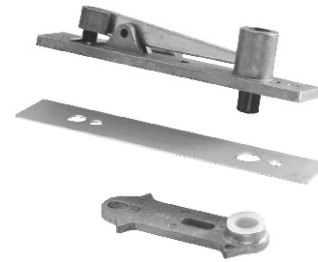
No. 20-2115 Cover Plate
Specify Finish (Extra Cost Option)
Two piece design features separate spindle cover allowing removal of main plate for closer adjustment with door installed.



No. 20-800 Center-Hung Arm Assembly

Application: 1" (25.4 mm) Deep Rail

Contents: No. 20-2103P Center-Hung Arm
No. 20-185P Arm Mounting Pkg.



No. 20-534

Top Center-Hung "Walking Beam" Pivot Assembly

Contents: No. 20-213 Top Pivot
No. 20-653 Top Door Arm w/nylon bushing
No. 16-171 Cover Plate - Specify Finish

PACKAGE CONTENTS

"S" ALUMINUM DOORS & FRAMES

- No. 20-307 Floor Closer Mechanism
- No. 20-2120 Mounting Brackets
- No. 20-800 Center-Hung Arm Pkg
- No. 20-534 Top Pivot Assembly
- No. 20-2102 Cement Case

"GL" TEMPERED GLASS DOORS

- No. 20-307 Closer Mechanism
- No. 20-2120 Mounting Brackets
- No. 20-2102 Cement Case

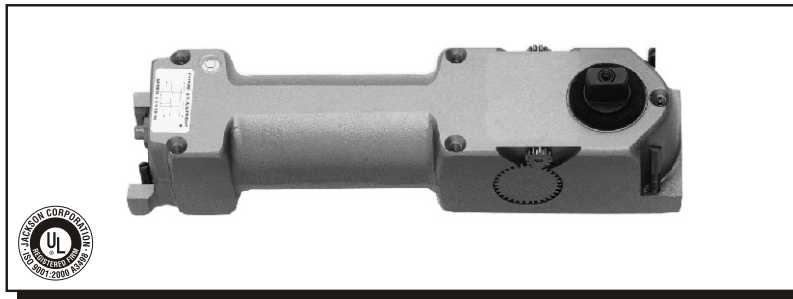
NOTE: 1. Packages do not include optional Cover Plate No. 20-2115 and must be purchased separately.

NOTE: 2. Due to the wide variety and styles of doors in use today, Jackson can not reference specific packages for use with a particular door. Package needed will depend on door and frame type dimensions, floor type and application. Please verify type, dimensions and application prior to ordering a closer package.

NOTE: 3. Packages listed represent the most popular combinations currently used. Package contents can be customized to your specifications - Consult Factory.



900 SERIES FLOOR CLOSER



The Jackson 900 Series Floor Closer with adjustable spring power meets ANSI/BHMA Grade 1 Closer requirements and is manufactured under strict ISO 9001 guidelines to give long lasting, maintenance free performance. The universal, non-handed design uses a system of interchangeable spindles and will allow one basic closer mechanism to be used for either single or double acting, center-hung or offset applications while accommodating virtually any floor covering or threshold height. This heavy duty closer is designed for use with aluminum, wood or metal doors weighing up to 1,000 pounds and is appropriate for both new and retrofit, interior and exterior installations. The versatile 900 floor closer provides complete, dependable door control in a compact and concealed design.

TECHNICAL INFORMATION

DIMENSIONS: The Jackson 900 Floor Closer is installed by using our compact, low profile 2-3/8" (60 mm) deep cement case.

CASE:

LENGTH: 12-1/8" (308 mm)

HEIGHT: 2-3/8" (360 mm)

WIDTH: 3-1/16" (378 mm)

WEIGHT: Closer with Cement Case: 15 lbs (6.5 kg)

NOTE: Complete Package weights will vary depending on Package type.

ACTION: Non-Handed Design

ACTION: Single or Double Acting

APPLICATION: Center-Hung and 3/4" or 1-1/2" Offset with appropriate optional accessories

FEATURES:

- **CAPACITY:** - Center Hung: 1000 Lbs (450 Kg)
54" (1400 mm) Max. Width Door
3/4" Offset: 650 Lbs (295 Kg)
48" (1219 mm) Max. Width Door
1-1/2" Offset: 300 Lbs (136 Kg)
42" (1066 mm) Max. Width Door
- **ADJUSTABLE SPRING POWER**
1 - 6
- **ADJUSTABLE SWEEP SPEED**
- **TAPERED ROLLER BEARING SUPPORT**
Provides greater load carrying capacity and returns 80% closing efficiency.
- **INTERCHANGEABLE SPINDLE SYSTEM**
Seven interchangeable spindle heights available for 5/16" (8 mm) thru 1-1/2" (38 mm) door-to-floor clearance.

• **BUBBLE LEVEL**

Built-in bubble level aids in leveling of closer installation

• **ADJUSTABLE CLOSER POSITION WITHIN CEMENT CASE**

Closer can be adjusted laterally and vertically within cement case with door installed.

• **DOOR CENTERING ADJUSTMENT**

6 Adjustment range to simplify door alignment.

• **180° SWING OPENING**

Non-handed, double acting closer can be rotated 90° in either direction and installed perpendicular to the door.

NOTE: An auxiliary floor or overhead door stop is recommended to prevent structural interference and possible door damage due to over-extension of maximum allowable door swing.

• **HOLD or NON-HOLD OPEN**

Hold Open at both 90° & 120° or 105° only

• **TEMPERATURE STABILIZED FLUID**

Thermal sensitive fluid and valves allow for automatic seasonal adaptability.

• **UL LISTED, MEETS UL228**

• **CERTIFIED TO ANSI-156.4 GRADE 1 STANDARD**

• **WARRANTY:** Guaranteed to be free from defects in materials and workmanship for 10 years from date of shipment.

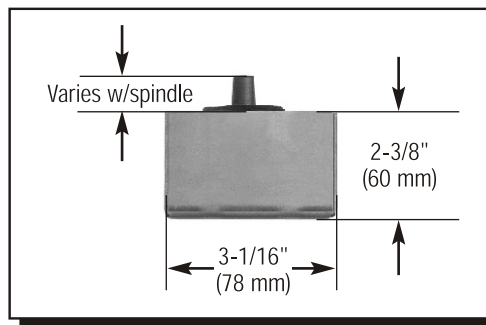
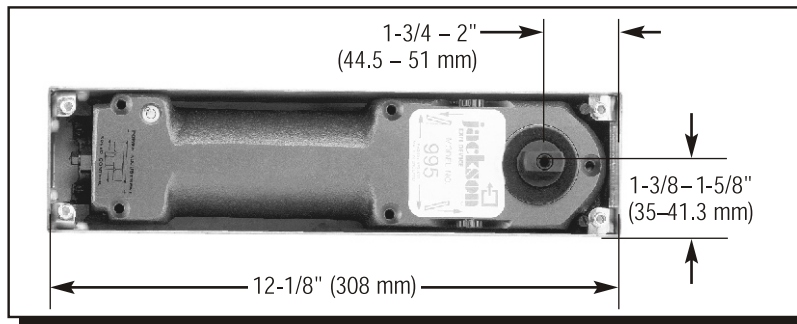
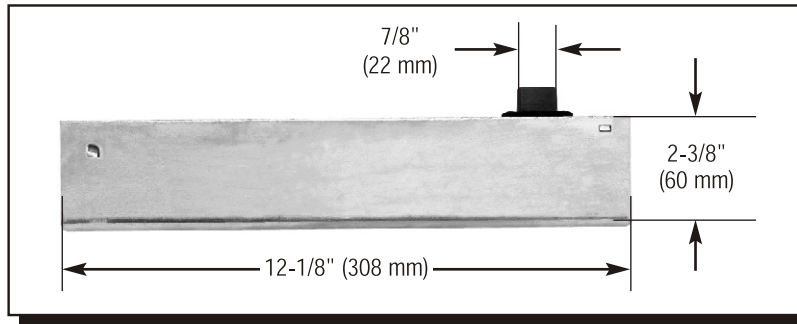
• **OPTIONS:**

ACCESSORIES: See pages C22, 23, 24 for a complete selection of Spindles, Arms, Pivots, Cover Plates and Optional Accessories.



900 SERIES FLOOR CLOSER

DIMENSION - Inch (Metric)



OPTIONAL FUNCTION: 990 = Standard Model
993 = Hold Open at both 90° and 120°

ADJUSTABLE SPRING POWER:
Size 1 - 6



BF1000 SERIES FLOOR CLOSER



The Jackson 1000 Series Floor Closer is a adjustable spring power closer manufactured under strict ISO 9000 guidelines to give long lasting, maintenance free performance. The universal, non-handed design uses a system of interchangeable spindles and will allow one basic closer accommodating virtually any floor covering or threshold height. This heavy duty closer is designed for use with aluminum, wood or metal doors weighing up to 1,000 pounds and is appropriate for both new and retrofit, interior and exterior installations. The versatile 1000 floor closer provides complete and dependable door control.

TECHNICAL INFORMATION

DIMENSIONS: The Jackson 1000 Floor Closer is installed by using our compact, low profile 2-3/8" (60mm) deep cement case.

CASE:

LENGTH: 16-1/2" (419mm)

HEIGHT: 2-3/8" (60mm)

WIDTH: 4-1/16" (103mm)

WEIGHT: Closer with Cement Case: 15 lbs. (6.5kg)

NOTE: Complete Package weights will vary depending on Package type.

ACTION: Non-Handed Design

ACTION: Single or Double Acting

APPLICATION: Center-Hung and 3/4" or 1-1/2" Offset with appropriate optional accessories

FEATURES:

- **CAPACITY:** - Center Hung: 1000 Lbs (450 Kg)
54" (1400 mm) Max. Width Door
- 3/4" Offset: 650 Lbs (295 Kg)
48" (1219 mm) Max. Width Door
- 1-1/2" Offset: 300 Lbs (136 Kg)
42" (1066 mm) Max. Width Door

• **ADJUSTABLE HYDRAULIC BACKCHECK**

• **ADJUSTABLE SPRING POWER**

1 - 6

• **ADJUSTABLE SWEEP AND LATCH SPEED**

• **TAPERED ROLLER BEARING SUPPORT**

Provides greater load carrying capacity and returns 80% closing efficiency.

• **INTERCHANGEABLE SPINDLE SYSTEM**

Seven interchangeable spindle heights available for 5/16" (8 mm) thru 1-1/2" (38 mm) door-to-floor clearance.

• **BUBBLE LEVEL**

Built-in bubble level aids in leveling of closer installation

• **ADJUSTABLE CLOSER POSITION WITHIN CEMENT CASE**

Closer can be adjusted laterally and vertically within cement case with door installed.

• **DOOR CENTERING ADJUSTMENT**

6° Adjustment range to simplify door alignment.

• **180° SWING OPENING**

Non-handed, double acting closer can be rotated 90° in either direction and installed perpendicular to the door.

NOTE: An auxiliary floor or overhead door stop is recommended to prevent structural interference and possible door damage due to over-extension of maximum allowable door swing.

• **HOLD or NON-HOLD OPEN**

Hold Open at both 90° & 120° or 105° only

• **TEMPERATURE STABILIZED FLUID**

Thermal sensitive fluid and valves allow for automatic seasonal adaptability.

• **UL LISTED, MEETS UL228**

• **MEETS ANSI-156.4 GRADE 1 STANDARD REQUIREMENTS**

• **WARRANTY:** Guaranteed to be free from defects in materials and workmanship for 10 years from date of shipment.

• **OPTIONS:**

BACKCHECK: Standard Backcheck is effective at approximately 85°

ACCESSORIES: See pages C23 – C24 for a complete selection of Spindles, Arms, Pivots, Cover Plates and Optional Accessories.

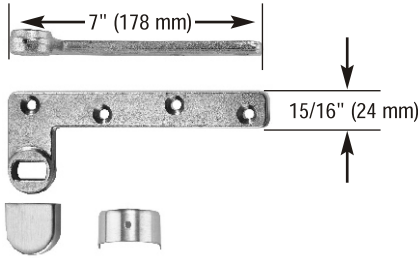


BF1000 SERIES FLOOR CLOSER

ACCESSORIES

OFFSET ARMS AND PIVOTS

ALUMINUM AND WOOD DOORS



- 3/4" OFFSET ARM** No. 20-7090
- 3/4" OFFSET TOP PIVOT** No. 20-7065
- 1-1/2" OFFSET ARM** No. 20-7070
- 1-1/2" OFFSET TOP PIVOT** No. 20-7075

NON-HANDED – FULL MORTISE

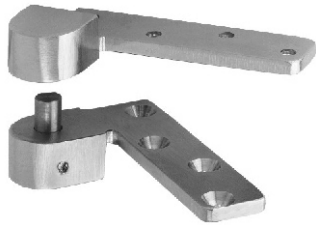
APPLICATION: Aluminum, Wood Doors and Frames.

CAPACITY: For doors up to 42" (1066 mm) wide
Weighing up to 200 Lbs. (90 Kg)

MATERIAL: Cast Steel

FINISHES: – Plated: DBZ 313
US3 / 605
US15 / 646

HEAVY-DUTY ALUMINUM AND METAL DOORS



- 3/4" OFFSET TOP PIVOT** No. J-110 (R or L)

HANDED – FULL MORTISE

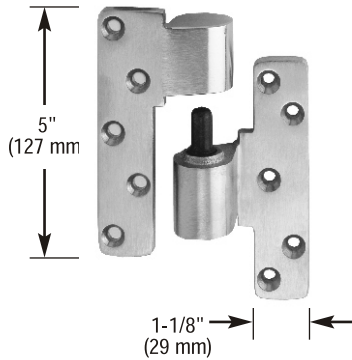
FLUSH and 1/8" (3 mm) Recessed Doors

APPLICATION: Aluminum, Metal Doors and Frames.

CAPACITY: For doors up to 48" (1219 mm) wide
Weighing up to 650 Lbs. (295 Kg)

MATERIAL: Brass, Bronze or Stainless Steel

FINISHES: US3 / 605
US10B / 613
US32 / 629
US32D / 630



- 3/4" OFFSET INTERMEDIATE PIVOT**
No. J-190HD (R or L)

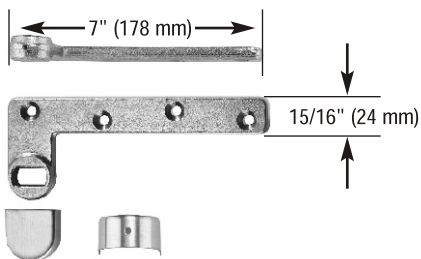
HANDED – FULL MORTISE

APPLICATION: Aluminum, Metal Doors and Frames.

CAPACITY: For doors up to 48" (1219 mm) wide
Weighing up to 650 Lbs. (295 Kg)

MATERIAL: Brass, Bronze or Stainless Steel

FINISHES: US3 / 605
US10B / 613
US32 / 629
US32D / 630



- 3/4" OFFSET ARM** No. 20-7090

NON-HANDED – FULL MORTISE

APPLICATION: Aluminum, Metal Doors and Frames.

CAPACITY: For doors up to 48" (1219 mm) wide
Weighing up to 650 Lbs. (295 Kg)

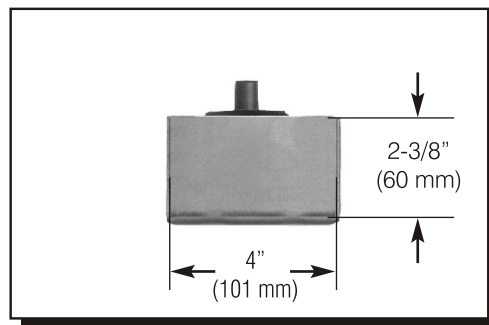
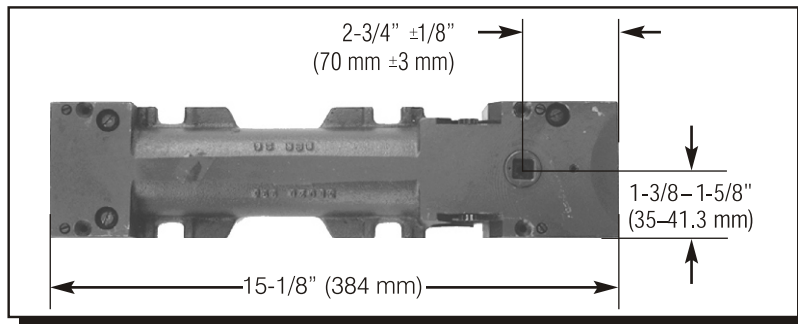
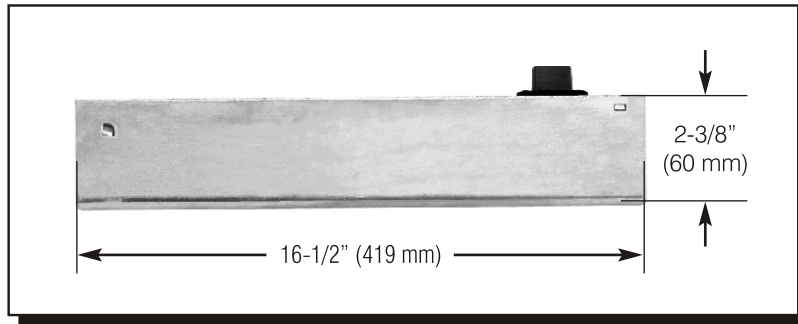
MATERIAL: Forged Steel with Finished Cover

FINISHES: US3 / 605
US10B / 613
US32 / 629
US32D / 630



BF1000 SERIES FLOOR CLOSER

DIMENSION - Inch (Metric)



OPTIONAL FUNCTION: 1000 = Standard Model
1003 = Hold Open at both 90° and 120°
1004 = Hold Open at 105° only

ADJUSTABLE HYDRALIC BACKCHECK:
Size 1-6



900 / BF1000 SERIES FLOOR CLOSERS

ACCESSORIES

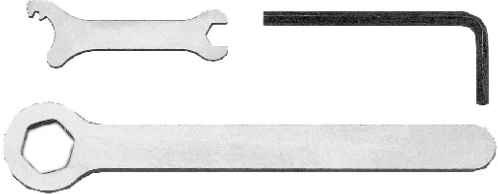
CEMENT CASE

900 Series No. 20-9010
 1000 Series No. 20-1762

MATERIAL: Steel - Zinc Plated

TOOL KIT - No. 20-7015

Kit contains the adjustment wrenches and hex key needed to install and adjust Closer and Spindle.



INTERCHANGEABLE EXTENDED SPINDLE

Floor-to-Door Clearance:

- No. 20-7050-00** - 5/16" (8 mm)
- No. 20-7050-05** - 1/2" (13 mm)
- No. 20-7050-10** - 3/4" (18 mm)
- No. 20-7050-15** - 7/8" (23 mm)
- No. 20-7050-20** - 1-1/8" (28 mm)
- No. 20-7050-25** - 1-5/16" (33 mm)
- No. 20-7050-30** - 1-1/2" (38 mm)

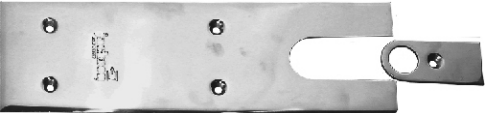


MATERIAL: Hardened Steel
 FINISH: Corrosion resistant Black Oxide

COVER PLATE

900 Series No. 20-7020
 13-5/16" (338 mm) x 4-3/16" (106 mm)

1000 Series No. 20-7545-XXX
 17" (432 mm) x 4-3/4" (121 mm)



Universal Center-Hung and Offset application Cover Plate attaches directly to the closer body. Two piece design to allow removal of the main plate for closer adjustment with door installed.

MATERIAL: Brass or Stainless Steel
 FINISHES: DBZ 313 - Dark Bronze
 US3/605 - Bright Brass
 US32/629 - Bright Stainless Steel
 US32D/63 - Satin Stainless Steel



900 / BF1000 SERIES FLOOR CLOSERS

ACCESSORIES

BRACKETS – No. 20-R3040

Allows Retrofit of Rixson 30 and 40 Type Closers.

By attaching the retrofit brackets to the Jackson 900 closer body, the closer can be installed into existing cement case. The brackets allow full lateral and vertical closer adjustment allowing proper positioning of closer body.

SPINDLES

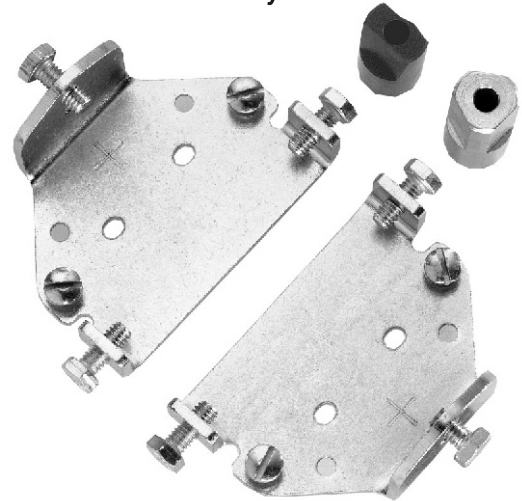
No. 20-R3028 - Center-Hung Applications

Tapered Spindle will allow use of existing Rixson Center-Hung Arm and hardware when retrofitting Model 28 or 30 closers.

No. 20-R3027 - Offset Application

Triangular Spindle will allow use of existing Rixson Offset Arm and hardware when retrofitting Model 27 closer.

900 Series Only.



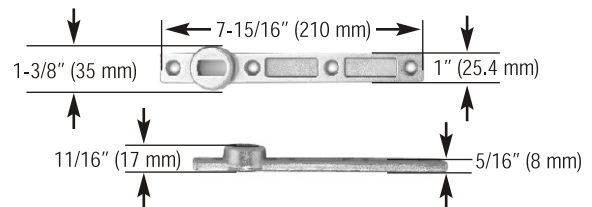
CENTER-HUNG APPLICATIONS

CENTER-HUNG ARM

20-7080

APPLICATION: Aluminum, Wood, Metal Doors

MATERIAL: Steel - Zinc Plated



CENTER-HUNG TOP PIVOT ASSEMBLY

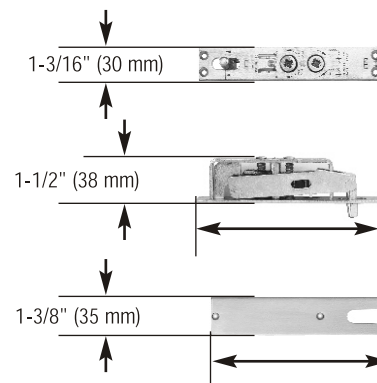
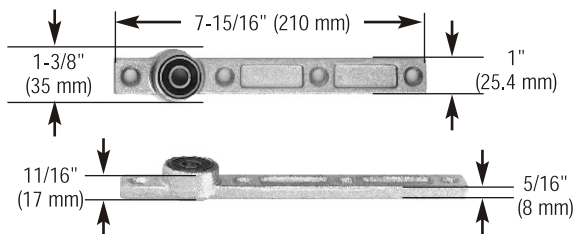
No. 20-580

No. 20-580WD (Wood Doors)

Heavy-duty design features both vertical and lateral adjustments.

APPLICATION: For Aluminum, Wood, or Hollow Metal Doors and Frames, and Herculite-Type Glass Doors.

FINISHES - COVER PLATE: DBZ 313
US3 / 605
US32 / 629
US32D / 630





PIVOTS

TOP CENTER-HUNG

- Walking beam type pivot assembly
- Completely concealed

- Adjustable to obtain top door clearances of 1/8"-3/4"
- Complete sets include pivot, door arm & finished cover plate

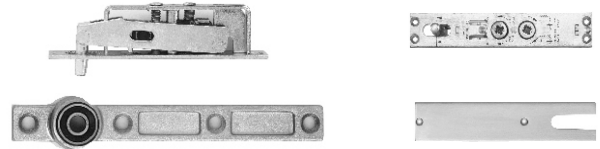


No. 20-534

APPLICATION: Aluminum, Wood or Metal Doors and Frames

CAPACITY: Maximum Width = 48" (1219 mm)
Maximum Weight = 260 Lbs (118 Kg)

FINISH - Cover Plate: DBZ 313
US28 / 628



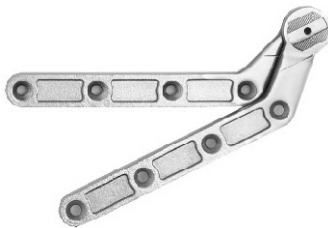
No. 20-580

APPLICATION: Aluminum, Wood or Metal Doors and Frames

CAPACITY: Maximum Width = 54" (1372 mm)
Maximum Weight = 1000 Lbs (450 Kg)

FEATURES: Lateral door adjustment of 1/2" (12 mm)
FINISH - Cover Plate: DBZ 313
US3 / 605
US32 / 629
US32D / 630

TOP OFFSET

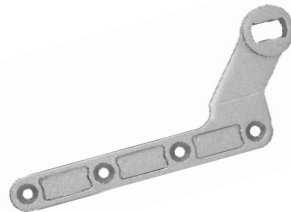


No. 20-7065 – 3/4"

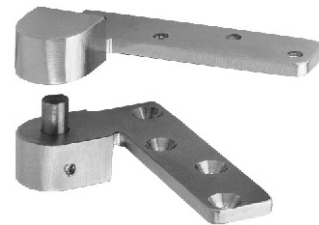
APPLICATION: Aluminum, Wood Doors and Frames

CAPACITY: Maximum Width = 48" (1219 mm)
Maximum Weight = 260 Lbs (118 Kg)

MATERIAL: Cast Steel
FINISH: DBZ 313
US3 / 605
US15 / 646



No. 20-7075 – 1-1/2"



No. J-110 – 3/4"

APPLICATION: Aluminum, Wood or Metal Doors and Frames

CAPACITY: Maximum Width = 54" (1372 mm)
Maximum Weight = 1000 Lbs (450 Kg)

FEATURES: Full Mortise - Handed
Available for Flush and 1/8" (3 mm) recessed doors.
FINISH - Cover Plate: US3 / 605
US10B / 613
US32 / 629
US32D / 630

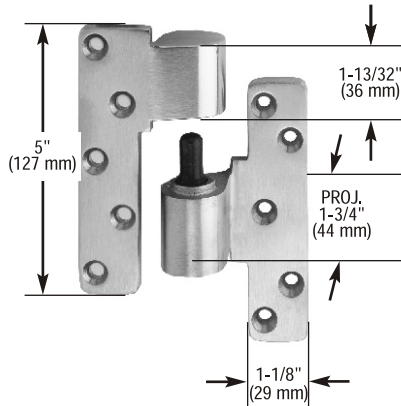


PIVOTS

3/4" OFFSET - INTERMEDIATE

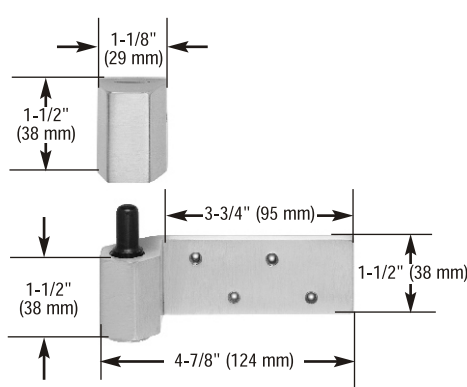
- Matching contemporary design
- 5/8" (16 mm) vertical adjustment

- Full race ball-bearing and oilite bronze bushing
- Fully retractable pin for easy installation



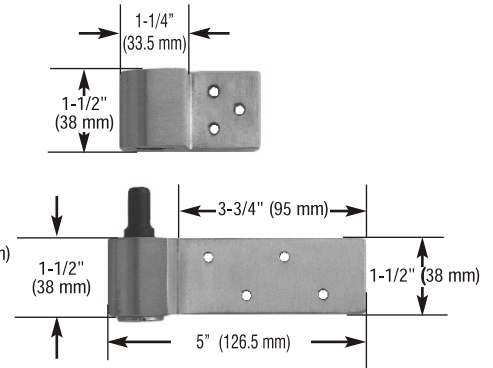
No. J-190

APPLICATION: Aluminum or Metal Doors and Frames
 CAPACITY:
 190 Aluminum - Max. Wt. = 0,150 Lbs (468 Kg)
 190HD Brass/Bronze - Max. Wt. = 1,000 Lbs (454 Kg)
 FEATURES: Full Mortise - Handed
 MATERIAL: 190HD = Aluminum
 190HD = Brass or Bronze or Stainless Steel
 FINISH: 190 = DBZ 313 190HD = US3 / 605
 US28 / 628 US10B / 613
 US32 / 629
 US32D / 630



No. J-14

APPLICATION: Aluminum Doors and Frames
 CAPACITY: Maximum Weight = 125 Lbs (57 Kg)
 FEATURES: Reversible - Non-Handed
 Jamb Slot-in
 MATERIAL: Extruded Aluminum
 FINISH: DBZ 313
 US28 / 628
 Short leg available



No. J-69

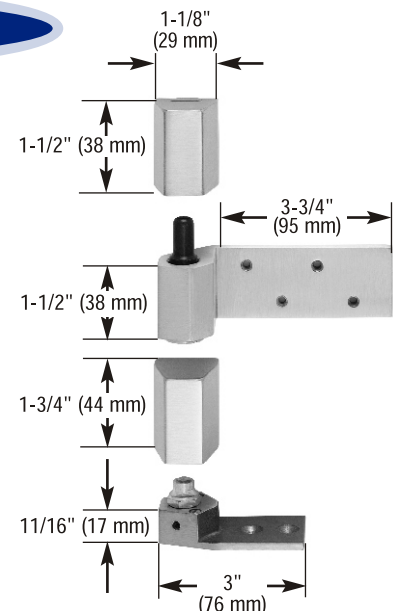
APPLICATION: Aluminum Doors and Frames
 CAPACITY: Maximum Weight = 250 Lbs. (114 kg)
 FEATURES: Reversible
 Jamb Slot-in
 MATERIAL: Extruded Aluminum
 FINISH: DBZ 313
 US28 / 628
 Short leg available

COMBINATION SET

No. J-29

- Combination J-14 intermediate and floor pivot set
- For use with offset overhead concealed closer application

APPLICATION: Aluminum Doors and Frames
 CAPACITY: Maximum Weight = 125 Lbs (57 Kg)
 FEATURES: Reversible - Non-Handed
 MATERIAL: Extruded and Cast Aluminum
 FINISH: DBZ 313
 US28 / 628



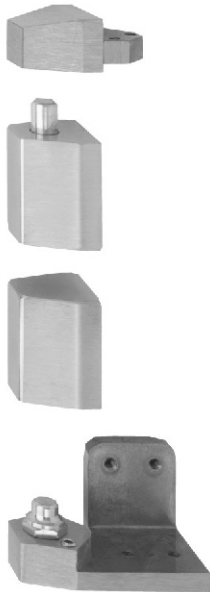


PIVOTS

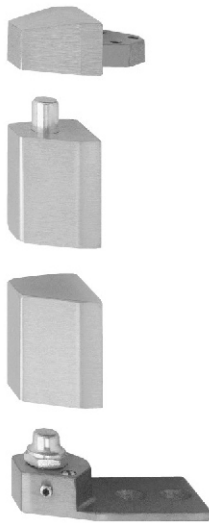
3/4" OFFSET - PIVOT SETS

- Suitable for aluminum frames and doors weighing up to 125 lbs. (57 kg)
- Matching contemporary design
- Extruded or Cast Aluminum

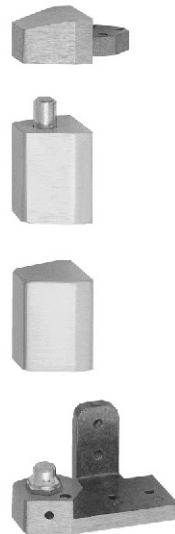
- Full race ball-bearing and oilite bronze bushing
- Fully retractable, spring loaded top pin for easy door installation and adjustment
- 1/8" (3 mm) vertical adjustment



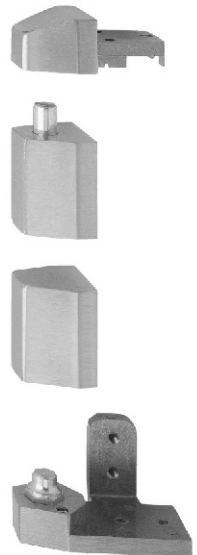
Set No. J-25
Set No. J-26



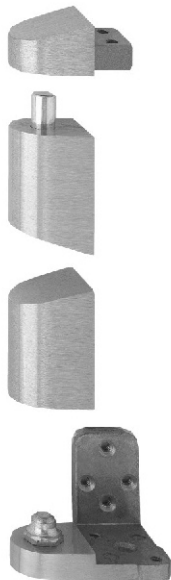
Set No. J-27
Set No. J-28



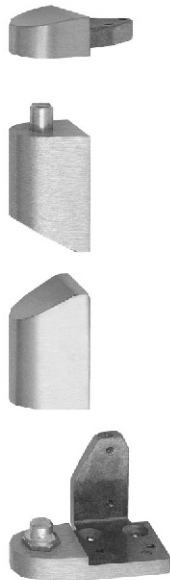
Set No. J-30
Set No. J-31



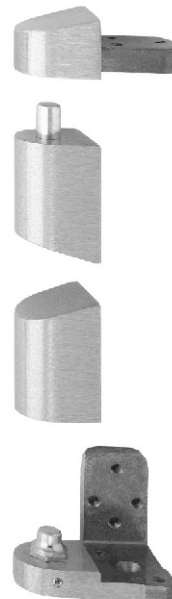
Set No. J-43



Set No. J-34



Set No. J-40



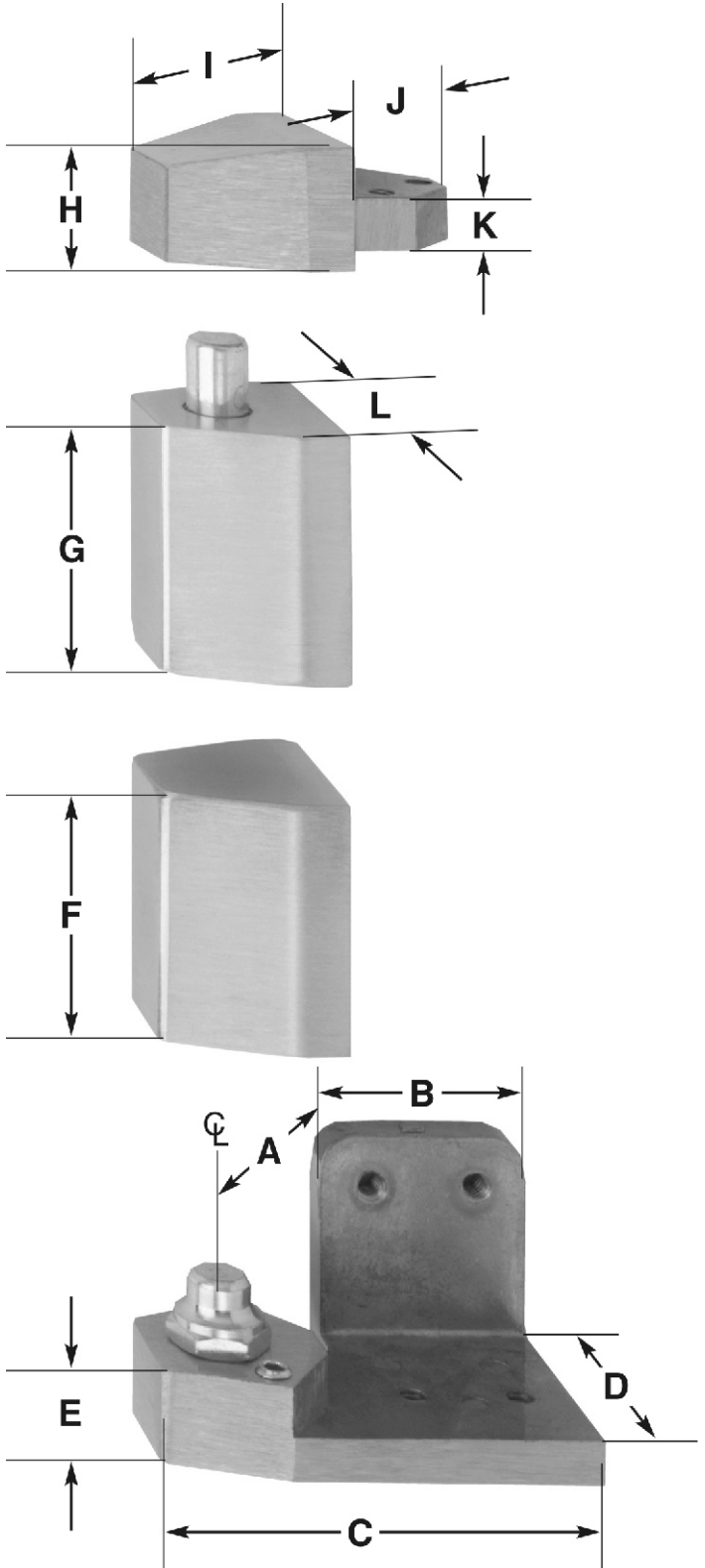
Set No. 41

NOTE: See page D6 for individual parts breakdown.



PIVOTS

3/4" OFFSET - PIVOT SETS



Set #	Hand	Application	A	B	C	D	E	F & G	H	I	J	K	L
J-25	R or L	Flush w/frame face	1" (25)	1 1/2" (38)	3" (76)	1 29/32" (48)	1 1/16" (17)	1 3/4" (44)	7/8" (22)	1 1/4" (32)	29/32" (23)	3/8" (10)	1 3/8" (35)
J-26	R or L	Recessed 1/8"	1" (25)	1 1/2" (38)	3" (76)	1 29/32" (48)	1 1/16" (17)	1 3/4" (44)	7/8" (22)	1 1/4" (32)	29/32" (23)	3/8" (10)	1 3/8" (35)
J-27	NH	Flush w/frame face	NA	NA	3" (76)	1 5/8" (41)	1 1/16" (17)	1 3/4" (44)	7/8" (22)	1 1/4" (32)	29/32" (23)	3/8" (10)	1 3/8" (35)
J-28	NH	Recessed 1/8"	NA	NA	3" (76)	1 5/8" (41)	1 1/16" (17)	1 3/4" (44)	7/8" (22)	1 1/4" (32)	29/32" (23)	3/8" (10)	1 3/8" (35)
J-30	R or L	Flush w/frame face	1" (25)	7/8" (22)	3" (76)	1 7/8" (48)	1 1/16" (17)	1 3/4" (44)	7/8" (22)	1 1/4" (32)	29/32" (23)	3/8" (10)	1 3/8" (35)
J-31	R or L	Recessed 1/8"	1" (25)	7/8" (22)	3" (76)	1 7/8" (48)	1 1/16" (17)	1 3/4" (44)	7/8" (22)	1 1/4" (32)	29/32" (23)	3/8" (10)	1 3/8" (35)
J-34	R or L	Flush w/frame face	7/8" (22)	1 3/16" (30)	2 3/4" (70)	1 15/16" (49)	1/2" (13)	2 5/8" (55)	15/16" (24)	1 3/8" (35)	3/4" (19)	7/16" (11)	1 3/8" (35)
J-40	R or L	Recessed 1/8"	29/32" (23)	1 3/16" (30)	3" (76)	1 15/16" (49)	1/2" (13)	2 1/4" (57)	3/4" (19)	1 1/4" (32)	1 5/16" (33)	3/8" (10)	1 3/8" (35)
J-41	R or L	Recessed 3/32"	7/8" (22)	1 3/16" (30)	2 3/4" (70)	1 15/16" (49)	1/2" (13)	2 5/8" (55)	1 1/8" (29)	1 1/4" (32)	1 5/16" (33)	7/16" (11)	1 3/8" (35)
J-43	R or L	Flush w/frame face	1" (25)	7/8" (22)	3" (76)	1 7/8" (48)	1 1/16" (17)	1 3/4" (44)	1" (25)	1 9/32" (33)	1 5/16" (33)	3/8" (10)	1 3/8" (35)

(mm)



PIVOTS

3/4" OFFSET - PIVOT SETS

PIVOT COMPONENT LISTING

SET NO.	HEADER AND FLOOR	TOP DOOR AND BOTTOM DOOR
J-25 RH	42-1570	42-1594
J-25 LH	42-1571	42-1594
J-26 RH	42-1578	42-1594
J-26 LH	42-1579	42-1594
J-27	42-1568	42-1594
J-28	42-1576	42-1594
J-30 RH	42-1572	42-1594
J-30 LH	42-1573	42-1594
J-31 RH	42-1580	42-1594
J-31 LH	42-1581	42-1594
J-34 RH	42-1566	42-1592
J-34 LH	42-1567	42-1592
J-40 RH	42-1574	42-1596
J-40 LH	42-1575	42-1596
J-41 RH	42-1562	42-1590
J-41 LH	42-1563	42-1590
J-43 RH	42-1564	42-1594
J-43 LH	42-1565	42-1594



PIVOTS

PIVOT SETS

For 1-3/4" Aluminum Doors weighing not more than 125 lbs. (57 kg)



213 Walking beam
Top Pivot



673A Top Door Arm
w/nylon bushing



676 Bottom Door Arm
w/Ball Bearing Race

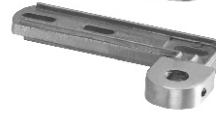


678 Floor Portion
w/Steel Pin

670M - Center-Hung



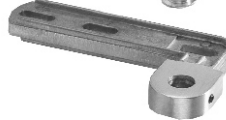
691 Top Header Portion
w/nylon bushing



684 Offset Arm



685 Pivot Pin



684 Offset Arm



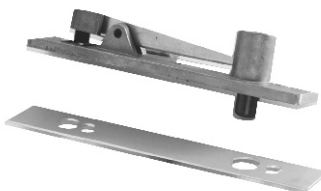
686 Bearing Holder
w/Ball Bearing Race



678 Floor Portion
w/Steel Pin

689 - Offset (non-handed)

For 1-3/4" Wood or Hollow Metal Doors weighing not more than 125 lbs. (57 kg)



213K Walking Beam Top
Pivot w/cover plate



653A Top Door Arm
w/nylon bushing



676 Bottom Door Arm
w/Ball Bearing Race



678 Floor Portion
w/Steel Pin

650M - Center-Hung



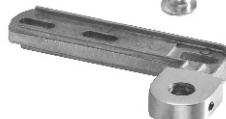
691 Top Header Portion
w/nylon bushing



694 Offset Arm



685 Pivot Pin



694 Offset Arm



686 Bearing Holder
w/Ball Bearing Race



678 Floor Portion
w/Steel Pin

690 - Offset (non-handed)