

INSTRUCTION MANUAL

IMPORTANT! Read these instructions before you use your new 044 Key Machine.
Ensure that all safety recommendations are followed!
See page 3 for instructions.

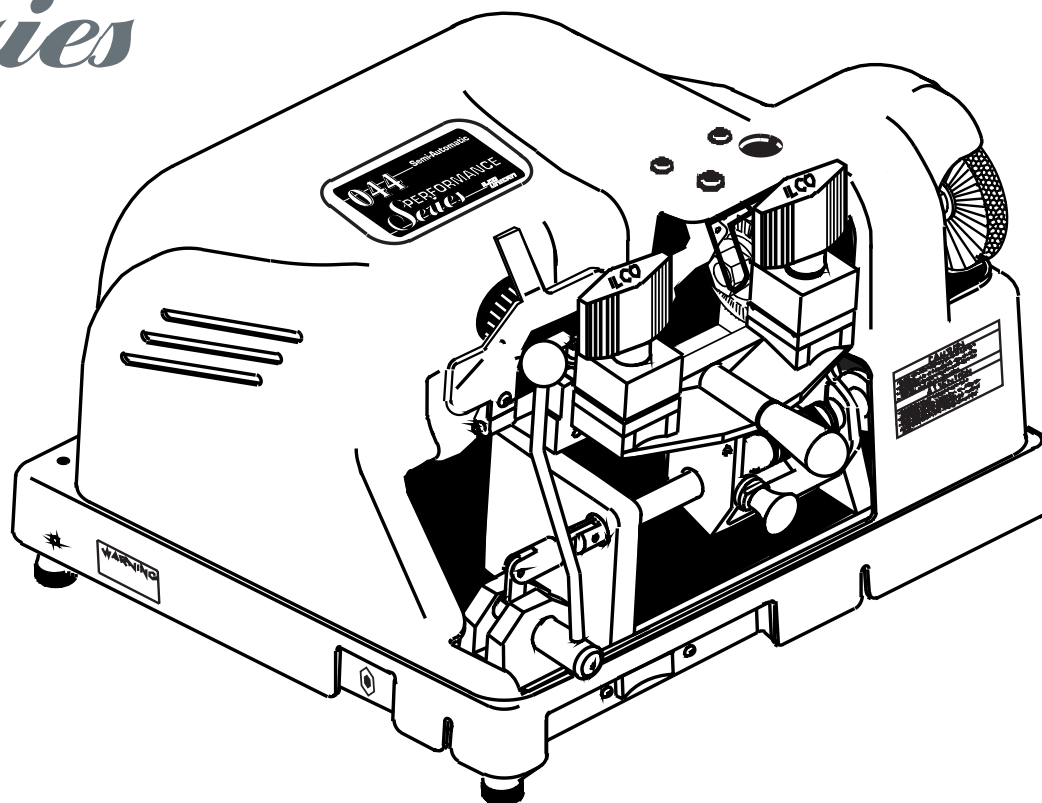
MANUEL D'UTILISATION

IMPORTANT : Veuillez lire ces instructions avant d'utiliser votre nouvelle machine à tailler les clés no 044. Assurez-vous de suivre toutes les recommandations de sécurité!
Reportez-vous à la page 16 pour consulter ces consignes.

MANUAL DE INSTRUCCIONES

IMPORTANTE: Lea estas instrucciones antes de utilizar su nueva máquina de tallar llaves del modelo nº 044.
Asegúrese de que se cumplen todas las consignas de seguridad (página 30).

PERFORMANCE
Series



ilco

This manual is applies specifically to the 044 Performance Series key machine. It properly identifies your model and assures you will receive correct parts, if and when you require replacement parts. Retain this manual in a safe place. It's the only one of its kind. If ownership of this machine is transferred, this service manual should accompany the machine.

When seeking service information about this machine, refer to Model No. 044 and the part number desired (see pages 6 to 8). Note that many parts are not interchangeable with other KABA ILCO machines.

CONTENTS

Warranty	2
Safety information	3
Introduction / unpacking	4
Operating parts (illustrated).....	5
Operating parts identification (names and part numbers) ..	5
Exploded view	6
Exploded view parts list / unpacking / test keys	8
How to duplicate keys	9
The cutting operation / replacing the cutter	12
Adjustments	13

ONE YEAR LIMITED WARRANTY

KABA ILCO warrants to the original buyer of any new model 044 machine that it will repair or replace, at its option, any part of any machine which proves, to the reasonable satisfaction of KABA ILCO, to have defects arising from the faulty manufacture of the machine or from defective material or components, during a period of one (1) year from the date of shipment of the machine by KABA ILCO, provided that the machine is returned by prepaid transport to KABA ILCO or to its authorized representative before the expiry of the warranty period together with a detailed description of the alleged defect(s). KABA ILCO may, at its discretion, elect to refund the purchase price allowable to the part affected, or to issue a credit if the price therefore remains unpaid.

KABA ILCO sells precision-made machines. The buyer assumes all risks, and KABA ILCO shall not be liable for any reason, if the machine has been subjected to improper installation, improper use, improper or inadequate maintenance, negligence, if any unauthorized modification or alteration is made to the machine, or in case of accident. For greater certainty, any machine not operated in accordance with KABA ILCO printed instructions or operated beyond its rated capacity shall not be covered by this or any other warranty.

Any and all warranties made by KABA ILCO on any machine, product, or component thereof shall be effective only if and for so long as the buyer complies with all payment obligations pursuant to the buyer's accepted and acknowledged order. Failure to meet such payment obligations shall void all warranties and not extend the period of time for which such machine, product of component thereof is warranted irrespective of whether or not payment is eventually made.

These warranties are in lieu of and not in addition to any other warranty of condition, expressed or implied, including without limitation merchantability, fitness for a particular purpose or latent defects. The buyer releases KABA ILCO from any liability for any reason other than a breach of its warranties hereunder.

The liability of KABA ILCO shall in no case, including negligence, exceed the purchase price of the defective machine, nor shall KABA ILCO be liable for any personal injuries, property damage or consequential damages.

Use only genuine KABA ILCO replacement parts on this machine!

Serial number : _____

WARNING – SAFETY NOTICE

IMPORTANT - Please read carefully before operating machine.

Safety begins with education, and continues with proper application. All personnel who operate your machine should read the supplied Operator's Manual for information on how to properly operate it. The likelihood of accidents and miscuts will be greatly reduced.

General safety

- Safety glasses must be worn to reduce the possibility of eye injury while operating or in the immediate vicinity of key cutting equipment.
- Always turn machine off before making adjustments or inserting or removing keys.
- Machine should be located in an area accessible only by authorized operators. Location must be such that customers and other personnel are not subject to potential injury from "flying chips".
- Do not defeat safety features built into your machine. Removal or modification of safety shields, cutter guards, and other safety devices should be strictly forbidden.
- At no time should the mechanically-driven parts of the machine be touched while it is in operation. The operator should take care to ensure that loose-fitting clothing, long hair, etc. are kept from the area of machine operation.
- Your machine has been specially designed and built for key cutting purposes only and should be operated according to the Operator's Manual. All other uses are strongly discouraged as potentially dangerous, and should not be attempted! Such use will immediately void the machine's warranty.
- Some states have specific age restriction concerning the operation of certain types of equipment. Check local and state ordinances for compliance.

Electrical safety

- (115 Volt models) Your machine is designed to operate using 120 Volt A. C. 60 Hz. electrical current. It is supplied with a three-prong power plug which should be used with a properly grounded three-prong outlet only. Do not defeat the safety purpose of the plug by modifying or using with non-grounded outlets!
- To reduce risk of fire or electrical shock, do not expose or operate machine in damp or wet locations.
- Electrical problems should be referred to qualified repair technicians. If the machine is under warranty, contact KABA ILCO at the address printed on the cover. (KABA ILCO also offers repair service for out-of-warranty machines. Contact KABA ILCO for details.)
- Always unplug the machine before removing the hood or changing the cutter wheel.

Grounding instructions

- In the event of a malfunction or breakdown, grounding provides a path of least resistance for electric current to reduce the risk of electric shock. This machine is equipped with an electric cord that has an equipment-grounding conductor and a grounding plug. The plug must be plugged into a machine outlet that is properly installed and grounded in accordance with all local codes and ordinances.
- Do not modify the plug provided - if it will not fit the outlet, have the proper outlet installed by a qualified electrician.
- Improper connection of the equipment grounding conductor can result in a risk of electric shock. The conductor with insulation that has a green outer surface (with or without yellow stripes) is the equipment-grounding conductor. If repair or replacement of the electric cord or plug is necessary, do not connect the equipment grounding conductor to a live terminal.
- Check with a qualified electrician or service personnel if the grounding instructions are not completely understood, or if in doubt as to whether the machine is properly grounded.
- Use only 3-wire extension cords that have 3-prong grounding plugs and 3-pole receptacles that accept the machine's plug.
- Repair or replace damaged or worn cords immediately.

INTRODUCTION / UNPACKING

Congratulations! **You've purchased a superior key cutting machine.**

The Model 044 semi-automatic Performance Series key machine you've just purchased incorporates the latest improvements in design for key duplicating machines of its type.

The semi-automatic function of the 044 means that the machine itself supplies the proper degree of pressure against the machine's carriage during the key duplication process and that the "tracing" motion of the carriage while duplicating a key is controlled by simply moving a lever! In essence, the model 044 duplicates keys with more consistent accuracy and greater speed, especially important in

situations where several employees operate the machine during the course of the day.

Featuring exclusive four-way vise jaws, the model 044 is designed to accommodate virtually any standard cylinder key without the need for adapters. Even double-sided automotive keys can be duplicated with ease; the four-way jaws include stations ideally suited to gripping these keys and is capable of gripping them in the groove or milling for enhanced clamping performance when necessary (See illustration on page 10).

Unpacking instructions

Your 044 key machine has been shipped to you in a sturdy, specially cushioned container to prevent the possibility of damage during handling and shipment. Once the machine is removed from the carton, it should be set up on a level workbench and wiped free of all rustproof-

ing oil. The machine is adjusted at the factory and test keys have been cut on it, but it is recommended that you check the adjustments to make sure they have not slipped or shifted during transit (see page 13 "Adjusting for depth of cut").

Safety

The 044 has been engineered to duplicate cylinder (paracentric) keys. It is not intended or designed for any other purpose. The machine operator assumes all liability when using this machine in a manner inconsistent with its stated design purpose. Refer to page 3 for complete safety information before operating the machine.

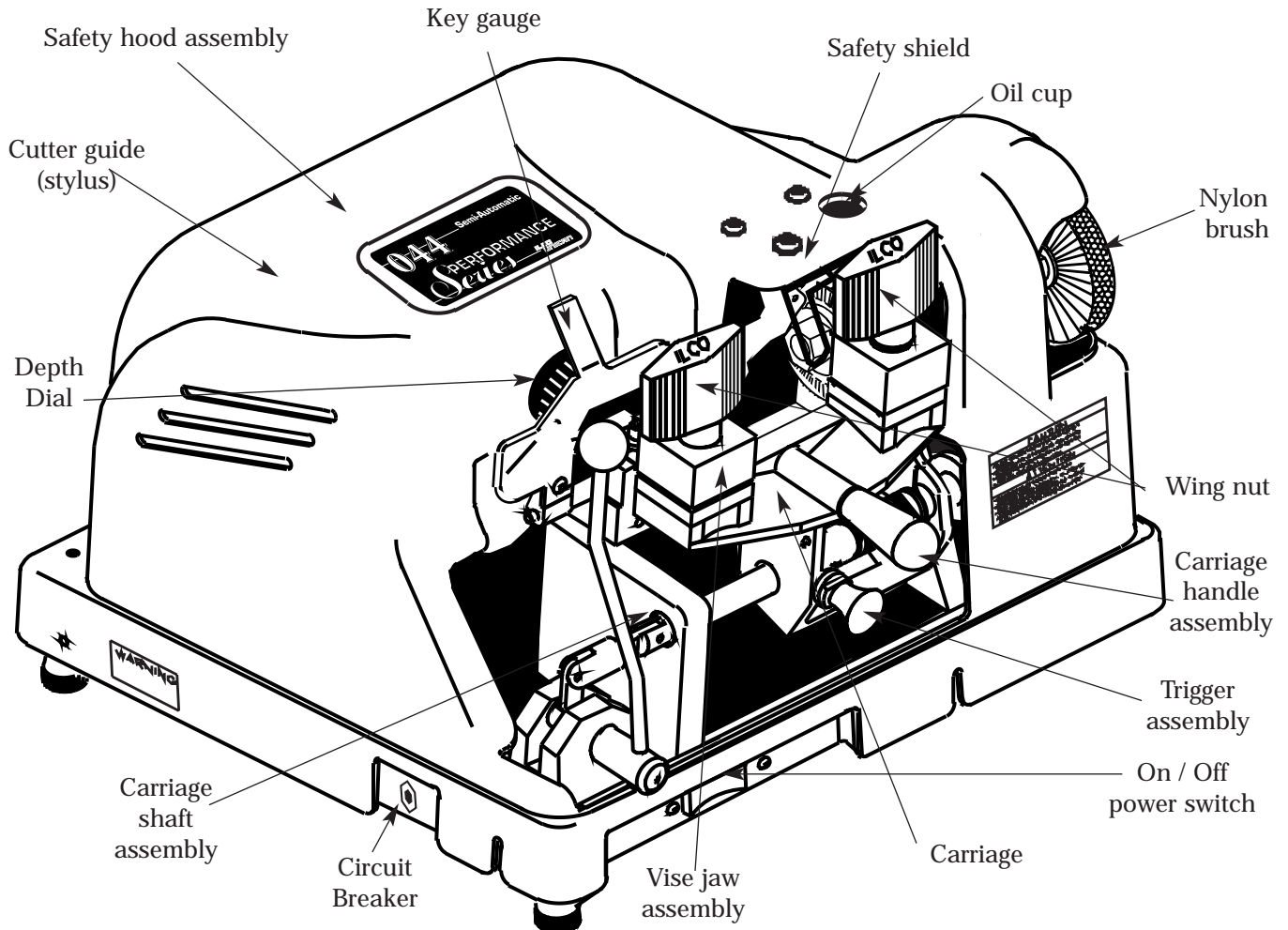
KABA ILCO **strongly recommends** the use of protective eye glasses or goggles when operating this machine, or

when in the vicinity of the machine while it is being operated. Protective eye wear prevents injuries! The machine should be turned off before loading or unloading keys.

When the key machine is operating, be careful not to contact the vise jaw or carriage against the cutting wheel as this will cause damage to the cutter, jaw, or carriage.

CAUTION! DO NOT DESTROY OR DISCARD THIS SPECIAL SHIPPING CARTON. STORE IT CAREFULLY IN A SAFE PLACE. THIS CARTON SHOULD BE USED WHENEVER THE MACHINE IS MOVED OR SHIPPED.

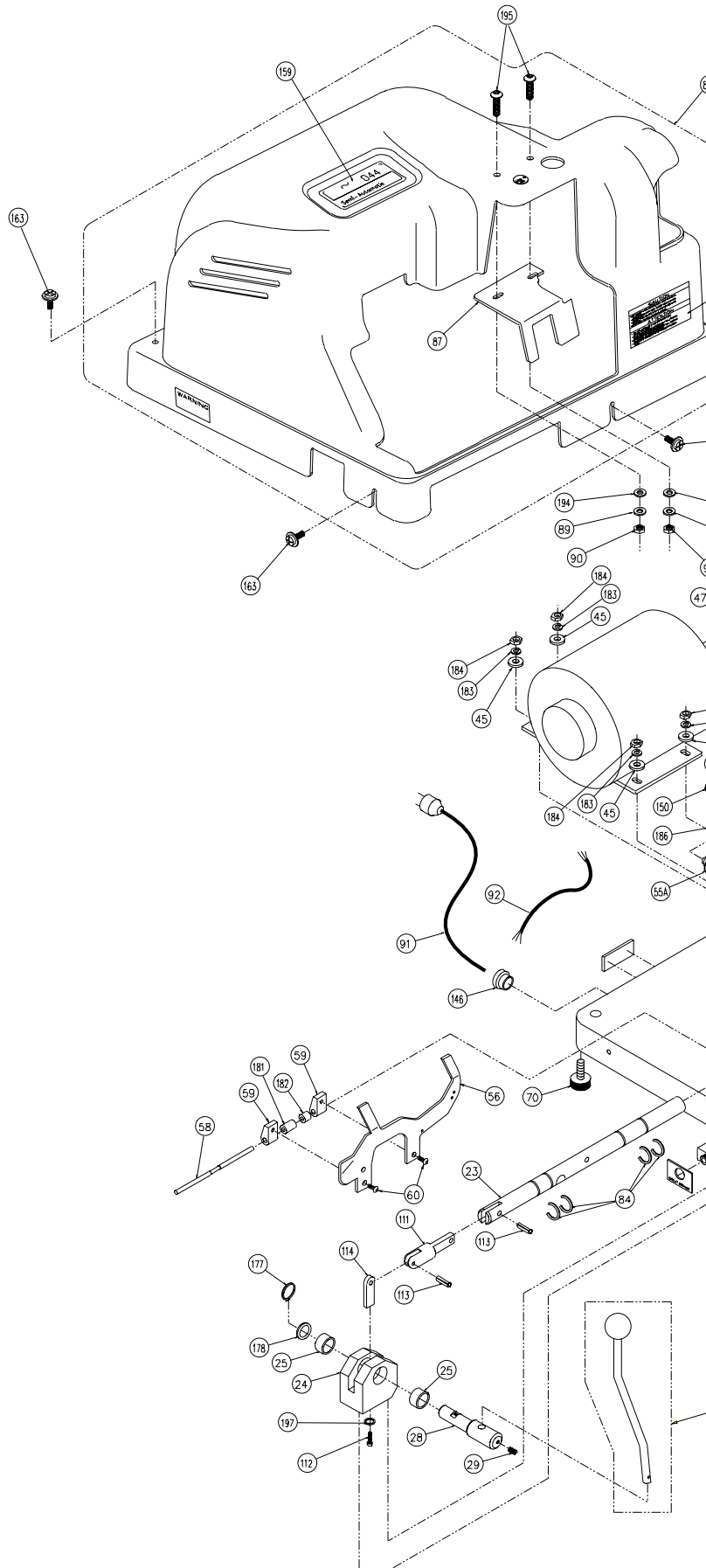
OPERATING PARTS



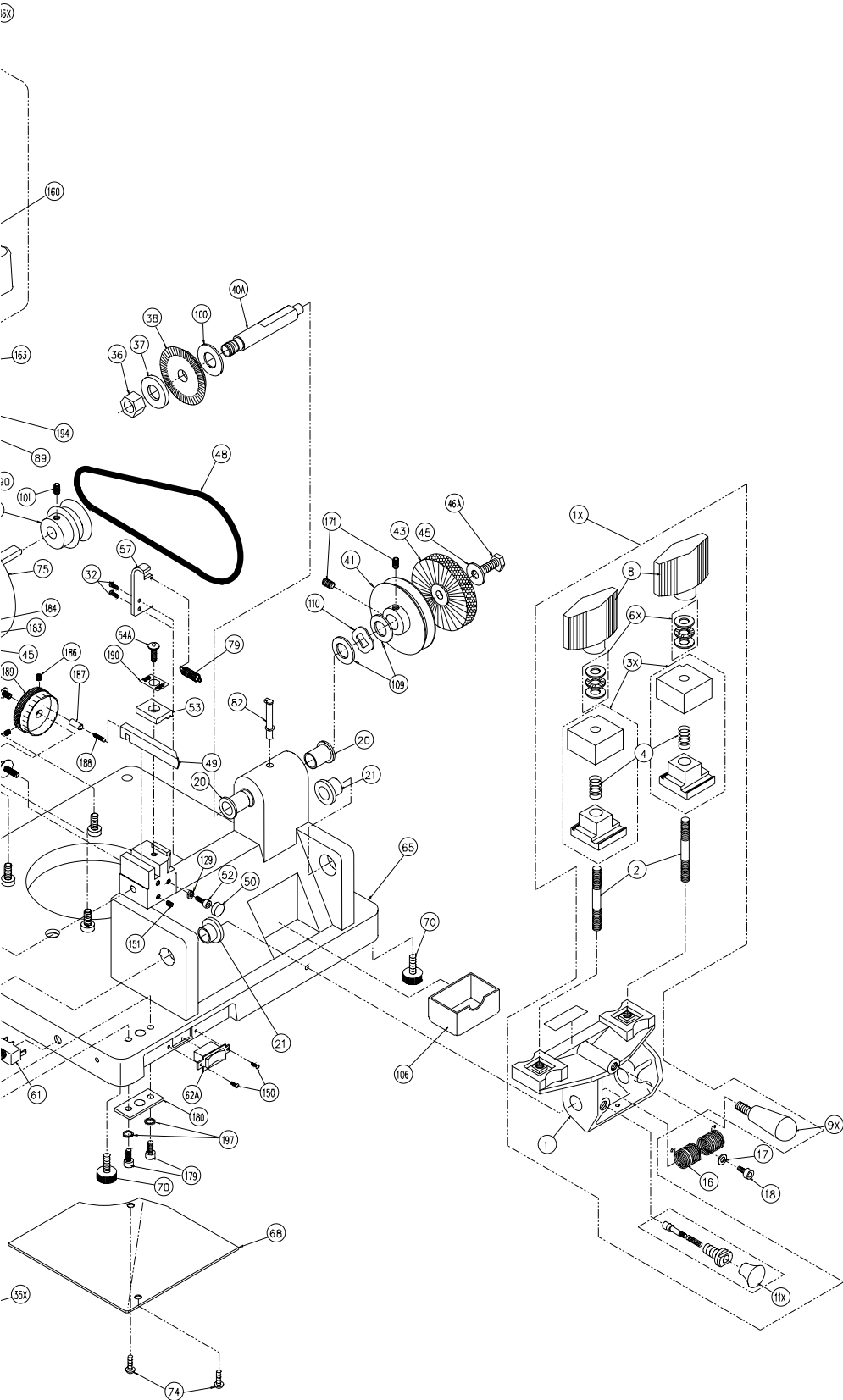
Operating parts identification

Part no.	Identification
024B-1	Carriage
025-3X	Vise jaw assembly
025-8	Wing nut
040-9X	Carriage handle assembly
040-11X	Trigger assembly
044-35X	Carriage lever assembly
CU20	CU20 cutter
814-00-51	Nylon brush
044-49A	Cutter guide (stylus)
040-56	Key gauge
025-61	Circuit Breaker
025-62A	On/Off switch
025-82	Oil cup
044-86X	Safety hood assembly
045-87	Safety shield

EXPLODED VIEW



EXPLODED VIEW



EXPLODED VIEW PARTS LIST

Refer to pages 6-7 for illustration

Ref.	Part no.	Description	Ref.	Part no.	Description
1	024B-1	Carriage	75	040-75	Motor, ¼hp,115V, C/S
1X	024B-1X	Carriage assembly	79	024B-79	Key gauge spring
2	025-2	Carriage stud	82	025-82	Oil cup
3X	025-3X	Vise jaw assembly	84	024B-84	Crescent ring
4	025-4	Vise jaw spring	86X	044-86X	Safety hood assembly
6X	025-6X	Thrust bearing set	87	045-87	Safety shield
8	025-8	Wing nut	89	045-89	#10 Lockwasher
9X	040-9X	Carriage handle assembly	90	025-90	Nut, #10-32
11X	040-11X	Trigger assembly	91	024B-91	Power cord
16	040-16	Carriage torsion spring	92	024B-92	3 wire motor cable
17	024-17	Washer	100	024B-100	Cutter spacer, right
18	024-18	Screw, 10-32 x 1/2"	101	025-101	Set screw, 1/4-20 x 1/4"
20	025-20	Cutter shaft bushing	106	040-106	Chip tray
21	025-21	Carriage shaft bushing	109	025-109	Bearing washer
23A	024B-23	Carriage shaft	110	025-110	Wave washer
24	024B-24	Pivot block	111	024B-111	Yoke
25	024B-25	Pinion shaft bushing	112	024B-112	Socket head screw, 10-32 x 3/4"
28A	024B-28	Pinion shaft	113	024B-113	Roll pin
29A	024B-29	Set screw 1/4-20 x 5/16"	114	024B-114	Torque arm
32	024B-32	Socket hd. screw, 10-24 x ¾"	129	040-129	Locking nut (8-32)
25X	044-35X	Carriage lever assembly	146	040-146	Power cord strain relief
36	025-36	Cutter nut, N-4	150	040-150	Switch screw (6-32 x 1/4")
37	025-37	Cutter spacer	151	040-151	Set screw (8-32 x 3/8")
38	CU20	CU20 cutter	160	025-160	Caution label
40A	025-40A	Cutter shaft	163	045-163	Hood Screw
41	025-41	Cutter shaft pulley	171	025-171	Cutter pulley set screw, ¾" -18
43	814-00-51	Nylon brush	177	024B-177	Ext. retaining ring
45	024-45	Brush bolt washer, ⅙"	178	024B-178	washer
46A	025-46A	Hex head screw, ⅙"-18 x ¼"	179	024B-179	#10-32 x 3/4" SCHS
47	025-47	Motor pulley 2" - 3L	180	024B-180	Mount plate
48	025-48	V-Belt, 3L-180	181	024B-181	Key Gauge Spacer - Left
49	044-49	Cutter guide (stylus)	182	024B-182	Key Gauge Spacer - Right
50	040-50	Carriage stop	183	040-183	1/4-20 Lockwasher
52	040-52	Socket hd. screw 8-32 x 1-1/2"	184	040-184	1/4-20 Hex Nut
53	045-53A	Cutter guide binding plate	186	045-186	6-32 x 3/8" set screw
54	045-54	Cutter guide binding screw	187	045-187	dowel
55	045-55A	Adjusting screw	188	045-188	dowel spring
56	040-56	Key gauge	189	045-189	Adjustment dial
57	024B-57	Key gauge bracket	190	045-190	Cutter guide label
58	024B-58	Key gauge dowel pin	194	045-194	Chip Guard #10 flat washer
59	025-59	Key gauge housing (two)	195	045-195	10-32 x 1/2" Button hd. screw
60	025-60	Cap screw, 8-32 x ½"	197	044-197	High collar lock washer
61	025-61	Circuit Breaker, ETA 1658	IM	044-IM	Instruction manual
62A	025-62A	On/Off switch	NS	025-240	220V ¼HP motor
65	044-65	Machined base			
68	040-68	Electrical cover			
70	040-70	Rubber mount			
74	040-74	Truss head screw, 8-32			

Operating Handles

The 044 key machine is shipped completely assembled except for the carriage handle and the lever handle. Upon unpacking the machine, locate the carriage handle and thread it into the carriage in the area directly above the trigger assembly. Then, cut the nylon band holding the carriage rigid and insert the lower end of the lever handle into the hole in the pinion shaft (located at the front of the machine on the left side). Tighten the set screw on the front of the pinion shaft to secure the lever handle. Refer to page 5 if unsure of handle placement.

Test keys

A series of cut keys are supplied with your machine. These keys were cut on your machine and represent the result of our quality inspectors' work before approving your machine for shipment. The keys are reproductions of factory dimensioned pattern keys and are accurate to .002" or less. Save these keys and use them as standards to check the accuracy of cuts in the keys you make. By measuring across the cuts with a micrometer, you'll be able to see if your machine is cutting too deep or too shallow, thus indicating that an adjustment of the cutter guide is necessary.

Proper key cutting techniques

Even though your 044 key machine is designed to make key cutting fast, easy and accurate, operator technique is important. The actual mechanics of placing keys within the vise jaws is simple to learn, but there are some basics that must be followed. A properly adjusted key machine used by someone who ignores good key cutting techniques will NOT produce a good key. The way a person clamps a key into the vise jaws is critical to the accuracy of the duplicated key.

Remember - the real purpose of a duplicate key is to operate the lock for which it was intended. If customers return keys, you should reexamine your cutting techniques and adjustment of the machine.

Here are some important operating tips:

1. Vise jaws - clean them regularly so that no metal chips lie under the keys. **It is essential that both keys lie flat across the entire width of each vise jaw. Neither key should be tilted.**
2. Do NOT use pliers or other tools to tighten the vise jaws. Firm hand pressure is sufficient.
3. Keep the carriage shaft free of metal chips. A thin film of oil can be applied to it. The carriage should be free to move without binding.
4. NEVER touch the shoulder of a key to the side of the cutter guide. This will cause the shoulder of the key blank to touch the side of the cutting wheel. When this happens, some of the metal will be cut away from the shoulder of the key blank. If the resulting duplicated key is duplicated two, three, four times over, an error will accumulate and cause a non-operating key. Do not grind away the shoulder.
5. Don't run the cutter into the vise jaw; this will dull the cutter, and reduce cutter efficiency.
6. Keep the cutter clean. Don't let any foreign objects or instruments blunt it. This cutter is a precise cutting tool and should be handled with care.
7. Lubrication of moving parts is important. An oil cup is provided to keep the cutter shaft bearings well lubricated. (5-7 drops of 3-in-1 or lightweight spindle oil in the oil cup is sufficient.) The carriage spindle should be lubricated with a thin film of oil and wiped free of chip build up. The lubrication procedures should be performed every 2-3 weeks depending on usage. The motor requires lubrication on an annual basis. See motor label for details.

HOW TO DUPLICATE KEYS

General key duplication procedures

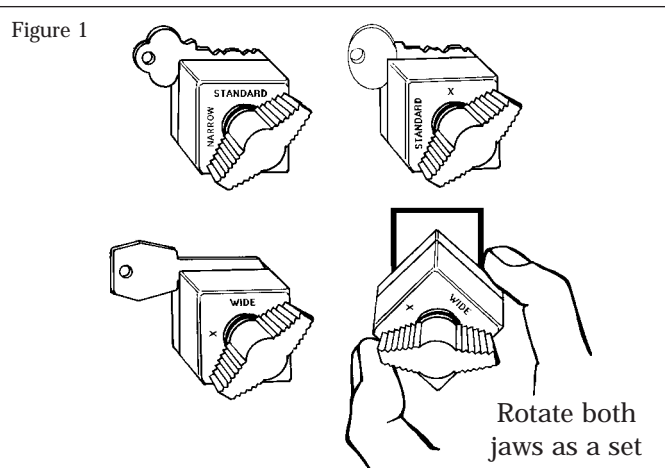
WARNING: Do not install or remove keys unless the off/on switch is in the OFF position! Always wear eye protection when operating this machine!

There are four procedures that the machine operator performs to insure proper duplication of a key:

1. Selection of the proper key blank. Compare the head, length, and key blank's cross section (width, angle, and location of grooves) with the key to be duplicated to assure that a proper match has been made.
2. Ensuring both four-way vise jaws have been placed in the proper position for the type of key to be duplicated. See "Using the four-way vise jaws" section of this manual.
3. Proper alignment of the pattern key and blank key within the vise jaws. See "Aligning keys in the vise jaws".
4. Actual duplication of the pattern key; which can be properly accomplished only after the previous steps are performed.

Using the four-way vise jaws

Your 044 is equipped with the KABA ILCO versatile Four-way, Super Jaw 2 vise jaws. They feature four unique clamping surfaces to securely grip virtually any typical cylinder key (see Fig. 1).



Using the four-way vise jaws (cont.)

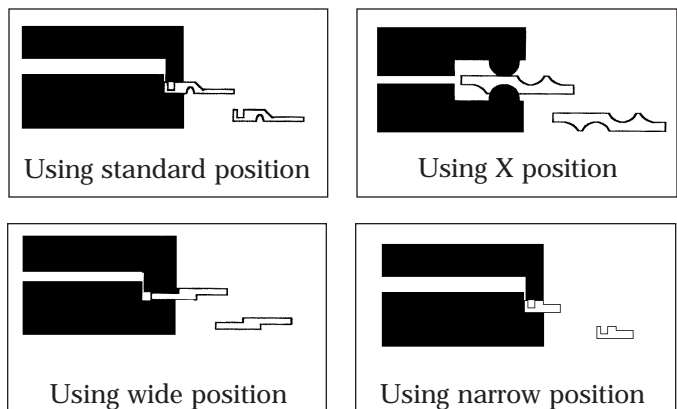
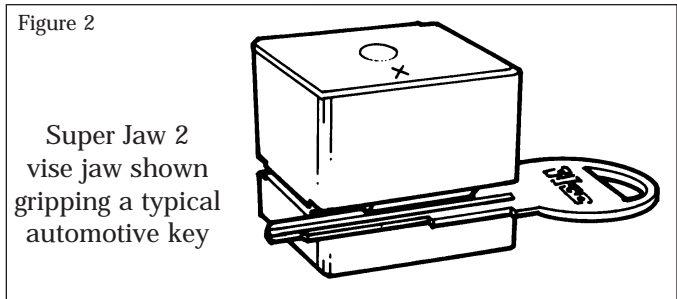
To obtain the best gripping action possible, it is necessary to assure that the proper vise jaw position is selected for each key you duplicate. The vise positions are explained below and proper usage shown in figure 2.

Standard - for holding regular cylinder keys, such as house keys, single sided automotive keys, padlock keys, with one or two shoulders.

Narrow - for holding the 1092B and other narrow width keys.

Wide - for holding the Ford double-sided keys and similar types, either primary or secondary. When positioning the keys in the vise jaws, lay the key so that its center ledge is flat against the top surface of the jaw.

X - Ideal for holding most double-sided convenience keys used on most current automobiles. Grip these keys by the grooves rather than the blade edge where the cuts are located (see Fig. 2).



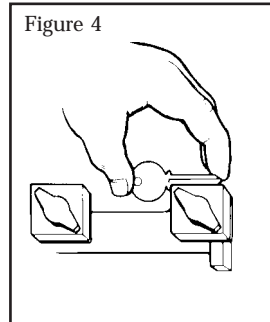
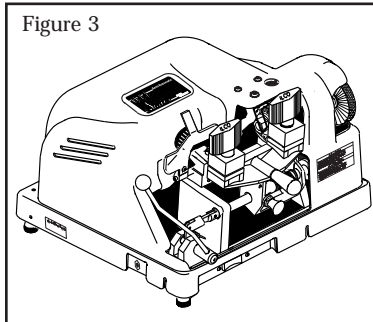
To reposition the vise jaws, as from Standard to Wide, first loosen the wing nuts. Then lift upward on the top and bottom of each vise jaw as a complete unit to raise them above their seat in the carriage. Rotate the jaws until the chosen vise position is facing toward the rear of the machine and lower the jaws back into contact with the carriage. Both left and right vise jaws should be rotated to the same position.

Aligning keys in the vise jaws Keys with shoulders

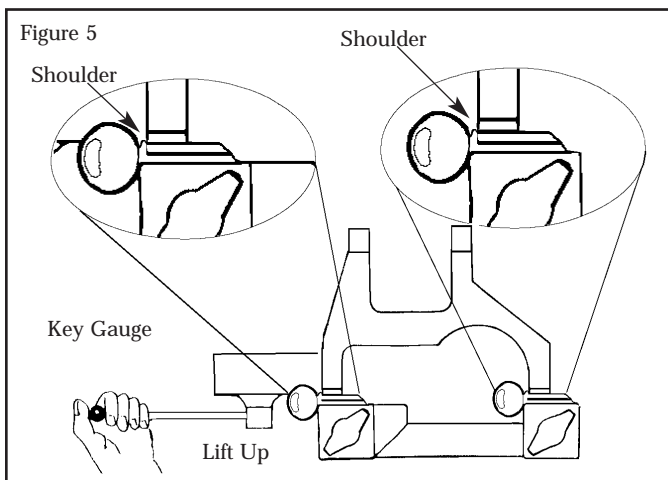
WARNING: Do not install or remove keys unless the off/on switch is in the off position.

Both the pattern key and the key blank must be properly aligned and securely clamped in the vise jaws prior to duplication. The correct procedure to do this follows:

1. Move the carriage lever to the left as far as possible (See Fig. 3)



2. Assure that both vise jaws are rotated to the correct position for the type of key being duplicated.
3. Place the key blank in the right hand jaw. Position it so that it is parallel with the front portion of the jaw (see Fig. 4). Tighten wing nut lightly.
4. Swing key gauge down to rest on the blade of the key blank. Slowly move carriage lever clockwise to the right until the shoulder of the key blank butts up against the edge of the key gauge (See Fig. 5).
5. Use index finger to press down on the front edge of the key blank while loosening wing nut. Retighten securely after assuring that the key blank is contacting key gauge and is properly seated in the vise jaw.
6. Position pattern key in the left vise jaw repeating the procedure described in step 4.

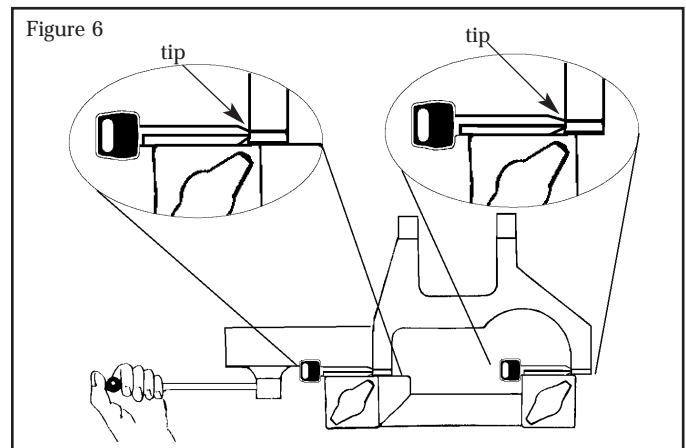


7. Check to ensure that the pattern key and blank key's shoulder are snug against the key gauge and both keys positioned level (not tilted) in the vise jaws. Return key gauge to the "up" position. The key is now properly aligned for duplication.

Aligning keys in the vise jaws Keys without shoulders

On keys that don't have a conventional shoulder, such as the Ford double-sided key, the tip of the key is used as the aligning point. With keys of this type follow this procedure.

1. Assure that both vise jaws are rotated to the correct position for the type of key being duplicated.
2. Position the key blank in the right hand jaw. For most tip gauged automotive keys, position the blank so that the tip is roughly 1/4" left of the jaws right edge. Tighten the jaws wing nut securely.
3. Move the carriage lever to the left so that the key gauge's right hand "finger", **with gauge lowered**, is just forward of the key blank's tip.
4. Insert the customer's key (pattern key) in a similar manner in the left hand jaw. Then position both the customer's key and the key blank so that their tips are both in **direct contact** with the left edge of the key gauge fingers (See Fig. 6)



5. After both the customer's key and blank key are aligned, left key gauge to its 'raised' position.
6. If a key is cut on both sides, after duplicating "side one" rotate and proceed with "side two" using the same alignment procedure. In the case of Ford keys as well as most double-sided European and Japanese double sided keys, only the blank needs to be rotated as the cuts are the same on both sides.
7. Refer to page 12 for additional information covering the actual key duplication process.

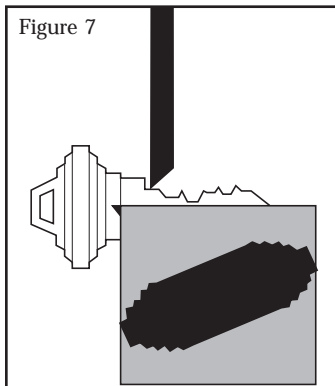
THE CUTTING OPERATION / REPLACING THE CUTTER

General Operating Sequence

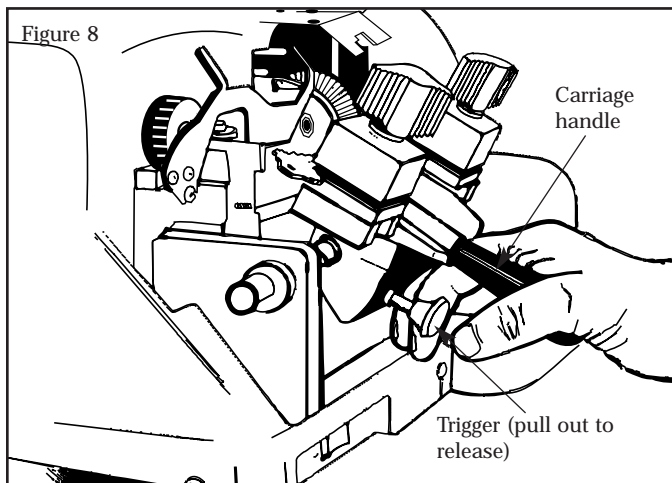
WARNING: Do not install or remove keys unless the off/on switch is in the off position. Always wear eye protection when operating this machine!

1. Rotate both vise jaws to the station suitable for the key being duplicated.
2. Insert the blank key and pattern key into the vise jaw using the appropriate method described under "Aligning Keys in the Vise Jaws". Be sure that both keys are laying level in the vise jaws and are not tilted.

3. After the keys are aligned, move the carriage lever to the right (clockwise) until the cutter guide is slightly left of the cut closest to the head of the pattern key (see Fig. 7).



4. Press the off/on switch to the "on" position.
5. **Push down on the carriage handle while pulling out on the carriage trigger** (See Fig. 8).



This will allow you to ease the carriage up into cutting position. Take care to ensure that the carriage does not "slam" forward as this will result in probable cutter damage. Remember, best results are obtained if the cutter guide makes initial contact slightly left of the cut closest to the head of the pattern key. Do not permit the cutter to touch the shoulder of the key blank.

6. The carriage movement is controlled by the carriage lever. Using slow to moderate speed, smoothly move the carriage lever to the left (counter clockwise). Avoid using an erratic, jerking movement! Once the cutter is at the tip of the key, move the carriage to the right by moving the carriage lever clockwise. This will result in a second cutting pass over the key blank. STOP before cutter contact with the shoulder of the blank occurs.
7. Press the off/on switch to the "off" position and remove finished key by pushing down on the carriage handle until the trigger clicks into place. Then loosen wing nut to remove duplicate key.
8. To deburr the key, turn the machine on, and position the cut key lightly against the rotating deburring brush,

Replacing the Cutter

The CU20 cutter used on this machine is .250" in diameter, .093" thick and has a 1/2" hole. It's a milling cutter, made out of high speed steel. It has a flat left side, which is excellent for making deep cuts, when these cuts are next to the shoulder, such as on GM, Chicago, etc. No warranty is placed on the cutter, operators should treat it with care and avoid harsh usage. Do not force the carriage up, causing the key blank to bang into the cutter, and do not apply heavy pressure when cutting. Also, do not let the cutter run into the vise jaw; this will dull the cutter quickly.

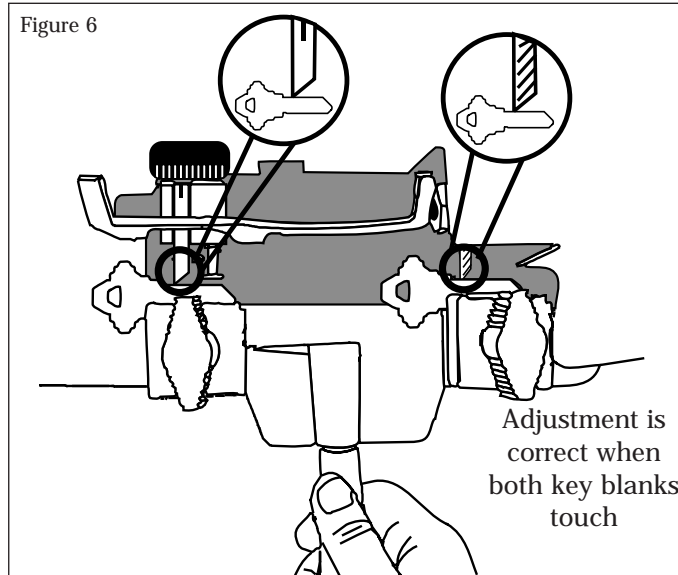
As with any metal cutting instrument, the CU20 will dull with usage. There are three ways to tell when a cutter is dull and requires replacing:

1. Time - a dull cutter takes longer to make the cuts.
2. Sound - a dull cutter will emit a shrill sound as it runs across the key blank.
3. Burrs - a dull cutter will not cut away the metal but will roll it away. When this occurs, there will be a buildup of metal burrs on the underside of the key. If this buildup is heavy, the cutter is dull. A sharp cutter leaves little or no burrs.

To replace the cutter, use two wrenches, one 3/4" wrench for the cutter nut and one 1/2" wrench for the cutter shaft. Set the two wrenches in position and loosen the cutter nut. Note that the cutter nut has a reverse thread and turns downward to loosen. Remove the spacer washers and the dull cutter. Install the new cutter, the washers, and the nut.

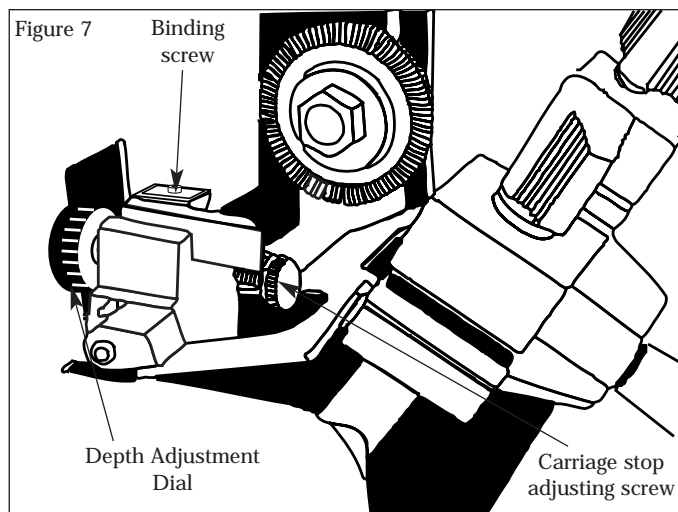
Adjusting for depth of cut

To ensure safety, UNPLUG machine from its power source before adjusting for depth of cut. It's imperative that the key guide and the cutter be in the same plane, that is, aligned to each other. If the cutter guide protrudes further than the cutter, the resulting cuts in a key blank will be too shallow and the duplicate key will not work. Likewise, if the cutter guide is behind the cutter, the cuts in the key will be too deep (see Fig. 6).

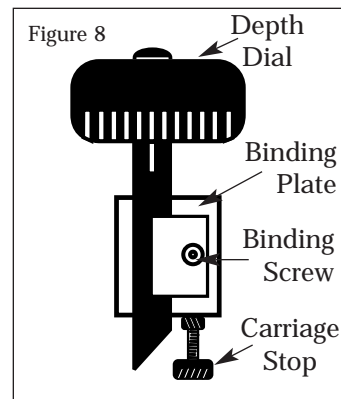


To check the depth adjustment, insert two identical key blanks into the vise jaws, setting them flat in each vise. (It is not necessary to align the blanks.) Then, raise the carriage, positioning the left blank against the cutter guide and the right blank against the cutter. Next, turn the machine pulley by hand and note the right key blank. The cutter should just barely graze the key blank when the adjustment is correct.

No cutter is perfectly round so make one complete rotation of the cutter before changing adjustment. There will



be a high point on the cutter; the adjustment should be made to the high point. If the cutter does not touch the key blank after one rotation, proceed to change the adjustment.



To adjust the cutter guide, loosen the binding screw on top of the cutter guide **slightly**. (see Fig. 7 & 8). Once you have loosened this screw, the depth adjustment dial can be rotated to the left (to decrease depth of cut) or to the right (to increase depth of cut). Again, proper adjustment will be achieved when the cutter

just **barely grazes** the key blank before it while the cutter guide is in contact with the other key blank. Retighten the binding screw once the calibration process is completed. Recheck after tightening to assure that adjustment did not shift.

Each calibration mark on the depth adjustment dial is equivalent to approx. .0015" (1 1/2 thousandths of an inch). As you can see, this system can allow for very precise adjustment of your new key machine. In fact, if you have a key micrometer or dial caliper available, you can adjust your machine with "factory accuracy". To do this, you would simply duplicate a key and measure cuts on both the "pattern key" and the duplicate key for comparison. This would show any deviation that existed and whether the duplicate cuts were too deep or too shallow and by how much. With this information, you can use the depth adjustment dial on your machine to calibrate your machine for best possible accuracy. This is very important as many locks are designed with close fit tolerances and the keys you duplicate are often themselves copies; functional but just barely so. The more accurate your key machine is adjusted, the closer your duplicates will match their originals, resulting in fewer non-functional miscuts!

It is very important to understand that adjusting your machine is not a "one time" procedure. As the cutter on your machine wears down, the machine must be adjusted to compensate. It is good shop practice to **check** your machines' depth adjustment every 2-4 weeks, based upon your store's key cutting volume and readjust as necessary. You will find that re-calibration is seldom needed, but by checking and correcting **BEFORE** customers begin returning miscut keys, you will create a reputation for your store as a "good place" to have keys duplicated.

ADJUSTMENTS

Adjusting for spacing

There is no adjustment for spacing. However, if a key gauge assembly is ever replaced, the key gauge must be fitted to the machine after it has been installed. To do this, first install a pattern key and key blank and align these against the cutter guide and cutter. Then lower the key gauge and file the appropriate finger of the gauge to allow contact with the shoulder of both keys.

Adjust the Carriage Stop

The purpose of the carriage stop is to prevent the cutter from hitting into the right vise jaw. The stop is a nut and bolt and is adjustable. To check the adjustment, raise carriage (without keys in vise jaws) and rotate the cutter by hand. The cutter should not contact the vise jaw. When the carriage stop is properly adjusted, there should be a space of .008" between the vise jaw and the cutter (this is about the thickness of an ordinary business card). Do not allow a greater distance since this may affect the depth of cut.

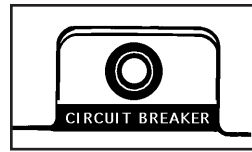
Cleaning

Your machine should be kept clean of all filings and dust. The most critical areas are the carriage jaws and shafts. A one inch paint brush is ideal to brush these areas of the machine. The shafts should be wiped periodically with a lightly oiled cloth. We suggest brushing the jaws often as even a single filing can alter the accuracy of the machine.

Lubrication Intervals

Lubricating of moving parts is important. An oil cup is provided to keep the cutter shaft bearings well lubricated (5-7 drops of 3-in-1 or lightweight spindle oil in the oil cup is sufficient.) The carriage spindle should be lubricated with a thin film of oil and wiped free of chip build up. The lubrication procedures should be performed every 2-3 weeks depending on usage. The motor required lubrication on an annual basis. See motor label for details.

Circuit Breaker



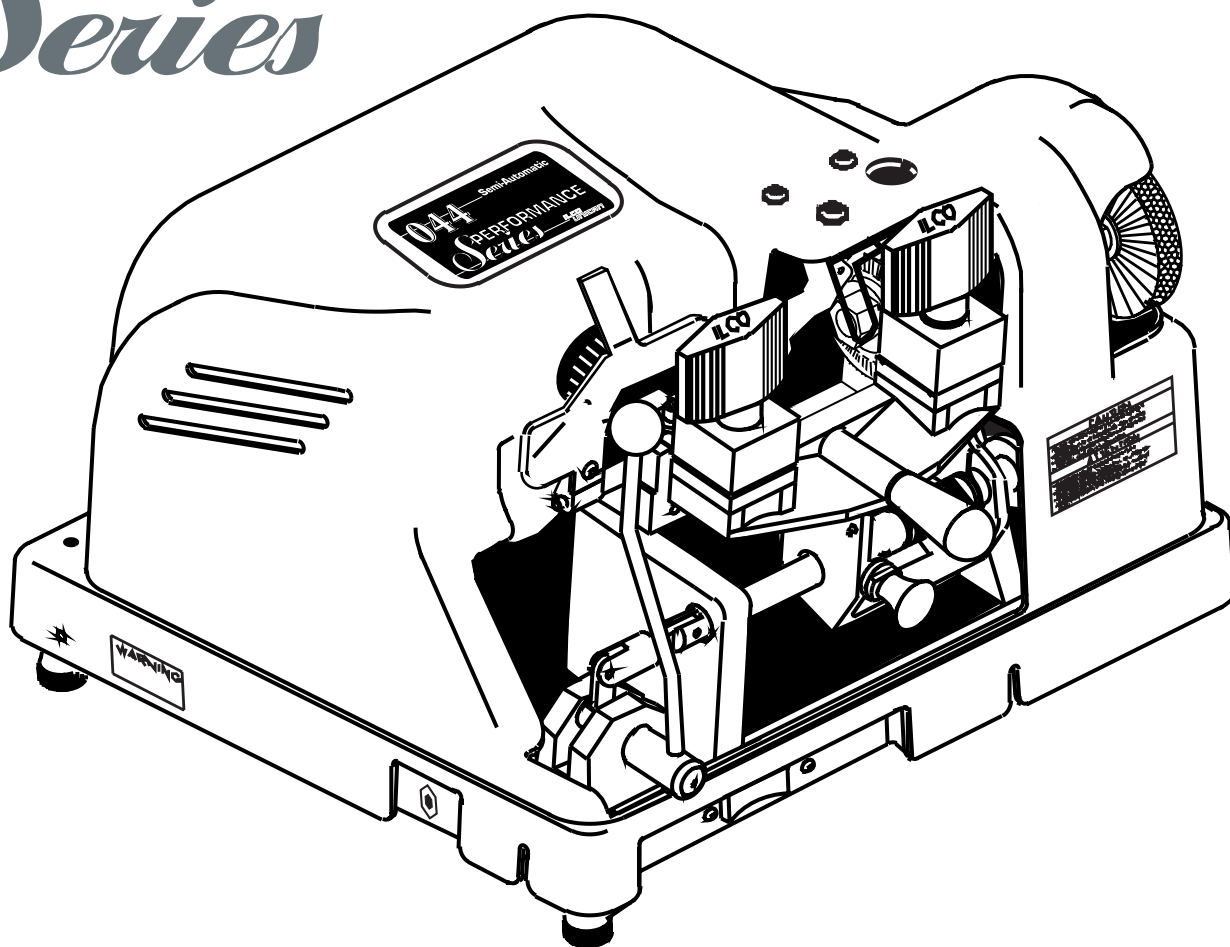
To protect against machine damage in the unlikely event the unit jams while duplicating a key, you 044 is equipped with a circuit breaker. Should it activate, turn the power switch to the off position, pull the carriage back to the "load" position, and press the circuit breaker button in to reset. At this point the machine will run once the power switch is again placed in the "on" position. Repeat the cutting procedure to complete the unfinished duplicate.

MANUEL D'UTILISATION

IMPORTANT : Veuillez lire ces instructions avant d'utiliser votre nouvelle machine à tailler les clés no 044. Assurez-vous de suivre toutes les recommandations de sécurité!

Reportez-vous à la page 16 pour consulter ces consignes.

PERFORMANCE
Series



Ce manuel concerne expressément la machine à tailler les clés n° 044 de la série Performance. Votre modèle y est décrit en détail, ce qui vous permettra de recevoir les pièces appropriées dans l'éventualité où vous auriez besoin de pièces de rechange. Conservez ce manuel en lieu sûr : c'est votre unique exemplaire. En cas de transfert de la propriété de la machine, celle-ci doit être accompagnée de ce manuel d'utilisation.

Lorsque vous souhaitez obtenir de l'information sur les pièces de rechange pour cette machine, mentionnez le modèle 044 et le numéro de la pièce désirée (reportez-vous aux pages 6 à 8). Veuillez noter que beaucoup de pièces ne sont pas interchangeables avec celles d'autres machines d'KABA ILCO.

TABLE DES MATIÈRES

Garantie	16
Consignes de sécurité	17
Introduction / Déballage	18
Pièces de la machine (illustration)	19
Identification des pièces de la machine (noms et numéros des pièces)	19
Vue éclatée	20
Liste des pièces de la vue éclatée / Déballage / Clés d'essai	22
Reproduction de clés	23
Taillage / Remplacement de la fraise	26
Réglages	27

GARANTIE LIMITÉE D'UN AN

La société KABA ILCO garantit au premier acheteur de toute machine neuve de modèle 044 qu'elle réparera ou remplacera, à son gré, toute pièce de toute machine qui, selon son appréciation raisonnable, comporte des défauts dus à des vices de fabrication de la machine ou causés par des matériaux ou des composants défectueux, et ce, durant une période d'un (1) an, calculée à partir de la date d'expédition de la machine par KABA ILCO, et à condition que la machine soit retournée par transport payé d'avance à KABA ILCO ou à son représentant autorisé avant l'expiration de la période de garantie, accompagnée d'une description détaillée du ou des prétendus défauts. KABA ILCO peut, à sa discrétion, choisir de rembourser le prix d'achat attribuable à la pièce affectée ou accorder un crédit si le prix demeure impayé.

La société KABA ILCO vend des machines fabriquées avec précision. L'acheteur assume tous les risques et KABA ILCO ne doit en aucune façon être tenue responsable si la machine a subi une installation inadéquate, un usage incorrect, un entretien inapproprié, de la négligence, ou si une quelconque modification ou transformation non autorisée a été effectuée sur la machine, ou encore en cas d'accident. Pour plus de certitude, toute machine qui n'est pas utilisée conformément aux instructions imprimées d'KABA ILCO ou qui est utilisée au-delà de sa capacité nominale ne sera pas couverte par cette garantie ni par aucune autre.

Toutes et chacune des garanties prévues par

KABA ILCO pour toute machine, produit ou composant de ceux-ci seront applicables seulement si et aussi longtemps que l'acheteur respecte tous ses engagements de paiement suite à la confirmation de réception et d'exécution de la commande de l'acheteur. Le non-respect de ces engagements de paiement rendra nulles et sans effet toutes les garanties et ne prolongera pas la période de temps pendant laquelle la machine, le produit ou le composant de ceux-ci sont garantis, indépendamment du fait que le paiement soit finalement effectué ou non.

Ces garanties sont en remplacement, et non en ajout, de toute autre garantie ou condition, expresse ou implicite, incluant, mais sans s'y limiter, la qualité marchande, l'adaptation à un usage particulier ou les vices cachés. L'acheteur dégage KABA ILCO de toute responsabilité pour tout motif autre que l'observation de ses garanties en vertu du présent document.

La responsabilité d'KABA ILCO n'excédera en aucun cas, y compris pour négligence, le prix d'achat de la machine défectueuse, tout comme KABA ILCO ne sera responsable d'aucune lésion corporelle, dommage aux biens ou dommage indirect.

Employez uniquement des pièces de rechange d'origine d'KABA ILCO pour cette machine!

Numéro de série : _____

IMPORTANT : Veuillez lire ces consignes attentivement avant d'utiliser la machine.

- La sécurité commence par l'éducation et se poursuit avec une utilisation correcte des appareils. Tous les employés qui utilisent cette machine doivent lire le manuel d'utilisation fourni car il contient des

explications pour la faire fonctionner correctement. Ainsi, les probabilités d'accidents et de taillages défectueux seront grandement réduites.

Sécurité générale

- Afin de réduire les possibilités de blessures aux yeux, il est nécessaire de porter des lunettes de sécurité lorsqu'on utilise l'équipement pour tailler les clés ou que l'on se trouve à proximité de celui-ci.
- Mettez toujours la machine hors tension avant d'effectuer des réglages et d'insérer ou d'enlever des clés.
- La machine doit être placée dans une zone qui n'est accessible qu'aux opérateurs autorisés. Son emplacement doit être choisi de manière à ce que les clients et les autres employés ne puissent s'exposer à des éventuelles blessures causées par des « copeaux projetés ».
- N'annulez pas les dispositifs de sécurité incorporés dans la machine. Il devrait être formellement interdit d'enlever ou de modifier les écrans protecteurs, les capots de protection de la fraise et les autres dispositifs de sécurité.
- Il ne faut jamais toucher les pièces à commande mécanique de la machine lorsque celle-ci est en train de fonctionner. L'opérateur doit veiller à ce que, entre autres, les vêtements amples et les cheveux longs demeurent éloignés de la zone de fonctionnement de la machine.
- Cette machine a été spécialement conçue et fabriquée pour la seule fonction de tailler des clés et elle doit être manoeuvrée conformément au manuel d'utilisation. Tous les autres usages sont fortement déconseillés, car potentiellement dangereux, et ne doivent pas être essayés! De tels usages auront pour effet d'annuler immédiatement la garantie de la machine.
- Certains États ou provinces prévoient un âge limite spécifique pour l'utilisation de certains types d'équipement. Consultez la réglementation locale et celle de l'État ou de la province afin de respecter les mesures établies.

Sécurité électrique

- (Modèles de 115 volts). Cette machine a été conçue pour fonctionner avec un courant électrique de 120 volts C.A. à 60 Hz. Elle est munie d'une fiche d'alimentation à trois broches qui doit être placée uniquement dans une prise de courant à trois alvéoles correctement mise à la terre. N'annulez pas le dispositif de sécurité de la fiche en la modifiant ou en l'utilisant avec des prises non mises à la terre!
- Afin de réduire le risque de feu ou de choc électrique, ne placez pas la machine dans des endroits humides ou mouillés et ne la faites pas fonctionner dans ces conditions.
- Les problèmes électriques doivent être soumis à des techniciens en réparations qualifiés. Si la machine se trouve sous garantie, veuillez contacter KABA ILCO à l'adresse imprimée sur la couverture. (KABA ILCO offre également un service de réparation pour les machines hors garantie. Veuillez communiquer avec KABA ILCO pour obtenir plus de renseignements).
- Débranchez toujours la machine avant d'enlever le capot ou de changer la molette coupante.

Instructions pour la mise à la terre

- En cas de fonctionnement défectueux ou de panne, la mise à la terre fournit un trajet de moindre résistance au courant électrique afin de réduire le risque de choc électrique. Cette machine est munie d'un cordon électrique comportant un conducteur de mise à la terre de l'équipement et une fiche de mise à la terre. La fiche doit être branchée sur une prise pour machine correctement installée et mise à la terre conformément aux codes et aux règlements locaux.
- Ne modifiez pas la fiche fournie. Si elle n'entre pas dans la prise, faites installer une prise adéquate par un électricien qualifié.
- Une connexion inadéquate du conducteur de mise à la terre de l'équipement peut créer un risque de choc électrique. Le conducteur avec une enveloppe isolante et une surface extérieure verte (avec ou sans des rayures jaunes) est le conducteur de mise à la terre de l'équipement. S'il s'avérait nécessaire de réparer ou de remplacer le cordon électrique ou la fiche d'alimentation, ne connectez pas le conducteur de mise à la terre de l'équipement à une borne sous tension.
- Consultez un électricien qualifié ou du personnel de service si les instructions pour la mise à la terre ne sont pas complètement comprises ou en cas de doute concernant la mise à la terre adéquate de la machine.
- Employez uniquement des rallonges électriques trifilaires munies de fiches de mise à la terre à trois broches et de prises de courant tripolaires qui acceptent la fiche de la machine.
- Réparez ou remplacez immédiatement les cordons électriques endommagés ou usés.

INTRODUCTION / DÉBALLAGE

Félicitations!

Vous avez acquis une machine à tailler les clés de qualité supérieure.

La machine à tailler les clés manuelle du modèle 044 de la série Performance que vous venez d'acquérir intègre dans sa conception les dernières améliorations pour ce type de machines à tailler les clés.

Grâce à sa fonction semi-automatique, le modèle 044 fournit lui-même le degré de pression approprié contre le chariot au cours du processus de reproduction de clé et les mouvements du chariot pendant le traçage sont contrôlés par un simple

levier! Conclusion : le modèle 044 reproduit les clés de manière plus précise et plus rapide. Ces qualités sont particulièrement cruciales si des employés différents utilisent la même machine dans une journée.

Précis, tout en étant facile à manœuvrer et à entretenir, le modèle 044 offre un excellent rendement à un prix avantageux!

Instructions de déballage

Votre machine à tailler les clés de modèle 044 vous a été expédiée dans un contenant robuste et spécialement rembourré pour éviter les possibilités de dommages pendant la manutention et le transport. Une fois la machine sortie de sa boîte en carton, elle doit être installée sur un établi placé à l'horizontale et nettoyée avec un chiffon pour enlever toute l'huile antirouille. Bien que la machine ait été réglée en usine

et qu'on y ait taillé des clés d'essai, nous vous recommandons de vérifier les réglages pour vous assurer qu'il ne s'est pas produit de glissement ou de déplacement pendant le transport (reportez-vous à la section « Réglage de la profondeur de l'encoche » à la page 13).

Sécurité

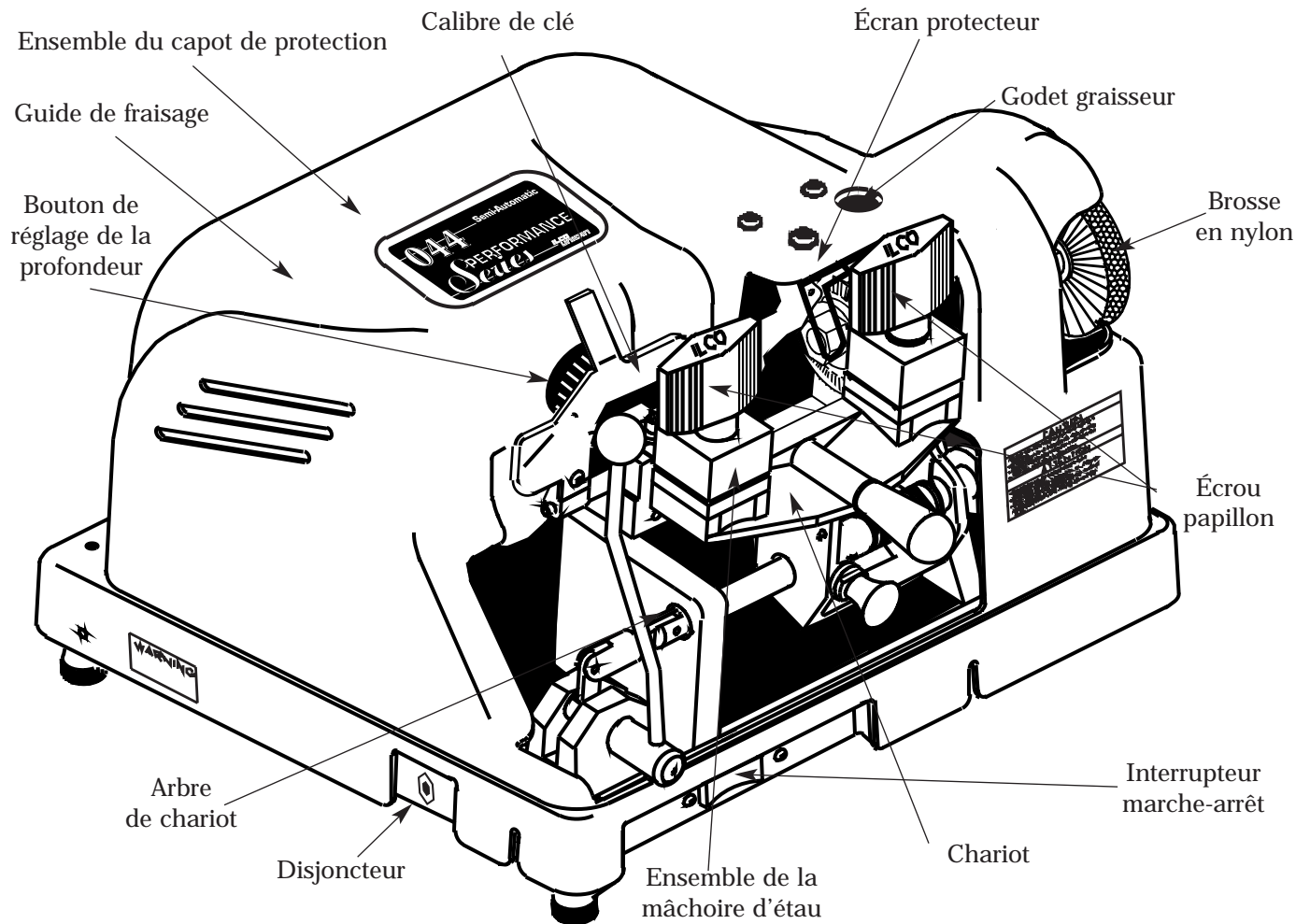
Le modèle 044 a été mis au point pour permettre de reproduire des clés plates (clés de sûreté). Il n'est pas destiné ni n'a été conçu pour aucun autre usage. L'opérateur de la machine assume l'entière responsabilité lorsqu'il utilise cette machine de manière incompatible avec le but déclaré ayant présidé à sa conception. Reportez-vous à la page 3 pour connaître la totalité des consignes de sécurité avant de faire fonctionner la machine.

KABA ILCO **conseille fortement** de porter des lunettes de protection ou des lunettes étanches lorsqu'on manœuvre cette machine ou si l'on se trouve à proximité pendant qu'elle fonctionne. Les lunettes protectrices évitent des blessures! De plus, il faut arrêter la machine avant de placer ou d'enlever des clés.

Lorsque la machine à tailler les clés est en train de fonctionner, il faut veiller à ne pas toucher la mâchoire de l'étau ni le chariot avec la molette coupante, car cela endommagera la fraise, la mâchoire ou le chariot.

ATTENTION! NE DÉTRUISEZ PAS ET NE JETEZ PAS CET EMBALLAGE D'EXPÉDITION SPÉCIAL. ENTREPOSEZ-LE SOIGNEUSEMENT EN LIEU SÛR. CET EMBALLAGE DOIT ÊTRE UTILISÉ LORSQUE LA MACHINE EST DÉPLACÉE OU EXPÉDIÉE.

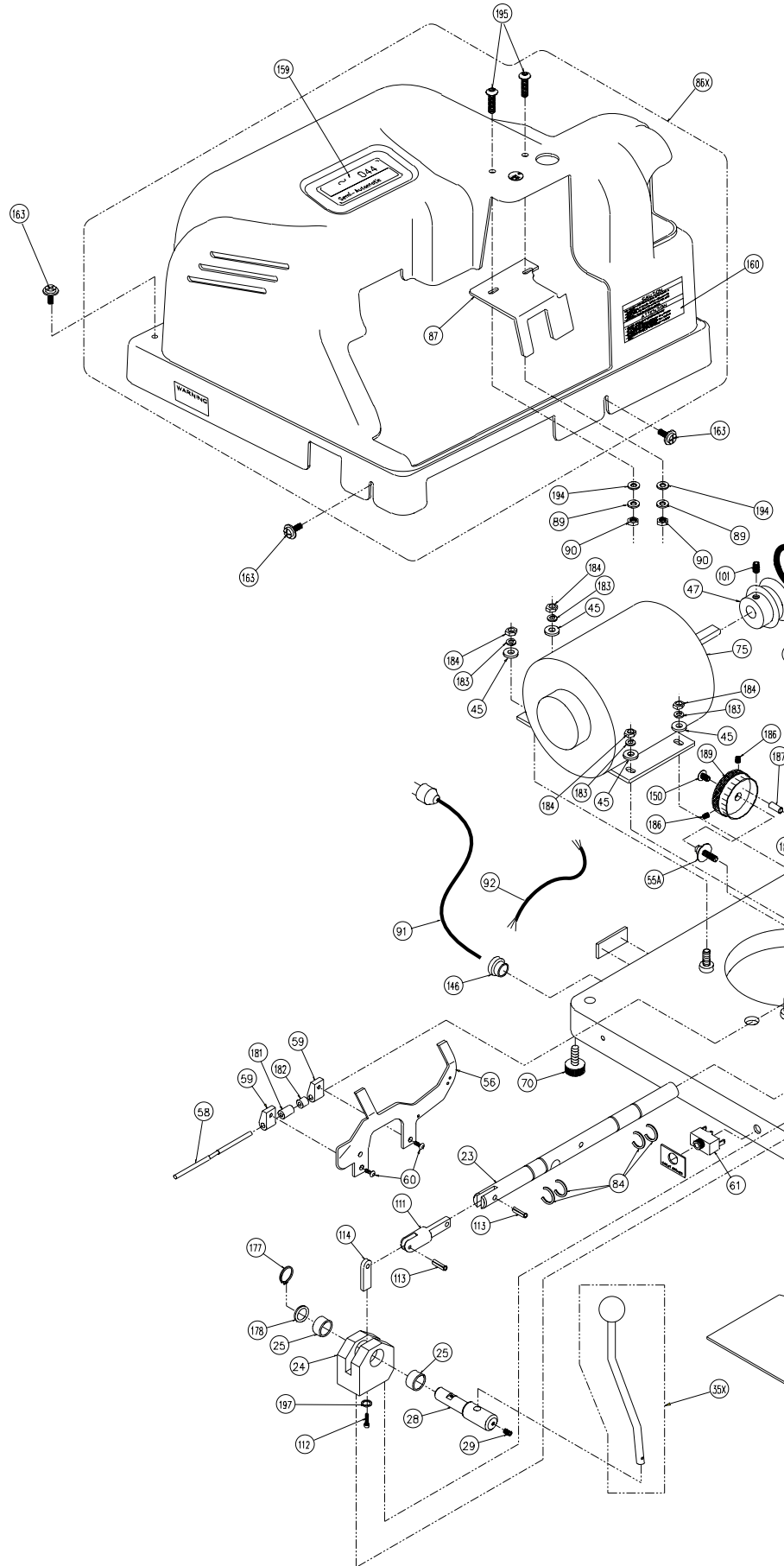
PIÈCES DE LA MACHINE

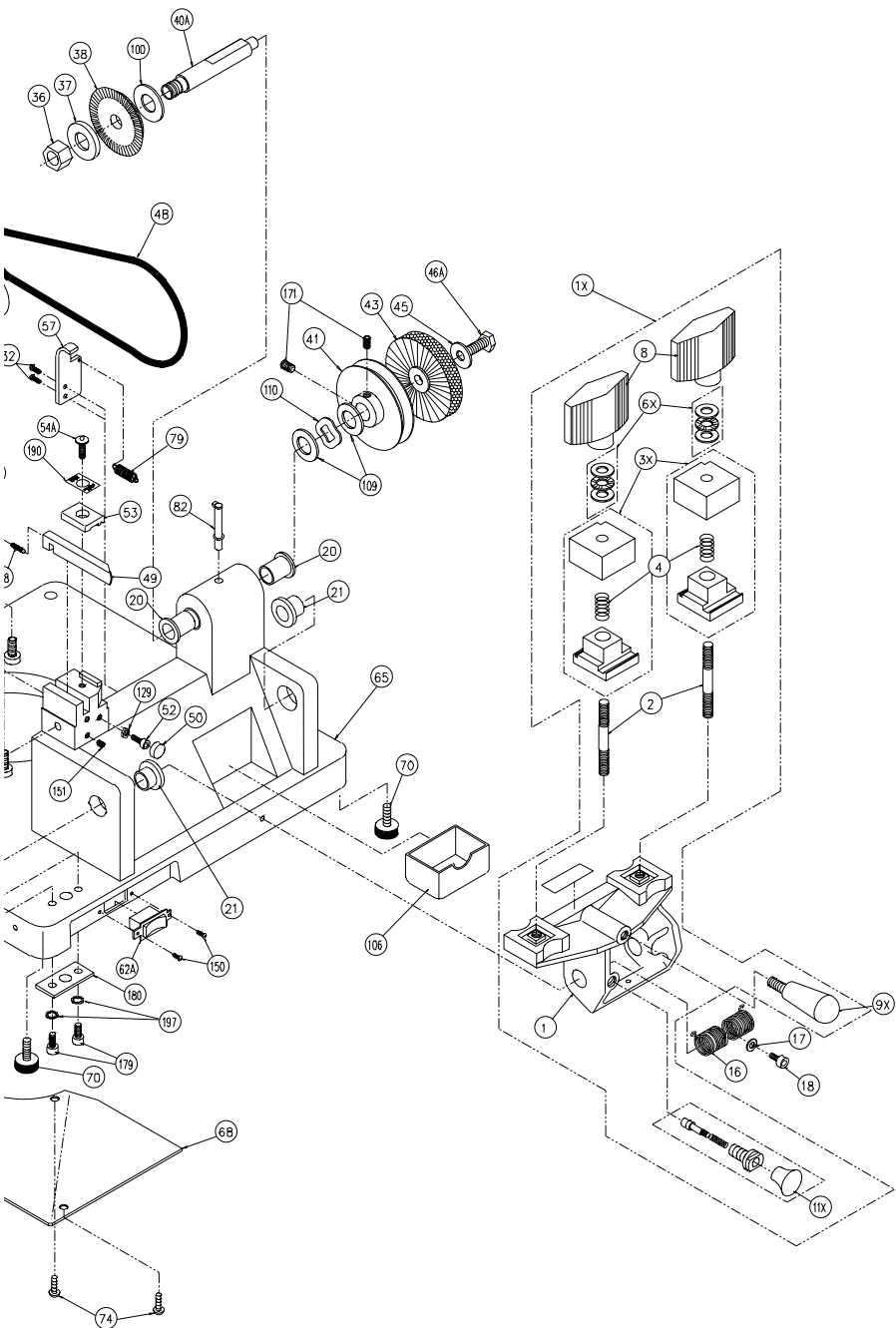


Identification des pièces de la machine

N° de pièce	Identification
024B-1	Chariot
025-3X	Ensemble de la mâchoire d'étau
025-8	Écrou papillon
040-9X	Manette de chariot
040-11X	Gâchette
044-35X	Levier de chariot
CU20	Fraise CU20
814-00-51	Brosse en nylon
044-49A	Guide de fraisage (pointe traceuse)
040-56	Calibre de clé
025-61	Disjoncteur
025-62A	Interrupteur marche-arrêt
025-82	Godet graisseur
044-86X	Ensemble du capot de protection
045-87	Écran protecteur

VUE ÉCLATÉE





LISTE DES PIÈCES DE LA VUE ÉCLATÉE

Veillez vous référer aux illustrations des pages 6 et 7.

Réf.	N° de pièce	Description	Réf.	N° de pièce	Description
1	024B-1	Chariot	70	040-70	Support de caoutchouc
1X	024B-1X	Ensemble du chariot	74	040-74	Vis à tête bombée, 8-32
2	025-2	Goujon de chariot	75	040-75	Moteur, ¼ CV, 115 V
3X	025-3X	Ensemble de la mâchoire d'étau	79	024B-79	Ressort de calibre de clé
4	025-4	Ressort de mâchoire d'étau	82	025-82	Godet graisseur
6X	025-6X	Jeu de paliers de butée	84	024B-84	Attache
8	025-8	Écrou papillon	86X	044-86X	Ensemble du capot
9X	040-9X	Manette de chariot			de protection
11X	040-11X	Gâchette	87	045-87	Écran protecteur
16	040-13	Ressort de torsion de chariot	89	045-89	Rondelle d'arrêt n° 10
17	024-17	Rondelle	90	025-90	Écrou, n° 10-32
18	024-18	Vis, 10-32 x 1/2"	91	024B-91	Cordon d'alimentation
20	025-20	Bague d'arbre de fraise	92	024B-92	Câble de moteur trifilaire
21	025-21	Bague d'arbre de chariot	100	024B-100	Entretoise de fraise, droite
23	024B-23	Arbre de chariot	101	025-101	Vis de fixation de poulie de moteur
24	024B-24	Vis, 10-32 x 1/2"	106	040-106	Bac à copeaux
25	024B-25	Bague d'arbre de pignon	109	025-109	Rondelle de butée
28A	024B-28	Arbre de pignon	110	025-110	Rondelle ondulée
29A	024B-29	Vis de fixation, 1/4-20 x 5/16"	111	024B-111	Fourche
32	024B-32	Vis à tête ronde, 10-24 x 3/8"	112	024B-112	Vis à pans creux 10-32 x 3/4"
35X	044-35X	Levier de chariot	113	024B-113	Goupille cylindrique
36	025-36	Écrou de fraise, N-4	114	024B-114	Bras de torsion
37	025-37	Entretoise de fraise	129	040-129	Écrou de blocage (8-32)
38	P-X23MC	Fraise P-X23MC	146	040-146	Collier de cordon d'alimentation
40A	025-40A	Arbre de fraise	150	040-150	Vis d'interrupteur (6-32 x 1/4")
41	025-41	Poulie d'arbre de fraise	151	040-151	Vis de fixation (8-32 x 3/8")
43	814-00-51	Brosse en nylon	160	025-160	Étiquette d'avertissement
45	025-45	Rondelle de boulon de brosse, 5/16"	163	045-163	Vis de capot
46A	025-46A	Vis à tête hexagonale, 5/16"-18 x 3/4"	171	025-171	Vis de fixation de poulie
47	025-47	Poulie de moteur 2" - 3 L			de fraise, 5/16" - 18 x 1/4"
48	025-48	Courroie trapézoïdale, 3 L-180	177	024B-177	Anneau d'arrêt ext.
49	044-49	Guide de fraisage (pointe traceuse)	178	024B-178	Rondelle
50	040-50	Butée d'arrêt de chariot	179	024B-179	SCHS 10-32 x 3/4"
52	040-52	Vis à pans creux 8-32 x 1- 1/2"	180	024B-180	Plaque de montage
53	045-53A	Rondelle de serrage du guide de fraisage	181	024B-181	Entretoise de calibre de clé - Gauche
54	045-54	Vis de pression du guide de fraisage	182	024B-182	Entretoise de calibre de clé - Droite
			183	040-183	Rondelle d'arrêt 1/4-20
55	044-55	Vis de réglage	184	040-184	Écrou hexagonal 1/4-20
56	040-56	Calibre de clé	186	045-186	Vis de fixation 6-32 x 3/8"
57	024B-57	Support de calibre de clé	187	045-187	Goupille de positionnement
58	024B-58	Goupille de positionnement du calibre de clé	188	045-188	Ressort de goupille de positionnement
			189	045-189	Bouton de réglage
59	025-59	Logement de calibre de clé	190	045-190	Étiquette du guide de fraisage
60	025-60	Vis à chapeau, 8-32 x 1/2"	194	045-194	Rondelle plate n° 10
61	025-61	Disjoncteur, ETA 1658	195	045-195	Vis à tête ronde 10-32 x 1/2"
62A	025-62A	Interrupteur marche-arrêt	197	044-197	Rondelle de blocage à collerette montante
65	044-65	Socle usiné			
68	040-68	Capuchon électrique	IM	044-IM	Manuel d'utilisation

Installation des manettes

La machine à tailler les clés 044 est expédiée entièrement assemblée, sauf pour la manette du chariot et la poignée de levier. Déballez la machine, trouvez la manette du chariot et vissez-la sur celui-ci, dans la zone située directement au-dessus de la gâchette. Puis, coupez la bande de nylon maintenant le chariot en place et insérez l'extrémité inférieure de la poignée de levier dans le trou de l'arbre de pignon (situé à l'avant de la machine du côté gauche). Serrez le vis de fixation à l'avant de l'arbre de pignon pour installer la poignée de levier. Reportez-vous à la page 5 si vous n'êtes pas sûr de l'endroit où doivent être installées la manette et la poignée.

Clés d'essai

Cette machine vient avec une série de clés d'essai. Ces clés ont été taillées sur la machine et représentent le résultat du travail effectué par nos inspecteurs de la qualité avant d'approuver l'expédition de la machine. Ces clés sont des reproductions de clés modèles dimensionnées en usine et leur précision est de 0,002" ou moins. Conservez ces clés et employez-les comme étalons de mesure pour vérifier la précision des encoches dans les clés que vous taillez. Lorsque vous reproduisez une clé et que vous employez par la suite un micromètre à clé ou un calibre d'épaisseur pour comparer la profondeur réelle des encoches de la clé reproduite avec la profondeur des encoches de la clé modèle, vous pourrez constater si votre machine taille avec une profondeur excessive ou insuffisante, ce qui indique qu'un réglage du guide de fraisage est nécessaire.

Techniques appropriées pour le taillage de clés

Bien que votre machine n° 044 ait été conçue pour tailler les clés de manière rapide, efficace et précise, l'habileté de l'opérateur est un élément très important. Si l'opération consistant à placer des clés dans les mâchoires de l'étau est en soi facile à apprendre, il faut néanmoins suivre certains principes de base. En effet, une machine à tailler les clés réglée correctement, mais qui est utilisée par quelqu'un qui ne connaît pas les techniques appropriées pour tailler les clés, NE produira PAS une clé adéquate. La manière de fixer la clé dans les mâchoires de l'étau est une opération cruciale pour la précision de la clé reproduite.

Rappelez-vous que le but ultime d'une copie de clé est d'actionner la serrure pour laquelle elle est destinée. Si les clients rapportent les clés, vous devriez réévaluer vos techniques de taillage et procéder au réglage de la machine.

Voici quelques conseils d'utilisation importants :

1. Nettoyez régulièrement les mâchoires de l'étau de sorte qu'il n'y ait pas de copeaux de métal sous les clés. **Il est essentiel que les deux clés reposent à plat sur toute la largeur de chaque mâchoire de l'étau. Aucune des clés ne doit être inclinée.**
2. N'utilisez PAS de pince ni aucun autre outil pour serrer les mâchoires de l'étau. Une pression ferme exercée avec la main est suffisante.
3. Prenez soin d'enlever les copeaux de métal sur l'arbre du chariot. Vous pouvez appliquer sur celui-ci une pellicule mince d'huile. Le chariot doit pouvoir bouger librement sans blocage.
4. Ne placez JAMAIS la languette d'une clé en contact avec le côté du guide de fraisage. De cette façon, la languette de la clé brute toucherait le côté de la molette coupante. Lorsque cela se produit, un peu de métal est enlevé de la languette de la clé brute. Si la copie de clé obtenue est reproduite deux, trois ou quatre fois de suite, une erreur s'accumulera et il en résultera une clé non fonctionnelle. Ne rectifiez pas la languette.
5. Ne heurtez pas la mâchoire de l'étau avec la fraise, car cela émoussera la fraise et réduira son efficacité.
6. Gardez la fraise propre. Ne laissez pas des corps étrangers ou des outils l'émousser. Cette fraise est un outil de coupe de précision et elle doit être manipulée avec précaution.
7. La lubrification des pièces mobiles est importante. La machine est munie d'un godet graisseur pour maintenir les paliers de l'arbre de la fraise bien lubrifiés (il suffit de verser dans le godet graisseur de 5 à 7 gouttes d'huile « 3 en 1 » ou d'huile à broche légère). L'arbre du chariot doit être lubrifié avec une mince pellicule d'huile et nettoyé avec un chiffon pour enlever les copeaux accumulés. Les opérations de lubrification doivent être effectuées toutes les 2 ou 3 semaines, selon l'utilisation de la machine. Le moteur nécessite une lubrification annuelle. Consultez l'étiquette du moteur pour plus de renseignements.

REPRODUCTION DE CLÉS

Méthode générale de reproduction de clés

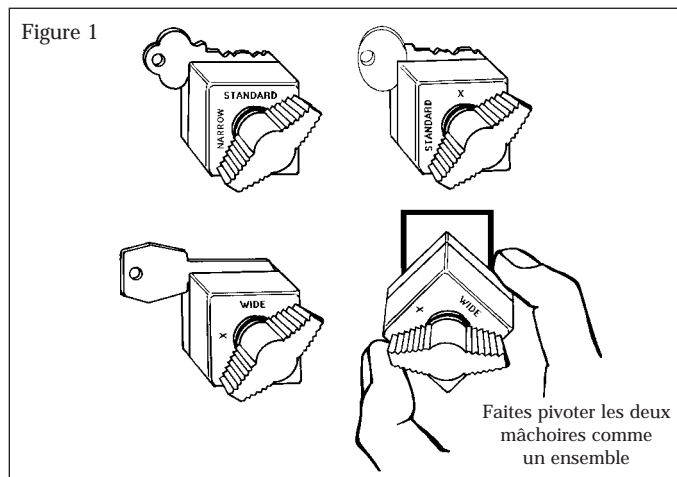
MISE EN GARDE : Installez ou enlevez des clés seulement lorsque l'interrupteur marche-arrêt se trouve dans la position d'ARRÊT! Portez toujours des lunettes de protection en manœuvrant cette machine!

Pour reproduire correctement une clé, les opérateurs de la machine effectuent les quatre opérations suivantes :

1. Sélection de la clé brute appropriée. Comparaison de la tête, de la longueur et de la section transversale (largeur, angle et emplacement des rainures) de la clé brute avec les mêmes éléments de la clé à reproduire, afin de s'assurer que la correspondance est adéquate.
2. Vérification des deux mâchoires de l'étau à quatre côtés pour s'assurer qu'elles ont été placées dans la position convenant au type de clé à reproduire. Reportez-vous à la section de ce manuel intitulée « Utilisation des mâchoires de l'étau à quatre côtés ».
3. Alignement correct de la clé modèle et de la clé brute dans les mâchoires de l'étau. Reportez-vous à la section « Alignement des clés dans les mâchoires de l'étau ».
4. Reproduction proprement dite de la clé modèle, ce qui ne peut être réalisé correctement que lorsque les opérations antérieures ont été effectuées.

Utilisation des mâchoires de l'étau à quatre côtés

La machine no 044 est équipée de mâchoires d'étau polyvalentes à quatre côtés Super Jaw 2 d'KABA ILCO. Elles comportent quatre surfaces de serrage différentes qui permettent de fixer pratiquement n'importe quelle clé plate habituelle (voyez la figure 1).



Utilisation des mâchoires d'étau à quatre côtés (suite)

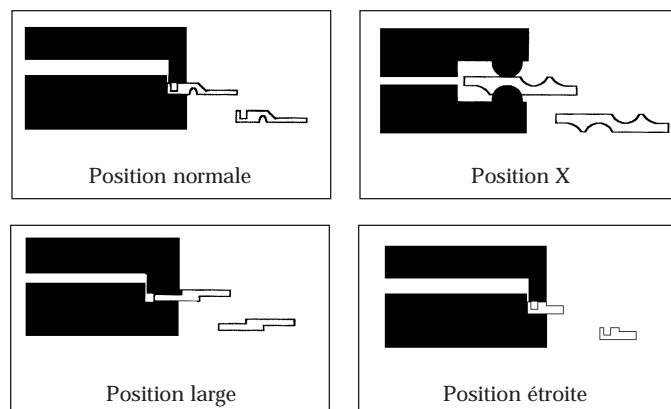
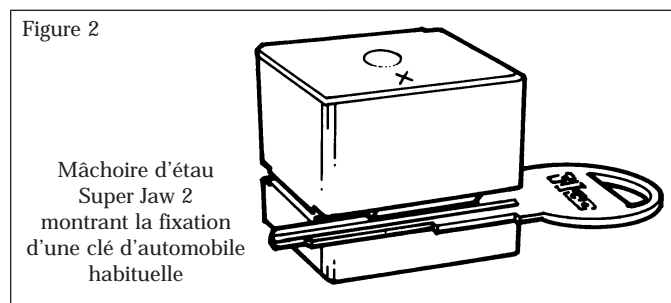
Pour obtenir la meilleure prise possible, il faut s'assurer de sélectionner la position de la mâchoire d'étau appropriée pour chacune des clés à reproduire. Les positions de l'étau sont expliquées ci-dessous et leur utilisation correcte est montrée à la figure 2.

Normale : Pour retenir des clés plates ordinaires, comme des clés de maison, des clés d'automobile à simple face, des clés de cadenas, avec une ou deux languettes.

Étroite : Pour retenir la clé 1092B et d'autres clés étroites.

Large : Pour retenir les clés Ford à double face et des types de clés similaires, aussi bien des clés principales que secondaires. Pour positionner la clé dans les mâchoires de l'étau, placez la clé de manière à ce que son rebord central repose à plat contre la surface supérieure de la mâchoire.

X : Idéale pour retenir la plupart des clés courantes à double face utilisées avec la majorité des automobiles actuelles. Fixez ces clés par les rainures plutôt que par le bord de la lame où se trouvent les encoches (voyez la figure 2).



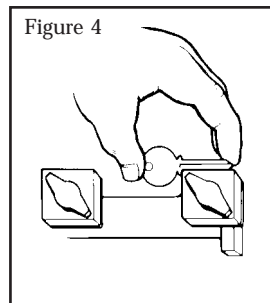
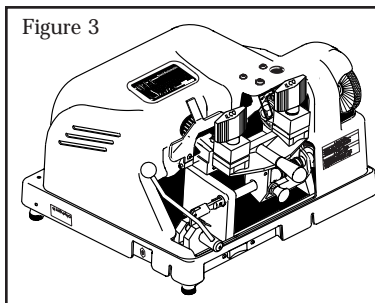
Pour changer la position des mâchoires de l'étau, afin de passer, par exemple, de la position normale à la position large, desserrez d'abord les écrous papillon. Tirez ensuite vers le haut les parties supérieure et inférieure des mâchoires de l'étau, comme s'il s'agissait d'une seule unité, pour les élever au-dessus de leur support dans le chariot. Faites pivoter les mâchoires jusqu'à ce que la position désirée soit face à l'arrière de la machine et baissez de nouveau les mâchoires jusqu'à ce qu'elles touchent le chariot. Les deux mâchoires de l'étau, la gauche et la droite, doivent être pivotées jusqu'à la même position.

Alignement des clés dans les mâchoires de l'étau - Clés avec languette

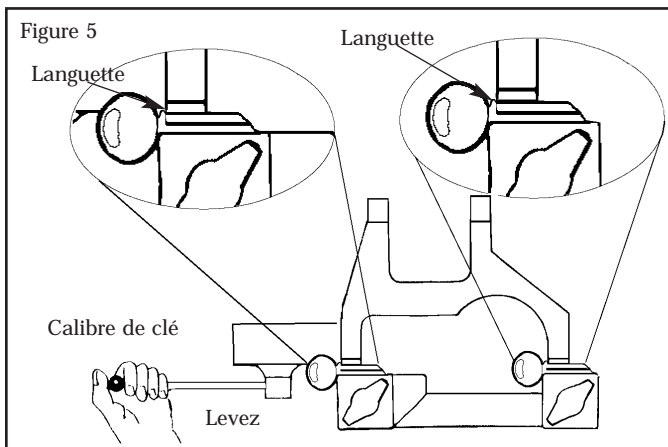
MISE EN GARDE : Installez ou enlevez des clés seulement lorsque l'interrupteur marche-arrêt se trouve dans la position d'arrêt.

Avant de commencer la reproduction, la clé modèle et la clé brute doivent toutes deux être alignées correctement et fixées fermement dans les mâchoires de l'étau. Pour cela, procédez de la manière suivante :

1. Déplacez le levier du chariot vers la gauche, jusqu'en bout de course (Voir Fig.3).



2. Assurez-vous que les deux mâchoires de l'étau sont orientées dans la position adaptée au type de clé à reproduire.
3. Placez la clé brute dans la mâchoire droite de l'étau. Positionnez-la de sorte qu'elle soit parallèle à la partie avant de la mâchoire (Voir Fig. 4). Serrez l'écrou papillon sans forcer.
4. Abaissez le calibre de clé de sorte qu'il vienne en contact avec la lame de la clé brute. Déplacez doucement le levier du chariot dans le sens des aiguilles d'une montre, vers la droite, jusqu'à ce que la languette de la clé brute touche le bord du calibre de clé (Voir Fig.5).
5. Utilisez votre index pour appuyer sur le bord avant de la clé brute, tout en desserrant l'écrou papillon. Après avoir vérifié que la clé brute touche le calibre de clé et qu'elle est correctement placée dans la mâchoire, resserrer fermement.
6. Placez la clé modèle dans la mâchoire gauche en répétant la procédure décrite à l'étape 4.

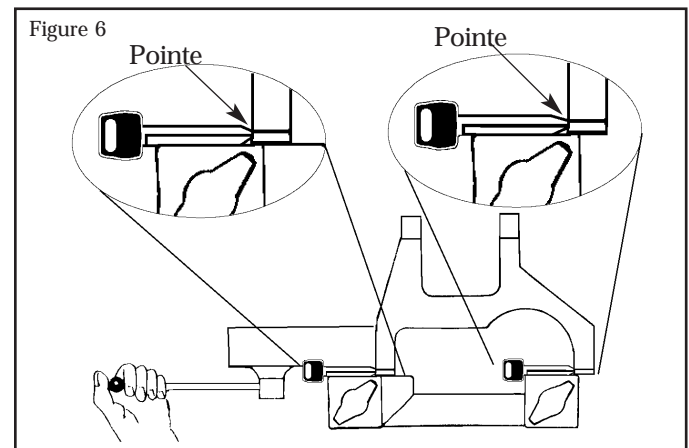


7. Assurez-vous que les languettes de la clé modèle et de la clé brute sont bien ajustées contre le calibre de clé et que les deux clés sont placées à niveau (pas inclinées) dans les mâchoires de l'étau. Remplacez le calibre de clé en position « haute ». La clé est alignée et peut être reproduite.

Alignement des clés dans les mâchoires de l'étau - Clés sans languette

Dans le cas de clés qui, comme la clé Ford à double face, ne comportent pas de languette classique, la pointe de la clé est utilisée comme point d'alignement. Avec ce type de clé, procédez de la manière suivante :

1. Assurez-vous que les deux mâchoires de l'étau sont orientées dans la position adaptée au type de clé à reproduire.
2. Placez la clé brute dans la mâchoire droite. Pour la plupart des clés d'automobile dont la pointe sert de point de calibrage, placez la clé brute de sorte que sa pointe se situe à environ 6,35 mm (1/4 ") à gauche du bord droit des mâchoires. Serrez fermement l'écrou papillon des mâchoires.
3. Déplacez le levier du chariot vers la gauche de sorte que le doigt droit du calibre de clé vienne se placer juste devant la pointe de la clé brute lorsque le calibre est abaissé.
4. Insérez de la même manière la clé modèle dans la mâchoire gauche. Puis, positionnez la clé brute et la clé modèle de façon à ce que leurs pointes viennent directement en contact avec le bord gauche des doigts du calibre de clé (voir figure 6).



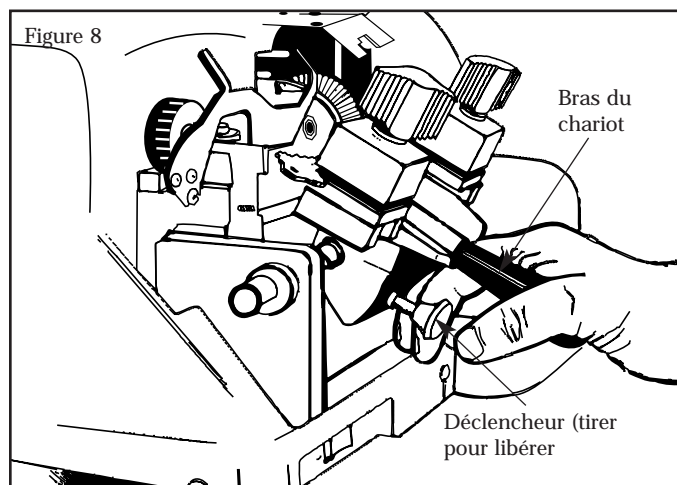
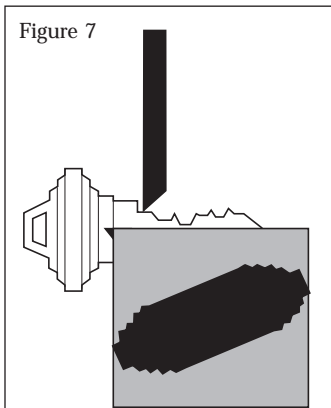
5. Lorsque la clé modèle et la clé brute sont alignées, relevez le calibre de clé en position "haute".
6. Si une clé est taillée de chaque côté, reproduisez-les, l'un après l'autre, en suivant la même procédure d'alignement. Dans le cas des clés Ford et de la plupart des clés à double face européennes et japonaises, seule la clé brute doit être retournée car les encoches sont identiques des deux côtés.
7. Reportez-vous à la page 12 pour des informations complémentaires sur le processus de reproduction de clé.

MARCHES À SUIVRE / REMPLACEMENT DE LA FRAISE

Marches à suivre

ATTENTION: Insérer ou retirer les clés uniquement lorsque l'interrupteur marche-arrêt se trouve en position d'arrêt («OFF»)!

1. Tourner les deux étaux dans la position appropriée pour la clé à reproduire,
2. Insérer une clé brute et la clé-modèle dans les étaux (consulter la section «Alignement des étaux»). S'assurer que les clés sont bien à plat dans les étaux et qu'elles ne sont pas inclinées vers le haut ou vers le bas.
3. Une fois les clés alignées, déplacer le levier du chariot vers la droite jusqu'à ce que le curseur soit placé légèrement à la gauche de l'encoche la plus rapprochée de la tête de la clé-modèle (voir fig. 7).
4. Mettre l'interrupteur marche-arrêt en position de marche («ON»).
5. Abaisser le bras du chariot tout en tirant sur le déclencheur (voir fig. 8). Le chariot pourra ensuite être



remonté en position de coupe. Il faut se rappeler que l'on obtient les meilleurs résultats lorsque le contact initial du curseur se fait légèrement à la gauche de l'encoche la plus rapprochée de la tête de la clé-modèle. S'assurer que la fraise ne puisse toucher à l'épaulement de la clé brute.

6. C'est le levier de chariot qui commande le déplacement du chariot. En y allant d'un mouvement lent à modéré, déplacer doucement le levier du chariot vers la gauche. Éviter les mouvements brusques et incontrôlés! Une fois que la fraise est à égalité de la pointe de la clé, déplacer le chariot vers la droite à l'aide du levier. Il s'effectuera alors une deuxième passe sur la clé brute. ARRÊTER avant que la fraise n'entre en contact avec l'épaulement de la clé brute.

7. Mettre l'interrupteur marche-arrêt en position arrêt («OFF») et retirer la clé reproduite en abaissant le levier du chariot jusqu'à ce que le déclencheur s'enclenche. Desserrer ensuite l'écroude serrage et enlever la clé reproduite.
8. Pour ébavurer la clé, mettre la machine en marche et appuyer légèrement la clé reproduite contre la brosse rotative à ébavurer.

Remplacement de la fraise

La fraise CU20 utilisée sur cette machine a un diamètre de 2 1/4 po (56mm), une épaisseur de 1/4 po (6,2mm) et un trou de 1/2 po (12,5 mm). C'est une fraise fabriquée en acier rapide. Son côté gauche plat permet d'exécuter des encoches profondes comme lorsque les encoches se trouvent tout près de l'épaulement (clés Gm, Chicago, etc). La fraise n'est pas garantie. Veuillez l'entretenir correctement et la manipuler avec soin. Ne pas forcer le chariot en le soulevant car la clé brute pourrait venir buter contre la fraise. Ne pas appliquer une forte pression lorsque vous taillez les clés. Enfin, ne pas laisser la fraise toucher à l'étau car ceci rendra la fraise moins coupante.

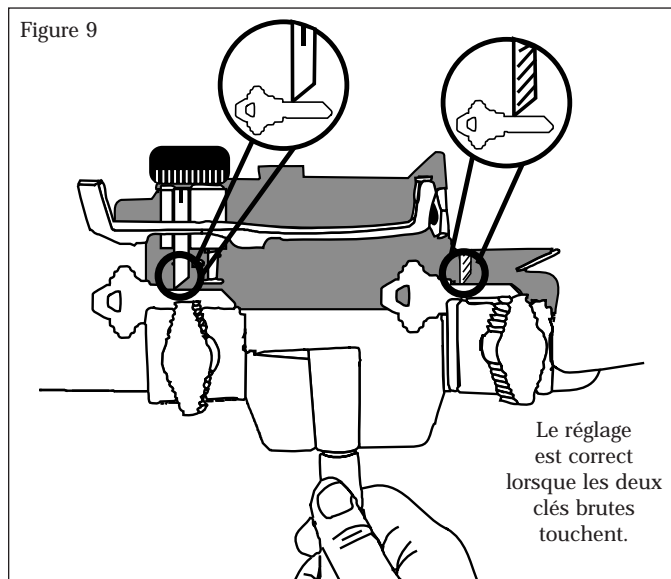
Comme tout autre outil de coupe en métal, la fraise CU20 s'émoussera avec l'usage. Il est nécessaire de changer la fraise lorsque les trois caractéristiques suivantes se présentent:

1. Temps - une fraise émoussée prend plus de temps pour exécuter les encoches.
2. Son - une fraise émoussée émet un son strident lorsqu'elle taille la clé brute.
3. Bavures - une fraise émoussée ne taille pas le métal, mais le fait plutôt rouler, ce qui cause une accumulation de bavures de l'autre côté de la clé. Une fraise bien coupante laisse très peu ou pas de bavures.

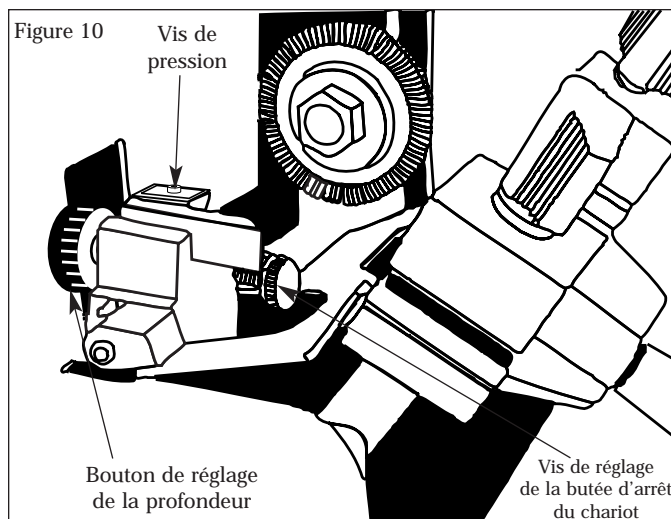
Pour remplacer la fraise, utiliser deux clés à molette; une de 3/4 po (19mm) pour l'écrou de la fraise. Noter que l'écrou de la fraise possède un filetage inversé et que pour le desserrer, il faut le tourner vers le bas. Retirer les entretoises et la fraise émoussée, installer la nouvelle fraise, les entretoises et l'écrou.

Réglage de la profondeur de l'encoche

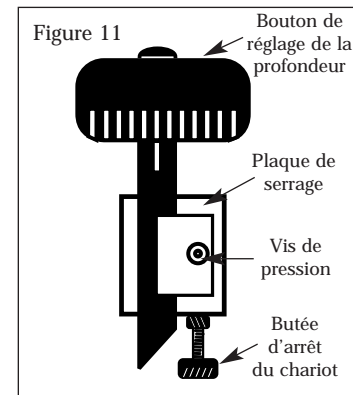
Par mesure de sécurité, DÉBRANCHEZ la machine de la source d'énergie avant de procéder au réglage de la profondeur de l'encoche. Il est essentiel que le guide de fraisage et la fraise se trouvent sur le même plan, c'est-à-dire alignés l'un avec l'autre. Si le guide de fraisage dépasse par rapport à la fraise, les encoches obtenues dans la clé brute seront insuffisamment profondes et la clé reproduite ne fonctionnera pas. De même, si le guide de fraisage se trouve derrière la fraise, les encoches dans la clé seront trop profondes (voyez la figure 9).



Pour vérifier le réglage de la profondeur, insérez deux clés brutes identiques dans les mâchoires de l'étau, en les plaçant à plat dans chaque mâchoire. (Il n'est pas nécessaire d'aligner les clés brutes). Levez ensuite le chariot tout en plaçant la clé brute de gauche contre le guide de fraisage et la clé brute de droite contre la fraise. Tournez la poulie de la machine à la main et observez la clé brute de droite. Lorsque le réglage est correct, la fraise devrait effleurer à peine la clé brute.



Comme aucune fraise n'est parfaitement ronde, il faut faire effectuer un tour complet à la fraise avant de modifier le réglage. La fraise comporte un point haut par rapport auquel le réglage devra être effectué. Si la fraise ne touche pas la clé brute après un tour, modifiez le réglage.



Pour régler le guide de fraisage, desserrez **légèrement** la vis de pression située sur le dessus du guide (voyez les figures 10 et 11). Après avoir desserré cette vis, le bouton de réglage de la profondeur peut être tourné vers la gauche (pour diminuer la profondeur de l'encoche) ou vers la droite (pour augmenter la profondeur de l'encoche). Dans ce cas

également, le réglage correct sera obtenu lorsque la fraise **effleure à peine** la clé brute placée devant elle, alors que le guide de fraisage demeure en contact avec l'autre clé brute. Resserrez la vis de pression lorsque l'opération d'étalonnage est terminée. Vérifiez de nouveau après le serrage pour vous assurer que le réglage n'a pas bougé.

Chaque repère d'étalonnage sur le bouton de réglage de la profondeur équivaut à environ 0,0015" (1/2 millième de pouce). Comme vous pouvez le constater, ce dispositif vous permet d'effectuer un réglage très précis de votre nouvelle machine à tailler les clés. De fait, si vous disposez d'un micromètre à clé ou d'un pied à coulisse à cadran, vous pouvez régler votre machine avec une « précision d'usine ». Pour ce faire, il vous faut simplement reproduire une clé et mesurer les encoches sur la « clé modèle » et sur la clé reproduite pour les comparer. Cela vous indiquera s'il existe un écart, c'est-à-dire si les encoches reproduites sont trop profondes ou bien insuffisamment profondes et quelle est cette différence. Avec ces données, vous pouvez utiliser le bouton de réglage de la profondeur situé sur la machine pour étalonner la machine de manière à obtenir la plus grande précision possible. Cette opération est très importante étant donné que plusieurs serrures sont conçues avec des tolérances serrées et que les clés que vous reproduisez sont souvent elles-mêmes des copies, tout juste fonctionnelles. Plus votre machine sera réglée avec précision, plus vous obtiendrez des copies pareilles aux clés originales, réduisant ainsi les taillages défectueux et non fonctionnels.

Il est très important de comprendre que le réglage de la machine n'est pas une opération « unique ». À mesure que la fraise s'use, la machine doit être réglée pour compenser. C'est une bonne technique d'atelier que de **vérifier** le réglage de la profondeur de la machine toutes les 2 à 4 semaines, selon le volume de clés taillées dans votre commerce, et de modifier le réglage au besoin. Vous constaterez que le réétalonnage est rarement nécessaire, mais si vous procédez à une vérification et effectuez des corrections **AVANT** que les clients vous retournent les clés mal taillées, votre commerce acquerra une réputation de « bon endroit » pour y faire reproduire des clés.

Réglage de l'espacement

Il n'y a pas de réglage pour l'espacement. Néanmoins, si jamais l'ensemble du calibre de clé était remplacé, celui-ci doit être ajusté sur la machine après l'avoir installé. Pour ce faire, insérez d'abord une clé modèle et une clé brute et alignez-les contre le guide de fraisage et la fraise. Baissez ensuite le calibre de clé et limez le doigt approprié du calibre pour permettre un contact avec la languette de chaque clé.

Réglage de la butée d'arrêt du chariot

La fonction de la butée d'arrêt du chariot est d'éviter que la fraise heurte la mâchoire droite de l'étau. Cette butée comporte un écrou et un boulon et elle est réglable. Pour vérifier le réglage, levez le chariot (sans clés dans les mâchoires de l'étau) et faites tourner la fraise à la main. La fraise ne doit pas toucher la mâchoire de l'étau. Lorsque la butée d'arrêt est réglée correctement, il devrait y avoir un espace de 0,008" entre la mâchoire de l'étau et la fraise (soit à peu près la grosseur d'une carte d'affaires ordinaire). Ne laissez pas une distance plus grande puisque cela peut affecter la profondeur des encoches.

Nettoyage

Gardez votre machine propre, sans limaille ni poussière. Les parties les plus importantes sont les mâchoires du chariot et les arbres. Un pinceau de un pouce est idéal pour brosser ces zones. Les arbres doivent être nettoyés régulièrement avec un linge légèrement huilé. Nous conseillons de brosser les mâchoires souvent, puisque même un seul fragment de limaille peut modifier la précision de la machine.

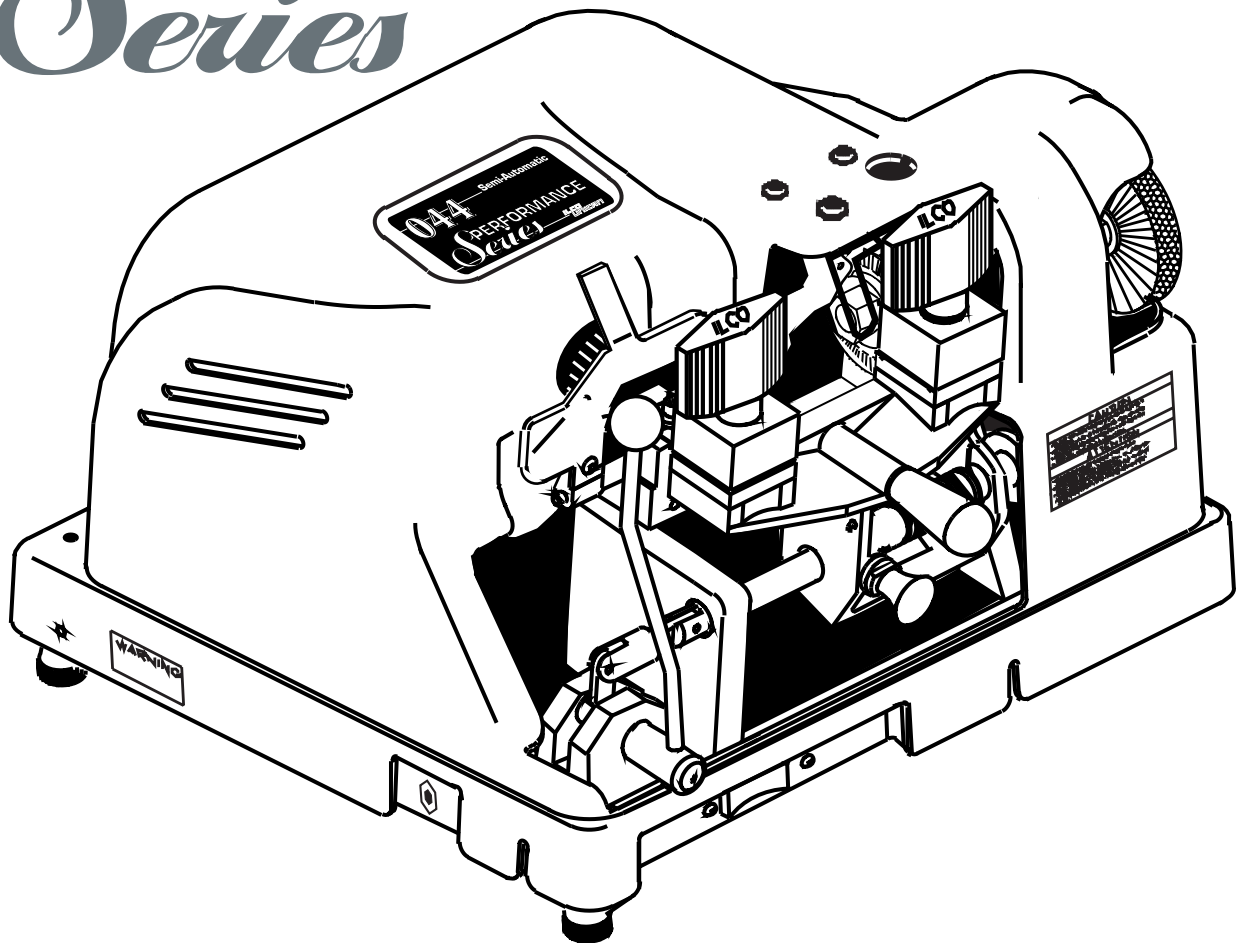
Fréquence de lubrification

La lubrification des pièces mobiles est importante. La machine est munie d'un godet graisseur pour maintenir les paliers de l'arbre de la fraise bien lubrifiés (il suffit de verser dans le godet graisseur de 5 à 7 gouttes d'huile « 3 en 1 » ou d'huile à broche légère). L'arbre du chariot doit être lubrifié avec une mince pellicule d'huile et nettoyé avec un chiffon humide pour enlever les copeaux accumulés. Les opérations de lubrification doivent être effectuées toutes les 2 ou 3 semaines, selon l'utilisation de la machine. Le moteur nécessite une lubrification annuelle. Consultez l'étiquette du moteur pour plus de renseignements.

MANUAL DE INSTRUCCIONES

IMPORTANTE: Lea estas instrucciones antes de utilizar su nueva máquina de tallar llaves del modelo n° 044. Asegúrese de que se cumplen todas las consignas de seguridad (página 3).

PERFORMANCE
Series



Este manual se refiere específicamente a la máquina de tallar llaves nº 044 de la serie Performance y en él se describe el modelo con todo detalle, lo que le permitirá recibir las piezas apropiadas si necesita algún recambio. Conserve el manual en un sitio seguro, ya que es el único ejemplar que tiene. Si transfiere la propiedad de la máquina, este manual debe ir con el aparato.

Cuando quiera obtener información sobre las piezas de repuesto de esta máquina, refiérase al modelo 044 y al número de la pieza deseada (vea las páginas 6 a 8). Tenga en cuenta que muchas de estas piezas no son intercambiables con las de otras máquinas de KABA ILCO.

ÍNDICE

Garantía	30
Consignas de seguridad	31
Introducción / Desembalaje.....	32
Piezas de la máquina (ilustración)	33
Identificación de las piezas de la máquina (nombres y números).....	33
Vista despiezada	34
Lista de piezas de la vista despiezada / Desembalaje / Llaves de prueba	36
Cómo copiar llaves	37
Tallado / Reemplazo de la fresa.....	40
Reglajes	41

GARANTÍA LIMITADA DE UN AÑO

La sociedad KABA ILCO garantiza al primer comprador de un modelo nuevo de la máquina 044 que, durante el periodo de un año contado a partir de la fecha de expedición de la máquina por KABA ILCO, reparará o reemplazará, a su elección, cualquier pieza de una máquina que, según la apreciación razonable de KABA ILCO, tenga defectos provocados por vicios de fabricación de la máquina o por materiales o componentes defectuosos, y ello a condición de que la máquina se devuelva, portes pagados, a KABA ILCO o a su representante autorizado antes de la expiración del periodo de garantía, acompañada de una descripción detallada del o de los defectos alegados. KABA ILCO puede, discrecionalmente, reembolsar el precio de compra atribuido a la pieza afectada o atribuir un abono si el precio todavía no se ha desembolsado.

La sociedad KABA ILCO vende máquinas hechas con la mayor precisión. El comprador asume todos los riesgos e KABA ILCO no será responsable en ningún caso si la máquina ha sido mal instalada, se ha utilizado incorrectamente, el mantenimiento ha sido inadecuado o incorrecto, ha habido negligencia, se ha efectuado cualquier modificación o transformación no autorizada de la máquina, o ha habido un accidente. Para más claridad: toda máquina utilizada sin seguir las instrucciones impresas de KABA ILCO o haciéndola funcionar por encima de su capacidad nominal, no será cubierta por esta o cualquier otra garantía.

Todas y cada una de las garantías previstas por KABA ILCO para cualquier máquina, producto o componente surtirán efecto solamente si, y mientras que, el comprador respeta todos sus compromisos de pago de conformidad con los documentos de aceptación y recepción del pedido por el comprador. El incumplimiento de esos compromisos de pago anulará y dejará sin efecto todas las garantías y no prolongará el periodo de tiempo durante el que la máquina, el producto o el componente estén garantizados, independientemente de que el pago se efectúe finalmente o no.

Estas garantías sustituyen y no se añaden a cualquier otra garantía o condición, explícita o implícita, incluyendo, sin que ello constituya un límite, la capacidad comercial, la adecuación a un propósito determinado o los vicios ocultos. El comprador libera a KABA ILCO de cualquier responsabilidad aparte de la que se derive del incumplimiento de las garantías vigentes en virtud del presente documento.

La responsabilidad de KABA ILCO no excederá en ningún caso, incluida la negligencia, el precio de compra de la máquina defectuosa. Asimismo, KABA ILCO no será responsable de ninguna lesión corporal, de ningún daño a bienes o de cualesquiera daños indirectos.

En esta máquina, utilice solamente piezas de recambio de origen KABA ILCO.

Número de serie: _____

ADVERTENCIA – AVISO DE SEGURIDAD

IMPORTANTE: Sírvase leer atentamente estas consignas antes de utilizar la máquina.

La seguridad empieza con la educación y continúa con una utilización correcta de los aparatos. Todos los empleados que vayan a trabajar con esta máquina deben leer antes el manual de utilización facilitado para informarse del manejo

correcto. De esta manera, las probabilidades de sufrir accidentes y de realizar entalladuras defectuosas se reducirán considerablemente.

Seguridad general

- Cuando se utiliza el equipo de tallar las llaves o cuando se está cerca de él, hay que llevar gafas de seguridad para disminuir las posibilidades de herirse los ojos.
- Apague siempre la máquina antes de efectuar reglajes o de poner o quitar las llaves.
- La máquina debe colocarse en una zona a la que sólo puedan acceder los operarios autorizados. Su ubicación debe elegirse de manera que los otros empleados, así como los clientes, no se expongan a las virutas que puedan saltar y se hieran.
- No desmonte los dispositivos de seguridad que lleva la máquina. Debe prohibirse estrictamente quitar o modificar las pantallas protectoras, las cubiertas de protección de la fresa y los demás dispositivos de seguridad.
- No hay que tocar nunca las piezas accionadas mecánicamente cuando la máquina está en funcionamiento. El operador debe mantener siempre lejos de la máquina las ropas amplias, el pelo largo, etc.
- Esta máquina se ha diseñado y fabricado específicamente para la única función de tallar llaves, y debe usarse tal y como se indica en el manual de utilización. Se desaconseja formalmente otros usos cualesquiera ya que son potencialmente peligrosos y, por ello, nunca deben intentarse. La violación de esta consigna anulará inmediatamente la garantía.
- Algunos Estados, Comunidades Autónomas o Provincias han fijado una edad límite para poder utilizar ciertas máquinas. Consulte los reglamentos pertinentes para respetar esas disposiciones.

Seguridad eléctrica

- Modelos de 115 voltios: Esta máquina se ha diseñado para funcionar con una corriente eléctrica de 120 voltios C.A. a 60 Hz. Está provista de una clavija tripolar que debe conectarse únicamente a una base de enchufe tripolar con una toma a tierra correcta. ¡No anule el dispositivo de seguridad de la clavija modificándola o utilizándola en enchufes sin toma a tierra!
- Para reducir el riesgo de incendio o de descarga eléctrica, no coloque la máquina ni la ponga en funcionamiento en sitios mojados o húmedos.
- Los problemas eléctricos deben ser tratados por técnicos cualificados en la materia. Si la garantía de la máquina todavía está vigente, sírvase contactar KABA ILCO en la dirección impresa en la portada (KABA ILCO ofrece también un servicio de reparación para las máquinas no cubiertas por la garantía. Para más información, póngase en contacto con KABA ILCO).
- Desenchufe siempre la máquina antes de quitar la cubierta o de cambiar la fresa.

Instrucciones para la toma a tierra

- En caso de funcionamiento incorrecto o de avería, la toma a tierra facilita un recorrido de menor resistencia a la corriente eléctrica para reducir el riesgo de electrochoque. Esta máquina tiene un cordón eléctrico provisto de un conductor y de una clavija de toma a tierra. La clavija debe conectarse a un enchufe para máquina que esté correctamente instalado y tenga toma a tierra según los códigos y reglamentos locales.
- No modifique la clavija de enchufe que se facilita. Si no entra en la base del enchufe, haga que un electricista cualificado instale el enchufe adecuado.
- Una conexión incorrecta del conductor de toma a tierra del equipo puede provocar un riesgo de choque eléctrico. El conductor con aislamiento que tiene una superficie exterior verde (con o sin bandas amarillas) es el de toma a tierra. Si hubiera que reparar o cambiar el cordón eléctrico o la clavija, no conecte el conductor de toma a tierra del equipo a un borne en tensión.
- Si no ha entendido bien las normas de toma a tierra o tiene alguna duda sobre si la máquina tiene una toma a tierra correcta, consulte al respecto con un electricista cualificado o con el personal competente.
- Utilice solamente cables de prolongación de tres hilos que tengan clavijas tripolares con toma a tierra y enchufes tripolares que acepten la clavija de la máquina.
- Repare o reemplace inmediatamente los cordones eléctricos estropeados o usados.

INTRODUCCIÓN / DESEMBALAJE

¡Enhorabuena!

Acaba de adquirir una máquina de tallar llaves de calidad superior

La máquina de tallar llaves manual del modelo 044 de la serie Performance que acaba de adquirir integra en su diseño las últimas mejoras para este tipo de máquinas de tallar llaves.

La función semiautomática del modelo 044 significa que la propia máquina suministra el grado de presión adecuado contra el carro durante el proceso de copia de la llave y que

el movimiento de « trazado » del carro durante el citado proceso se controla simplemente moviendo una palanca. En suma, el modelo 044 copia las llaves más deprisa y con mayor precisión, algo especialmente importante sobre todo cuando varios empleados utilizan la máquina durante el día.

Precisa, fácil de manejar y mantener, la máquina del modelo 044 da un excelente rendimiento a un precio económico.

Instrucciones de desembalaje

Su máquina de tallar llaves del modelo 044 viene en una caja resistente especialmente acolchada para evitar que sufra desperfectos durante el transporte. Cuando haya sacado la máquina de su caja de cartón, debe instalarla sobre una mesa de trabajo bien nivelada y limpiarla para quitar todo el aceite antioxidante. Aunque la máquina ha sido ajustada en la

fábrica y se han tallado llaves de prueba con ella, le recomendamos que verifique el reglaje para asegurarse de que no se ha movido o modificado durante el transporte (vea la sección “Reglaje de la profundidad del corte” en la página 13).

Seguridad

El modelo 044 ha sido diseñado exclusivamente para poder copiar llaves de cilindro (paracéntricas), sin que se prevea ningún otro uso. El operador de la máquina asume toda la responsabilidad si la utiliza para otro fin que para el que ha sido diseñada. Antes de poner en marcha la máquina, refiérase a la página 3 para conocer todas las consignas de seguridad.

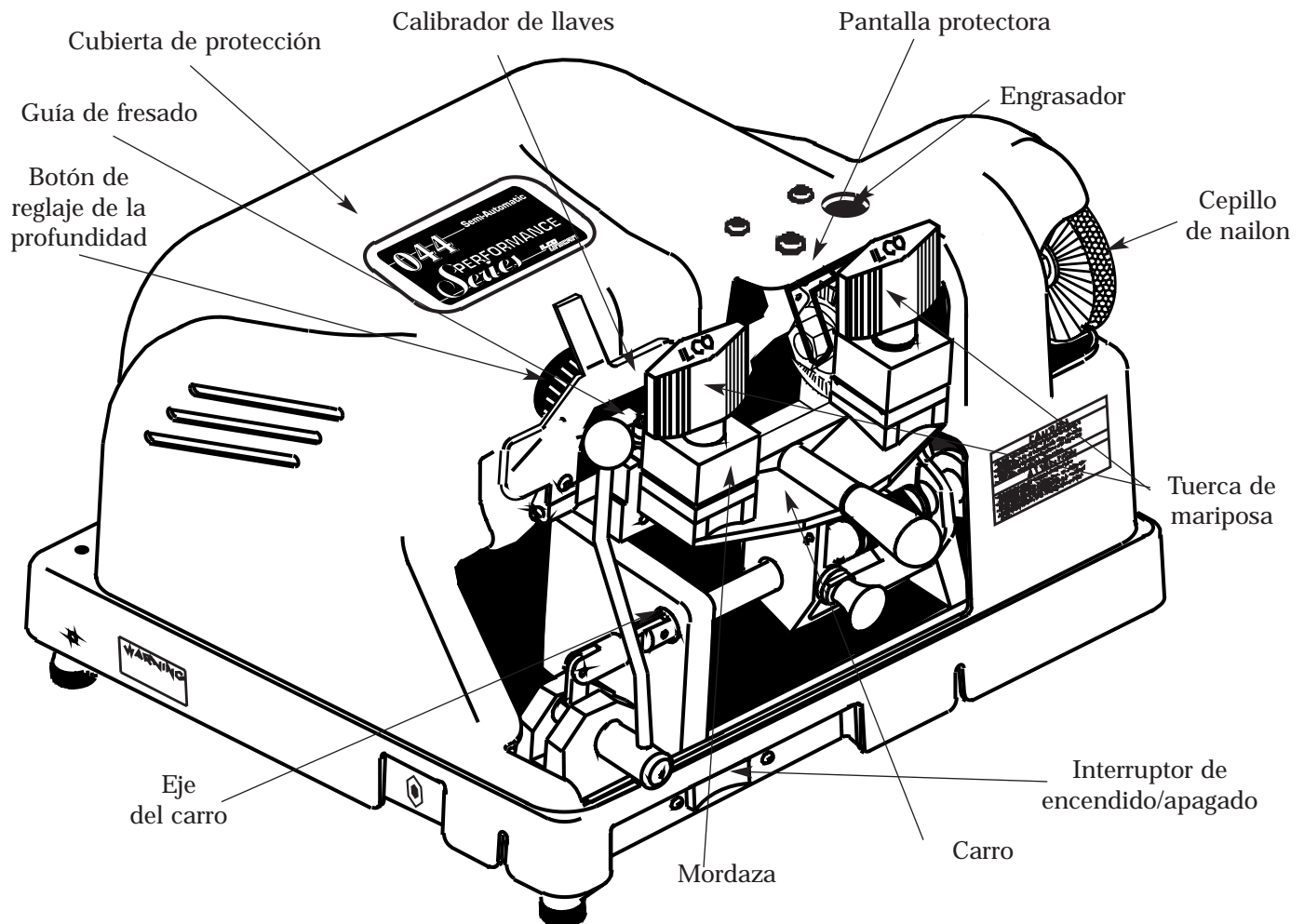
KABA ILCO **aconseja firmemente** llevar gafas protectoras o de seguridad cuando se trabaja con esta máquina o cuando

se está cerca de ella durante su funcionamiento. ¡Las gafas protectoras evitan accidentes! Antes de colocar o sacar las llaves hay que parar la máquina.

Cuando la máquina de tallar llaves está funcionando, debe tenerse cuidado para evitar que el disco cortador entre en contacto con las mordazas o el carro, ya que eso dañaría la fresa, la mordaza o el carro.

ATENCIÓN	NO TIRE O DESTRUYA EL EMBALAJE ESPECIAL DE ENVÍO. GUÁRDELO CUIDADOSAMENTE EN UN SITIO SEGURO PARA UTILIZARLO CUANDO HAYA QUE TRASLADAR O EXPEDIR LA MÁQUINA.
-----------------	---

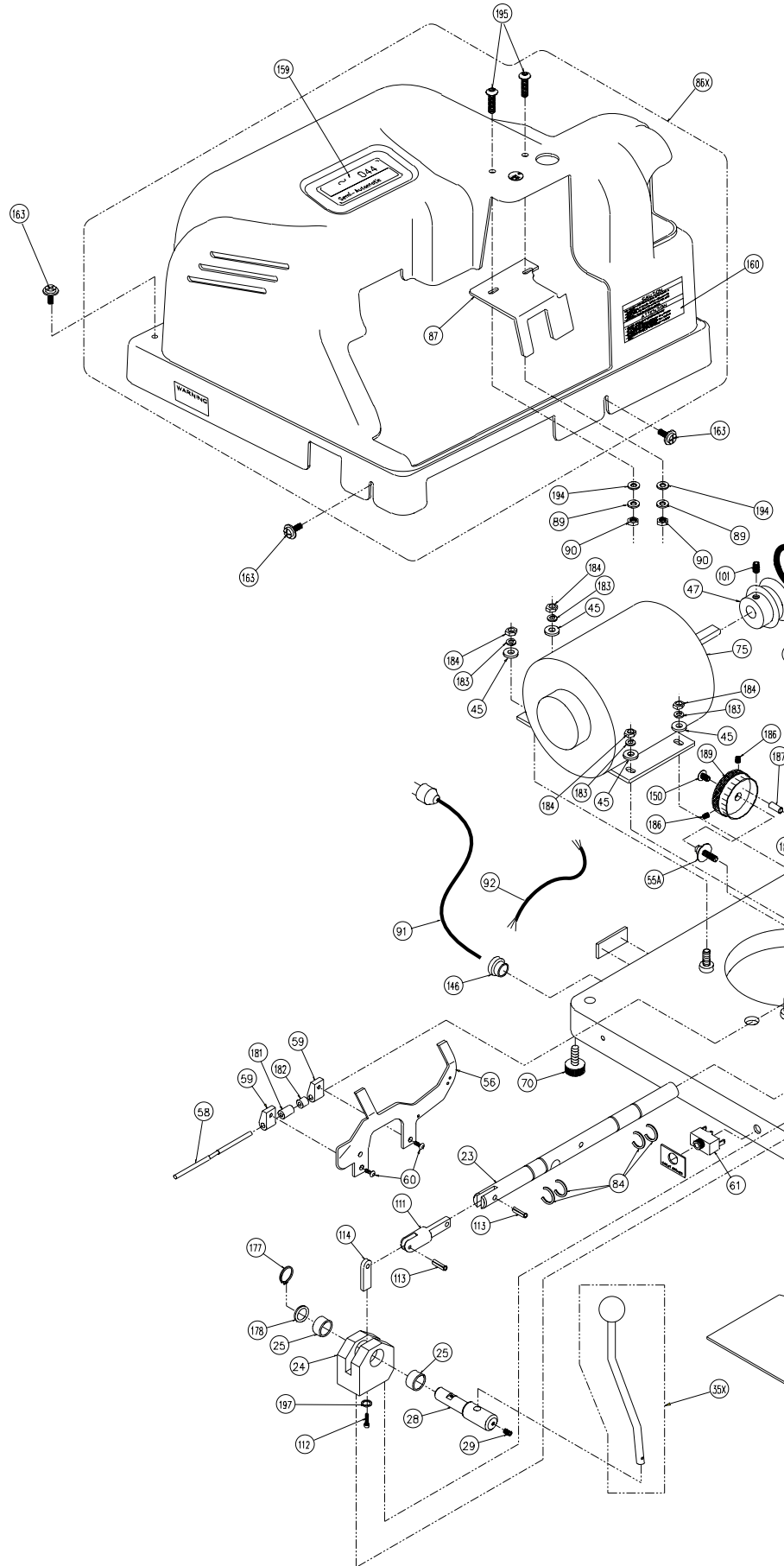
PIEZAS DE LA MÁQUINA

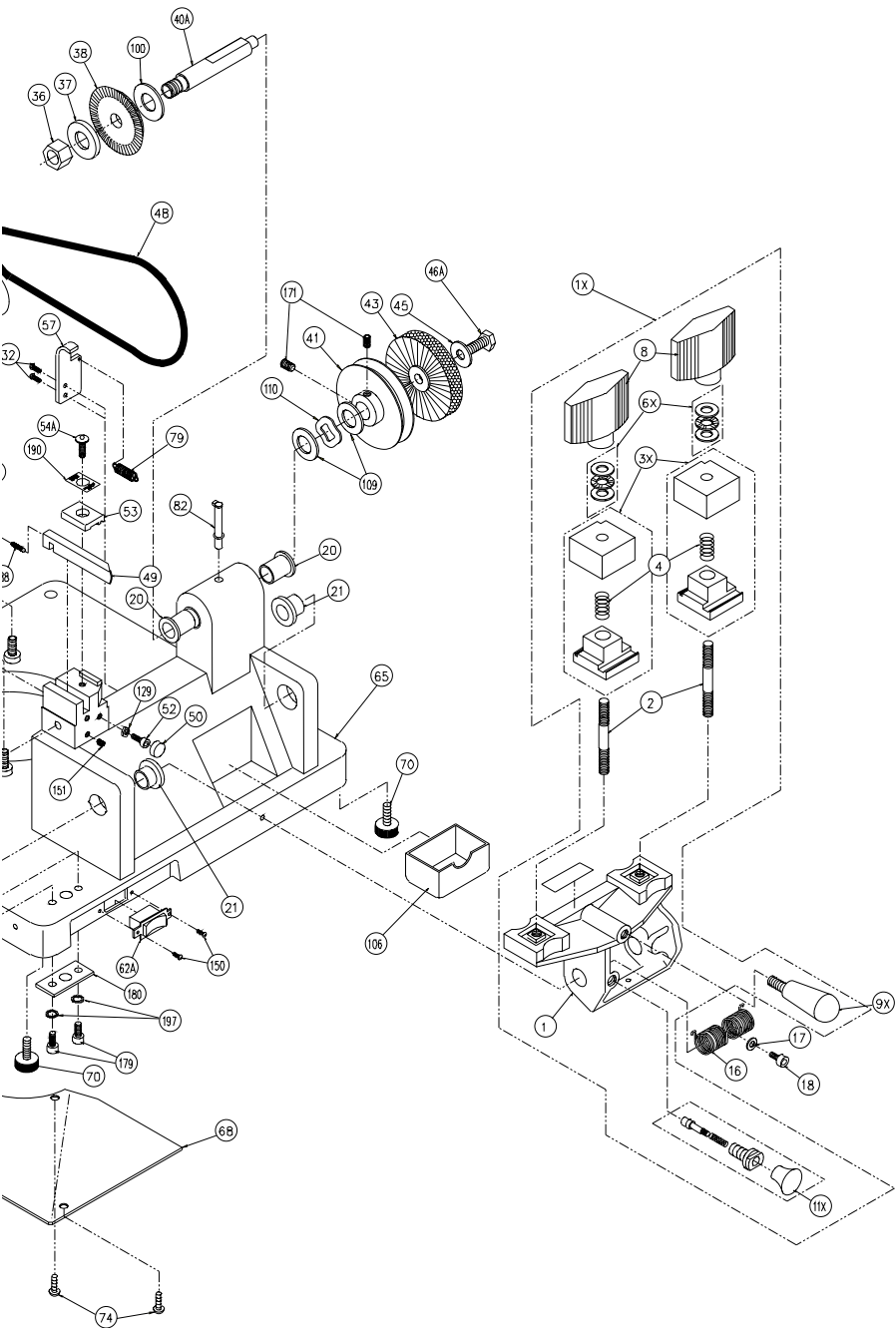


Identificación de las piezas de la máquina

Nº de pieza	Identificación
024B-1	Carro
025-3X	Mordaza
025-8	Tuerca de mariposa
040-9X	Mango del carro
040-11X	Gatillo
044-35X	Palanca del carro
CU20	Fresa CU20
814-00-51	Cepillo de nailon
044-49A	Guía de fresado (palpador)
040-56	Calibrador de llaves
025-61	Disyuntor
025-62A	Interrupción de encendido/apagado
025-82	Engrasador
044-86X	Cubierta de protección
045-87	Pantalla protectora

VISTA DESPIEZADA





LISTA DE PIEZAS DE LA VISTA DESPIEZADA

Vea las ilustraciones de las páginas 6 y 7.

Ref.	Nº de pieza	Descripción	Ref.	Nº de pieza	Descripción
1	024B-1	Carro	74	040-74	Tornillo de cabeza abombada, 8-32
1X	024B-1X	Conjunto del carro	75	040-75	Motor, ¼ CV, 115 V
2	025-2	Espárrago roscado del carro	79	024B-79	Muelle del calibrador de llaves
3X	025-3X	Mordaza	82	025-82	Engrasador
4	025-4	Muelle de mordaza	84	024B-84	Brida
6X	025-6X	Conjunto de cojinetes de empuje	86X	044-86X	Cubierta de protección
8	025-8	Tuerca de mariposa	87	045-87	Pantalla protectora
9X	040-9X	Mango del carro	89	045-89	Arandela de retención nº 10
11X	040-11X	Gatillo	90	025-90	Tuerca nº 10-32
16	040-16	Muelle de torsión del carro	91	024B-91	Cordón de alimentación
17	024-17	Arandela	92	024B-92	Cable de motor de tres hilos
18	024-18	Tornillo 10-32 x 1/2"	100	024B-100	Espaciador de la fresa, derecho
20	025-20	Manguito del eje de la fresa	101	025-101	Tornillo de fijación
21	025-21	Manguito del eje del carro	106	040-106	de la polea del motor
23A	024B-23A	Eje del carro			Bandeja de recogida de virutas
25	024B-25	Casquillo del eje del piñón	109	025-109	Arandela del cojinete
28A	024B-28	Eje del piñón	110	025-110	Arandela ondulada
29A	024B-29	Tornillo de fijación 1/4-20 x 5/16"	111	024B-111	Horquilla
32	024B-32	Tornillo de cabeza redonda, 10-24 x ¾"	112	024B-112	Tornillo con hueco hexagonal en la cabeza 10-32 x 3/4"
35X	044-35X	Palanca del carro	113	024B-113	Pasador cilíndrico
36	025-36	Tuerca de la fresa, N-4	114	024B-114	Biela de empuje
37	025-37	Espaciador de la fresa	129	040-129	Tuerca de bloqueo (8-32)
38	P-X23MC	Fresa P-X23MC	146	040-146	Abrazadera del cordón de alimentación
40A	025-40A	Eje de la fresa			
41	025-41	Polea del eje de la fresa	150	040-150	Tornillo del interruptor (6-32 x ¼")
43	814-00-51	Cepillo de nailon	151	040-151	Tornillo de fijación (8-32 x ¾")
45	024-45	Arandela para el perno del cepillo, 5/16"	160	025-160	Etiqueta de advertencia
46A	025-46A	Tuerca de cabeza hexagonal, 5/16"-18 x ¼"	163	045-163	Tornillo de la cubierta
			171	025-171	Tornillo de fijación de la polea de la fresa, 5/16" - 18 x ¼"
47	025-47	Polea del motor, 2" - 3 L	177	024B-177	Anillo de retención ext.
48	025-48	Correa trapezoidal, 3 L-180	178	024B-178	Arandela
49	044-49	Guía de fresado (palpador)	179	024B-179	SCHS 10-32 x 3/4"
50	040-50	Tope del carro	180	024B-180	Placa de montaje
52	040-52	Tornillo de cabeza hueca, 8-32 x 1-½"	181	024B-181	Espaciador del calibrador de llaves
53	045-53A	Arandela de sujeción de la guía de fresado	182	024B-182	Espaciador del calibrador de llaves - Derecha
54	045-54	Tornillo de sujeción de la guía de fresado	183	040-183	Arandela de retención 1/4-20
55	045-55	Tornillo de ajuste	184	040-184	Tuerca hexagonal 1/4-20
			186	045-186	Tornillo de fijación 6-32 x ¾"
56	040-56	Calibrador de llaves	187	045-187	Pasador
57	024B-57	Soporte del calibrador de llaves	188	045-188	Muelle del pasador
58	024B-58	Pasador de guía del calibrador de llaves	189	045-189	Botón de reglaje
59	025-59	Caja del calibrador de llaves	190	045-190	Etiqueta de la guía de fresado
			194	045-194	Arandela plana nº 10
60	025-60	Tornillo de capuchón, 8-32 x ½"	195	045-195	Tornillo de cabeza redonda 10-32 x ½"
61	025-61	Disyuntor, ETA 1658	197	044-197	Arandela de seguridad de collar alto
62A	025-62A	Interruptor de encendido/ apagado			
65	044-65	Base mecanizada	IM	044-IM	Manual de instrucciones
68	040-68	Cubierta para los componentes eléctricos	NS	025-240	Motor, ¼ CV, 220 V
70	040-70	Soporte de caucho			

Mango del carro y manija de la palanca

La máquina de tallar llaves n.º 044 se envía completamente montada, con excepción del mango del carro y de la manija de la palanca. Una vez desembalada la máquina, localice el mango del carro y enrósquelo en el carro, en la zona situada directamente encima del gatillo. Después, corte la banda de nylon manteniendo el carro en su sitio e inserte el extremo inferior de la manija de la palanca en el agujero del eje del piñón (situado en la parte delantera de la máquina, a la izquierda). Apriete el tornillo de fijación en la parte delantera del eje del piñón para asegurar la manija de la palanca. Vaya a la página 5 si no está seguro de dónde se colocan los mangos.

Llaves de prueba

La máquina viene con unas cuantas llaves de prueba que han sido talladas con ella y que representan el trabajo realizado por nuestros inspectores de calidad antes de aprobar el envío de la máquina. Las llaves son reproducciones de modelos de fábrica y su precisión mínima es de 0,002". Guárdelas y utilícelas como patrones de medida para comprobar la precisión de las entalladuras en las llaves que talle. Cuando copie una llave y compare mediante un micrómetro o un calibre la profundidad real de las entalladuras en la copia de la llave con la profundidad de las entalladuras de la llave modelo, podrá determinar si la máquina talla a una profundidad excesiva o insuficiente y, en consecuencia, sabrá si es necesario ajustar la guía de fresado.

Técnicas correctas para el tallado de llaves

La máquina n.º 044 se ha diseñado para tallar las llaves de una manera rápida, eficaz y precisa, pero la pericia del operador es un elemento muy importante. Aunque la colocación de las llaves en las mordazas es una operación fácil de aprender, hay que seguir ciertos principios de base. Así pues, si una máquina para tallar llaves tiene un reglaje correcto pero la utiliza alguien que no conoce las técnicas apropiadas, la máquina NO producirá llaves correctas. La manera de fijar la llave en las mordazas es una operación crucial para obtener una copia precisa.

Recuerde que el objetivo último de una copia de llave es el de accionar la cerradura para la que está destinada. Si los clientes le devuelven las llaves, vuelva a examinar sus técnicas de tallado y el reglaje de la máquina.

Seguidamente, le facilitamos algunos consejos de utilización importantes:

1. Limpie periódicamente las mordazas para que no haya virutas de metal debajo de las llaves. **Es importante que las dos llaves se apoyen horizontalmente a lo largo de las caras de las mordazas. Ninguna de las llaves debe estar inclinada.**
2. NO UTILICE alicates u otras herramientas para apretar las mordazas. Con hacer una presión manual firme, es suficiente.
3. Mantenga el eje del carro limpio de virutas. Puede aplicarle una película fina de aceite. El carro debe poder moverse libremente sin obstáculos.
4. No deje NUNCA que el lomo de una llave toque el lado de la guía de fresado. En ese caso, el lomo de la llave bruta entraría en contacto con el lado del disco cortador y se desprendería algo de metal. Si la copia de la llave se reproduce a su vez dos o tres veces, se irá acumulando el error y se producirán llaves inservibles. Nunca desbarbe un lomo.
5. Impida que la fresa toque las mordazas, porque si eso ocurre se desafilará y perderá su eficacia.
6. Mantenga la fresa limpia. No permita que cuerpos extraños o herramientas la emboten. El cortador es un útil de precisión y tiene que manejarse con cuidado.
7. Es importante lubricar las piezas móviles. Para ello, la máquina dispone de un engrasador que permite mantener bien lubricados los cojinetes del eje de la fresa (basta con verter en el engrasador de 5 a 7 gotas de aceite "3 en 1" o de aceite ligero para ejes). El eje del carro debe lubricarse con una película delgada de aceite y debe limpiarse para quitar las virutas que se hayan acumulado. La lubricación debe efectuarse cada 2 ó 3 semanas, según la frecuencia de utilización de la máquina. El motor debe lubricarse anualmente. Para más detalles, consulte la etiqueta del motor.

CÓMO COPIAR LLAVES

Procedimiento general para copiar llaves

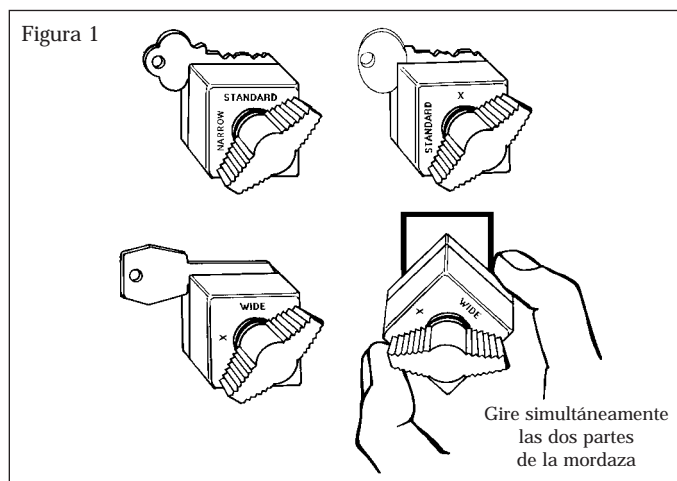
ADVERTENCIA: No coloque o saque llaves de la máquina a menos que el interruptor esté en la posición de apagado (OFF). Cuando trabaje con esta máquina lleve siempre puestas gafas de protección.

Para copiar una llave correctamente, los operadores de la máquina realizan las cuatro operaciones siguientes:

1. Selección de la llave bruta apropiada. Comparación de la cabeza, la longitud y la sección transversal (anchura, ángulo y ubicación de las acanaladuras) con los elementos correspondientes de la llave que hay que copiar, para asegurarse de que la correspondencia es adecuada.
2. Verificación de las dos mordazas de cuatro lados para que estén colocadas en la posición exigida por la llave que se desea copiar. Consulte la sección de este manual titulada "Utilización de las mordazas de cuatro lados".
3. Alineamiento correcto de la llave modelo y de la llave bruta en las mordazas. Consulte la sección "Alineamiento de las llaves en las mordazas".
4. Copia propiamente dicha de la llave modelo, que no podrá hacerse correctamente si no se han efectuado las operaciones anteriores.

Utilización de las mordazas de cuatro lados

La máquina n° 044 está equipada con mordazas polivalentes de cuatro lados Super Jaw 2 de KABA ILCO. Tienen cuatro superficies de sujeción diferentes que permiten sujetar prácticamente cualquier llave de cilindro (vea la figura 1).



Utilización de las mordazas de cuatro lados (continuación)

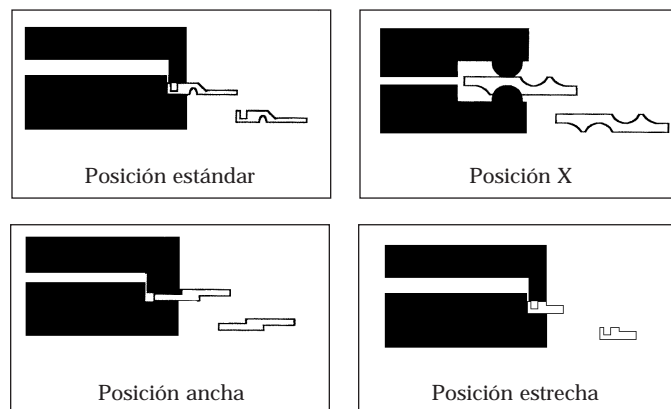
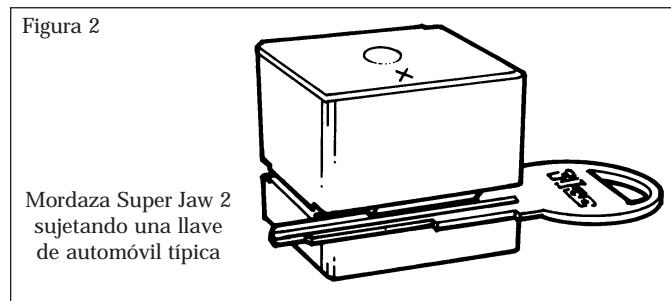
Para obtener la mejor sujeción posible hay que seleccionar la posición apropiada de la mordaza para la llave que se desea copiar. Las posiciones de la mordaza se explican seguidamente y su utilización correcta se refleja en la figura 2.

Estándar: Para sujetar las llaves de cilindro corrientes, como las llaves de domicilios, las de automóviles de una sola cara o las de candados de uno o dos lomos.

Estrecha: Para sujetar la llave 1092B y otras llaves estrechas.

Ancha: Para sujetar las llaves Ford de doble cara y tipos similares de llaves, tanto primarias como secundarias. Cuando coloque la llave en la mordaza, póngala de forma que la superficie superior de la mordaza se apoye horizontalmente contra el reborde central de la llave.

X: Ideal para sujetar la mayoría de llaves de doble cara corrientes utilizadas en casi todos los coches actuales. Sujete la llave por las acanaladuras en lugar de por el borde de la hoja en donde se hacen las entalladuras (vea la figura 2).



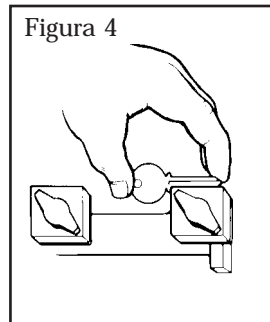
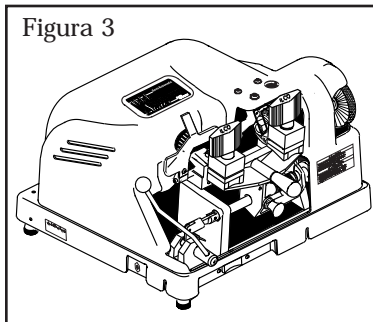
Para cambiar la posición de las mordazas y pasar, por ejemplo, de la posición estándar a la posición ancha, afloje primero las tuercas de mariposa. Después, levante a la vez la parte superior e inferior de la mordaza como si fuera un todo para subirla por encima de su posición en el carro. Gire la mordaza hasta que la posición deseada esté frente a la parte trasera de la máquina y baje entonces las mordazas hasta que toquen el carro. Las dos mordazas, la de la derecha y la de la izquierda, deben girarse hasta que estén en la misma posición.

Alineación de las llaves en las mordazas Llaves con lomo

ADVERTENCIA: Antes de colocar o sacar llaves de la máquina asegúrese de que el interruptor está en la posición de apagado (OFF).

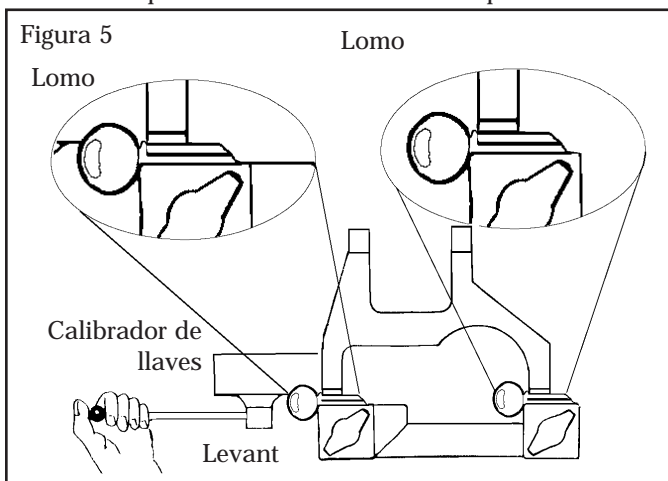
Antes de empezar a copiar la llave, tanto la llave modelo como la llave bruta tienen que estar bien alineadas y sujetas en las mordazas. El procedimiento correcto para hacerlo es el siguiente:

1. Mueva la palanca del carro hacia la izquierda, hasta el final (vea la figura 3).
2. Asegúrese de que las mordazas están bien orientadas



hacia la posición correspondiente al tipo de llave que se desea copiar.

3. Coloque la llave bruta en la mordaza derecha. Póngala de forma que quede paralela a la sección delantera de la mordaza (vea la figura 4). Apriete ligeramente la tuerca de mariposa.
4. Baje el calibrador de llaves hasta que se apoye en la hoja de la llave bruta. Mueva despacio la palanca del carro en el sentido de las agujas del reloj, hacia la derecha, hasta que el lomo de la llave bruta toque el borde del calibrador de llaves (vea la figura 5).
5. Con el dedo índice, apriete en el borde delantero de la llave bruta mientras afloja la tuerca de mariposa. Vuelva a apretarla bien cuando se haya asegurado que la llave bruta está en contacto con el calibrador y correctamente asentada en la mordaza.
6. Coloque la llave modelo en la mordaza izquierda, repitiendo el procedimiento indicado en el punto 4.

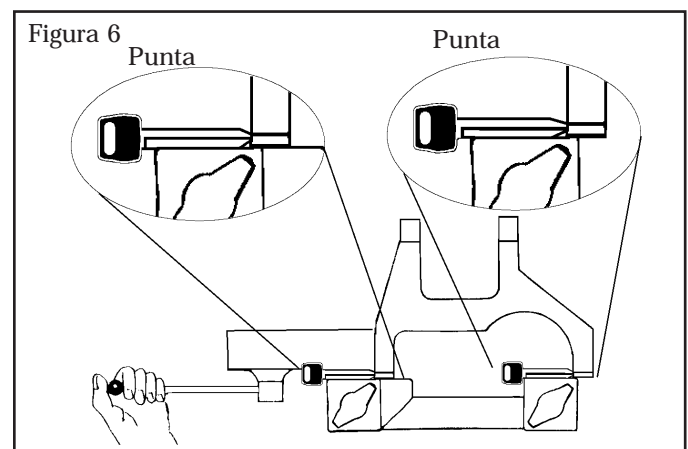


7. Asegúrese de que los lomos de la llave modelo y de la llave bruta están bien ajustados contra el calibrador, y que las dos llaves están colocadas a nivel (no inclinadas) en las mordazas. Vuelva a colocar el calibrador en la posición « arriba ». Ahora la llave está correctamente alineada para efectuar la copia.

Alineación de las llaves en las mordazas Llaves sin lomo

Cuando las llaves no tienen lomo clásico, como en el caso de la llave Ford de cara doble, se utiliza la punta de la llave como punto de alineamiento (vea la figura 4). Con ese tipo de llaves, siga el procedimiento que se indica a continuación:

1. Asegúrese de que las mordazas están bien orientadas hacia la posición correspondiente al tipo de llave que se desea copiar.
2. Coloque la llave bruta en la mordaza derecha. Para la mayoría de llaves de automóvil cuya punta se utiliza para calibrar, coloque la llave bruta de manera que la punta quede a 6,35 mm (1/4") aproximadamente a la izquierda del borde derecho de las mordazas. Apriete fuerte la tuerca de mariposa de las mordazas.
3. Mueva la palanca del carro hacia la izquierda de manera que el "dedo" derecho del calibrador esté exactamente delante de la punta de la llave bruta cuando el calibrador esté bajado.
4. Inserte de la misma manera la llave del cliente (llave modelo) en la mordaza izquierda. Después, coloque la llave bruta y la llave modelo de forma que sus puntas entren en contacto directamente con el borde izquierdo de los dedos



del calibrador de llaves (ver figura 6).

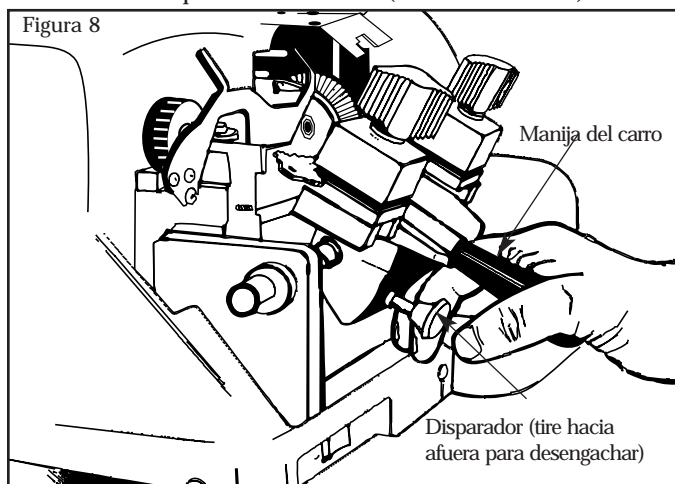
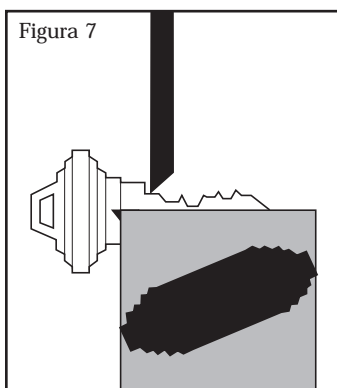
5. Cuando la llave modelo y la llave bruta estén alineadas, levante el calibrador hasta la posición « arriba ».
6. Si una llave está tallada por los dos lados, copie cada uno siguiendo el mismo procedimiento de alineación. En el caso de las llaves Ford y de la mayor parte de llaves con doble cara europeas y japonesas, sólo hay que dar la vuelta a la llave bruta, ya que las entalladuras son las mismas en ambos lados.
7. Vaya a la página 12 para obtener más información sobre el proceso de copia de llaves.

SECUENCIA GENERAL / CAMBIAR LA FRESA

Séquence de manoeuvres générale

ADVERTENCIA: no instale ni quite llaves de la máquina, a menos que el conmutador de encendido / apagado esté en la posición "APAGADO".

1. Coloque ambas mordazas en la posición adecuada para el tipo de llave que se quiera duplicar.
2. Instale la llave ciega y la llave modelo en las mordazas siguiendo el procedimiento descrito en la sección "Alineación de las llaves en las mordazas". Asegúrese de que ambas llaves están perfectamente horizontales (no inclinadas) dentro de las mordazas.
3. Una vez alineadas las llaves, gire la palanca del carro hacia la derecha (en el sentido de las agujas de reloj) hasta que la guía de la fresa quede muy poco a la izquierda del corte más próximo a la cabeza de la llaver modelo (ver figura 7).
4. Oprima el conmutador de encendido / apagado para ponerlo en la posición "ENCENDIDO".
5. Empuje hacia abajo la manija del carro mientras tira hacia afuera el disparador del carro (ver ilustración 8). Esto le



permitirá mover suavemente el carro hacia arriba, colocándolo en la posición de corte. Recuerde que los mejores resultados se logran cuando la guía de la fresa hace el contacto inicial muy poco a la izquierda del corte más próximo a la cabeza de la llave modelo. No permita que la fresa toque el lomo de la llave ciega.

6. El movimiento del carro se controla con la palanca. Gire suave y no muy rápidamente la palanca del carro hacia la izquierda (en sentido opuesto al de las agujas de reloj). ¡Evite los movimientos bruscos e irregulares! Cuando la fresa haya llegado a la punta de la llave, mueva el carro hacia la derecha girando la palanca del carro hacia la derecha (en el sentido de las agujas de reloj) para hacer

pasar la fresa una segunda vez sobre la llave ciega. DETENGA el carro antes de que la fresa entre en contacto con el lomo de la llave ciega.

7. Oprima el conmutador de encendido / apagado para ponerlo en la posición "APAGADA", luego saque la llave modelo, empujando la manija del carro hacia abajo hasta que el disparador enganche con un chasquido. Afloje la tuerca de mariposa para sacar la llave duplicada.
8. Encienda la máquina y limpie la llave cortada pasándola por el depilador para quitar rebabas.

Cómo cambiar la fresa

La fresa CU20 en esta máquina tiene 2 1/4 pulg. de diámetro, 0,250 pulg. de espesor (1/4 pulg.) y tiene un agujero de 1/2 pulg. Es una fresa hecha de acero para alta velocidad. Tiene el lado izquierdo plano, lo que es excelente para producir cortes profundos, cuando estos cortes se encuentran cerca del lomo, como en el caso de llaves GM, Chicago, etcétera. Las fresas no tienen ninguna garantía, por esa razón los operadores deberán tratarlas con cuidado y evitar el maltrato. No fuerce el carro hacia arriba, haciendo que la llave ciega golpee sobre la fresa y no aplique una fuerte presión cuando corte. Tampoco deje que la fresa corte las mordazas; esto la desafilará rápidamente.

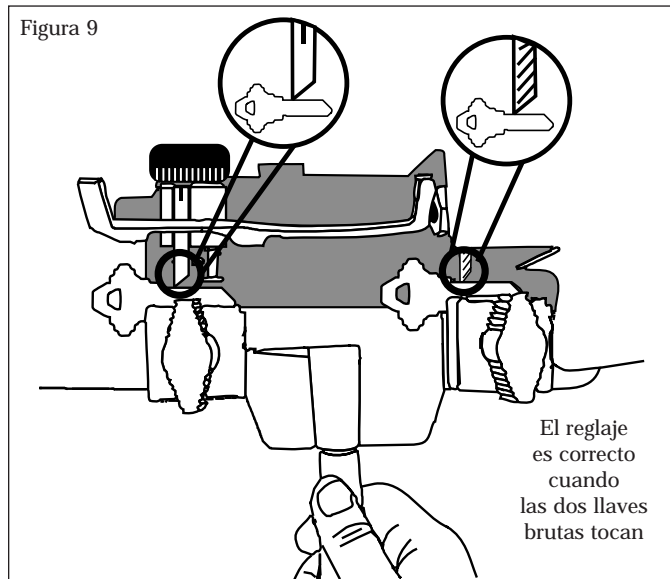
Como con cualquier instrumento que sirve para cortar metales, la CU20 se desafilará con el uso. Hay tres maneras de determinar cuando una fresa está desafilada y debe cambiarse:

1. Tiempo: Una fresa desafilada toma más tiempo para hacer los cortes.
2. Sonido: una fresa desafilada emitirá un sonido agudo mientras pasa por la llave ciega.
3. Rebaba: una fresa desafilada no cortará el metal, sino que lo enrollará. Cuando esto se produce, se acumularán astillas metálicas en la parte de abajo de la llave. Se esta acumulación es considerable, la fresa está desafilada. Una fresa afilada deja poca o ninguna rebaba.

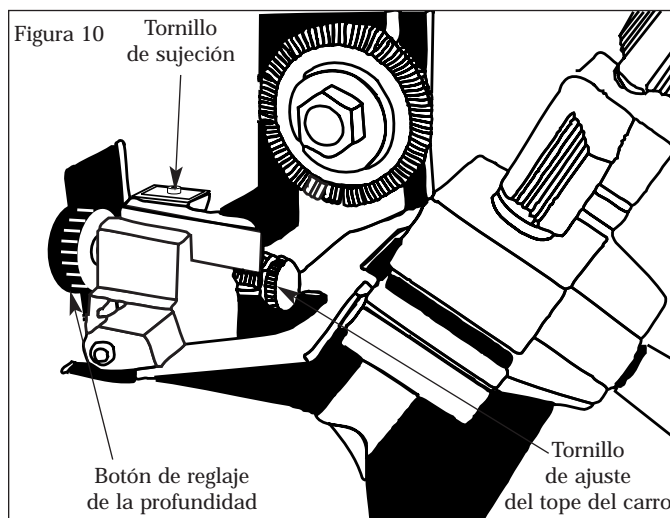
Para cambiar la fresa use dos llaves, una de 3/4 pulg. para la tuerca de la fresa y otra de 1/2 pulg. para el eje. Coloque las dos llaves en posición y afloje la tuerca de la fresa. Observe que esa tuerca tiene una rosca inversa y gira hacia abajo para aflojarse. Quite los espaciadores y la fresa desafilada. Instale la fresa nueva, los espaciadores y la tuerca.

Reglaje de la profundidad del corte

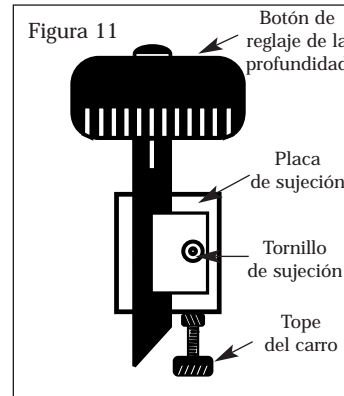
Como medida de seguridad, **DESENCHUFE** la máquina antes de ajustar la profundidad de la entalladura. Es fundamental que la guía de fresado y la fresa estén en el mismo plano, es decir, alineadas una respecto a la otra. Si la guía de fresado sobresale con respecto a la fresa, las entalladuras realizadas en la llave bruta no tendrán la profundidad suficiente y la copia no funcionará. Igualmente, si la guía de fresado se queda detrás de la fresa, las entalladuras de la llave serán demasiado profundas (vea la figura 9).



Para comprobar el reglaje de la profundidad, coloque dos llaves brutas idénticas en las mordazas, en posición horizontal (no es necesario alinearlas). Después, levante el carro poniendo la llave bruta de la izquierda contra la guía de fresado y la llave bruta de la derecha contra la fresa. Gire la polea de la máquina con la mano y observe la llave bruta de la derecha. Si el reglaje es correcto, la fresa rozará ligeramente la llave bruta.



Como ningún disco cortador es perfectamente redondo, hay que girar la fresa una vuelta completa antes de cambiar el reglaje. En la fresa habrá un punto máximo respecto al que habrá que efectuar el reglaje. Si, después de una vuelta completa, la fresa no toca la llave bruta, habrá que hacer un nuevo reglaje.



Para ajustar la guía de fresado, afloje **ligeramente** el tornillo de sujeción ubicado encima de la guía (vea las figuras 10 y 11). Después de haberlo aflojado, el botón de reglaje de la profundidad puede girarse hacia la izquierda (para disminuir la profundidad de la entalladura) o hacia la derecha (para aumentarla).

También en ese caso, el reglaje correcto se obtendrá cuando la fresa **roce ligeramente** la llave bruta colocada delante de ella mientras la guía de fresado está en contacto con la otra llave bruta. Apriete el tornillo de sujeción cuando haya terminado el reglaje. Después de apretar el tornillo, asegúrese de que el ajuste no ha variado.

Cada marca de calibrado en el botón de reglaje de la profundidad representa aproximadamente 0,0015" (1/2 milésimas de pulgada). Como puede ver, este dispositivo le permite efectuar un reglaje muy exacto de la máquina de tallar llaves. En realidad, si tiene un micrómetro o un pie de rey de esfera, usted puede ajustar su máquina con una "precisión de fábrica". Para ello, reproduzca una llave y mida las entalladuras de la llave modelo y de la copia para compararlas. Eso le indicará si existe una diferencia, es decir, si las entalladuras copiadas son demasiado o poco profundas y cuál es la diferencia. Con esos datos, usted puede utilizar el botón de reglaje de la profundidad situado en la máquina para ajustarla con objeto de obtener la mayor precisión posible. Esta operación es muy importante habida cuenta de que muchas cerraduras están diseñadas con tolerancias mínimas y que las llaves que usted reproduce son, muy a menudo, copias apenas funcionales. Cuanto mejor sea el reglaje de su máquina, más iguales a las llaves originales serán sus copias, reduciendo así los cortes defectuosos y no funcionales.

Es muy importante comprender que el reglaje de la máquina no es una operación "de una sola vez". Conforme se va usando la fresa, hay que ir ajustando la máquina para compensar. Una buena técnica de taller es **verificar** el reglaje de profundidad de la máquina cada 2 ó 4 semanas, según la cantidad de llaves copiadas, y hacer los reajustes necesarios. Cuando haga las comprobaciones indicadas, constatará que la mayor parte de las veces no es necesario volver a calibrar, pero si usted verifica y realiza las correcciones **ANTES** de que los clientes le devuelvan las llaves defectuosas, su tienda se forjará una buena reputación.

Reglaje del espaciamiento

El espaciamiento no puede ajustarse. Sin embargo, si se reemplazara el calibrador de llaves, habría que ajustarlo después de la instalación. Para hacerlo, primero coloque una llave modelo y una llave bruta y alinee las contra la guía de fresado y la fresa. Después, baje el calibrador de llaves y lime el diente apropiado para que el calibrador entre en contacto con los lomos de las dos llaves.

Reglaje del tope del carro

El tope del carro tiene como función impedir que la fresa dé contra la mordaza derecha. Este tope tiene una tuerca y un tornillo, y puede ajustarse. Para verificar el reglaje, levante el carro (sin que haya llaves en las mordazas) y gire la fresa con la mano. La fresa no debe tocar la mordaza. Cuando el reglaje del tope es correcto, tiene que haber una distancia de 0,008" entre la mordaza y la fresa (más o menos, el espesor de una tarjeta normal). No deje una distancia mayor porque eso puede afectar la profundidad de las entalladuras.

Limpieza

Mantenga su máquina limpia, sin virutas ni polvo. Las zonas más importantes son las mordazas y los ejes. Un pincel de una pulgada es ideal para limpiar esas zonas. Los ejes deben limpiarse periódicamente con un trapo ligeramente impregnado en aceite. Le aconsejamos limpiar las mordazas a menudo porque una simple viruta puede alterar la precisión de la máquina.

Frecuencia de lubricación

Es importante lubricar las piezas móviles. Para ello, la máquina dispone de un engrasador que permite mantener bien lubricados los cojinetes del eje de la fresa (basta con verter en el engrasador de 5 a 7 gotas de aceite "3 en 1" o de aceite ligero para ejes). El eje del carro debe lubricarse con una película delgada de aceite y debe limpiarse para quitar las virutas que se hayan acumulado. La lubricación debe efectuarse cada 2 ó 3 semanas, según la frecuencia de utilización de la máquina. El motor debe lubricarse anualmente. Para más detalles, consulte la etiqueta del motor.



Kaba Ilco Corp.

400 Jeffreys Rd., Rocky Mount, NC 27804

Tel.: (252) 446-3321 Fax: (252) 446-4702

www.kaba-ilco.com

A Member of the Kaba Group



Printed in Canada
PK2696/5/00