

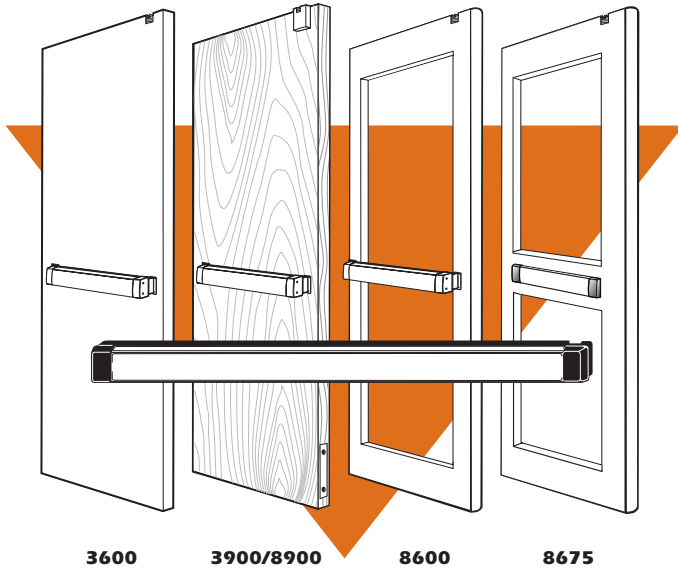


# Exit Devices Ordering Matrix

## CVR

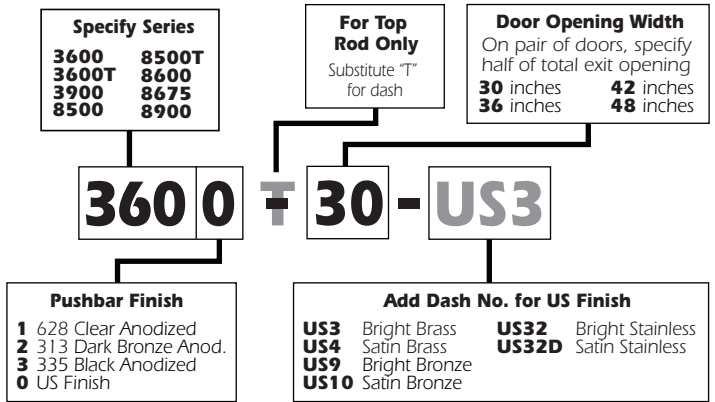
### Concealed Vertical Rod

- 3600 Series - Fire Rated for Steel Doors**
- 3600T Top Rod Only**
- 3900 Series - Fire Rated for Wood Doors - Top Rod Only**
- 8500 Series - Life-Safety for Steel Doors**
- 8500T Top Rod Only**
- 8600 Series - Life-Safety for Aluminum/Glass Doors**
- 8675 Mid-Panel**
- 8900 Series - Life-Safety for Wood Doors - Top Rod Only**



## HOW TO ORDER CVR EXIT DEVICES

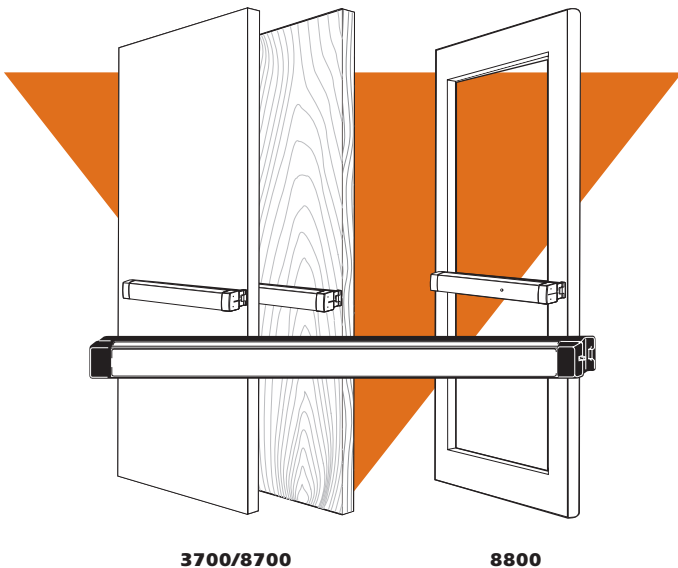
If required, specify cylinder and other trim separately.



For 3600, 8500 and 8600, order 8650 escutcheon kit and cylinder separately if required. For doors up to 10 feet tall specify: 8655 (8600), 8955-01 (8900), 3655 (3600). Refer to separate catalog page for more information.

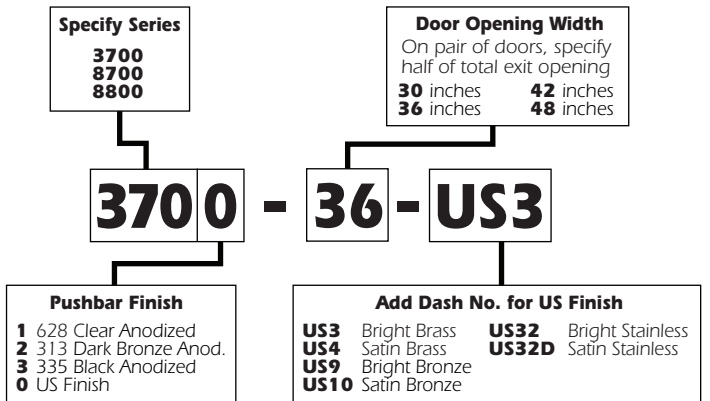
## RIM

- 3700 Series Rim Exit Device - Fire Rated for Steel/Wood Doors**
- 8700 Series Rim Exit Device - Life Safety for Steel/Wood Doors**
- 8800 Series Rim Exit Device - Life Safety for Aluminum/Glass Doors**



## HOW TO ORDER 3700, 8700, 8800

If required, specify cylinder and other trim separately.



Refer to separate catalog page for more information.

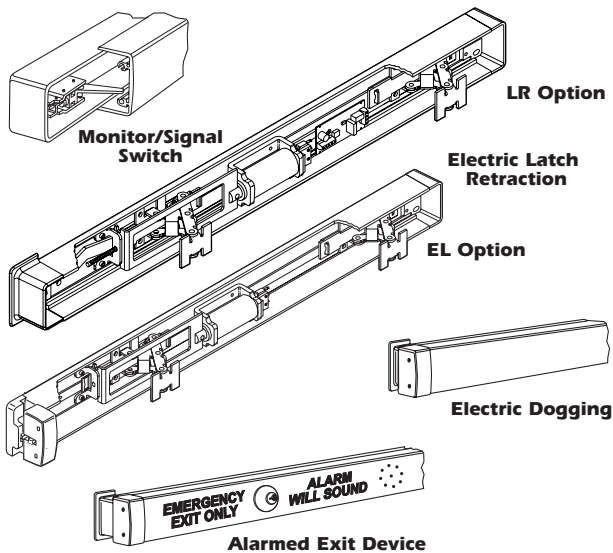
### Additional Options for all Exit Devices:

**Cylinder Dogging** - For all Life-Safety Devices only. Specify by adding "C" after exit device model number. Hex key dogging standard.

**Electrification** - See next page for electrical options.

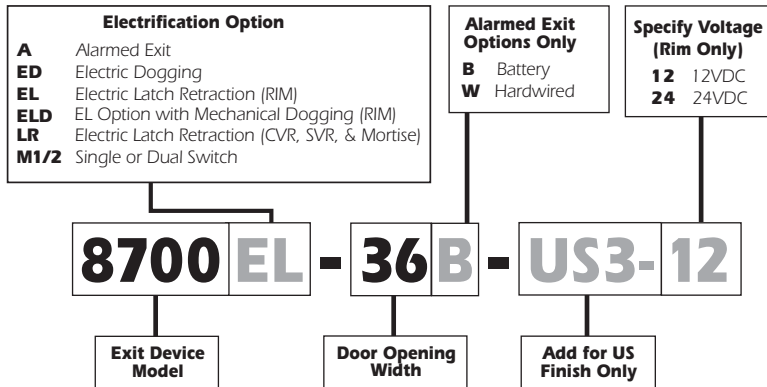


# Options/Entry Trim Ordering Matrix



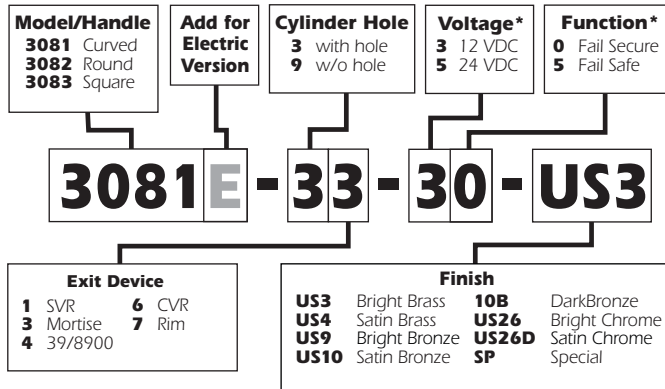
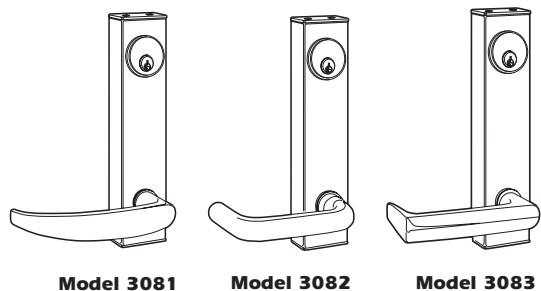
## HOW TO ORDER ELECTRIFICATION OPTIONS

Order PS-LR Power Supply separately, required for all CVR, SVR and Mortise Devices. Refer to separate Catalog Pages for more information.



## HOW TO ORDER 3080/3080E SERIES ENTRY TRIM

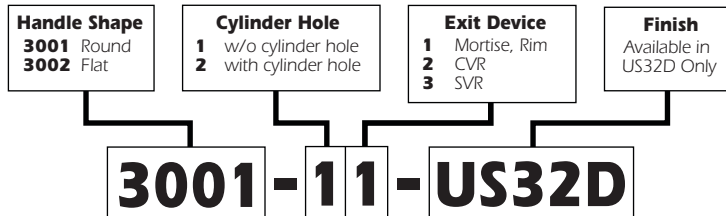
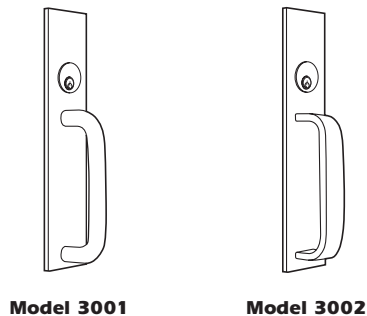
Trim uses 1-5/32" Mortise cylinder with MS cam. If required, order cylinder separately. Refer to separate Catalog Pages for more information.



\*3080E Series only

## HOW TO ORDER 3001 or 3002 FIXED PULLS

If required, order cylinder separately.



## HOW TO ORDER 8066 THUMBTURN

Trim uses 1-5/32" Mortise cylinder with MS cam. Order cylinder separately.

