

E-PLEX[®]
5 0 0 0



E-Plex[®]

E-Plex[®] 5000

Power up your access control



1

 **KABA[®]**
TOTAL ACCESS



E-Plex® 5000

- Simple to install, use and maintain
- Requires no wire through the door
- 100 access codes
- Extensive audit trail
- Programmable passage mode
- Optional easy-to-use Excel™ based software
- Three-year warranty from lock activation date
- ANSI/BHMA grade 1 compliant

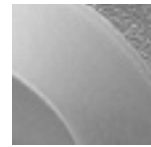


Built on over 40 years of experience, the new E-Plex by Kaba combines the strength, simplicity and reliability of our industry leading Simplex® locks with the enhanced security and convenience of electronic access control. The E-Plex 5000 is ideal for securing sensitive access points in multiple settings, especially locations with high user turnover. You'll appreciate fully audited access control without the costs and problems of issuing, managing and collecting keys or magnetic cards. It's never been easier to power up your access control.

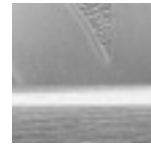




FINISH OPTIONS



SATIN CHROME



SATIN BRASS*



BRIGHT BRASS*



BLACK



DURANODIC

* Lifetime finish

E-Plex®



Easy to manage

Users and locks can be controlled at the door or with optional, easy-to-use Microsoft Excel™ based software. The software provides manageable control as your facility's number of users and access points grow. User additions and deletions are completed quickly. Each access code is assigned one of five authority levels that specify who has access to various lock functions.

- Each site is assigned one Master level – the remaining 99 codes can be set to Manager, User, or Service levels. Service level can be programmed for access once, or unlimited entrance for a period of one to 24 hours – ideal for service personnel, meeting rooms, and rental space.

Flexible

Three easy to set operation modes – combination “PIN” entry, passage, and lockout – give you the flexibility to control your facility's entry requirements according to your security needs during the business day and beyond.

Variety of key override formats fit existing master key systems – key-in-lever, interchangeable and removable core options. Passage can be set on or off, or programmed to relock after a specified period.

User-friendly

Audio and visual indicators can be set to notify users when access is granted or denied. Unique, yet convenient push-button design deters code stealing over traditional telephone style keypads. Lock features ADA-compliant levers.

Customizable user parameters

User access codes can be set from four to eight digits. The time interval between combination entry and relock is variable from two to 20 seconds. The anti-tamper feature disables the lock after multiple invalid combination entries – set for between three to nine attempts and up to 90 seconds.

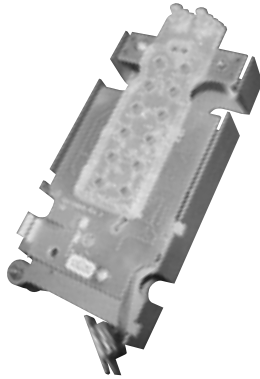


Easy to maintain

Durable heavy-duty construction requires minimal maintenance. Visual indicators alert you when battery is low.

Three-year warranty. Built-in warranty counter begins on date of lock activation.

Efficient design provides up to 180,000 cycles for battery life.



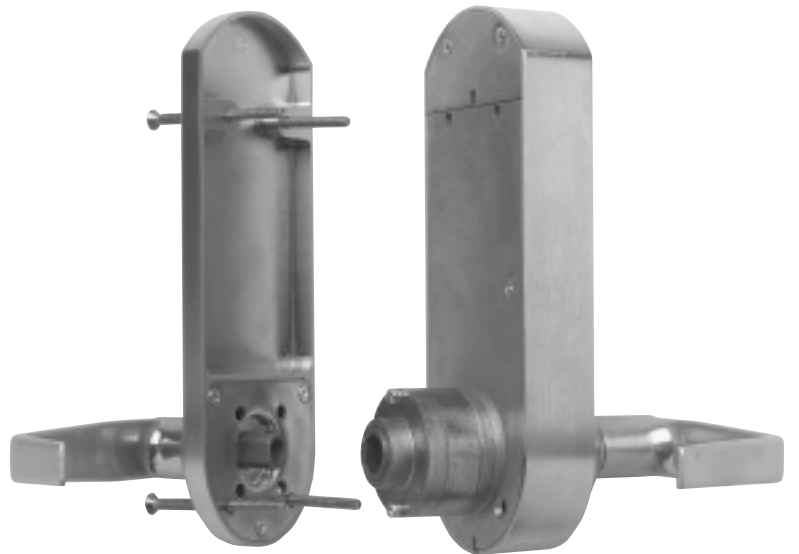
Fully contained electronics module in exterior housing eliminates repair hassles.



Easy to install

The lock installs easily on wood or metal doors and provides a quick and simple retrofit to any standard 161 cylindrical door prep. A non-handed design easily accommodates both left- and right-hand doors.

Fully weatherproof design requires no installation gaskets for outdoor use.





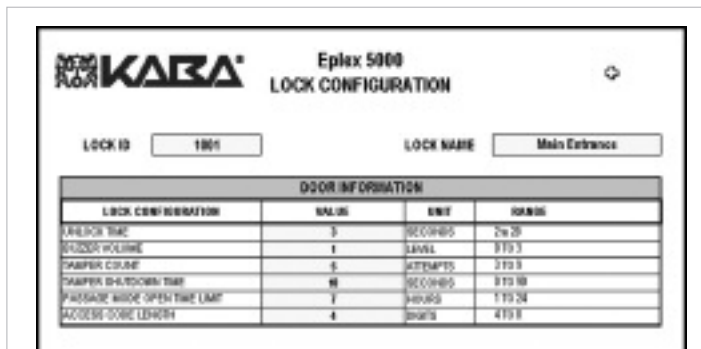
Optional E-Plex software

Easy-to-use point & click Microsoft Excel™ based software requires no specialized knowledge to operate. Software manages up to 100 enrolled access codes per door and up to 10,000 doors per site. Manage multiple sites with one software package.

- Users and doors can be added, deleted, and suspended quickly
- Predefined spreadsheet templates simplify setup and data input
- Lock settings and user information are easily cloned – permitting quick multi-lock setups

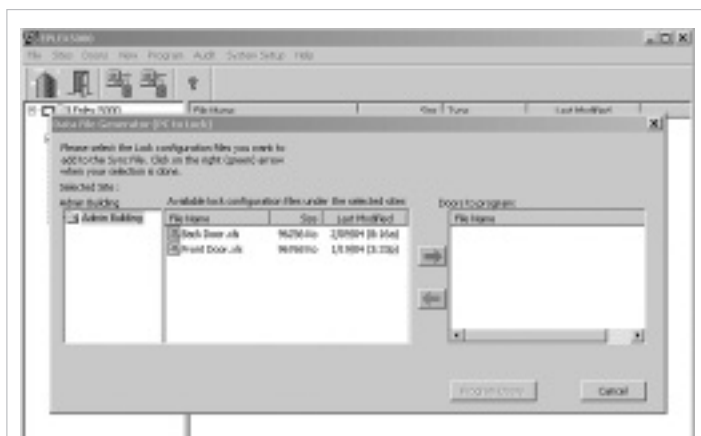
User-friendly software easily guides you through lock setup and functions, such as adding users and doors, and establishing authority codes.

- User information can be imported from existing databases and spreadsheets
- Password protection ensures integrity of data



Eplex 5000 - User Information

USER NUMBER	ACCESS CODE	USER NAME	USER TYPE	LOCK STATUS	NO. OF HOURS OF ACTIVATION (SERVICE USER)
001	1234	Sandy Turner	Access User	ENABLED	
002	5678	Michel Bernben	Access User	ENABLED	
003	2020	Mark Brown	Access User	ENABLED	
004	9876	Sue Stone	Access User	ENABLED	
005	6642	Jim Clark	Access User	ENABLED	
006	7690	Giovanni Chrysler	Access User	ENABLED	
007	7777	Jane Johnson	Service User	ENABLED	5
008				ENABLED	
009				ENABLED	
010	1610	Rch Grogan	Manager	ENABLED	
011	1611	Isabelle Soucott	Manager	ENABLED	
012				ENABLED	
013	2016	Mike Lang	Access User	ENABLED	
014				ENABLED	





Communication

No cables are needed to upload and download your data – communicates through infrared data transfer function of a handheld PDA (personal digital assistant). Simply aim the data transfer window at your lock and receive visual confirmation when complete. The PDA battery gauge feature can be used to quickly test the lock's battery life status without accessing batteries – just point and click.



E-Plex®

Extensive audit trail

Records and saves the last 3,000 lock events – even mechanical key override use – to provide user accountability. Audit information is downloaded to Excel spreadsheets for analyzing, sorting, or printing. Spreadsheet design allows you to sort according to your information needs – unlike the "canned" pre-programmed audit in most access systems.

KABA®		Eplex 5000 LOCK AUDIT		DATE OF REPORT: 06/14/2004 08:27:30		
LOCK HEADER						
LOCK NAME:	Main Entrance	LOCK ID:	9001	TTY Address:	1.00	
FILE NAME:	Main Entrance 10/14/2004 08:27:30.xls	TOTAL EVENTS:	479			
LOCK PROGRAM INFORMATION						
DATE	TIME	TRANSACTION DESCRIPTION	USER #	USER ACCESS CODE	USER NAME	USER TYPE
06/10/2004	14:29:35	Master communication started		17004221		Master
06/10/2004	14:31:13	Manual Programming started		17004221		Master
06/10/2004	14:34:24	Lock opened on valid access code	905	4042	Jim Clark	Access User
06/10/2004	14:34:12	Lock opened on valid access code	905	3636	Rich Orsigan	Manager
06/10/2004	15:37:28	Key override - mech. (bypass)				
06/10/2004	15:05:20	Lock opened on valid access code	907	1333	John Scott	Service User
06/10/2004	15:26:14	Lock opened on valid access code	909	0000	Access User	ENABLED



E-Plex® 5000 Series

Electronic Access Control



E-Plex 5000 Series

Description

The E-Plex 5000 Series combines the strength, simplicity and reliability of Simplex mechanical pushbutton locks with the added security and features of electronic access control. The lock controls access with up to 100 Access Codes. Exterior access is by combination or key override, and egress is by interior lever and is free at all times.

User access can be programmed at the lock or managed with optional easy to use point and click Microsoft Excel™ based software. E-Plex software provides increased control as your facility's users and access points increase.

Application

The E-Plex 5000 is ideal for controlling access to security sensitive areas in commercial, industrial, educational, governmental, healthcare, lodging, and multi-unit residential settings. It's perfect for restricted areas with a high user turnover rate.

Features

- Keyless convenience – eliminates problems and costs associated with key systems
- 100 access codes
- Three-year warranty from lock activation date
- Flexible operational modes – combination (PIN) entry, passage, lockout
- Simple to install, use and maintain
- Extensive audit trail – lock records last 3,000 events, including key override use
- Flexible user preferences – adjustable anti-tamper lockout, adjustable relock time, variable length access codes
- ANSI/BHMA Grade 1 compliant
- Optional easy-to-use Excel based software

Optional Software Features

- Microsoft Excel based software requires no special knowledge to operate
- Easily manages up to 100 Enrolled Access Codes per door, and up to 10,000 doors.
- Users and doors quickly added and deleted
- Pre-defined spreadsheet templates simplify set-up and data input
- Lock settings and access schedules easily cloned for quick multi-lock set ups
- Simple on-screen instructions guide you through set up and functions
- User information can be imported from existing databases and spreadsheets

E-Plex® 5000 Series

Lock Specifications

Mechanical Features

Construction:	Extra heavy-duty Grade 1 lock; cylindrical lockset, solid cast housings; solid cast zinc levers, cylindrical drive wear tested for extensive use in indoor and outdoor applications		
Numeric pushbuttons:	Vandal resistant, 12 button, metal keys		
Handing:	Non-handed, pre-assembled for left-hand door installations		
Standard finishes:	Housing – Satin Chrome 26D (626), Black 19 (676) Lever – Satin Chrome 26D (626)		
Optional finishes:	Duranodic 55 (695) housing with Satin Chrome 26D (626) lever Lifetime Bright Brass 03 (605) housing & lever Lifetime Satin Brass 04 (606) housing & lever		
Weight:	8 lbs. (3.63 kg)		
Strike:	ASA and standard strike plate		
Latches:	½" (13 mm) throw latch, floating face plate ¾" (19 mm) throw latch, beveled face plate		
Key override:	Universal key-in-cylinder or removable core formats. Universal key-in-lever cylinder includes Kaba 1599 6-pin cylinder (Kaba 90 keyway, keyed different) and tailpieces for compatibility with:		
	Abloy 5277	Abloy 5477	Arrow C100
	ASSA 65611	ASSA 65691	Corbin Russwin 2000-03
	Kaba 1539	Kaba 1599	Kaba Gemini 4730
	Kaba Peaks 1099	Marks	Medeco 20W200H1
	Sargent 10 Line	Schlage 23-001	Schlage Primus 20-760
	Australian: Kaba experT 107K5 & Boyd KC286		
	Interchangeable cores: Small format Best and compatibles (6 or 7-pin length)		
	Removable cores: Schlage, Medeco, ASSA, Yale (6-pin), and Corbin Russwin		

Electrical Features

Battery:	E5031 Series – batteries located in interior housing; provides quick and easy battery replacements for institutions Four AA batteries provide up to 180,000 cycles.
Indicators:	Audible and visual indicators; low battery visual indicator

E-Plex® 5000 Series

Lock Specifications (continued)

Installation

Door preparation:	Easily installs on wood or metal doors
No wiring:	Fully contained electronics module is located in front housing – can be quickly replaced in the field
Backset:	2 ¾" (70 mm) backset
Minimum stile requirement:	5" (127 mm)
Door thickness:	1 ⅜" (35 mm) to 2 ¼" (57 mm); preassembled to accommodate doors 1 ⅝" (41 mm) to 2" (51 mm); hardware kits included for thin & thick doors

Certifications and Testing

Accessibility standard:	Americans with Disabilities Act (ADA)
Fire rating:	Three-hour UL / ULC fire door rating
Durability:	ANSI / BHMA A156.2, Grade 1 compliant
Items supplied with lock:	Complete lock, latch, ASA and standard strikes, installation manual, operations manual, template, and required hardware
Additional items supplied with key-in-lever cylinder model only:	Includes Universal Kaba 1599 6-pin cylinder with tailpiece, four additional tailpieces, two nickel silver keys, spare cylinder retainer
Warranty:	Three-year built-in warranty counter

E-Plex® 5000 Series

Software Specifications

Communication

- Locks are programmed and audits downloaded using a handheld PDA (personal digital assistant)
- Communicates through infrared data transfer – requiring no dedicated cables or equipment – just point your PDA at the lock's transfer window
- Visual confirmations provided during data transfers
- PDA battery gauge used to quickly test lock's battery status – just point and click

Audit

- Lock records last 3,000 access events, including key override, to provide increased user accountability
- Audit information is downloaded to Excel spreadsheets for increased flexibility
 - Use spreadsheets for analyzing, sorting or printing data according to your needs – unlike the “canned” pre-programmed audits found in most access control systems

Authority Levels

- Five authority levels allow you to specify which users have access to various lock functions:
 - Each site is assigned one Master Level and one Communications (M-Unit) Level: the remaining 99 codes can be set to Manager, User, and Service levels
 - **Master** and **Manager** levels have authority to gain access to various lock functions
 - **Access User** level has authority to gain access only
 - **Service** level has authority to gain access once, or programmed for 1 to 24 hours – for service personnel, meeting rooms, and rental space
 - **Communications** (M-Unit) level has authority to program and audit without access to door

Operational Modes

- Flexible operational modes accommodate security needs during the business day
 - Combination (PIN) entry
 - Passage – can be toggled on and off at the lock – re-lock can be set for between 1 to 24 hours
 - Lockout

Customizable User Preferences

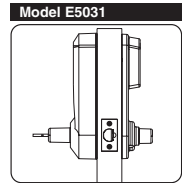
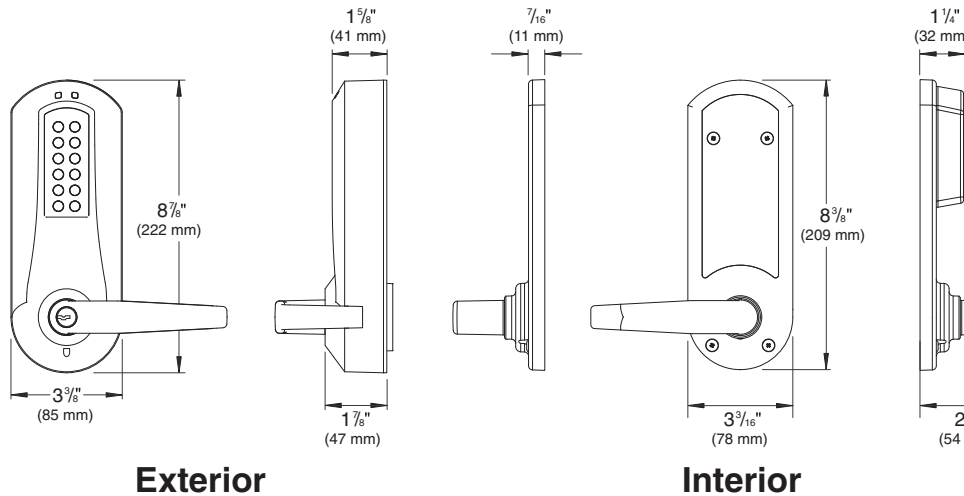
- Re-lock time – adjustable on a lock-by-lock basis from 2 to 20 seconds
- User code length – 4 to 8 digits
- Anti-tamper
 - Adjustable between 3 to 9 invalid attempts before anti-tamper feature disables lock
 - Lockout set for up to 90 seconds

Compatibility

Computer and processor:	Pentium class personal computer
Memory:	128 megabytes (MB) of RAM or greater
Hard Disk:	500 MB of available hard-disk space
Drive:	CD-ROM or DVD drive
Operating System:	Microsoft Windows 98SE, NT SP4, 2000, XP (not supplied) – visit www.e-plexlock.com for up-to-date listing
Microsoft Excel:	Excel 97 or newer software (not supplied)
Handheld PDA:	Palm Operating System 4.X or 5.X (not supplied) – visit www.e-plexlock.com for up-to-date listing

E-Plex® 5000 Series

Electronic Access Control



- Code Entry
- Key Override
- Batteries - in interior housing

E-Plex®

Example

E 5 0 3 1 X K W L - 6 2 6 - 4 1



Build the model number with the desired options

Model	Function	Locking Device	Key Override	Lever Style	Finishes	Packaging
E50 E-Plex 5000 Series Cylindrical lock	3 Batteries located in interior housing	1 1/2" (13 mm) throw latch floating face plate 2 3/4" (70 mm) backset 5 3/4" (19 mm) throw latch beveled face plate 2 3/4" (70 mm) backset	Removable Core Cylinders Compatible with removable core cylinders (not supplied) C Corbin/Russwin M* Medeco/ASSA/Yale (6-pin length) *5-pin Medeco cylinder requires a special knob spacer. Request spacer when ordering, part number 201569 (supplied free of charge) R Sargent S Schlage Interchangeable Core (not supplied) B Best & Compatibles (6 or 7-pin length) Key-In-Lever Cylinder XK Key-in-Lever Cylinder (cylinder included-Kaba keyway) XS Key-in-Lever Cylinder (cylinder included-Schlage keyway)	WL Winston Lever	626 Satin Chrome (26D) 606 Satin Brass (04) Lifetime finish 695 Duranodic (55) 605 Bright Brass (03) Lifetime finish 676 Black (19)	41 1 per box Locks shipped 4 per case

Items supplied with the lock

- Latch
- ASA strike
- Standard strike plate
- Installation Manual
- Operations Manual
- Full-scale template
- Spare inside/outside lever set screw
- Hardware required for thin and thick door installations

Additional items supplied with Key-in-Lever Cylinder model only

- Universal Kaba High Security 1599 6-pin cylinder with tailpiece
- Four additional tailpieces
- Two nickel silver keys
- Spare cylinder retainer



4000



4000 Series
Electronic Access Control Systems
Access Control at the touch of a button

Electronic Pushbutton Access Control

4000

Quickly improve control over who can have access to a room, and when.

- 4000 electronic locks replace your current door lock quickly and easily.
- Battery powered.
- No keycards or keys.
- Ideal for establishing restricted areas within a facility.
- Easy to install – no wiring.
- Easy to program – no computer required.
- Program access codes and set features at the lock with easy step-by-step instructions.



End the management nightmare and high cost of re-keying locks.

- Each user needs just one personal code for all their access needs.
- Add, remove or modify a user code in an instant.

Implement an easy-to-use system that people won't try to bypass in their regular daily tasks.

- 4000 locks are easier to operate than conventional locks.
- Features one-handed operation (enter 3 to 6 digit code, then turn lever).
- To increase security, assign unique code to each user.
- Increase user numbers by assigning same code to groups of users.
- Manage users' access efficiently with three security levels.



Minimize your operating costs.

- Easily replaceable AA batteries last up to 4 years or 100,000 openings on average.
- Extra-durable finishes stay beautiful with minimal maintenance.
- ANSI Grade 1 certification – the highest durability standard a lock can reach.

4000 Series

4000

54 different users or groups of users

Visible and audible indicators

Ultra finish

Satin Brass

Satin Chrome


Enter code then turn handle

Heavy duty housing (ANSI Grade 1) resists tampering

Key override accommodates major brands of interchangeable cores or key in lever type core

Clutch mechanism resists force without opening the door

4 Standard AA alkaline batteries

 Ergonomic lever handles (ADA compliant)



4000 Series

Cylindrical Lock



Description

The Kaba 4000 Series programmable electronic pushbutton lockset operates with a combination code using a numeric pushbuttons, eliminating the need for keys, cards and computers. There are 1 million possible combinations and a programmable tamper shutdown mode for a high level of security. The 4000 series features field-reversible handing, robust construction and attractive design. Its memory holds up to 54 different access codes, with three security levels. The lock is easy to program, and has many user-friendly features including Americans with Disabilities Act (ADA) compliant lever handles, a familiar and high quality pushbuttons, and dual sensory feedback (both audible and visible). Emergency access is granted by using a mechanical key override.

Applications

The 4000 Series lock easily replaces existing cylindrical or mortise door locks, and can be used alongside other access control systems. The 4000 Series is suitable for a moderate number of users or groups of users in an interior environment such as an office, or for exterior applications. It is also an ideal choice for limiting access to private areas in a public building, when a combination code rather than a keycard is desired. Typical installations include doors to restricted areas such as staff lounges and locker rooms, storerooms, office doors and residences.

System Benefits

- Increase security immediately and economically
- Installs in minutes
- No keys, cards, computers or wiring
- Access codes are easily changed
- Easy to operate, with no user training required

Security Features

- Up to 1 million possible combination codes
- Vandalism and attack resistant
- Tamper shutdown protection on illegal code guessing
- Emergency access by mechanical key override
- Can be integrated into an existing master key system
- Accepts major brands of removable cores

Low Maintenance

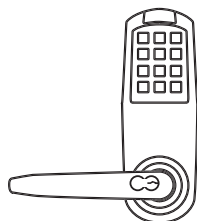
- Access codes are retained in memory even during battery replacement
- Heavy duty construction and resistant finish

4000 Series

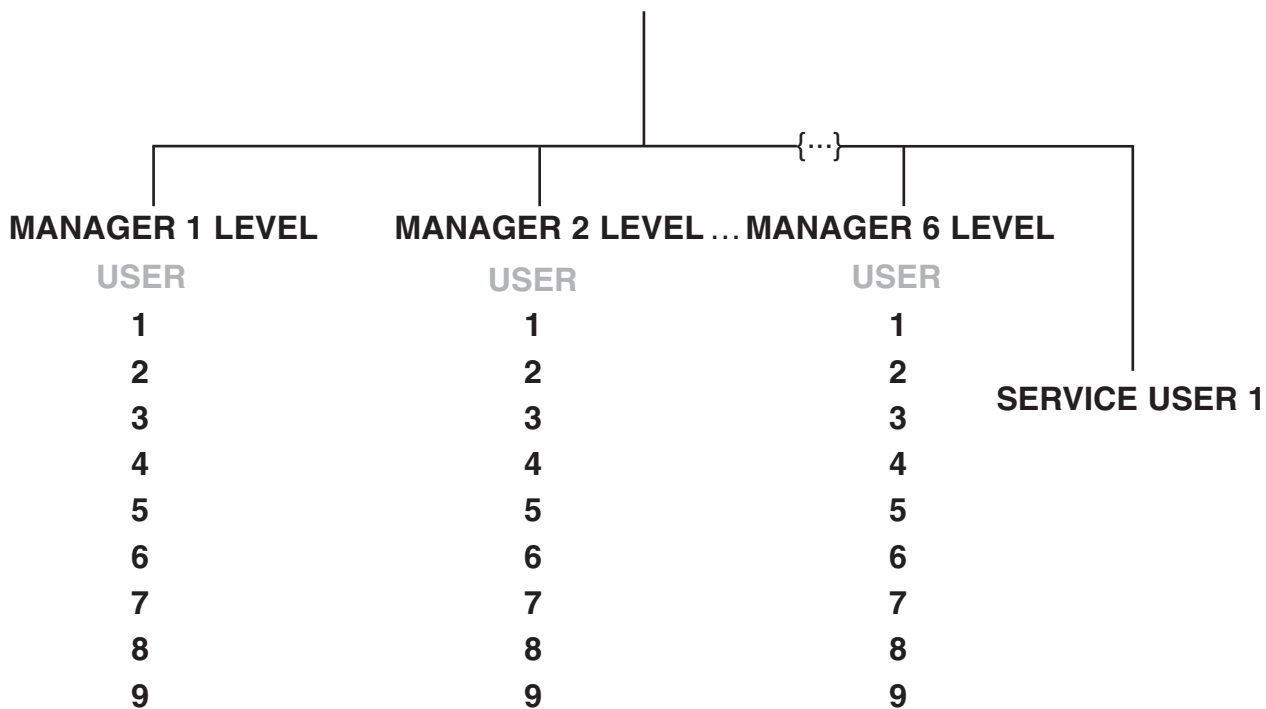
System Overview

The codes

The lock is operated with 3 to 6 digit access codes for up to 54 users (+1 service user), organized as 1 master level authorization code (8 digits) and 6 manager level authorization codes (7 digits), each with 9 different users or groups of users.



1 MASTER LEVEL



4000 Series

Lock Specifications

Mechanical Features

Description:	Heavy duty electronic lockset, cylindrical or mortise with clutch mechanism, activated by numeric combination code
Handing:	Left or Right factory handed
Door preparation:	Door preparation drawing and drilling template provided
Numeric keypad:	Vandal resistant, 12-button, metal keys
Weight:	8 lbs. (3.6 kg)
Lever type:	Short return levers available when moldings prevent the use of a full return lever
Mechanical key override:	In handle; removable core type; key in lever type (C type keyway)
Compatible removable cores:	Ilco 7-pin, ASSA 6-pin, Best 5,6,7-pin, Medeco 5,6-pin, Schlage 6-pin, Yale 6, 7-pin
Door thickness:	From 1 ³ / ₈ " to 2 ¹ / ₂ " (35 mm to 64 mm)
Standard finishes:	Satin Chrome (626)
Optional finishes:	Bright Brass (605), Dark Bronze (695), Bright Chrome (625), Satin Brass (606)

Electrical Features

Batteries:	4 x AA (alkaline type only), 100,000 openings or 4 years of battery life on average
Low battery:	Visible indicator

Lock Operation

Combination codes:	54 access codes, 3 to 6 digits per code out of 1 million possible codes
Programming:	Use the lock keypad
Feedback:	"Dual sensory" audible and visible indicators
Security levels:	1 master, 6 managers (each controlling 9 user codes) and 54 user codes + 1 service code controlled by managers and master
Tamper lockout:	Timed lockout after 4 invalid entry attempts. Programmable duration from 30 sec. to 15 min.
Emergency access:	Mechanical key override
Passage mode:	Electronic, set by master or manager level
Unlock time:	Adjustable from 1 to 20 seconds by master level
Buzzer volume:	Adjustable off/soft/loud by master level

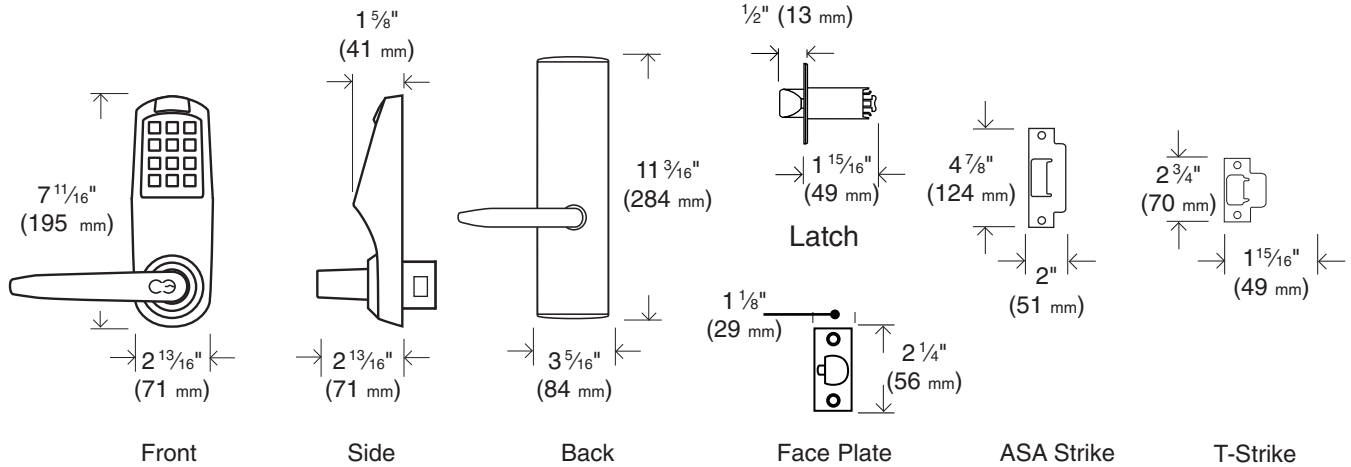
Certifications and Testing

Accessibility standard:	Americans with Disabilities Act (ADA)
Fire rating:	Meets UL 10B and ULC S-104; on fire door rated up to and including 3 hours
Environmental operating conditions:	Outside Housing: -31°F to 151°F (-35°C to 66°C) Inside Housing: 32°F to 120°F (0°C to 49°C)
Electronics:	FCC part 15 class A and CE directive 89/336/EEC compliant
Durability:	Lock meets requirements of ANSI 156.25 and Listed ANSI/BHMA A156.2

4000

Access Control Catalog - June 2004

4000 Series Cylindrical Lock



Example

L 4 1 5 3 B - 6 2 6 - 41

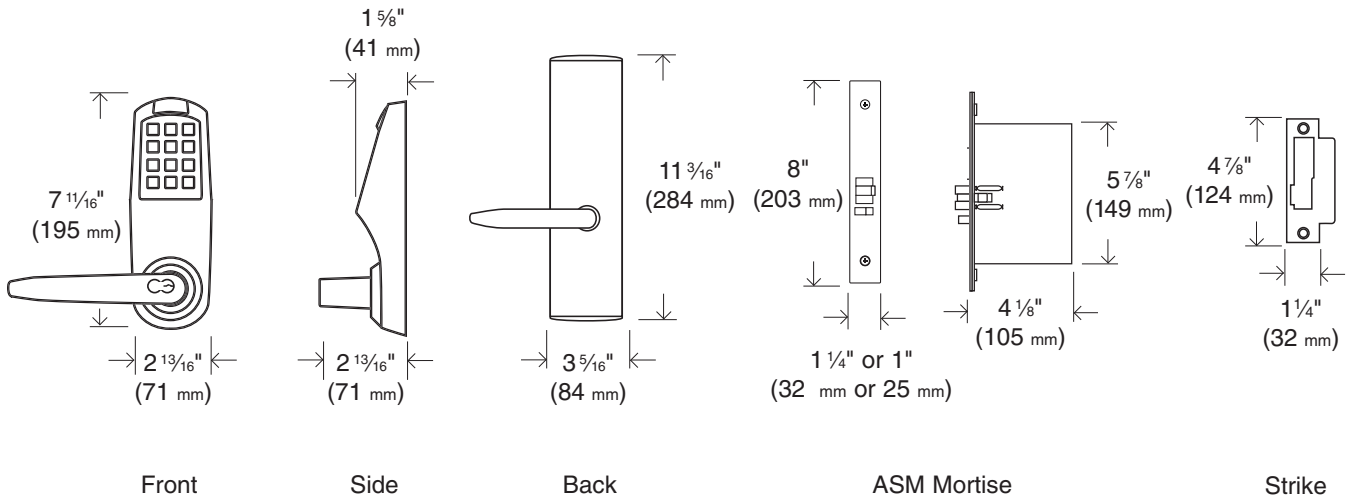


Build the model number with the desired options

Handing	Model	Door Thickness	Locking Device	Key Override	Finishes
L Left Hand or Left Hand Reverse	41 No deadbolt, No thumbturn	Standard Door	3 Latch 1/2" (13 mm) Backset 2 3/4" (70 mm)	Removable Core	Standard
R Right Hand or Right Hand Reverse		Thick Door			Best (5, 6, 7-pin)
		6 Over 2" (52 mm) to 2 1/8" (54 mm)		M Medeco Pin/ ASSA (5, 6-pin)	Optional 605 Bright Brass 625 Bright Chrome 606 Satin Brass
		4 Over 2 1/8" (54 mm) to 2 1/4" (57 mm)		S Schlage (6-pin)	
		7 Over 2 1/4" (57 mm) to 2 3/8" (60 mm)		Y Yale (7-pin)	
		9 Over 2 3/8" (60 mm) to 2 1/2" (64 mm)		U Ilco (7-pin) Z Yale (6-pin)	
				Key in Lever	
				K Type C keyway	

4000 Series

Standard Mortise (ASM) Lock



4000

Example

L
4
1
2
6
B
-
6
2
6
-
41

L 4 1 2 6 B - 6 2 6 - 41

Handing Model Door Thickness Locking Device Key Override Finish

Build the model number with the desired options

Handing	Model	Door Thickness	Locking Device	Key Override	Finishes
L Left Hand	41 Lock No deadbolt, No thumbturn	1 1 3/8" to 1 1/2" (35-38 mm)	6 ASM 1 1/4" (32 mm) face plate	Removable Core B Best (5, 6, 7-pin) M Medeco / ASSA (5, 6-pin) S Schlage (6-pin) Y Yale (7-pin) U Ilco (7-pin) Z Yale (6-pin)	Standard
R Right Hand		8 Over 1 1/2" to under 1 3/4" (39-43 mm)			8 ASM 1" (25 mm) face plate
X Left Hand Reverse		2 1 3/4" up to 2" (44-51 mm)	Key in Lever K Type C keyway		
Y Right Hand Reverse		6 Over 2" up to 2 1/8" (52-54 mm)			
		4 Over 2 1/8" up to 2 1/4" (55-57 mm)			
	7 Over 2 1/4" up to 2 3/8" (58-60 mm)				
	9 Over 2 3/8" up to 2 1/2" (61-64 mm)				




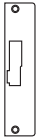


Access Control Catalog - June 2004

4000 Series Accessories

Standard Mortise (ASM) Strike

Solid brass.
Finishes match locks.

All strikes include dust boxes and mounting screws.
For strikes only, omit the "K" from the product number.

Strike Number	Handing	Finish	Part Number
*Standard 4 7/8" (124 mm)			
	Left Hand	Satin Brass	504131-606-K
	Right Hand	Satin Brass	504132-606-K
	Left Hand	Satin Chrome	504131-630-K
	Right Hand	Satin Chrome	504132-630-K
<i>* Proper strike included with the lock at no charge, unless otherwise specified. Non-creditable unless purchased separately.</i>			
Extended Lip 4 7/8" (124 mm)			
	Left Hand	Satin Brass	502815-606-K
	Right Hand	Satin Brass	502816-606-K
	Left Hand	Satin Chrome	502815-630-K
	Right Hand	Satin Chrome	502816-630-K
Long 6 3/4" (171 mm)			
	Left Hand	Satin Brass	502780-606-K
	Right Hand	Satin Brass	502781-606-K
	Left Hand	Satin Chrome	502780-630-K
	Right Hand	Satin Chrome	502781-630-K
Extra Long 8 1/2" (216 mm)			
	Left Hand	Satin Brass	506102-606-K
	Right Hand	Satin Brass	506103-606-K
	Left Hand	Satin Chrome	506102-630-K
	Right Hand	Satin Chrome	506103-630-K
AMM 12" (305 mm) Dust box not included			
	N/A	Satin Brass	041-507861-606K
	N/A	Stainless Steel	041-507861-630K
Smoke Seal 4 7/8" (124 mm) Dust Box not included.			
	Left Hand	Satin Brass	041-508275-606K
	Right Hand	Satin Brass	041-508276-606K
	Left Hand	Stainless Steel	041-508275-630K
	Right Hand	Stainless Steel	041-508276-630K

4000 Series Accessories

Cylindrical Unit Strike



Strike 2 3/4" (70 mm)
(Dust box not included)

Satin Brass	505250-606-K
Satin Chrome	505250-626-K



4 7/8" Strike (124 mm)
(Dust box not included)

Satin Brass	204119-606-K
Satin Chrome	204119-626-K

Allen Keys



Allen Key 1/8" (3 mm) for inside housing lever screw
Allen Key 5/64" (2 mm) for battery cover and medallion screw
Hex Driver 5/64" (2 mm)

138-507933
138-507930
138-507957



Weatherproof Kits

Solitaire 850L, 850 and 950
Aerosol grease, outside gasket, inside gasket,
reader cable gasket

062-509009

Demo Units

Wood Mount for Lock

All wooden mounts are pre-cut and require some assembly. They are available in one finish.

Item	Description	Part Number
4000 Series Cylinder		050-509720-03LN
4000 Series Mortise		050-509720-01LN
Must use with dress plate 061-509721-XXX (order separately)		

Mounted Demo

Demo units are mounted on wooden T-stands and include one removable core with control key and change key.

Item	Description	Part Number
Series 4000	Order lock and wood mount separately	

