

Gâches électriques

A p r i o r t a e l e t t r i c i

# Elektro-Türöffner

Electric strikes

Cerraderos eléctricos

ANSI ELECTRIC STRIKES





2

Breaking new grounds, making use of new technologies, developing new ideas. Founded in 1936, the company effeff from Albstadt became the market leader in the field of door control systems by following a consistent strategy. After starting the electric strike production in 1947, a comprehensive product range has been gradually developed, which enables effeff to offer suitable solutions for every door.

February 1st, 2000, effeff joined the ASSA ALBOY Group based in Stockholm, Sweden. ASSA ABLOY is the leading manufacturer and supplier of mechanical and electromechanical locks and related products worldwide.



Airport Hamburg



Old Opera, Frankfurt



effeff's customers now profit from the group's wide know-how, offering everything for total security and comfort throughout the world.

With worldwide sales activities in more than 75 countries and with high experience make effeff – the expert for electromechanical security – a reliable and competent partner in all areas. The company attaches great importance to customer orientation and service.

**Whatever you want to safeguard, protect, preserve – effeff offers the right solution!**



British embassy, Berlin



Lake Constance thermae, Überlingen



# TABLE OF CONTENTS

SEEK AND FIND!

## ELECTRIC STRIKES WITHOUT FACE PLATE

Model 76-17, 76-37, 76-17RR, 76-37RR . . . . .	6
Model 76-14, 76-34. . . . .	7
Model 76-54 "PENTA". . . . .	8
Model 76-142, 76-342 . . . . .	9
Model 76-142P (fire-rated), 76-342P. . . . .	10
Model 76-15, 76-35. . . . .	11

<b>FACE PLATES . . . . .</b>	<b>12/13</b>
------------------------------	--------------

## ELECTRIC STRIKES WITH FACE PLATE

Model 76-131, 76-331 . . . . .	14
Model A01, A03, A04 . . . . .	15
Model 76-70, 76-71 . . . . .	16/17
Model 76-45. . . . .	18
Model 15CA, 15BS, 11BS . . . . .	19
Model 351U . . . . .	20
Model 914, 934 . . . . .	21
Model 9314, 9334. . . . .	22

## ELECTRIC BOLTS

Model 843. . . . .	23
--------------------	----

## CABINET LOCKS

Model 1048, 1049 . . . . .	24/25
----------------------------	-------

## MAGNETS

Micro-Magnets 330 lbs . . . . .	26
Mini-Magnets 675 lbs . . . . .	27
Standard Magnets 1125 lbs. . . . .	28
Shear Magnets 1280 lbs / 3300 lbs. . . . .	29

## ACCESSORIES

Exit buttons, Power transmitters . . . . .	30
Power transmitters . . . . .	31/32
Door contacts . . . . .	33
Mounting Kit. . . . .	34

<b>NOTES . . . . .</b>	<b>35/36</b>
------------------------	--------------

<b>ORDER FORM . . . . .</b>	<b>37</b>
-----------------------------	-----------

<b>PRODUCT OVERVIEW . . . . .</b>	<b>38/39</b>
-----------------------------------	--------------

# ELECTRIC STRIKES

MODEL 76-17

UL 1034 GRADE 3

## Models 76-17, 76-37, 76-17RR, 76-37RR

Designed with an adjustable keeper to simplify the installation. The latch cavity accommodates cylindrical locksets with a 1/2" to 5/8" throw (5/8" requires 1/8" door gap) in metal, wood or aluminum frames.

### Features:

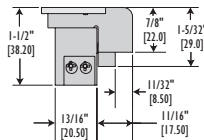
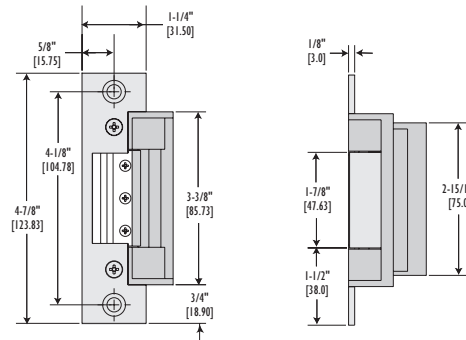
- BHMA Grade 3
- UL 1034 Burglary Resistant
  - 1,000 lbs. Static strength
  - 33 ft.-lbs. Dynamic strength
- Endurance rating 500,000 UL-tested, 1,000,000 factory tested
- Strike depth – 1–1/2"
- Adjustable keeper
- Fail secure or fail safe
- Fully reversible for right or left-hand doors
- Continuous duty operation (DC)
- Specify AC or DC
- Latch monitoring (optional)
- Mounting Kit
- 5 years limited warranty
- Six faceplate options

### Applications

- Commercial Centers
- Industrial Buildings
- Educational Facilities
- Retail Outlets
- Health Care Institutions
- Office Complexes



### 6 Face Plate Options (page 12-13)



Face plate 876

Order number	Fail secure	Fail safe	Latch Monitoring	8-16 V AC/DC	12V DC	24V DC	striking plates
76-17-----R11	x			x			page 12-13
76-17-----E41	x				x		page 12-13
76-17-----F41	x					x	page 12-13
76-17RR-----R11	x		x	x			page 12-13
76-17RR-----E41	x		x		x		page 12-13
76-17RR-----F41	x		x			x	page 12-13
76-37-----E91		x			x		page 12-13
76-37-----F91		x				x	page 12-13
76-37RR-----E91		x	x		x		page 12-13
76-37RR-----F91		x	x			x	page 12-13

Electrical Specifications:	Current on AC (mA)	Current on DC (mA)
R1 8-16V (8V)	310	360
R1 8-16V (16V)	620	730
E4 12V		270
F4 24V		120
E9 12V fail safe		235
F9 24V fail safe		150

# ELECTRIC STRIKES

UL 1034 GRADE 2

MODEL 76-14

## Models 76-14, 76-34

Designed for medium-duty applications. Deep latch cavity accommodates cylindrical locksets with a 5/8" to 3/4" throw (3/4" requires 1/8" door gap) in hollow metal frames. Use with Narrowline Aluminum Locks, Cylindrical Locks, Centerline Mortise Locks, Centerline Mortise Exit Devices



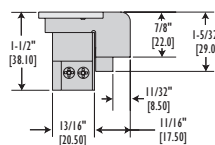
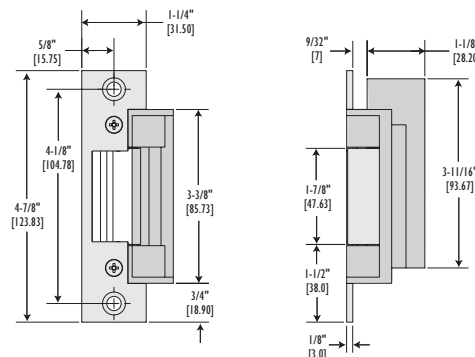
### Features:

- BHMA Grade 2
- UL 1034 Burglary Resistant
  - 1,500 lbs. Static strength
  - 50 ft-lbs. Dynamic strength
  - Endurance rating 500,000 UL-tested, 1,000,000 factory tested
- Strike depth — 1-1/2"
- Fail secure or fail safe
- Fully reversible for right or left-hand doors
- Continuous duty operation (DC)
- Mounting Kit
- 5 years limited warranty
- Six faceplate options

### Applications

- Commercial Centers
- Industrial Buildings
- Educational Facilities
- Retail Outlets
- Health Care Institutions
- Office Complexes

### 6 Face Plate Options (page 12-13)



Face plate 876

Order number	Fail secure	Fail safe	Monitoring	8-16 V AC/DC	12V DC	24V DC	striking plates
76-14-----R1I	x			x			page 12-13
76-14-----E3I	x				x		page 12-13
76-14-----F3I	x					x	page 12-13
76-34-----E9I		x			x		page 12-13
76-34-----F9I		x				x	page 12-13

Electrical Specifications:	Current on AC (mA)	Current on DC (mA)
R1 8-16V (8V)	350	485
R1 8-16V (16V)	700	970
E3 12V	125	200
F3 24V	70	102
E9 12V fail safe		195
F9 24V fail safe		105

# ELECTRIC STRIKES

MODEL 76-54

UL 1034 GRADE I

## Model 76-54 "PENTA"

Designed for heavy-duty applications, the all-in-one PENTA offers dual voltage and field selectable fail secure/fail safe operation. Deep latch cavity accommodates cylindrical locksets with a 5/8" to 3/4" throw (3/4" requires 1/8" door gap) in metal, wood or aluminum frames.

### Features:

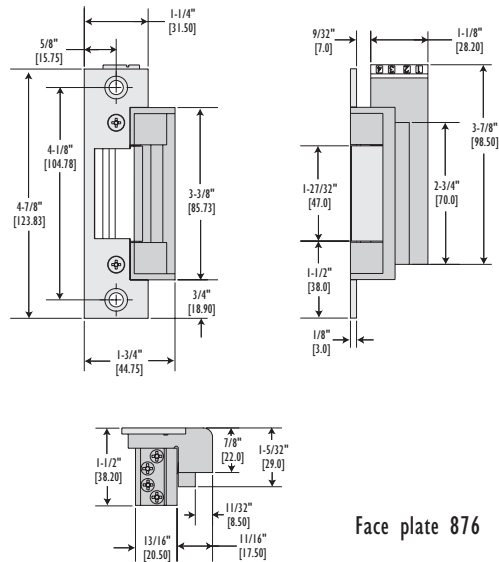
- BHMA Grade I
- UL 1034 Burglary Resistant
  - 1,500 lbs. Static strength
  - 70 ft-lbs. Dynamic strength
  - Endurance rating 500,000 UL-tested, 1,500,000 factory tested
- Strike depth – 1-1/2"
- Field selectable fail secure/fail safe
- Dual voltage 12/24 VAC or VDC
- Fully reversible for right or left-hand doors
- Continuous duty operation (DC)
- Mounting Kit
- 5 years limited warranty
- Six faceplate options

### Applications

- Commercial Centers
- Industrial Buildings
- Educational Facilities
- Retail Outlets
- Health Care Institutions
- Office Complexes



### 6 Face Plate Options (page 12-13)



Face plate 876

Order number	Fail secure	Fail safe	Monitoring	8-16 V AC/DC	12V DC	24V DC	striking plates
76-54-----Q4I	x	x			x	x	page 12-13

Electrical Specifications:	Current on AC (mA)	Current on DC (mA)
Q4 12V	210	220
Q4 24V	100	110



# ELECTRIC STRIKES

UL 1034 GRADE I

MODEL 76-142

## Model 76-142 (fire-rated)

### Model 76-342

Electric strike designed for use in heavy-duty applications. Accommodates cylindrical locksets with a 5/8" to 3/4" throw (3/4" requires 1/8" door gap) in aluminum, wood or metal frames. Use with Centerline Mortise Exit Devices, Cylindrical or Centerline Mortise Locks.

### Features:

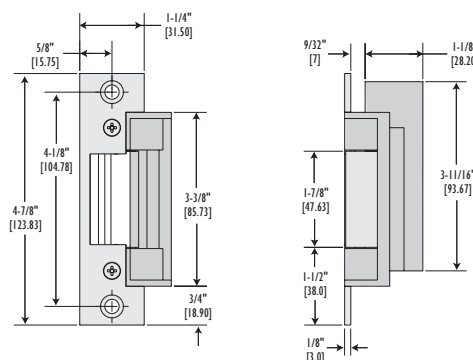
- BHMA Grade I
- UL 1034 Burglary Resistant
- UL 10C and Warnock Hersey (90 min.) only fail secure version
- Dual voltage 12/24 VAC or VDC
  - 1,500 lbs. Static strength
  - 70 ft-lbs. Dynamic strength
- Heavy duty construction
  - Endurance rating 500,000 UL-tested, 1,500,000 factory tested
- Strike depth — 1-1/2"
- Fail secure or fail safe
- Fully reversible for right or left-hand doors
- Continuous duty operation (DC)
- Latch monitoring (optional)
- Mounting Kit
- 5 years limited warranty
- Six faceplate options

### Applications

- Fire rated doors
- Commercial Centers
- Industrial Buildings
- Educational Facilities
- Retail Outlets
- Health Care
- Office Complexes



### 6 Face Plate Options (page 12-13)



Face plate 876

Electrical Specifications:	Current on AC (mA)	Current on DC (mA)
Q3 12V	130	210
Q3 24V	70	105

Order number	Fail secure	Fail safe	Monitoring	8-16 V AC/DC	12V DC	24V DC	UL 10 C fire rated	striking plates
76142UF----Q34	x				x	x	x	page 12-13
76142UR----Q34	x		x		x	x	x	page 12-13
76342UF----Q94		x			x	x		page 12-13

# ELECTRIC STRIKES

MODEL 76-142P

UL 1034 GRADE I

## Model 76-142P (fire rated)

### Model 76-342P

Electric strike designed for use in heavy-duty in potential explosive environments applications. Accommodates cylindrical locksets with a 5/8" to 3/4" throw (3/4" requires 1/8" door gap) in aluminum, wood or metal frames. Use with Centerline Mortise Exit Devices, Cylindrical or Centerline Mortise Locks

#### Features:

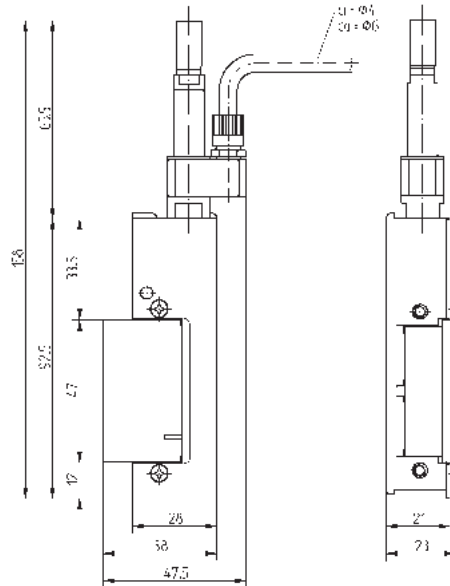
- BHMA Grade I
- UL 1034 Burglary Resistant
- UL 10C and Warnock Hersey (90 min.) only fail secure version
  - 1,500 lbs. Static strength
  - 70 ft-lbs. Dynamic strength
- Heavy duty construction
  - Endurance rating 500,000 UL-tested, 1,500,000 factory tested
- Strike depth - 1-1/2"
- Fail secure or fail safe
- Fully reversible for right or left-hand doors
- Mounting Kit
- 5 years limited warranty
- Six faceplate options

#### Applications

- Fire rated doors
- Explosive areas
- Commercial Centers
- Industrial Buildings
- Educational Facilities
- Retail Outlets
- Health Care
- Office Complexes



#### 6 Face Plate Options (page 12-13)



Order number	Fail secure	Fail safe	Monitoring	8-16 V AC/DC	12V DC	24V DC	UL 10 C fire rated	striking plates
76-142P-----01	x			air	air	air	x	page 12-13
76-342P-----01		x		air	air	air		page 12-13

# ELECTRIC STRIKES

UL 1034 GRADE 2

MODEL 76-15

## Model 76-15, 76-35

Designed for medium-duty applications. Deep latch cavity accommodates cylindrical locksets with a 5/8" to 3/4" throw (3/4" requires 1/8" door gap) in wood or hollow metal frames. The narrow-style keeper provides extra space for locks with auxiliary latchbolt.

### Features:

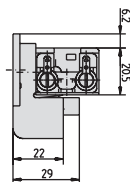
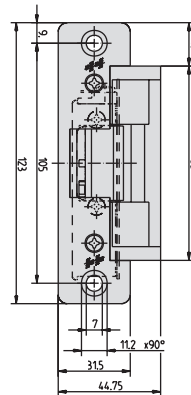
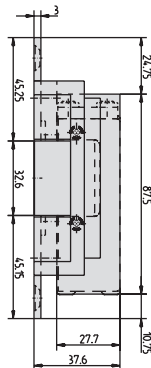
- BHMA Grade 2
- UL 1034 Burglary Resistant  
1,500 lbs. Static strength  
50 ft-lbs. Dynamic strength  
Endurance rating 500,000 UL-tested, 1,000,000 factory tested
- Strike depth - 1-1/2"
- Fail secure or fail safe
- Fully reversible for right or left-hand doors
- Continuous duty operation (DC)
- Mounting Kit
- 5 years limited warranty
- Five faceplate options

### Applications

- Commercial Centers
- Industrial Buildings
- Educational Facilities
- Retail Outlets
- Health Care Institutions
- Office Complexes



### 5 Face Plate Options (page 12-13)



Face plate 870

Order number	Fail secure	Fail safe	Monitoring	8-16 V AC/DC	12V DC	24V DC	striking plates
76-15-----R11	x			x			page 12-13
76-15-----E31	x				x		page 12-13
76-15-----F31	x					x	page 12-13
76-35-----E91		x			x		page 12-13
76-35-----F91		x				x	page 12-13

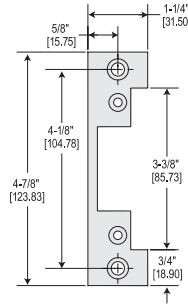
Electrical Specifications:	Current on AC (mA)	Current on DC (mA)
R1 8-16V (8V)	350	485
R1 8-16V (16V)	700	970
E3 12V	125	200
F3 24V	70	102
E9 12V fail safe		195
F9 24V fail safe		105

# FACE PLATES

## FACE PLATES

### Face plates 870, 876, 473 (Dimensions: 4-7/8" x 1-1/4")

For use with cylindrical locksets in ANSI metal frames with square corners and a flat face plate.



### Face plates 871, 877, 474 (Dimensions: 4-7/8" x 1-1/4")

For use with cylindrical locksets in aluminum frames with radius corners and a flat face plate.

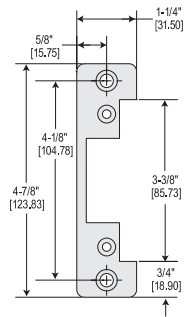


plate order number	76-15 76-35	76-17 76-37	76-14 76-34	76-54	76-142 76-142P	76-342 76-342P
-----87035-01	x					
-----87135-01	x					
-----87235-01	x					
-----87335-01	x					
-----87435-01	x					
-----87635-01		x	x	x		x
-----87735-01		x	x	x		x
-----87835-01		x	x	x		x
-----87935-01		x	x	x		x
-----88035-01		x	x	x		x
-----88235-01		x	x	x		x
-----47335-01					x	
-----47435-01					x	
-----47535-01					x	
-----47635-01					x	
-----47735-01					x	
-----48135-01					x	

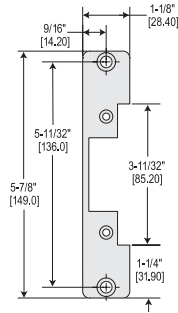
### Finishes

- Satin Stainless Steel (Standard)
- others on request

# FACE PLATES

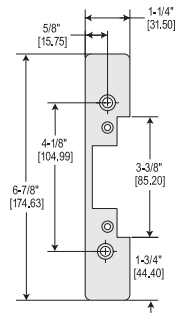
**Face plates 872, 878, 475**  
**(Dimensions: 5-7/8" x 1-1/4")**

For use with cylindrical locksets in aluminum frames with radius corners and a flat face plate.



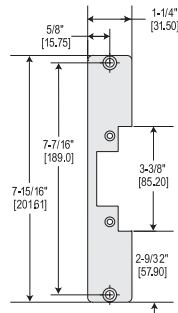
**Face plates 873, 879, 476**  
**(Dimensions: 6-7/8" x 1-1/4")**

For use with cylindrical locksets in aluminum frames with radius corners and a flat face plate.



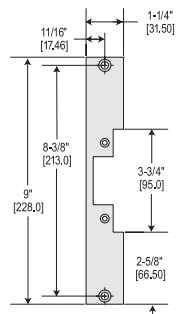
**Face plates 874, 880, 477**  
**(Dimensions: 7-15/16" x 1-7/16")**

For use with cylindrical locksets in wood or aluminum frames with radius corners and a flat face plate.



**Face plates 882, 481**  
**(Dimensions: 9" x 1-3/8")**

For use with cylindrical locksets in wood or metal frames with square corners and a flat face plate.



**Finishes**

- Satin Stainless Steel (Standard)
- others on request

# ELECTRIC STRIKES

MODEL 76-131

UL 1034 GRADE I

## Model 76-131, 76-331

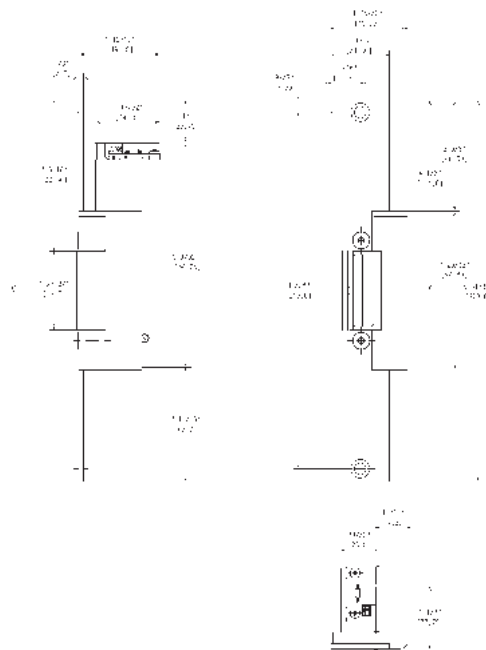
Designed to release under extreme pre-load conditions and accommodates. Cylindrical locksets with up to 3/4" throw.

### Features:

- BHMA Grade I
- UL 1034 Burglary Resistant
- Extreme heavy duty construction
- Fail secure or fail safe
  - 1100 lbs. Preload 76-331
  - 220 lbs. Preload 76-131
- Fully reversible for right or left-hand doors
- Continuous duty operation (DC)
- Latch monitoring (optional)
- Locked monitoring (optional)
- Mounting Kit
- 5 years limited warranty

### Finishes

- Satin Stainless Steel
- others on request



Order number	Fail secure	Fail safe	Monitoring	8-16 V AC/DC	12V DC	24V DC
76-131-50935E31	x				x	
76-131-50935F31	x					x
76131RR50935E31	x		x		x	
76131RR50935F31	x		x			x
76-331-50935E91		x			x	
76-331-50935F91		x				x
763318050935E91		x	x		x	
763318050935F91		x	x			x

Electrical Specifications:	Current on AC (mA)	Current on DC (mA)
E3 12V	160	285
F3 24V	70	140
E9 12V fail safe		320
F9 24V fail safe		160



# ELECTRIC STRIKES

MODEL 76-70

UL 1034 GRADE I

## Model 76-70, 76-71

Heavy-duty, offset electric strike accommodates cylindrical and mortise locksets with up to a 3/4" throw in metal or wood frames. Latchbolt monitor optional. Use with Cylindrical Locks and Centerline Mortise Locks with or w/o death bolts.

"Allows use with wide range of door thicknesses (1-3/8" to 2-3/4)".

### Features:

- BHMA Grade I
- UL 1034 Burglary Resistant
- Stainless steel - heavy duty construction
- Strike depth - 1-7/8"
  - 1,500 lbs. Static strength
  - 70 ft-lbs. Dynamic strength
- Endurance rating 500,000 UL-tested, 1,000,000 factory tested
- Custom death bolt cut out
- Adjustable keeper
- Fail secure or fail safe

Electrical Specifications:	Current on AC (mA)	Current on DC (mA)
E4 12V		270
F4 24V		120
E9 12V fail safe		235
F9 24V fail safe		150

- Continuous duty operation (DC)
- Latch monitoring (optional)
- Mounting Kit
- 5 years limited warranty
- Six faceplate options

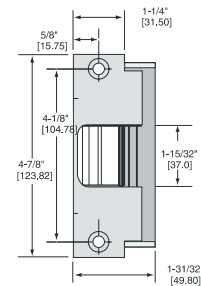
### Finishes

- Satin Stainless Steel
- others on request

16

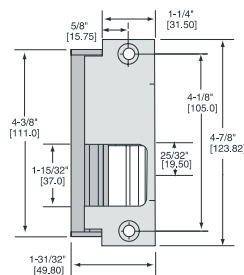
### For 3/4" centerline latchbolts

Order number	Fail secure	Fail safe	Monitoring	8-16 V AC/DC	12V DC	24V DC
76-70--93135E4I	x				x	
76-70--93135F4I	x					x
76-70RR93135E4I	x		x		x	
76-70RR93135F4I	x		x			x
76-71--93135E9I		x			x	
76-71--93135F9I		x				x
76-71RR93135E4I		x	x		x	
76-71RR93135F9I		x	x			x



### For 13/16" offset latchbolts, left hand

Order number	Fail secure	Fail safe	Monitoring	8-16 V AC/DC	12V DC	24V DC
76-70--93235E4I	x				x	
76-70--93235F4I	x					x
76-70RR93235E4I	x		x		x	
76-70RR93235F4I	x		x			x
76-71--93235E9I		x			x	
76-71--93235F9I		x				x
76-71RR93235E9I		x	x		x	
76-71RR93235F9I		x	x			x





# ELECTRIC STRIKES

UL 1034 GRADE I

MODEL 76-70

## For 1 3/16" offset latchbolts, right hand

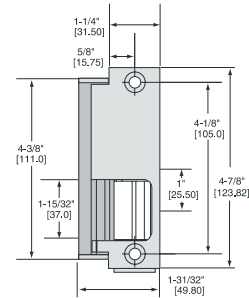
Order number	Fail secure	Fail safe	Monitoring	8-16 V AC/DC	12V DC	24V DC
76-70--93335E4I	x				x	
76-70--93335F4I	x					x
76-70RR93335E4I	x		x		x	
76-70RR93335F4I	x		x			x
76-71--93335E9I		x			x	
76-71--93335F9I		x				x
76-71RR93335E9I		x	x		x	
76-71RR93335F9I		x	x			x



Reversed image as LH version before.

## For 1-1/16" offset latchbolts, left hand

Order number	Fail secure	Fail safe	Monitoring	8-16 V AC/DC	12V DC	24V DC
76-70--93435E4I	x				x	
76-70--93435F4I	x					x
76-70RR93435E4I	x		x		x	
76-70RR93435F4I	x		x			x
76-71--93435E9I		x			x	
76-71--93435F9I		x				x
76-71RR93435E9I		x	x		x	
76-71RR93435F9I		x	x			x



## For 1- 1/16" offset latchbolts, right hand

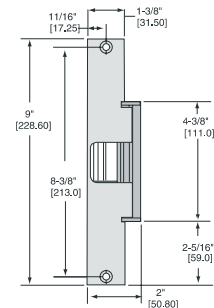
Order number	Fail secure	Fail safe	Monitoring	8-16 V AC/DC	12V DC	24V DC
76-70--93535E4I	x				x	
76-70--93535F4I	x					x
76-70RR93535E4I	x		x		x	
76-70RR93535F4I	x		x			x
76-71--93535E9I		x			x	
76-71--93535F9I		x				x
76-71RR93535E9I		x	x		x	
76-71RR93535F9I		x	x			x



Reversed image as LH version before.

## For 3/4" centerline latchbolts long

Order number	Fail secure	Fail safe	Monitoring	8-16 V AC/DC	12V DC	24V DC
76-70--94235E4I	x				x	
76-70--94235F4I	x					x
76-70RR94235E4I	x		x		x	
76-70RR94235F4I	x		x			x
76-71--94235E9I		x			x	
76-71--94235F9I		x				x
76-71RR94235E4I		x	x		x	
76-71RR94235F9I		x	x			x



# ELECTRIC STRIKES

MODEL 76-45

UL 1034 GRADE 2

## Model 76-45

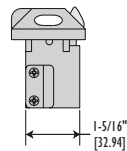
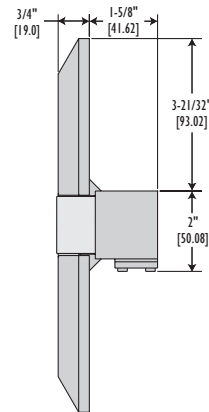
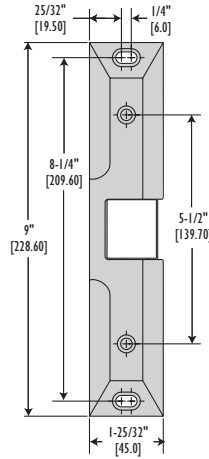
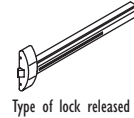
Designed for rim or surface mounted exit devices in wood or metal frames. Accommodates all Pullman type latches with up to a 3/4" throw. Offers horizontal adjustment for proper alignment.

### Features:

- BHMA Grade 2
- UL 1034 Burglary Resistant  
1,500 lbs. Static strength  
50 ft-lbs. Dynamic strength  
Endurance rating 500,000 UL-tested, 1,000,000 factory tested
- Fail secure
- Fix Horizontal adjustment
- Fully reversible for right or left-hand doors
- Continuous duty operation (DC)
- Mounting Kit
- 5 years limited warranty

### Finishes

- gray
- others on request



Order number	Fail secure	Fail safe	Monitoring	8-16 V AC/DC	12V DC	24V DC
76-45--91191E31	x				x	
76-45--91191F31	x					x

Electrical Specifications:	Current on AC (mA)	Current on DC (mA)
E3 12V	150	200
F3 24V	70	110

# ELECTRIC STRIKES

## MODEL 15CA, 15 BS, 11BS

### Model 15CA, 15BS, 11BS

Ideal for light-duty applications with cylindrical locksets with a 1/2" to 5/8" throw (5/8" requires 1/8" door gap) in metal, wood or aluminum frames.

#### Features:

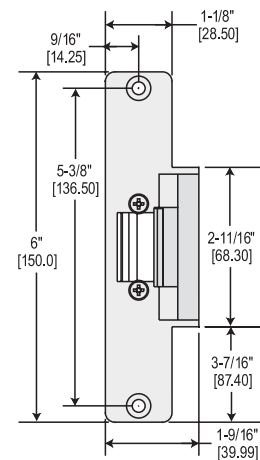
- For use with offset and cylindrical locksets
- Fail secure or fail safe
- Continuous duty operation (DC)
- Fully reversible for right or left-hand doors
- 5 years limited warranty
- Latch monitoring (optional)

### Model 15CA

(Face plate dimensions: 5-7/8" x 1-1/4")

Finish: gray

Order number	Fail secure	Fail safe	Monitoring	8-16 V AC/DC	12V DC	24V DC
15AV---37829E3I	x				x	
15AV---37829F3I	x					x
15RRV--37829E3I	x		x		x	
15RRV--37829F3I	x		x			x
35AV---37829E9I		x			x	
35AV---37829F9I		x				x
35RRV--37829E9I		x	x		x	
35RRV--37829F9I		x	x			x

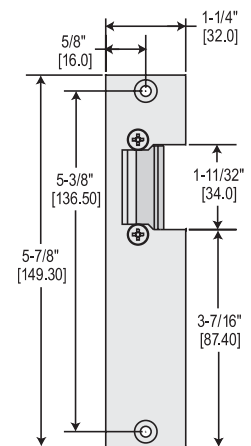


### Model 15BS

(Face plate dimensions: 5-7/8" x 1-1/4")

Finish: zinc plated

Order number	Fail secure	Fail safe	Monitoring	8-16 V AC/DC	12V DC	24V DC
15.23--08940R1I	x			x		
15.23--08940E3I	x				x	
15.23--08940E3I	x					x



### Model 11BS

(Face plate dimensions: 3-1/2" x 1-3/8")

Finish: zinc plated

Order number	Fail secure	Fail safe	Monitoring	8-16 V AC/DC	12V DC	24V DC
11.611-08540R1I	x			x		
11.611-08540E3I	x				x	
11.611-08540E3I	x					x



# ELECTRIC STRIKES

## MODEL 351U

### Model 351U

#### Features:

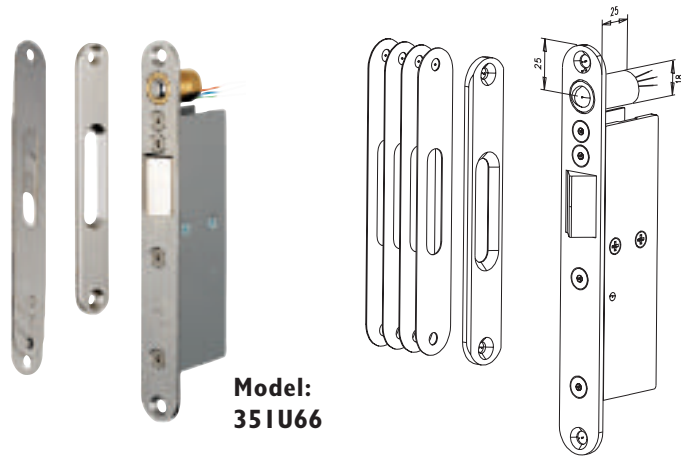
- The locking prism is held in the locking position by means of spring power. When closing the door, the prism latches into the striking plate.
- Application of current to the stroke arrests the prism and the door is locked.
- In models with integrated door contact, activation of the locking function can be restricted to the "Door shut" status, controlled via the door contact.
- The integrated armature contact (25V/I A) can be used for electronic monitoring of the locking status.
- System requirement: Swing door closer with adjustable closing power and closing speed for reliable positioning of the door leaf in the ready-to-lock status.
- Keep pre-load max.: 1.100 lbs
- Break-in resistance: 1.100 lbs
- Mounting distance between face plate and striking plate 3 mm (min. 2 mm, max. 4.5 mm)
- 5 years limited warranty
- 4 Adhesive spacers

#### Accessories:

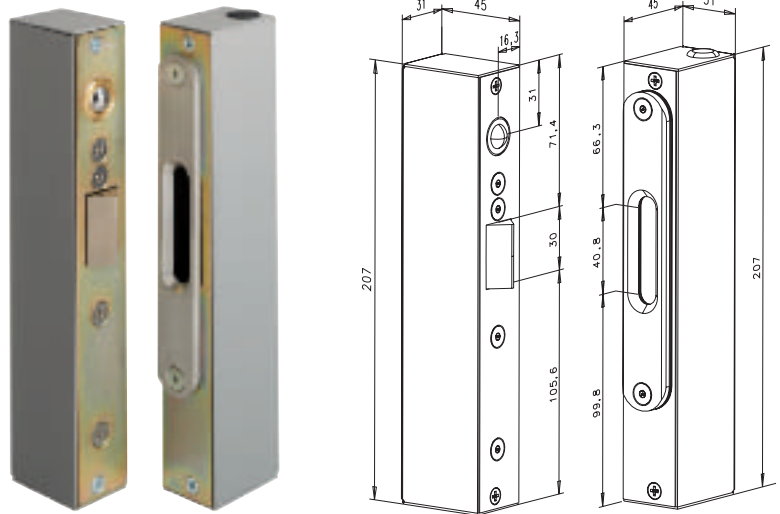
#### Surface housing stainless steel

Order No.

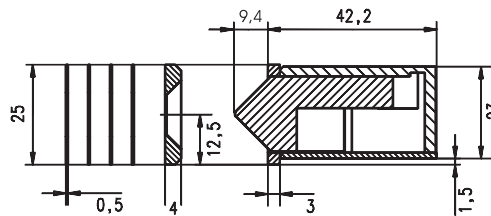
-----A0535-01



Model:  
351U66



Model:  
A05



Order number	Fail secure	Fail safe	Monitoring	8-16 V AC/DC	12V DC	24V DC
351U66-80135E91		x	x		x	
351U66-80135F91		x	x			x

Electrical Specifications:	Current on AC (mA)	Current on DC (mA)
E9 12V fail safe		320
F9 24V fail safe		160

# ELECTRIC STRIKES

FOR FULL-GLASS DOORS

MODEL 914, 934

## Model 914,934

For Tempered Glass Doors with Wood, Aluminum, or Metal Frames

Glass thickness 1/2" (others on request)

No prep required for glass

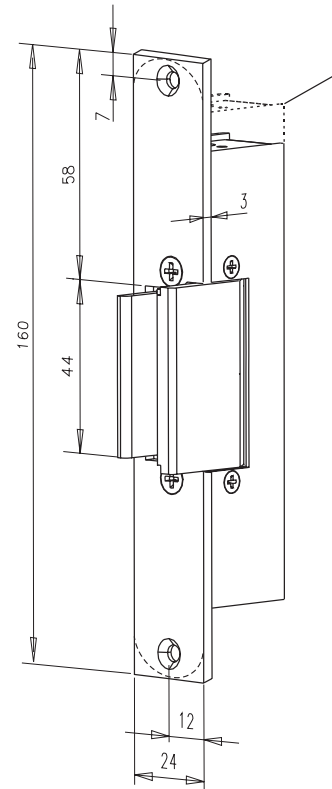
### Features:

- Fail secure or fail safe
- Continuous duty operation (DC)
- 5 years limited warranty
- Latch monitoring (optional)
- 12 or 24 VDC
- Use on single or pairs (requires two locks) of glass doors with frames around the opening

Nonhanded.

The glass doors strikes awaits in the open position to encapsulate the door upon closure. The built-in shock-absorbing function of the glass door strike ensures a gentle closing and locking action.

- Fully reversible for right or left-hand doors



Order number	Fail secure	Fail safe	Monitoring	8-16 V AC/DC	12V DC	24V DC
914--1240335E3I	x				x	
914--1240335F3I	x					x
934--1240335E9I		x			x	
934--1240335F9I		x				x
914RR1240335E3I	x				x	
914RR1240335F3I	x					x
934RR1240335E9I		x			x	
934RR1240335F9I		x				x

Electrical Specifications:	Current on AC (mA)	Current on DC (mA)
E3 12V	125	200
F3 24V	70	102
E9 12V fail safe		195
F9 24V fail safe		105

# ELECTRIC STRIKES

MODEL 9314, 9334

FOR FULL-GLASS DOORS

## Model 9314VGL, 9334VGL

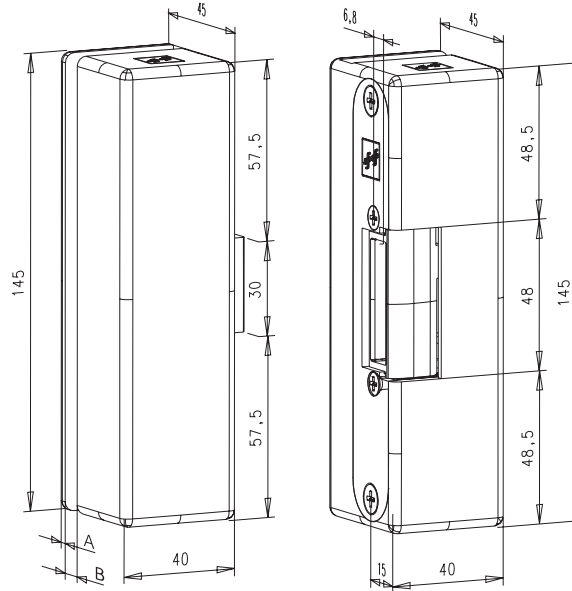
For Tempered Glass Doors without frames

Glass thickness 1/2" (others on request)

No prep required for glass doors (slotted housing adheres to glass surface)

### Features:

- Fail secure or fail safe
- Continuous duty operation (DC)
  - Extruded aluminum housing
  - Adhesive glue included
  - Use on single or pairs (requires two locks) of glass doors with glass side or transom panels
- Fully reversible for right or left-hand doors
  - The Cushion-Lok awaits in the open position to encapsulate the door upon closure. The built-in shock-absorbing function of the Cushion-Lok ensures a gentle closing and locking action
- 5 years limited warranty
- Minimum door gap 6 mm



Order number	Fail secure	Fail safe	Monitoring	8-16 V AC/DC	12V DC	24V DC
9314VGL12---E3I	x				x	
9314VGL12---F3I	x					x
9334VGL12---E9I		x			x	
9334VGL12---E9I		x				x

Electrical Specifications:	Current on AC (mA)	Current on DC (mA)
E3 12V	125	200
F3 24V	70	102
E9 12V fail safe		195
F9 24V fail safe		105

# ELECTRIC BOLTS

MODEL 843

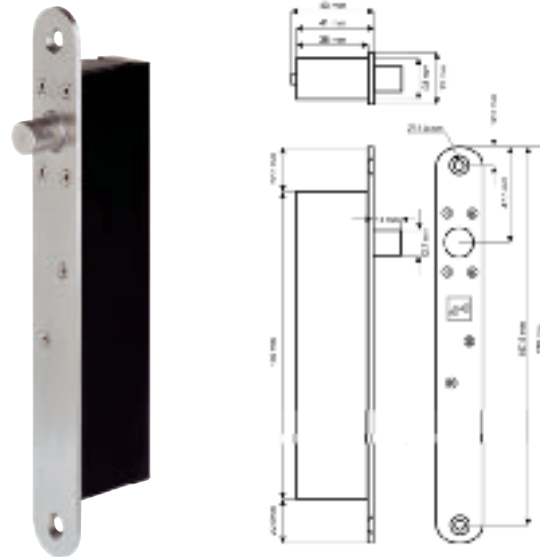
## Model 843

Thanks to its compact design and ingenious accessories, the effeff door bolt 843 provides manifold installation possibilities. As an additional locking device it provides optimum security in both the commercial and private sector.

- For horizontal and vertical mounting
- Downward closing only when mounted horizontally
- Surface mounting also on full-glass doors
- Automatic unlocking for 8 seconds via integrated control
- Integrated door and locking monitoring contacts
- For temporary and permanent release
- Suitable for revolving and swing doors
- In order for the bolt to function correctly, a corresponding striking plate with magnet is required for detecting the state of the door
- Field selectable fail secure/fail safe
- Dual voltage 12/24 V AC or V DC
- Bolt and door monitoring

Order No. 843

**843-I-----Q4I**



## Accessories for door bolt 843

### 843-3 Stainless steel striking plate, long, incl. magnet

H x W x D: 210 mm x 25 mm x 3 mm

Order No.

**843-3-----35**



### 843-4 Stainless steel housing for surface mounting for door bolt 843-I or for long striking plate 843-3

H x W x D: 225 mm x 46.5 mm x 27.4 mm

Note: Delivery without bolt

Order No.

**843-4-----35**



### 843-7 Stainless steel dressing plate

H x W x D: 225 mm x 46.5 mm x 0.7 mm

For covering the adhesive surface when gluing to glass surfaces

Order No.

**843-7-----35**



#### Technical data

Rated operating voltage	12 V DC -10% to 24 V DC +15%
Power-on current at 12 V / 24 V	1.050 mA / 900 mA
Holding current at 12 V / 24 V (after 300 ms)	210 mA / 80 mA
Door contact	max. 25 V AC / DC, 200 mA
Bolt position contact	max. 25 V AC, 1 A, 25 V DC, 500 mA
Bolt diameter	Ø 12.7 mm
Dead bolt throw 843	14 mm
Bolt housing size (L x W x H) 843	165 x 23 x 40 mm
Shearing strength	2.250 lbs

# ELECTRIC BOLTS

## CABINET LOCKS

### Privacy has priority!

It is quite simple to protect cabinets and drawers (especially in the office) against unauthorized access to your files or valuables. For securely locking furniture (wood), effeff has specially developed the cabinet locks 1048.10 and 1049.10.

They are versatile, compact and have high operating comfort. Cabinet locks can be used instead of the standard mechanical locks or additionally as electrical access control.

The cabinet lock is versatile and can be installed either at the side or front, regardless of whether it is used for drawers or doors.

A potential-free change-over contact that has a variety of uses is also available:

It shows, for example, the opening state of the door or it can be used for evaluation purposes. It can also be used for additional switching functions so that, e.g. when the door is opened, the lighting is simultaneously switched on.

The cabinet lock can be locked simply by a key switch, or if locking requires electronic control, recording and monitoring, the cabinet lock can also be combined with a code or card reading system.

The version with the monitoring contact has an additional potential-free change-over contact that monitors the opening state of the door.

### Areas of application:

- File and document cabinets
- Built-in cabinets
- Medicine or chemical cabinets
- Drawers
- Flaps on mail receiving facilities, interlocks, postal distribution systems
- Lockers
- Display cases
- Post boxes

### Model 1048.10

Fail secure, "spring-open", dual voltage 12/24 VAC or VDC  
Order No.

**1048.10-----Q11**

With monitoring contact,  
fail secure, "spring-open", dual voltage 12/24 VAC or VDC  
Order No.

**1048.10RR---Q11**

### Model 1049.10

Field selectable fail secure/fail safe, dual voltage 12/24 VAC or VDC  
Order No.

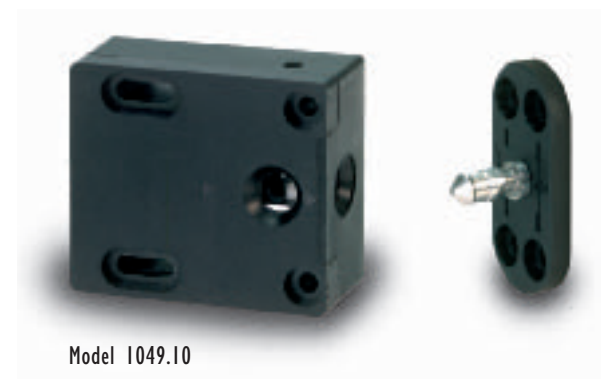
**1049.10-----Q31**

With monitoring contact,  
field selectable fail secure/fail safe, dual voltage 12/24 VAC or VDC  
Order No.

**1049.10RR---Q31**



Model 1048.10



Model 1049.10

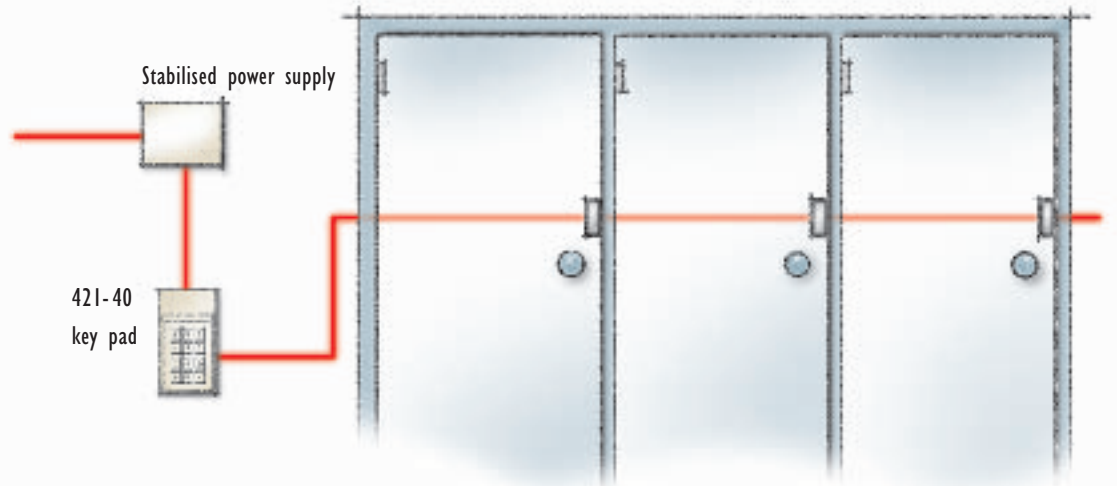


# ELECTRIC BOLTS

## CABINET LOCKS

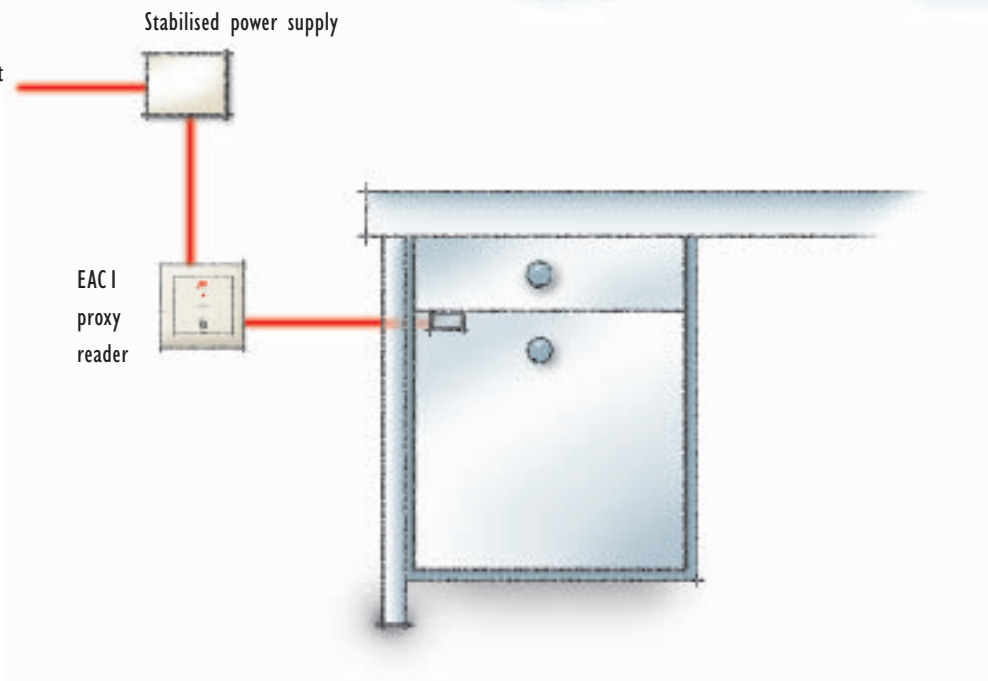
### Central opening

Opens all doors simultaneously via numerical code and Model 1049.10



### Single opening

e.g. contactless opening of your document cabinet via card or key fob and Model 1049.10



Technical data Model 1048.10	
Optional monitoring contact (RR)	Contact rating 25 V / 1 A
Dimensions L x W x H in mm (w/o rosette)	48 x 42 x 20
Resistance against pressure/tensile strength	225 lbs
Protection class as per DIN 40050	IP 20
Operating mode	Fail secure "spring-open"
Rated operating voltage $\pm 10\%$	12 V DC 900 mA
	12 V AC 500 mA
	24 V DC 450 mA
	24 V AC 230 mA
Operating temperature range	-20 °C to +60 °C

Technical data Model 1049.10	
Optional monitoring contact (RR)	Contact rating 25 V / 1 A
Dimensions L x W x H in mm (w/o rosette)	48 x 42 x 20
Resistance against pressure/tensile strength	225 lbs
Protection class as per DIN 40050	IP 20
Operating mode	Field selectable fail secure/fail safe
Rated operating voltage $\pm 10\%$	12 V DC stabilised 260 mA
	12 V AC 140 mA
	24 V DC stabilised 130 mA
	24 V AC 70 mA
Operating temperature range	+10 °C to +40 °C

# MAGNETS

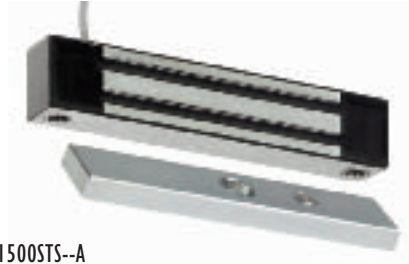
**MICRO-MAGNETS**

**330 LBS**

## Micro Magnets

### Features:

- holding force 330 lbs
- mortise or surface
- stainless steel finish



MAG-01500STS--A

### MAG-01500STM--A

Technical date as MAG-01500STS-A but mortise  
Dimensions: 220(L) x 32(W) x 24(D) mm



MAG-1500STM--A

Order number	Installation	finish	Monitoring	Voltage (DC)	Current on DC (mA)	length (mm)	width (mm)	depth (mm)	Door
MAG-01500STS--A	surface	stainless steel		12	350	170	32	24	single
MAG-1500STM--A	mortise	stainless steel		12	350	220	32	24	single

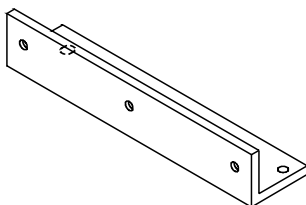
## As accessories available for model

### MAG-01500STS--A:

#### L-shaped bracket:

Order No.

**MAGAC-L300-----**

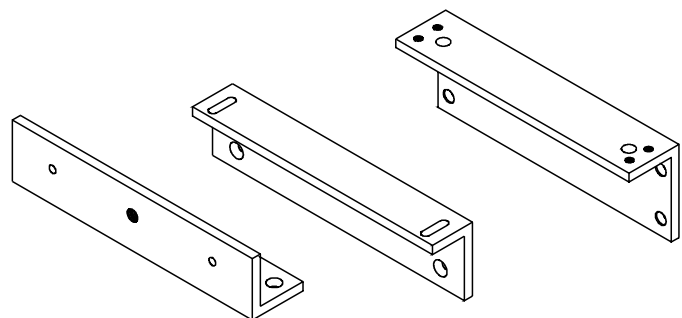


MAGAC-L150-----

#### Z-shaped bracket:

Order No.

**MAGAC-Z300-----**



MAGAC-Z150-----

# MAGNETS

675 LBS

MINI-MAGNETS

## Mini-Magnets

### Features:

- Holding force 675 lbs
- Mortise or surface
- Single or double door
- Monitoring with hall sensor (optional)
- Aluminum or stainless steel



MAG-03000ALD--D



MAG-03000ALM--D



MAGD03000ALS--D

Order number	Installation	finish	Monitoring	Voltage (DC)	Current on DC (mA)	length (mm)	width (mm)	depth (mm)	Door
MAG-03000ALS--D	surface	aluminum		12-24	500 / 250	250	42	25	single
MAG-03000ALS-HD	surface	aluminum	x	12-24	500 / 250	250	42	25	single
MAG-03000ALM--D	mortise	aluminum		12-24	500 / 250	230	38	28	single
MAG-03000ALM-HD	mortise	aluminum	x	12-24	500 / 250	230	38	28	single
MAG-03000STM-HD	mortise	stainless steel	x	12-24	500 / 250	230	38	28	single
MAG-03000STM--D	mortise	stainless steel		12-24	500 / 250	230	38	28	single
MAG-03000STS--A	surface	stainless steel		12	500	210	41	26	single
MAGD03000ALS--D	surface	aluminum		12-24	1000 / 500	500	42	25	double
MAGD03000ALS-HD	surface	aluminum	x	12-24	1000 / 500	500	42	25	double

### Accessories:

#### L - bracket

Order No.

**MAGAC-L300-----**

#### Z - bracket

Order No.

**MAGAC-Z300-----**

#### L - bracket with cover

Order No.

**MAGAC-K300-----**

# MAGNETS

STANDARD MAGNETS

1125 LBS

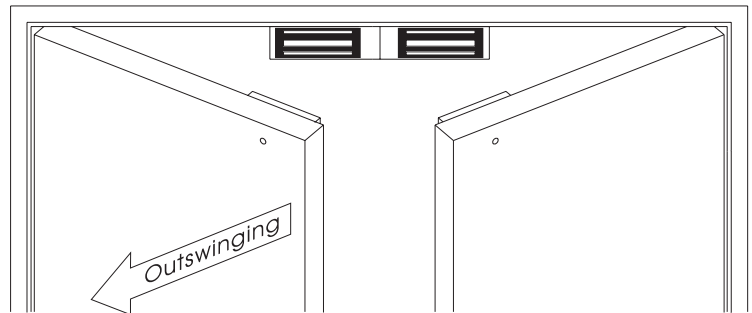
## Standard Magnets

### Features:

- Holding force 1125 lbs
- Single or double door
- Monitoring with hall sensor (optional)
- Aluminum or stainless steel
- Time delay (1 to 15 sec.) only model MAG-05000ALS-TD



MAGD05000ALS-D



Order number	Installation	finish	Monitoring	Voltage (DC)	Current on DC (mA)	length (mm)	width (mm)	depth (mm)	Door
MAG-05000ALS--D	surface	aluminum		12-24	500 / 250	264	68	40	single
MAG-05000ALS-HD	surface	aluminum	x	12-24	500 / 250	264	68	40	single
MAG-05000STS--A	surface	stainless steel		12	500 / 250	220	68	41	single
MAG-05000STS-HA	surface	stainless steel	x	12	500 / 250	220	68	41	single
MAG-05000ALS-TD	surface	aluminum	x	12-24	500 / 250	264	68	40	single
MAGD05000ALS--D	surface	aluminum		12-24	1000 / 500	528	68	40	double
MAGD05000ALS-HD	surface	aluminum	x	12-24	1000 / 500	528	68	40	double

### Accessories:

#### L - bracket

Order No.

**MAGAC-L500-----**

#### Z - bracket

Order No.

**MAGAC-Z500-----**

# MAGNETS

## SHEAR MAGNETS

### Mini Shear Magnet

#### Features:

- Holding force 1280 lbs
- Monitoring with hall sensor (optional)
- Surface or mortise mounting



MAGS05700ALMI-D

### Standard Shear Magnet

#### Features:

- Holding force 3300 lbs
- Monitoring with hall sensor
- Time delay (2 to 6 sec.)
- Mortise mounting



MAGS15000ALMITD

Order number	Installation	finish	Monitoring	Voltage (DC)	Current on DC (mA)	length (mm)	width (mm)	depth (mm)	Door
<b>MAGS05700ALMI-D</b>	mortise	aluminum		12-24	350 / 190	180	30	27 / 42	single
<b>MAGS05700ALMIHD</b>	mortise	aluminum	x	12-24	350 / 190	180	30	27 / 42	single
<b>MAGS05700ALSI-D</b>	surface	aluminum		12-24	350 / 190	182	36	48	single
<b>MAGS05700ALSIGHD</b>	surface	aluminum	x	12-24	350 / 190	182	36	48	single
<b>MAGS15000ALMITD</b>	mortise	aluminum	x	12-24	500 - 1800	267	30	40	single
<b>MAGS15000ALM2TD</b>	mortise	aluminum	x	12-24	500 - 1800	267	35	40	single

### Accessories for MAGS15000ALM2TD

#### Surface mount housing

Order No.

**MAGACSK150035**

# ACCESSORIES

## EXIT BUTTONS / POWER TRANSMITTERS

### Exit push buttons

Order No.

**1010-----00**



Surface-mounted button  
white, with key symbol  
Dimensions: W 61 x H 61 x D 22 mm

Order No.

**1011-----00**



Flush-mounted button  
white, with key symbol  
Dimensions: W 81 x H 81 mm,  
dia. 55 mm

30

### Current transmitter for two-leaf doors or windows (Figs. 1 + 2) Model 10305 / Model 10306

Functionally reliable current transmission from the door frame to the door leaf. Door contacts are recessed into the frame and into the door leaf. When the door is closed, the spring-mounted contacts touch and create the electrical connection to the strike. Contact pins in nickel-plated brass.



Fig. 1

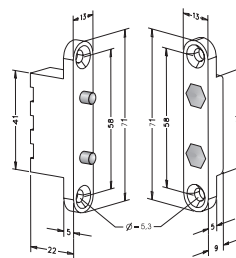
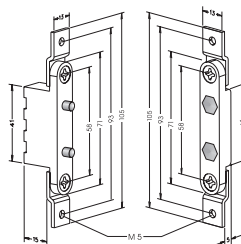


Fig. 2



\* External dimensions  
of model series 10306  
correspond to those  
of model 10305.

Designation	Max. voltage	Max. current	ON/pause duration	Fig.	Order number
Current transmitter 2-pin	24 V	1.5 A	max. 10 sec / 40 sec	1	<b>10305-----00</b>
Current transmitter 2-pin with plates	24 V	1.5 A	max. 10 sec / 40 sec	2	<b>10305LA-----00</b>
Current transmitter 3-pin	24 V	1.5 A	max. 10 sec / 40 sec	*	<b>10306-----00</b>
Current transmitter 3-pin with plates	24 V	1.5 A	max. 10 sec / 40 sec	*	<b>10306LA-----00</b>

The distance between  
each of the contact  
blocks is **max.**  
**5 mm**

### Tappet contacts

#### Model 10259 / Model 10262

The tappet contact is particularly suitable for special requirements in which a cable has to be laid between rigidly fixed and moving parts. The ball-formation design of the contacts permits smooth running in both the vertical and the horizontal direction while ensuring maximum contact reliability.

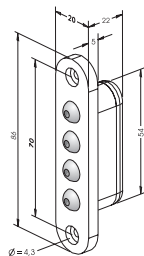
The contact pins are hard gold-plated (corrosion free) and spring-borne, ensuring reliable contacting even where low current or voltage levels are involved, for example when used in electronic systems. This model series is available in a recessed or screw-on version depending on the requirements.

#### Special note:

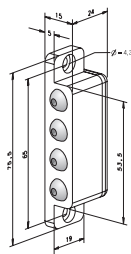
The distance between each of the contact blocks should be no more than 5 mm



Model 10259



Model 10262



Specifications	Max. voltage	Max. current	ON duration	Order number
Mortise contact 4-pin	24 V AC/DC	0.5 A	100% duty cycle	10259-----00
Mortise contact 4-pin with plates	24 V AC/DC	0.5 A	100% duty cycle	10259LA-----00
Surface contact 4-pin	24 V AC/DC	0.5 A	100% duty cycle	10262-----00

The distance between each of the contact blocks is **max. 5 mm**

# ACCESSORIES

## POWER TRANSMITTERS

### Cable connectors for concealed mounting Model 10312

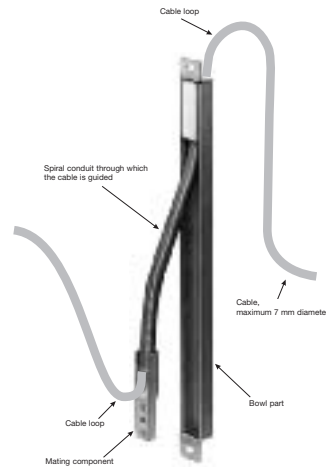
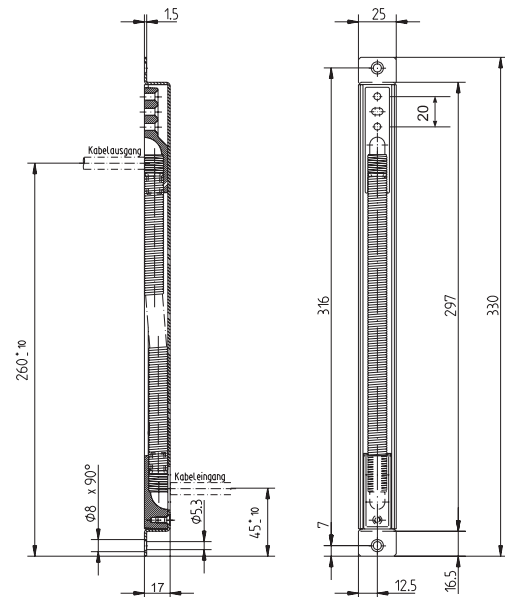
The concealed cable connector is a reliable, safe way of guiding supply cables from the door frame to the door leaf. The concealed mounting method in the door rebate ensures that the supply line is not accessible when the door is closed and so safe against attempted sabotage. As the supply line is guided through a metal spiral conduit, damage due to kinking or crushing is excluded.

#### Characteristics:

- Housing and spiral conduit in rust-proof stainless steel
- Suitable for cables of up to 7 mm in diameter
- Suitable for mounting in wood, plastic or metal doors
- Extendible spiral conduit to bridge a maximum length of 110 mm
- Reliable cable guidance
- Sabotage-proof when the door is closed

Order No.

**10312-10-----00**



Model 10312-10

### Cable connector for exposed mounting Model 10318

For direct current transmission from the door frame to the door leaf. Non-rusting flexible metal conduit. Fixing caps for mounting on the door frame and door leaf.

Order number	Length (inch)	for cable dia. (mm)	Designation for cable connectors
10318-----00	7	7	Nickel-plated brass
10318-30-----00	12	7	Nickel-plated brass
10318-40-----00	16	7	Nickel-plated brass
10318-60-----00	23	7	Nickel-plated brass
10318-80-----00	31	7	Nickel-plated brass
10318W-----00	12	6	White plastic-coated
10318B-----00	12	6	Brown plastic-coated



Model 10318



# ACCESSORIES

## DOOR CONTACTS

### Adjustable door contact Model 10405

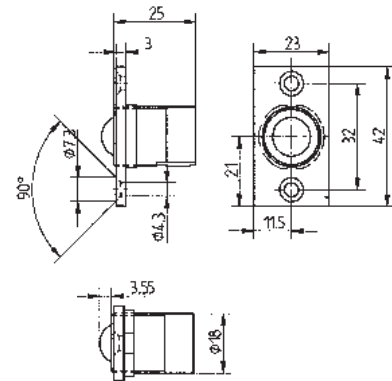
It is characterized particularly by its heavy duty design with steel ball and screw thread for flexible setting to a wide range of different door geometries.

#### Performance features:

- High switching output
- Adjustable to the door gap
- 1,000,000 cycles



10405.11



Order No.

Model	Connection	Plate
10405.10----00	cable (4m)	squared corners
10405.11----00	leads	squared corners
10405.10R----00	cable (4m)	round corners
10405.11R----00	leads	round corners

Specifications	
Floating changeover contact, contact load capacity	25 V AC/DC, 1 A
Adjustment path	13 mm
Diameter	18 mm
Max. mounting depth including striking plate	25 mm
Service life	1 million switching cycles
Protection rating	IP 40
Response path	1 mm
Length of connection slots / connecting cable	250 mm / 4 m

### Magnetic contacts (reed contacts)

Reed contacts are fused into a glass tube and so proof against the effects of both dust and water.

A reed contact is actuated on a no-contact basis by a permanent magnet. The reed contact is recessed or mounted in a door frame, and its magnet is mounted on or recessed into the door. If the door is closed, the magnet acts on the contact (contact closed). However, if the door is opened beyond the relevant switching distance, the contact is interrupted (contact open).



Order No.

**10380A-6-----00**

## MOUNTING KIT

### Mounting kit

Striking plates are recessed flush into steel frames. For this specific purpose, the mounting kit can be used. The shape of the recess compensates for varying material thicknesses of frames and striking plates. Suitable screws for fixing the mounting plates and spacer in the frame and for fixing the striking plate on the mounting plate are included in the delivery.

#### Include:

- 4 pcs Phillips screw MS10-32x1/2"
- 2 pcs Phillips screw MS12-24x5/16"
- 3 pcs Phillips screw MS12-24x1/2"
- 2 pcs Phillips screw M4x9.5
- 6 pcs Adhesive spacer
- 2 pcs Mounting plates









## ELECTRIC DOOR STRIKE

effeff door strikes offer a high degree of security and are easy to use. Our wide range fulfils all requirements and includes models for all types of installation.

This applies worldwide as effeff products comply with both national and international regulations. effeff's convincing solutions for smoke protection doors, fire rated doors and doors in escape routes.



## ELECTRIC BOLTS

effeff electric bolts reliably complement locks and door strikes and are used for special applications e.g. swing doors or sliding doors where they act as an additional locking mechanism. For door bolts with integrated monitoring contact, the locking state can be monitored so that e.g. a system can only start when the corresponding door is also securely locked.

Application possibilities range from the simple drawer to elevator doors and high security zones.



## ESCAPE DOOR SYSTEMS

When danger is imminent have confidence in effeff's know-how and reliability. Our rescue path systems ensure secure operation of the escape route door irrespective of whether the door requires locking or may only be used by authorized persons. Absolute secure use of escape routes in case of danger is ensured at all times.

effeff escape door control systems ensure protection and security e.g. in hospitals, schools, kindergarten, office buildings, airports and exhibition halls. For your special applications too, we have the fitting solutions e.g. closed departments in clinics.



## SECURITY LOCKS

First and foremost security: The effeff electric security locks with anti-panic function and self-locking mechanism ensure maximum mechanical security in conjunction with high operating comfort for the user. The effeff range of locks is suitable for use both in fire doors and escape and rescue routes.



## MAGNETS

A wide variety of magnets is an integral part of the effeff range of locking mechanisms.

Thanks to the virtually silent function and special advantages of subsequent mounting, magnets present an excellent additional locking mechanism. The outstanding feature of the effeff magnets is the high-quality surface and attractive design.



## DOOR AUTOMATICS

It is hard to imagine many buildings today without automatic power-operated doors. They facilitate free entry without barriers and thus simultaneously save energy. The effeff electromechanical and electrohydraulic swing door operators for one and two leaf swing doors are suitable for both private and commercial areas of application.



## ACCESS CONTROL SYSTEMS

The simple solution for maximum security! effeff access control systems protect and monitor buildings, individual rooms or other security-relevant zones.

effeff offers a wide range of varying technologies, devices and systems that are aligned to the special security requirements. effeff access control systems meet the special requirements of our customers and are used in private, official and industrial zones.



## AUTOMATIC DOOR ARRESTER SYSTEMS

effeff automatic door arrester systems secure fire-retardant doors that must remain open for daily use. As soon as smoke is signalled, the arrester mechanism releases the door. The fire doors close and prevent fire and smoke gases from reaching adjoining rooms and buildings and fire from spreading.



Gâches électriques

A p r i o r t a e l e t t r i c i

# Elektro-Türöffner

Electric strikes

Cerraderos eléctricos

ASSA ABLOY  
Sicherheitstechnik GmbH  
Bildstockstraße 20  
72458 Albstadt  
GERMANY  
Phone +49 7431 123-0  
Fax +49 7431 123-240  
info@effeff.com  
www.effeff.com

USA  
Phone +1 407 483 0031  
Fax +1 407 870 2960  
info-usa@effeff.com  
www.effeff.com



2.190-077 06000