

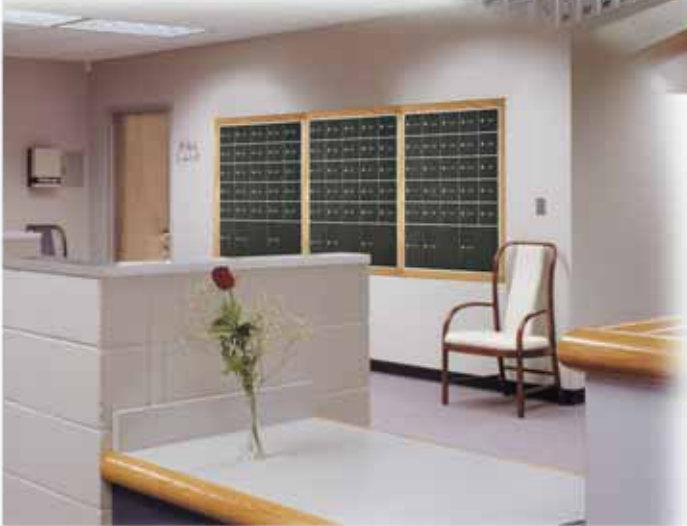


THE NAME

TO KNOW IN

POSTAL

SPECIALTIES



YEAR AFTER YEAR,
OUR REPUTATION
IS BASED ON
PERFORMANCE



Bommer enjoys a reputation as one of the oldest and most proficient manufacturers of Postal Service-approved mailboxes. Models carrying the Bommer trademark have become the standard for multiple-dwelling units: apartment houses, condominiums, dormitories and other institutional-type facilities.

DESIGN ASSISTANCE

Our engineering staff is available to architects and specification writers in the planning of mail distribution facilities and the specifying of mailboxes and related items. We also assist apartment owners and managers to help determine their requirements, in accordance with the latest USPS STD-4B+ and USPS STD-4C

Whenever your requirements include architectural grade hardware or postal specialties, you can feel confident specifying the bommer line.



USPS-STD-4B+ mandatory date: April 1st, 2005
on any new construction until October 5th, 2006.

After October 5th, STD-4B+ may only be used for repair or replacement ... unless major building renovation costs involving the mailboxes triggers requirements under STD-4C.

USPS-STD-4C mandatory date: October 6th, 2006
for any and all new construction from this date forward (it does not mean however, that all existing mailboxes are required to be replaced with STD-4C units on or before this date).

SUGGESTED SPECIFICATIONS

ALL MAILBOXES

GENERAL

Furnish and install mailboxes and accessories in quantities and at locations indicated on drawings.

U.S.P.S. REGULATIONS

Materials, sizes, construction and installation shall comply with all current U.S.P.S.-STD-4B+ regulations.

LOCKS

Each mail compartment door shall be provided with a lock, keyed different from all other locks supplied for the project. A minimum of 1,000 key changes shall be available for the type lock supplied.

Locks shall be:

- (a) 5-pin tumbler cam type and shall be supplied with ____ change keys per lock.
- (b) spring bolt type which automatically latches when door is closed and shall be controlled by a 5-pin tumbler cylinder, furnished with ____ change keys per lock
- (c) spring bolt type which automatically latches when door is closed and shall be controlled by cylinders keyed into the building keying system. Cylinders, adapted to fit mail box doors and locks, are specified to be furnished by the hardware supplier and shall be installed in doors by the mail box manufacturer.

KEY KEEPER

A Bommer No. ____ Key Keeper with ____ finish shall be provided at the entrance door to lobby.

LETTER DROP

A Bommer No. 402 Letter Drop with ____ finish shall be provided at location indicated on drawings.

MAIL COLLECTION BOX

A Bommer No. ____ mail collection box with ____ finish shall be provided at location indicated on drawings.

HORIZONTAL MAILBOXES

ARRANGEMENT OF QUANTITIES AND MAILBOXES

shall be as indicated on construction drawings. Shop drawings showing fabrication and installation details shall be supplied for approval, prior to fabrication of mailboxes.

CONSTRUCTION

Mail compartments shall be double-wall type, made of sheet aluminum. Frame members shall be heavy gauge extruded aluminum sections. Compartment doors shall be extruded aluminum not less than .156" thick, reinforced at each edge with integral ribs. Doors shall swing on concealed pivots.

TYPE

Mailboxes shall be Bommer ____ Series, Model No. ____ horizontal type. Units shall be:

- (a) front loading. The master door shall be hinged to the units with a continuous stainless steel hinge. Single-point locking shall be provided for master doors 4 or less standard compartments high; a spring-actuated latch at top and bottom shall be provided for master doors of greater height to provide 3-point locking. Access to latch shall be through one compartment door, reserved for and designed to accommodate a lock supplied by the U.S.P.S.

Note: For mailboxes not serviced by the U.S.P.S., substitute the following for the last sentence of above paragraph:

Access to latch shall be through one compartment door, and lock for this door shall be...(1) 5-pin cam type ... (2) same type specified for doors of mail compartments.

- b) rear loading. Rear cover shall be made of sheet aluminum not less than .050" thick, formed with a return at edges to provide rigidity, and secured with latch bolts.

LOCKS

Bommer offers three (3) additional locks for horizontal mailboxes:

- a) removable core cylinder type. Complete lock assembly and removable core cylinders, adapted to fit mailbox doors, are specified to be furnished by the hardware supplier and shall be installed in doors by the mailbox manufacturer.
- (b) combination type with spring latch bolt. Locks shall be 3-digit single dial type with automatic throw-off.

Note: Combination locks are not approved for use on mailboxes serviced by employees of the U.S.P.S.

- (c) 5-pin tumbler lock with 4-point locking system shall be supplied with 1,000 change keys per lock.

COMPARTMENT IDENTIFICATION

Each compartment shall be equipped with a channel type holder to accommodate a name card for identifying the tenant using the box. Each door shall be:

- (a) Provided with a slot 5/8" high by 2" wide, fitted with a transparent plastic cover and steel back plate, and supplied with a standard cardboard strip on which room or apartment number can be printed by owner.
- (b) Supplied with room or apartment numbers 1/2" high, engraved into face of door. Numbers shall be as directed by the architect or owner.
- (c) Provided with a slot 5/8" high and 2" wide, fitted with a transparent plastic cover and steel back plate, and supplied with a laminated black plastic strip engraved with white numbers. Numbers shall be as directed by the architect or owner
- (d) Supplied with a 1 1/8" high x 2" wide window x 3/16" thick Plexiglas with room or apartment number 1/2" high engraved in window. Numbers shall be as directed by architect or owner. (Note: Windows are not approved for use in units serviced by employees of the U.S.P.S.)

TRIM

Peripheral trim 9/16" x 1 1/2", snap-on type extruded aluminum to match mailboxes, shall be supplied in standard 5' lengths with mailbox units.

DIRECTORIES

Shall be Bommer 6900 series, designed to match horizontal mailboxes. Units shall be:

- (a) Top mounted type ____ of same width as mailboxes.
- (b) Side mounted or separate type 6921 of same height as mailboxes. A sufficient number of directory panels shall be supplied to provide one 3/8" name line per mail compartment, plus 40 percent.

FINISH

Fronts of compartment door units shall:

- (a) Be 628 natural anodized aluminum.
- (b) Have a _____ finish.

INSTALLATION

Mailbox units and accessories shall be installed in accurately framed openings, with units plumb and adequately secured

in position. Miscellaneous blocking and trim required for proper installation shall be furnished and installed by the contractor.

For 6001 and 6101 series, modify above specifications as follows:

- (1) Delete references to U.S.P.S. regulations, locks, etc.
- (2) Select and substitute applicable directory numbers from page 13.

VERTICAL MAILBOXES

CONSTRUCTION

Each mailbox shall consist of 3 to 7 compartments enclosed within a wall box. Both the compartments and wall box shall be constructed of not less than .028"galvanized and chromated steel, riveted and spot welded. Compartment doors and exposed frame members shall be made of extruded and anodized aluminum not less than .085" thick. Doors shall swing on concealed pivots. All exposed surfaces shall have a _____ finish.

MOUNTING FRAMES

(Optional: for use where recessed mounting is not practical.) Mounting frames shall be supplied for all mailbox units. Frames shall be:(a) full surface type, Bommer No. ____ (b) semi-recess type, Bommer No. ____

DIRECTORIES

(Required in all apartment buildings having 15 or more mailbox compartments.) Directory separate type 6921 panels shall be fabricated from aluminum extrusion and exposed surfaces shall have a _____ finish.

FINISHES FOR MAILBOXES AND ACCESSORIES

The following finishes are available for Bommer mailboxes and accessories:

POWDER COAT:

- 988 Gold
- 992 Medium Bronze
- 993 Dark Bronze
- 994 Black

ANODIZED:

- 628 Natural Anodized Aluminum

General Care And Maintenance:

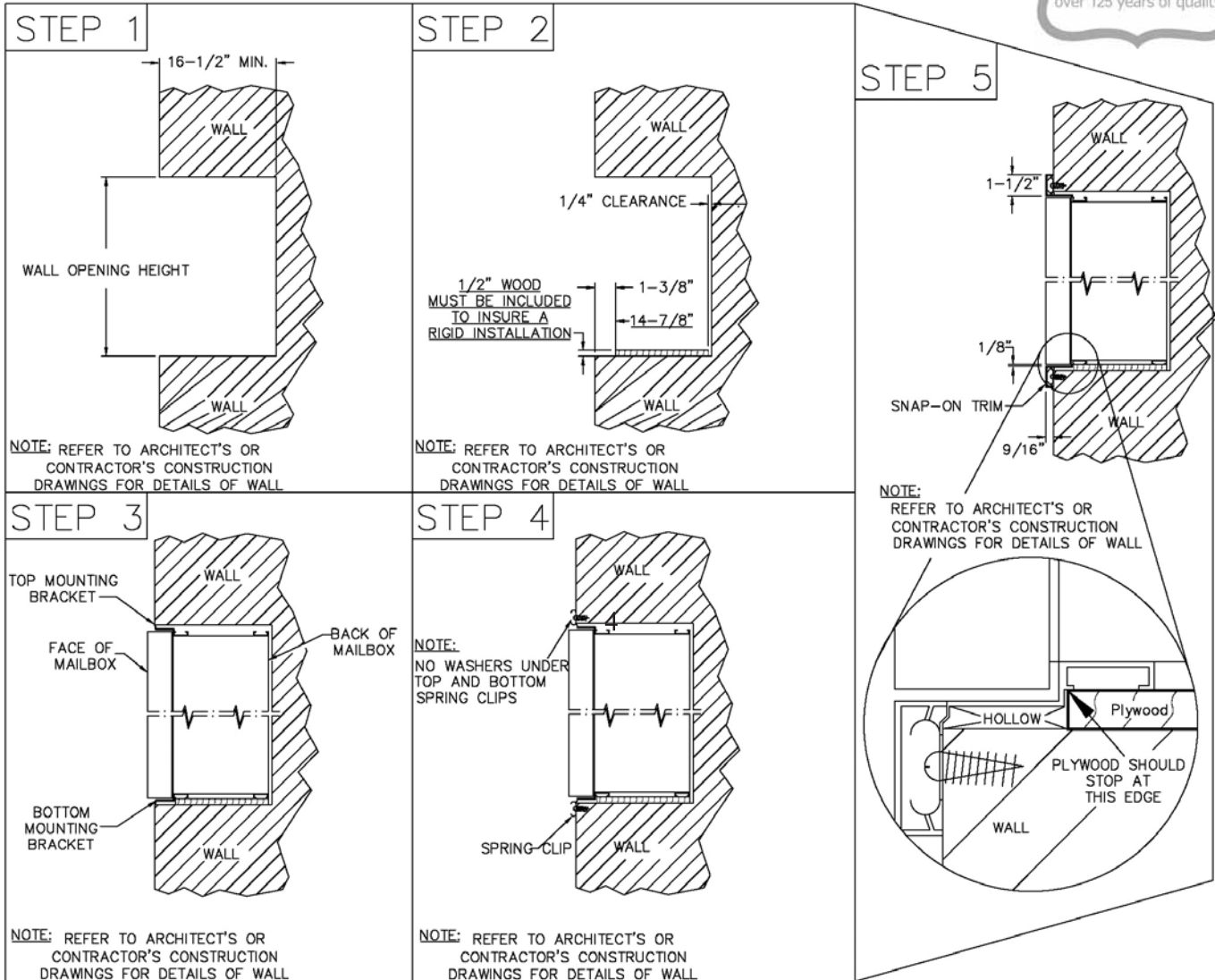
Mailboxes furnished by Bommer Industries, Inc. are of a high quality aluminum alloy material. To clean the natural anodized or painted mailbox units, wash only with warm water and very mild soap. Rinse (Do not allow the cleaning agent to dry on finished surfaces), then dry the cleaned area thoroughly with a soft cloth. Important: Do not use an abrasive applicator, any abrasive cleaning agent, any cleaner containing chemical detergents, or any cleaner with acid content. Doing so may result in scratching, discoloring, or even removing the finish in the case of painted units.

Contents

Horizontal Order Feature Sheet	4
Vertical Order Feature Sheet	5
6200 Series Horizontal Mailboxes, U.S.P.S. Approved STD-4B+.....	6, 7
6300 Series Horizontal Mailboxes, U.S.P.S. Approved STD-4B+.....	8, 9
6001/6101 Series Horizontal Mailboxes, Not U.S.P.S. Approved.....	10, 11
Optional Locks and Door Identification for Horizontal Mailboxes.....	12
Directories and Mounting Dimensions for Horizontal Mailboxes.....	13
6700 Series Pedestal Mailboxes (NDCBU'S).....	14, 15
9040 Series Vertical Mailboxes, U.S.P.S. Approved STD-4B+.....	16, 17
Mounting Frames for 9040 Series Vertical Mailboxes.....	16
Optional Locks and Door Identification for 9040 Series Vertical Mailboxes	16
5770 Series Vertical Mailboxes, Not U.S.P.S. Approved.....	18
Vertical Mailbox Directories and Key Cabinets.....	19
Mail Collection Units.....	20-22
Parcel Lockers.....	23
Key Keepers.....	23

HORIZONTAL MAILBOX ORDER FEATURE SHEET

Customer Name _____ P.O. Number _____



MATERIAL

- Aluminum

FINISHES

- 628 Natural Anodized Aluminum
- 988 Gold Powder Coat
- 992 Medium Bronze Powder Coat
- 993 Dark Bronze Powder Coat
- 994 Black Powder Coat

TENANT LOCKS

- 5-pin tumbler cam type lock
- Keyless knob cam latch
- Keyless knob spring latch
- Spring latch with 5-pin tumbler lock cylinder
- Spring latch with keyed-in cylinders, cylindrical lock type cylinders to be furnished by hardware supplier and installed by Bommer. Cylinder manufacturer and number _____

- Removable core lock. Spring latch assembly and cylinder to be furnished by hardware supplier and installed by Bommer. Lock manufacturer and number _____

KEYS

_____ per lock

IDENTIFICATION

- Doors with slots 5/8" high x 2" wide, with transparent plastic cover, steel back plate and cardboard strip.
- Doors with numbers 1/2" high, engraved into face of door. Letters used as titles: example "Letters" shall be 1" high. Letters used with numbers: example: "A-109" shall be 1/2" high.
- Doors with slots 5/8" high x 2" wide, with transparent plastic cover, steel back plate and laminated black plastic strip engraved with white numbers.

- Doors with slots 1-1/8" high x 2" wide supplied with 3/16" thick Plexiglas window with numbers 1/2" high, engraved into window.

PERIPHERAL TRIM

- Trim by others
- Snap-on trim 1-1/2" x 9/16" x 5', must cut to length and miter corners on job.

DIRECTORY

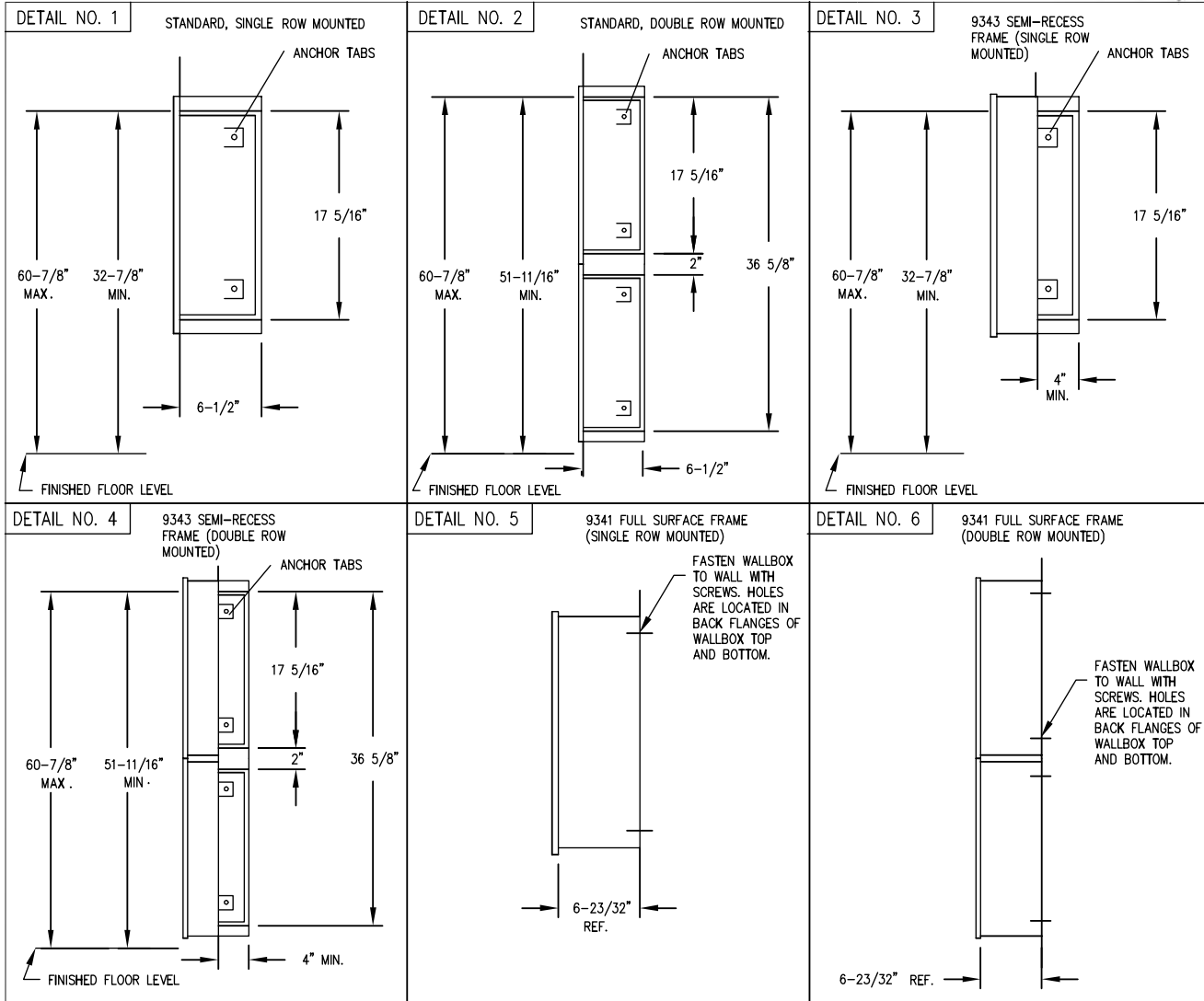
- 6912 top mounted with 10 name lines per panel

CONTROL LOCKS (FRONT LOADING UNITS ONLY)

- Postal service lock (supplied by local postal authorities)
- 5-pin tumbler cam type lock, keyed alike with _____ keys per lock.

VERTICAL MAILBOX ORDER FEATURE SHEET

Customer Name _____ P.O. Number _____



MATERIAL

- Aluminum fronts and steel backs

FINISHES

- 628 Natural Anodized Aluminum
- 988 Gold Powder Coat
- 992 Medium Bronze Powder Coat
- 993 Dark Bronze Powder Coat
- 994 Black Powder Coat

TENANT LOCKS

- 5-pin tumbler cam type lock
- Spring latch with 5-pin tumbler lock cylinder
- Spring latch with keyed-in cylinders, cylindrical lock type cylinders to be furnished by hardware supplier and installed by Bommer. Cylinder manufacturer and number: _____

KEYS

_____ per lock

IDENTIFICATION

- Name and number slots in door, with cardholder and cardboard name and number tab. Names and numbers to be printed on tabs by owner.
- Name and number slots in door, with cardholder and laminated black plastic number tab engraved with white numbers.
- Engraved numbers on face of door with name and number slots in door, with card holder and cardboard name and number tab. Names and numbers to be printed on tabs by owner.
- Engraved numbers on face of door.

CONTROL LOCKS

- Postal service locks (supplied by local postal authorities)
- 5-pin tumbler cam type, keyed alike with _____ keys per lock.

U.S.P.S. STD-4B+ Approved



SPECIFICATIONS

COMPARTMENT SIZE

- 5" high x 6" wide x 15" deep (standard)

DOOR LOCK

- 5-pin cam type with 2 keys (standard)
- Optional locks – see page 12

DOOR LOCK IDENTIFICATION

- 5/8" x 2" number slot with plastic window (standard)
- Optional identification – see page 12

FINISH

- 628 natural anodized aluminum (standard)
- Optional finishes – see page 3

DIRECTORIES

- Side, separate and top mounted available – see page 13

SNAP-ON TRIM

- 9/16" x 1 1/2" extruded aluminum

STD-4B+ CONTROL DOOR LOCK

- Prepared for U.S.P.S. lock or private lock. No slots allowed in STD-4B+ control doors.

FRONT LOADING 6200 SERIES

Access to compartments is from the front, through a hinged master door. One door is required for a control lock, which secures the master frame and cannot be used for mail distribution. The master door is hinged on the right side.

MODEL 6210

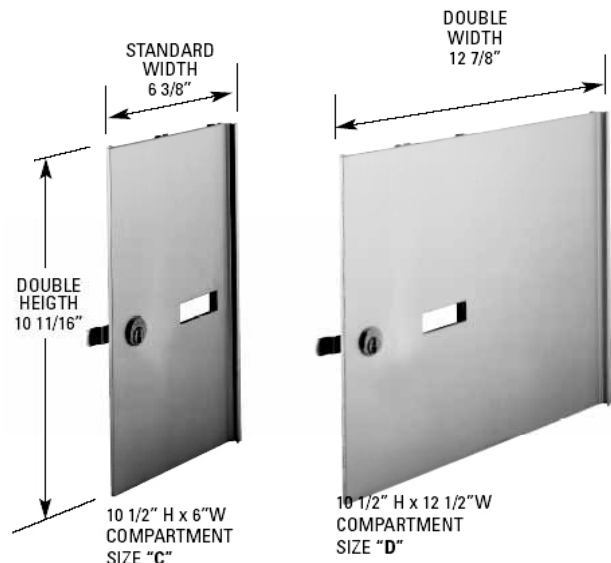
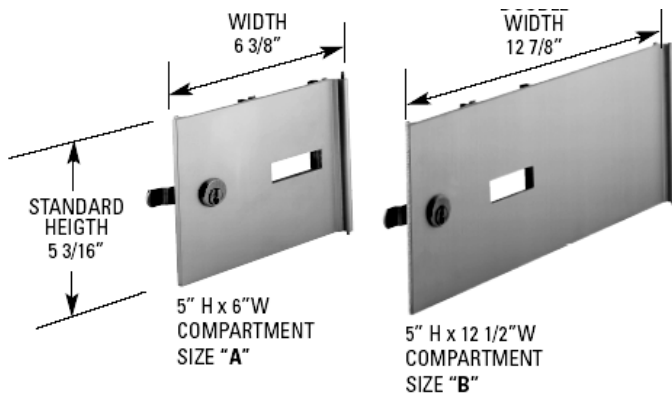
The 6210 is composed of all size "A" doors. HS6210 has a 4-point locking system (see page 12).

MODEL 6230

The 6230 is the same as the 6210 except it contains one or more multiple size doors. A layout must accompany all orders. HS6230 has a 4-point locking system (see page 12).



OPTIONAL COMPARTMENT DOOR SIZES:



4 DOORS HIGH			
Rough Opening 1'– 11 1/2"			
Number of Tenants	Model Number (s) and Order Quantity	Postal Locks	Rough Opening Width
11	(1) 6210-43	1	1'- 8 7/8"
15	(1) 6210-44	1	2'- 3 3/8"

5 DOORS HIGH			
Rough Opening 2'- 5"			
Number of Tenants	Model Number (s) and Order Quantity	Postal Locks	Rough Opening Width
14	(1) 6210-53	1	1'- 8 7/8"
19	(1) 6210-54	1	2'- 3 3/8"
24	(1) 6210-55	1	2'- 9 7/8"

6 DOORS HIGH			
Rough Opening 2'- 10 1/2"			
Number of Tenants	Model Number (s) and Order Quantity	Postal Locks	Rough Opening Width
17	(1) 6210-63	1	1'- 8 7/8"
23	(1) 6210-64	1	2'- 3 3/8"
29	(1) 6210-65	1	2'- 9 7/8"
34	(2) 6210-63	2	3'- 5 9/16"
40	(1) 6210-63 (1) 6210-64	2	4'- 0 1/16"
46	(2) 6210-64	2	4'- 6 9/16"
52	(1) 6210-64 (1) 6210-65	2	5'-11/16"
58	(2) 6210-65	2	5'- 7 9/16"
63	(1) 6210-63 (2) 6210-64	3	6'- 3 1/4"
69	(3) 6210-64	3	6'- 9 3/4"
75	(2) 6210-64 (1) 6210-65	3	7'- 4 1/4"
81	(1) 6210-64 (2) 6210-65	3	7'- 10 3/4"
87	(3) 6210-65	3	8'- 5 1/4"
92	(4) 6210-64	4	9'- 0 15/16"
98	(3) 6210-64 (1) 6210-65	4	9'- 7 7/16"
104	(2) 6210-64 (2) 6210-65	4	10'- 1 15/16"
110	(1) 6210-64 (3) 6210-65	4	10'- 8 7/16"
116	(4) 6210-65	4	11'- 2 15/16"
121	(4) 6210-64 (1) 6210-65	5	11'- 10 5/8"
127	(3) 6210-64 (2) 6210-65	5	12'- 5 1/8"
133	(2) 6210-64 (3) 6210-65	5	12'- 11 5/8"
139	(1) 6210-64 (4) 6210-65	5	13'- 6 1/8"
145	(5) 6210-65	5	14'- 0 5/8"
150	(4) 6210-64 (2) 6210-65	6	14'- 8 5/16"
156	(3) 6210-64 (3) 6210-65	6	15'- 2 13/16"
162	(2) 6210-64 (4) 6210-65	6	15'- 9 5/16"
168	(1) 6210-64 (5) 6210-65	6	16'- 3 13/16"
174	(6) 6210-65	6	16'- 10 5/16"
179	(4) 6210-64 (3) 6210-65	7	17'- 6"
185	(3) 6210-64 (4) 6210-65	7	18'- 0 1/2"
191	(2) 6210-64 (5) 6210-65	7	18'- 7"
197	(1) 6210-64 (6) 6210-65	7	19'- 1 1/2"
203	(7) 6210-65	7	19'- 8"
208	(4) 6210-64 (4) 6210-65	8	20'- 3 11/16"
214	(3) 6210-64 (5) 6210-65	8	20'- 10 3/16"
220	(2) 6210-64 (6) 6210-65	8	21'- 4 11/16"
226	(1) 6210-64 (7) 6210-65	8	21'- 11 3/16"
232	(8) 6210-65	8	22'- 5 11/16"

7 DOORS HIGH			
Rough Opening 3'- 4"			
Number of Tenants	Model Number (s) and Order Quantity	Postal Locks	Rough Opening Width
20	(1) 6210-73	1	1'- 8 7/8"
27	(1) 6210-74	1	2'- 3 3/8"
34	(1) 6210-75	1	2'- 9 7/8"
40	(2) 6210-73	2	3'- 5 9/16"
47	(1) 6210-73 (1) 6210-74	2	4'- 0 1/16"
54	(2) 6210-74	2	4'- 6 9/16"
61	(1) 6210-74 (1) 6210-75	2	5'-11/16"
68	(2) 6210-75	2	5'- 7 9/16"
74	(1) 6210-73 (2) 6210-74	3	6'- 3 1/4"
81	(3) 6210-74	3	6'- 9 3/4"
88	(2) 6210-74 (1) 6210-75	3	7'- 4 1/4"
95	(1) 6210-74 (2) 6210-75	3	7'- 10 3/4"
102	(3) 6210-75	3	8'- 5 1/4"
108	(4) 6210-74	4	9'- 0 15/16"
115	(3) 6210-74 (1) 6210-75	4	9'- 7 7/16"
122	(2) 6210-74 (2) 6210-75	4	10'- 1 15/16"
129	(1) 6210-74 (3) 6210-75	4	10'- 8 7/16"
136	(4) 6210-75	4	11'- 2 15/16"
142	(4) 6210-74 (1) 6210-75	5	11'- 10 5/8"
149	(3) 6210-74 (2) 6210-75	5	12'- 5 1/8"
156	(2) 6210-74 (3) 6210-75	5	12'- 11 5/8"
163	(1) 6210-74 (4) 6210-75	5	13'- 6 1/8"
170	(5) 6210-75	5	14'- 0 5/8"
176	(4) 6210-74 (2) 6210-75	6	14'- 8 5/16"
183	(3) 6210-74 (3) 6210-75	6	15'- 2 13/16"
190	(2) 6210-74 (4) 6210-75	6	15'- 9 5/16"
197	(1) 6210-74 (5) 6210-75	6	16'- 3 13/16"
204	(6) 6210-75	6	16'- 10 5/16"
210	(4) 6210-74 (3) 6210-75	7	17'- 6"
217	(3) 6210-74 (4) 6210-75	7	18'- 0 1/2"
224	(2) 6210-74 (5) 6210-75	7	18'- 7"
231	(1) 6210-74 (6) 6210-75	7	19'- 1 1/2"
238	(7) 6210-75	7	19'- 8"
244	(4) 6210-74 (4) 6210-75	8	20'- 3 11/16"
251	(3) 6210-74 (5) 6210-75	8	20'- 10 3/16"
258	(2) 6210-74 (6) 6210-75	8	21'- 4 11/16"
265	(1) 6210-74 (7) 6210-75	8	21'- 11 3/16"
272	(8) 6210-75	8	22'- 5 11/16"

Minimum wall depth 16 1/2"

6200 SERIES ROUGH OPENING WIDTH FORMULA:

Multiply total size "A"

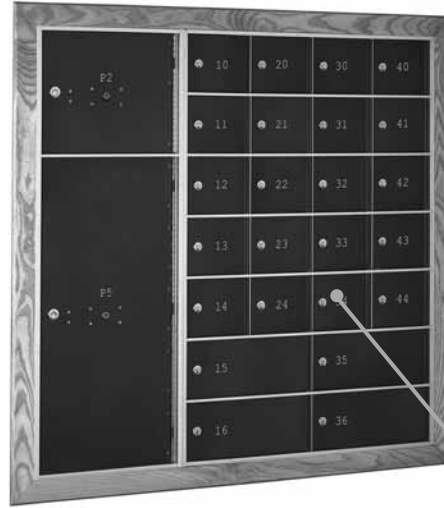
(or equivalent "A" doors wide) by 6.5 inches..... =

Multiply total units by 1.1875 inches..... = + _____

+ .1875 inches

Total rough opening width = _____ inches

U.S.P.S. STD-4B+ Approved



MODEL 6330-74
Shown next to model
563-72 Parcel Locker

REAR LOADING 6300 SERIES

Access to compartments is from the rear. A lift off rear cover is supplied as standard with an optional hinged rear cover available. The rear cover may be omitted on non-USPS STD-4B+ installations. All doors are usable for mail distribution.

MODEL 6310

The 6310 is composed of all size "A" doors. HS6310 has a 4-point locking system (see page 12).

MODEL 6330

The 6330 is the same as the 6310 except it contains one or more multiple size doors. A layout must accompany all orders. HS6330 has a 4-point locking system (see page 12).

SPECIFICATIONS

COMPARTMENT SIZE

- 5" high x 6" wide x 15" deep (standard)

DOOR LOCK

- 5-pin cam type with 2 keys (standard)
- Optional locks – see page 12

DOOR LOCK IDENTIFICATION

- 5/8" x 2" number slot with plastic window (standard)
- Optional identification – see page 12

FINISH

- 628 natural anodized aluminum (standard)
- Optional finishes – see page 3

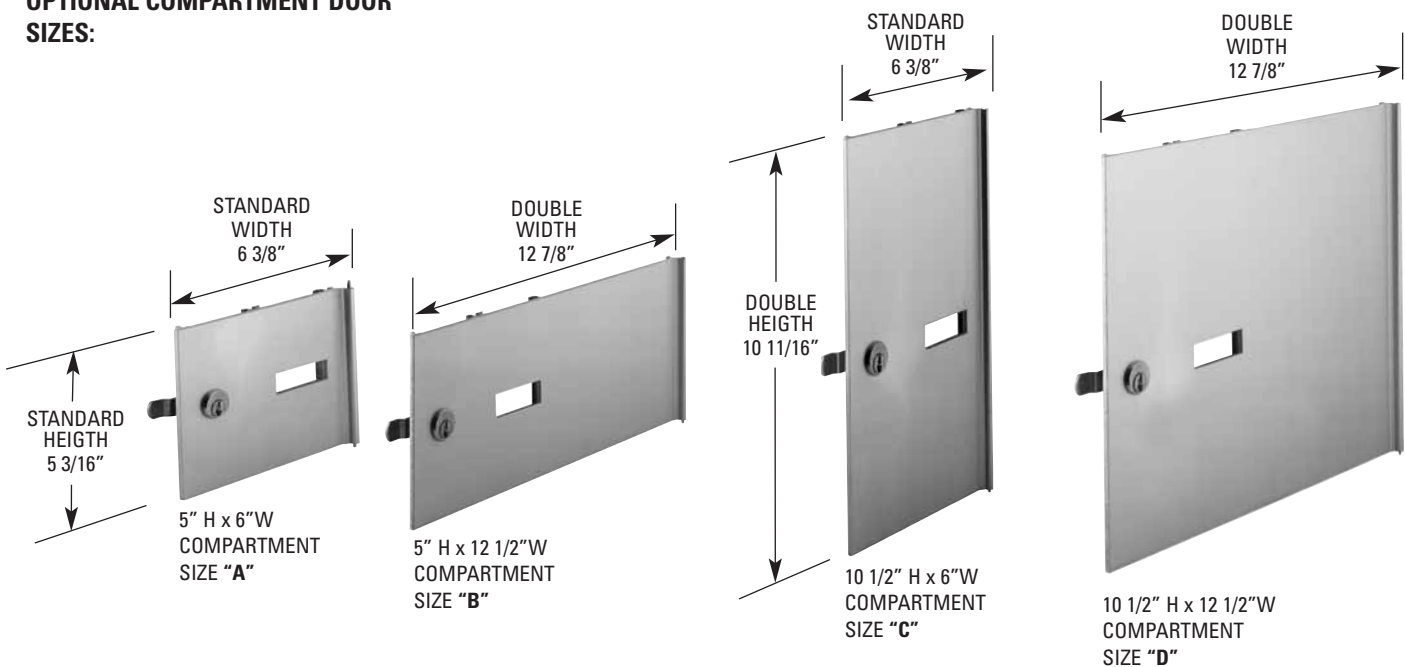
DIRECTORIES

- Side, separate and top mounted available – see page 13

SNAP-ON TRIM

- 9/16" x 1 1/2" extruded aluminum

OPTIONAL COMPARTMENT DOOR SIZES:



4 DOORS HIGH		
Rough Opening 1'– 11 1/2"		
Number of Tenants	Model Number (s) and Order Quantity	Rough Opening Width
12	(1) 6310-43	1'- 8 7/8"
16	(1) 6310-44	2'- 2 15/16"

5 DOORS HIGH		
Rough Opening 2'– 5"		
Number of Tenants	Model Number (s) and Order Quantity	Rough Opening Width
15	(1) 6310-53	1'- 8 7/16"
20	(1) 6310-54	2'- 2 15/16"
25	(1) 6310-55	2'- 9 7/16"

6 DOORS HIGH		
Rough Opening 2'– 10 1/2"		
Number of Tenants	Model Number (s) and Order Quantity	Rough Opening Width
18	(1) 6310-63	1'- 8 7/16"
24	(1) 6310-64	2'- 2 15/16"
30	(1) 6310-65	2'- 9 7/16"
36	(2) 6310-63	3'- 4 5/8"
42	(1) 6310-63 (1) 6310-64	3'- 11 1/8"
48	(2) 6310-64	4'- 5 5/8"
54	(1) 6310-64 (1) 6310-65	5'- 0 1/8"
60	(2) 6310-65	5'- 6 5/8"
66	(1) 6310-63 (2) 6310-64	6'- 1 13/16"
72	(3) 6310-64	6'- 8 5/16"
78	(2) 6310-64 (1) 6310-65	7'- 2 13/16"
84	(1) 6310-64 (2) 6310-65	7'- 9 5/16"
90	(3) 6310-65	8'- 3 13/16"
96	(4) 6310-64	8'- 11"
102	(3) 6310-64 (1) 6310-65	9'- 5 1/2"
108	(2) 6310-64 (2) 6310-65	10'- 0"
114	(1) 6310-64 (3) 6310-65	10'- 6 1/2"
120	(4) 6310-65	11'- 1"
126	(2) 6310-63 (3) 6310-65	11'- 8 3/16"
132	(1) 6310-63 (1) 6310-64 (3) 6310-65	12'- 2 11/16"
138	(2) 6310-64 (3) 6310-65	12'- 9 3/16"
144	(1) 6310-64 (4) 6310-65	13'- 3 11/16"
150	(5) 6310-65	13'- 10 3/16"
156	(2) 6310-63 (4) 6310-65	14'- 5 3/8"
162	(1) 6310-63 (1) 6310-64 (4) 6310-65	14'- 11 7/8"
168	(2) 6310-64 (4) 6310-65	15'- 6 3/8"
174	(1) 6310-64 (5) 6310-65	16'- 0 7/8"
180	(6) 6310-65	16'- 7 3/8"
186	(2) 6310-63 (5) 6310-65	17'- 2 9/16"
192	(3) 6310-64 (4) 6310-65	17'- 9 1/16"
198	(2) 6310-64 (5) 6310-65	18'- 3 9/16"
204	(1) 6310-64 (6) 6310-65	18'- 10 1/16"
210	(7) 6310-65	19'- 4 9/16"
216	(4) 6310-64 (4) 6310-65	19'- 11 3/4"
222	(3) 6310-64 (5) 6310-65	20'- 6 1/4"
228	(2) 6310-64 (6) 6310-65	21'- 0 3/4"
234	(1) 6310-64 (7) 6310-65	21'- 7 1/4"
240	(8) 6310-65	22'- 1 3/4"

7 DOORS HIGH		
Rough Opening 3'– 4"		
Number of Tenants	Model Number (s) and Order Quantity	Rough Opening Width
21	(1) 6310-73	1'- 8 7/16"
28	(1) 6310-74	2'- 2 15/16"
35	(1) 6310-75	2'- 9 7/16"
42	(2) 6310-73	3'- 4 5/8"
49	(1) 6310-73 (1) 6310-74	3'- 11 1/8"
56	(2) 6310-74	4'- 5 5/8"
63	(1) 6310-74 (1) 6310-75	5'- 0 1/8"
70	(2) 6310-75	5'- 6 5/8"
77	(1) 6310-73 (2) 6310-74	6'- 1 13/16"
84	(3) 6310-74	6'- 8 5/16"
91	(2) 6310-74 (1) 6310-75	7'- 2 13/16"
98	(1) 6310-74 (2) 6310-75	7'- 9 5/16"
105	(3) 6310-75	8'- 3 13/16"
112	(4) 6310-74	8'- 11"
119	(3) 6310-74 (1) 6310-75	9'- 5 1/2"
126	(2) 6310-74 (2) 6310-75	10'- 0"
133	(1) 6310-74 (3) 6310-75	10'- 6 1/2"
140	(4) 6310-75	11'- 1"
147	(2) 6310-73 (3) 6310-75	11'- 8 3/16"
154	(1) 6310-73 (1) 6310-74 (3) 6310-75	12'- 2 11/16"
161	(2) 6310-74 (3) 6310-75	12'- 9 3/16"
168	(1) 6310-74 (4) 6310-75	13'- 3 11/16"
175	(5) 6310-75	13'- 10 3/16"
182	(2) 6310-73 (4) 6310-75	14'- 5 3/8"
189	(1) 6310-73 (1) 6310-74 (4) 6310-75	14'- 11 7/8"
196	(2) 6310-74 (4) 6310-75	15'- 6 3/8"
203	(1) 6310-74 (5) 6310-75	16'- 0 7/8"
210	(6) 6310-75	16'- 7 3/8"
217	(2) 6310-73 (5) 6310-75	17'- 2 9/16"
224	(3) 6310-74 (4) 6310-75	17'- 9 1/16"
231	(2) 6310-74 (5) 6310-75	18'- 3 9/16"
238	(1) 6310-74 (6) 6310-75	18'- 10 1/16"
245	(7) 6310-75	19'- 4 9/16"
252	(4) 6310-74 (4) 6310-75	19'- 11 3/4"
259	(3) 6310-74 (5) 6310-75	20'- 6 1/4"
266	(2) 6310-74 (6) 6310-75	21'- 0 3/4"
273	(1) 6310-74 (7) 6310-75	21'- 7 1/4"
280	(8) 6310-75	22'- 1 3/4"

Minimum wall depth 16 1/2"

6300 SERIES ROUGH OPENING WIDTH FORMULA:

Multiply total size "A"

(or equivalent "A" doors wide) by 6.5 inches..... =

Multiply total units by .6875 inches..... = + _____

+ .250 inches

Total rough opening width = _____ inches

Not USPS STD-4B+ approved



The Student Union building at the University of North Carolina— Greensboro has over 13,000 rear-loading Bommer mailboxes



MODEL 6111

**FRONT LOADING 6001 SERIES
REAR LOADING 6101 SERIES**

Compartment sizes of the 6001 and 6101 Series do not comply with USPS STD-4B+ regulations. These models are particularly suited for private distribution, such as campus post offices, military installations, hospitals and other installations where mail is handled internally.

MODEL 6011/6111

The 6011/6111 are composed of all size "1" doors.

MODEL 6031/6131

The 6031/6131 models are the same as the 6011/6111 except they contain one or more multiple size doors. A layout must accompany all orders.

SPECIFICATIONS

COMPARTMENT SIZE

- 5" high x 3 1/2" wide x 15" deep (standard)

DOOR LOCK

- 5-pin cam type with 2 keys (standard)
- Optional locks – see page 12

DOOR IDENTIFICATION

- 5/8" x 2" number slot, with plastic window (standard)
- Optional identification – see page 12

FINISH

- 628 natural anodized aluminum (standard)
- Optional finishes – see page 3

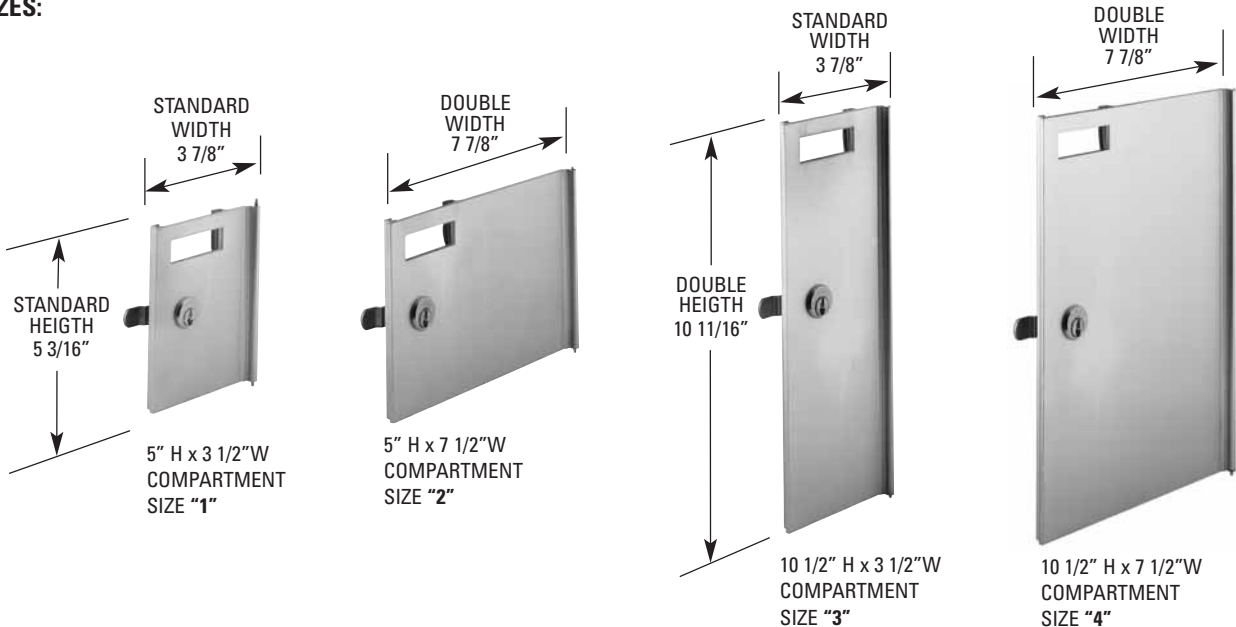
DIRECTORIES

- Side and separate and top mounted available – see page 13

SNAP-ON TRIM

- 9/16" x 1 1/2" extruded aluminum

OPTIONAL COMPARTMENT DOOR SIZES:



FRONT LOADER 6001 SERIES

REAR LOADER 6101 SERIES

4 UNITS HIGH				
Height Dimension: <i>Mailbox 1' - 10 1/2"</i> Rough Opening 1' - 11 1/2"				
Number of Tenants	Model Number (s) and Order Quantity	Approx. Shipping Weight in Pounds	Control Locks	Rough Wall Opening Width
11	6011-43	35	1	1'-1 3/8"
15	6011-44	42	1	1'-5 3/8"

4 UNITS HIGH			
Height Dimension: <i>Mailbox 1' - 10 1/2"</i> Rough Opening 1' - 11 1/2"			
Number of Tenants	Model Number (s) and Order Quantity	Approx. Shipping Weight in Pounds	Rough Wall Opening Width
12	6111-43	35	1'-0 15/16"
16	6111-44	42	1'-4 15/16"

5 UNITS HIGH				
Height Dimension: <i>Mailbox 2'-4"</i> Rough Opening 2'-5"				
Number of Tenants	Model Number (s) and Order Quantity	Approx. Shipping Weight in Pounds	Control Locks	Rough Wall Opening Width
14	6011-53	40	1	1'-1 3/8"
19	6011-54	50	1	1'-5 3/8"
24	6011-55	60	1	1'-9 3/8"

5 UNITS HIGH			
Height Dimension: <i>Mailbox 2'-4"</i> Rough Opening 2'-5"			
Number of Tenants	Model Number (s) and Order Quantity	Approx. Shipping Weight in Pounds	Rough Wall Opening Width
15	6111-53	40	1'-0 15/16"
20	6111-54	50	1'-4 15/16"
25	6111-55	60	1'-8 15/16"

6 UNITS HIGH				
Height Dimension: <i>Mailbox 2'-9 1/2"</i> Rough Opening 2'-10 1/2"				
Number of Tenants	Model Number (s) and Order Quantity	Approx. Shipping Weight in Pounds	Control Locks	Rough Wall Opening Width
17	(1)6011-63	47	1	1'-1 3/8"
23	(1)6011-64	59	1	1'-5 3/8"
29	(1)6011-65	70	1	1'-9 3/8"
35	(1)6011-66	82	1	2'-1 3/8"

6 UNITS HIGH			
Height Dimension: <i>Mailbox 2'-9 1/2"</i> Rough Opening 2'-10 1/2"			
Number of Tenants	Model Number (s) and Order Quantity	Approx. Shipping Weight in Pounds	Rough Wall Opening Width
18	(1)6111-63	47	1'-0 15/16"
24	(1)6111-64	59	1'-4 15/16"
30	(1)6111-65	70	1'-8 15/16"
36	(1)6111-66	82	2'-0 15/16"

7 UNITS HIGH				
Height Dimension: <i>Mailbox 3'-3"</i> Rough Opening 3'-4"				
Number of Tenants	Model Number (s) and Order Quantity	Approx. Shipping Weight in Pounds	Control Locks	Rough Wall Opening Width
20	(1)6011-73	53	1	1'-1 3/8"
27	(1)6011-74	66	1	1'-5 3/8"
34	(1)6011-75	80	1	1'-9 3/8"
41	(1)6011-76	93	1	2'-1 3/8"
48	(1)6011-77	107	1	2'-5 3/8"

7 UNITS HIGH			
Height Dimension: <i>Mailbox 3'-3"</i> Rough Opening 3'-4"			
Number of Tenants	Model Number (s) and Order Quantity	Approx. Shipping Weight in Pounds	Rough Wall Opening Width
21	(1)6111-73	53	1'-0 15/16"
28	(1)6111-74	66	1'-4 15/16"
35	(1)6111-75	80	1'-8 15/16"
42	(1)6111-76	93	2'-0 15/16"
49	(1)6111-77	107	2'-4 15/16"

6001 SERIES ROUGH WALL OPENING WIDTH FORMULA:

Multiply total size "1"
(or equivalent "1" doors wide) by 4 inches.... =
Multiply total units by 1.1875 inches..... = + _____
Total rough opening width = + .1875 inches
inches

6101 SERIES ROUGH WALL OPENING WIDTH FORMULA:

Multiply total size "1"
(or equivalent "1" doors wide) by 4 inches.... =
Multiply total units by .6875 inches..... = + _____
Total rough opening width = + .250 inches
inches

8 UNITS HIGH			
Height Dimension: <i>Mailbox 3'-8 1/2"</i> Rough Opening 3'-9 1/2"			
Number of Tenants	Model Number (s) and Order Quantity	Approx. Shipping Weight in Pounds	Rough Wall Opening Width
24	(1)6111-83	59	1'-0 15/16"
32	(1)6111-84	73	1'-4 15/16"
40	(1)6111-85	90	1'-8 15/16"
48	(1)6111-86	107	2'-0 15/16"
56	(1)6111-87	124	2'-4 15/16"

Minimum wall depth 16 1/2"

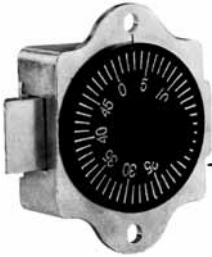
**OPTIONAL LOCKS & DOOR IDENTIFICATION
FOR HORIZONTAL MAILBOXES**



STANDARD CAM LOCK (670-07)

Bommer provides a cam type lock with 5-pin tumbler and 2 keys as standard equipment on all horizontal mailboxes. It can be supplied in 1,000 different key changes. To order replacement locks, contact factory.

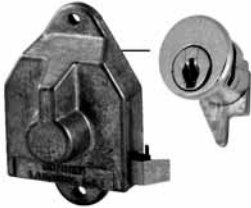
The following locks are available as options for Bommer horizontal mailboxes:



SUPPLIED BY BOMMER

COMBINATION LOCK (672-01)

3-digit, single dial type with spring latch and automatic throw-off. For dormitories or other installations not serviced by the Postal Service.



SPRING LATCH TYPE LOCK (671-04)

Includes 5-pin tumbler cylinder 670-08 with 2 keys and spring latch housing. Can be supplied in 1,000 different key changes. Not compatible with 660-06 window on size "1" door.

4-POINT LOCKING SYSTEM

Provides added protection against break-ins. When locked, the door is secured at two points each, top and bottom, and by reinforced continuous interlocking extrusions at the pivot side. The five-pin lock is available with 1,000 key changes.



Note: Available only for Series HS6200

DOOR IDENTIFICATION:

Choose from a variety of door identification items for Bommer mailboxes

CARDBOARD STRIP NUMBER TAB (660-01)

Furnished as standard (15/32" high x 1 7/8" wide) with mailbox units. Owners print Numbers on tab. Use with 660-08.

CARDBOARD NAME CARD (660-05)

Supplied as standard (3/8" high x 3 1/2" wide) for listing patron's name on interior of mailbox compartment in channel type holder built into unit. Visible only to postman.

PLEXIGLAS WINDOW

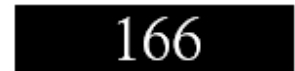
(660-06) Available as optional item (1 3/8" high x 2 1/4" wide).



Not permitted on units serviced by the Postal Service. Must state series of boxes window will be used on. Not compatible with 671-04 on size "1" door.

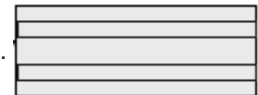
LAMINATED PLASTIC NUMBER TABS

(660-07) Black plastic engraved with white numerals (17/32" high x 2" wide). Available as optional items. Numbers to be engraved on tabs must be supplied with order. Use with 660-08.



TRANSPARENT PLASTIC WINDOW (660-08)

Furnished as standard window slot over cardboard or laminated plastic number tabs (7/8" high x 2" wide).



Use with 660-01 and 660-07.

Note: Engraved 1/2" high number on door also available.

SUPPLIED BY CUSTOMER



REMOVABLE CORE LOCK

Complete assembly, adapted by lock manufacturer to fit mailbox doors. Supplied by customer for installation by Bommer.

KEYED-IN CYLINDERS

Special cylinders keyed into building keying system, supplied by customer for installation with spring latch type housing. Cylinder numbers listed include special adaptation made by cylinder manufacturer. Not compatible with 660-06 window or size "1" door.



Assembly No	Pins	Manufacturer
A7115	5	Best
A7116	6	Best
A7117	7	Best
6060-12605A	5	Falcon
6060-12606A	6	Falcon
6060-12607A	7	Falcon

Cylinder No.	Manufacturer
954	Falcon
4101	Sargent
20-069	Schlage
145	Weslock
C1810	Yale
20-0106	Medeco

FOR HORIZONTAL MAILBOXES

TOP MOUNTED DIRECTORY FOR 6200/6300 SERIES ONLY

TYPE 6912

FOR FRONT LOADING MAILBOXES

TYPE 6913

FOR REAR LOADING MAILBOXES

Each directory panel of top mounted units will accommodate 10 name lines, 3/8" high x 4" wide.

Directory model number is designated by adding a suffix to the type number indicating the quantity of panels required in unit. Example: 6913-5 designates a directory having 5 panels, for use with a rear loading mailbox 5 standard compartments wide.



MODEL 6913-5
TOP MOUNTED DIRECTORY

MODEL 6330-75

SIDE OR SEPARATE MOUNTED DIRECTORY*

MODEL 6921-71

SIDE OR SEPARATE MOUNTED DIRECTORY

TYPE 6921

FOR FRONT & REAR LOADING MAILBOXES

Directories can be fabricated in the same heights as mailboxes, with name lines 3/8" high x 4" wide.

Directory model number is designated by adding a suffix to the type number indicating the height of directory unit in relation to standard height mailbox compartments and number of panels required. Example: 6921-72 designates a directory that is equivalent in height to a mailbox 7 standard compartments high and 2 panels wide. Directory capacity for models 1 panel wide are indicated below.

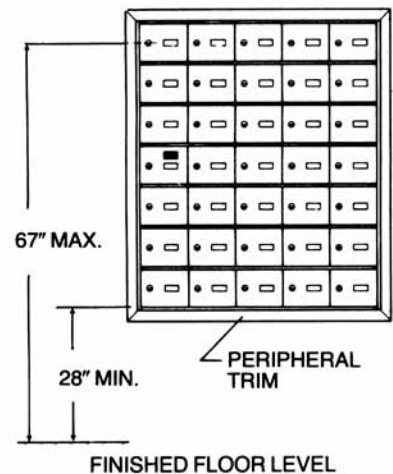
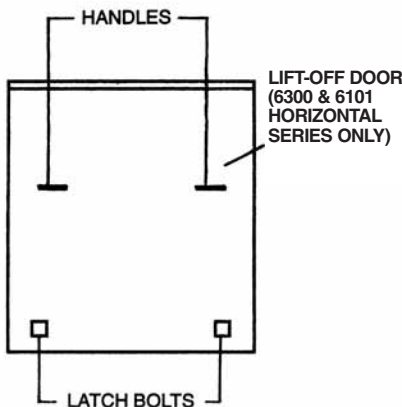
SPECIFICATIONS

- Surface mounted
- Pivoted panels
- Finishes to match mailboxes
- Snap-on trim available
- Extruded aluminum construction
- Panels are designed to accommodate 1/16" thick laminated plastic name strips supplied by owner or cardboard strips with name lines supplied with units.
- Directories are surface-mounted on walls, not attached to mailboxes, and require no wall cutout.

DIRECTORY CAPACITY	
Model No.	Name Lines
6921- 41	50
6921- 51	65
6921- 61	80
6921- 71	94

Directory Width: 6 1/2" x number of panels + 11/16"

* Trim must be specified on separate mounted directory.





REAR LOADING 6700 SERIES

The U.S.P.S. refers to this type of mailbox as an NDCBU (Neighborhood Delivery and Collection Box Unit).

Access to the compartments is from the rear through a hinged door(s). Extruded aluminum framing members and doors provide strength, resistance to corrosion and attractive appearance. Double-wall mail compartments are fabricated of extruded and sheet aluminum. Units are designed to meet or exceed U.S.P.S. Pub. 18 and Canada regulations. Mailboxes are completely assembled at the factory and only require mounting to the aluminum pedestal in the field. One compartment is convertible in all models for use as a mail collection receptacle, but must be requested.



Left to Right: MODEL 6710-42 and two MODEL 6730's

SPECIFICATIONS

COMPARTMENT SIZE

- 5" high x 6" wide x 15" deep

DOOR LOCK

- 5-pin cam type number 6708 with dust/rain shield and 3 keys
- Optional locks are not available

CONTROL DOOR LOCK

- Prepared for U.S.P.S. lock and Private Lock

DOOR IDENTIFICATION(

- Stamped numbers in doors, 1-8,1-12, 1-16 (standard)
- Optional – engraved doors

FINISH

- 628 natural anodized aluminum (standard)
- Optional finish–Powder Coat (see page 3)

MODEL NUMBER	U.S.P.S. NDCBU	COMPARTMENTS	DIMENSIONS	SHIPPING WT. (in lbs.)
6710-42	Type I	8 (4 high x 2 wide)	24 1/8" high X 13 15/16" wide	42
6710-43	Type II	12 (4 high x 3 wide)	24 1/8" high X 20 7/16" wide	57
6710-44	Type III	16 (4 high x 4 wide)	24 1/8" high X 26 15/16" wide	69
6701	Pedestal Only		31" high X 5 3/8" wide X 4" deep	19

COMPARTMENT OPTIONS FOR PEDESTAL MAILBOXES

Your local postmaster should be consulted to approve servicing units with multi-sized compartments prior to ordering. A mail collection receptacle will be furnished in one size "A" door if requested, at no extra charge. Should you desire a slot in the "B" or "D" door, an upcharge is necessary. These units are non-stock and available only in the configurations shown below.

COMPARTMENT SIZES:

- A = 5" high x 6" wide
- B = 5" high x 12 1/2" wide
- D = 10 1/2" high x 12 1/2" wide
- P2 = 10 1/2" high x 12 1/2" wide

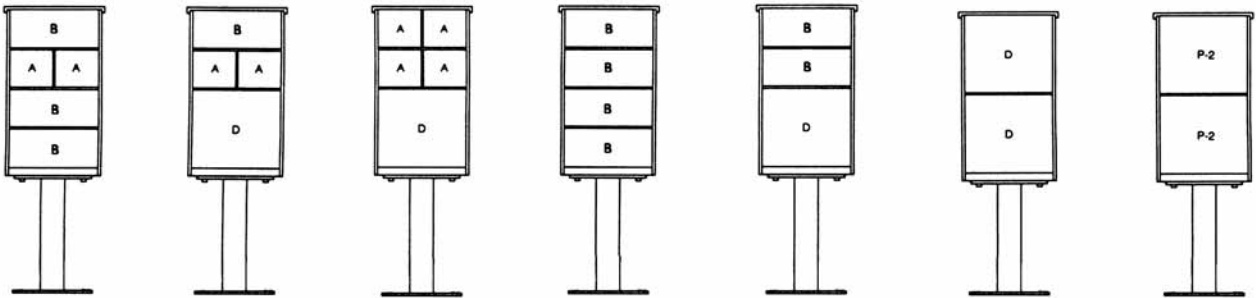
DOOR IDENTIFICATION:

Numbers engraved in door, 7 numbers maximum (customer to advise).

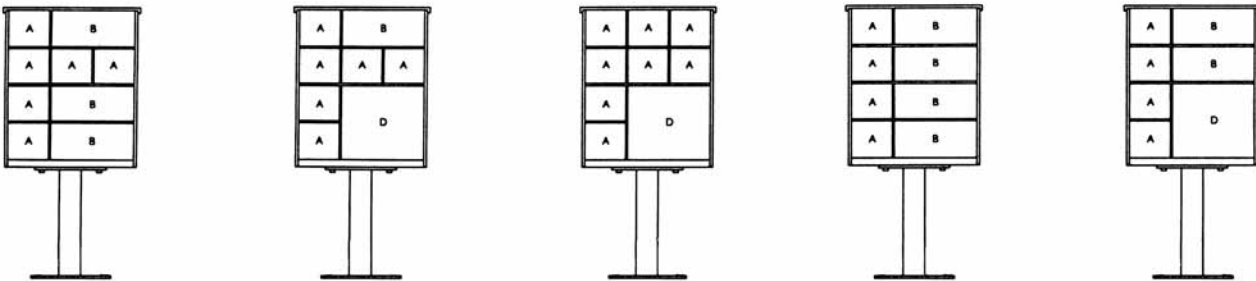
Note: The 6730 pedestal models are the same as the 6710 models except they contain one or more multiple size doors. A layout must accompany all orders. Pricing will be the same for both models.

All compartments are 15" deep.

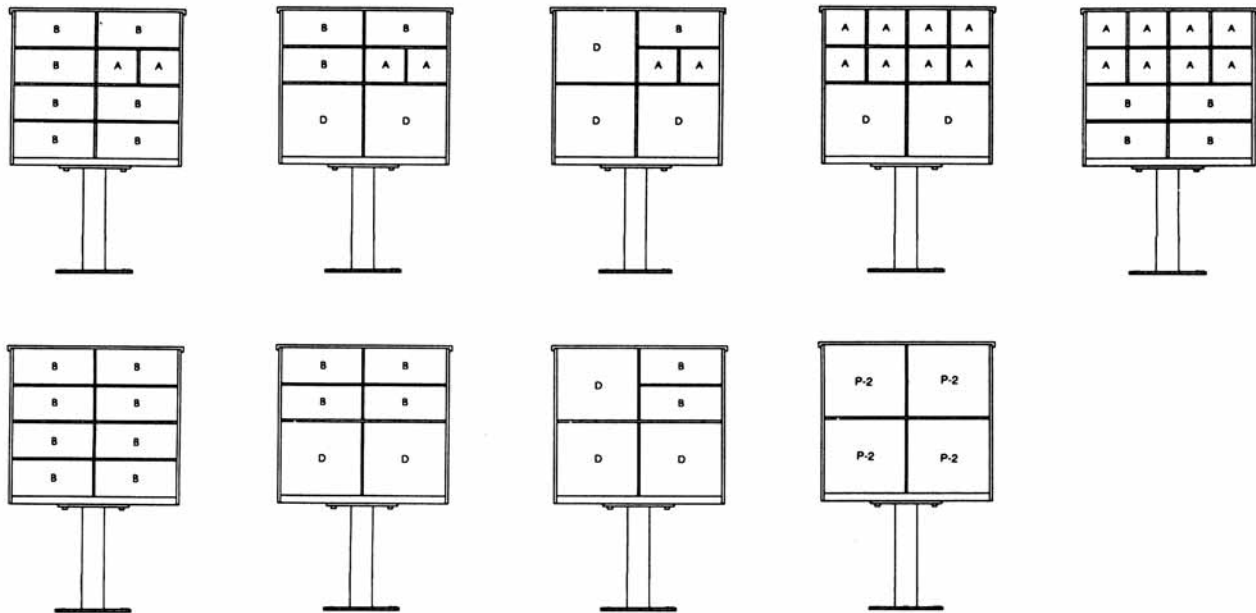
MODELS 6730-42



MODELS 6730-43



MODELS 6730-44



PEDESTAL PARCEL LOCKERS: Bommer also offers parcel lockers as an integral part of our 6200 and 6300 horizontal mailboxes, or mounted on pedestals for use with our 6700 series pedestal mailboxes. Parcel lockers are not approved by CANADA POST and cannot be prepared for the CANADA POST lock. A 5-pin control lock can be used after obtaining CANADA POST approval.

9040 SERIES

Each 9040 mailbox consists of 3 to 7 compartments enclosed within a wall box. Constructed of heavy gauge galvanized and chromated steel. Access for loading is gained by unlocking a USPS STD-4B+ control lock and pivoting the compartments forward.

U.S.P.S. STD-4B+ Approved



MODEL 9341
Aluminum full surface mounting frame



MODEL 9343
Aluminum semi-recess mounting frame (4" wall depth required)

SPECIFICATIONS

COMPARTMENT SIZE

- 15" high x 5" wide x 6" deep

DOOR LOCK

- 5-pin cam type with 2 keys (standard)
- Optional locks (see below)

DIRECTORIES

- See page 19

DOOR IDENTIFICATION

- Name and number slots in door with card holder (standard)
- Optional Identification (see below)

FINISH

- 628 natural anodized aluminum (standard)
- Optional finishes (see page 3)

OPTIONAL LOCKS AND DOOR IDENTIFICATION FOR MODEL 9040 VERTICAL MAILBOXES

DOOR LOCKS

1. Cam Type Lock (standard #670-07)
2. Spring Latch Type Lock
(#25323 with 5-pin lock)
(#25322 for keyed-in cylinders)
3. Removable Core Lock
(supplied by customer)

Assembly No.	Pins	Manufacturer
A7117	7	Best
6060-12607A	7	Falcon
4. Keyed-in Cylinders
(supplied by customer - see pg. 12)

DOOR IDENTIFICATION

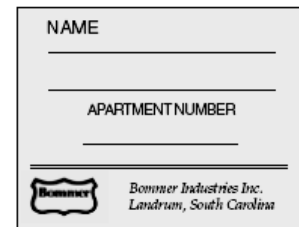
CARDBOARD NAME AND NUMBER TAB (25500)

Furnished as standard with mailbox units (1 7/16" high x 2 1/16" wide). Names and numbers are printed on tabs by owner.



CARDBOARD IDENTIFICATION TAB (25501)

Inserted in rear of compartment for use by mailman (1 15/16" high x 2 1/2" wide). Tab includes space for printing tenant name and apartment number.



LAMINATED PLASTIC NUMBER TABS (25502)

Black plastic engraved with white numerals (5/8" high x 1" wide). Available as optional items. Numbers to be engraved on tabs must be supplied with order.

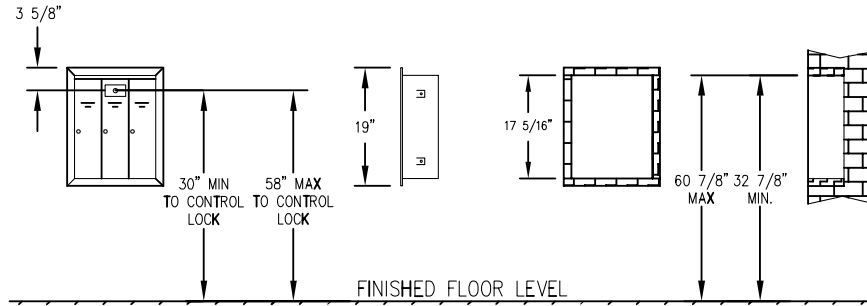


9 0 4 0 S E R I E S I N S T A L L A T I O N D E T A I L S

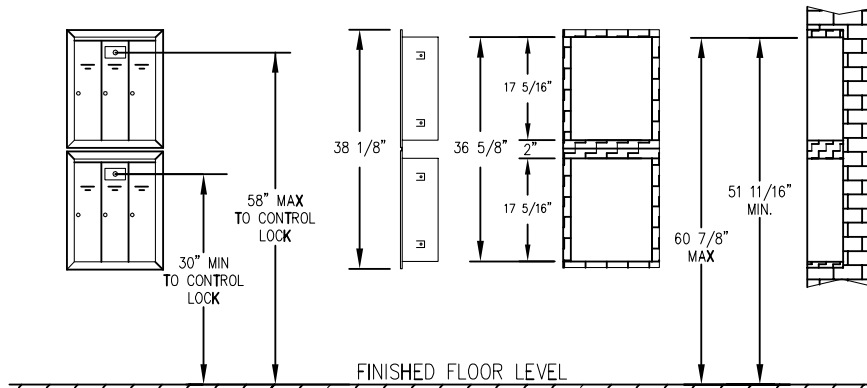
SINGLE ROW ROUGH WALL OPENING HEIGHT 1' 5 5/16"		DOUBLE ROW ROUGH WALL OPENING HEIGHT 36 5/8"		
Total No. of Tenants		Total No. of Tenants	Arrangements and No. Boxes in Each Row	Opening Width
3		6	3	1'- 5 3/8"
4		8	4	1'-10 7/8"
5		10	5	2'- 4 3/8"
6		12	6	2'- 9 7/8"
7		14	7	3'- 3 3/8"
8		16	4-4	3'-11"
9		18	5-4	4'- 4 1/2"
10		20	5-5	4'-10"
11		22	5-6	5'- 3 1/2"
12		24	6-6	5' - 9"
13		26	6-7	6' - 2 1/2"
14		28	7-7	6' - 8"
15		30	5-5-5	7'- 3 5/8"
16		32	5-6-5	7'-9 1/8"
17		34	6-5-6	8'- 2 5/8"
18		36	6-6-6	8'- 8 1/8"
19		38	6-7-6	9'- 1 5/8"
20		40	7-6-7	9'- 7 1/8"

SINGLE ROW ROUGH WALL OPENING HEIGHT 1' 5 5/16"		DOUBLE ROW ROUGH WALL OPENING HEIGHT 36 5/8"		
Total No. of Tenants		Total No. of Tenants	Arrangements and No. Boxes in Each Row	Opening Width
21		42	7-7-7	10'- 0 5/8"
22		44	5-6-6-5	10'- 8 1/4"
23		46	5-6-6-6	11'- 1 3/4"
24		48	6-6-6-6	11'- 7 1/4"
25		50	6-6-6-7	12'- 0 3/4"
26		52	7-6-6-7	12'- 6 1/4"
27		54	7-7-6-7	12'- 11 3/4"
28		56	7-7-7-7	13'- 5 1/4"
29		58	6-6-6-6-5	14'- 0 7/8"
30		60	6-6-6-6-6	14'- 6 3/8"
31		62	6-6-6-6-7	14'- 11 7/8"
32		64	6-6-6-7-7	15'- 5 3/8"
33		66	6-6-7-7-7	15'- 10 7/8"
34		68	6-7-7-7-7	16'- 4 3/8"
35		70	7-7-7-7-7	16'- 9 7/8"
36		72	6-6-6-6-6-6	17'- 5 1/2"
37		74	6-6-6-6-6-7	17'- 11"
38		76	7-6-6-6-6-7	18'- 4 1/2"

SINGLE ROW MOUNTED



DOUBLE ROW MOUNTED



9040 SERIES ROUGH OPENING WIDTH FORMULA:

Multiply total doors wide by 5.5 inches =

Multiply total units by 2.125 inches..... = + _____

Minus - 1.250 inches

Total rough opening width = _____ inches

MODEL 5770 (RETROFIT ONLY)

Each mailbox consists of 3 to 10 compartments enclosed within a wall box. The wall box and compartments are constructed of heavy gauge galvanized and chromated steel providing both durability and resistance to rust. Access for loading is gained by unlocking a control lock and pivoting the compartments forward.

Not USPS STD-4B+ Approved



MODEL 5770-5
For replacement only

COMPARTMENT SIZE:

- 15" high x 3 1/2" wide x 4" deep

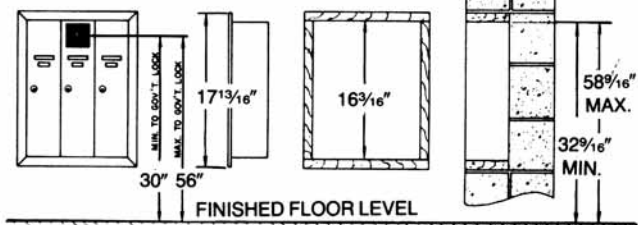
5770 SERIES ROUGH OPENING WIDTH FORMULA:

Multiply total doors wide by 4 inches..... = _____
 Multiply total units by 2.125 inches..... = + _____
 Minus - 1.250 inches
 Total rough opening width = _____ inches

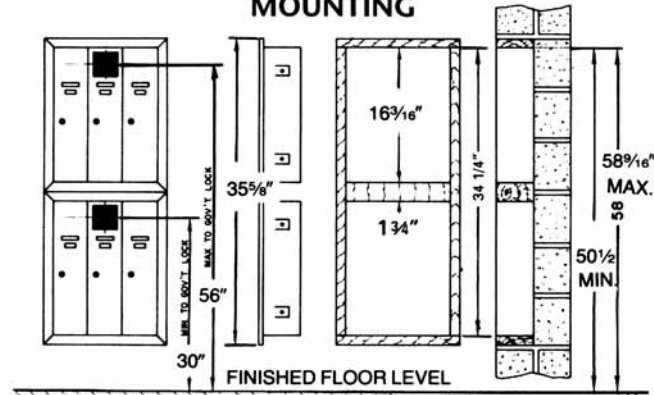
MOUNTING METHODS

- Recessed only

SINGLE ROW MOUNTING



DOUBLE ROW MOUNTING



SINGLE ROW ROUGH WALL OPENING HEIGHT 1' 4 3/16"		DOUBLE ROW ROUGH WALL OPENING HEIGHT 2' - 10"		
Total No. of Tenants		Total No. of Tenants	Arrangements and No. Boxes in Each Row	Opening Width
3		6	3	1'- 0 7/8"
4		8	4	1'- 4 7/8"
5		10	5	1'- 8 7/8"
6		12	6	2'- 0 7/8"
7		14	7	2'- 4 7/8"
8		16	8	2'- 8 7/8"
9		18	9	3'- 0 7/8"
10		20	10	3'- 4 7/8"

Note: Minimum rough wall depth for fully recessed units — 4 1/8"

D I R E C T O R Y A N D K E Y C A B I N E T S
F O R V E R T I C A L M A I L B O X

6921 Series Directory

- 6921-41 50 Name lines
(18 13/16" high x 6" wide)
- 6921-42 100 Name lines
(18 13/16" high x 10" wide)
- 6921-43 150 Name lines
(18 13/16" high x 14" wide)



MODEL 6921-43

SPECIFICATIONS

- Extruded aluminum construction
- Surface mounted
- Tamper resistant screws
- 628 natural anodized aluminum finish (standard) Optional Finishes see page 3.

KEY CABINETS

Bommer key cabinets are available in various capacities to suit almost any installation.

Panel hinges are pin and socket type for easy installation or expansion. Cabinets have continuous piano-type hinges with brass pins. Supplied in neutral sand color, powder coat finish.

Key tags are provided with each cabinet numbered from one to the capacity of the system ordered, unless otherwise specified. Bommer also provides 3-way index cards that allow cross-referencing by hook number, description of item locked and key serial number.



MODEL BKC-60

MODEL	KEY HANGING CAPACITY	SHIPPING WT. (In LBS.)	STEEL GAUGE	DIMENSIONS
BKC-60	60	10	18	17" HIGH X 13" WIDE X 3 1/4" DEEP
BKC-120	120	10	18	17" HIGH X 13" WIDE X 3 1/4" DEEP
BKC-160	160	17	18	20" HIGH X 16 1/2" WIDE X 5" DEEP
BKC-240	240	22	18	20" HIGH X 16 1/2" WIDE X 5" DEEP
BKC-330	330	23	18	20" HIGH X 16 1/2" WIDE X 5" DEEP
BKC-500	500	39	16	25 1/4" HIGH X 18" WIDE X 5 1/2" DEEP

Subject to Approval of Local Postal Authorities



HORIZONTAL STYLE UNITS

FRONT LOADING MODEL 462

REAR LOADING MODEL 463

- Available in special sizes to match height of 4,5,6 and 7 high 6200/6300 Series mailboxes



MODEL 462

SPECIFICATIONS

DOOR LOCK

- Prepared for U.S.P.S. lock (standard)
- Optional – spring latch no. 671-04 or 671-02 with keyed-in cylinder by others

SNAP-ON TRIM

- 9/16" x 1 1/2" extruded aluminum (standard)

CONSTRUCTION

- Extruded aluminum door 5/32" thick
- Extruded aluminum frame and trim
- Sheet aluminum compartment

IDENTIFICATION

- Front plate is engraved "LETTERS" (standard)
- Optional (as specified), 1" high

FINISH

- 628 natural anodized aluminum (standard)
- Optional finishes – see page 3

LETTER SLOT SIZE

- 1/2" high x 11 1/4" wide (with anti-theft mail deflector)

ROUGH OPENING DIMENSIONS:
(All units 16 1/2" deep)

MODEL NO.	HEIGHT	WIDTH
462-4	23 1/2"	14 3/8"
462-5	29"	14 3/8"
462-6	34 1/2"	14 3/8"
462-7	40"	14 3/8"

MODEL NO.	HEIGHT	WIDTH
463-4	23 1/2"	13 15/16"
463-5	29"	13 15/16"
463-6	34 1/2"	13 15/16"
463-7	40"	13 15/16"

VERTICAL STYLE UNITS

MODEL 491

- Recessed 6 1/2" in wall (projects 1/2")
- Mounting Frames for 491:
 - 498 – Semi-recessed 4" in wall (projects 3")
 - 499 – Surface mounted (projects 6 3/4")

SPECIFICATIONS

DOOR LOCK

- Prepared for U.S.P.S. lock (standard)
- Optional – 5-pin cam lock (no master keying)

CONSTRUCTION

- Extruded aluminum door 5/32" thick
- Extruded aluminum frame
- Galvanized and chromated steel compartment

IDENTIFICATION

- Front plate is engraved "LETTERS" (standard)
- Optional (as specified), 1" high

FINISH

- 628 natural anodized aluminum (standard)
- Optional finishes – see page 3

LETTER SLOT SIZE

- 1/2" high x 10" wide (with anti-theft mail deflector)

DIMENSIONS

- Frame: 18 13/16" high x 13 1/8" wide
- Compartment: 16 3/4" high x 11 1/4" wide
- Wall cutout: 17 5/16" high x 11 7/8" wide x 6 1/2" deep



MODEL 491-P
For private use

RECESSED UNITS

FRONT COLLECTION MODELS

465-4, 465-5, 465-6, 465-7

- Available in heights compatible with all front and rear loading horizontal mailboxes

ROUGH OPENING DIMENSIONS:

(All units 16 1/2" deep)

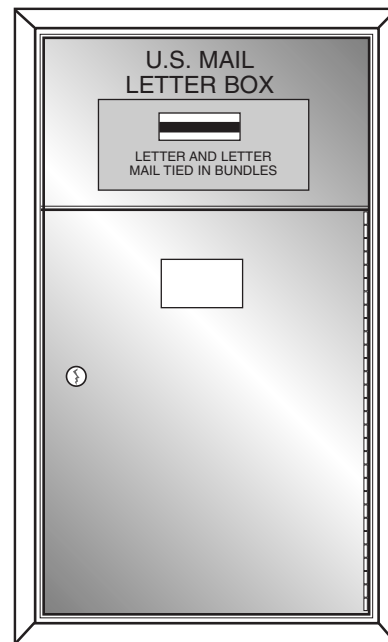
MODEL NO.	HEIGHT	WIDTH
465-4	23 1/2"	20 7/8"
465-5	29"	20 7/8"
465-6	34 1/2"	20 7/8"
465-7	40"	20 7/8"

REAR COLLECTION MODELS

466-4, 466-5, 466-6, 466-7

- Same construction as the front collection units except for a solid front panel of 1/8" aluminum and a lift off rear cover of 1/16" aluminum

MODEL NO.	HEIGHT	WIDTH
466-4	23 1/2"	20 7/16"
466-5	29"	20 7/16"
466-6	34 1/2"	20 7/16"
466-7	40"	20 7/16"



MODEL 465-7

SPECIFICATIONS

DOOR LOCK

- Prepared for U.S.P.S. lock (standard)
- Optional – 5-pin cam lock (no master keying)

CONSTRUCTION

- Mail removal door is 1/8" aluminum, swings on a continuous hinge and varies in height from 10 11/16" to 27 3/16"
- Compartment is of the same construction as the 6200, 6300, 6001 and 6101 Series horizontal mailboxes, except for a solid 1/16" rear cover
- Hopper door is 1/4" thick aluminum
- The front plate surrounding the hopper door is 1/8"

IDENTIFICATION

- Hopper door is engraved "LETTERS AND LETTER MAIL TIED IN BUNDLES"
- The front plate surrounding the hopper door is engraved "U.S. MAIL LETTER BOX"

FINISH

- 628 natural anodized aluminum (standard)
- Optional finishes – see page 3

BUNDLE OPENING

- Mail chute is 1/8" thick aluminum with an opening which will permit a bundle 6 1/8" x 11 1/2" x 4" to drop in the box. Opening is protected by inside baffle plate to prevent removal of mail from box through deposit opening.

SURFACE MOUNTED UNIT

MODEL 467

Same as 465/466 Series with the following exceptions:

- Unit is surface-mounted
- Compartment construction is 1/8" aluminum
- Unit is furnished one size only – 7 high
- Dimensions: 20 3/16" wide x 12 1/2" deep x 39" high



MODEL 467

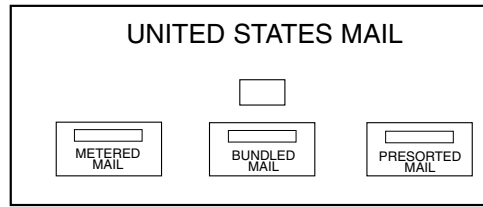
MAIL SORTING UNIT (PLATE FRONT)

USPS Approved



MODEL 464

Models available 1, 2, or 3 hopper doors wide.



Example: Model 464-5-3 is a unit 5 high with 3 hopper doors.

SPECIFICATIONS

CONSTRUCTION

- 1/4" thick face plate and hopper doors
- Hopper doors may be 1, 2 or 3 doors wide

FINISH

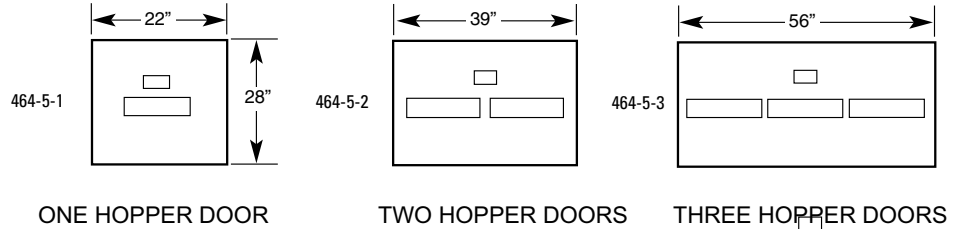
- 628 natural anodized aluminum (standard)
- Optional finishes – see page 3

IDENTIFICATION

- Two and three hopper face plates engraved "UNITED STATES MAIL" in 2" high letters
- One hopper face plate engraved "U.S. MAIL" in 2" high letters
- Hopper doors are engraved in 1" high letters

BUNDLE OPENING

- Hopper door opening will accommodate a bundle 6 1/8" x 11 1/2" x 4"



ROUGH OPENING DIMENSIONS

MODEL NO.	HEIGHT	WIDTH
464-5-1	25 3/4"	19 5/32"
464-5-2	25 3/4"	36 3/16"
464-5-3	25 3/4"	53 1/4"

MODELS 402 & 403 LETTER DROPS

SPECIFICATIONS

CONSTRUCTION

- Extruded aluminum
- Thru-wall liner included with model 403

FINISH

- 628 natural anodized aluminum (standard)
- Optional finishes – see page 3

IDENTIFICATION

- Slot door is engraved "U.S. MAIL" in 1" letters (standard)
- Optional (as specified)

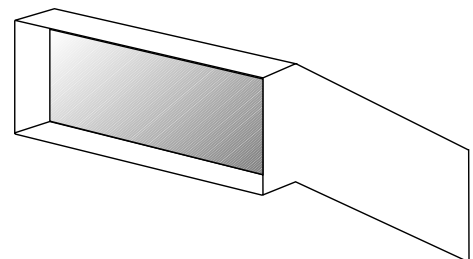
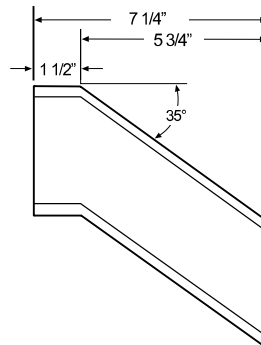
DIMENSIONS

- Frame Size – 5 7/8" high x 13" wide
- Door Size – 4" high x 11" wide
- Wall Cutout – 4 1/4" high x 11 3/8" wide

MODEL 402



MODEL 403
Includes Thru-wall liner. (shown)



PARCEL LOCKERS

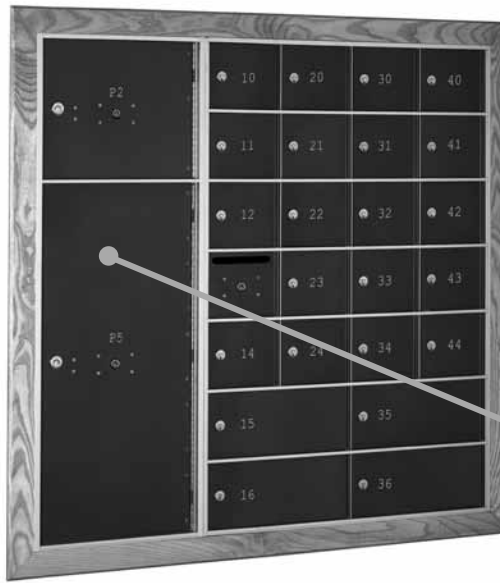
FRONT LOADING MODEL 562

REAR LOADING MODEL 563

SPECIFICATIONS

Doors are fabricated from 1/8" thick aluminum plate and have a continuous hinge for the entire height of the door. Rear loading model is equipped with a lift off cover. Each door has a dual lock mechanism that retains the tenant key until released by the postal control key. Door lock is a 5-pin cam lock and the key retainer lock is either an Arrow postal service lock or a Master dead bolt lock. Parcel lockers are compatible in size and construction and include trim to form an integral unit with the mailboxes and mail collection units. Standard finish is 628 natural anodized aluminum; optional finishes – see page 3.

Minimum wall depth 16 1/2"



MODEL 562-72
Shown next to model 6230-74 rear-loading mailboxes

PARCEL LOCKER DOORS ARE AVAILABLE IN A VARIETY OF COMPARTMENT SIZES:

- P2 – 10 1/2" high x 12 1/2" wide x 15 1/2" deep
- P3 – 16" high x 12 1/2" wide x 15 1/2" deep
- P4 – 21 1/2" high x 12 1/2" wide x 15 1/2" deep
- P5 – 27" high x 12 1/2" wide x 15 1/2" deep

*Recessed or Full Surface Mounting **

Permit the use of automatic-locking street entrance doors for apartments. Maintain security, but allow mailman to enter the building to distribute mail in conformance with U.S.P.S. regulations.

- MODEL 5620** – Loose key type prepared for U.S.P.S. lock (standard)
- MODEL 5621** – With key retractor and 24" chain only, prepared for U.S.P.S. lock
- MODEL 5622** – Same as 5620 with 5-pin cam lock no. 6708
- MODEL 5623** – Same as 5621 with 5-pin cam lock no. 6708
- MODEL 5624** – Same as 5620 but prepared to receive Medeco 5-pin cam lock supplied by customer for installation by Bommer
- MODEL 5626** – Same as 5621 but prepared to receive Medeco 5-pin cam lock supplied by customer for installation by Bommer

* Use 5641 full surface frame for surface mounting

SPECIFICATIONS

FINISH

- 628 natural anodized aluminum (standard)
- Optional finishes – see page 3

DIMENSIONS

- Frame size – 4 3/4" high x 6 3/8" wide
- Door size – 2 3/4" high x 4 3/8" wide
- Wall cutout size – 3" high x 4 3/4" wide x 1 3/4" deep



MODEL 5621



LIMITED WARRANTY

Bommer Industries, Inc. ("Bommer") warrants to purchasers that, for a period of one year from date of delivery, the Builders Hardware and Postal Specialties products manufactured by Bommer under the "Bommer" trademark or trade name are free from defects in workmanship and materials under normal use and regular service and maintenance. This warranty does not cover defects or damage arising from improper installation, lack of or improper maintenance, improper storage, shipping and handling, ordinary wear and tear, misuse, abuse, accident, unauthorized service, or use with unauthorized products or parts. This warranty is subject to the limitations of liability set forth below

THIS IS THE SOLE AND EXCLUSIVE WARRANTY GIVEN BY BOMMER WITH RESPECT TO THE PRODUCTS SOLD AND IS IN LIEU OF ANY AND ALL OTHER WARRANTIES, EXPRESS OR IMPLIED, ARISING BY OPERATION OF LAW OR OTHERWISE. ALL IMPLIED WARRANTIES, INCLUDING BUT NOT LIMITED TO THE WARRANTIES OF MERCHANTABILITY AND FITNESS FOR A PARTICULAR PURPOSE, ARE HEREBY EXCLUDED.

Written notice of a product covered by this warranty, and believed to be defective, must be sent to Bommer Industries, Inc., PO Box 187, Landrum, South Carolina 29356, within 30 days from the discovery of the alleged defects. The notice should include the purchaser's name and address, identification of the product, and a brief description of the claimed defect. Upon the receipt of such notice, Bommer will issue a Return Material Authorization (RMA) and Call Tag for the product in question for examination. In the event examination reveals a defect covered by this warranty, Bommer will, at its option, repair or replace the product, and return it or the replacement to the purchaser.

The sole and exclusive remedy of the purchaser, under this warranty or otherwise, shall be limited to repair or replacement of any products or component parts which are defective. Bommer will not pay for the costs of repair performed other than in accordance with this warranty. In no event will Bommer's liability to the purchaser and/or its customers include incidental, consequential or punitive damages resulting from use of these products, regardless of the form of the cause of action, whether based in contract, or tort.

The foregoing limitations and exclusions are intended to be effective to the maximum extent permitted by law. This warranty is governed by the law of the State of South Carolina without regard to its conflicts of law principles. Bommer and purchaser agree that the United Nations Convention on Contracts for the International Sale of Goods does not apply to sales of the products covered by this warranty.

Bommer Industries, Inc.
Factory and Warehouse
P.O. Box 187, 19810 Asheville Hwy.
Landrum, South Carolina 29356

Regional Warehouses

California:
2260 S. Haven Ave.
Suite C
Ontario, CA 91761

Washington:
1410 37th Street NW
Suite D
Auburn, WA 98001

Central:
17501 W 98th St # 26-32
Lenexa, KS 66219

MSDS Statement: Bommer Industries, Inc. is a manufacturer of Builders Hardware and Postal Specialties: SIC CODE #3429 Standard Industrial Classification. Our products, when used in accordance with our instructions, are classified as an Article in the Federal Register (Section 372.3). Items classified as ARTICLES are exempt from supplier's notification of toxic materials (Federal Register # 372.45). Our hardware and mailboxes do not create a chemical exposure under California's Proposition #65, when used in accordance with our instructions