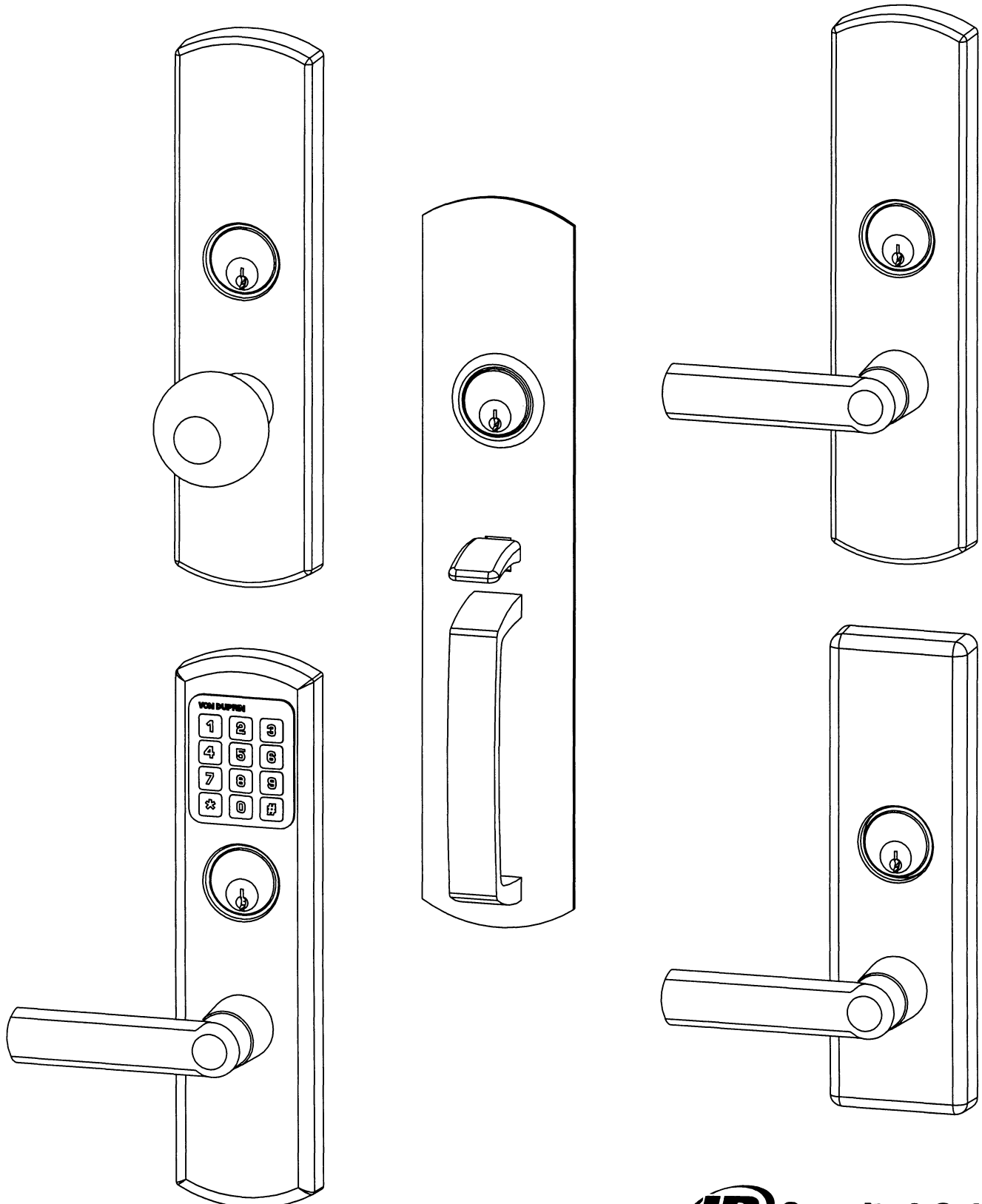


VON DUPRIN

PARTS MANUAL

MARCH 1999

990 SERIES OUTSIDE TRIM



INDEX

General Information

How to Order	2
Finishes	2

990 Series Trim

EO Trim	3
DT Trim – RMV (Rim, Mortise, Vertical)	3
NL – R&V Trim	4
NL – M Trim	4
TP – R&V Trim	5
TP – BE – R&V Trim	5
TP – M Trim	6
TP – BE – M Trim	6

991K Series Trim

R&V Trim	7
BE – R&V Trim	8
NL – R&V Trim	9
M Trim	10
BE – M Trim	11
NL – M Trim	12
DT Trim – RVM (Rim, Vertical, Mortise).....	13

992L Series Trim

RVM Lever Designs	14
R&V Trim	15
BE – R&V Trim	16
NL – R&V Trim	17
M Trim	18
BE – M Trim	19
NL – M Trim	20
DT Trim – RVM (Rim, Vertical, Mortise) ...	21
DT or Rigid Conversion Kit	22
Replacement Cam Kit w/Slider	22
Replacement Cam Kit Less Slider	22

994L Series Trim

RVM Lever Designs	23
R&V Trim	24
BE – R&V Trim	24
NL – R&V Trim	25
NL – M Trim	25
DT Trim – RVM (Rim, Vertical, Mortise) ...	25
BE – M Trim	26
M Trim	26
CV Trim (Concealed Vertical)	27
BE – CV Trim	27

KP992L Series Trim

R&V Trim	28
BE – R&V Trim	28
NL – R&V Trim	29
DT Trim – RVM (Rim, Vertical, Mortise) ...	29
BE – M Trim	30
M Trim	30
NL – M Trim	31
Keypad PCB Assembly	32

INTRODUCTION

This Manual contains a listing of replaceable parts and assemblies for the 990 Series Outside Trim.

HOW TO ORDER

Some parts are sold separately. Other items are available as part of an assembly. For the best possible service when ordering replacement parts or assemblies, please provide the following information:

- Part or Assembly number
- Description
- Quantity needed
- Finish desired (if available finished)
- Date of original purchase, if known

To find out the name of your local Von Duprin distributor or sales representative, contact:

Von Duprin Division
Ingersoll–Rand Company
2720 Tobey Drive
Indianapolis, Indiana 46219
Phone: (800) 999–0408
Fax: (800) 999–0328

PART NUMBER CHANGES

This manual reflects the product as sold in March 1999. Because of changes to the product and/or manufacturing process, part numbers can change.

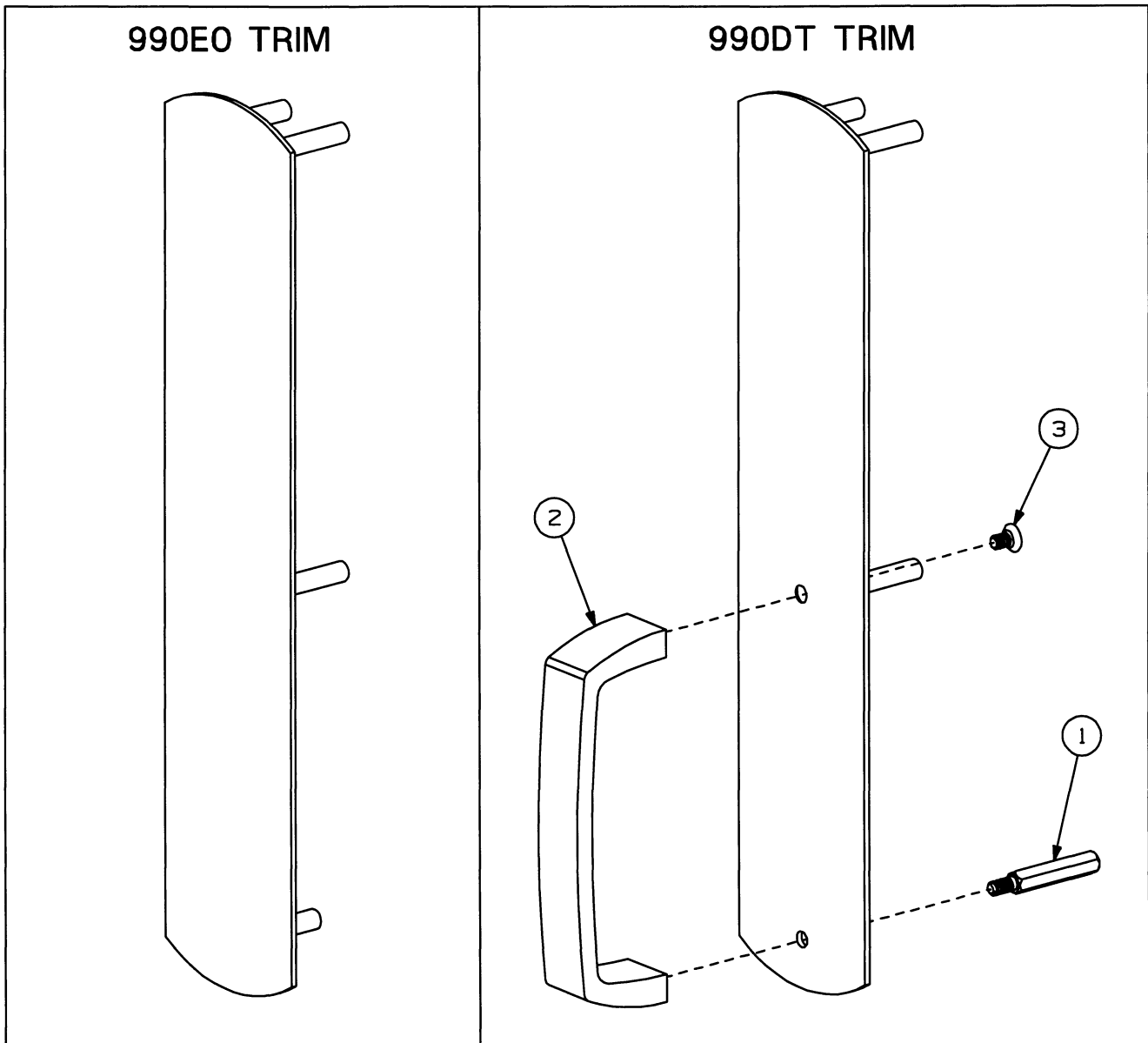
TRIM FINISHES

U.S. Std. Reference	BHMA Reference	Description
US3	605	Polished Brass
US4	606	Dull Brass
US10	612	Dull Bronze
US26	625	Polished Chrome
US26D	626	Dull Chrome
US28	628	Anodized Alum. (Clear)
US32D	630	Satin Stainless Steel
313AN	710	Anodized Alum. (313) Dark Bronze
US19	711	Anodized Alum. (Black)

990EO & 990DT TRIM

ITEM NO.	QTY	PART NO.	DESCRIPTION	FINISH
	1	900853	990 Trim Screw Pack (1-3/4 & 2-1/4)	X
1	1	956760	Hex Stud	
2	1	959122	Pull Grip 608/696/880/990	X
3	1	963579	#12-24 X 3/8 UFPHMS	

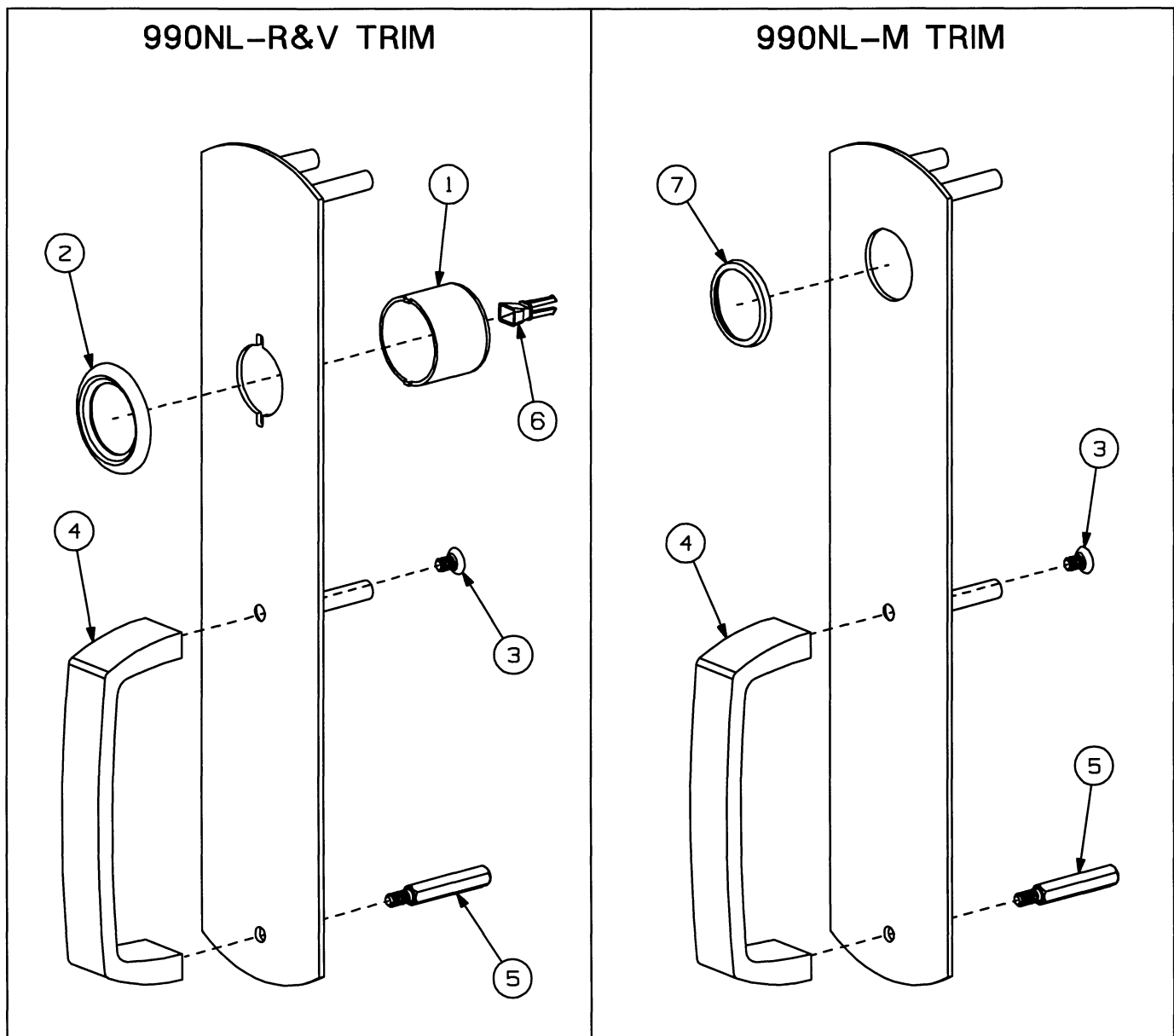
X DESIGNATES FINISHED ITEMS AND FINISH MUST BE SPECIFIED WHEN ORDERING



990NL-R&V & 990NL-M TRIM

ITEM NO.	QTY	PART NO.	DESCRIPTION	FINISH
	1	900853	990 Trim Screw Pack (1-3/4 & 2-1/4)	X
1	1	968201	Cylinder Retaining Cup	
2	1	965226	Cylinder Collar 880-R/990-R	X
3	1	963579	#12-24 X 3/8 UFPMS	
4	1	959122	Pull Grip 608/696/880/990	X
5	1	956760	Hex Stud	
6	1	050156	Tailpiece Guide Lead Kit (Pack of 10)	
7	1	961267	Cylinder Collar 880-M/990-M/696/334	X

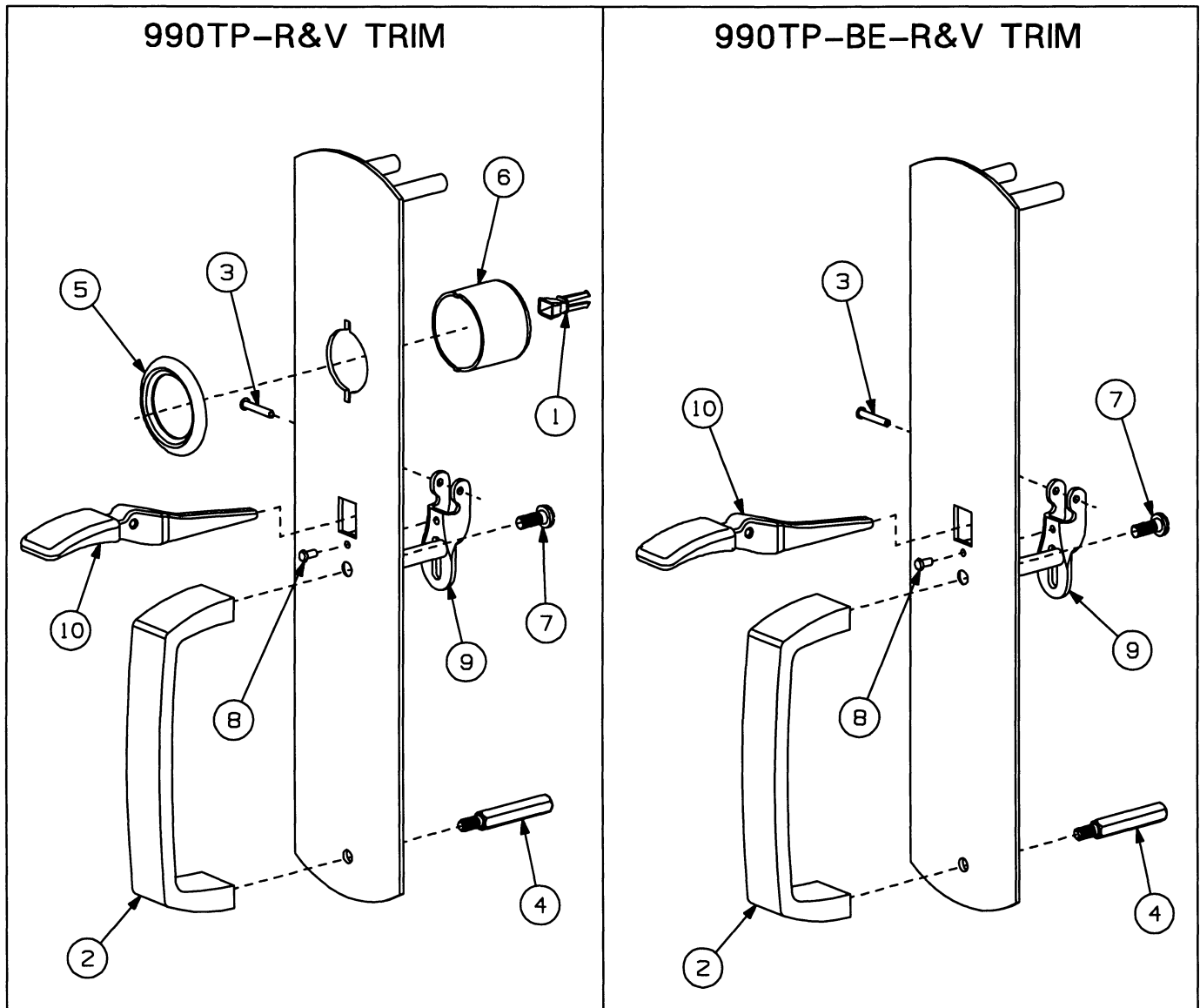
X DESIGNATES FINISHED ITEMS AND FINISH MUST BE SPECIFIED WHEN ORDERING



990TP-R&V & 990TP-BE-R&V TRIM

ITEM NO.	QTY	PART NO.	DESCRIPTION	FINISH
	1	900853	990 Trim Screw Pack (1-3/4 & 2-1/4)	X
1	1	050156	Tailpiece Guide Lead Kit (Pack of 10)	
2	1	959122	Pull Grip 608/696/880/990	X
3	1	959603	Thumbpiece Axle 608/696/880/990	
4	1	956760	Hex Stud	
5	1	965226	Cylinder Collar 880-R/990-R	X
6	1	968201	Cylinder Retaining Cup	
7	1	965237	TP Bracket Screw 880/990	
8	1	969348	Rivet	
9	1	969353	Thumbpiece Bracket 880/990	
10	1	970488	Thumbpiece 880TP-R/990TP-R	X

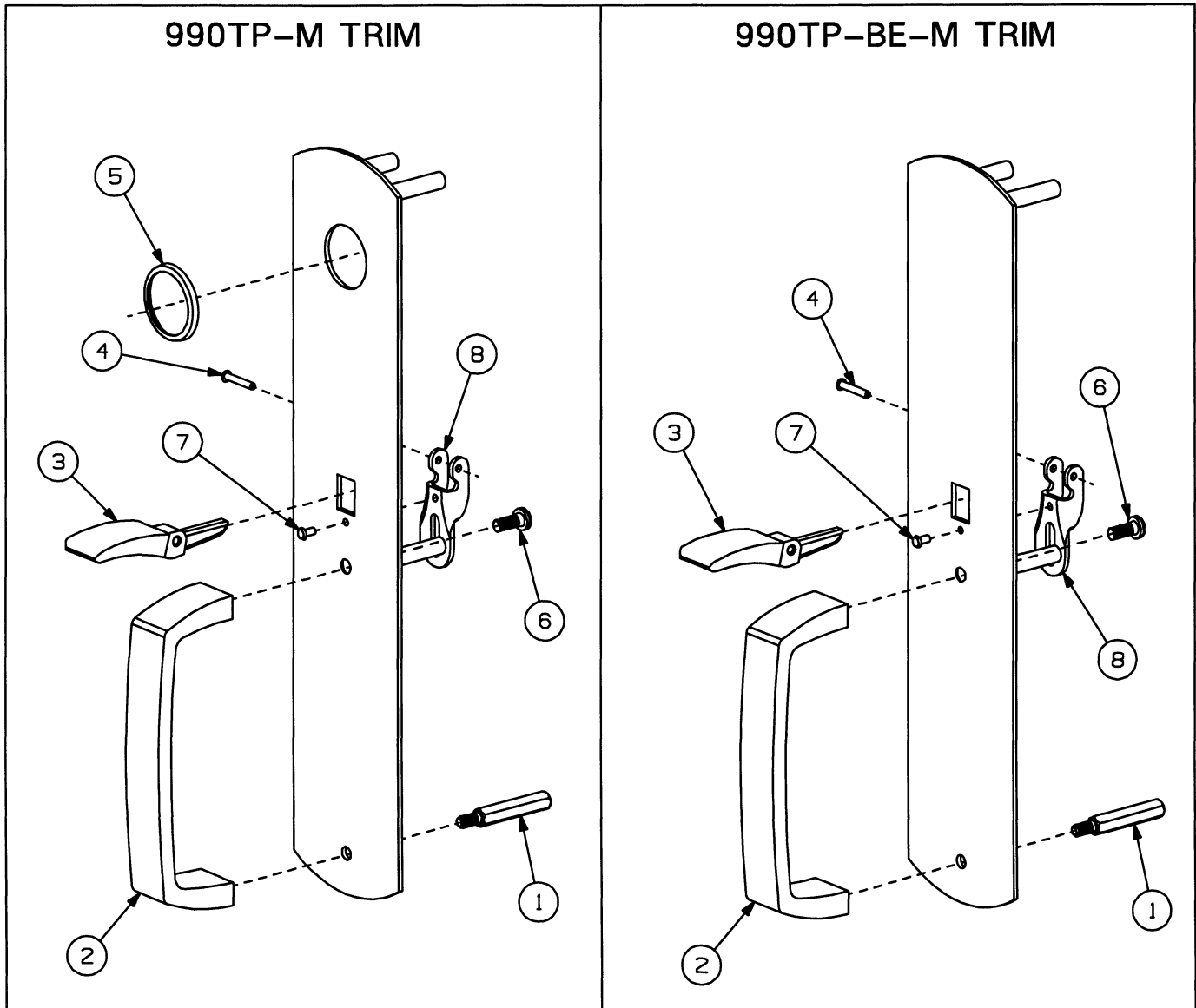
X DESIGNATES FINISHED ITEMS AND FINISH MUST BE SPECIFIED WHEN ORDERING



990TP-M & 990TP-BE-M TRIM

ITEM NO.	QTY	PART NO.	DESCRIPTION	FINISH
	1	900853	990 Trim Screw Pack (1-3/4 & 2-1/4)	X
1	1	956760	Hex Stud	
2	1	959122	Pull Grip 608/696/880/990	X
3	1	959575	Thumbpiece 696/990-M/608/880-MV	X
4	1	959603	Thumbpiece Axle 608/696/880/990	
5	1	961267	Cylinder Collar 880-M/990-M/696/334	X
6	1	965237	TP Bracket Screw 880/990	
7	1	969348	Rivet	
8	1	969353	Thumbpiece Bracket 880/990	

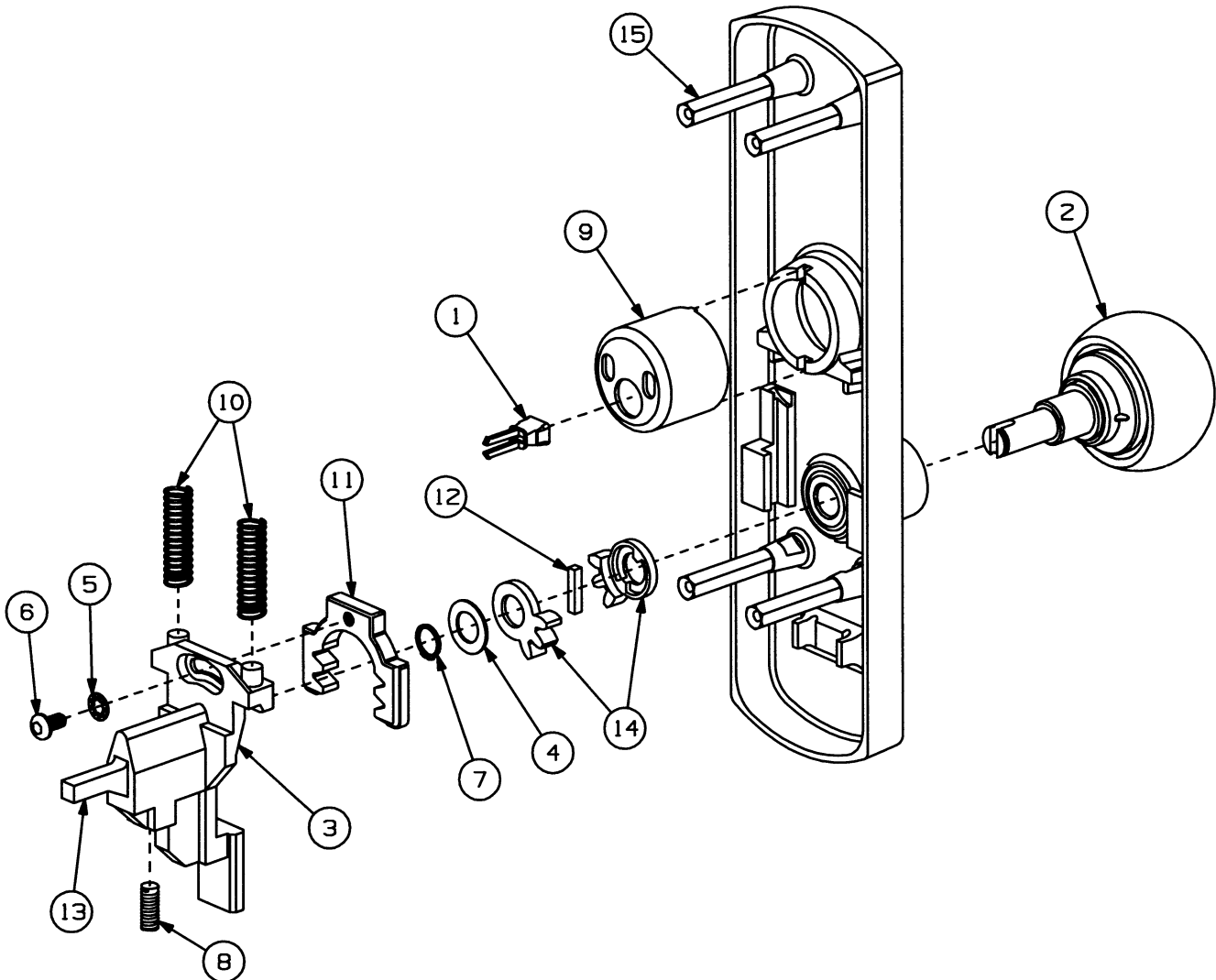
X DESIGNATES FINISHED ITEMS AND FINISH MUST BE SPECIFIED WHEN ORDERING



991K - R&V TRIM

ITEM NO.	QTY	PART NO.	DESCRIPTION	FINISH
	1	900920	991/992/994 Trim Screw Pack (1-3/4" - 2-1/4")	
1	1	050156	Tailpiece Guide Lead Kit (Pack of 10)	
2	1	110537	Orbit Knob Assembly - 991K Trim	X
3	1	110768	Slider Sub-Assembly - 991K-R&V	
4	1	963105	Flat Washer	
5	1	963925	#10 Int. Tooth Lock Washer - 991K/992L	
6	1	964086	10-24 X 3/8 Button Head Cap Screw	
7	1	964285	Retaining Ring	
8	1	964353	1/4-20 X 5/8 Socket Set Screw	
9	1	968201	Cylinder Retaining Cup	
10	2	969012	Spring - 991K Trim	
11	1	969537	Slider Rack - 991K	
12	1	969544	Straight Key - 991K	
13	1	969545	R&V Finger - 991K/992L	
14	2	969551	Pinion Gear - 991K	
15	4	971440	Hex Stud 1/4-20(M) X 10-24(F) 991K/992L Trim	

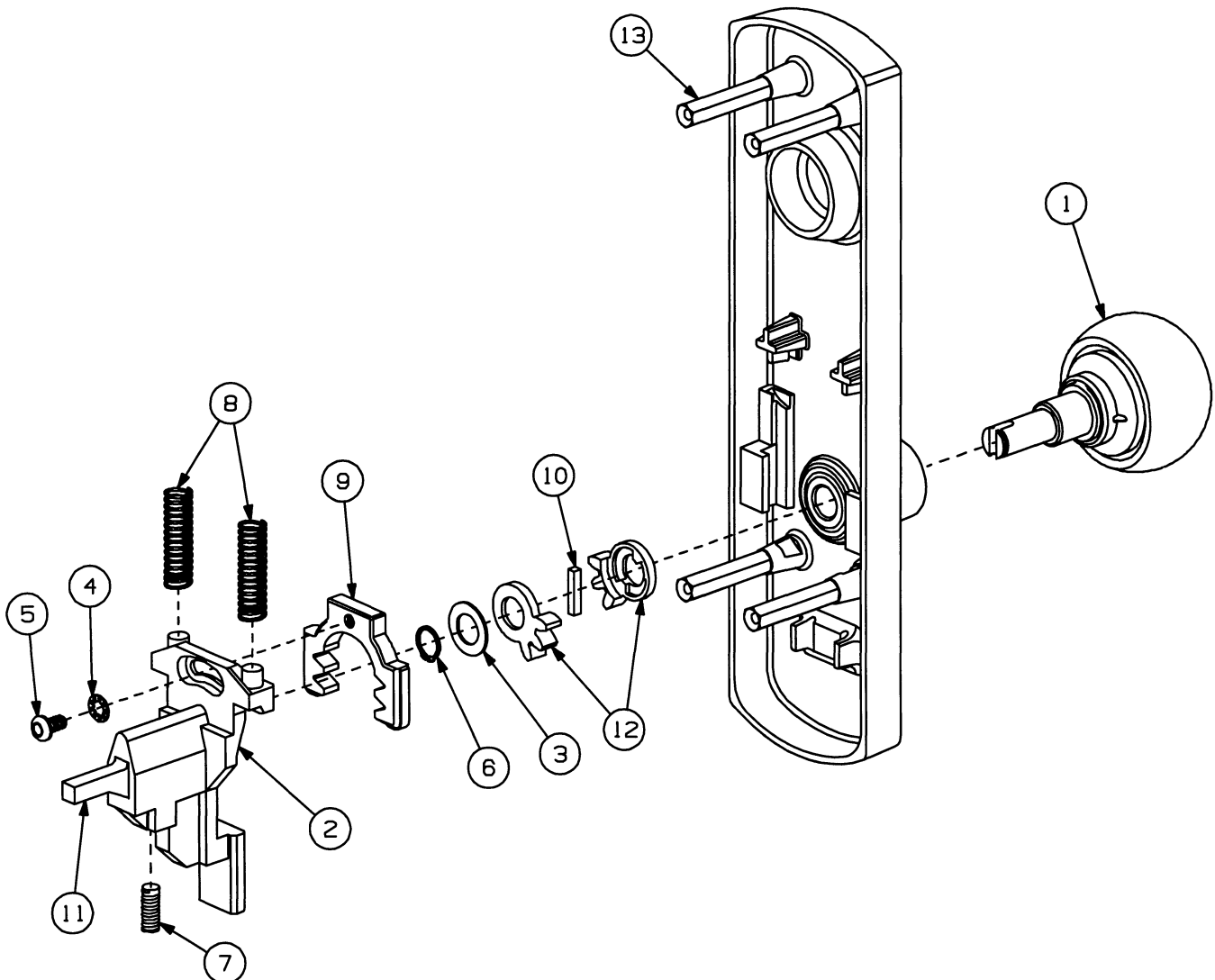
X DESIGNATES FINISHED ITEMS AND FINISH MUST BE SPECIFIED WHEN ORDERING



991K – BE – R&V TRIM

ITEM NO.	QTY	PART NO.	DESCRIPTION	FINISH
	1	900920	991/992/994 Trim Screw Pack (1-3/4" - 2-1/4")	
1	1	110537	Orbit Knob Assembly - 991K Trim	X
2	1	110768	Slider Sub-Assembly - 991K-R&V	
3	1	963105	Flat Washer	
4	1	963925	#10 Int. Tooth Lock Washer - 991K/992L	
5	1	964086	10-24 X 3/8 Button Head Cap Screw	
6	1	964285	Retaining Ring	
7	1	964353	1/4-20 X 5/8 Socket Set Screw	
8	2	969012	Spring - 991K Trim	
9	1	969537	Slider Rack - 991K	
10	1	969544	Straight Key - 991K	
11	1	969545	R&V Finger - 991K/992L	
12	2	969551	Pinion Gear - 991K	
13	4	971440	Hex Stud 1/4-20(M) X 10-24(F) 991K/992L Trim	

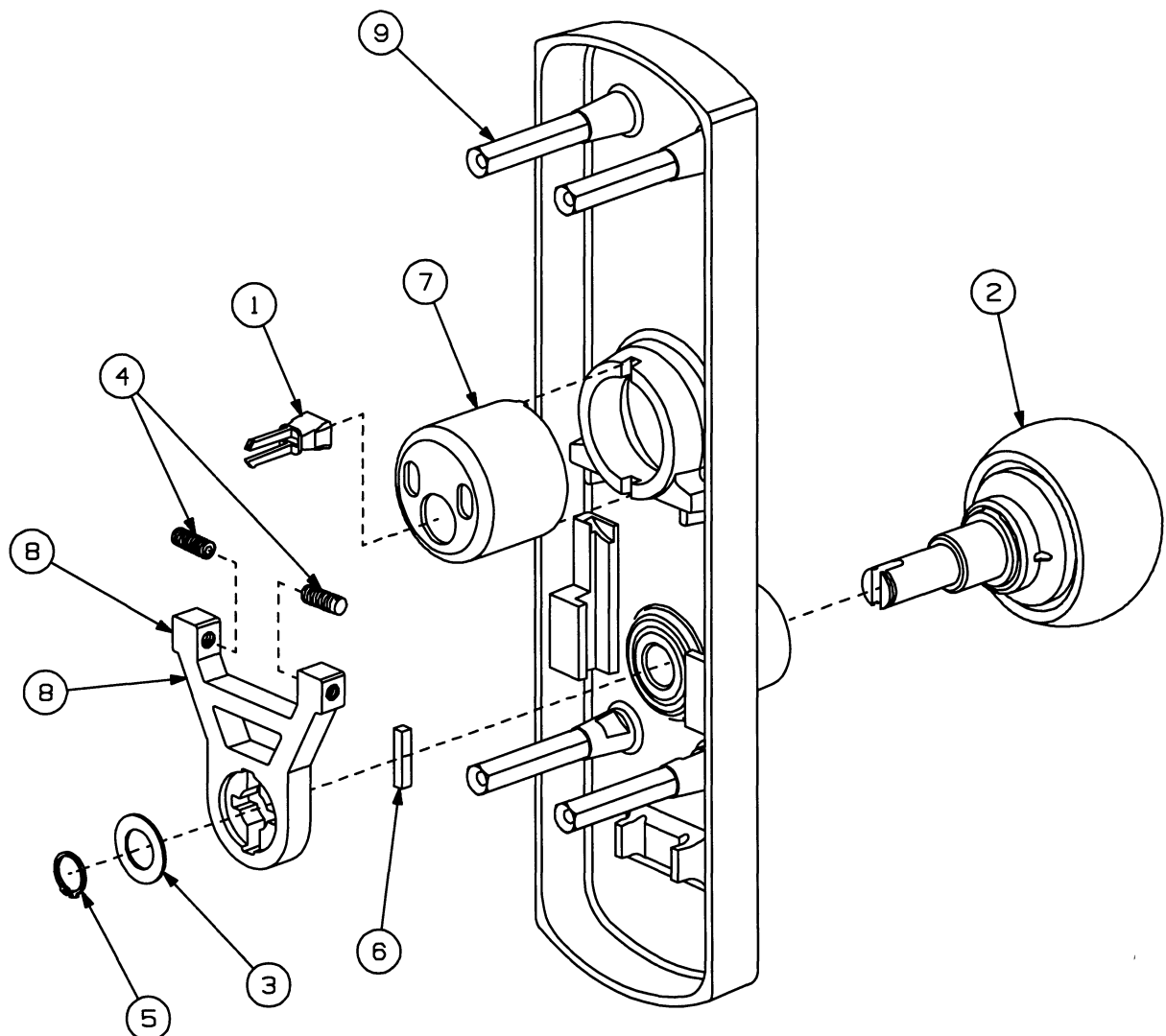
X DESIGNATES FINISHED ITEMS AND FINISH MUST BE SPECIFIED WHEN ORDERING



991K – NL R&V TRIM

ITEM NO.	QTY	PART NO.	DESCRIPTION	FINISH
	1	900920	991/992/994 Trim Screw Pack (1-3/4" - 2-1/4")	
1	1	050156	Tailpiece Guide Lead Kit (Pack of 10)	
2	1	110537	Orbit Knob Assembly - 991K Trim	X
3	1	963105	Flat Washer	
4	2	964183	10-24 X 1/2" Socket Cap Screw	
5	1	964285	Retaining Ring	
6	1	969544	Straight Key - 991K	
7	1	968201	Cylinder Retaining Cup	
8	1	970117	DT Yoke - 991K/992L (DT and Rigid)	
9	4	971440	Hex Stud 1/4-20(M) X 10-24(F) 991K/992L Trim	

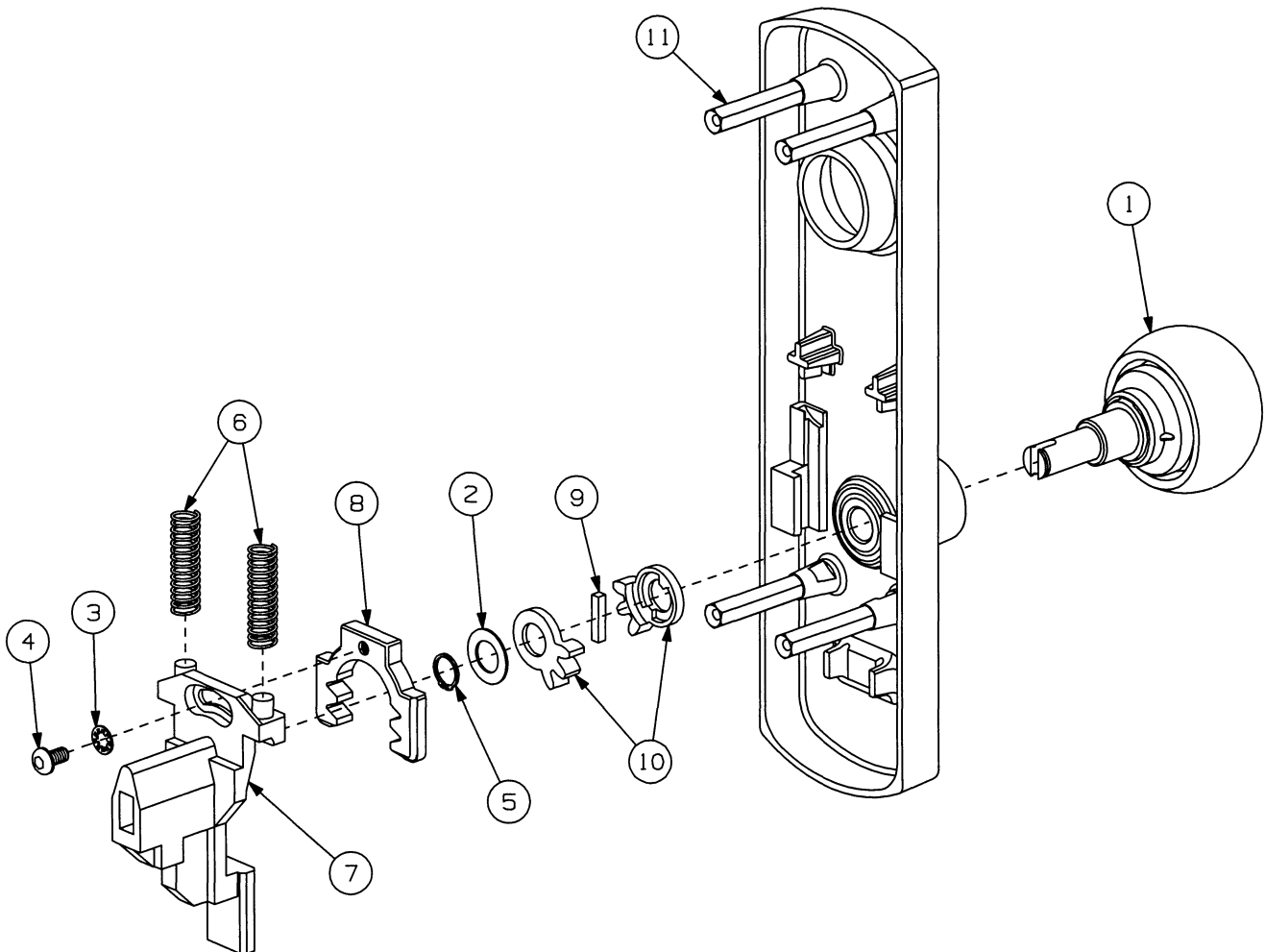
X DESIGNATES FINISHED ITEMS AND FINISH MUST BE SPECIFIED WHEN ORDERING



991K – M TRIM

ITEM NO.	QTY	PART NO.	DESCRIPTION	FINISH
	1	900920	991/992/994 Trim Screw Pack (1-3/4" - 2-1/4")	
1	1	110537	Orbit Knob Assembly - 991K Trim	X
2	1	963105	Flat Washer	
3	1	963925	#10 Int. Tooth Lock Washer - 991K/992L	
4	1	964086	10-24 X 3/8 Button Head Cap Screw	
5	1	964285	Retaining Ring	
6	2	969012	Spring - 991K Trim	
7	1	969535	Slider	
8	1	969537	Slider Rack - 991K	
9	1	969544	Straight Key - 991K	
10	2	969551	Pinion Gear - 991K	
11	4	971440	Hex Stud 1/4-20(M) X 10-24(F) 991K/992L Trim	

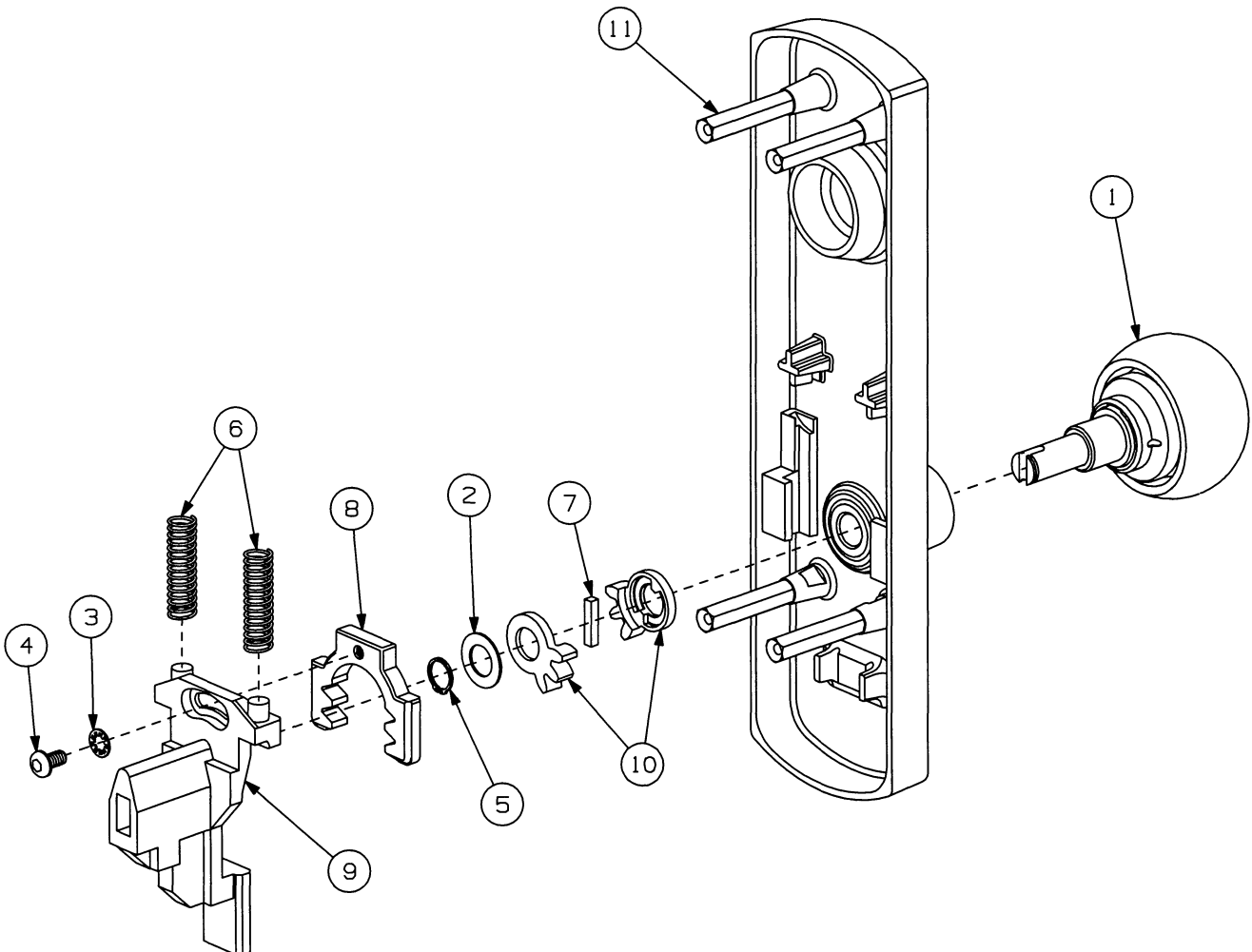
X DESIGNATES FINISHED ITEMS AND FINISH MUST BE SPECIFIED WHEN ORDERING



991K – BE – M TRIM

ITEM NO.	QTY	PART NO.	DESCRIPTION	FINISH
	1	900920	991/992/994 Trim Screw Pack (1-3/4" - 2-1/4")	
1	1	110537	Orbit Knob Assembly - 991K Trim	X
2	1	963105	Flat Washer	
3	1	963925	#10 Int. Tooth Lock Washer - 991K/992L	
4	1	964086	10-24 X 3/8 Button Head Cap Screw	
5	1	964285	Retaining Ring	
6	2	969012	Spring - 991K Trim	
7	1	969544	Straight Key - 991K	
8	1	969537	Slider Rack - 991K	
9	1	969535	Slider	
10	2	969551	Pinion Gear - 991K	
11	4	971440	Hex Stud 1/4-20(M) X 10-24(F) 991K/992L Trim	

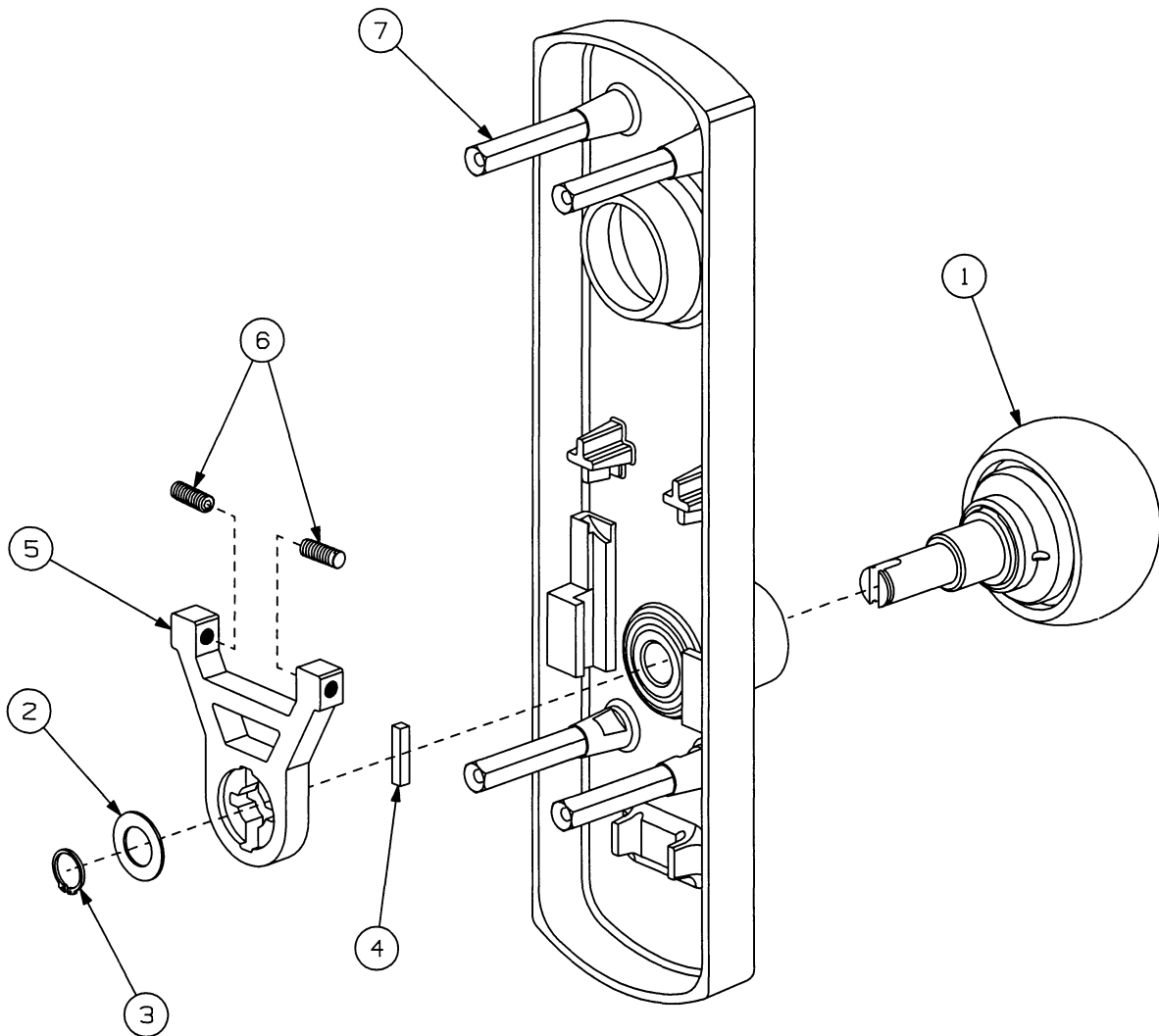
X DESIGNATES FINISHED ITEMS AND FINISH MUST BE SPECIFIED WHEN ORDERING



991K – NL M TRIM

ITEM NO.	QTY	PART NO.	DESCRIPTION	FINISH
	1	900920	991/992/994 Trim Screw Pack (1-3/4" - 2-1/4")	
1	1	110537	Orbit Knob Assembly - 991K Trim	X
2	1	963105	Flat Washer	
3	1	964285	Retaining Ring	
4	1	969544	Straight Key - 991K	
5	1	970117	DT Yoke - 991K/992L (DT and Rigid)	
6	2	964183	10-24 X 1/2" Socket Cap Screw	
7	4	971440	Hex Stud 1/4-20(M) X 10-24(F) 991K/992L Trim	

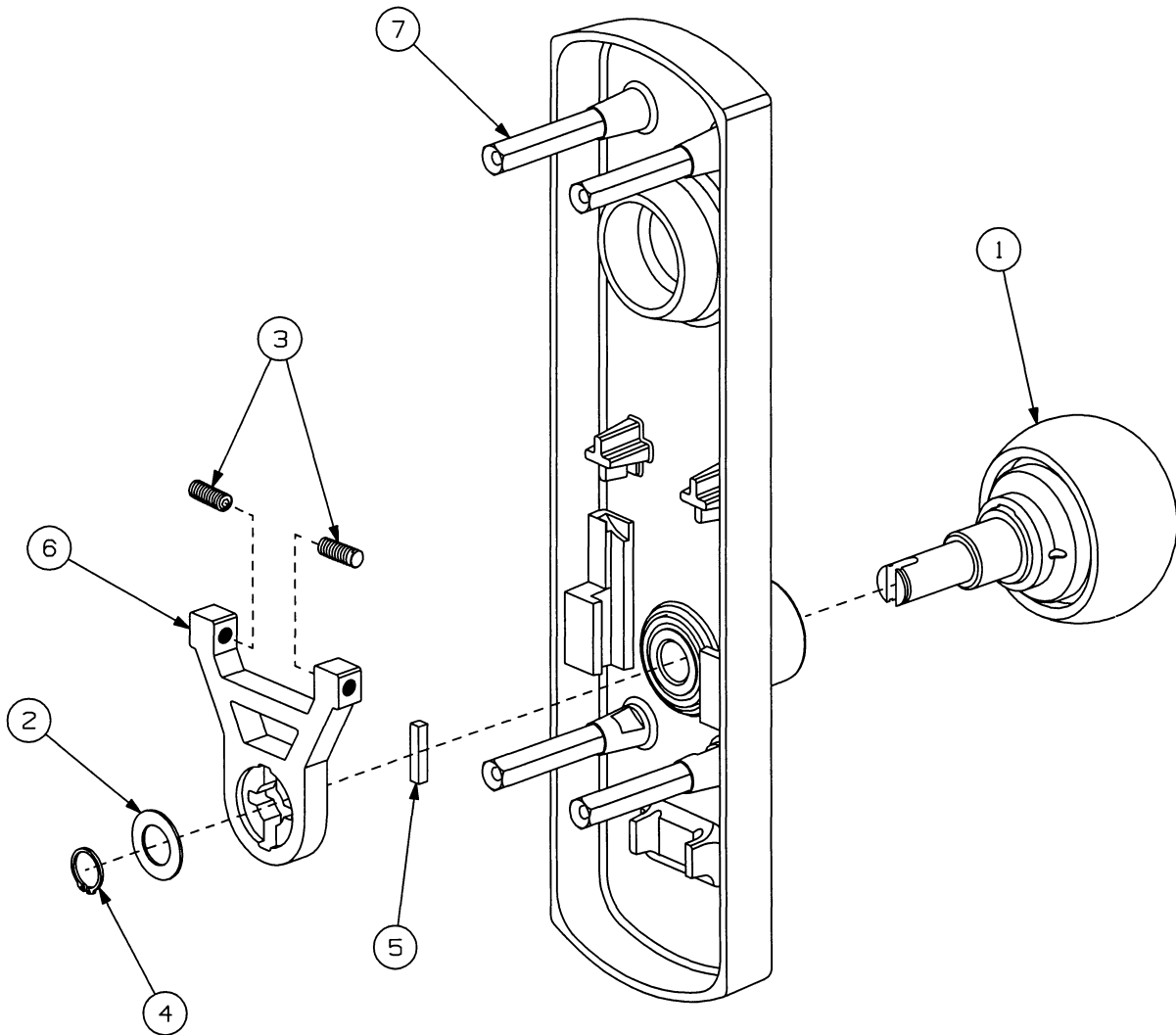
X DESIGNATES FINISHED ITEMS AND FINISH MUST BE SPECIFIED WHEN ORDERING



991K – DT TRIM

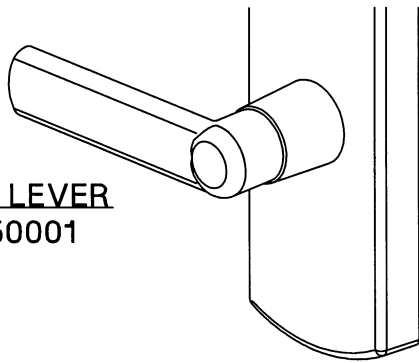
ITEM NO.	QTY	PART NO.	DESCRIPTION	FINISH
	1	900920	991/992/994 Trim Screw Pack (1-3/4" - 2-1/4")	
1	1	110537	Orbit Knob Assembly - 991K Trim	X
2	1	963105	Flat Washer	
3	1	964183	10-24 X 1/2" Socket Cap Screw	
4	1	964285	Retaining Ring	
5	1	969544	Straight Key - 991K	
6	1	970117	DT Yoke - 991K/992L (DT and Rigid)	
7	4	971440	Hex Stud 1/4-20(M) X 10-24(F) 991K/992L Trim	

X DESIGNATES FINISHED ITEMS AND FINISH MUST BE SPECIFIED WHEN ORDERING

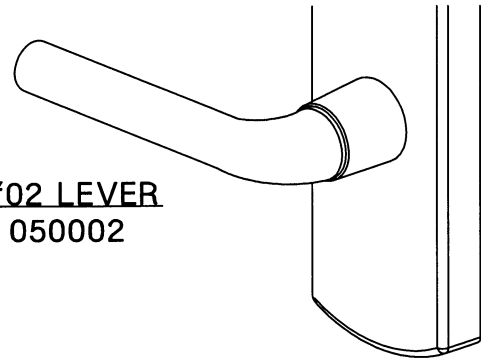


992L RVM LEVER ASSEMBLY DESIGNS

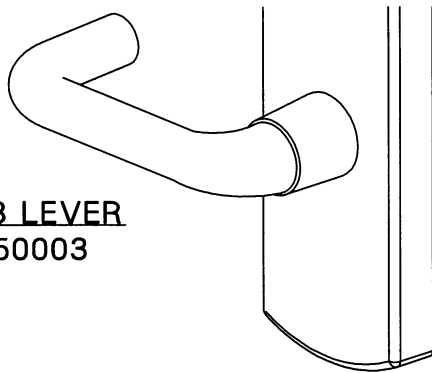
#01 LEVER
050001



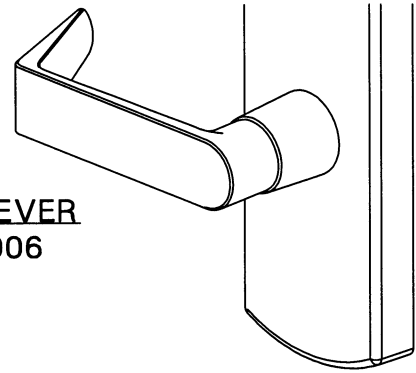
#02 LEVER
050002



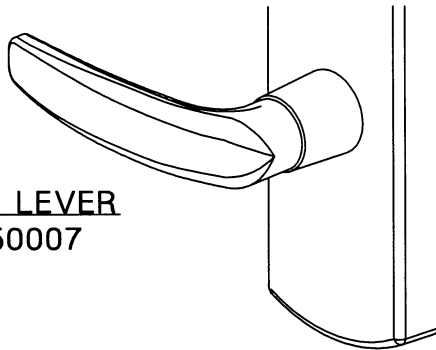
#03 LEVER
050003



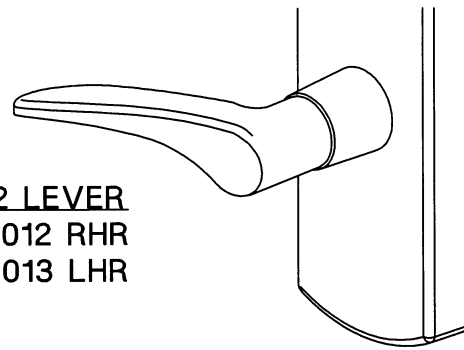
#06 LEVER
050006



#07 LEVER
050007

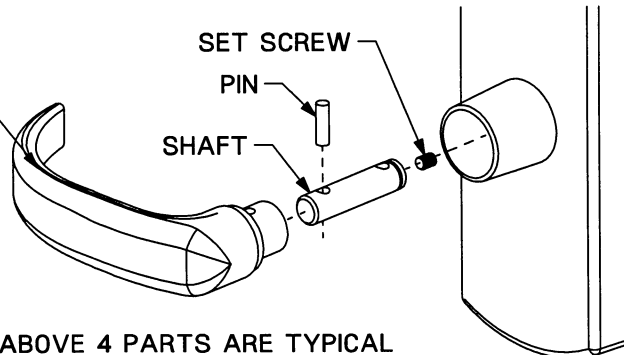


#12 LEVER
050012 RHR
050013 LHR



LEVER # SPECIFIED

SET SCREW
PIN
SHAFT



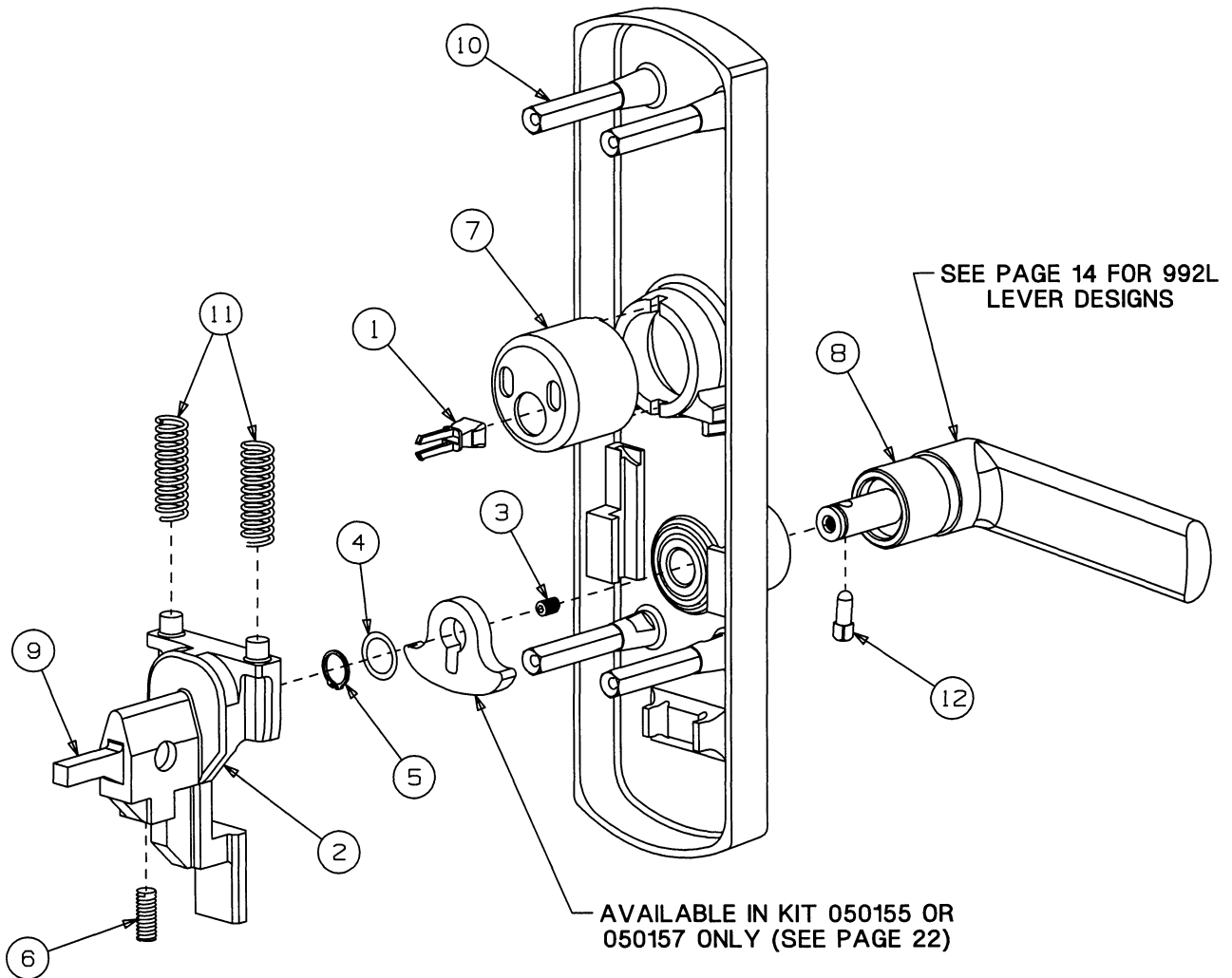
#17 LEVER
050017

THE ABOVE 4 PARTS ARE TYPICAL
TO ALL THE LEVER ASSEMBLIES

992L – R&V LEVER TRIM

ITEM NO.	QTY	PART NO.	DESCRIPTION	FINISH
	1	900920	991/992/994 Trim Screw Pack (1-3/4" - 2-1/4")	
1	1	050156	Tailpiece Guide Lead Kit (Pack of 10)	
2	1	110769	Slider Sub-Assembly - 992L - R&V	
3	1	963534	#10-32 X 1/4" Socket Set Screw	
4	1	963757	Adjustment Shim - 992L	
5	1	964285	Retaining Ring	
6	1	964353	1/4-20 X 5/8 Socket Set Screw	
7	1	968201	Cylinder Retaining Cup	
8	1	969541	Lever Bushing	
9	1	969545	R&V Finger - 991K/992L	
10	4	971440	Hex Stud 1/4-20(M) X 10-24(F) 991K/992L Trim	
11	2	971573	992L Lift Spring	
12	1	971583	Shear Pin - 992L	

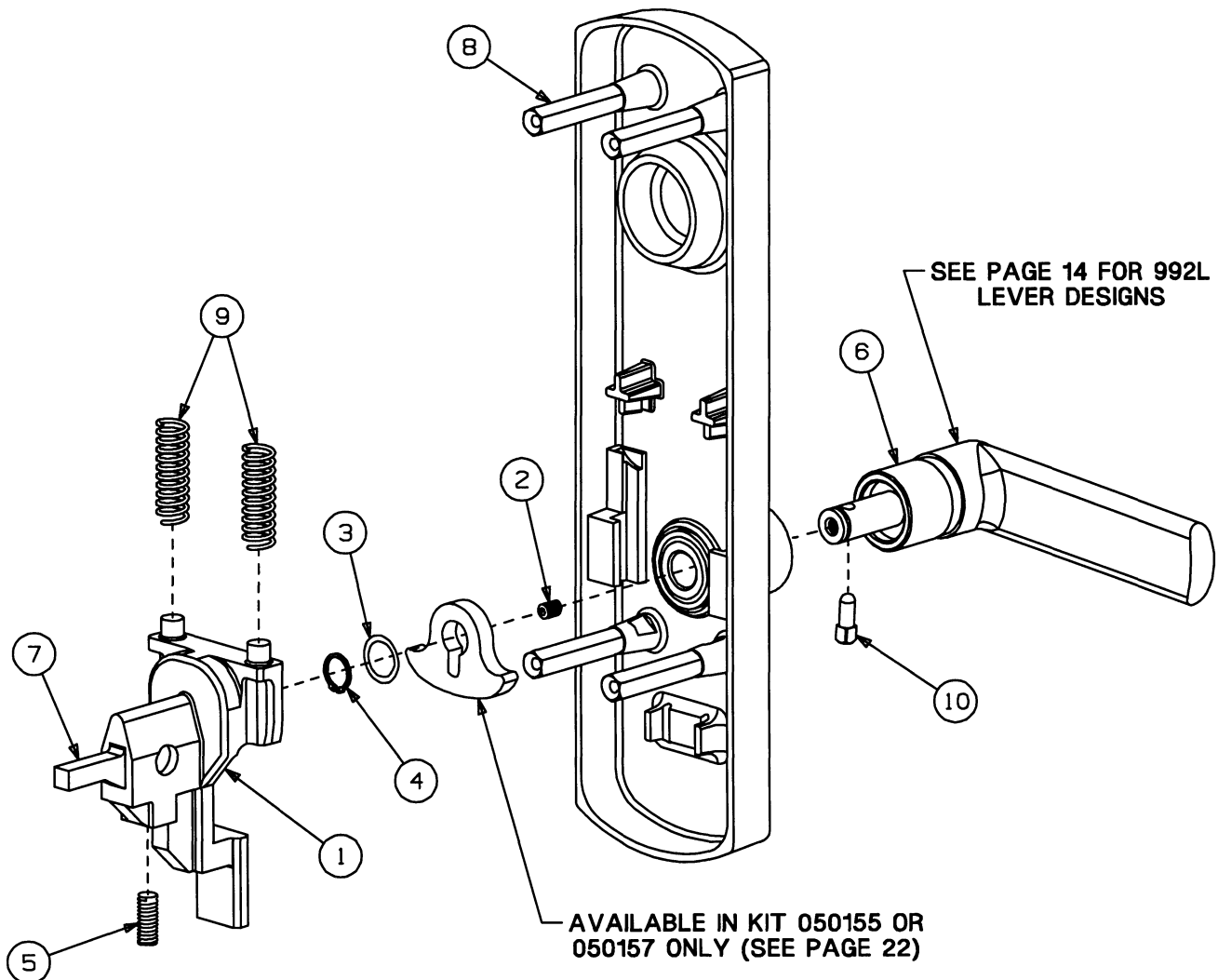
X DESIGNATES FINISHED ITEMS AND FINISH MUST BE SPECIFIED WHEN ORDERING



992L - BE - R&V LEVER TRIM

ITEM NO.	QTY	PART NO.	DESCRIPTION	FINISH
	1	900920	991/992/994 Trim Screw Pack (1-3/4" - 2-1/4")	
1	1	110769	Slider Sub-Assembly - 992L - R&V	
2	1	963534	#10-32 X 1/4" Socket Set Screw	
3	1	963757	Adjustment Shim - 992L	
4	1	964285	Retaining Ring	
5	1	964353	1/4-20 X 5/8 Socket Set Screw	
6	1	969541	Lever Bushing	
7	1	969545	R&V Finger - 991K/992L	
8	4	971440	Hex Stud 1/4-20(M) X 10-24(F) 991K/992L Trim	
9	2	971573	992L Lift Spring	
10	1	971583	Shear Pin - 992L	

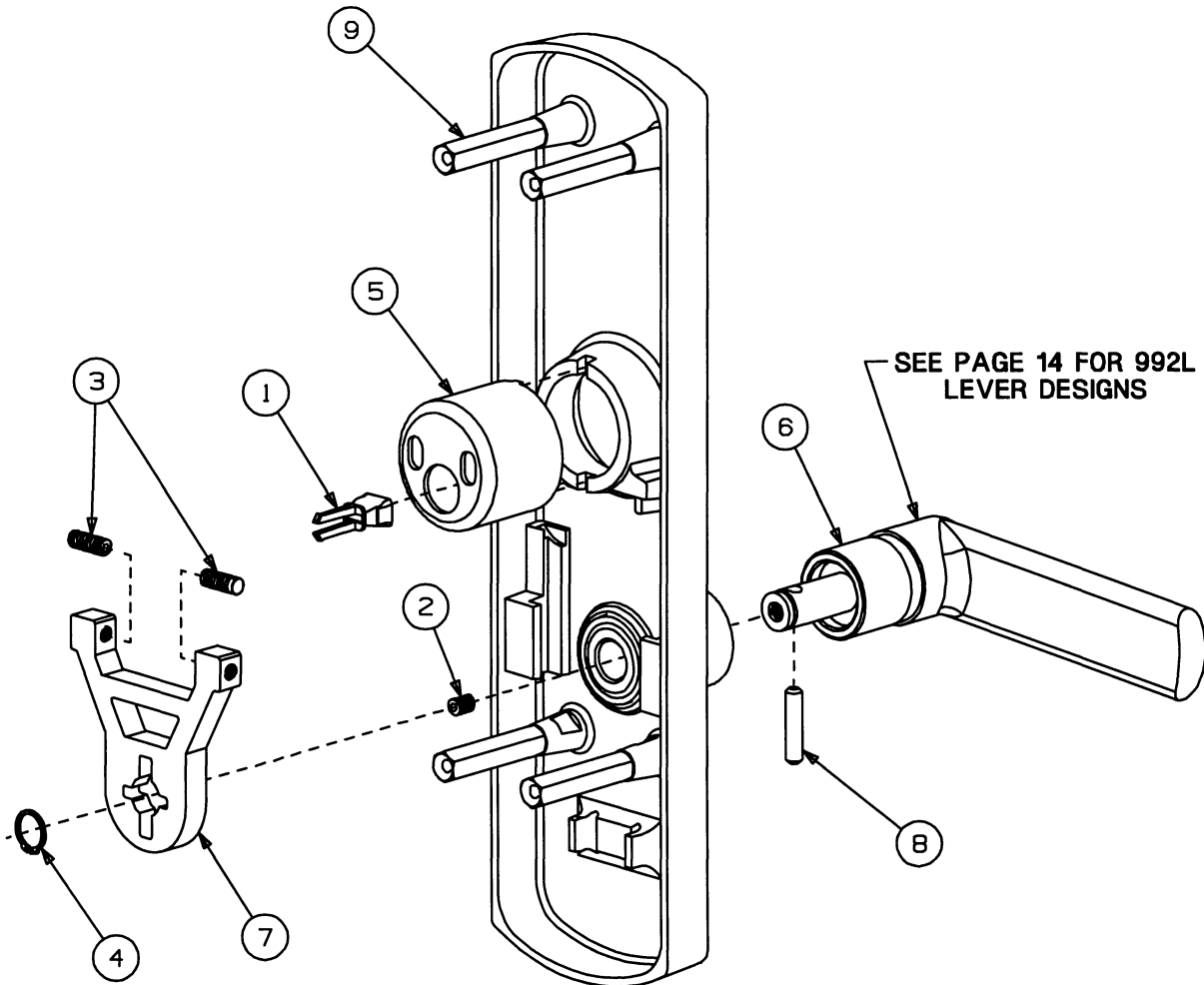
X DESIGNATES FINISHED ITEMS AND FINISH MUST BE SPECIFIED WHEN ORDERING



992L – NL R&V LEVER TRIM

ITEM NO.	QTY	PART NO.	DESCRIPTION	FINISH
	1	900920	991/992/994 Trim Screw Pack (1-3/4" - 2-1/4")	
1	1	050156	Tailpiece Guide Lead Kit (Pack of 10)	
2	1	963534	#10-32 X 1/4" Socket Set Screw	
3	2	964183	10-24 X 1/2" Socket Cap Screw	
4	1	964285	Retaining Ring	
5	1	968201	Cylinder Retaining Cup	
6	1	969541	Lever Bushing	
7	1	970117	DT Yoke - 991K/992L (DT and Rigid)	
8	1	971015	DT Cam Pin	
9	4	971440	Hex Stud 1/4-20(M) X 10-24(F) 991K/992L Trim	

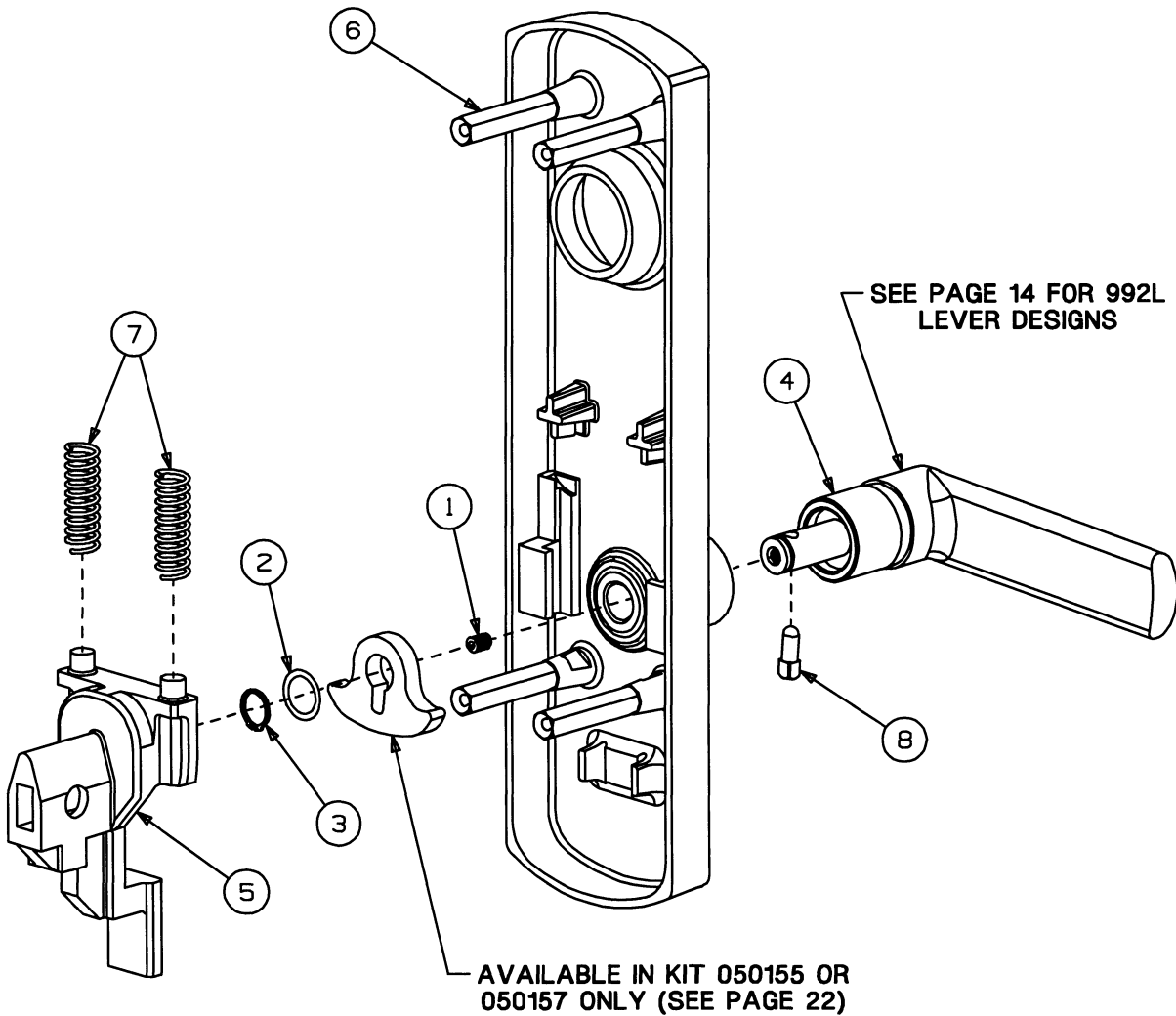
X DESIGNATES FINISHED ITEMS AND FINISH MUST BE SPECIFIED WHEN ORDERING



992L – M LEVER TRIM

ITEM NO.	QTY	PART NO.	DESCRIPTION	FINISH
	1	900920	991/992/994 Trim Screw Pack (1-3/4" - 2-1/4")	
1	1	963534	#10-32 X 1/4" Socket Set Screw	
2	1	963757	Adjustment Shim - 992L	
3	1	964285	Retaining Ring	
4	1	969541	Lever Bushing	
5	1	971012	Slider - 992L	
6	4	971440	Hex Stud 1/4-20(M) X 10-24(F) 991K/992L Trim	
7	2	971573	992L Lift Spring	
8	1	971583	Shear Pin - 992L	

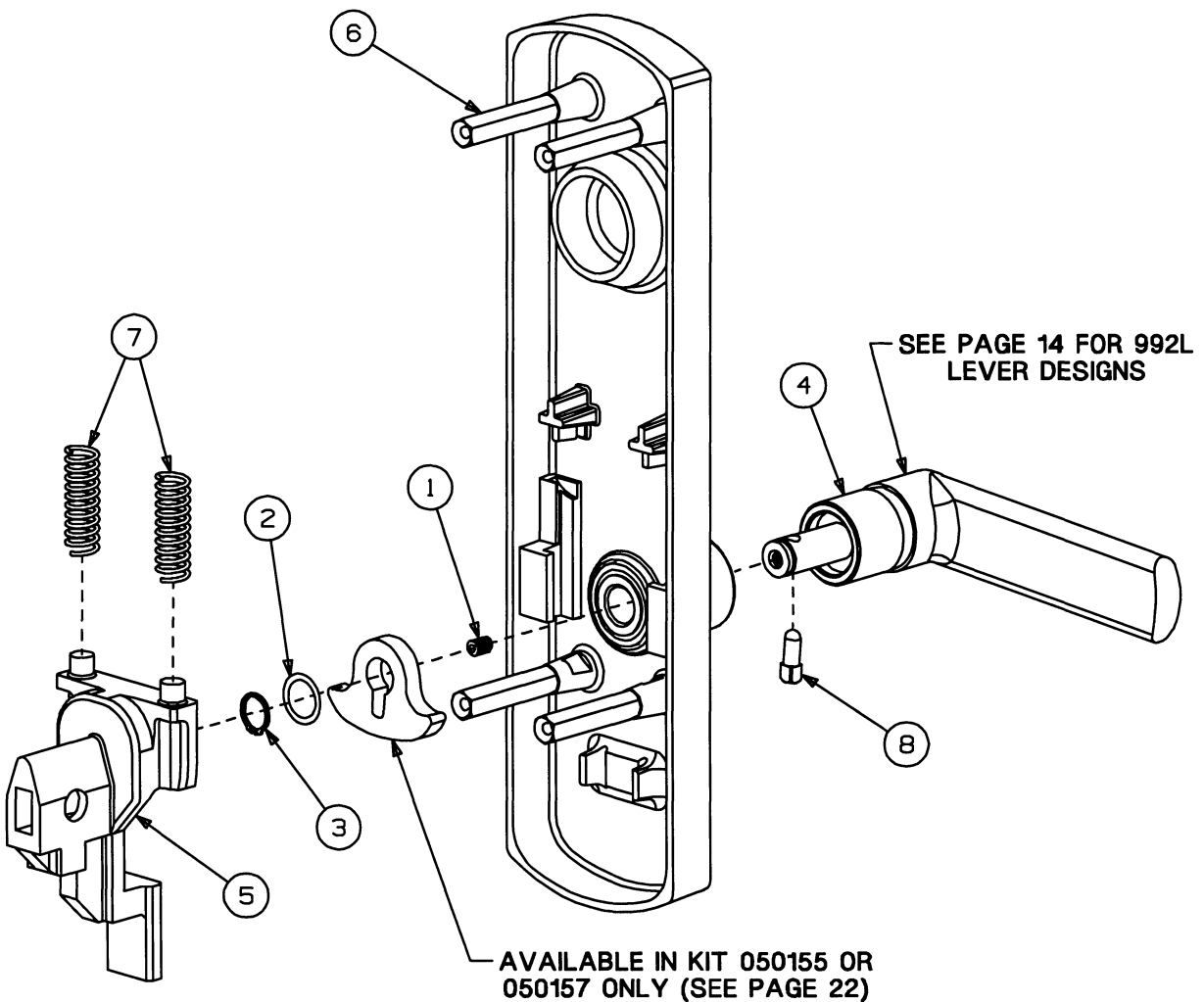
X DESIGNATES FINISHED ITEMS AND FINISH MUST BE SPECIFIED WHEN ORDERING



992L – BE – M LEVER TRIM

ITEM NO.	QTY	PART NO.	DESCRIPTION	FINISH
	1	900920	991/992/994 Trim Screw Pack (1-3/4" - 2-1/4")	
1	1	963534	#10-32 X 1/4" Socket Set Screw	
2	1	963757	Adjustment Shim - 992L	
3	1	964285	Retaining Ring	
4	1	969541	Lever Bushing	
5	1	971012	Slider - 992L	
6	4	971440	Hex Stud 1/4-20(M) X 10-24(F) 991K/992L Trim	
7	2	971573	992L Lift Spring	
8	1	971583	Shear Pin - 992L	

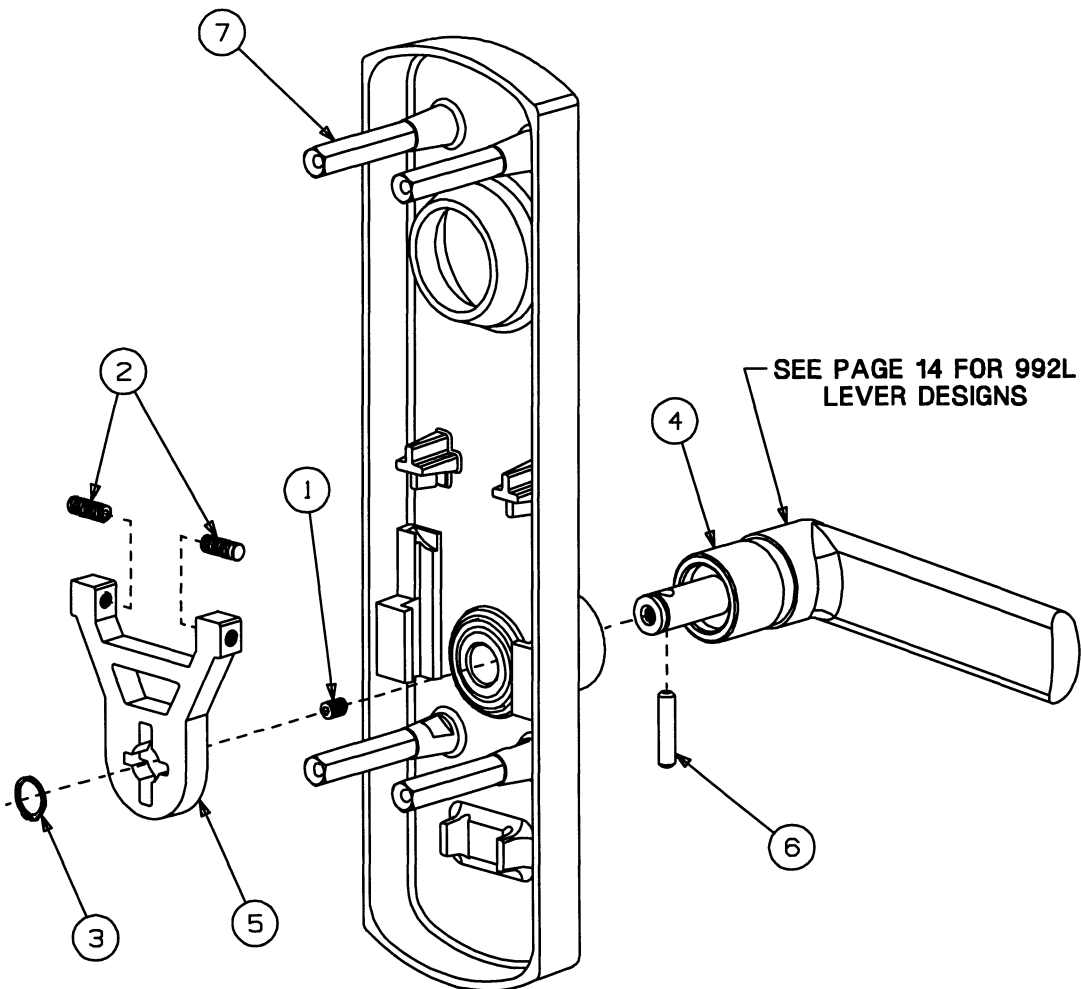
X DESIGNATES FINISHED ITEMS AND FINISH MUST BE SPECIFIED WHEN ORDERING



992L - NL - M LEVER TRIM

ITEM NO.	QTY	PART NO.	DESCRIPTION	FINISH
	1	900920	991/992/994 Trim Screw Pack (1-3/4" - 2-1/4")	
1	1	963534	#10-32 X 1/4" Socket Set Screw	
2	2	964183	10-24 X 1/2" Socket Cap Screw	
3	1	964285	Retaining Ring	
4	1	969541	Lever Bushing	
5	1	970117	DT Yoke - 991K/992L (DT and Rigid)	
6	1	971015	DT Cam Pin	
7	4	971440	Hex Stud 1/4-20(M) X 10-24(F) 991K/992L Trim	

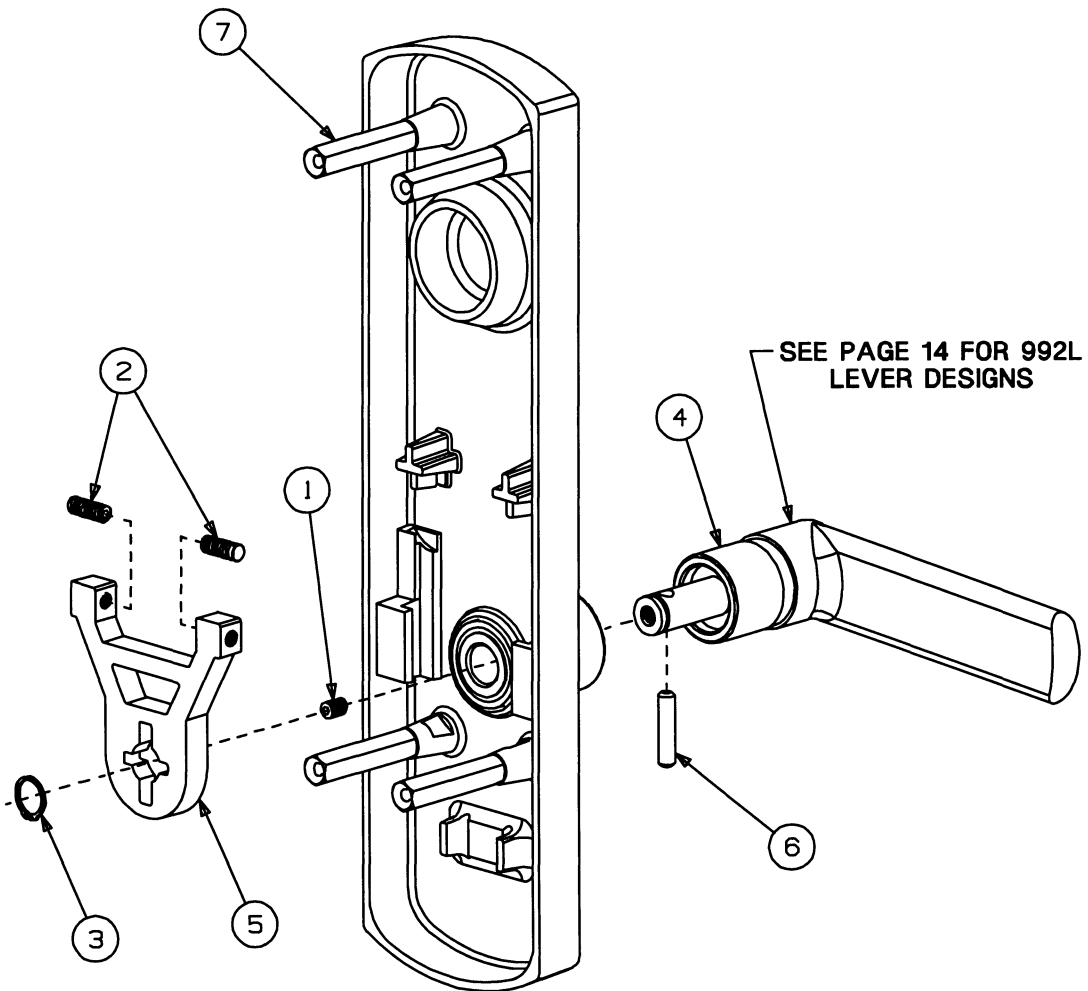
X DESIGNATES FINISHED ITEMS AND FINISH MUST BE SPECIFIED WHEN ORDERING



992L – DT LEVER TRIM

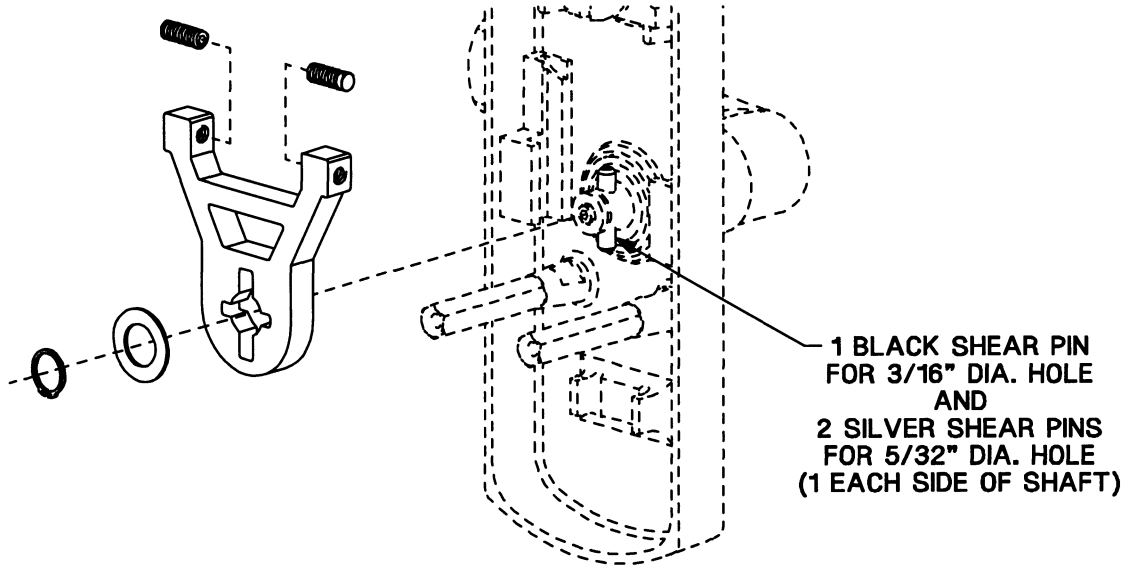
ITEM NO.	QTY	PART NO.	DESCRIPTION	FINISH
	1	900920	991/992/994 Trim Screw Pack (1-3/4" - 2-1/4")	
1	1	963534	#10-32 X 1/4" Socket Set Screw	
2	2	964183	10-24 X 1/2" Socket Cap Screw	
3	1	964285	Retaining Ring	
4	1	969541	Lever Bushing	
5	1	970117	DT Yoke - 991K/992L (DT and Rigid)	
6	1	971015	DT Cam Pin	
7	4	971440	Hex Stud 1/4-20(M) X 10-24(F) 991K/992L Trim	

X DESIGNATES FINISHED ITEMS AND FINISH MUST BE SPECIFIED WHEN ORDERING



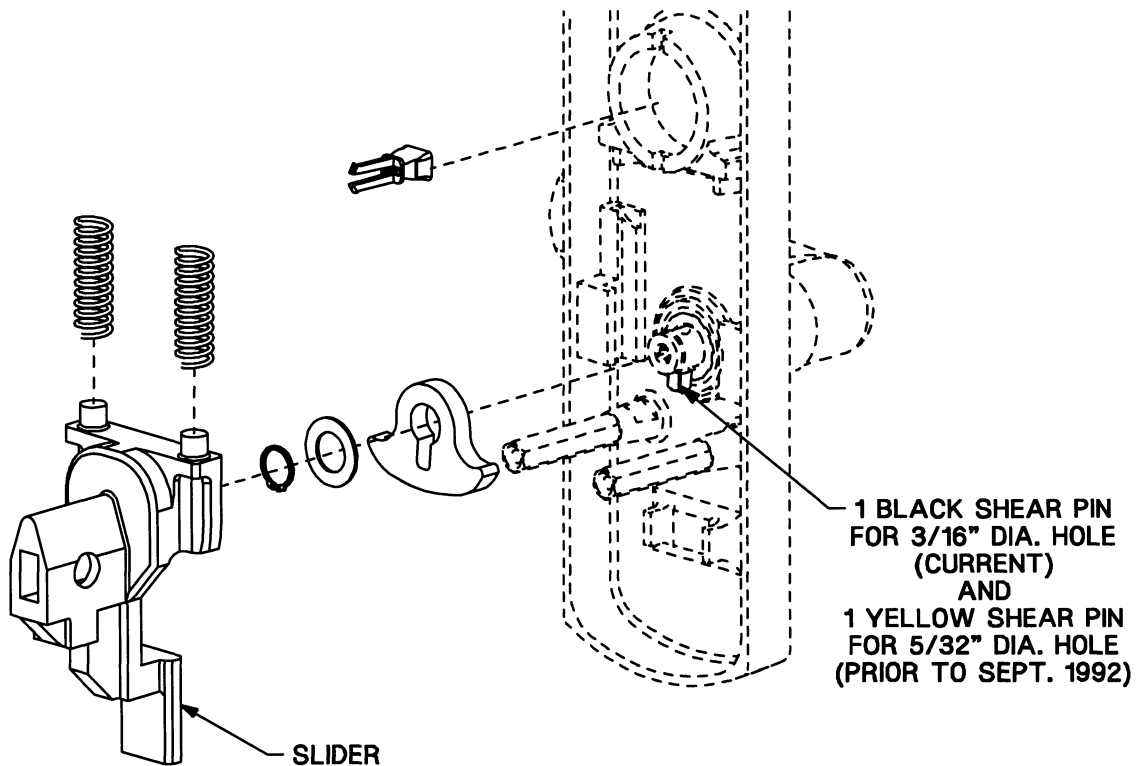
992L – KITS

050154 – 992L DT OR RIGID CONVERSION KIT

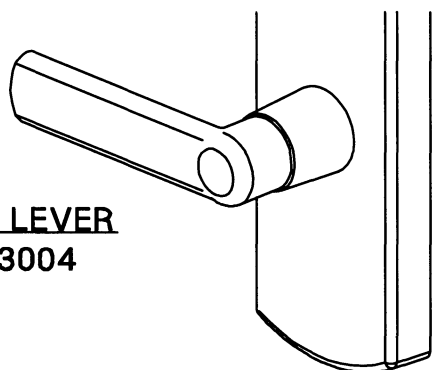


050155 – 992L REPLACEMENT CAM KIT W/SLIDER

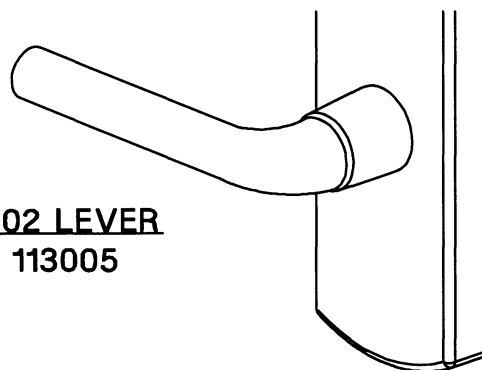
050157 – 992L REPLACEMENT CAM KIT LESS SLIDER



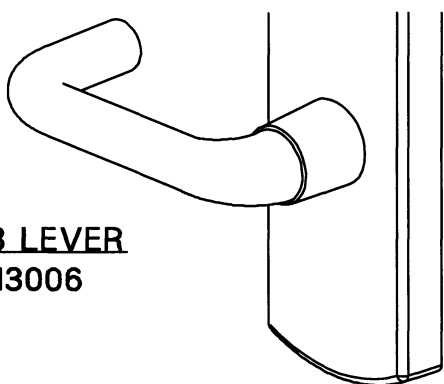
994L RVM LEVER DESIGNS



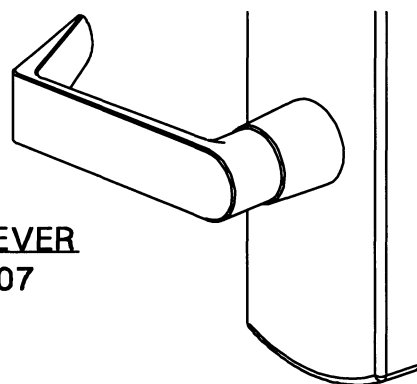
#01 LEVER
113004



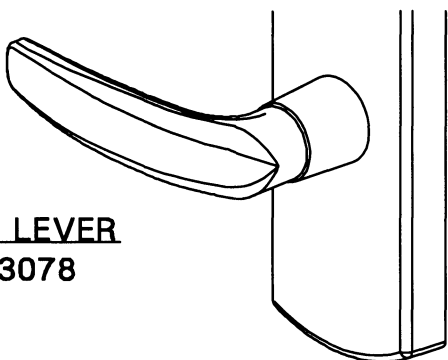
#02 LEVER
113005



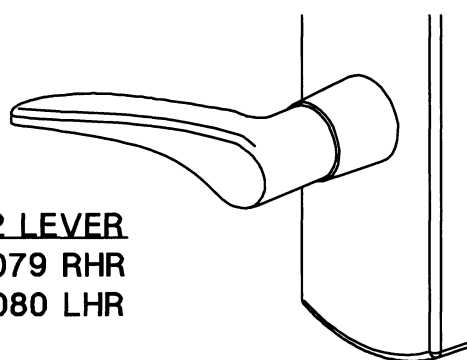
#03 LEVER
113006



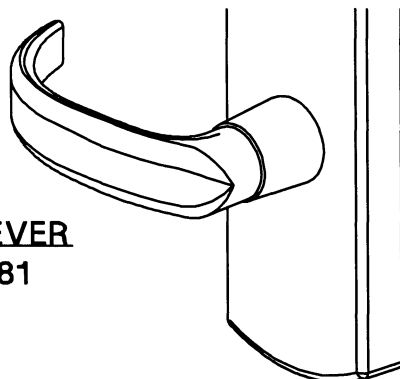
#06 LEVER
113007



#07 LEVER
113078



#12 LEVER
113079 RHR
113080 LHR



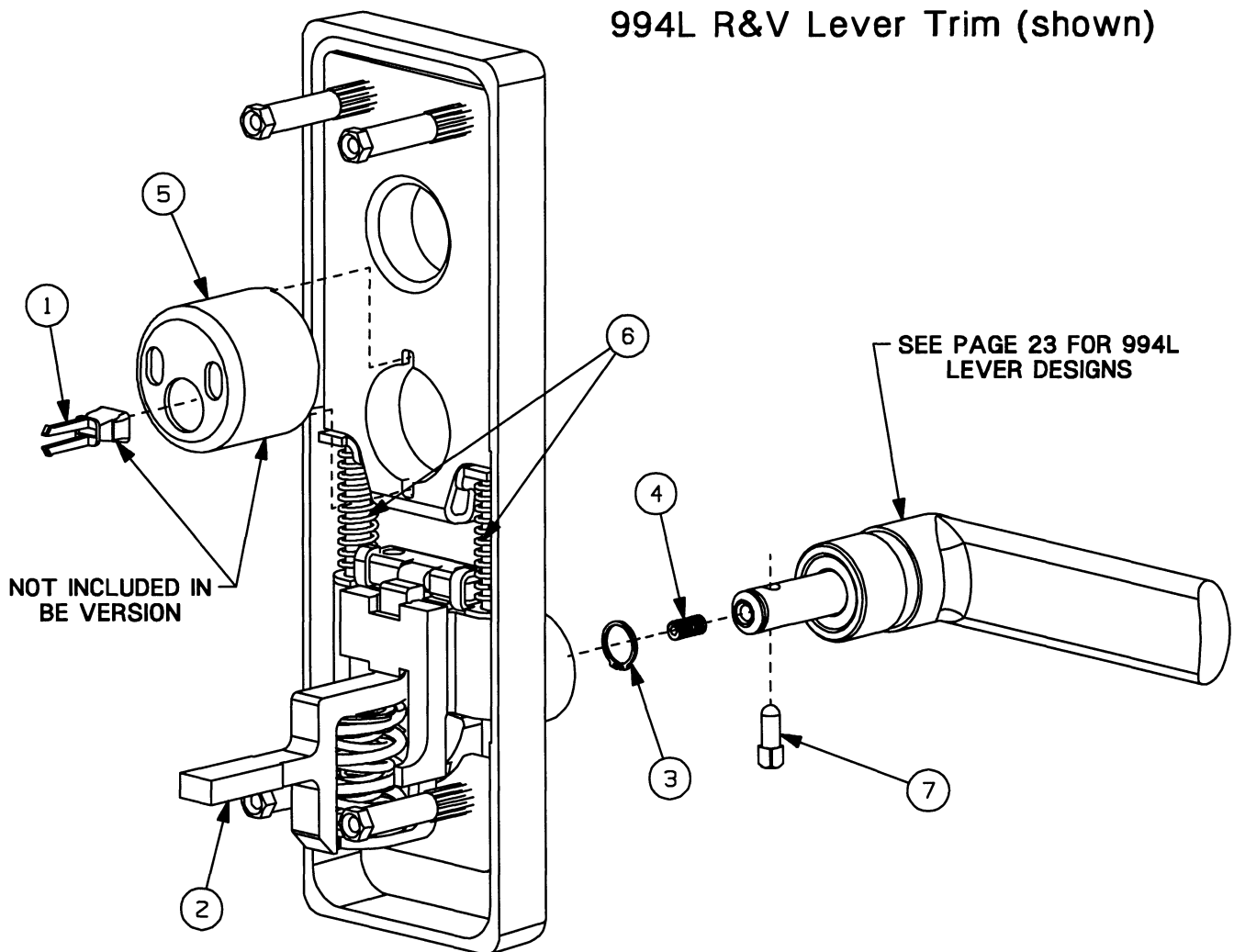
#17 LEVER
113081

994L R&V LEVER TRIM

994L BE – R&V LEVER TRIM

ITEM NO.	QTY	PART NO.	DESCRIPTION	FINISH
	1	900920	991/992/994 Trim Screw Pack (1-3/4" - 2-1/4")	
1	1	050156	Tailpiece Guide Lead Kit (Pack of 10)	
2	1	112461	R&V Slider/Lift Arm Sub-Assy	
3	1	964285	Retaining Ring	
4	1	964325	#10-32 X 3/8" Flat Point Set Screw	
5	1	968201	Cylinder Retaining Cup	
6	2	971573	992L Lift Spring	
7	1	971583	Shear Pin - 992L	

X DESIGNATES FINISHED ITEMS AND FINISH MUST BE SPECIFIED WHEN ORDERING

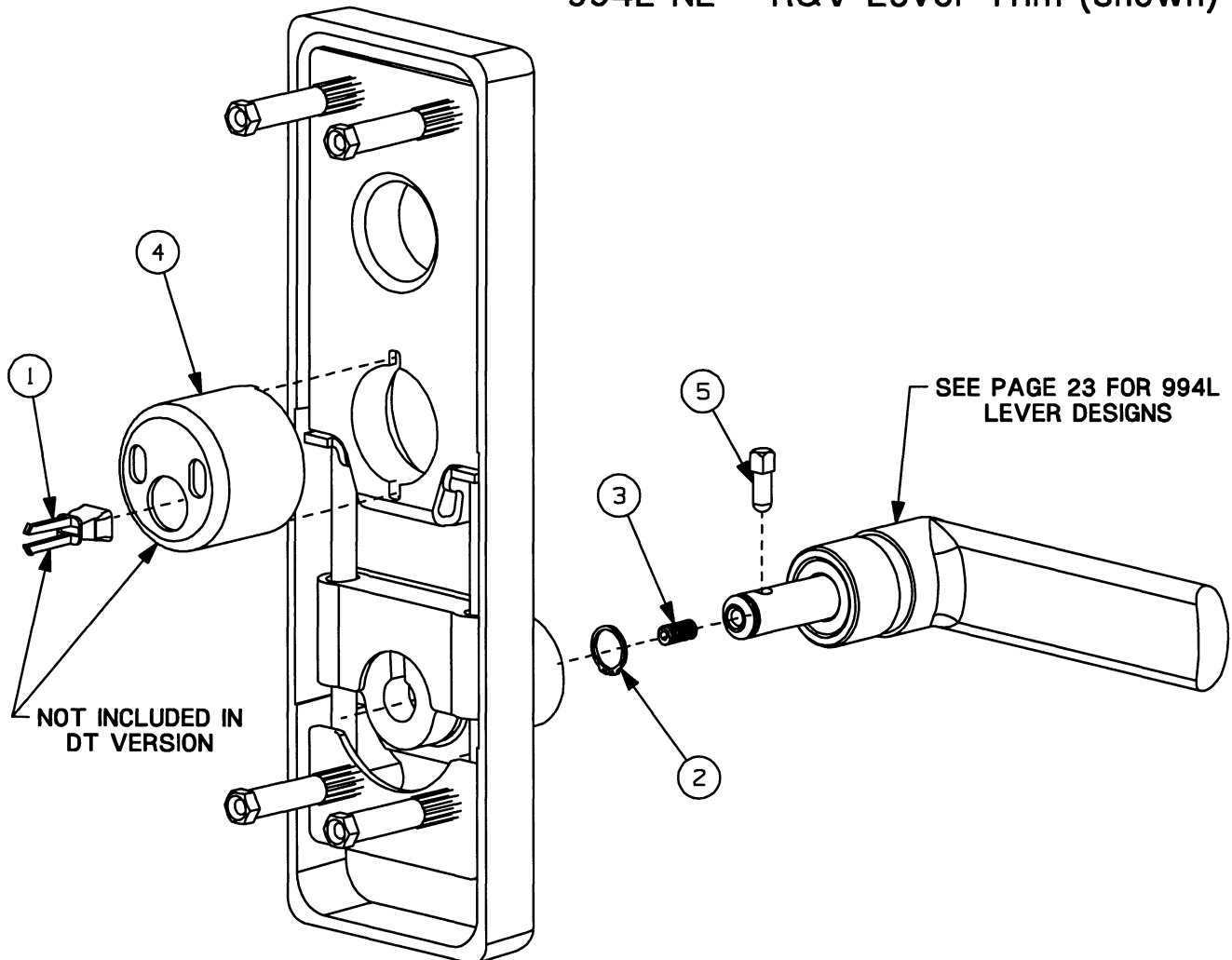


994L NL – R&V LEVER TRIM
 994L NL – M LEVER TRIM
 994L DT LEVER TRIM

ITEM NO.	QTY	PART NO.	DESCRIPTION	FINISH
	1	900920	991/992/994 Trim Screw Pack (1-3/4" - 2-1/4")	
1	1	050156	Tailpiece Guide Lead Kit (Pack of 10)	
2	1	964285	Retaining Ring	
3	1	964325	#10-32 X 3/8" Flat Point Set Screw	
4	1	968201	Cylinder Retaining Cup	
5	1	971583	Shear Pin - 992L	

X DESIGNATES FINISHED ITEMS AND FINISH MUST BE SPECIFIED WHEN ORDERING

994L NL – R&V Lever Trim (shown)



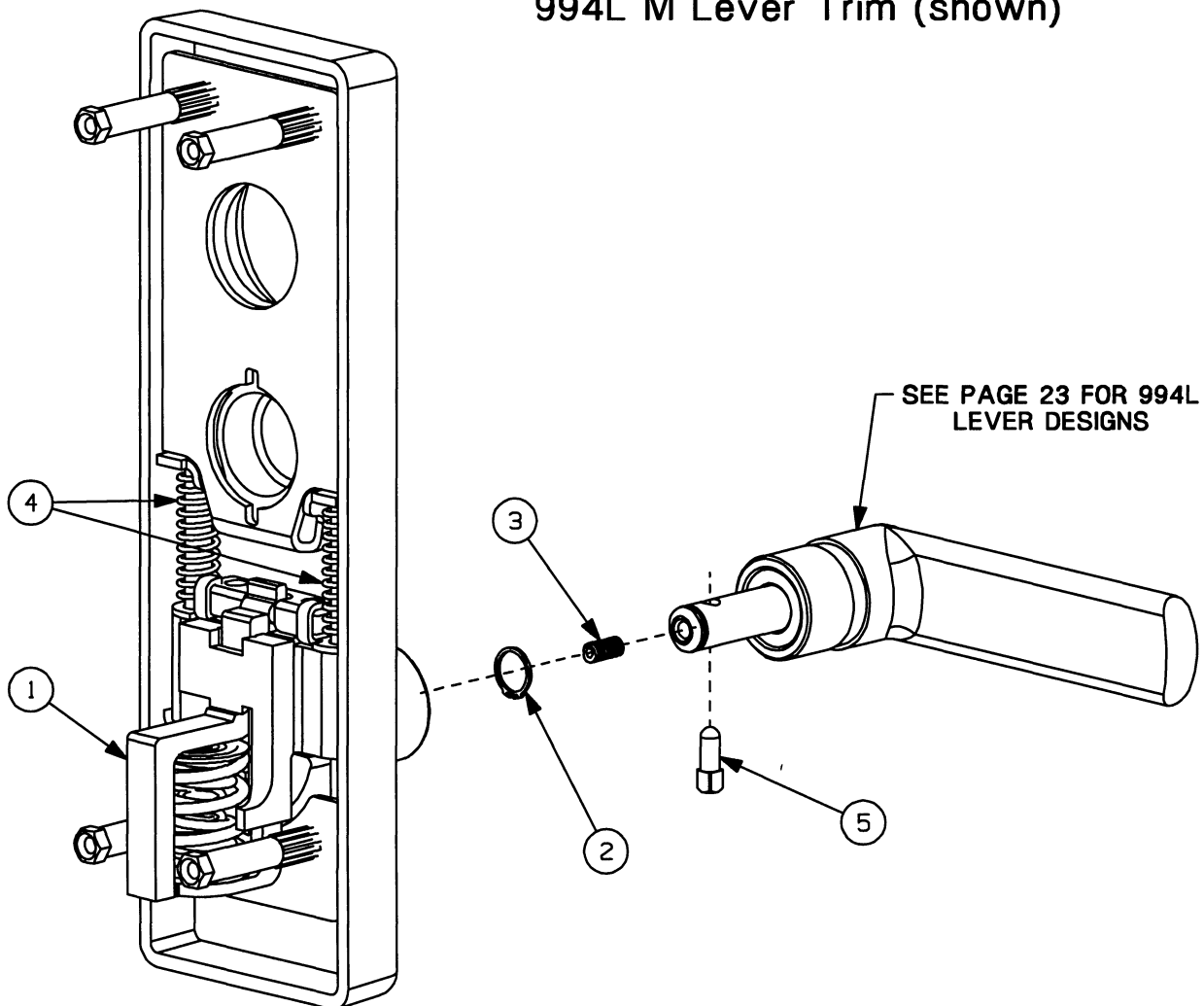
994L M LEVER TRIM

994L BE – M LEVER TRIM

ITEM NO.	QTY	PART NO.	DESCRIPTION	FINISH
	1	900920	991/992/994 Trim Screw Pack (1-3/4" - 2-1/4")	
1	1	112462	Mortise Slider/Lift Arm Sub-Assy	
2	1	964285	Retaining Ring	
3	1	964325	#10-32 X 3/8" Flat Point Set Screw	
4	2	971573	992L Lift Spring	
5	1	971583	Shear Pin - 992L	

X DESIGNATES FINISHED ITEMS AND FINISH MUST BE SPECIFIED WHEN ORDERING

994L M Lever Trim (shown)



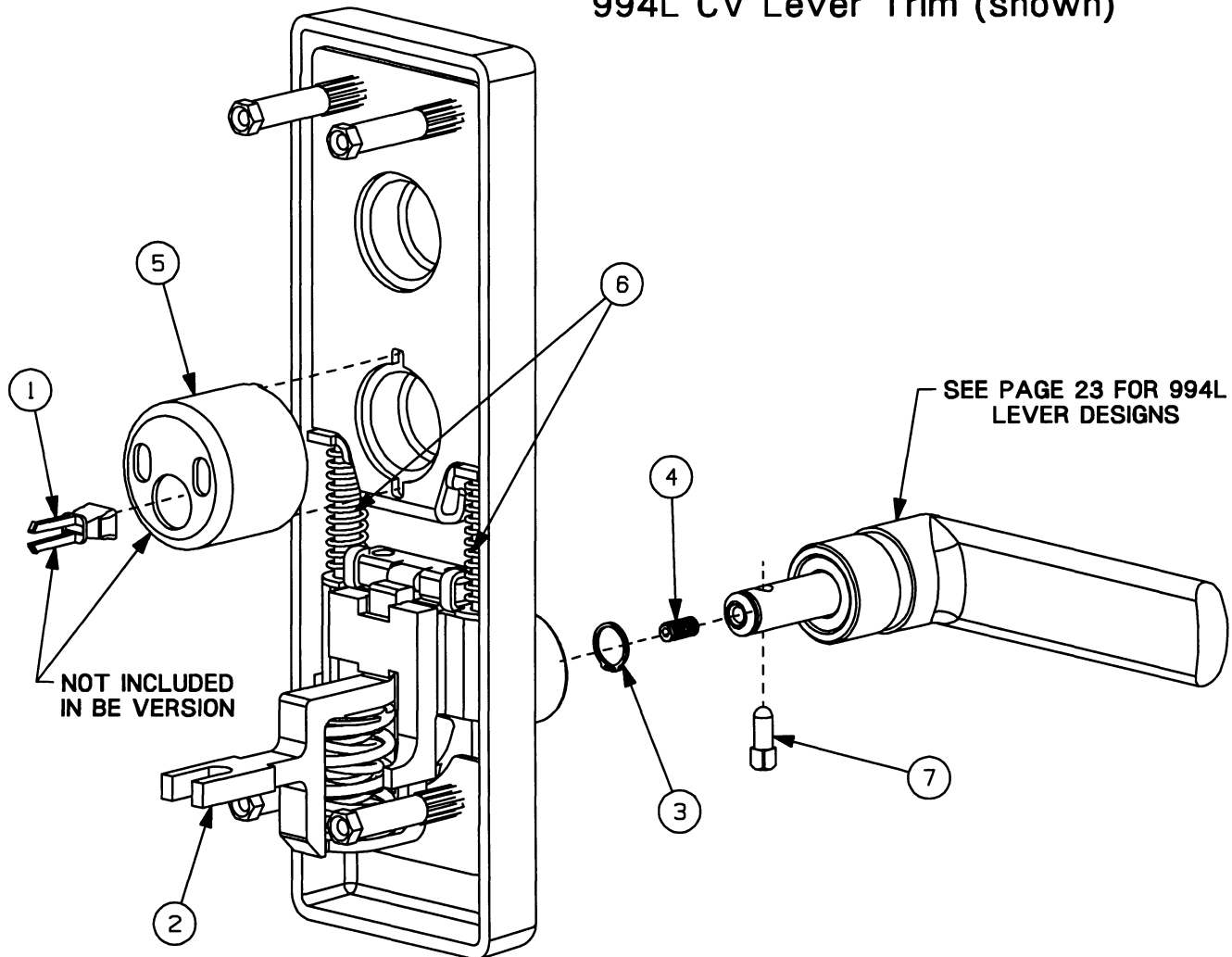
994L CV LEVER TRIM

994L BE – CV LEVER TRIM

ITEM NO.	QTY	PART NO.	DESCRIPTION	FINISH
	1	900920	991/992/994 Trim Screw Pack (1-3/4" - 2-1/4")	
1	1	050156	Tailpiece Guide Lead Kit (Pack of 10)	
2	1	111869	CV Slider/Lift Arm Sub-Assy	
3	1	964285	Retaining Ring	
4	1	964325	#10-32 X 3/8" Flat Point Set Screw	
5	1	968201	Cylinder Retaining Cup	
6	2	971573	992L Lift Spring	
7	1	971583	Shear Pin - 992L	

X DESIGNATES FINISHED ITEMS AND FINISH MUST BE SPECIFIED WHEN ORDERING

994L CV Lever Trim (shown)



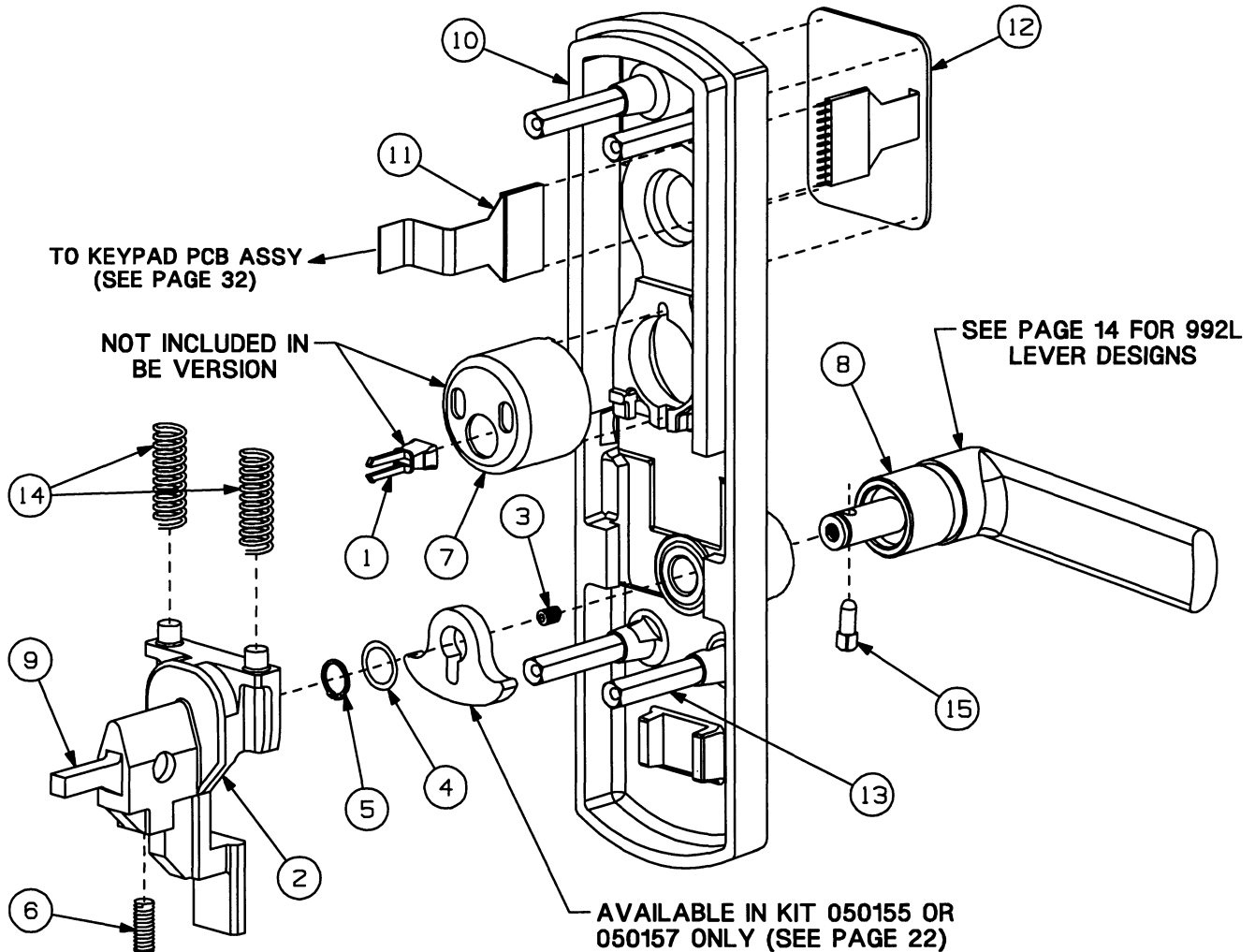
KP992L – R&V LEVER TRIM

KP992L – BE R&V LEVER TRIM

ITEM NO.	QTY	PART NO.	DESCRIPTION	FINISH
	1	900920	991/992/994 Trim Screw Pack (1-3/4" - 2-1/4")	
1	1	050156	Tailpiece Guide Lead Kit (Pack of 10)	
2	1	110769	Slider Sub-Assembly - 992L - R&V	
3	1	963534	#10-32 X 1/4" Socket Set Screw	
4	1	963757	Adjustment Shim - 992L	
5	1	964285	Retaining Ring	
6	1	964353	1/4-20 X 5/8 Socket Set Screw	
7	1	968201	Cylinder Retaining Cup	
8	1	969541	Lever Bushing	
9	1	969545	R&V Finger - 991K/992L	
10	1	971230	KP992 Gasket	
11	1	971233	KP992 Cable	
12	1	971234	KP992 Keypad	
13	4	971440	Hex Stud 1/4-20(M) X 10-24(F) 991K/992L Trim	
14	2	971573	992L Lift Spring	
15	1	971583	Shear Pin - 992L	

X DESIGNATES FINISHED ITEMS AND FINISH MUST BE SPECIFIED WHEN ORDERING

KP992L – R&V Lever Trim (shown)

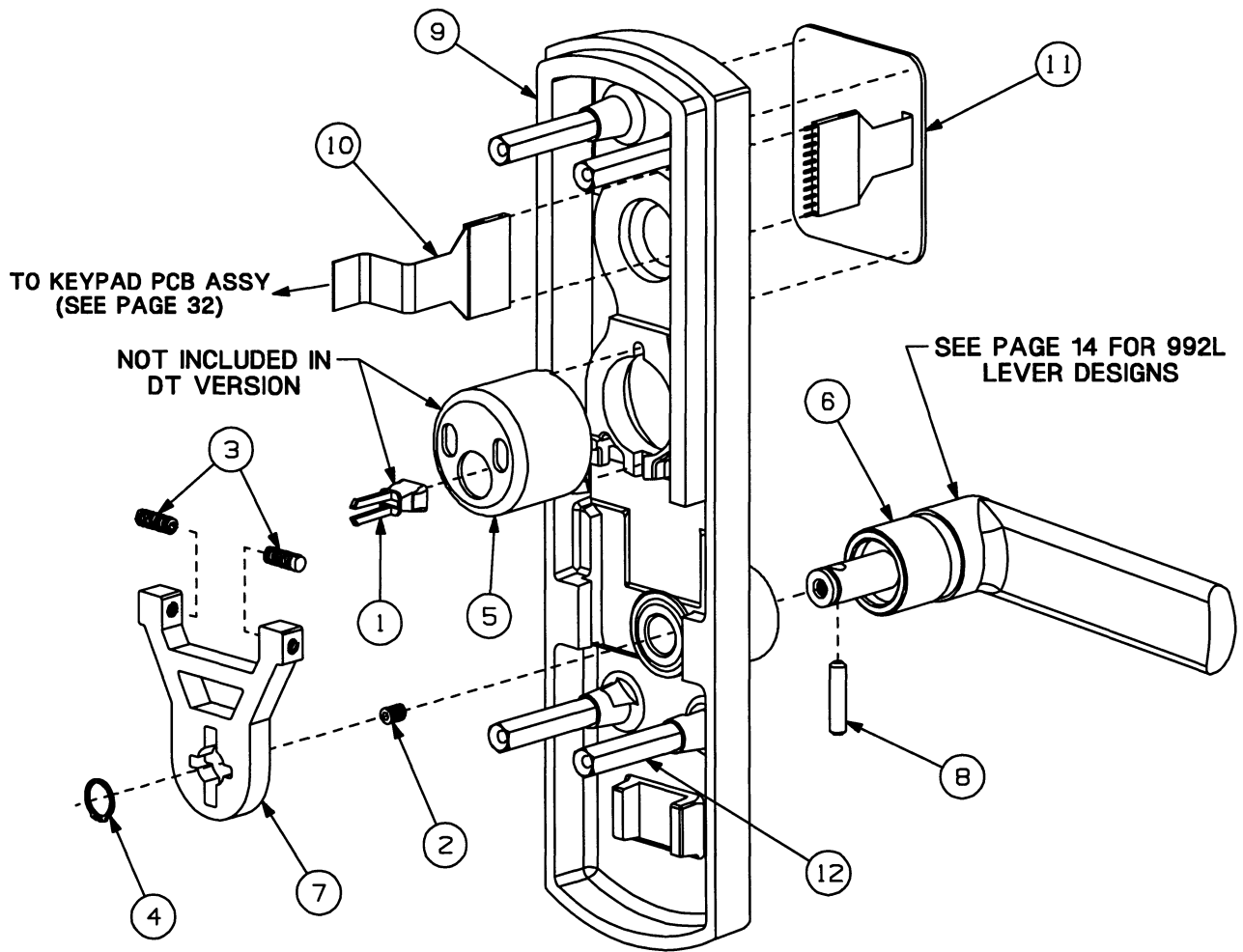


KP992L – NL R&V LEVER TRIM

KP992L – DT LEVER TRIM

ITEM NO.	QTY	PART NO.	DESCRIPTION	FINISH
	1	900920	991/992/994 Trim Screw Pack (1-3/4" - 2-1/4")	
1	1	050156	Tailpiece Guide Lead Kit (Pack of 10)	
2	1	963534	#10-32 X 1/4" Socket Set Screw	
3	2	964183	10-24 X 1/2" Socket Cap Screw	
4	1	964285	Retaining Ring	
5	1	968201	Cylinder Retaining Cup	
6	1	969541	Lever Bushing	
7	1	970117	DT Yoke - 991K/992L (DT and Rigid)	
8	1	971015	DT Cam Pin	
9	1	971230	KP992 Gasket	
10	1	971233	KP992 Cable	
11	1	971234	KP992 Keypad	
12	4	971440	Hex Stud 1/4-20(M) X 10-24(F) 991K/992L Trim	

X DESIGNATES FINISHED ITEMS AND FINISH MUST BE SPECIFIED WHEN ORDERING



KP992L – NL R&V Lever Trim (shown)

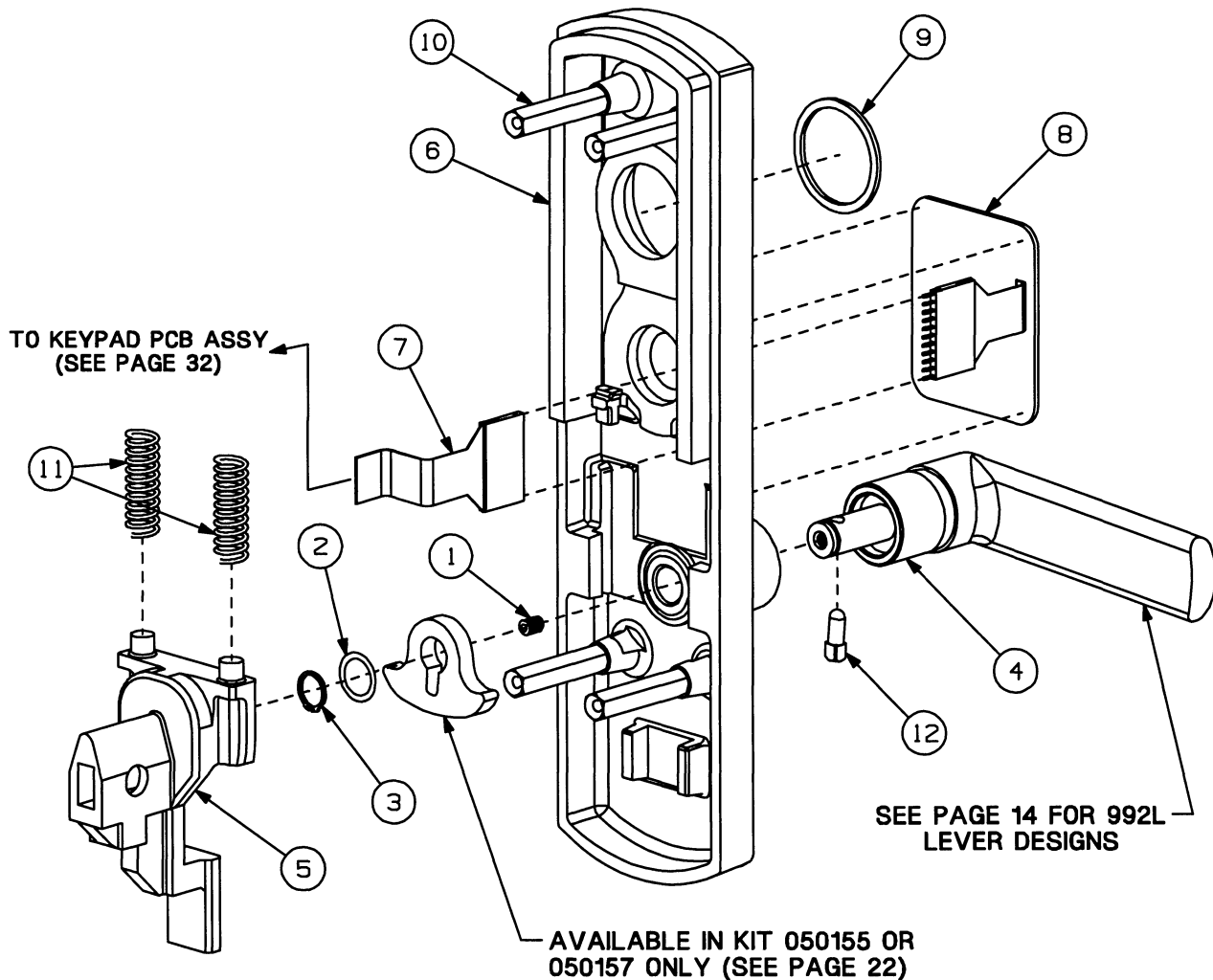
KP992L – M LEVER TRIM

KP992L – BE M LEVER TRIM

ITEM NO.	QTY	PART NO.	DESCRIPTION	FINISH
	1	900920	991/992/994 Trim Screw Pack (1-3/4" - 2-1/4")	
1	1	963534	#10-32 X 1/4" Socket Set Screw	
2	1	963757	Adjustment Shim - 992L	
3	1	964285	Retaining Ring	
4	1	969541	Lever Bushing	
5	1	971012	Slider - 992L	
6	1	971230	KP992 Gasket	
7	1	971233	KP992 Cable	
8	1	971234	KP992 Keypad	
9	1	971275	KP992 Mortise Gasket	
10	4	971440	Hex Stud 1/4-20(M) X 10-24(F) 991K/992L Trim	
11	2	971573	992L Lift Spring	
12	1	971583	Shear Pin - 992L	

X DESIGNATES FINISHED ITEMS AND FINISH MUST BE SPECIFIED WHEN ORDERING

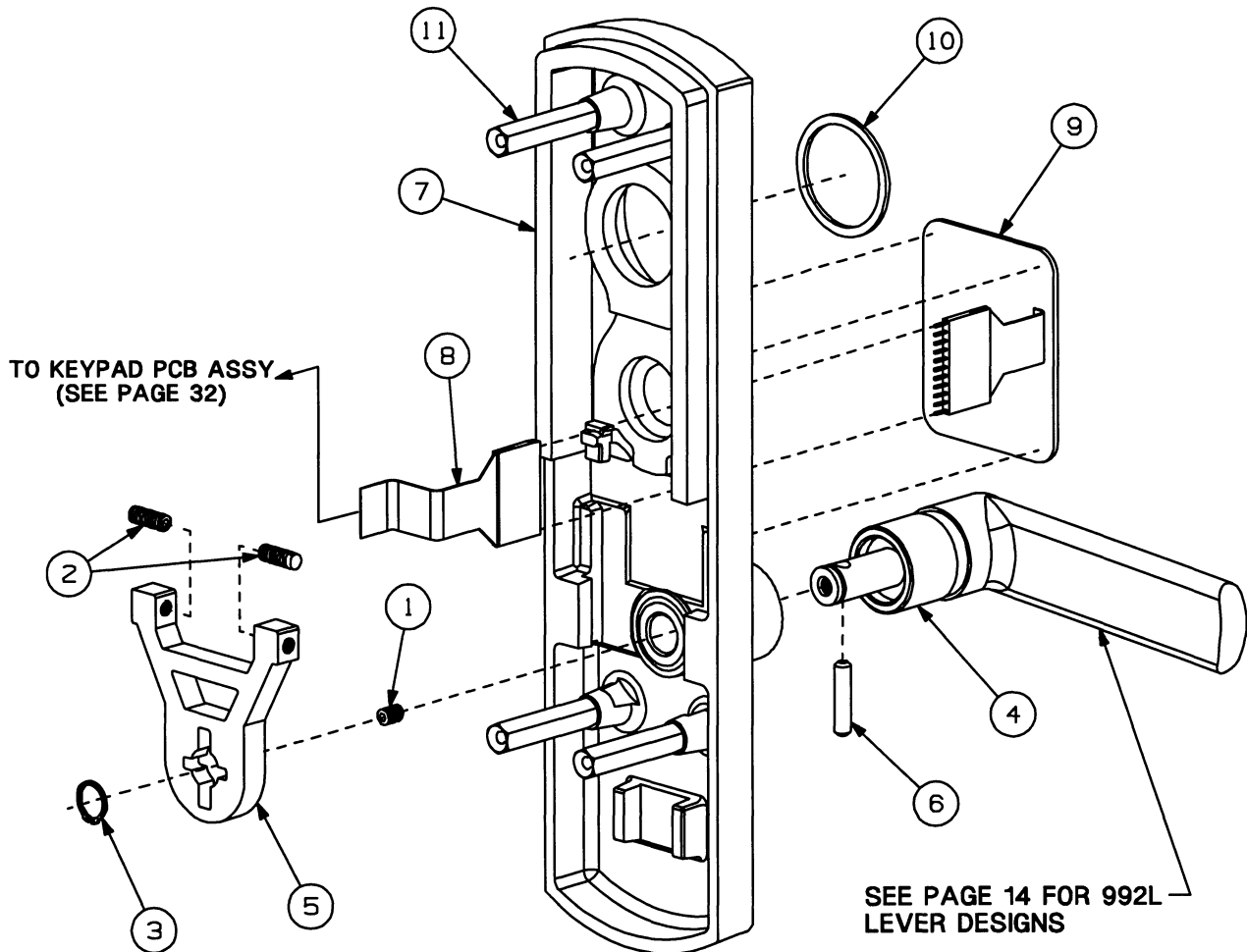
KP992L – M Lever Trim (shown)



KP992L – NL M LEVER TRIM

ITEM NO.	QTY	PART NO.	DESCRIPTION	FINISH
	1	900920	991/992/994 Trim Screw Pack (1-3/4" - 2-1/4")	
1	1	963534	#10-32 X 1/4" Socket Set Screw	
2	2	964183	10-24 X 1/2" Socket Cap Screw	
3	1	964285	Retaining Ring	
4	1	969541	Lever Bushing	
5	1	970117	DT Yoke - 991K/992L (DT and Rigid)	
6	1	971015	DT Cam Pin	
7	1	971230	KP992 Gasket	
8	1	971233	KP992 Cable	
9	1	971234	KP992 Keypad	
10	1	971275	KP992 Mortise Gasket	
11	4	971440	Hex Stud 1/4-20(M) X 10-24(F) 991K/992L Trim	

X DESIGNATES FINISHED ITEMS AND FINISH MUST BE SPECIFIED WHEN ORDERING



KP992L – KEYPAD PCB ASSEMBLY

ITEM NO.	QTY	PART NO.	DESCRIPTION	FINISH
1	1	111877	KP992 Keypad PCB Assy	
2	1	971232	KP992 Mounting Bracket	
3	1	971233	KP992 Cable	

X DESIGNATES FINISHED ITEMS AND FINISH MUST BE SPECIFIED WHEN ORDERING

