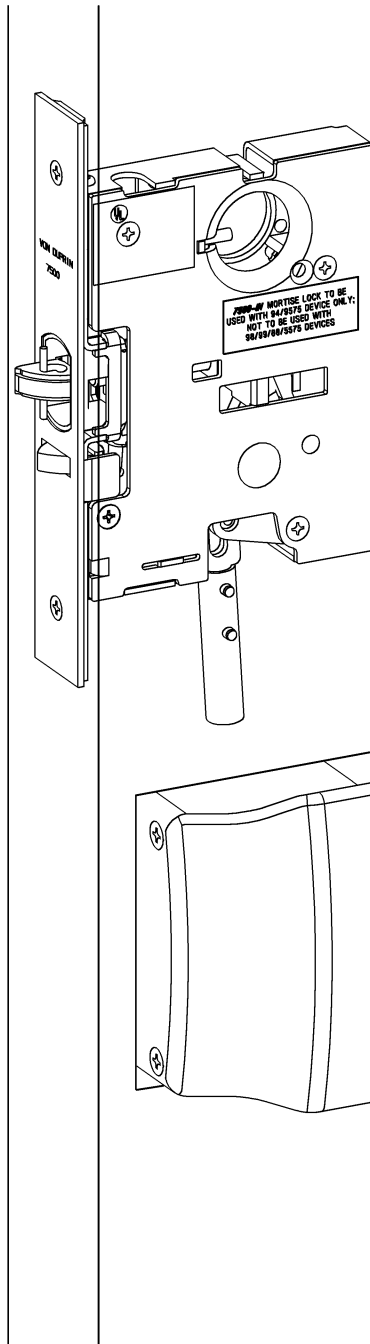


VON DUPRIN

PARTS MANUAL

JULY 2001

94/9575 SERIES RECESSED EXIT DEVICES



9575 SHOWN

INDEX

94/9575 Mortise Devices (Panic)	
Basic Device	4
Variations to the Basic Device:	
EL (Electric Latch Retraction).....	8

94/9575 Mortise Devices (Fire)	
Basic Device	6
Variations to the Basic Device:	
EL (Electric Latch Retraction).....	8

Mortise Locks	
7500-IN Mortise Lock	9
SS7500-IN Mortise Lock	11

General Information	
How to Order	2
Finishes	3
Outside Trim Functions	3
Strikes.....	3

INTRODUCTION

This Manual contains a listing of replaceable parts and assemblies for the 94/9575 Mortise Lock Recessed Exit Devices. (94 Series and 95 Series devices are almost identical. The 95 Series has a grooved pushpad; the 94 Series has a smooth pushpad .)

HOW TO ORDER

Some parts are sold separately. Other items are available as part of an assembly. For the best possible service when ordering replacement parts or assemblies, please provide the following information:

- Part or Assembly number
- Description
- Quantity needed
- Finish desired (if available finished)
- Date of original purchase, if known

To find out the name of your local Von Duprin distributor or sales representative, contact:

Exit Device Division
Ingersoll-Rand Company
2720 Tobey Drive
Indianapolis, Indiana 46219
Phone: (800) 999-0408
 (317) 613-8944
Fax: (800) 999-0328
 (317) 613-8302

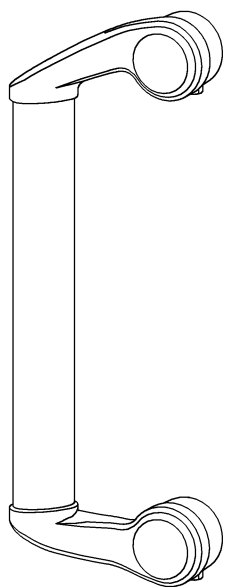
PART NUMBER CHANGES

This manual reflects the product as sold in July 2001. Because of changes to the product and/or manufacturing process, part numbers can change.

OUTSIDE TRIM FUNCTIONS

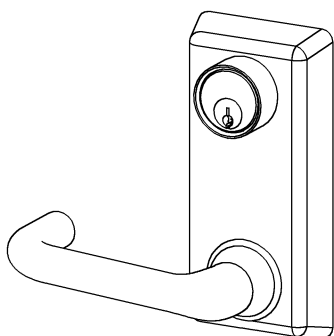
94/95 SERIES FINISHES

550-DT**

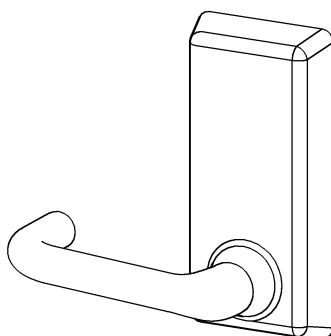


U.S. Std. Reference	BHMA Reference	Description
US3	605	Polished Brass
US4	606	Dull Brass
US10	612	Dull Bronze
US26	625	Polished Chrome
US26D	626	Dull Chrome
US28	628	Anodized Alum. (Clear)
313AN	710	Anodized Alum. (313) Dark Bronze

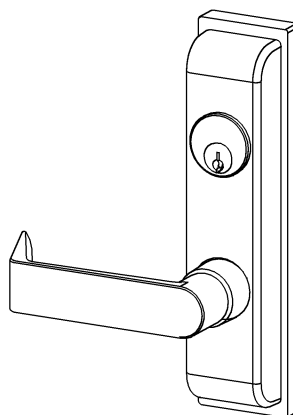
LP230L



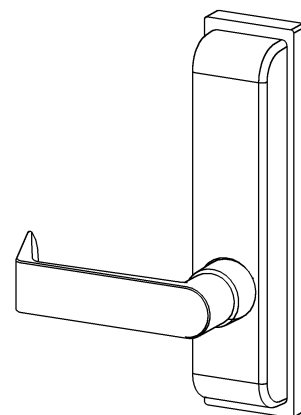
LP230L-BE*



LP373L

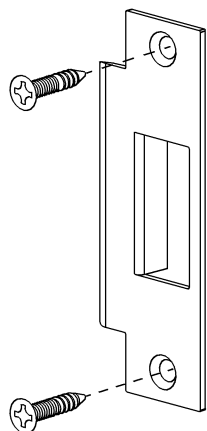


LP373L-BE*

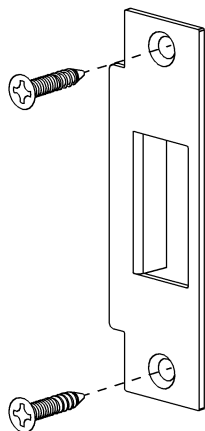


* "BE" (Blank Escutcheon) no cylinder used – lever or knob always active
 ** "DT" (Dummy Trim) rigid lever or knob for pull operation

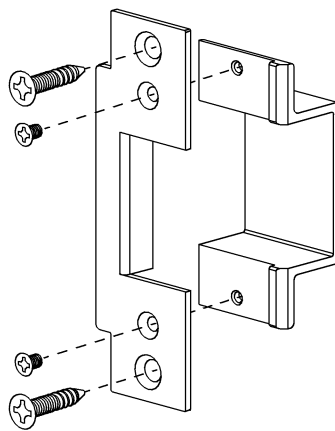
MORTISE STRIKES



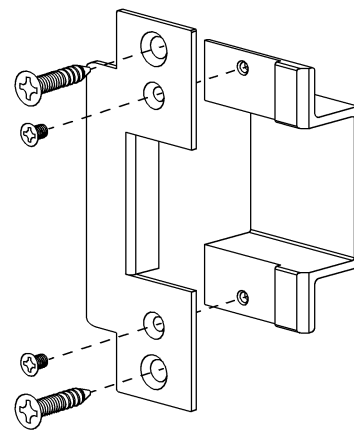
575 Mortise Strike



575-2 Mortise Strike



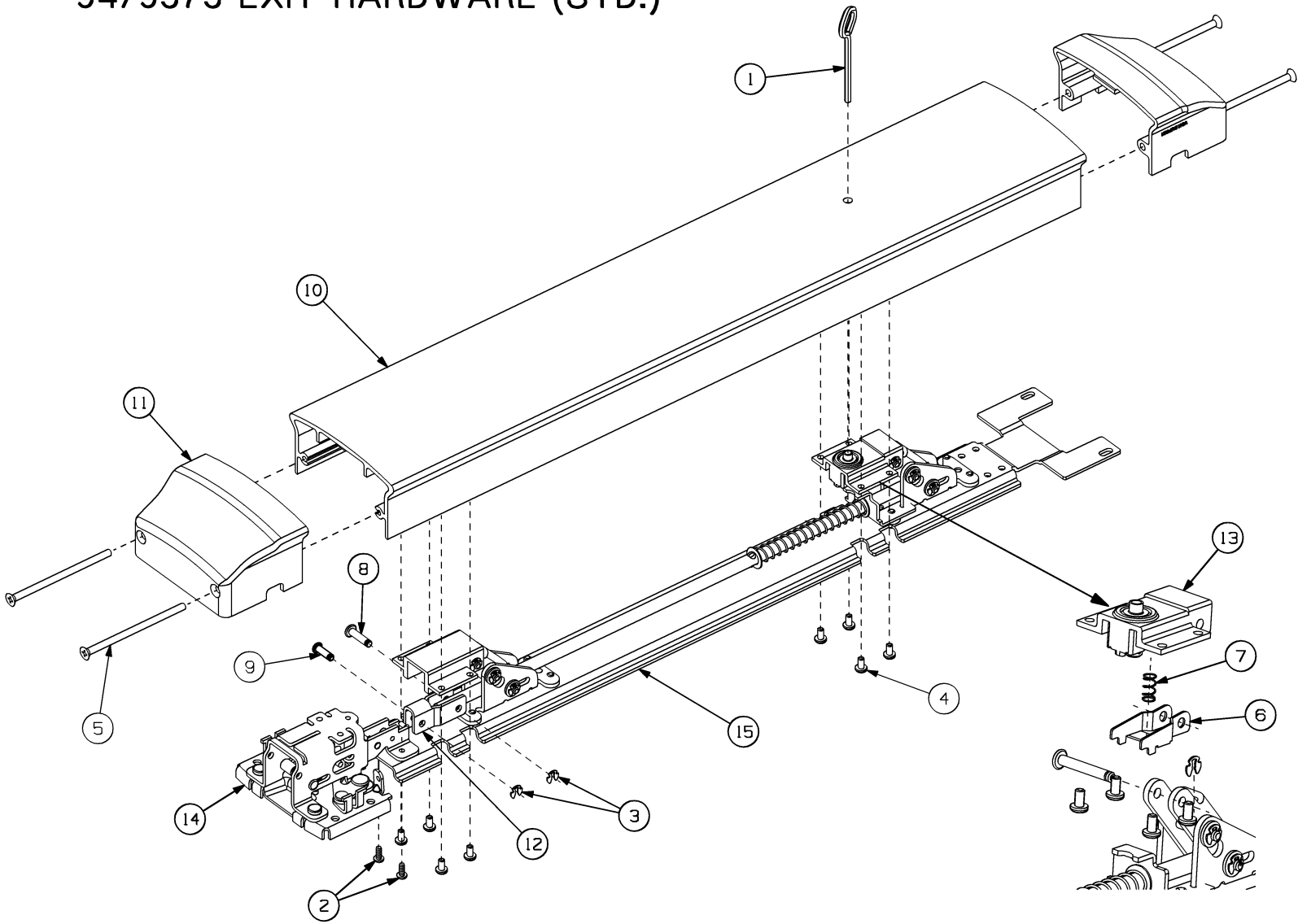
576A Mortise Strike



576B Mortise Strike

Note: All screws are included with each Strike.

94/9575 EXIT HARDWARE (STD.)



94/9575 EXIT HARDWARE (STD.)

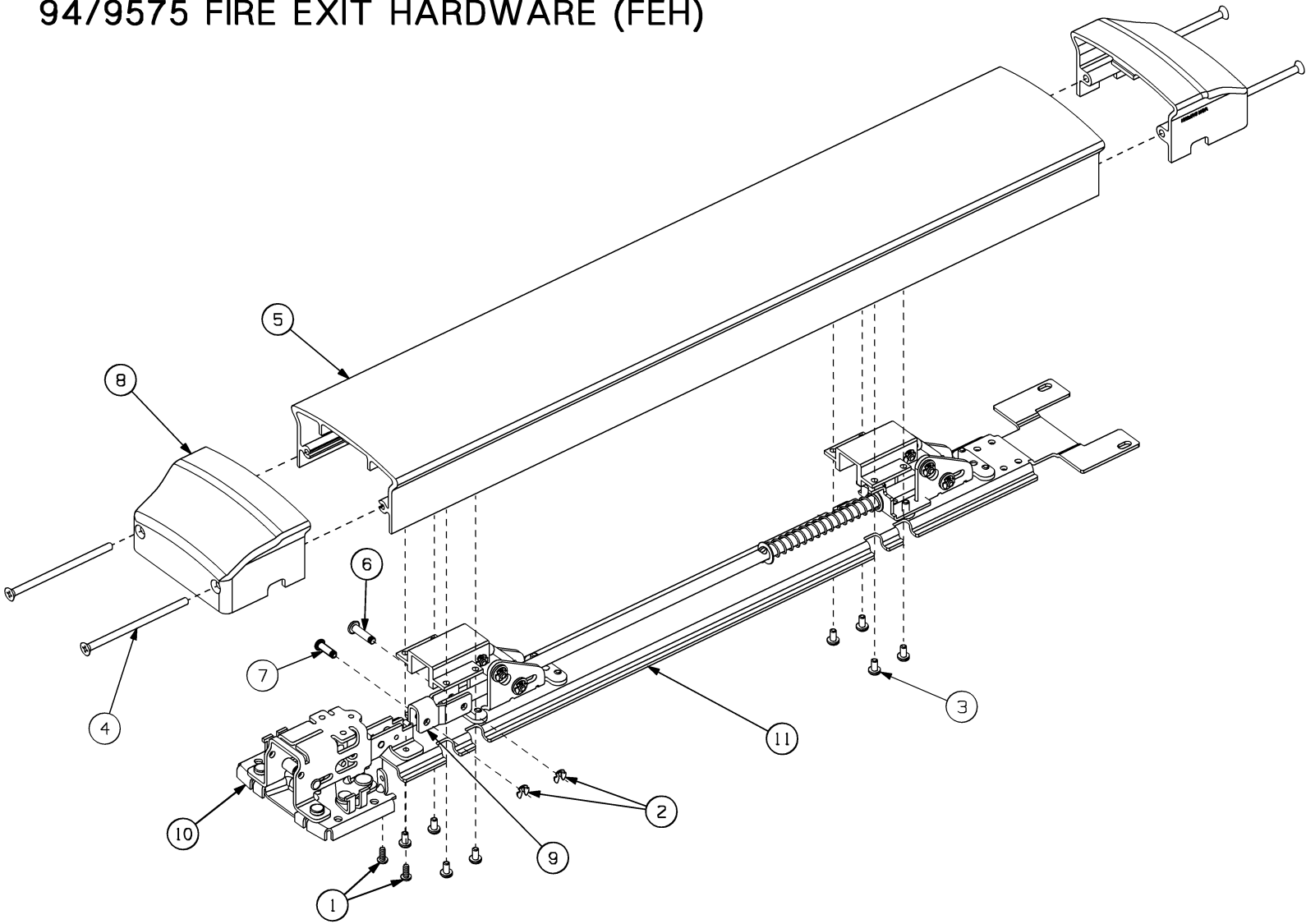
ITEM NO.	QTY	PART NO.	DESCRIPTION	FINISH
1	1	090085	227 Dog Key 5/32" Hex (Pack of 10)	
2	2	963712	8-32 X 3/8" PPHMS Thd. Forming	
3	2	964066	Retaining Ring	
4	8	964081	#8-32 X 5/16" PP Hd. Mach. Screw	
5	4	964501	#10-24 X 3 1/2" FP Hd. Machine Screw	X
6	1	971659	Dogging Clip	
7	1	971664	Dogging Clip Spring	
8	1	971706	Baseplate Link Pin	
9	1	971507	33/35 Control Link Pin	
10	1	971709	9547 Pushpad - Std. (Grooved) for US10,26	X
10	1	971710	9447 Pushpad - Std. (Smooth) for US3,26	X
10	1	971763	9547 Pushpad - Std. (Grooved) for US4,10,26D,28,313AN	X
10	1	971764	9447 Pushpad - Std. (Smooth) for US4,10,26D,28,313AN	X
11	2	971711	94/9547 End Cap (622 Std. Finish)	X
12	1	971712	Main Control Link	
13	1	BRKT.131	94/9547 Dogging Bracket Sub-Assembly	
14	1	CASE.107	94/9547 Center Case Assembly	
15	1	PLATE.111	94/9547 Baseplate Assembly - Std.	

X DESIGNATES FINISHED ITEMS AND FINISH MUST BE SPECIFIED WHEN ORDERING

NOTES:

- 1) THE SAME FINISH SHOULD BE SPECIFIED FOR ITEMS 5 & 11
- 2) ITEMS 13 & 15 ARE NOT FOR FIELD CONVERSIONS

94/9575 FIRE EXIT HARDWARE (FEH)



94/9575 FIRE EXIT HARDWARE (FEH)

ITEM NO.	QTY	PART NO.	DESCRIPTION	FINISH
1	2	963712	8-32 X 3/8" PPHMS Thd. Forming	
2	8	964066	Retaining Ring	
3	8	964081	#8-32 X 5/16" PP Hd. Mach. Screw	
4	4	964501	#10-24 X 3 1/2" FP Hd. Machine Screw	X
5	1	971655	9547 Pushpad - FEH (Grooved) for US3,26	X
5	1	971656	9447 Pushpad - FEH (Smooth) for US3,26	X
5	1	971765	9547 Pushpad - FEH (Grooved) for US4,10,26D,28,313AN	X
5	1	971766	9447 Pushpad - FEH (Smooth) for US4,10,26D,28,313AN	X
6	1	971706	Baseplate Link Pin	
7	1	971507	33/35 Control Link Pin	
8	2	971711	94/9547 End Cap (622 Std. Finish)	X
9	1	971712	Main Control Link	
10	1	CASE.107	94/9547 Center Case Assembly	
11	1	PLATE.117	94/9547 Baseplate Assembly - FEH	

X DESIGNATES FINISHED ITEMS AND FINISH MUST BE SPECIFIED WHEN ORDERING

NOTES:

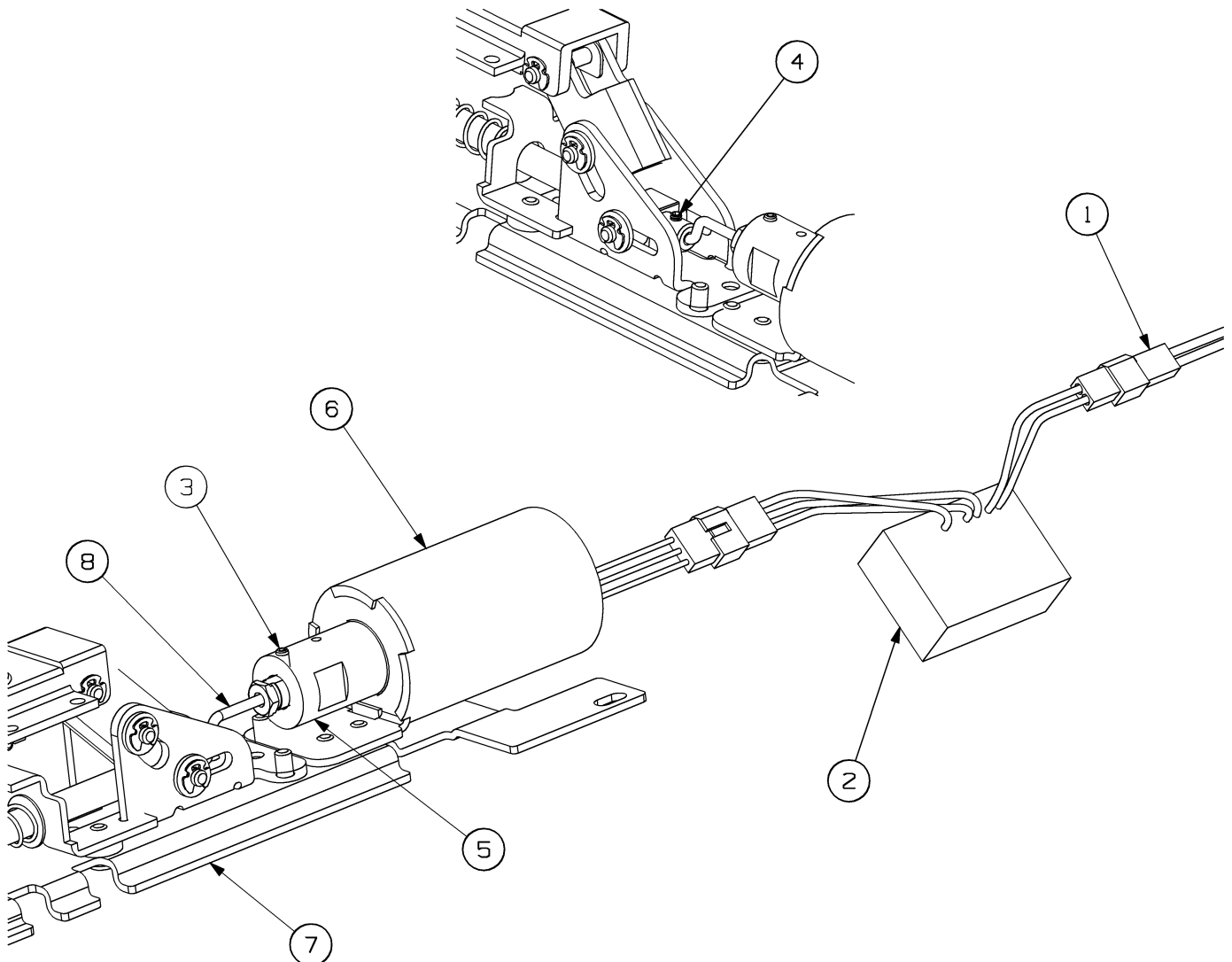
- 1) THE SAME FINISH SHOULD BE SPECIFIED FOR ITEMS 4 & 8
- 2) ITEM 11 IS NOT FOR FIELD CONVERSION

94/9575 – EL (STD. & FEH) ELECTRIC LATCH RETRACTION OPTION

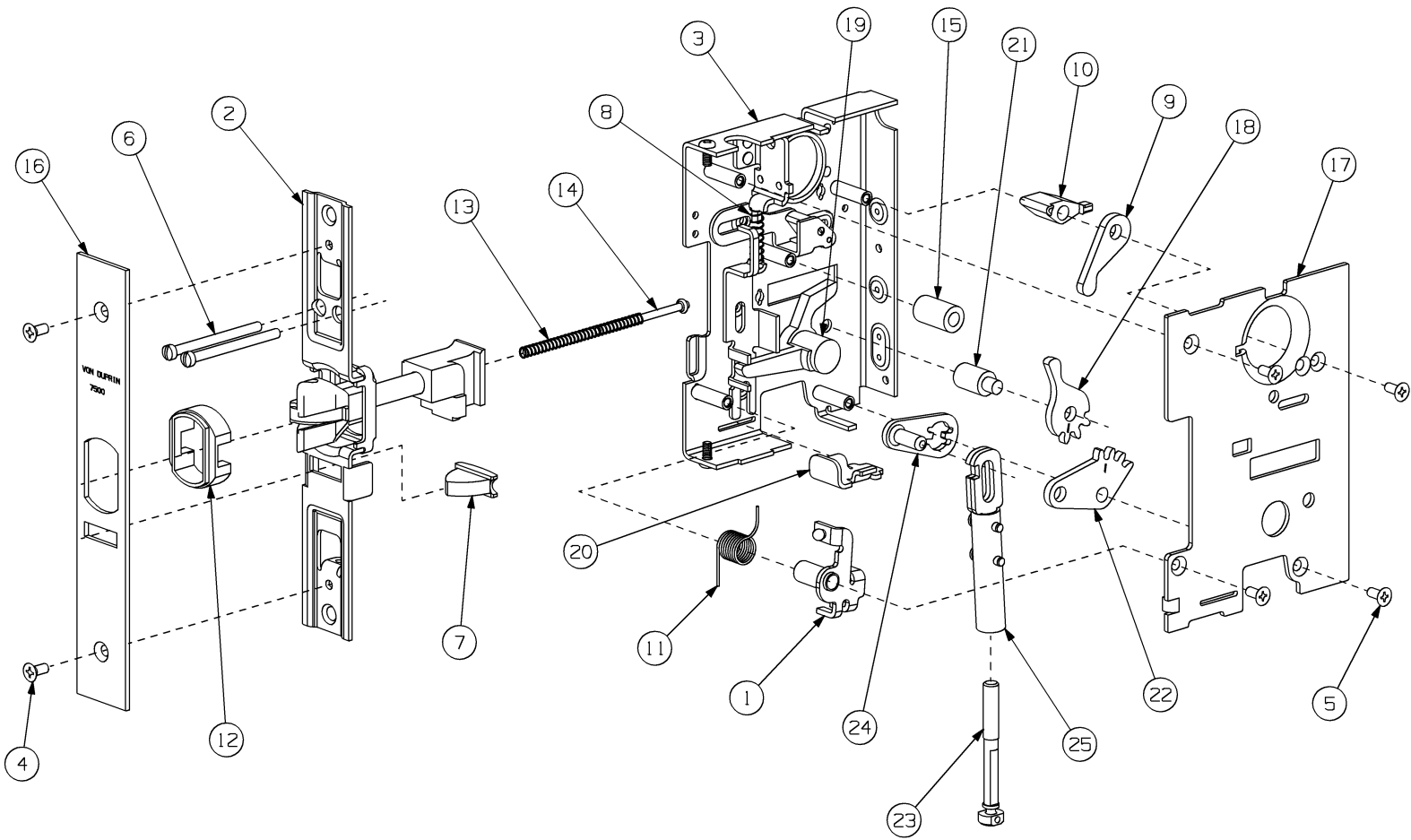
ITEM NO.	QTY	PART NO.	DESCRIPTION	FINISH
1	1	110388	EL 6' Cable and Connector	
2	1	110741	Potted Circuit Breaker (EL Solenoid)	
3	1	963764	#6-32 X 1/4" Soc. Set Screw	
4	1	964061	#4-40 x 3/16" Socket Set Screw	
5	1	971702	Solenoid Plunger	
6	1	971703	94/9547 EL Solenoid Assembly	
7	1	PLATE.118	94/9547 Std. Baseplate Assembly - EL	
7	1	PLATE.119	94/9547 FEH Baseplate Assembly - EL	
8	1	RODASY.124	94/9547 EL Dogging Rod Assembly	

X DESIGNATES FINISHED ITEMS AND FINISH MUST BE SPECIFIED WHEN ORDERING

NOTE: ITEM 7 IS NOT FOR FIELD CONVERSION



7500-IN MORTISE LOCK



7500-IN MORTISE LOCK

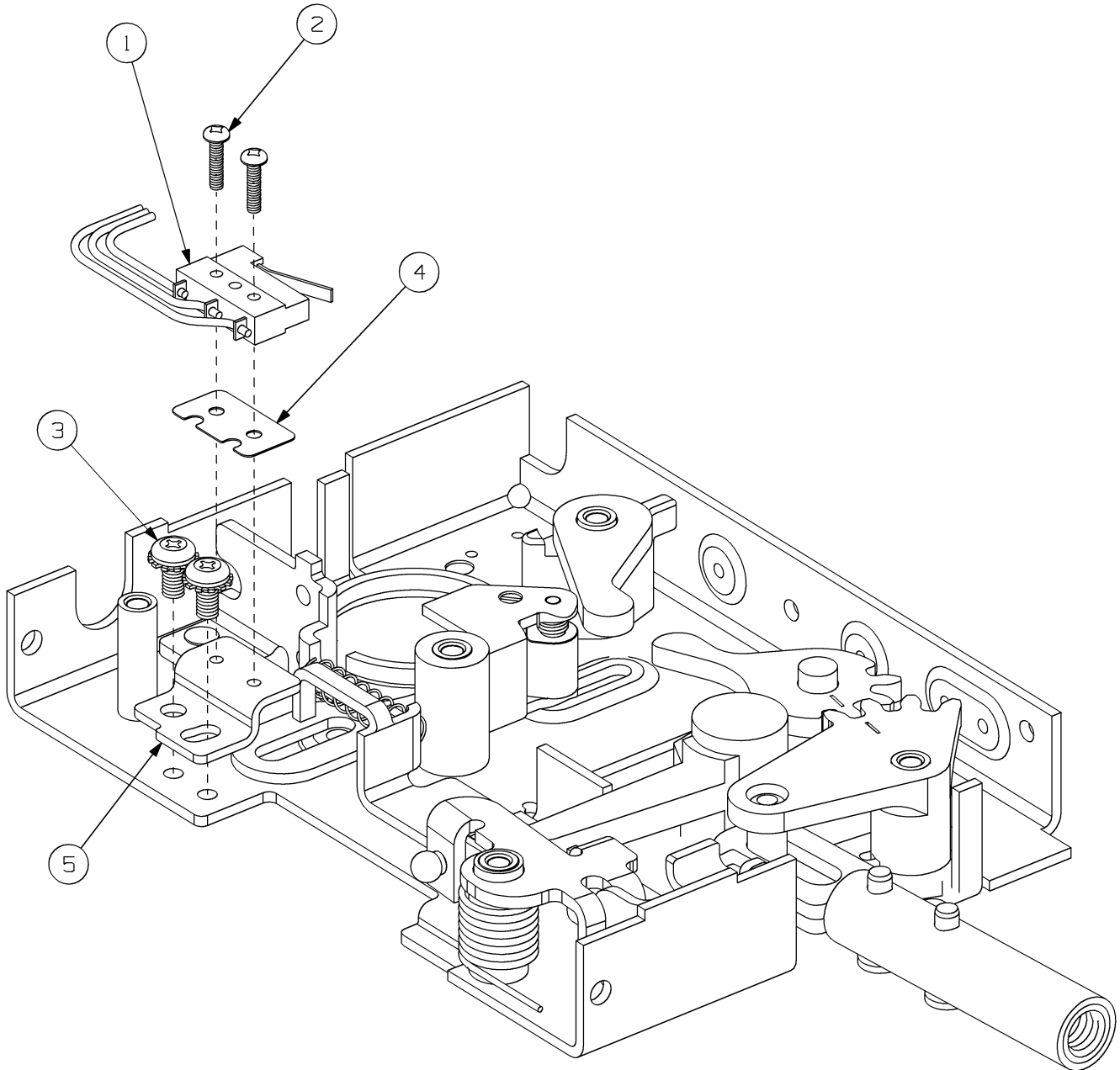
ITEM NO.	QTY	PART NO.	DESCRIPTION	FINISH
1	1	109347	7500 Aux. Bolt Link Sub-Assembly	
2	1	109773	7500 Latchbolt & Faceplate Sub-Assembly	
3	1	112032	7500 Latch Case Housing Sub-Assembly	
4	2	963080	#8 - 32 X 3/8" FP Hd. Machine Screw	X
5	4	963812	#8-32 X 3/8" Undrct. Flat Ph. Hd. Mach. Screw	
6	2	963954	7500 Cyl. Set - 8-32 X 2" Fill SHMS	
7	1	968668	7500 Auxiliary Bolt	
8	1	968748	7500 Deadlocking Spring	
9	1	968761	7500 Trim Bolt Retractor	
10	1	968762	7500 Trim Lock Actuator	
11	1	968935	7500 Auxiliary Bolt Spring	
12	1	968939	7500 Latchbolt Collar	
13	1	969089	7500 Latch Return Spring	
14	1	969610	7500 Latch Return Spring Guide	
15	1	970735	7500 Stem Support	
16	1	968766	7500 Scalp Plate - US32, US32D	X
16	1	970872	7500 Scalp Plate - US3, US4, US10B	X
16	1	970873	7500 Scalp Plate - US10	X
17	1	971822	7500 Housing Cover	
18	1	971823	Gear Follower	
19	1	971824	Slider Arm	
20	1	971825	Slider Bracket	
21	1	971826	Gear Follower Post	
22	1	971827	Gear Driver	
23	1	971832	Rod Connector	
24	1	971833	Mortise Gear Bracket	
25	1	RECEIVER.101	Rod Receiver Assembly	

X DESIGNATES FINISHED ITEMS AND FINISH MUST BE SPECIFIED WHEN ORDERING

SS7500-IN MORTISE LOCK

ITEM NO.	QTY	PART NO.	DESCRIPTION	FINISH
1	1	109658	Switch Wiring Assembly (R/Y/B Wires)	
2	2	964269	#2-56 x 3/8" PPHMS	
3	2	964367	#6-32 x 1/4" PPHMS w/#6 Lockwasher	
4	1	968770	Switch Insulator	
5	1	970859	Switch Bracket	

X DESIGNATES FINISHED ITEMS AND FINISH MUST BE SPECIFIED WHEN ORDERING



Note: Use all parts on 7500-IN Mortise Lock (Page 9) plus the items on this page.