



Trim & Function

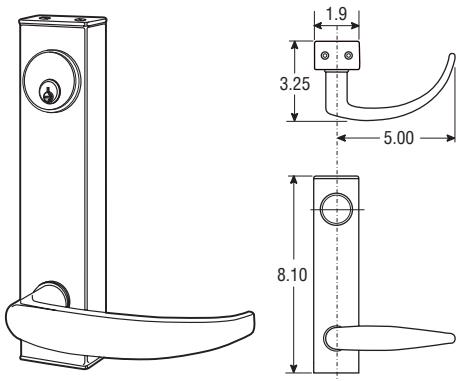
Wood Door Concealed Vertical Rod Exit Device

ANSI/BHMA Functions:

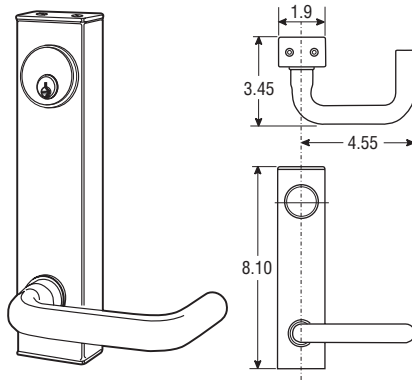
01	02	08	09	14
EXIT ONLY- NO TRIM	PULL ONLY WHEN DOGGED DUMMY TRIM FOR 8900 OR 3900 WITH ELECTRIC DOGGING	KEY LOCKS LEVER	KEY LOCKS LEVER NL	PASSAGE SET
CYLINDER TYPE				
N/A	N/A	MORTISE 	MORTISE 	N/A

NL – Night Latch

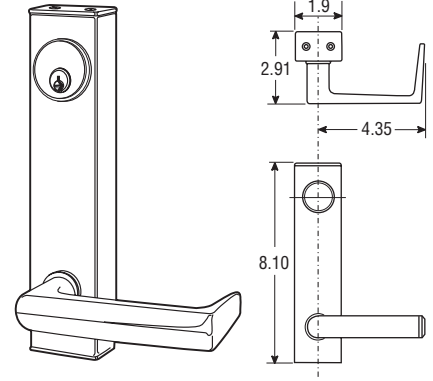
Clutch Lever Entry Trim



Modern Model 3081

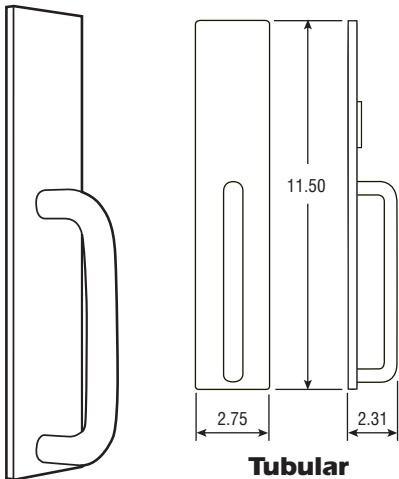


Tubular Model 3082

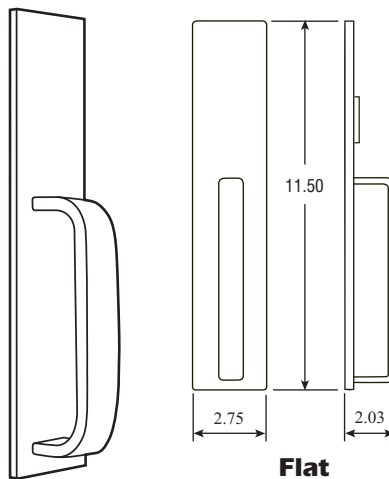


Traditional Model 3083

Fixed Pulls (US32 only)

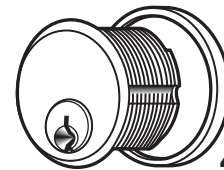


Tubular Model 3001



Flat Model 3002

Mortise Cylinder



4036-01

Standard diameter five-pin unit with MS® cam, suitable for use with Entry Trim. All brass construction with front "scalp" available in finishes 628, 313 and 335. Available in quantity all keyed different (KD), in pairs (KA2) or fifty alike (KA50). Any other make standard Mortise cylinder with MS® cam can be used to "key in" with existing systems.