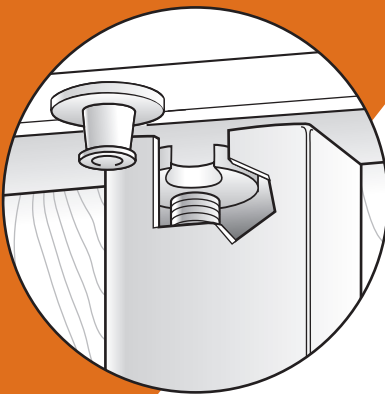
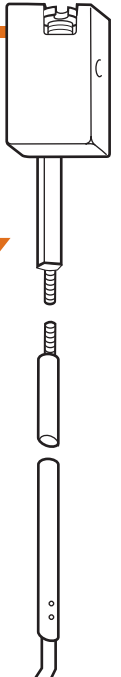


BHMA TYPE 7

Wood Door Concealed Vertical Rod Exit Device

3900 Series 
FIRE-RATED

8900 Series
LIFE-SAFETY



Features:

- ▼ Patented top latching mechanism interlocks door to frame
- ▼ Innovative Top Rod Only design makes preparation easier and reduces maintenance
- ▼ Pushbar anodized or clad, not plated, in a variety of finishes
- ▼ Strong, durable construction
- ▼ Standard device accommodates doors up to 8 ft.

CERTIFICATIONS:

8900 SERIES:

Warnock Hersey Life Safety Listing
ANSI/BHMA A156.3 Grade 1
California State Fire Marshall
New York City MEA*

*Consult factory for specific number

3900 SERIES:


California State Fire Marshall
New York City MEA*
Warnock/Hersey Listing for
Fire Doors up to 9 Feet. **

**See Chart on next page for rating



ADAMS RITE
MANUFACTURING CO.

260 Santa Fe Street
Pomona, California 91767
(800) 872-3267 Fax: (800) 232-7329
www.adamsrite.com