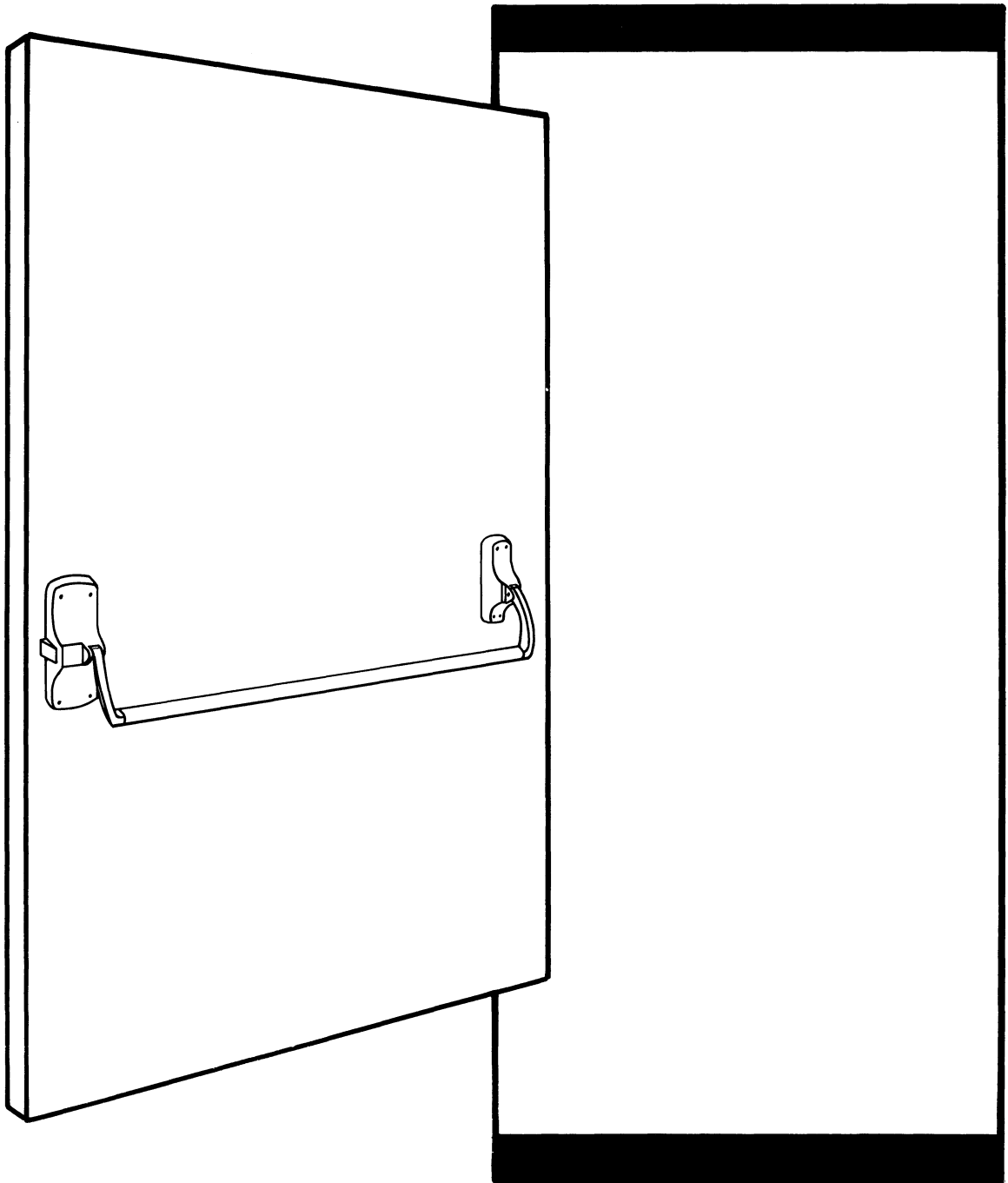


PARTS MANUAL

88 Rim Devices



Index

- Introduction 2
- Device Specifications..... 3
- Mounting Hardware and Auxiliary Items..... 3
- Conversion Kits 3
- Parts List—EO-DT-NL Functions..... 5 thru 8
- Parts List—K/L 9 thru 12
- Parts List—TP 13 thru 16
- Parts List—K2 17, 18
- Parts List—TP2 19, 20
- Parts List NL-HB 21, 22
- Backplate Assy. 23, 24
- Paddle Devices.....25
- Product Maintenance.....26

Introduction

This Manual contains product specifications, a complete listing of replaceable parts and assemblies, and general maintenance information for the 88 Rim Exit Devices, Deadlocking 88 Rim Exit Devices (DL) and Rim Fire Exit Hardware Devices (FEH) and their auxiliary components. For your convenience, the Parts Lists refer directly to the product illustrations. The assemblies are represented by letters and the component parts are represented by numbers. The parts lists also show the quantity of parts or assemblies required for each device.

For the best possible service when ordering replacement parts or assemblies, please provide the following information:

- Part or Assembly number
- Description
- Quantity needed
- Finish desired (if available finished)
- Delivery information

Send orders to:

Von Duprin
 2720 Tobey Drive
 Indianapolis, Indiana 46219
 (317) 897-9944

or contact your local Von Duprin distributor or sales representative.

© 1991, Von Duprin, Inc.

Strike and Mullion Applications

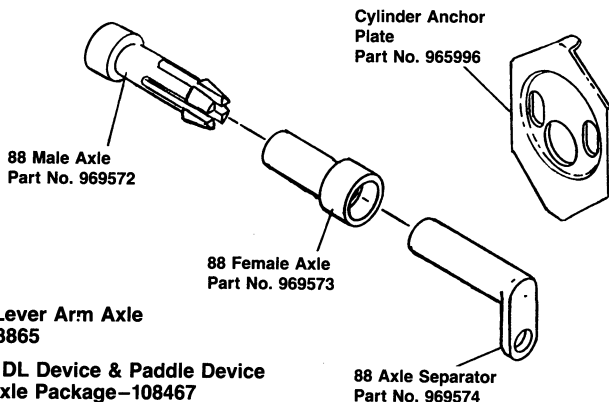
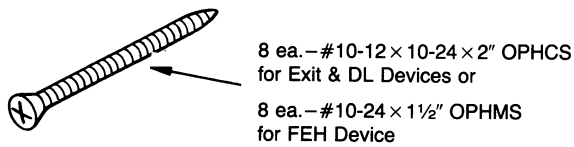
Strike	Projection	Mullion	Min. Stile
299/299F	13/16"	4954	4 1/16"
268	13/16"	9954	4 1/16"
268	13/16"	DL-4954	4 1/16"
299/299F	13/16"	5254/5654	4 1/4"
264	9/16"	4954	4 7/16"
264	9/16"	5254/5654	4"
268	13/16"	DL-5254/DL5654	4 1/4"
1606	3/8"	1654	4 1/4"
1408	0"	5554/5754	3 7/16"

Single Door Strike Applications

Strike	Projection	Min. Stile
299/299F	13/16"	4 3/8"
264	9/16"	4 1/8"
1606	3/8"	3 15/16"
268	13/16"	4 3/8"

Exit & DL Device Mounting Screw Package—900500

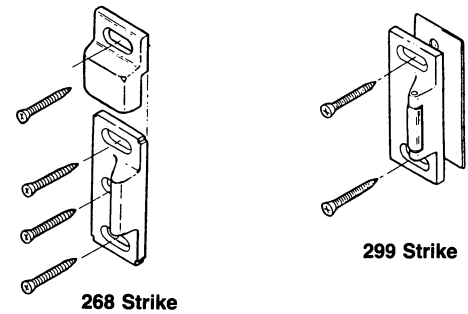
FEH Device Mounting Screw Package—900557



Exit Device Lever Arm Axle Package—103865

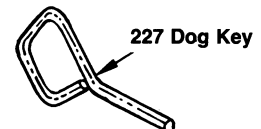
FEH Device, DL Device & Paddle Device Lever Arm Axle Package—108467

(contains only one Axle Spool & one Axle Screw Assy.)



Standard Strikes shown.

Wedge Tite Key—103868



Device Features:

1. Brass, aluminum or stainless steel base materials.
2. Available with deadlocking (DL & FEH devices).
3. Hex Key Dogging (except FEH Devices).
4. Highly durable.
5. Devices are reversible in field (except Double Cyl., DL & FEH).
6. Crossbars available in (SSKD) stock sizes of 36" for up to 3'8" doors and 42" for up to 4'3" doors.
7. Complies with ANSI 156.3–Grade 1 Standards (1978).
8. Designed for use on stock hollow metal doors (Type 161 & 86) when used with 880 trim.

Device Finishes

U.S. Std. Ref.	BHMA Ref.	Description
US3	605	Polished Brass–Lacquered
US4	606	Dull Brass–Lacquered
US9	611	Polished Bronze–Lacquered
*US10	612	Dull Bronze–Lacquered
US10A	—	Dull Bronze–No Lacquer
US10B	613	Dull Bronze–Oxidized–Oil Rubbed
US26	625	Polished Chrome
*US26D	626	Dull Chrome
***US27	627	Satin, Lacquered Aluminum (Except FEH)
US32	629	Polished Stainless Steel
***US32D	630	Satin Stainless Steel

*Denotes Standard Finishes

***Finish no longer available

Note: Center Cases for FEH Devices are Stainless Steel only (plated to match Device finish).

Note: Some device options are no longer available. The illustrations for these options will be marked "Discontinued" and are for reference by owners with existing products.

Device Dimensions:

Crossbar Tubing	1" O.D.
Crossbar Height from finished floor	36 ¹³ / ₁₆ "
Crossbar Projection–Neutral	4 ⁷ / ₈ "
Crossbar Projection–Depressed	4"
Center Case	8 ¹ / ₄ " × 2 ³ / ₄ " × 1 ⁵ / ₁₆ "
End Case	6" × 1 ³ / ₄ " × 1 ⁵ / ₁₆ "

Door and Frame Specifications:

Door Thickness	1 ³ / ₄ " & 2 ¹ / ₄ "
Door & Frame	
Material	Hollow Metal, Wood, Composite
Door Opening–	
Single Door	3'8" Max. with Std. Crossbar
Double Door	3'8" Max. with Std. Crossbar (Depending on Mullion used)
Stile Width–Single Door	4" to Flush
Double Door	3 ⁷ / ₁₆ " to Flush
Stop Height	1/2" & 5/8"

Device Functions

Function	Device
EO –Exit Only DT –Dummy Trim NL –Night Latch TP –Thumbpiece K –Knob L –Lever	88 Rim DL 88 Rim 88 Rim FEH
TP-2 –Thumbpiece with Dbl. Cyl. Locking K-2 –Knob with Double Cylinder Locking NL-HB –Night Latch with Bolt Hold Back	88 Rim
E –Electric Locking (TP, K & L Functions Only)	88 Rim DL 88 Rim 88 Rim FEH

Device Mounting Hardware:

- 4–#10-12 × #10-24 Combination Screws (End Case)–Exit & DL Device
- 4–#10-12 × #10-24 Combination Screws (Center Case)–Exit & DL Device
- 8–#425 Sex Bolts (For EO Function)–Optional
- 4–#425 Sex Bolts (When 880 Trim is used)–Optional
- 4–#10-24 Machine Screws (End Case)–FEH Device
- 4–#10-24 Machine Screws (Center Case)–FEH Device

Note: Sex Bolt application is optional and when specified is supplied with #10-24 Machine Screws.

Auxiliary Items:

1. 299 Strike–Code No. 030298 (Exit Device only)
The 299 Strike is a cast zinc roller strike furnished standard in black. Plated strikes to match device finishes are available as optional.
2. 268 Strike — Code No. 030209 (DL & FEH devices)
The 268 Strike is a stainless steel roller strike and is finished to match device finishes.
3. Conversion Kits (Exit Device/FEH Device)
 - A. 88CK-TP/88CK-TP-F
To convert EO, DT or NL device to thumbpiece operation. Kit includes TP trim.
 - B. 88CK-NL/88CK-NL-F
To convert TP to night-latch action. Kit includes NL trim.
 - C. 88CK-K/88CK-K-F
To convert to knob operation. Kit includes K trim.

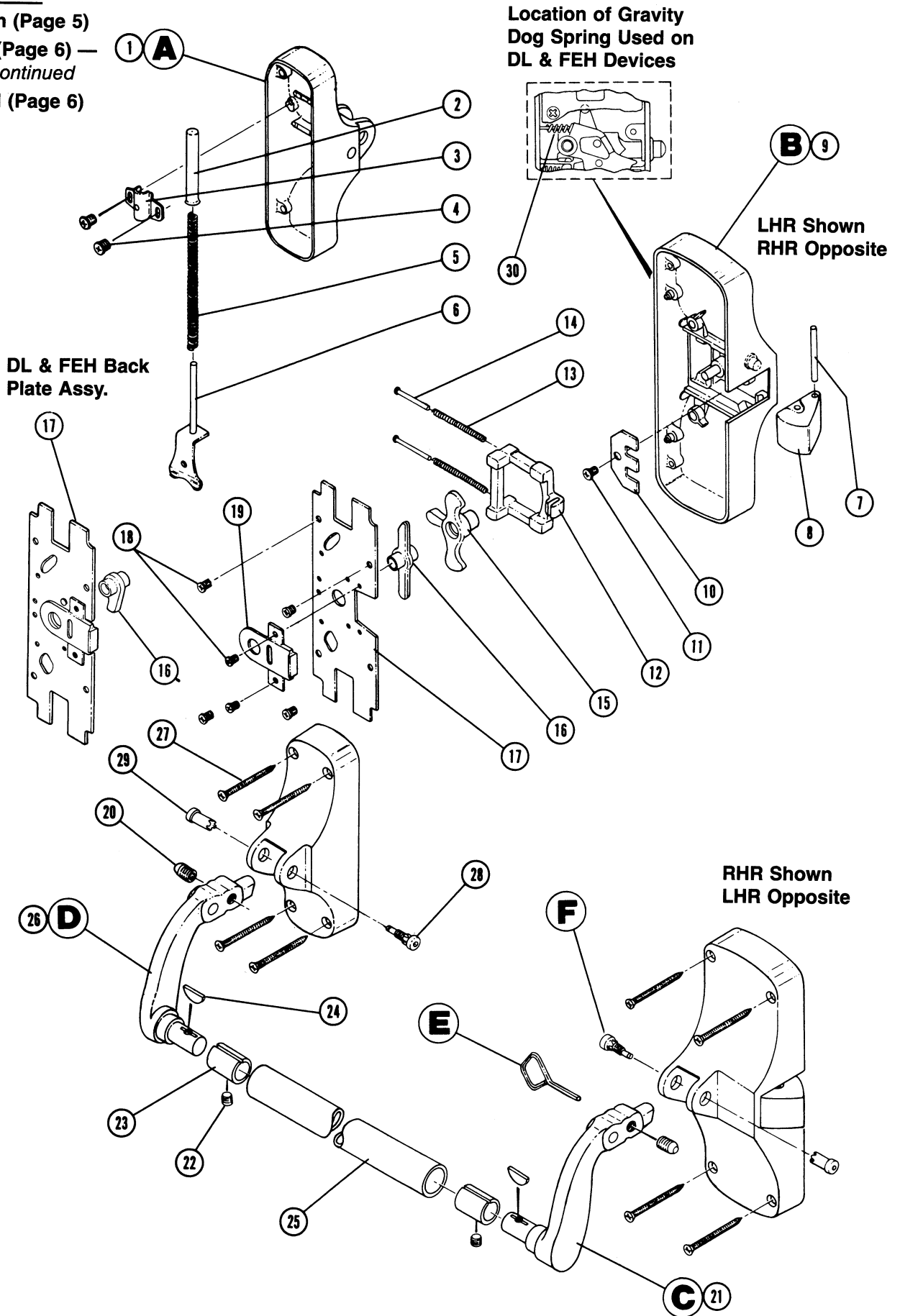
88 Rim Devices (EO, DT, NL)

Parts Lists

88 Rim (Page 5)

DL88 (Page 6) —
Discontinued

88FEH (Page 6)



Parts List–88 Rim Device–EO, DT, NL
Reference Illustration–Page 4

Item	Qty.	Part No.	Description	
A	1	101713	End Case Assy.–Brz.	X
A	1	101714	End Case Assy.–Alum.	X
A	1	101715	End Case Assy.–St. Stl.	X
B	1	101662	Center Case Assy.–Bronze	X
B	1	101663	Center Case Assy.–Alum.	X
B	1	101664	Center Case Assy.–St. Stl.	X
C	1	100744	Lever Arm Assy.–RH Brz.	X
C	1	100747	Lever Arm Assy.–RH Alum.	X
C	1	101486	Lever Arm Assy.–RH St. Stl.	X
D	1	100729	Lever Arm Assy.–LH Brz.	X
D	1	100746	Lever Arm Assy.–LH Alum.	X
D	1	101487	Lever Arm Assy.–LH St. Stl.	X
E	1	103868	Wedge Tite Key	
F	1	103865	Lever Arm Axle Package	
1	1	960517	End Case–Brz.	X
1	1	960518	End Case–Alum.	X
1	1	960519	End Case–St. Stl.	X
2	1	951081	Spring Tube	
3	1	951910	Spring Tube Bracket	
4	2	963094	#8-32 × 5/16 PPHMS–Thd. Form.	
5	1	953630	Spring	
6	1	107682	Spring Stop Sub-Assy.	
7	1	945501	Latch Bolt Axle	
8	1	100751	Latch Bolt Sub-Assy.	X
9	1	101653	Center Case Sub-Assy.–Brz.	X
9	1	101654	Center Case Sub-Assy.–Alum.	X
9	1	101655	Center Case Sub-Assy.–St. Stl.	X
10	1	960675	Latch Retainer Plate	
11	1	963098	#10-24 × 5/16" Lg. PPHMS–Thd. Form.	
12	2	952280	Latch Tail	
13	2	966762	Latch Tail Spring	
14	2	963099	1/8" × 1 1/4" Lg. Rd. Hd. Rivet	
15	1	951960	Master Cam	
16	1	951970	NL Cylinder Cam	

Item	Qty.	Part No.	Description	
17	1	952160	Back Plate	
18	6	963094	#8-32 × 5/16" Lg. PPHMS–Thd. Form.	
19	1	960856	Auxiliary Back Plate–Brz.	X
19	1	960857	Auxiliary Back Plate–Alum.	X
20	1	968485	Dog Screw	
21	1	101444	Lever Arm & Adaptor Assy.–RH–Brz.	X
21	1	101446	Lever Arm & Adaptor Assy.–RH–Alum.	X
21	1	101479	Lever Arm & Adaptor Assy.–RH–St. Stl.	X
22	1	963851	Wedge Tite Adaptor Screw (5/16"–18" × 5/8" Set Scr.)	
23	1	965676	Tube Attaching Ring	
24	1	956520	Attaching Ring Wedge	
25	1	060275	Cross Bar Tube–Std.–27 1/2" Lg.	X
25	1	061275	Cross Bar Tube–Knurled–Std.– 27 1/2" Lg.	X
25	1	060295	Cross Bar Tube–Std.–29 1/2" Lg.	X
25	1	061295	Cross Bar Tube–Knurled 29 1/2" Lg.	X
25	1	060360	Cross Bar Tube–Std. 36" Lg.	X
25	1	061360	Cross Bar Tube–Knurled 36" Lg.	X
25	1	060420	Cross Bar Tube–Std. 42" Lg.	X
25	1	061420	Cross Bar Tube–Knurled 42" Lg.	X
25	1	060500	Cross Bar Tube–Custom (Longer than 42")	X
25	1	061500	Cross Bar Tube–Custom–Knurled (Longer than 42")	X
26	1	101445	Lever Arm & Adaptor Assy.–LH–Brz.	X
26	1	101447	Lever Arm & Adaptor Assy.–LH–Alum.	X
26	1	101480	Lever Arm & Adaptor Assy.–LH–St. Stl.	X
27*	8	965291	#10-12 × 10-24 × 2 OPHCS–Brz.	X
27*	8	965292	#10-12 × 10-24 × 2 OPHCS– St. Stl.–Alum.	X
28**	2	969572	88 Axle–Male	
29**	2	969573	88 Axle–Female	
*	1	900500	Mounting Screw Package	X
**	1	103865	Lever Arm Axle Package	

X designates items that are finished.

Note: For ordering parts provide the part number, description, total quantity and finish required.

**Parts List–DL88 Rim Device
–EO, DT, NL**

Reference Illustration–Page 4

Item	Qty.	Part No.	Description	
A	1	106177	End Case Assy.–Brz.	X
A	1	106178	End Case Assy.–Alum.	X
A	1	106179	End Case Assy.–St. Stl.	X
B*	1	103272	Center Case Assy.–RH–Brz.	X
B*	1	103273	Center Case Assy.–RH–Alum.	X
B*	1	103274	Center Case Assy.–RH–St. Stl.	X
B*	1	103275	Center Case Assy.–LH–Brz.	X
B*	1	103276	Center Case Assy.–LH–Alum.	X
B*	1	103277	Center Case Assy.–LH–St. Stl.	X
C*	1	106110	Lever Arm Assy.–RH–Brz.	X
C*	1	106111	Lever Arm Assy.–RH–Alum.	X
C*	1	106112	Lever Arm Assy.–RH–St. Stl.	X
D*	1	106113	Lever Arm Assy.–LH–Brz.	X
D*	1	106114	Lever Arm Assy.–LH–Alum.	X
D*	1	106115	Lever Arm Assy.–LH–St. Stl.	X
E	1	103868	Wedge Tite Key	
F	1	108467	Lever Arm Axle Package	
6	1	106180	Spring Guide Stop Assy.	
8	1	101590	Latch Bolt Sub-Assy.	
16	1	960345	NL Cylinder Cam	
17	1	102393	Back Plate Assy.–RH–Brz.	X
17	1	102394	Back Plate Assy.–LH–Brz.	X
30	1	965322	Gravity Dog Spring	
*			Item B, Ctr. Cs. Assy. and Item C or D, Lever Arm Assy. must be ordered together. They cannot be sold as separate items.	
**	1	900500	Mounting Screw Package	X
***	1	108467	Lever Arm Axle Package	

X designates items that are finished.

Note: For ordering parts provide the part number, description, total quantity and finish required. See page 5 for items 1 thru 5, 7, 10, 11, 13, 14, 18, 20, 22 thru 25, 27, 28 & 29.

**Parts List–88 Rim FEH Device
–EO, DT, NL**

Reference Illustration–Page 4

Item	Qty.	Part No.	Description	
A	1	106174	End Case Assy.–Brz.	X
A	1	106175	End Case Assy.–Alum.	X
A	1	106176	End Case Assy.–St. Stl.	X
B*	1	101593	Center Case Assy.–RH	X
B*	1	101594	Center Case Assy.–LH	X
C*	1	106118	Lever Arm Assy.–RH–Brz.	X
C*	1	106119	Lever Arm Assy.–RH–Alum.	X
C*	1	106125	Lever Arm Assy.–RH–St. Stl.	X
D*	1	106122	Lever Arm Assy.–LH–Brz.	X
D*	1	106123	Lever Arm Assy.–LH–Alum.	X
D*	1	106127	Lever Arm Assy.–LH–St. Stl.	X
E*	1	103868	Wedge Tite Key	
F*	1	108467	Lever Arm Axle Package	
1	1	960912	End Case–Brz.	X
1	1	960913	End Case–Alum.	X
1	1	960914	End Case–St. Stl.	X
6	1	106180	Spring Stop Assy.	
8	1	101590	Latch Bolt Sub-Assy.	
16	1	960345	NL Cylinder Cam	
17	1	102393	Back Plate Assy.–RH–Brz.	X
17	1	102394	Back Plate Assy.–LH–Brz.	X
27**	8	963002	#10-24 × 1½" OPHMS	X
30	1	965322	Gravity Dog Spring	X
*			Item B, Ctr. Cs. Assy. and Item C or D, Lever Arm Assy. must be ordered together. They cannot be sold as separate items.	
**	1	900577	Mounting Screw Package	X
***	1	108467	Lever Arm Axle Package	

X designates items that are finished.

Note: For ordering parts provide the part number, description, total quantity and finish required. See page 5 for items 2 thru 5, 7, 10, 11, 13, 14, 18, 22 thru 25, 28 & 29.

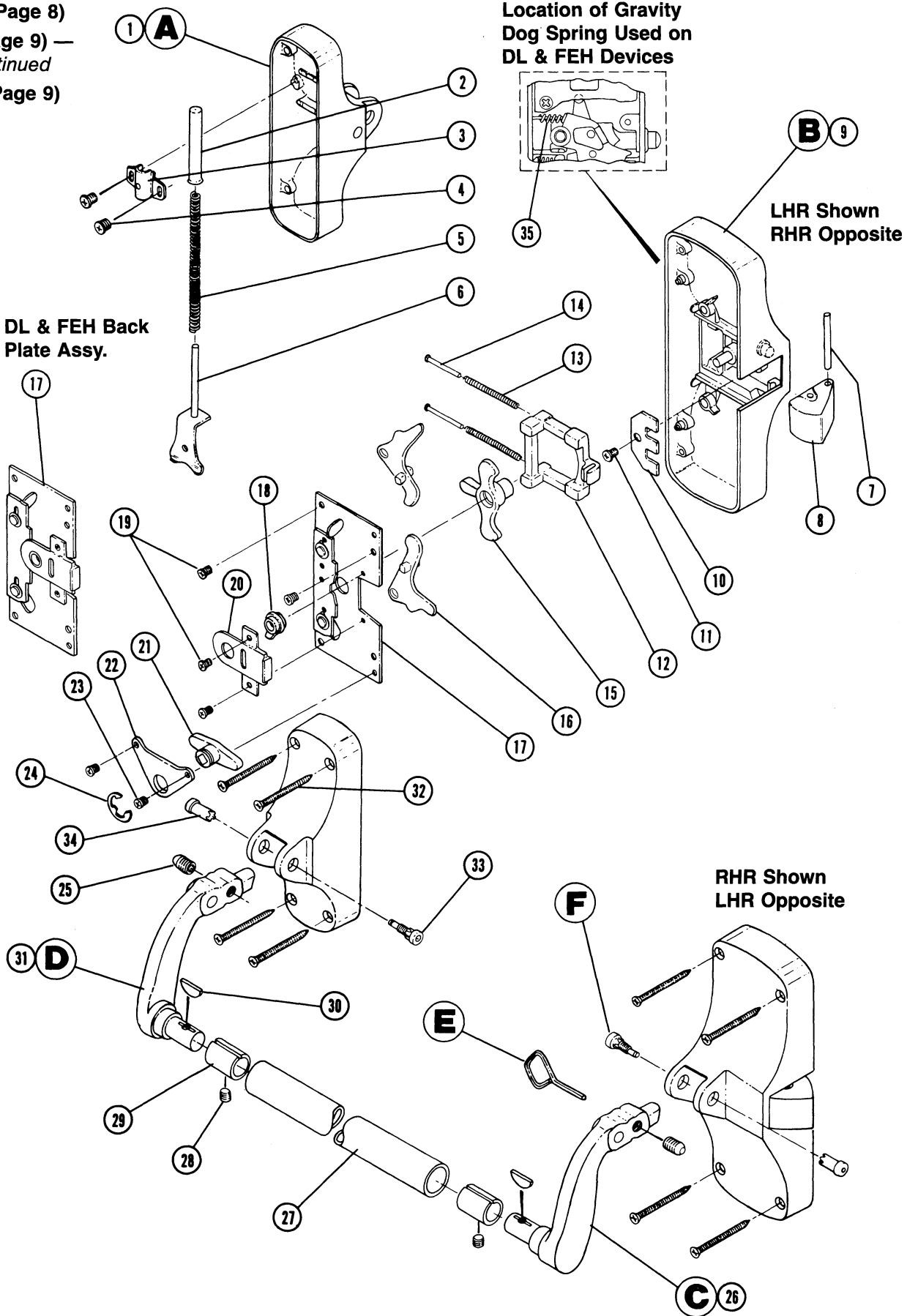
88 Rim Devices (K/L)

Parts Lists

88 Rim (Page 8)

DL88 (Page 9) —
Discontinued

88FEH (Page 9)



Parts List–88 Rim Device–K/L

Reference Illustration–Page 7

Item	Qty.	Part No.	Description	
A	1	101713	End Case Assy.–Brz.	X
A	1	101714	End Case Assy.–Alum.	X
A	1	101715	End Case Assy.–St. Stl.	X
B	1	104154	Center Case Assy.–RH–Brz.	X
B	1	104155	Center Case Assy.–RH–Alum.	X
B	1	104156	Center Case Assy.–RH–St. Stl.	X
C	1	100744	Lever Arm Assy.–RH	X
C	1	100747	Lever Arm Assy.–RH	X
C	1	101486	Lever Arm Assy.–RH	X
D	1	100729	Lever Arm Assy.–LH	X
D	1	100746	Lever Arm Assy.–LH	X
D	1	101487	Lever Arm Assy.–LH	X
E	1	103868	Wedge Tite Key	
F	1	103865	Lever Arm Axle Pack	
1	1	960517	End Case–Brz.	X
1	1	960518	End Case–Alum.	X
1	1	960519	End Case–St. Stl.	X
2	1	951081	Spring Tube	
3	1	951910	Spring Tube Bracket	
4	2	963094	#8-32 × 5/16" PPHMS–Thd. Form.	
5	1	953630	Spring	
6	1	107682	Spring Stop Sub-Assy.	
7	1	945501	Latch Bolt Axle	
8	1	100751	Latch Bolt Sub-Assy.	X
9	1	101653	Center Case Sub-Assy.–Brz.–LH & RH	X
9	1	101654	Center Case Sub-Assy.–Alum.–LH & RH	X
9	1	101655	Center Case Sub-Assy.–St. Stl.–LH & RH	X
10	1	960675	Latch Retainer Plate	
11	1	963098	#10-24 × 5/16" Lg. PPHMS–Thd. Form.	
12	2	952280	Latch Tail	
13	2	966762	Latch Tail Spring	
14	2	963099	1/8" × 1 1/4" Lg. Rd. Hd. Rivet	
15	1	951960	Master Cam	
16	1	965420	Knob Cam Lift	
17	1	104150	Back Plate Sub-Assy.	
18	1	965506	K Cylinder Cam	

Item	Qty.	Part No.	Description	
19	5	963094	#8-32 × 5/16" Lg. PPHMS–Thd. Form.	
20	1	965503	Auxiliary Back Plate	X
21	1	951950	Knob Cam	
22	1	965418	Knob Cam Bracket	
23	1	963712	#8-32 × 3/8" Lg. PPHMS–Thd. Form.	
24	1	963103	Snap Ring–Truarc #5133-62	
25	2	968485	Dog Screw	
26	1	101444	Lever Arm & Adaptor Assy.–RH–Brz.	X
26	1	101446	Lever Arm & Adaptor Assy.–RH–Alum.	X
26	1	101479	Lever Arm & Adaptor Assy.–RH–St. Stl.	X
27	1	060275	Cross Bar Tube–Std.–27 1/2" Lg.	
27	1	061275	Cross Bar Tube–Knurled–27 1/2" Lg.	
27	1	060295	Cross Bar Tube–Std.–29 1/2" Lg.	
27	1	061295	Cross Bar Tube–Knurled–29 1/2" Lg.	
27	1	060360	Cross Bar Tube–Std.–36" Lg.	
27	1	061360	Cross Bar Tube–Knurled–36" Lg.	
27	1	060420	Cross Bar Tube–Std.–42" Lg.	
27	1	061420	Cross Bar Tube–Knurled–42" Lg.	
27	1	060500	Cross Bar Tube–Custom– (Longer than 42")	
27	1	061500	Cross Bar Tube–Custom–Knurled– (Longer than 42")	
28	2	963851	Wedge Tite Adapt. Screw (5/16"-18 × 5/8" Set Scr.)	
29	2	965676	Tube Attaching Ring	
30	2	956520	Attaching Ring Wedge	
31	1	101445	Lever Arm & Adaptor Assy.–LH–Brz.	X
31	1	101447	Lever Arm & Adaptor Assy.–LH–Alum.	X
31	1	101480	Lever Arm & Adaptor Assy.–LH–St. Stl.	X
32*	8	965291	#10-12 × 10-24 × 2 OPHCS–Brz.	
32*	8	955292	#10-12 × 10-24 × 2 OPHCS–St. Stl.	
33**	2	969572	88 Axle–Male	
34**	2	969573	88 Axle–Female	
*	1	900500	Mounting Screw Package	X
**	1	103865	Lever Arm Axle Package	

X designates items that are finished.

Note: For ordering parts provide the part number, description, total quantity and finish required.

Parts List–DL88 Rim Device–K/L
Reference Illustration–Page 7

Item	Qty.	Part No.	Description	
A	1	106177	End Case Assy.–Brz.	X
A	1	106178	End Case Assy.–Alum.	X
A	1	106179	End Case Assy.–St. Stl.	X
B*	1	104166	Center Case Assy.–RH–Brz.	X
B*	1	104167	Center Case Assy.–RH–Alum.	X
B*	1	104168	Center Case Assy.–RH–St. Stl.	X
B*	1	104169	Center Case Assy.–LH–Brz.	X
B*	1	104170	Center Case Assy.–LH–Alum.	X
B*	1	104171	Center Case Assy.–LH–St. Stl.	X
C*	1	106110	Lever Arm Assy.–RH–Brz.	X
C*	1	106111	Lever Arm Assy.–RH–Alum.	X
C*	1	106112	Lever Arm Assy.–RH–St. Stl.	X
D*	1	106113	Lever Arm Assy.–LH–Brz.	X
D*	1	106114	Lever Arm Assy.–LH–Alum.	X
D*	1	106115	Lever Arm Assy.–LH–St. Stl.	X
E	1	103868	Wedge Tite Key	
F	1	108467	Lever Arm Axle Package	
6	1	106180	Spring Stop Assy.	
8	1	101590	Latch Bolt Sub-Assy.	X
17	1	104150	Back Plate Sub-Assy.	
35	1	965322	Gravity Dog Spring	
*			Item B, Ctr. Cs. Assy. and Item C, or D, Lever Arm Assy. must be ordered together. They cannot be sold as separate items.	
**	1	900500	Mounting Screw Package	X
***	1	108467	Lever Arm Axle Package	

X designates items that are finished.

Note: For ordering parts provide the part number, description, total quantity and finish required. See page 7 for items 1 thru 5, 7, 10, 11, 13, 14, 16, 19, 21 thru 24, 27 thru 30, 33 & 34.

Parts List–88 Rim FEH Device–K/L
Reference Illustration–Page 7

Item	Qty.	Part No.	Description	
A	1	106174	End Case Assy.–Brz.	X
A	1	106175	End Case Assy.–Alum.	X
A	1	106176	End Case Assy.–St. Stl.	X
B*	1	104164	Center Case Assy.–RH	X
B*	1	104165	Center Case Assy.–LH	X
C*	1	106118	Lever Arm Assy.–RH–Brz.	X
C*	1	106119	Lever Arm Assy.–RH–Alum.	X
C*	1	106125	Lever Arm Assy.–RH–St. Stl.	X
D*	1	106122	Lever Arm Assy.–LH–Brz.	X
D*	1	106123	Lever Arm Assy.–LH–Alum.	X
D*	1	106127	Lever Arm Assy.–LH–St. Stl.	X
E	1	103868	Wedge Tite Key	
F	1	108467	Lever Arm Axle Package	
1	1	960912	End Case–Brz.	X
1	1	960913	End Case–Alum.	X
1	1	960914	End Case–St. Stl.	X
6	1	106180	Spring Stop Assy.	
8	1	101590	Latch Bolt Sub-Assy.	X
17	1	104153	Back Plate Assy.	X
32	1	969573	#10-24 × 1½" OPHMS	
35	1	965322	Gravity Dog Spring	
*			Item B, Ctr. Cs. Assy. and Item C, or D, Lever Arm Assy. must be ordered together. They cannot be sold as separate items.	
**		900557	Mounting Screw Package	
***		108467	Lever Arm Axle Package	

X designates items that are finished.

Note: For ordering parts provide the part number, description, total quantity and finish required. See page 7 for items 2 thru 5, 7, 10, 11, 13, 14, 16, 19, 21 thru 25, 27 thru 30, 32, 33 & 34.

88 Rim Devices (TP)

Parts Lists

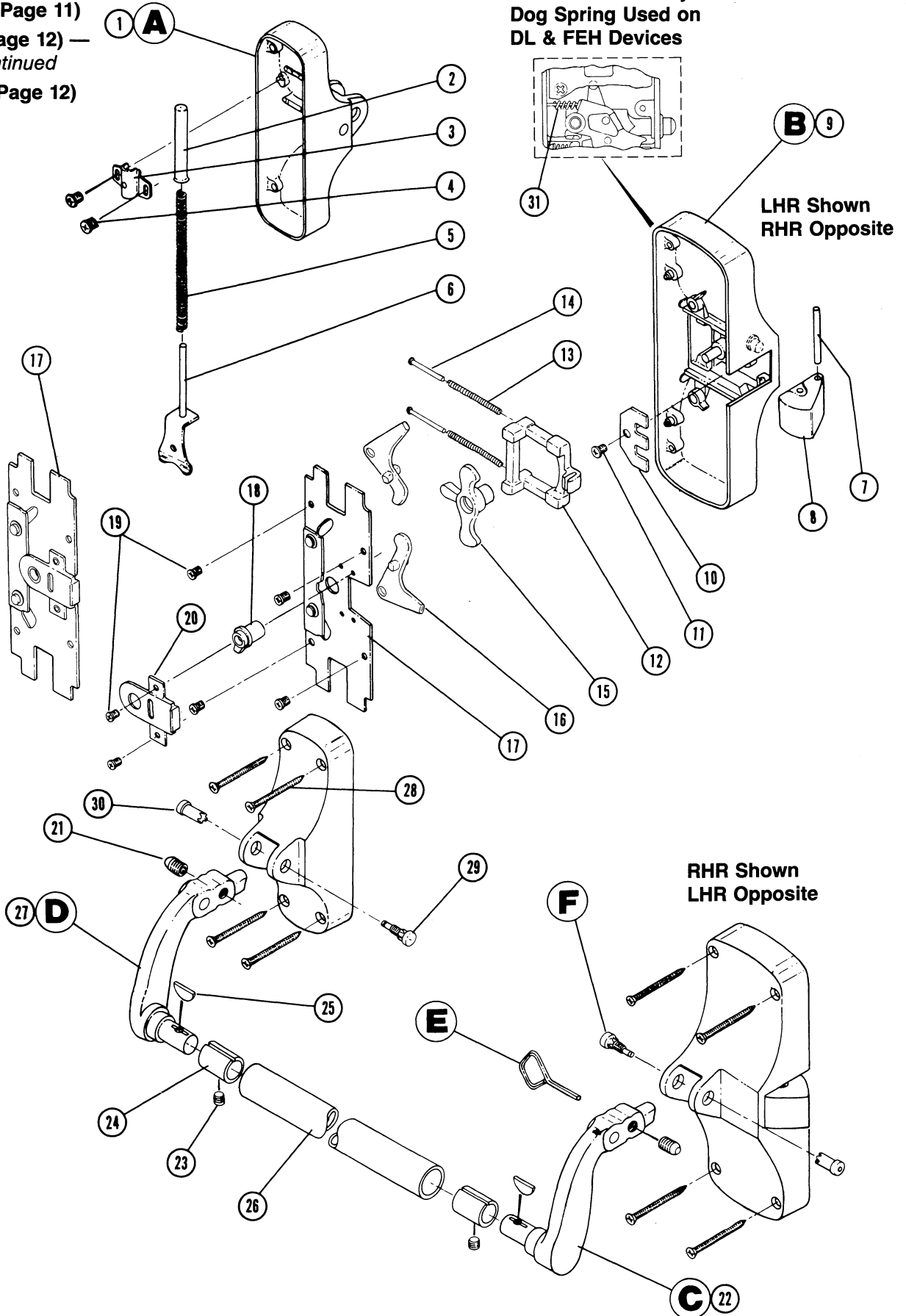
88 Rim (Page 11)

DL88 (Page 12) —

Discontinued

88FEH (Page 12)

Location of Gravity
Dog Spring Used on
DL & FEH Devices



Parts List-88 Rim Device-TP
Reference Illustration-Page 10

Item	Qty.	Part No.	Description	
A	1	101713	End Case Assy.-Brz.	X
A	1	101714	End Case Assy.-Alum.	X
A	1	101715	End Case Assy.-St. Stl.	X
B	1	101665	Center Case Assy.-Brz.	X
B	1	101666	Center Case Assy.-Alum.	X
B	1	101667	Center Case Assy.-St. Stl.	X
C	1	100744	Lever Arm Assy.-RH	X
C	1	100747	Lever Arm Assy.-RH	X
C	1	101486	Lever Arm Assy.-RH	X
D	1	100729	Lever Arm Assy.-LH	X
D	1	100746	Lever Arm Assy.-LH	X
D	1	101487	Lever Arm Assy.-LH	X
E	1	103868	Wedge Tite Key	
F	1	103865	Lever Arm Axle Pack	
1	1	960517	End Case-Brz.	X
1	1	960518	End Case-Alum.	X
1	1	960519	End Case-St. Stl.	X
2	1	951081	Spring Tube	
3	1	951910	Spring Tube Bracket	
4	2	963094	#8-32 x 5/16" PPHMS-Thd. Form.	
5	1	953630	Spring	
6	1	107682	Spring Stop Sub-Assy.	
7	1	945501	Latch Bolt Axle	
8	1	100751	Latch Bolt Sub-Assy.	X
9	1	101653	Center Case Sub-Assy.-Brz.	X
9	1	101654	Center Case Sub-Assy.-Alum.	X
9	1	101655	Center Case Sub-Assy.-St. Stl.	X
10	1	960675	Latch Retainer Plate	
11	1	963098	#10-24 x 5/16" PPHMS-Thd. Form.	
12	1	952280	Latch Tail	
13	2	966762	Latch Tail Spring	
14	2	963099	1/8" x 1 1/4" Lg. Rd. Hd. Rivet	
15	1	951960	Master Cam	
16	2	952070	Thumb Piece Lift	

Item	Qty.	Part No.	Description	
17	1	103883	Back Plate Assy.	
18	1	968503	TP Cylinder Cam	
19	6	963094	#8-32 x 5/16" Lg. PPHMS-Thd. Form.	
20	1	960856	Auxiliary Back Plate-Brz.	X
20	1	960857	Auxiliary Back Plate-Alum.	X
21	2	968485	Dog Screw	X
22	1	101444	Lever Arm & Adaptor Assy.-RH-Brz.	
22	1	101446	Lever Arm & Adaptor Assy.-RH-Alum.	X
22	1	101479	Lever Arm & Adaptor Assy.-RH-St. Stl.	X
23	2	963851	Wedge Tite Adaptor Screw (5/16"-18 x 5/8" Set Scr.)	
24	2	965676	Tube Attaching Ring	
25	2	956520	Attaching Ring Wedge	
26	1	060275	Cross Bar Tube-Std.-27 1/2" Lg.	
26	1	061275	Cross Bar Tube-Knurled-Std.-27 1/2" Lg.	
26	1	060295	Cross Bar Tube-Std.-29 1/2" Lg.	
26	1	061295	Cross Bar Tube-Knurled-29 1/2" Lg.	
26	1	060360	Cross Bar Tube-Std.-36" Lg.	
26	1	061360	Cross Bar Tube-Knurled-36" Lg.	
26	1	060420	Cross Bar Tube-Std.-42" Lg.	
26	1	061420	Cross Bar Tube-Knurled-42" Lg.	
26	1	060500	Cross Bar Tube-Custom- (Longer than 42")	
26	1	061500	Cross Bar Tube-Custom-Knurled- (Longer than 42")	
27	1	101445	Lever Arm & Adaptor Assy.-LH-Brz.	X
27	1	101447	Lever Arm & Adaptor Assy.-LH-Alum.	X
27	1	101480	Lever Arm & Adaptor Assy.-LH-St. Stl.	X
28*	8	965291	#10-12 x 10-24 x 2 OPHCS-Brz.	
28*	8	965292	#10-12 x 10-24 x 2 OPHCS-St. Stl.	
29**	2	969572	88 Axle-Male	
30**	2	969573	88 Axle-Female	
*	1	900500	Mounting Screw Package	X
**	1	103865	Lever Arm Axle Package	

X designates items that are finished.

Note: For ordering parts provide the part number, description, total quantity and finish required.

Parts List–DL88 Rim Device–TP
Reference Illustration–Page 10

Item	Qty.	Part No.	Description	
A	1	106177	End Case Assy.–Brz.	X
A	1	106178	End Case Assy.–Alum.	X
A	1	106179	End Case Assy.–St. Stl.	X
B*	1	103278	Center Case Assy.–RH–Brz.	X
B*	1	103279	Center Case Assy.–RH–Alum.	X
B*	1	103280	Center Case Assy.–RH–St. Stl.	X
B*	1	103281	Center Case Assy.–LH–Brz.	X
B*	1	103282	Center Case Assy.–LH–Alum.	X
B*	1	103283	Center Case Assy.–LH–St. Stl.	X
C*	1	106110	Lever Arm Assy.–RH–Brz.	X
C*	1	106111	Lever Arm Assy.–RH–Alum.	X
C*	1	106112	Lever Arm Assy.–RH–St. Stl.	X
D*	1	106113	Lever Arm Assy.–LH–Brz.	X
D*	1	106114	Lever Arm Assy.–LH–Alum.	X
D*	1	106115	Lever Arm Assy.–LH–St. Stl.	X
E	1	103868	Wedge Tite Key	
F	1	108467	Lever Arm Axle Package	
6	1	106180	Spring Guide Stop Assy.	
8	1	101590	Latch Bolt Sub-Assy.	X
17	1	102557	Back Plate Assy.–Brz.	
31	1	965322	Gravity Dog Spring	
*			Item B, Ctr. Cs. Assy. and Item C, or D, Lever Arm Assy. must be ordered together. They cannot be sold as separate items.	
**		900500	Mounting Screw Package	X
***		108467	Lever Arm Axle Package	

X designates items that are finished.

Note: For ordering parts provide the part number, description, total quantity and finish required. See page 11 for items 1 thru 5, 7, 10, 11, 13, 14, 16, 19, 21, 23 thru 26, 28, 29 & 30.

Parts List–88 Rim FEH Device–TP
Reference Illustration–Page 10

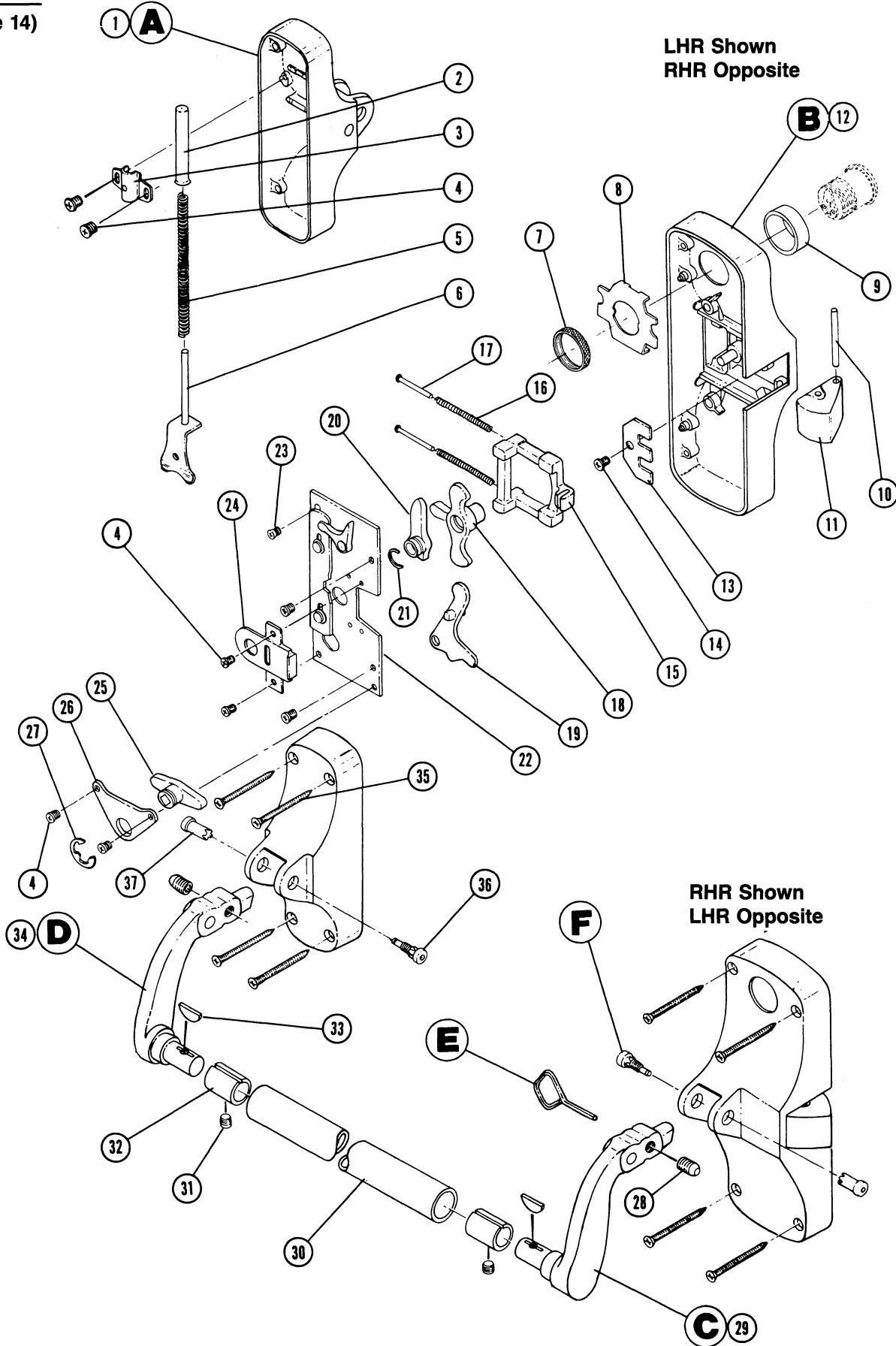
Item	Qty.	Part No.	Description	
A	1	106174	End Case Assy.–Brz.	X
A	1	106175	End Case Assy.–Alum.	X
A	1	106176	End Case Assy.–St. Stl.	X
B*	1	101598	Center Case Assy.–RH	X
B*	1	101599	Center Case Assy.–LH	X
C*	1	106118	Lever Arm Assy.–RH–Brz.	X
C*	1	106119	Lever Arm Assy.–RH–Alum.	X
C*	1	106125	Lever Arm Assy.–RH–St. Stl.	X
D*	1	106122	Lever Arm Assy.–LH–Brz.	X
D*	1	106123	Lever Arm Assy.–LH–Alum.	X
D*	1	106127	Lever Arm Assy.–LH–St. Stl.	X
E	1	103868	Wedge Tite Key	
F	1	108467	Lever Arm Axle Package	
1	1	960912	End Case–Brz.	X
1	1	960913	End Case–Alum.	X
1	1	960914	End Case–St. Stl.	X
6	1	106180	Spring Stop Assy.	
8	1	101590	Latch Bolt Sub-Assy.	X
17	1	102557	Back Plate Assy.	X
28	8	963002	#10-24 x 1½" OPHMS	X
31	1	965322	Gravity Dog Spring	
*			Item B, Ctr. Cs. Assy. and Item C, or D, Lever Arm Assy. must be ordered together. They cannot be sold as separate items.	
**	1	900557	Mounting Screw Package	X
***	1	108467	Lever Arm Axle Package	

X designates items that are finished.

Note: For ordering parts provide the part number, description, total quantity and finish required. See page 11 for items 2 thru 5, 7, 10, 11, 13, 14, 16, 19, 23 thru 26, 29 & 30.

88 Rim Devices (K2) — Discontinued

Parts List
(Page 14)



Parts List–88 Rim Device–K2

Reference Illustration–Page 13

Item	Qty.	Part No.	Description	
A	1	101713	End Case Assy.–Brz.	X
A	1	101714	End Case Assy.–Alum.	X
A	1	101715	End Case Assy.–St. Stl.	X
B	1	104180	Center Case Assy.–RH–Brz.	X
B	1	104181	Center Case Assy.–RH–Alum.	X
B	1	104182	Center Case Assy.–RH–St. Stl.	X
B	1	104183	Center Case Assy.–LH–Brz.	X
B	1	104184	Center Case Assy.–LH–Alum.	X
B	1	104185	Center Case Assy.–LH–St. Stl.	X
C	1	100744	Lever Arm Assy.–RH–Brz.	X
C	1	100747	Lever Arm Assy.–RH–Alum.	X
C	1	101486	Lever Arm Assy.–RH–St. Stl.	X
D	1	100729	Lever Arm Assy.–LH–Brz.	X
D	1	100746	Lever Arm Assy.–LH–Alum.	X
D	1	101487	Lever Arm Assy.–LH–St. Stl.	X
E	1	103868	Wedge Tite Key	
F	1	103865	Lever Arm Axle Pack	
1	1	960517	End Case–Brz.	X
1	1	960518	End Case–Alum.	X
1	1	960519	End Case–St. Stl.	X
2	1	951081	Spring Tube	
3	1	951910	Spring Tube Bracket	
4	8	963094	#8-32 × 5/16" PPHMS–Thd. Form.	
5	1	953630	Spring	
6	1	107682	Spring Stop Sub-Assy.	
7	1	959010	Double Cylinder Lock Nut	
8	1	966198	Cylinder Locator	
9	1	952220	Cylinder Spacer	
10	1	945501	Latch Bolt Axle	
11	1	100751	Latch Bolt Sub-Assy.	X
12	1	101659	Center Case Sub-Assy.–LH–Brz.	X
12	1	101660	Center Case Sub-Assy.–LH–Alum.	X
12	1	101661	Center Case Sub-Assy.–LH–St. Stl.	X
12	1	101656	Center Case Sub-Assy.–RH–Brz.	X
12	1	101657	Center Case Sub-Assy.–RH–Alum.	X
12	1	101658	Center Case Sub-Assy.–RH–St. Stl.	X
13	1	960675	Latch Retainer Plate	
14	1	963098	#10-24 × 5/16" Lg. PPHMS–Thd. Form.	
15	1	952280	Latch Tail	
16	2	966762	Latch Tail Spring	
17	2	963099	1/8" × 1 1/4" Rd. Hd. Rivet	

Item	Qty.	Part No.	Description	
18	1	951960	Master Cam	
19	1	965420	Knob Cam Lift	
20	1	965512	Cylinder Cam Casting LH	
20	1	965511	Cylinder Cam Casting RH	
21	1	963683	Retaining Ring–Truarc #5103-56	
22	1	104179	Back Plate Assy.–LH–Brz.	X
22	1	104178	Back Plate Assy.–RH–Brz.	X
23	1	963096	#8-32 × 3/8" FPHMS–Thd. Form.	
24*	1	965503	Auxiliary Back Plate–Brz.	X
25	1	951950	Knob Cam	
26	1	965418	Knob Cam Bracket	
27	1	963103	Snap Ring–Truarc #5133-62	
28	1	968485	Dog Screw	
29	1	101444	Lever Arm & Adaptor Assy.–RH–Brz.	X
29	1	101446	Lever Arm & Adaptor Assy.–RH–Alum.	X
29	1	101479	Lever Arm & Adaptor Assy.–RH–St. Stl.	X
30	1	060275	Cross Bar Tube–Std.–27 1/2" Lg.	
30	1	061275	Cross Bar Tube–Knurled–Std.–27 1/2" Lg.	
30	1	060295	Cross Bar Tube–Std.–29 1/2" Lg.	
30	1	061295	Cross Bar Tube–Knurled–29 1/2" Lg.	
30	1	060360	Cross Bar Tube–Std.–36" Lg.	
30	1	061360	Cross Bar Tube–Knurled–36" Lg.	
30	1	060420	Cross Bar Tube–Std.–42" Lg.	
30	1	061420	Cross Bar Tube–Knurled–42" Lg.	
30	1	060500	Cross Bar Tube–Custom–(Longer than 42")	
30	1	061500	Cross Bar Tube–Knurled–(Longer than 42")	
31	2	963851	Wedge Tite Adaptor Screw (5/16"-18 × 5/8" Set Scr.)	
32	2	965676	Tube Attaching Ring	
33	2	956520	Attaching Ring Wedge	
34	1	101445	Lever Arm & Adaptor Assy.–LH–Brz.	X
34	1	101447	Lever Arm & Adaptor Assy.–LH–Alum.	X
34	1	101480	Lever Arm & Adaptor Assy.–LH–St. Stl.	X
35**	8	965291	#10-12 × 10-24 × 2 OPHCS–Brz.	
35**	8	965292	#10-12 × 10-24 × 2 OPHCS–St. Stl.	
36***	2	969572	88 Axle–Male	
37***	2	969573	88 Axle–Female	
*			Items #23 and #4 are included in Back Plate Assy. Item #22.	
**	1	900500	Mounting Screw Package	X
***	1	103865	Lever Arm Axle Package	

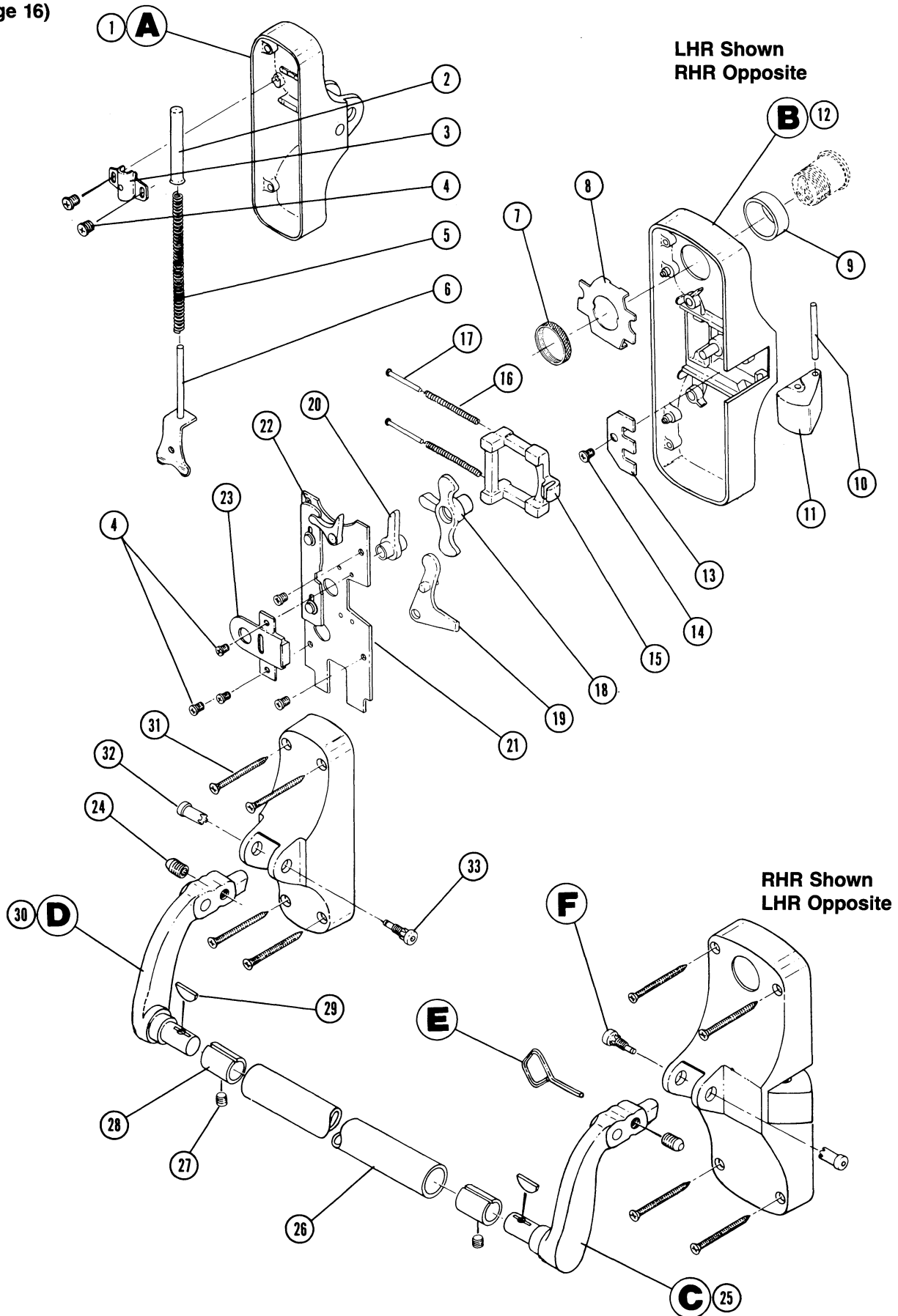
X designates items that are finished.

Note: For ordering parts provide the part number, description, total quantity and finish required.

88 Rim Devices (TP2) — Discontinued

Parts List

(Page 16)



Parts List-88 Rim Device-TP2

Reference Illustration-Page 15

Item	Qty.	Part No.	Description	
A	1	101713	End Case Assy.-Brz.	X
A	1	101714	End Case Assy.-Alum.	X
A	1	101715	End Case Assy.-St. Stl.	X
B	1	101677	Center Case Assy.-LH-Brz.	X
B	1	101678	Center Case Assy.-LH-Alum.	X
B	1	101679	Center Case Assy.-LH-St. Stl.	X
B	1	101674	Center Case Assy.-RH-Brz.	X
B	1	101675	Center Case Assy.-RH-Alum.	X
B	1	101676	Center Case Assy.-RH-St. Stl.	X
C	1	100744	Lever Arm Assy.-RH-Brz.	X
C	1	100747	Lever Arm Assy.-RH-Alum.	X
C	1	101486	Lever Arm Assy.-RH-St. Stl.	X
D	1	100729	Lever Arm Assy.-LH-Brz.	X
D	1	100746	Lever Arm Assy.-LH-Alum.	X
D	1	101487	Lever Arm Assy.-LH-St. Stl.	X
E	1	103868	Wedge Tite Key	
F	1	103865	Lever Arm Axle Package	
1	1	960517	End Case-Brz.	X
1	1	960518	End Case-Alum.	X
1	1	960519	End Case-St. Stl.	X
2	1	951081	Spring Tube	
3	1	951910	Spring Tube Bracket	
4	7	963094	#8-32 x 5/16" PPHMS-Thd. Form.	
5	1	953630	Spring	
6	1	107682	Spring Stop Sub-Assy.	
7	1	959010	Cylinder Locknut	
8	1	966198	Cylinder Locator	
9	1	952220	Cylinder Spacer	
10	1	945501	Latch Bolt Axle	
11	1	100751	Latch Bolt Sub-Assy.	X
12	1	101659	Center Case Sub-Assy.-LH-Brz.	X
12	1	101660	Center Case Sub-Assy.-LH-Alum.	X
12	1	101661	Center Case Sub-Assy.-LH-St. Stl.	X
12	1	101656	Center Case Sub-Assy.-RH-Brz.	X
12	1	101657	Center Case Sub-Assy.-RH-Alum.	X
12	1	101658	Center Case Sub-Assy.-RH-St. Stl.	X
13	1	960675	Latch Retainer Plate	
14	1	963098	#10-24 x 5/16" Lg. PPHMS-Thd. Form.	
15	1	952280	Latch Tail	
16	2	966762	Latch Tail Spring	

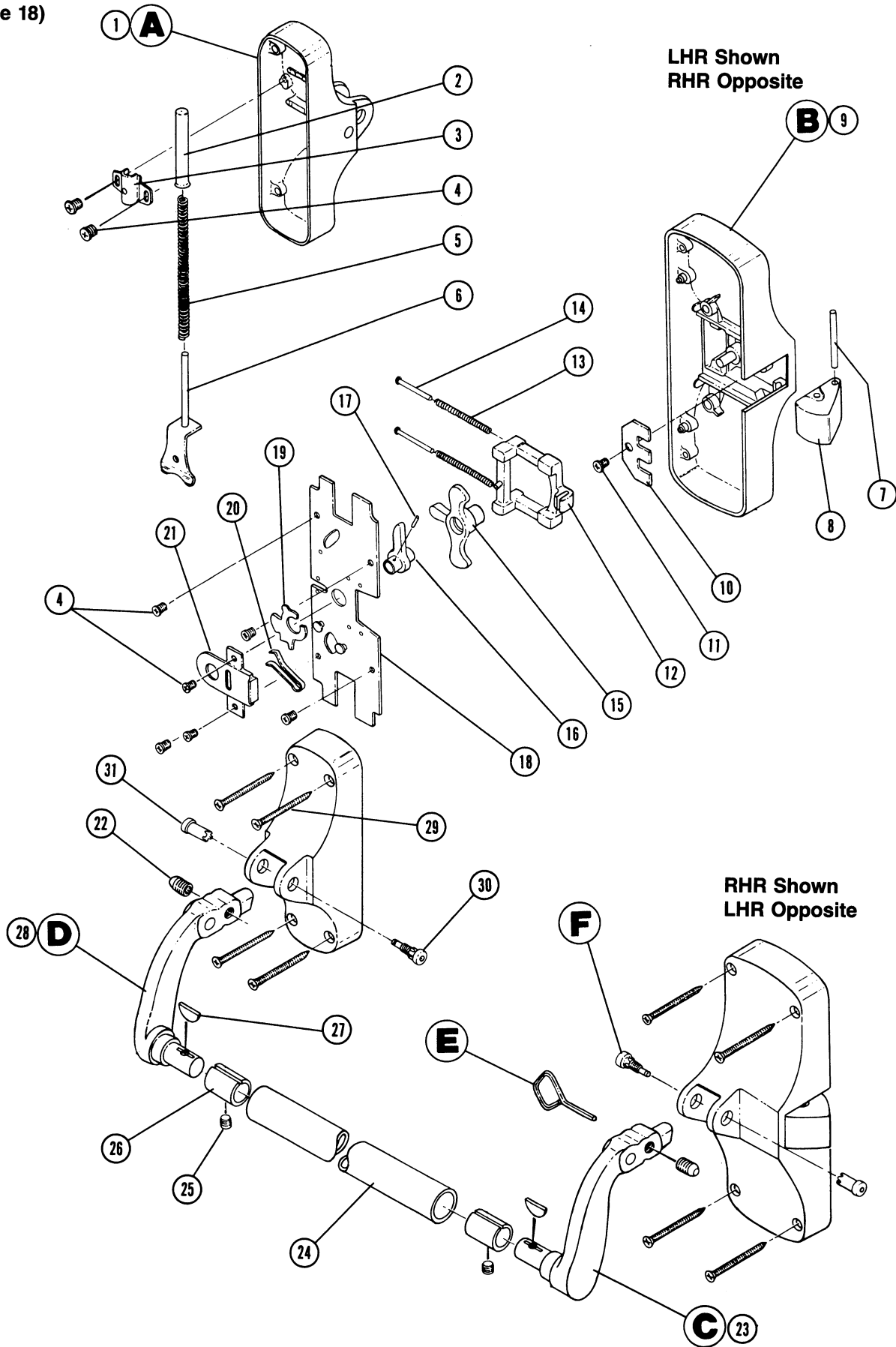
Item	Qty.	Part No.	Description	
17	2	963099	1/8" x 1 1/4" Lg. Rd. Hd. Rivet	
18	1	951960	Master Cam	
19	1	952070	Thumbpiece Lift	
20	1	951980	NL Cylinder Cam LH	
20	1	951981	NL Cylinder Cam RH	
21	1	100859	Back Plate Assy.-LH-Brz. & St. Stl.	X
21	1	101017	Back Plate Assy.-LH-Alum.	X
21	1	100369	Back Plate Assy.-RH-Brz. & St. Stl.	X
21	1	101020	Back Plate Assy.-RH-Alum. & St. Stl.	X
22*	1	963096	#8-32 x 3/8" FPHMS-Thd. Form.	
23*	1	960856	Auxiliary Back Plate-Brz. & St. Stl.	X
23*	1	960857	Auxiliary Back Plate-Alum.	X
24	1	968485	Dog Screw	
25	1	101444	Lever Arm & Adaptor Assy.-RH-Brz.	X
25	1	101446	Lever Arm & Adaptor Assy.-RH-Alum.	X
25	1	101479	Lever Arm & Adaptor Assy.-RH-St. Stl.	X
26	1	060275	Cross Bar Tube-Std.-27 1/2" Lg.	
26	1	061275	Cross Bar Tube-Knurled-Std.-27 1/2" Lg.	
26	1	060295	Cross Bar Tube-Std.-29 1/2" Lg.	
26	1	061295	Cross Bar Tube-Knurled-29 1/2" Lg.	
26	1	060360	Cross Bar Tube-Std.-36" Lg.	
26	1	061360	Cross Bar Tube-Knurled-36" Lg.	
26	1	060420	Cross Bar Tube-Std.-42" Lg.	
26	1	061420	Cross Bar Tube-Knurled-42" Lg.	
26	1	060500	Cross Bar Tube-Custom-(Longer than 42")	
26	1	061500	Cross Bar Tube-Custom-Knurled-(Longer than 42")	
27	1	963851	Wedge Tite Adaptor Screw (5/16"-18 x 5/8" Set Scr.)	
28	1	965676	Tube Attaching Ring	
29	1	956520	Attaching Ring Wedge	
30	1	101445	Lever Arm & Adaptor Assy.-LH-Brz.	X
30	1	101447	Lever Arm & Adaptor Assy.-LH-Alum.	X
30	1	101480	Lever Arm & Adaptor Assy.-LH-St. Stl.	X
31**	8	965291	#10-12 x 10-24 x 2 OPHCS-Brz.	
31**	8	965292	#10-12 x 10-24 x 2 OPHCS-St. Stl.	
32***	2	969572	88 Axle-Male	
33***	2	969573	88 Axle-Female	
*			Items #23 and #4 are included in Back Plate Assy. Item #21.	
**	1	900500	Mounting Screw Package	
***	1	103865	Lever Arm Axle Package	

X designates items that are finished.

Note: For ordering parts provide the part number, description, total quantity and finish required.

88 Rim Devices (NL-HB) — Discontinued

Parts List
(Page 18)



Parts List-88 Rim Device-NL-HB
Reference Illustration-Page 17

Item	Qty.	Part No.	Description	
A	1	101713	End Case Assy.-Brz.	X
A	1	101714	End Case Assy.-Alum.	X
A	1	101715	End Case Assy.-St. Stl.	X
B	1	101671	Center Case Assy.-Brz.	X
B	1	101672	Center Case Assy.-Alum.	X
B	1	101673	Center Case Assy.-St. Stl.	X
C	1	100744	Lever Arm Assy.-RH-Brz.	X
C	1	100747	Lever Arm Assy.-RH-Alum.	X
C	1	101486	Lever Arm Assy.-RH-St. Stl.	X
D	1	100729	Lever Arm Assy.-LH-Brz.	X
D	1	100746	Lever Arm Assy.-LH-Alum.	X
D	1	101487	Lever Arm Assy.-LH-St. Stl.	X
E	1	103868	Wedge Tite Key	
F	1	103865	Lever Arm Axle Package	
1	1	960517	End Case-Brz.	X
1	1	960518	End Case-Alum.	X
1	1	960519	End Case-St. Stl.	X
2	1	951081	Spring Tube	
3	1	951910	Spring Tube Bracket	
4	8	963094	#8-32 x 5/16" PPHMS-Thd. Form.	
5	1	953630	Spring	
6	1	107682	Spring Stop Sub-Assy.	
7	1	945501	Latch Bolt Axle	
8	1	100751	Latch Bolt Sub-Assy.	X
9	1	101653	Center Case Sub-Assy.-Brz.	X
9	1	101654	Center Case Sub-Assy.-Alum.	X
9	1	101655	Center Case Sub-Assy.-St. Stl.	X
10	1	960675	Latch Retainer Plate	
11	1	963098	#10-24 x 5/16" PPHMS-Thd. Form.	
12	1	102553	Latch Tail Sub-Assy.	
13	2	966762	Latch Tail Spring	
14	2	963099	1/8" x 1 1/4" Rd. Hd. Rivet	
15	1	951960	Master Cam	
16	1	951940	Hold Back Cylinder Cam	
17	1	963628	3/32" x 3/8" Roll Pin	

Item	Qty.	Part No.	Description	
18	1	956861	Back Plate-Brz.	
19	1	951930	Hold Back Cam	
20	1	952250	Hold Back Spring	
21	1	960856	Auxiliary Back Plate-Brz.	X
21	1	960857	Auxiliary Back Plate-Alum.	X
22	1	968485	Dog Screw	
23	1	101444	Lever Arm & Adaptor Assy.-RH-Brz.	X
23	1	101446	Lever Arm & Adaptor Assy.-RH-Alum.	X
23	1	101479	Lever Arm & Adaptor Assy.-RH-St. Stl.	X
24	1	060275	Cross Bar Tube-Std.-27 1/2" Lg.	X
24	1	061275	Cross Bar Tube-Knurled-Std.-27 1/2" Lg.	X
24	1	060295	Cross Bar Tube-Std.-29 1/2" Lg.	X
24	1	061295	Cross Bar Tube-Knurled-29 1/2" Lg.	X
24	1	060360	Cross Bar Tube-Std.-36" Lg.	X
24	1	061360	Cross Bar Tube-Knurled-36" Lg.	X
24	1	060420	Cross Bar Tube-Std.-42" Lg.	X
24	1	061420	Cross Bar Tube-Knurled-42" Lg.	X
24	1	060500	Cross Bar Tube-Custom-(Longer than 42")	X
24	1	061500	Cross Bar Tube-Custom-Knurled-(Longer than 42")	X
25	1	963851	Wedge Tite Adaptor Screw (5/16"-18 x 5/8" Set Scr.)	
26	1	965676	Tube Attaching Ring	
27	1	956520	Attaching Ring Wedge	
28	1	101445	Lever Arm & Adaptor Assy.-LH-Brz.	X
28	1	101447	Lever Arm & Adaptor Assy.-LH-Alum.	X
28	1	101480	Lever Arm & Adaptor Assy.-LH-St. Stl.	X
29*	8	965291	#10-12 x 10-24 x 1 1/4" x 2 OPHCS-Brz.	X
29*	8	965292	#10-12 x 10-24 x 1 1/4" x 2 OPHCS-St. Stl.	X
30**	2	969572	88 Axle-Male	
31**	2	969573	88 Axle-Female	
*	1	900500	Mounting Screw Package	X
**	1	103865	Lever Arm Axle Package	

X designates items that are finished.

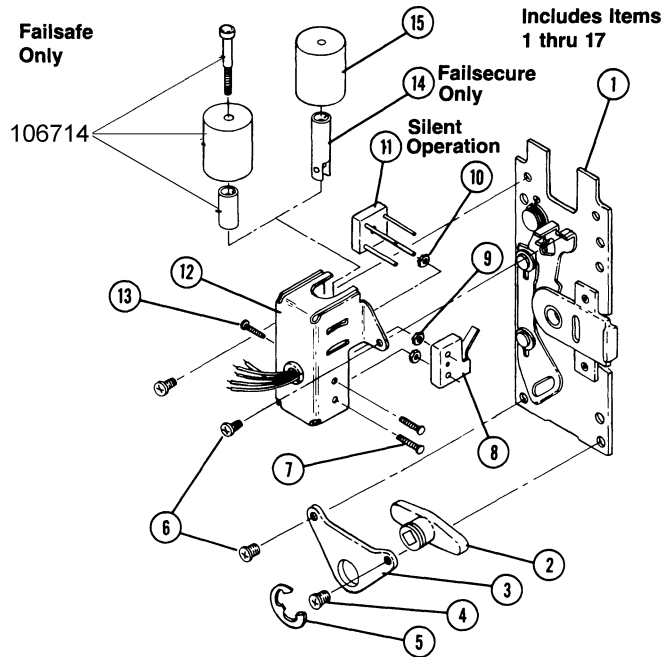
Note: For ordering parts provide the part number, description, total quantity and finish required.

E-88 Rim Devices (K) Backplate Assemblies

Parts List–Back Plate Assys. E-88K, E-88K-FEH

Item	Qty.	Part No.	Description	
1	1	106706	Back Plate & Sole. Assy.–FS E –RH	X
1	1	106707	Back Plate & Sole. Assy.–F.S.E.–LH	X
1	1	106715	Back Plate & Sole Assy.–F.S.–RH	X
1	1	106716	Back Plate & Sole Assy.–F.S.–LH	X
1	1	107908	Back Plate & Sole. Assy.–F.S.E.–S O –RH	X
1	1	107910	Back Plate & Sole Assy.–FS E –S O.–LH	X
1	1	107912	Back Plate & Sole. Assy.–F.S.–S.O –RH	X
1	1	107914	Back Plate & Solè Assy.–FS –S.O –LH	X
2	1	951950	Knob Cam	
3	1	965418	Knob Cam Bracket	
4	1	963712	#8-32 × 3/4" Lg PPHMS–Thd. Form	
5	1	963103	Snap Ring–Truarc #5133-62	
6	6	963094	#8-32 × 3/16" Lg PPHMS–Thd Form	
7	2	963798	#2–56 × 1/2" Lg PPHMS	
8	1	106701	Switch Assembly	
9	2	963799	#2–56 Hex Nut	
10	1	963740	#6–32 Hex Nut	
11	1	990153	Bridge Rectifier	
12	1	968161	Solenoid Housing–RH	
12	1	968162	Solenoid Housing–LH	
13	1	963691	#6–32 × 3/8" PPHMS	
14	1	106700	Plunger Assy.	

Fail Secured (F.S.E.): Trim locks when power is off.
 Fail Safe (F.S.): Trim unlocks when power is off.
 Conversion between F.S. & F.S.E. requires complete backplate Assy.



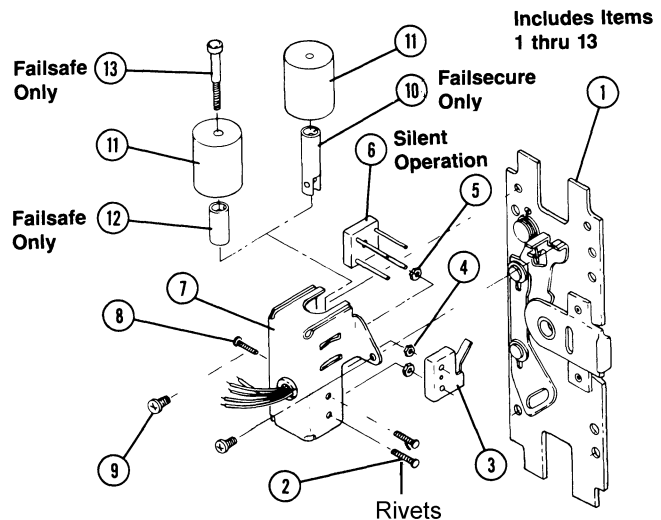
X designates items that are finished.
 Note: For ordering parts provide the part number, description, total quantity and finish required.

E-88 Rim Devices (TP) Backplate Assemblies

Parts List–Back Plate Assys. E-88TP, E-88TP-FEH

Item	Qty.	Part No.	Description	
1	1	106723	Back Plate & Sole Assy.–F.S.E.–RH	X
1	1	106724	Back Plate & Sole. Assy.–FS E.–LH	X
1	1	106731	Back Plate & Sole. Assy.–F.S.–RH	X
1	1	106732	Back Plate & Sole Assy.–F.S.–LH	X
1	1	107907	Back Plate & Sole. Assy.–F.S.E.–S O.–RH	X
1	1	107909	Back Plate & Sole Assy.–F.S.E.–S.O.–LH	X
1	1	107911	Back Plate & Sole. Assy.–F.S.–RH	X
1	1	107913	Back Plate & Sole. Assy.–F.S.–LH	X
2	2	963859	#2–56 × 1/2" Lg. PPHMS	
3	1	106701	Switch Assy.	
4	2	963799	#2–56 Hex Nut	
5	1	963740	#6–32 Hex Nut	
6	1	990153	Bridge Rectifier	
7	1	967381	Solenoid Housing	
8	1	963691	#6–32 × 3/8" Lg. PPHMS	
9	4	963094	#8–32 × 3/16" Lg. PPHMA–Thd. Form.	
10	1	106700	Plunger Assy.	
11	1	967386	Solenoid	
12	1	967394	Plunger Body	
13	1	967392	Plunger Cap	

Fail Secured (F.S.E.): Trim locks when power is off.
 Fail Safe (F.S.): Trim unlocks when power is off.
 Conversion between F.S. & F.S.E. requires complete backplate Assy.

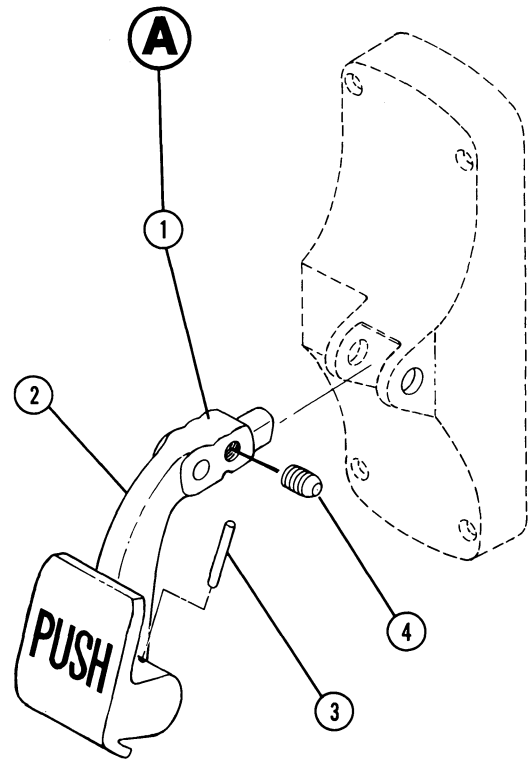


X designates items that are finished.
 Note: For ordering parts provide the part number, description, total quantity and finish required.

88 Rim Paddle Devices — *Discontinued*

Parts List—88 Rim Paddle Devices

Item	Qty.	Part No.	Description	
A	1	103901	88 L/Arm & Paddle Assy. RH—Brz.	X
A	1	103902	88 L/Arm & Paddle Assy. RH—Alum.	X
A	1	103903	88 L/Arm & Paddle Assy. RH—St. Stl.	X
A	1	103904	88 L/Arm & Paddle Assy. LH—Brz.	X
A	1	103905	88 L/Arm & Paddle Assy. LH—Alum.	X
A	1	103906	88 L/Arm & Paddle Assy. LH—St. Stl.	X
1	1	960408	Paddle Lever Arm RH—Brz.	X
1	1	960409	Paddle Lever Arm RH—Alum.	X
1	1	961006	Paddle Lever Arm RH—St. Stl.	X
1	1	960406	Paddle Lever Arm LH—Brz.	X
1	1	960407	Paddle Lever Arm LH—Alum.	X
1	1	961005	Paddle Lever Arm LH—St. Stl.	X
2	1	960186	Paddle RH—Brz.	X
2	1	960187	Paddle RH—Alum.	X
2	1	960188	Paddle RH—St. Stl.	X
2	1	960189	Paddle LH—Brz.	X
2	1	960190	Paddle LH—Alum.	X
2	1	960191	Paddle LH—St. Stl.	X
3	1	963577	$\frac{5}{32}'' \times 1\frac{1}{8}''$ Spirol Pin	



X designates items that are finished.

Note: For ordering parts provide the part number, description, total quantity and finish required.

88 Series Rim Panic and Fire Exit Hardware Device Product Maintenance

Although the 88 series Rim devices are designed for many years of service and maintenance requirements are minimal, proper care at regular intervals will help to extend the service life of the product for many more years. This is especially important in extremely heavy traffic areas or adverse weather conditions where frequent operational inspection, cleaning and lubrication of working components is recommended.

Periodic Inspection:

1. Check the device for smoothness of operation. Any binding or dragging may indicate worn parts or the need for lubrication.
2. Check the device for full extension of the Latch Bolt ($\frac{3}{4}''$) and full retraction during operation. Short extension may indicate binding, and insufficient retraction would indicate worn parts. The latch bolt should also retract fully when dogged.
3. Check the deadlocking function (DL & FEH devices) by depressing the latch bolt when engaged with the strike. If the latch bolt fully retracts, strike adjustments may be necessary.

Appearance Care (as necessary):

The 88 Rim device finishes are durable and should not require special attention for many years, although periodic cleaning may be recommended in high traffic areas or when devices are exposed to adverse climate conditions.

- A. Non-Lacquered finishes (Bronze)
The device should be wiped with a small amount of vegetable oil on a soft cloth.
- B. Lacquered Finishes (Bronze & Aluminum)
Wiping with a soft damp cloth is sufficient to clean these devices.
- C. Stainless Steel Finishes
These devices may be cleaned with a mild soap or non-abrasive cleaner.

Lubrication:

Devices are lubricated before delivery. Periodic lubrication can add years to product life by inhibiting excessive wear of working parts. For normal to heavy traffic areas a good quality commercial grease is sufficient for proper device operation. For devices exposed to adverse weather conditions or an abnormally high exposure to dust and dirt, a graphite or silicone-based lubricant can be used at more frequent intervals.