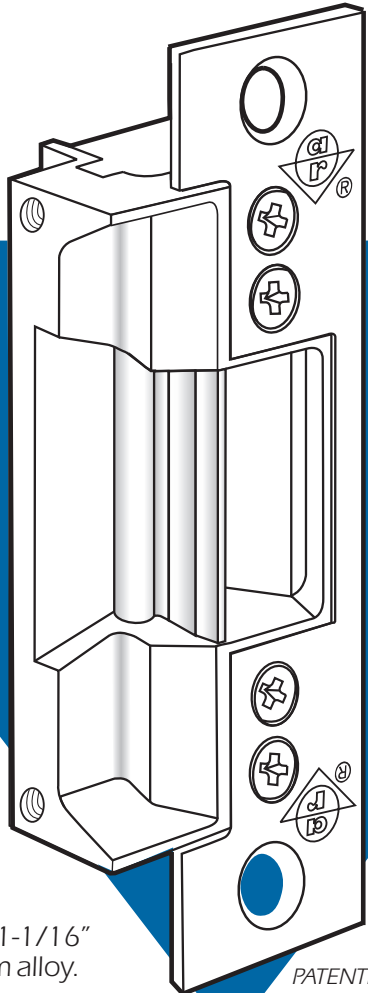


VOLTAGE	
12 or 24 volt DC	
CURRENT DRAW/AMPS	
Volts	DC Cont. or Intermittent
12	.33
24	.17

## 7340 Compact Strike

ANSI/BHMA Type EO9322 (Grade 2)



LATCH TYPE	
	Adams Rite or Cylindrical Latches with 1/2" to 5/8" Projection.
DOOR FRAME TYPE	
	Hollow Metal Jamb & Doors
	Wood Jamb & Doors

Applicable only with 1/16" or more gap between door and jamb.

**UL Listed for Burglary Resistance**

### Case

Approx. 1-1/8" x 3-3/8" x 1-1/16" deep. Made of zinc-aluminum alloy.

### Strike Lip

Basic strikes have lip of proper length for 1-3/4" thick door that closes flush with jamb edge. Where door thickness or jamb shape differs from this standard relationship, extended lip is available, specified by last dash number.

### Function

Remote electrical control of any door equipped with an Adams Rite Series 4500 or 4700 (or similar) deadlatch or cylindrical "key-in-knob" sets. Electrical actuation unlocks strike jaw, releasing latchbolt, so door can be opened without operating latch itself. Extremely compact mechanism fits into jamb sections as shallow as 1-1/16".

### Strike Opening

5/8" x 1-3/8" x 1/2" deep. Bolt retainer jaw is made of stainless steel.

### Faceplate

Measures 1-1/4" x 4-7/8". Faceplate is flat, with square corners. Available in our three most popular architectural finishes.

### Fail-Secure/Fail-Safe

Shipped standard in fail-secure mode. Field convertible from one mode to the other.

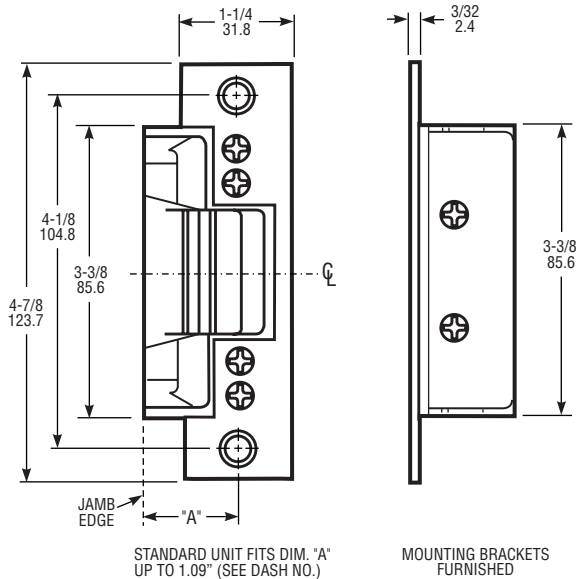
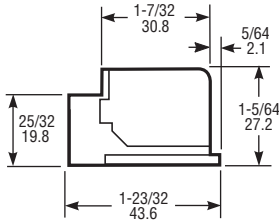


# 7340 Electric Strike

## DIMENSIONS

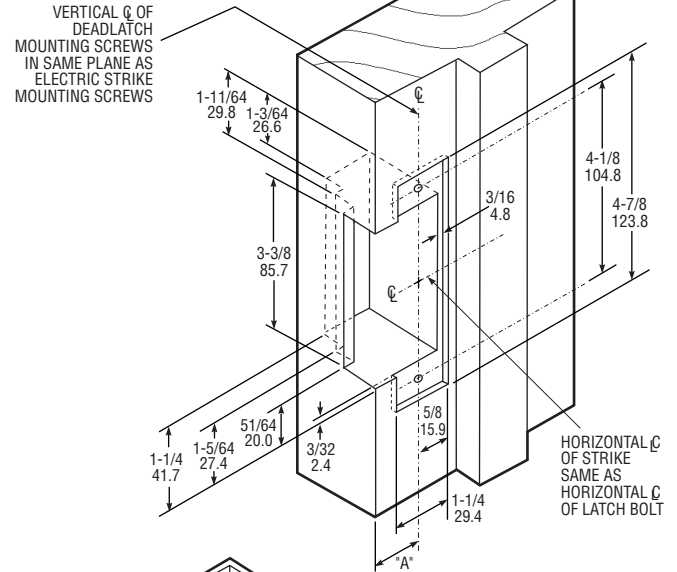
**INCHES  
MILLIMETERS**

Nominal, subject to tolerance extremes.

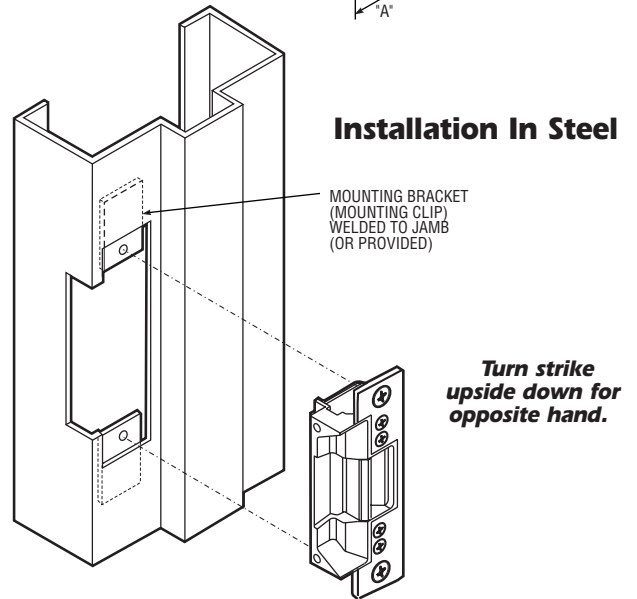


## INSTALLATION

### Jamb Prep In Wood



### Installation In Steel



## HOW TO ORDER

Specify quantity and the following information.

### Voltage

- 3** 12 Volt DC
- 5** 24 Volt DC

### Current & Duty

- 1** DC Continuous or Intermittent

### Features\*

- 0** Std/Fail-Secure

# 7340 - 310 - 628 - 00

### Finish

- 628** Clear Anodized
- 313** Dark Bronze Anod.
- 335** Black Anodized

### Lip Extension (Dim. "A")

(Door Centerline to Jamb Edge)

- 00** 1.07" or less
- 50** 1.38"
- 05** 2.00"
- 07** 2.25"

\*Fail-secure can be field converted to fail-safe.

## STANDARD PACKAGE

Individually boxed with mounting screws. Includes mounting brackets and adhesive shims for use where welded tabs are omitted.

## OPTIONS

Choice of voltage in DC. Available with extended strike lip (see chart). Assembled fail-secure as standard (locked when unpowered), but can be field-converted to fail-safe.