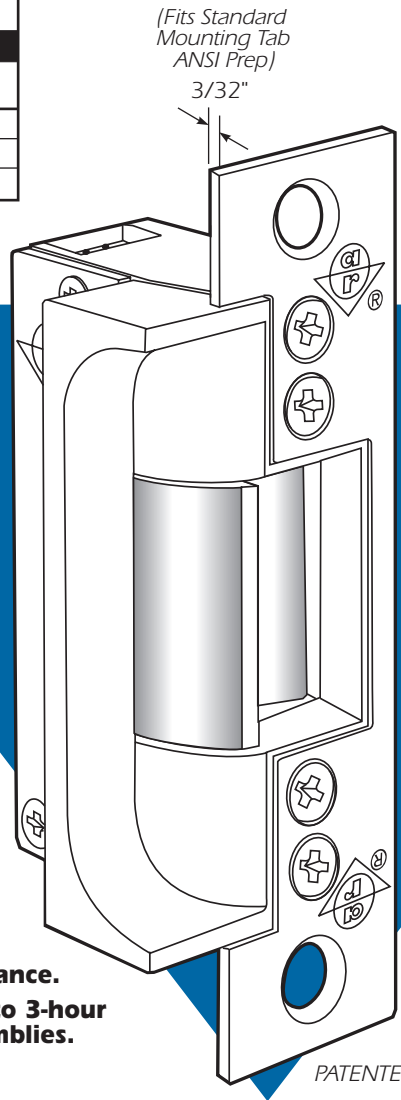


VOLTAGE		
Available in 12, 16 or 24 volt AC and DC. DC and AC Continuous units are silent, AC intermittent units "buzz" on operation.		
CURRENT DRAW/AMPS		
Volts	AC Int.	DC or AC Cont.
12	1.42	.33
16	1.03	.22
24	.74	.17



## 7270 Fire-Rated

ANSI/BHMA Type EO932 1  
 Fire-Rated in Fail-Secure Mode  
 For Hollow Metal Jambs

LATCH TYPE	
	Fire-Rated Mortise and Cylindrical Latches with 3/4" Projection without Deadbolt
<b>DOOR FRAME TYPE</b>	
Hollow Metal	

All 3/4" throw latches require 1/8" minimum door gap. Horizontal center line of strike must match center line of mortise latchbolt.

**UL Listed for Burglary Resistance.**  
**UL 10B for up to 3-hour Fire Door Assemblies.**

### ▼ Case

Approx. 1" x 3-3/8" x 1-7/8" deep. Made of Zinc-aluminum alloy.

### ▼ Function

Remote electrical control of any door equipped with a Mortise Type latchset. Electrical actuation unlocks strike jaw, releasing latchbolt so door can be opened without operating latch itself. Extremely compact mechanism fits hollow jamb sections as shallow as 1-7/8".

### ▼ Strike Opening

3/4" x 1-7/16" x 5/8" deep. Bolt retainer jaw and strike lip are made of stainless steel. Strike accepts bolt of a variety of latchsets (or mortise panic exit devices) when it is centered on strike.

### ▼ Strike Lip

Basic 7270 strikes have lip of proper length for 1-3/4" thick door that closes flush with jamb edge.

### ▼ Faceplate

Measures 1-1/4" x 4-7/8". Faceplate is flat, with square corners.

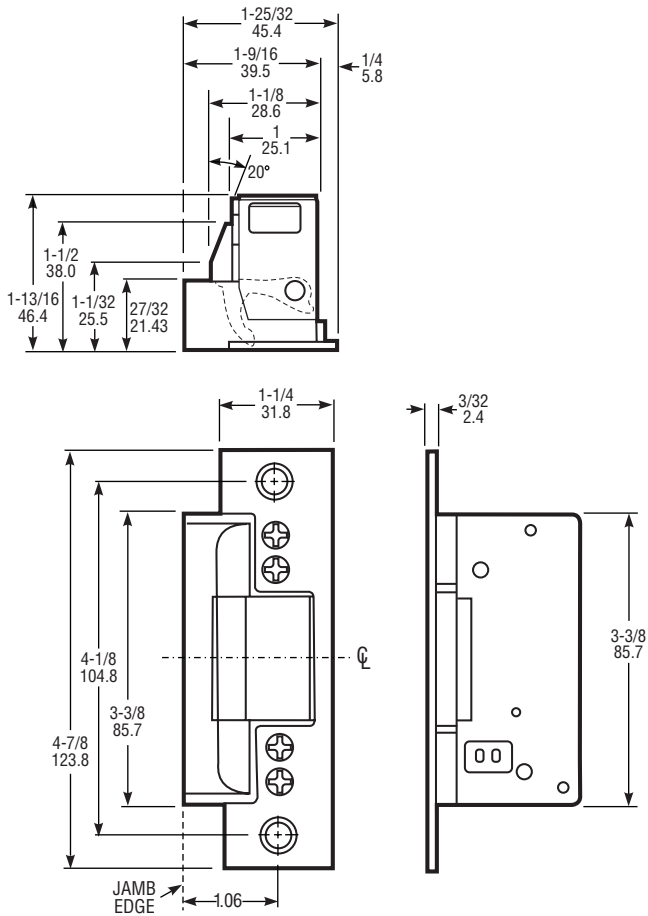


# 7270 Electric Strike

## DIMENSIONS

INCHES  
MILLIMETERS

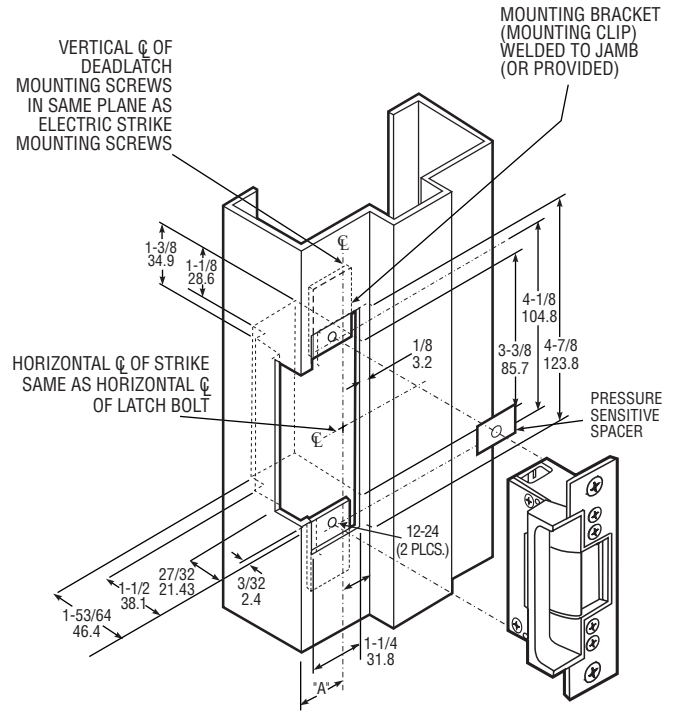
Nominal, subject to tolerance extremes.



STANDARD UNIT FITS DIM. "A"  
UP TO 1-1/16" (SEE DASH NO.)

MOUNTING BRACKETS  
FURNISHED

## INSTALLATION

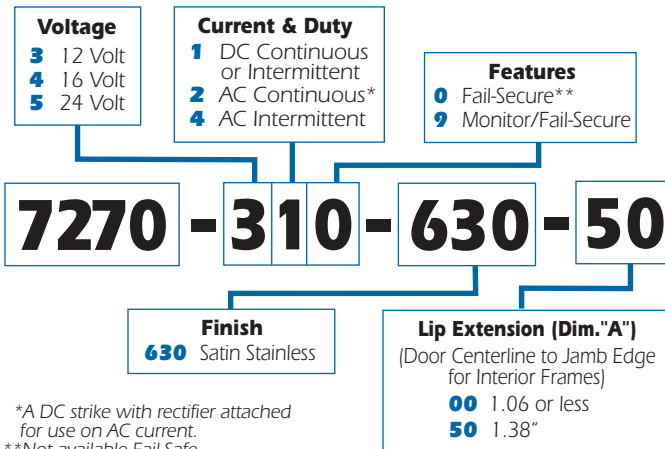


Installation In Steel Jamb

Turn strike  
upside down for  
opposite hand.

## HOW TO ORDER

Specify quantity and the following information.  
Order 4603 Rectifier and/or 4605 or 4606 Transformer separately.  
(4603 included with AC Cont.)



\*A DC strike with rectifier attached for use on AC current.  
\*\*Not available Fail-Safe.

## STANDARD PACKAGE

Individually boxed with mounting screws. Includes mounting brackets and adhesive shims for use where welded tabs are omitted.

## OPTIONS

Available with two monitoring signal switches which sense whether latch bolt is in strike and whether strike jaw is blocked. Choice of voltage in AC and DC for intermittent or continuous duty. Assembled for fail-secure (locked when unpowered) operation.

**4603 Rectifier** - Converts AC to DC, installs in low voltage line between transformer and strike. Rated 2 amps. (200 PIV).

**4605 Transformer** - Converts 120VAC to 24VAC. Rated 40 Volt-amp output assures plenty of power for strike release. Patented mounting bracket fits in knockout hole of standard junction boxes.

**4606 Transformer** - Plug-in version for standard wall outlet.  
See separate specification sheet for more information on Strike options.