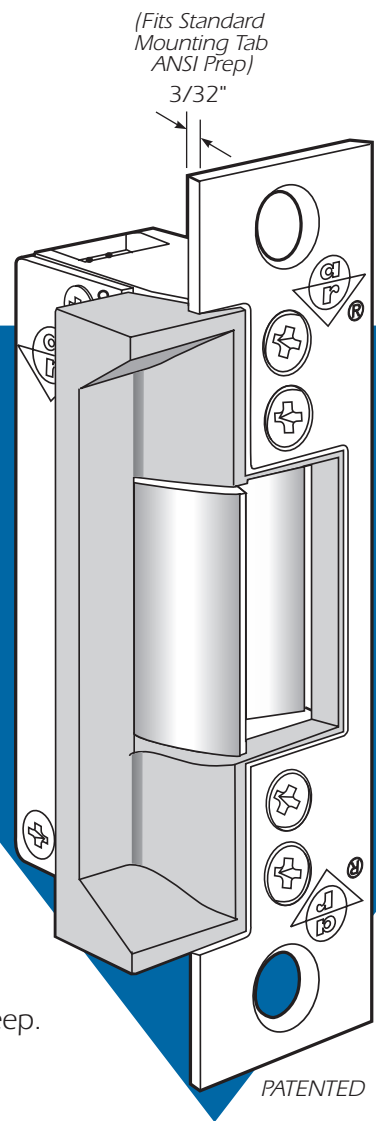


VOLTAGE		
Available in 12, 16 or 24 volt AC and DC. DC and AC Continuous units are silent, AC intermittent units "buzz" on operation.		
CURRENT DRAW/AMPS		
Volts	AC Int.	DC or AC Cont.
12	1.42	.33
16	1.03	.22
24	.74	.17



7140

ANSI/BHMA Type EO9321 (Grade 1)

LATCH TYPE	
	Adams Rite or Cylindrical Latches with 1/2" to 5/8" Projection.
DOOR FRAME TYPE	
	Hollow Metal Jamb & Doors
	Wood Jamb & Doors

UL Listed for Burglary Resistance

▼ **Case**
Approx. 1" x 3-3/8" x 1-5/8" deep.
Made of Zinc-aluminum alloy.

▼ **Strike Lip**
Basic 7140 strikes have lip of proper length for 1-3/4" thick door that closes flush with jamb edge. Where door thickness or jamb shape differs from this standard relationship, extended lip is available, specified by last dash number.

▼ **Function**
Remote electrical control of any door equipped with cylindrical (key-in-knob/lever) type latchsets listed above. Electrical actuation unlocks strike jaw, releasing latchbolt, so door can be opened without operating latch itself. Extremely compact mechanism fits into jamb sections as shallow as 1-5/8". Fits existing preps for 7840AN and 7850/7040.

▼ **Strike Opening**
5/8" x 1-7/16" x 1/2" deep. Bolt retainer jaw is made of stainless steel.

▼ **Faceplate**
Measures 1-1/4" x 4-7/8". Faceplate is flat, with square corners. Available in a wide range of architectural finishes.

▼ **Fail Safe/Fail Secure**
Field convertible from one mode to the other. However, AC intermittent solenoid must not be used continuously in either.

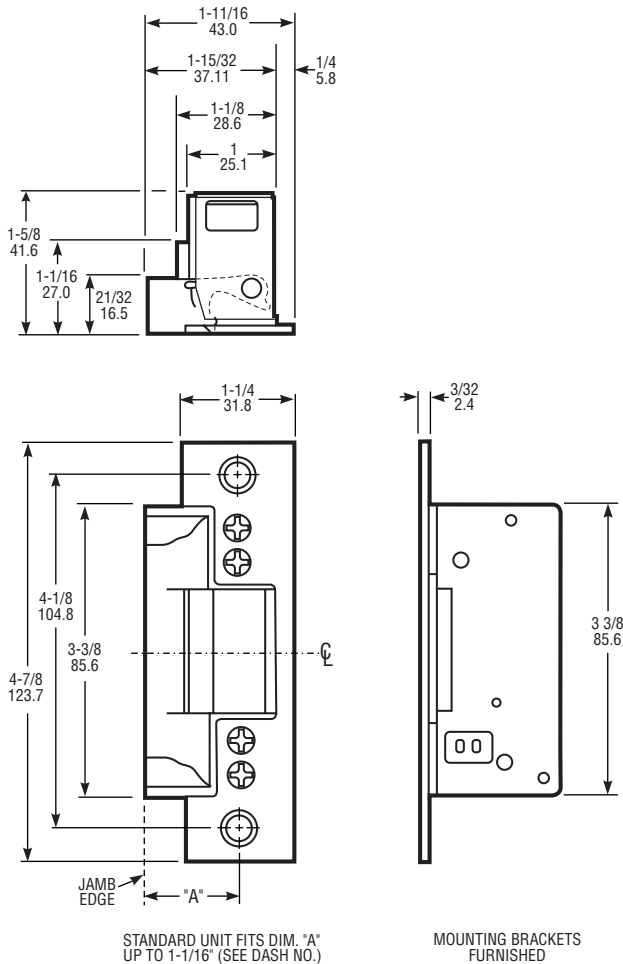


7140 Electric Strike

DIMENSIONS

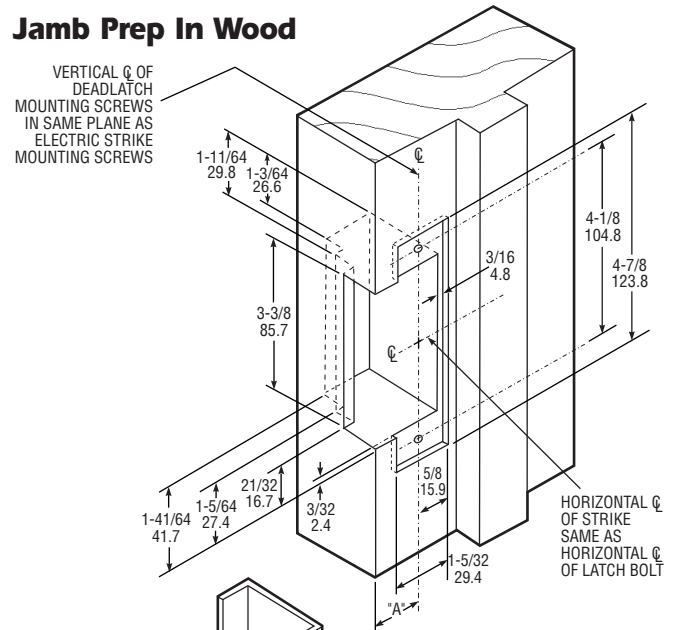
INCHES
MILLIMETERS

Nominal, subject to tolerance extremes.

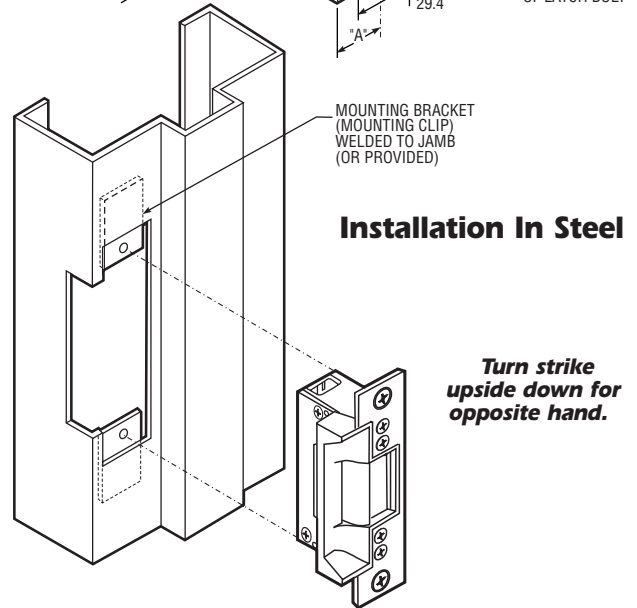


INSTALLATION

Jamb Prep In Wood



Installation In Steel



HOW TO ORDER

Specify quantity and the following information.
Order 4603 Rectifier and/or 4605 or 4606 Transformer separately.
(4603 included with AC Cont.)

Voltage

- 3** 12 Volt
- 4** 16 Volt
- 5** 24 Volt

Current & Duty

- 1** DC Continuous or Intermittent
- 2** AC Continuous*
- 4** AC Intermittent

Features**

- 0** Std/Fail-Secure
- 5** Fail-Safe
- 7** Monitor/Fail-Safe
- 9** Monitor/Fail-Secure

7140 - 315 - 605 - 00

Finish

- 628** Clear Anodized
- 605** Bright Brass
- 612** Satin Bronze
- 613** Oil Bronze
- 313** Dark Bronze Anod.
- 335** Black Anodized
- 625** Bright Chrome
- 626** Satin Chrome

Lip Extension (Dim. "A")

- (Door Centerline to Jamb Edge)
- 00** 1.06" or less
 - 07** 2.25"
 - 50** 1.38"
 - 08** 2.38"
 - 01** 1.50"
 - 09** 2.50"
 - 02** 1.63"
 - 10** 2.63"
 - 03** 1.75"
 - 11** 2.75"
 - 04** 1.88"
 - 12** 2.88"
 - 05** 2.00"
 - 13** 3.00"
 - 06** 2.13"

*A DC strike with rectifier attached for use on AC current.

**Fail-secure can be field converted to fail-safe or vice-versa.

STANDARD PACKAGE

Individually boxed with mounting screws. Includes mounting brackets and adhesive shims for use where welded tabs are omitted.

OPTIONS

Available with two monitoring signal switches which sense whether latch bolt is in strike and whether strike jaw is blocked. Choice of voltage in AC and DC for intermittent or continuous duty. Available with extended strike lip (see chart). Specify assembled for either fail-secure (locked when unpowered) or fail-safe (locked when powered) operation, but can be field-converted to the other mode.

4603 Rectifier - Converts AC to DC, installs in low voltage line between transformer and strike. Rated 2 amps. (200 PIV).

4605 Transformer - Converts 120VAC to 24VAC. Rated 40 Volt-amp output assures plenty of power for strike release. Patented mounting bracket fits in knockout hole of standard junction boxes.

4606 Transformer - Plug-in version for standard wall outlet.

See separate specification sheet for more information on Strike options.