

VOLTAGE

Available in 12, 16 or 24 volt AC and DC. DC and AC Continuous units are silent, AC intermittent units "buzz" on operation.

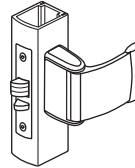
CURRENT DRAW/AMPS

Volts	AC Int.	DC or AC Cont.
12	1.42	.33
16	1.03	.22
24	.74	.17

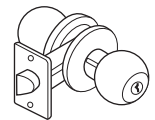
7130, 7131

ANSI/BHMA Type EO9321 (Grade 1)

LATCH TYPE



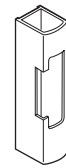
Adams Rite or Cylindrical Latches with 1/2" to 5/8" Projection.



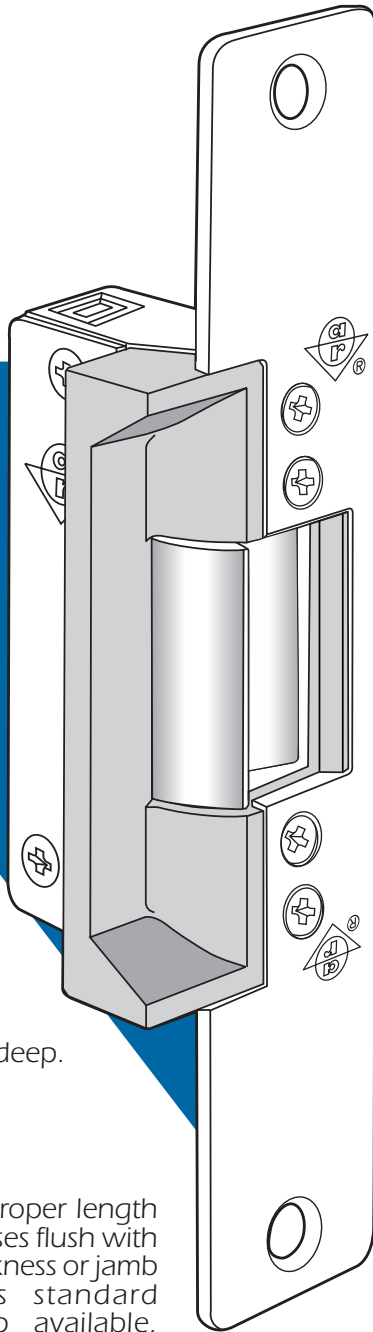
DOOR FRAME TYPE



7130
Aluminum Jamb



7131
Aluminum Stiles



PATENTED

UL Listed for Burglary Resistance

▼ Case

Approx. 1" x 3-3/8" x 1-5/8" deep. Zinc-aluminum alloy.

▼ Strike Lip

Basic 7130 strike has lip of proper length for 1-3/4" thick door that closes flush with jamb edge. Where door thickness or jamb shape differs from this standard relationship, extended lip available, specified by last dash number. (Not available for 7131.)

▼ Fail Safe/Fail Secure

Field convertible from one mode to the other. However, AC intermittent solenoid must not be used continuously in either.

▼ Strike Opening

5/8" x 1-7/16" x 1/2" deep. Bolt retainer jaw is stainless steel. Strike accepts bolt of any Adams Rite 4500 or 4700 Series deadlatch. See 7160 and 7170 strikes for use with other make Mortise latches.

▼ Faceplate

Measures 1-1/4" x 6-7/8". 7130 has flat faceplate; 7131 is radiused to match nose on inactive leaf in a pair of narrow stile glass doors. Available in US28 (628) Clear Anodized, 313 (Dark Bronze Anodized) or 335 (Black Anodized).

▼ Function

Remote electrical control of any narrow stile or hollow metal door equipped with an Adams Rite Series 4500 or 4700 (or similar) deadlatch. Large faceplate is designed to cover strike opening when converting from an MS[®] pivoted-bolt deadlock to a deadlatch. Electrical actuation unlocks strike jaw, releasing latchbolt so door can be opened without operating latch itself. Extremely compact mechanism fits into aluminum jamb (or opposing door) sections as shallow as 1-5/8". Replaces earlier 7030/7530/7830 Series.

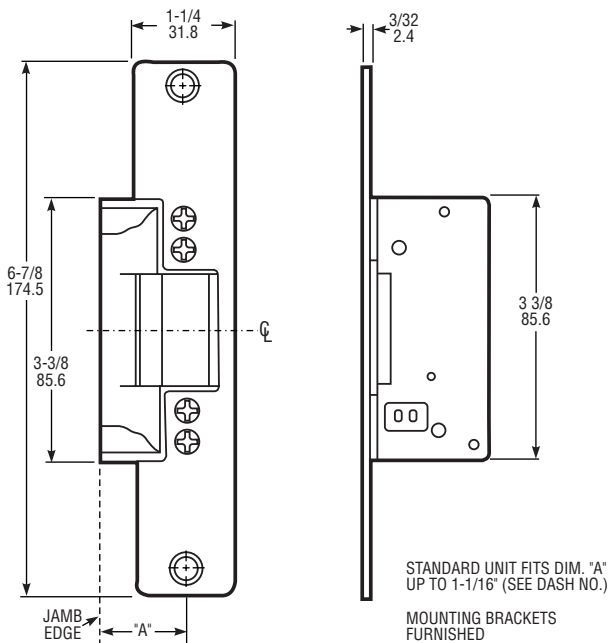
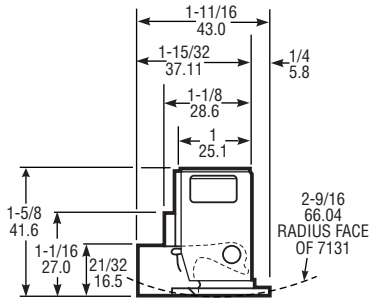


7130, 7131 Electric Strike

DIMENSIONS

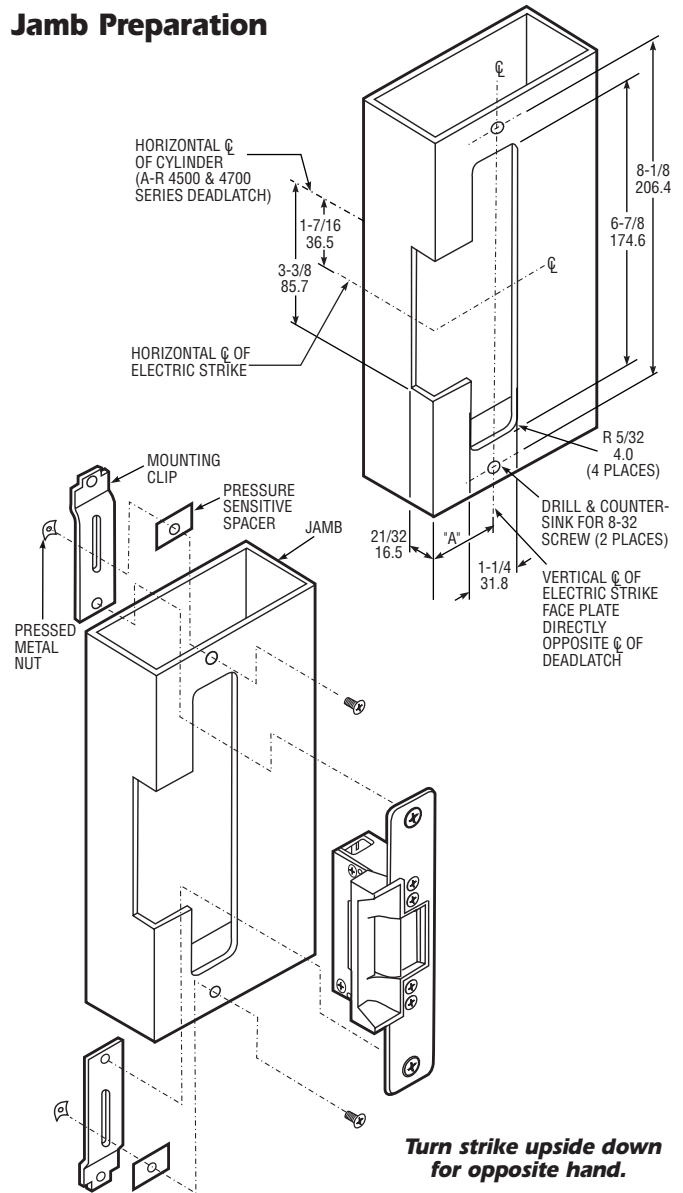
**INCHES
MILLIMETERS**

Nominal, subject to tolerance extremes.



INSTALLATION

Jamb Preparation



Turn strike upside down for opposite hand.

HOW TO ORDER

Specify quantity and the following information.
Order 4603 Rectifier and/or 4605 or 4606 Transformer separately.
(4603 included with AC Cont.)

Specify Model	Voltage	Current & Duty	Features**
7130 Flat	3 12 Volt	1 DC Continuous or Intermittent	0 Std/Fail-Secure
7131 Radius	4 16 Volt	2 AC Continuous*	5 Fail-Safe
	5 24 Volt	4 AC Intermittent	7 Monitor/Fail-Safe
			9 Monitor/Fail-Secure

7130 - 317 - 313 - 00

Finish	7130 Lip Extension (Dim. "A") (Door Centerline to Jamb Edge)
628 Clear Anodized	00 1.06" or less
313 Dark Bronze Anod.	01 1.50"
335 Black Anodized	02 1.63"
	03 1.75"
	04 1.88"
	05 2.00"
	06 2.13"
	07 2.25"
	08 2.38"
	09 2.50"
	10 2.63"
	11 2.75"
	12 2.88"
	13 3.00"

*A DC strike with rectifier attached for use on AC current.

**Fail-secure can be field-converted to fail-safe or vice-versa.

STANDARD PACKAGE

Individually boxed with mounting screws, mounting brackets and adhesive shims to accommodate jamb or stile extrusion thickness greater or less than nominal 1/8 inch.

OPTIONS

Available with two monitoring signal switches which sense whether latch bolt is in strike and whether strike jaw is blocked. Choice of voltage in AC and DC for intermittent or continuous duty. Series 7130 (flat) available with extended strike lip (see chart). Specify assembled for either fail-secure (locked when unpowered) or fail-safe (locked when powered) operation, but can be field-converted to the other mode.

4603 Rectifier - Converts AC to DC, installs in low voltage line between transformer and strike. Rated 2 amps. (200 PIV).

4605 Transformer - Converts 120VAC to 24VAC. Rated 40 Volt-amp output assures plenty of power for strike release. Patented mounting bracket fits in knockout hole of standard junction boxes.

4606 Transformer - Plug-in version for standard wall outlet.

See separate specification sheet for more information on Strike options.