

### VOLTAGE

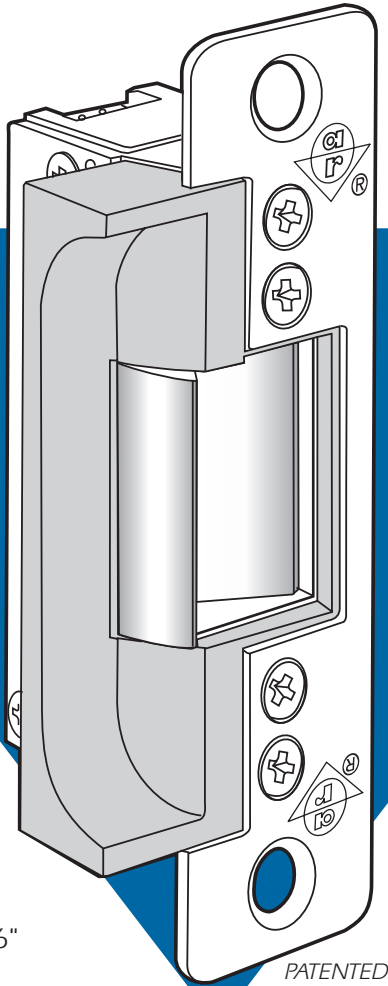
Available in 12, 16 or 24 volt AC and DC. DC and AC Continuous units are silent, AC intermittent units "buzz" on operation.

### CURRENT DRAW/AMPS

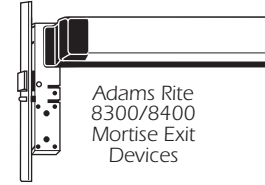
Volts	AC Int.	DC or AC Cont.
12	1.42	.33
16	1.03	.22
24	.74	.17

## 7108, 7128

ANSI/BHMA Type EO9321 (Grade 1)



### LATCH TYPE

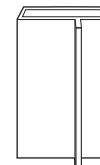


Adams Rite  
8300/8400  
Mortise Exit  
Devices

### DOOR FRAME TYPE



**7128**  
Hollow  
Metal



**7108**  
Aluminum



**7128**  
Wood

**UL Listed for Burglary Resistance**

### ▼ Case

Approx. 1" x 3-3/8" x 1-11/16" deep. Zinc-aluminum alloy.

### ▼ Strike Lip

Basic strike has lip of proper length for 1-3/4" thick door that closes flush with jamb edge. Where door thickness or jamb shape differs from this standard relationship, extended lip is available, specified by last dash number.

### ▼ Fail Safe/Fail Secure

Field convertible from one mode to the other. However, AC intermittent solenoid must not be used continuously in either.

### ▼ Strike Opening

5/8" x 1-7/16" x 9/16" deep. Bolt retainer jaw is stainless steel.

### ▼ Faceplate

Measures 1-1/4" x 4-7/8". 7108 has radiused corners. 7128 has square corners. Available in a wide range of architectural finishes.

### ▼ Function

Remote electrical control of any narrow stile or hollow metal door equipped with an Adams Rite Series 8300 or 8400 exit device. Electrical actuation unlocks strike jaw, releasing latchbolt so door can be opened without operating latch itself. Extremely compact mechanism fits into jamb sections as shallow as 1-11/16".



**ADAMS RITE**  
MANUFACTURING CO.

260 Santa Fe Street  
Pomona, California 91767  
(800) 872-3267 Fax: (800) 232-7329  
www.adamsrite.com

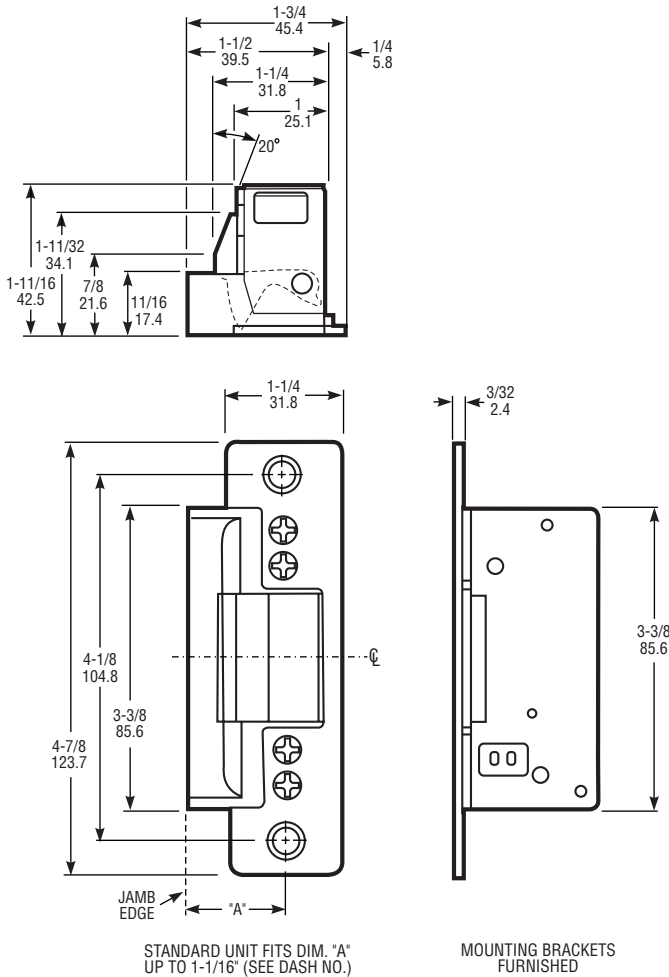


# 7108, 7128 Electric Strike

## DIMENSIONS

**INCHES  
MILLIMETERS**

Nominal, subject to tolerance extremes.

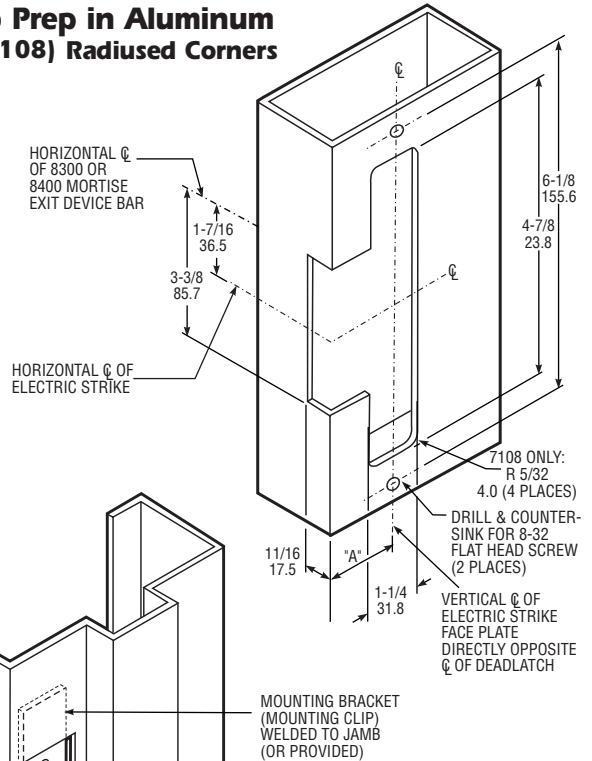


STANDARD UNIT FITS DIM. "A"  
UP TO 1-1/16" (SEE DASH NO.)

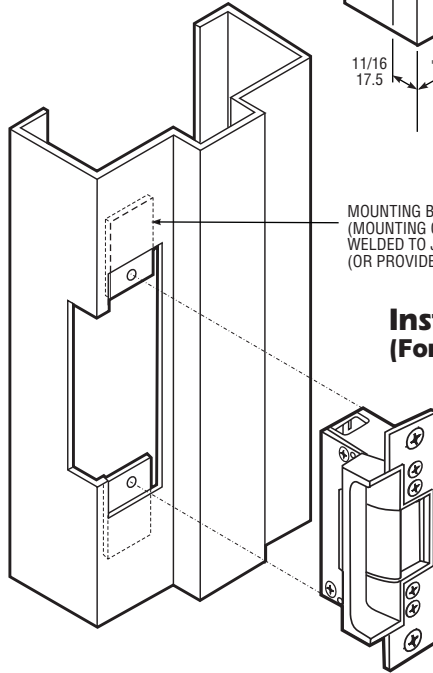
MOUNTING BRACKETS  
FURNISHED

## INSTALLATION

### Jamb Prep in Aluminum (For 7108) Radiused Corners



### Installation in Steel (For 7128) Square Corners



Turn strike  
upside down for  
opposite hand.

## HOW TO ORDER

Specify quantity and the following information.  
Order 4603 Rectifier and/or 4605 or 4606 Transformer separately.  
(4603 included with AC Cont.)

Specify Model	Voltage	Current & Duty	Features**
<b>7108</b> Radius	<b>3</b> 12 Volt	<b>1</b> DC Continuous or Intermittent	<b>0</b> Std/Fail-Secure
<b>7128</b> Square	<b>4</b> 16 Volt	<b>2</b> AC Continuous*	<b>5</b> Fail-Safe
	<b>5</b> 24 Volt	<b>4</b> AC Intermittent	<b>7</b> Monitor/Fail-Safe
			<b>9</b> Monitor/Fail-Secure

# 7108 - 315 - 605 - 00

Finish	Lip Extension (Dim. "A") (Door Centerline to Jamb Edge)
<b>628</b> Clear Anodized	<b>00</b> 1.06" or less
<b>605</b> Bright Brass	<b>01</b> 1.50"
<b>612</b> Satin Bronze	<b>02</b> 1.63"
<b>613</b> Oil Bronze	<b>03</b> 1.75"
<b>313</b> Dark Bronze Anod.	<b>04</b> 1.88"
<b>335</b> Black Anodized	<b>05</b> 2.00"
<b>625</b> Bright Chrome	<b>06</b> 2.13"
<b>626</b> Satin Chrome	<b>07</b> 2.25"
	<b>08</b> 2.38"
	<b>09</b> 2.50"
	<b>10</b> 2.63"
	<b>11</b> 2.75"
	<b>12</b> 2.88"
	<b>13</b> 3.00"

\*A DC strike with rectifier attached for use on AC current.

\*\*Fail-secure can be field-converted to fail-safe or vice-versa.

## STANDARD PACKAGE

Individually boxed with mounting screws, mounting brackets and adhesive shims to accommodate jamb or stile extrusion thickness greater or less than nominal 1/8 inch.

## OPTIONS

Available with two monitoring signal switches which sense whether latch bolt is in strike and whether strike jaw is blocked. Choice of voltage in AC and DC for intermittent or continuous duty. Available with extended strike lip (see chart). Specify assembled for either fail-secure (locked when unpowered) or fail-safe (locked when powered) operation, but can be field-converted to the other mode.

**4603 Rectifier** - Converts AC to DC, installs in low voltage line between transformer and strike. Rated 2 amps. (200 PIV).

**4605 Transformer** - Converts 120VAC to 24VAC. Rated 40 Volt-amp output assures plenty of power for strike release. Patented mounting bracket fits in knockout hole of standard junction boxes.

**4606 Transformer** - Plug-in version for standard wall outlet.

See separate specification sheet for more information on Strike options.