

BHMA TYPE 1

Rim Exit Device

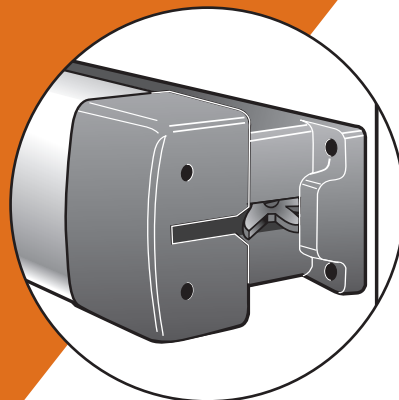
For Wood & Hollow Steel Doors

3700 Series

FIRE-RATED

8700 Series

LIFE-SAFETY




Features:

- ▼ Patented "Starwheel" Bolt interlocks door to frame
- ▼ Pushbar is anodized or clad, not plated, in a variety of finishes
- ▼ Easy to install
- ▼ Unobtrusive design for clean sight lines
- ▼ Strong, durable construction for a high level of security

CERTIFICATIONS:

8700 SERIES:

 Life-Safety Listing
ANSI/BHMA A156.3 Grade 1
California State Fire Marshall
New York City MEA*

*Consult factory for specific number

3700 SERIES:

 10C Fire Label, up to 3 hrs.
California State Fire Marshall
New York City MEA*
Warnock/Hersey Listing for
Fire Doors up to 10 Feet.
4'x10' Singles, 8'x10' Pairs.



ADAMS RITE
MANUFACTURING CO.

260 Santa Fe Street
Pomona, California 91767
(800) 872-3267 Fax: (800) 232-7329
www.adamsrite.com