






Trim & Function

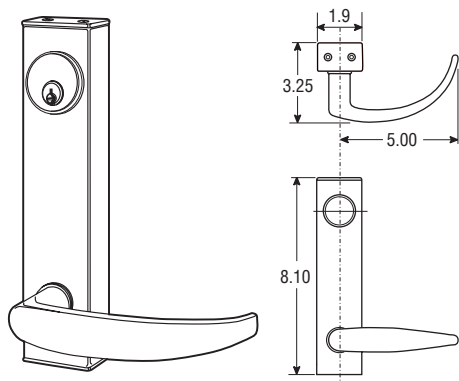
Narrow Stile Concealed Vertical Rod Exit Device

ANSI/BHMA Functions:

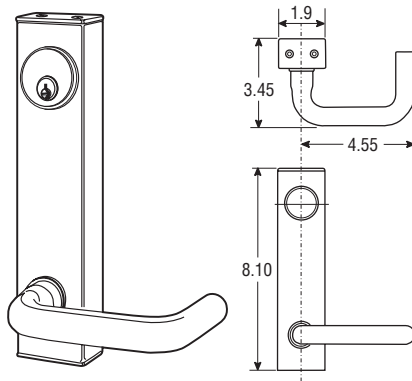
01	02	03	08	09	11	12	14
EXIT ONLY- NO TRIM	PULL ONLY WHEN DOGGED FIXED PULLS BY OTHERS	KEY RETRACTS LATCHBOLT NL FIXED PULLS BY OTHERS	KEY LOCKS LEVER	KEY LOCKS LEVER NL	KEY LOCKS THUMBTURN	KEY LOCKS THUMBTURN NL	PASSAGE SET
CYLINDER TYPE							
N/A	N/A	MORTISE 	MORTISE 	MORTISE 	MORTISE 	MORTISE 	N/A

NL – Night Latch

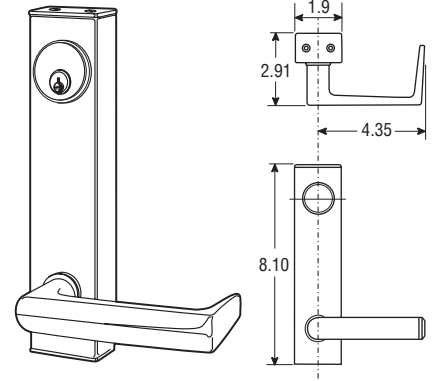
Clutch Lever Entry Trim



Modern Model 3081

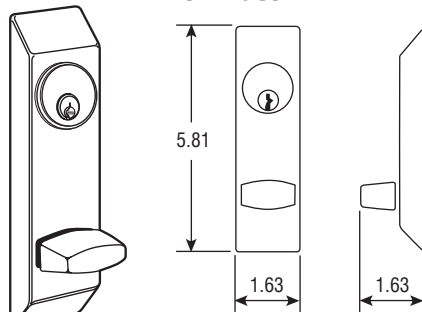


Tubular Model 3082



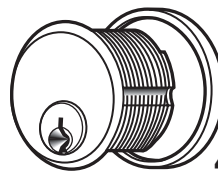
Traditional Model 3083

Thumbturn



Model 8066

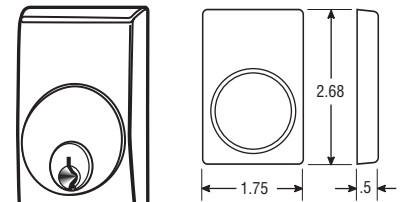
Mortise Cylinder



4036-01

Standard diameter five-pin unit with MS® cam, suitable for use with Entry Trim on Rim exit devices. All brass construction with front "scalp" available in finishes 628, 313 and 335. Available in quantity all keyed different (KD), in pairs (KA2) or fifty alike (KA50). Any other make standard Mortise cylinder with MS® cam can be used to "key in" with existing systems.

Escutcheon



8650

Required to mount any make standard Mortise cylinder, with MS® cam, on outside of door. Specify finish being matched when ordering.