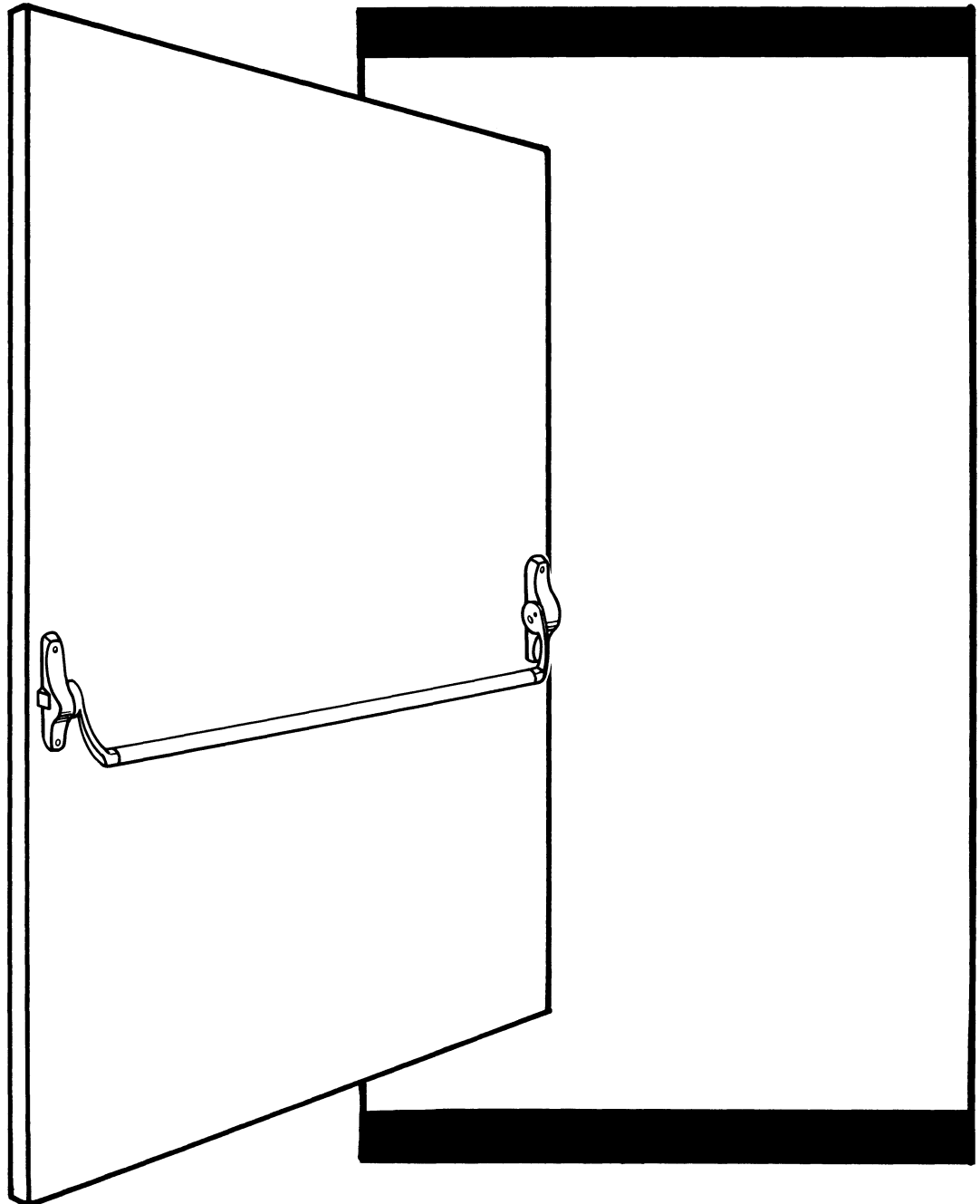


PARTS MANUAL

55 Series Devices



Index

Device Finishes	3
Device Strikes	3
Mortise Strikes	3
Parts List-55 Rim-EO, DT....	4
Parts List-55 Rim-NL	4
Parts List-5547	6
Parts List-5547-F	8
Parts List-5547WDC	10
Parts List-5575	12
Parts List-5575-F	12
Parts List-7500 Mortise Lock	14
Parts List-E7500 Fail Safe ...	15
Parts List-E7500 Fail Secure	15
Maintenance	16
Lubrication Diagrams	16

Introduction

This manual contains product specifications, a complete listing of replaceable parts and assemblies, and general maintenance information for the 55 Series Exit devices and Fire Exit Hardware devices (F) with their auxiliary components. For your convenience, the Parts Lists refer directly to the product illustrations. The assemblies are represented by letters and the component parts are represented by numbers. The parts lists also show the quantity of parts or assemblies required for each device.

For the best possible service when ordering replacement parts or assemblies, please provide the following information:

- Part or Assembly number
- Description
- Quantity needed
- Finish desired (if available finished)
- Delivery information
- Door opening size (Parts available in variable lengths)

Send orders to:

Von Duprin
2720 Tobey Drive
Indianapolis, Indiana 46219
(317) 897-9944

or contact your local Von Duprin distributor or sales representative.

© 1991, Von Duprin, Inc.

Devices in this Manual:

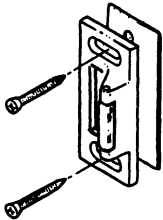
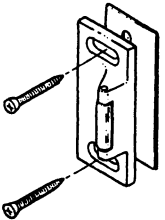
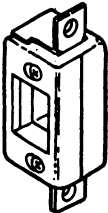
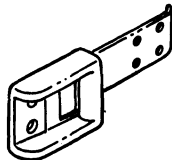
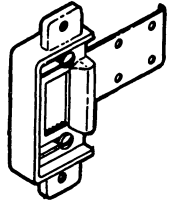
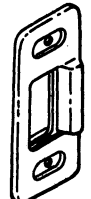
55 Rim Exit Devices
 5547 Exit Devices (Concealed Vertical)
 5547-F Fire Exit Hardware Devices (Concealed Vertical)
 5547 WDC Exit Devices (Wood Door Concealed Vertical)
 5575 Mortise Exit Devices
 5575-F Mortise Fire Exit Hardware Devices

Device Finishes:

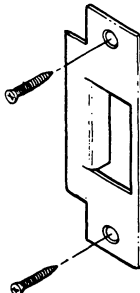
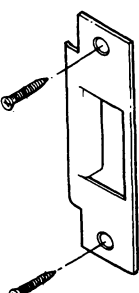
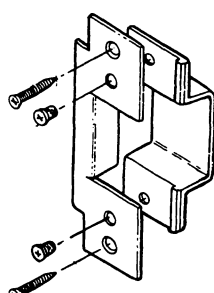
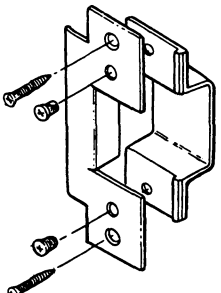
U.S. Std. Ref.	BHMA Ref.	Description
US3	605	Polished Brass-Lacquered
US4	606	Dull Brass-Lacquered
US9	611	Polished Bronze-Lacquered
*US10	612	Dull Bronze-Lacquered
US10A	—	Dull Bronze-No Lacquer
US10B	613	Dull Bronze-Oxidized-Oil Rubbed
US26	625	Polished Chrome
*US26D	626	Dull Chrome
US32	629	Polished Stainless Steel
*US32D	630	Satin Stainless Steel

*Denotes Standard Finishes

Rim Strikes

 <p>264 Strike #030503 Strike Mtg. Pkg. #900263</p>	 <p>299 Strike #030298 Strike Mtg. Pkg. #900263</p>	 <p>1408 Strike #030204 Strike Mtg. Pkg. #900253</p>	 <p>1409 Strike #030205-1¼ Dr. #030207-2¼ Dr. Strike Mtg. Pkg. #900254</p>	 <p>1410 Strike #030206-1¼ Dr. #030210-2¼ Dr. Strike Mtg. Pkg. #900255</p>	 <p>1606 Strike #030211 Strike Mtg. Pkg. #900263</p>
---	---	--	--	---	--

Mortise Strikes

 <p>575 Mortise Strike</p>	 <p>575-2 Mortise Strike</p>	 <p>576A Mortise Strike</p>	 <p>576B Mortise Strike</p>
--	--	--	---

Parts List-55 Rim Device-EO, DT

Item	Qty.	Part No.	Description	
*A	1	101140	End Case Assy.-RH Bronze	X
*A	1	101141	End Case Assy.-RH Aluminum	X
*A	1	101142	End Case Assy.-RH St. Steel	X
*A	1	101143	End Case Assy.-LH Bronze	X
*A	1	101144	End Case Assy.-LH Aluminum	X
*A	1	101145	End Case Assy.-LH St. Steel	X
B	1	101134	Lever Arm Assy.-LH Bronze	X
B	1	101135	Lever Arm Assy.-LH Aluminum	X
B	1	101136	Lever Arm Assy.-LH St. Steel	X
C	1	101403	Center Case Assy.-RH Bronze	X
C	1	101404	Center Case Assy.-RH Aluminum	X
C	1	101405	Center Case Assy.-RH St. Steel	X
C	1	101406	Center Case Assy.-LH Bronze	X
C	1	101407	Center Case Assy.-LH Aluminum	X
C	1	101408	Center Case Assy.-LH St. Steel	X
D	1	101137	Lever Arm Assy.-RH Bronze	X
D	1	101138	Lever Arm Assy.-RH Aluminum	X
D	1	101139	Lever Arm Assy.-RH St. Steel	X
E	1	103868	Wedge Tite Package	
F	1	103866	Reversing Package	
1	3	963094	#8-32 x 5/16" Long PPHMS-Thd. Form.	
2	1	959969	Back Plate	
3	1	960745	Spring-End Case	
4	1	109826	Spring Lever Sub-Assy.	
5	1	959909	End Case-Bronze	X
5	1	959996	End Case-Bronze	X
5	1	960638	End Case-St. Steel	X
6	2	959986	Bushing	
7	2	965827	Dog Screw	
8	1	960255	Retaining Screw-End Case	
9	2	963096	#8-32 x 3/8" Long FPHMS-Thd. Form.	
10	2	959990	Rim Axle Retainer	
11	1	959958	Back Plate	
13	1	959855	Retaining Screw-Center Case	
14	1	959995	Latch Bolt Spring Clip	

X Designates items that are finished.

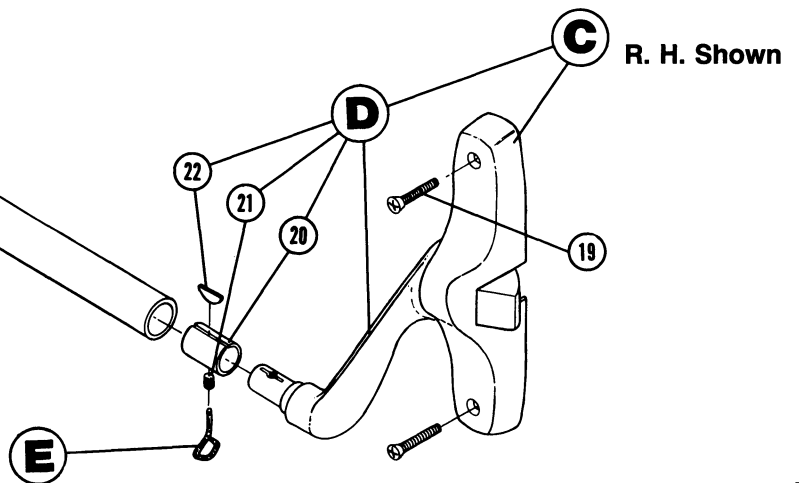
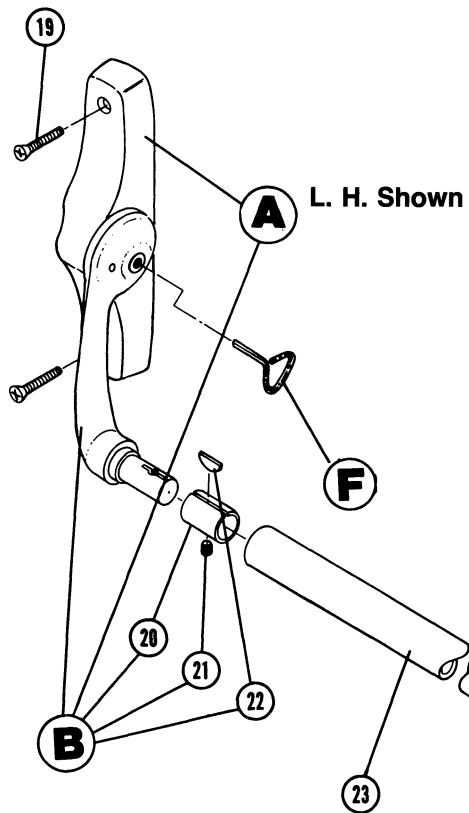
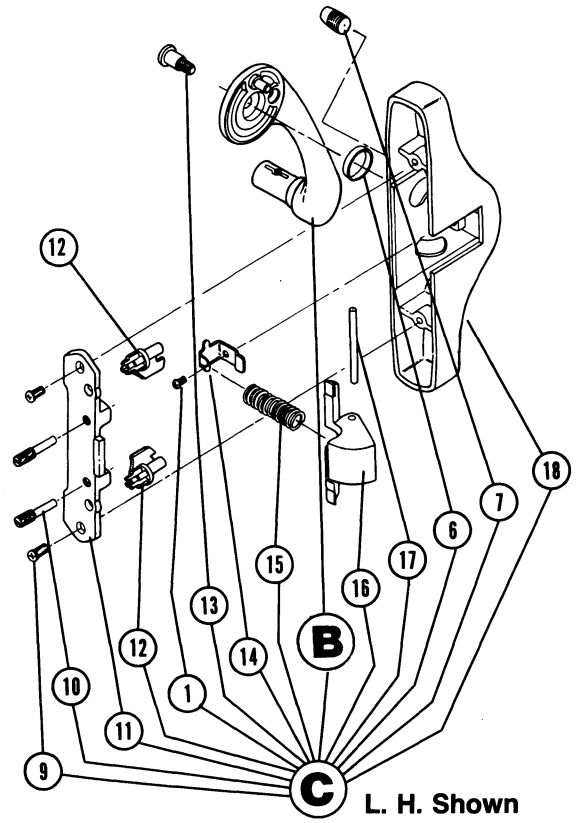
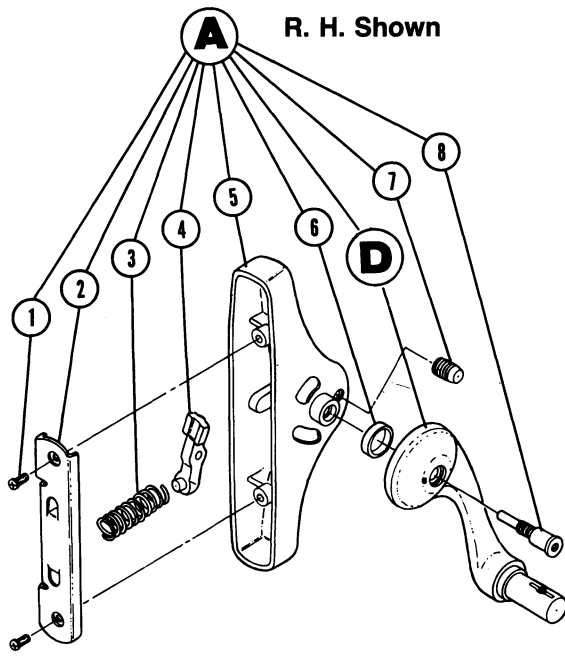
Note: For ordering parts provide the part number, description, total quantity and finish required.

Item	Qty.	Part No.	Description	
15	1	967502	Spring-Latch Bolt	
16	1	959850	Latch Bolt-St. Steel	
17	1	959853	Axle-Latch Bolt	
18	1	959733	Center Case-Bronze	X
18	1	959993	Center Case-Aluminum	X
18	1	960632	Center Case-St. Steel	X
**19	4	963122	#12-24 x 3/4" OPHMS-Bronze	X
**19	4	963123	#12-24 x 3/4" OPHMS-St. Steel	X
20	2	965676	Tube Attaching Ring	
21	2	963851	5/16"-18 x 5/8" Soc. Hd. Set Screw	
22	2	956520	Ring Wedge	
23	1	060275	Crossbar Tube-Std.-27 1/2" Long	X
23	1	061275	Crossbar Tube-Knurled-27 1/2" Long	X
23	1	060295	Crossbar Tube-Std.-29 1/2" Long	X
23	1	061295	Crossbar Tube-Knurled-29 1/2" Long	X
23	1	060360	Crossbar Tube-Std.-36" Long	X
23	1	061360	Crossbar Tube-Knurled-36" Long	X
23	1	060420	Crossbar Tube-Std.-42" Long	X
23	1	061420	Crossbar Tube-Knurled-42" Long	X
23	1	060500	Crossbar Tube-Custom-Std. (longer than 42")	X
23	1	061500	Crossbar Tube-Custom-Knurled (longer than 42")	X
*			When purchasing the end case assembly the lever arm assembly is included.	
**	1	900513	Mounting Screw Package	X

Parts List-55 Rim Device-NL

Item	Qty.	Part No.	Description	
All items listed in EO, DT chart are used on this device unless otherwise noted.				
C	1	101233	Center Case Assy.-RH Bronze	X
C	1	101234	Center Case Assy.-RH Aluminum	X
C	1	101235	Center Case Assy.-RH St. Steel	X
C	1	101236	Center Case Assy.-LH Bronze	X
C	1	101237	Center Case Assy.-LH Aluminum	X
C	1	101238	Center Case Assy.-LH St. Steel	X
12	1	959957	NL Cam-RH	
12	1	959991	NL Cam-LH	

55 Rim Device—EO, DT & NL



Parts List–5547 Concealed Vertical Rod Device

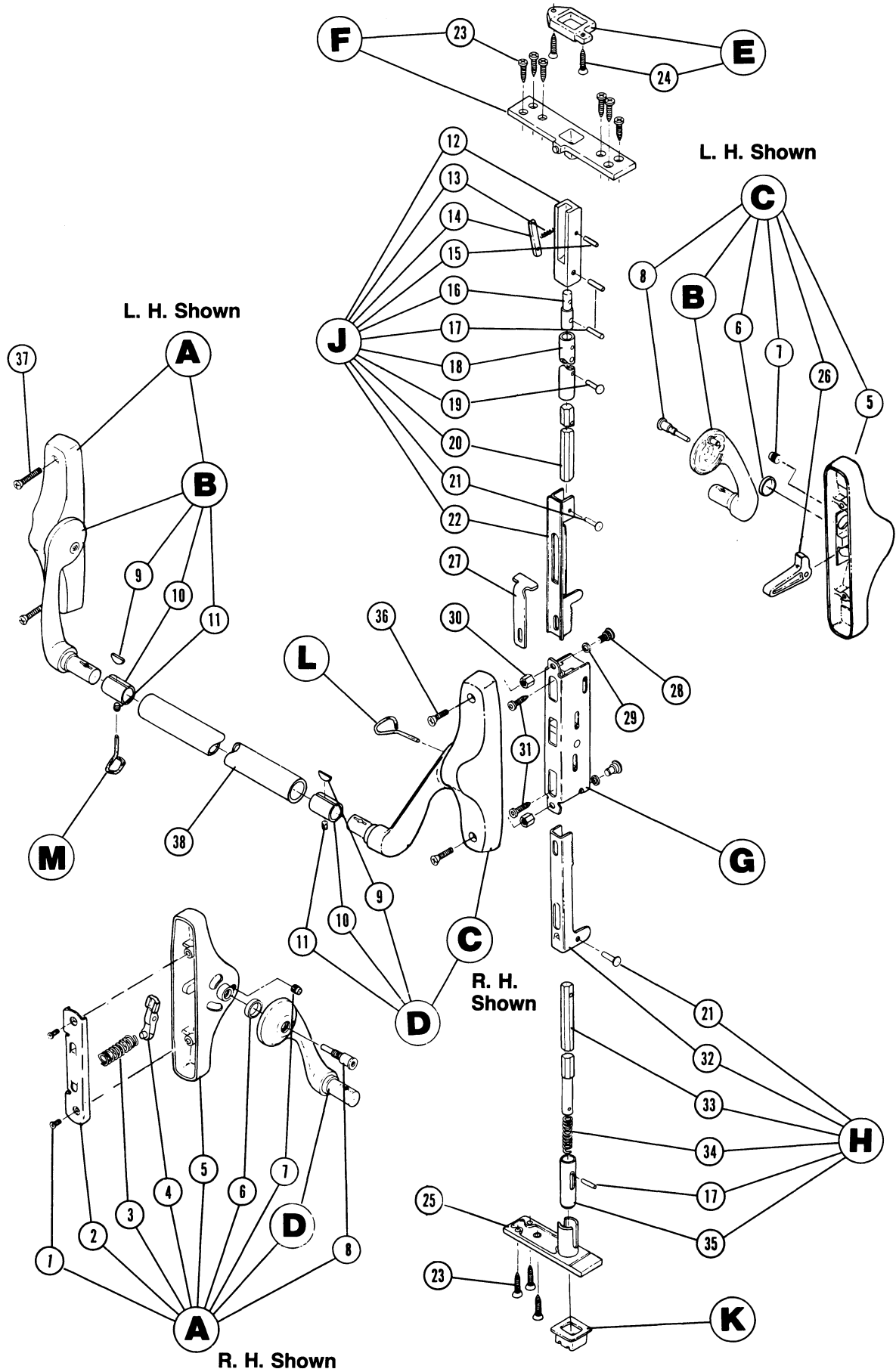
Item	Qty.	Part No.	Description	
A	1	101140	End Case Assy.–RH Bronze	X
A	1	101141	End Case Assy.–RH Aluminum	X
A	1	101142	End Case Assy.–RH St. Steel	X
A	1	101143	End Case Assy.–LH Bronze	X
A	1	101144	End Case Assy.–LH Aluminum	X
A	1	101145	End Case Assy.–LH St. Steel	X
B	1	101134	Lever Arm Assy.–LH Bronze	X
B	1	101135	Lever Arm Assy.–LH Aluminum	X
B	1	101136	Lever Arm Assy.–LH St. Steel	X
C	1	101220	Center Case Assy.–RH Bronze	X
C	1	101221	Center Case Assy.–RH Aluminum	X
C	1	101222	Center Case Assy.–RH St. Steel	X
C	1	101229	Center Case Assy.–LH Bronze	X
C	1	101230	Center Case Assy.–LH Aluminum	X
C	1	101231	Center Case Assy.–LH St. Steel	X
D	1	101137	Lever Arm Assy.–RH Bronze	X
D	1	101138	Lever Arm Assy.–RH Aluminum	X
D	1	101139	Lever Arm Assy.–RH St. Steel	X
E	1	030655	471 Strike Assy.	
F	1	100316	Top Plate Assy.	
G	1	101190	Rod Control Housing Assy.	
H	1	102551	Bottom Rod Assy.	
J	1	104759	Top Rod Assy. (6'8"-8'0")	
K	1	030659	304L Strike	
L	1	103866	Reversing Package	
M	1	103868	Wedge Tite Package	
1	2	963094	#8-32 × 5/16" Long PPHMS Thd. Form.	
2	1	959969	Back Plate	
3	1	960745	End Case Spring	
4	1	109826	Spring Lever Sub-Assy.	
5	2	959909	Center & End Case–Bronze	X
5	2	959996	Center & End Case–Aluminum	X
5	2	960638	Center & End Case–St. Steel	X
6	2	959986	Bushing	
7	2	965827	Dog Screw	
8	2	960255	Retaining Screw	
9	2	956520	Ring Wedge	
10	2	965676	Tube Attaching Ring	

Item	Qty.	Part No.	Description	
11	2	963851	5/16"-18 × 5/8" Set Screw	
12	1	954640	Top Bolt	
13	1	953360	Trigger Spring	
14	1	969167	Top Bolt Trigger	
15	1	963130	1/8" × 5/8" Roll Pin	
16	1	966625	Rod & Bolt Connector	
17	3	963131	3/16" × 5/8" Roll Pin	
18	1	966170	Top Rod Tube	
19	1	967224	Rod Connector Rivet	
20	1	966644	Top Rod-Adjustable	
21	2	960049	Rod Connector Pin	
22	1	101149	Rod Connector Assy.	
23	6	965294	#12-12 × #12-24 × 1" UFPH Comb. Screw	
**24	2	965442	#8-16 × #8-32 × 1" UFPHCS	
25	1	966165	Bottom Bolt Guide	
26	1	109861	Control Lever Sub-Assy.	
27	1	959563	Cylinder Latch Release RHR	
27	1	960109	Cylinder Latch Release LHR	
**28	2	961136	Sex Bolt Head–Aluminum Doors Only	
**29	2	963027	#12 SAE Washer–Aluminum Doors Only	
**30	2	961137	Sex Bolt Anchor–Aluminum Doors Only	
**30	2	966703	Hex Stud–Reinforced Hollow Metal Doors	
**31	2	963125	#10-24 × 3/4" BSHCS w/Nylok Insert	
32	1	961152	Bottom Connector	
33	1	961039	Bottom Rod	
34	1	958627	Bottom Bolt Spring	
35	1	952790	Bottom Bolt	
*36	2	963024	#12-24 × 1/2" OPHMS–Bronze	X
*36	2	963025	#12-24 × 1/2" OPHMS–St. Steel	X
*37	2	963122	#12-24 × 3/4" OPHMS–Bronze	X
*37	2	963123	#12-24 × 3/4" OPHMS–St. Steel	X
38			For complete list of Cross Bar Tube sizes and part no.'s, see Item #23 on Page 10.	
*	1	900520	Mtg. Screw Package	X
**	1	900539	Mtg. Screw Package	
***	1	900286	471-U Strike Mtg. Screw Package	

X Designates items that are finished.

Note: For ordering parts provide the part number, description, total quantity and finish required.

5547 Vertical Rod Device



Parts List–5547-F Vertical Rod Device

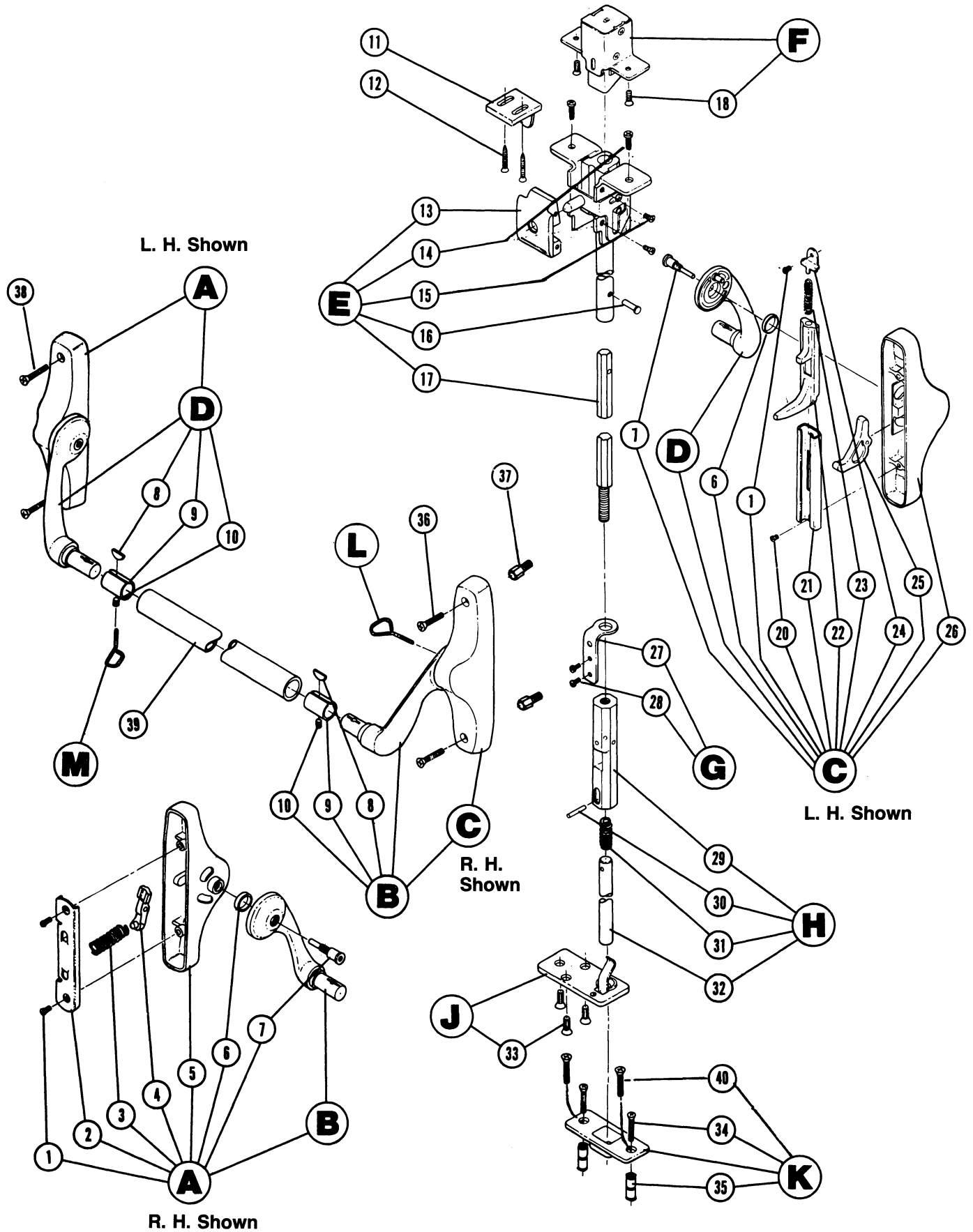
Item	Qty.	Part No.	Description	
A	1	102324	End Case Assy.–LH Bronze	X
A	1	102325	End Case Assy.–LH Aluminum	X
A	1	102326	End Case Assy.–LH St. Steel	X
A	1	102327	End Case Assy.–RH Bronze	X
A	1	102328	End Case Assy.–RH Aluminum	X
A	1	102329	End Case Assy.–RH St. Steel	X
B	1	102274	Lever Arm Assy.–RH Bronze	X
B	1	102275	Lever Arm Assy.–RH Aluminum	X
B	1	102276	Lever Arm Assy.–RH St. Steel	X
C	1	103923	Center Case Assy.–RH Bronze	X
C	1	103924	Center Case Assy.–RH Aluminum	X
C	1	103925	Center Case Assy.–RH St. Steel	X
C	1	103926	Center Case Assy.–LH Bronze	X
C	1	103927	Center Case Assy.–LH Aluminum	X
C	1	103928	Center Case Assy.–LH St. Steel	X
D	1	102277	Lever Arm Assy.–LH Bronze	X
D	1	102278	Lever Arm Assy.–LH Aluminum	X
D	1	102279	Lever Arm Assy.–LH St. Steel	X
E	1	105020	Top Rod & Latch Release Assy. (6'8"-8'0")	X
F	1	102930	Soffit Latch Bolt Assy.	
G	1	105144	Rod Guide Assy.	
H	1	105666	Bottom Rod Assy	
J	1	100741	Bottom Rod Guide Assy.	
K	1	030609	301-L Strike Assy.	
L	1	103866	Reversing Package	
M	1	103868	Wedge Tite Package	
1	3	963094	#8-32 × 5/16" Long PPHMS Thd. Form.	
2	1	959969	Back Plate	
3	1	960745	End Case Spring	
4	1	109826	Spring Lever Sub-Assy.	
5	1	959909	End Case	X
5	1	959996	End Case	X
5	1	960638	End Case	X
6	2	959986	Bushing	
7	2	960255	Retaining Screw	
8	2	956520	Ring Wedge	
9	2	965676	Tube Attaching Ring	

Item	Qty.	Part No.	Description	
10	2	963851	5/16"-18 × 5/8" Set Screw	
11	1	960113	Plunger Release Bracket	X
12	2	965289	#10-12 × 10-24 × 1/4" OPHCS	X
13	1	957750	Release Guide Cover	X
14	2	963030	#12-24 × 3/8" BSHMS	
15	4	956011	#8-32 × 1/4" FPHMS	
16	1	967224	Rod Connector Rivet	
17	1	966169	Adjustable Top Rod	
18	2	963011	#12-24 × 1/2" Long UFPHMS	
20	1	963789	#8-32 × 1/4" FPHMS–Undercut	
21	1	965279	Lift Member Guide	
22	1	965278	Lift Member	
23	1	965300	Latch Release Spring	
24	1	965301	Spring Anchor	
25	1	965299	Lift Member Lever	
26	1	965302	Center Case–Bronze	X
26	1	965303	Center Case–Aluminum	X
26	1	965304	Center Case–St. Steel	X
27	1	966295	Rod Guide	
28	2	963750	#10-24 × 3/8" PSHMS	
29	1	966767	Rod Control	
30	1	964076	Spirol Pin–3/16" × 7/8"	
31	1	958817	Spring	
32	1	957880	Bottom Rod	
33	3	963013	#12-24 × 9/16" FPHMS	
34	2	963043	1/4"-20 × 1 1/2" RSHMS	
35	2	963045	1/4"-20 Expansion Anchor	
*36	2	963586	#12-24 × 5/8" OPHMS–Bronze	X
*36	2	963672	#12-24 × 5/8" OPHMS–St. Steel	X
*37	2	966703	Hex Stud	
*38	2	963122	#12-24 × 3/4" OPHMS–Bronze	X
*38	2	963123	#12-24 × 3/4" OPHMS–St. Steel	X
39			For complete list of Cross Bar tube sizes and part no.'s, see Item #23 on page 10.	
40	2	963044	1/4"-20 × 1 1/2" FPHMS	
*		900515	Mounting Screw Package	X

X Designates Items that are finished.

Note: For ordering parts provide the part number, description, total quantity and finish required.

5547-F Vertical Rod Device



Parts List–5547WDC Concealed Vertical Rod Device

Item	Qty.	Part No.	Description	
A	1	101140	End Case Assy.–RH Bronze	X
A	1	101141	End Case Assy.–RH Aluminum	X
A	1	101142	End Case Assy.–RH St. Steel	X
A	1	101143	End Case Assy.–LH Bronze	X
A	1	101144	End Case Assy.–LH Aluminum	X
A	1	101145	End Case Assy.–LH St. Steel	X
B	1	101134	Lever Arm Assy.–LH Bronze	X
B	1	101135	Lever Arm Assy.–LH Aluminum	X
B	1	101136	Lever Arm Assy.–LH St. Steel	X
C	1	103917	Center Case Assy.–LH Bronze	X
C	1	103918	Center Case Assy.–LH Aluminum	X
C	1	103919	Center Case Assy.–LH St. Steel	X
C	1	103911	Center Case Assy.–RH Bronze	X
C	1	103912	Center Case Assy.–RH Aluminum	X
C	1	103913	Center Case Assy.–RH St. Steel	X
D	1	101137	Lever Arm Assy.–RH Bronze	X
D	1	101138	Lever Arm Assy.–RH Aluminum	X
D	1	101139	Lever Arm Assy.–RH St. Steel	X
E	1	030508	472-U Strike (1¾" Thick Door)	X
E	1	030509	473-U Strike (2¼" Thick Door)	X
F	1	100316	Top Plate Assy.	
G	1	105163	Top Rod Assy. (6'8"-8'0")	
H	1	100315	Latch Control	
J	1	105641	Bottom Rod Assy.	
L	1	030659	304L Strike	
M	1	103866	Reversing Package	
N	1	103868	Wedge Tite Package	
1	3	963094	#8-32 × 5/16" Long PPHMS–Thd. Form.	
2	1	959969	Back Plate	
3	1	960745	End Case Spring	
4	1	109826	Spring Lever Sub-Assy.	
5	1	959909	End Case–Bronze	X
5	1	959996	End Case–Aluminum	X
5	1	960638	End Case–St. Steel	X
6	2	959986	Bushing	
7	2	960255	Retaining Screw	
8	2	956520	Attaching Ring Wedge	
9	2	965676	Tube Attaching Ring	
10	2	963851	5/16"-18 × 5/8" Soc. Hd. Set Screw	

Item	Qty.	Part No.	Description	
**11	4	965289	#10-12 × #10-24 × 1" OPHCS–Bronze	X
**11	4	965290	#10-12 × #10-24 × 1" OPHCS–St. Steel	X
12	6	965294	#12-12 × #12-24 × 1" UFPHCS	
13	1	954640	Top Bolt	
14	1	953360	Trigger Spring	
15	1	969167	Top Bolt Trigger	
16	1	963130	1/8" × 5/8" Roll Pin	
17	1	966625	Rod and Bolt Connector	
18	3	963131	3/16" × 5/8" Roll Pin	
19	1	966170	Top Rod Tube	
20	1	967224	Rod Connector Rivet	
21	1	966385	Adjustable Top Rod (6'8"-8'0")	
22	1	965301	Spring Anchor	
23	1	965300	Spring	
24	1	965278	Lift Member	
25	1	965279	Lift Member Guide	
26	1	963789	#8-32 × 1/4" FPHMS Thd. Form. Undercut	
27	1	965299	Lift Member Lever	
28	1	965302	Center Case–Bronze	X
28	1	955303	Center Case–Aluminum	X
28	1	955304	Center Case–St. Steel	X
29	2	965827	Dog Screw	
30	1	953220	Top Rod Control	
31	1	963096	#8-32 × 3/8" FPHMS Thd. Form.	
32	1	952720	Cover Plate	
33	1	953280	Cam	
34	1	958648	Spring	
35	1	952940	Housing	
36	2	963005	#10 × 1" PHSMS Type "A"	
37	1	953210	Bottom Rod Control	
38	1	966916	Bottom Rod	
39	1	958627	Bottom Bolt Spring	
40	1	952790	Bottom Bolt	
41	1	966165	Bottom Bolt Guide	
*42	4	963122	#12-24 × 3/4" OPHMS–Bronze	X
*42	4	963123	#12-24 × 3/4" OPHMS–St. Steel	X
43	1	060275	Cross Bar Tube–Std.–27½" Long	X
43	1	061275	Cross Bar Tube–Knurled–27½" Long	X
43	1	060295	Cross Bar Tube–Std.–29½" Long	X
43	1	061295	Cross Bar Tube–Knurled–29½" Long	X

X Designates items that are finished.

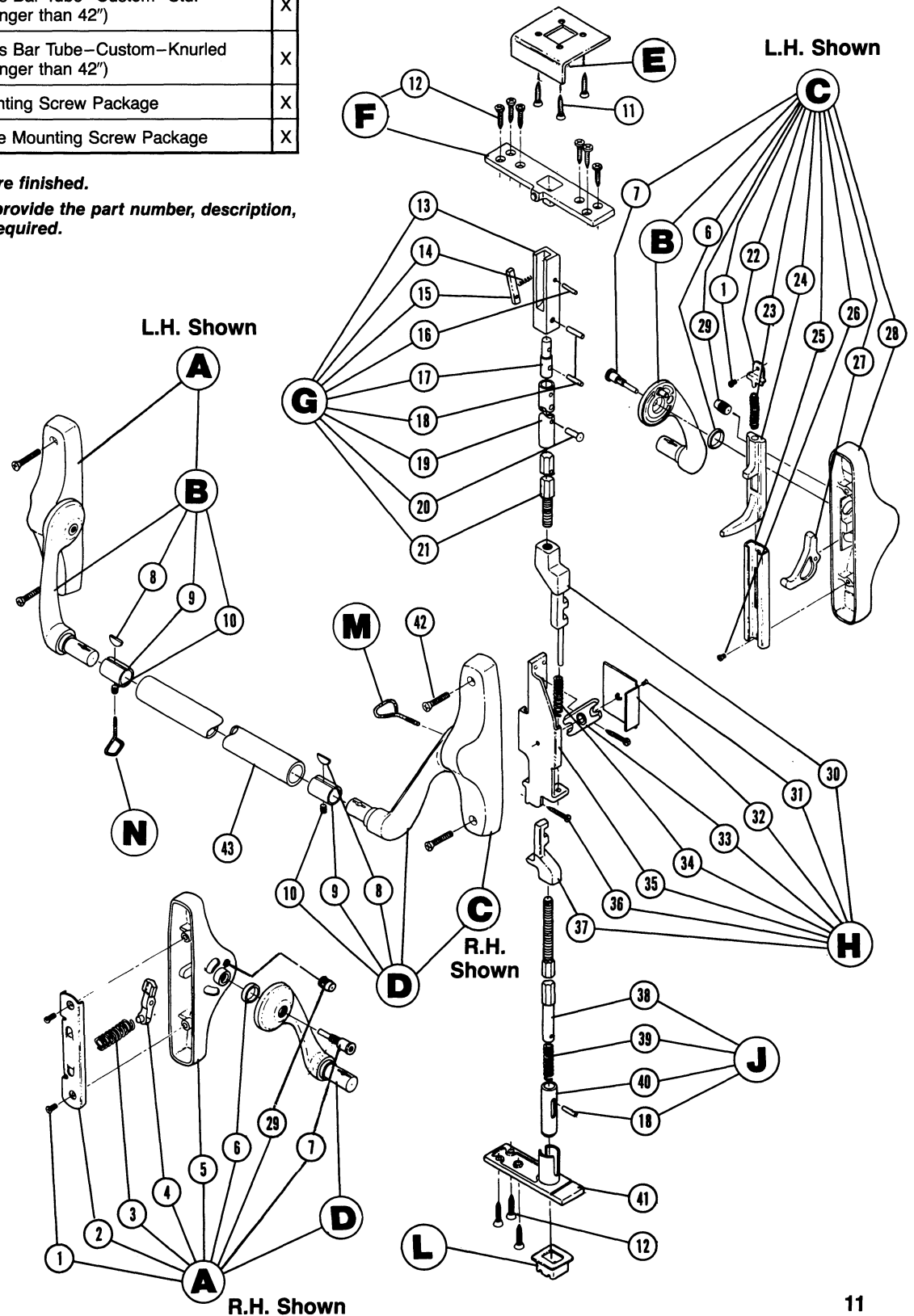
Note: For ordering parts provide the part number, description, total quantity and finish required.

Item	Qty.	Part No.	Description	
43	1	060360	Cross Bar Tube—Std.—36" Long	X
43	1	061360	Cross Bar Tube—Knurled—36" Long	X
43	1	060420	Cross Bar Tube—Std.—42" Long	X
43	1	061420	Cross Bar Tube—Knurled—42" Long	X
43	1	060500	Cross Bar Tube—Custom—Std. (longer than 42")	X
43	1	061500	Cross Bar Tube—Custom—Knurled (longer than 42")	X
*	1	900513	Mounting Screw Package	X
**	1	900252	Strike Mounting Screw Package	X

X Designates items that are finished.

Note: For ordering parts provide the part number, description, total quantity and finish required.

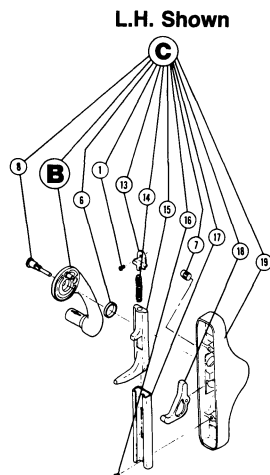
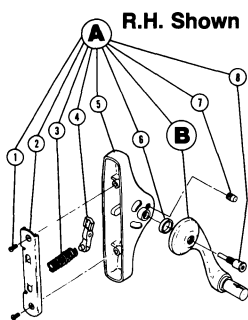
5547WDC Vertical Rod Device



Parts List—5575 Mortise Lock Device

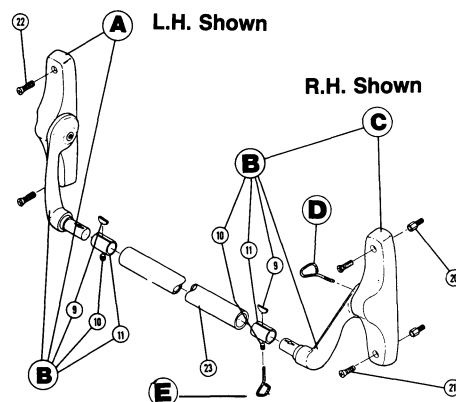
Item	Qty.	Part No.	Description	
A	1	101140	End Case Assy.—RH Bronze	X
A	1	101141	End Case Assy.—RH Aluminum	X
A	1	101142	End Case Assy.—RH St. Steel	X
A	1	101143	End Case Assy.—LH Bronze	X
A	1	101144	End Case Assy.—LH Aluminum	X
A	1	101145	End Case Assy.—LH St. Steel	X
B	1	101134	Lever Arm Assy.—LH Bronze	X
B	1	101135	Lever Arm Assy.—LH Aluminum	X
B	1	101136	Lever Arm Assy.—LH St. Steel	X
B	1	101137	Lever Arm Assy.—RH Bronze	X
B	1	101138	Lever Arm Assy.—RH Aluminum	X
B	1	101139	Lever Arm Assy.—RH St. Steel	X
C	1	109944	Center Case Assy.—RH Bronze	X
C	1	109945	Center Case Assy.—RH Aluminum	X
C	1	109946	Center Case Assy.—RH St. Steel	X
C	1	109947	Center Case Assy.—LH Bronze	X
C	1	109948	Center Case Assy.—LH Aluminum	X
C	1	109949	Center Case Assy.—LH St. Steel	X
D	1	103866	Reversing Package	
E	1	103868	Wedge Tite Package	
1	3	963094	#8-32 × 5/16" Long PPHMS—Thd. Form.	
2	1	959969	Back Plate	
3	1	960745	End Case Spring	
4	1	109826	Spring Lever Sub-Assy.	
5	1	959909	End Case—Bronze	X
5	1	959996	End Case—Aluminum	X
5	1	960638	End Case—St. Steel	X
6	2	959986	Bushing	
7	2	965827	Dog Screw	
8	2	960255	Retaining Screw	

Item	Qty.	Part No.	Description	
9	2	956520	Ring Wedge	
10	2	963851	5/16"-18 × 5/8" Soc. Hd. Set Screw	
11	2	965676	Tube Attaching Ring	
13	1	965301	Spring Anchor	
14	1	965300	Latch Release Spring	
15	1	969199	Lift Member	
16	1	963789	#8-32 × 1/4" FPHMS Undercut Thd. Form.	
17	1	965279	Lift Member Guide	
18	1	965299	Lift Member Lever	
19	1	965302	Center Case—Bronze	X
19	1	965303	Center Case—Aluminum	X
19	1	965304	Center Case—St. Steel	X
*20	2	966703	Hex Stud	
*21	2	963586	#12-24 × 5/8" OPHMS—Bronze	X
*21	2	963672	#12-24 × 5/8" OPHMS—St. Steel	X
*22	2	963122	#12-24 × 3/4" OPHMS—Bronze	X
*22	2	963123	#12-24 × 3/4" OPHMS—St. Steel	X
23	1	060275	Cross Bar Tube—Std.—27 1/2" Long	X
23	1	061275	Cross Bar Tube—Knurled—27 1/2" Long	X
23	1	060295	Cross Bar Tube—Std.—29 1/2" Long	X
23	1	061295	Cross Bar Tube—Knurled—29 1/2" Long	X
23	1	060360	Cross Bar Tube—Std.—36" Long	X
23	1	061360	Cross Bar Tube—Knurled—36" Long	X
23	1	060420	Cross Bar Tube—Std.—42" Long	X
23	1	061420	Cross Bar Tube—Knurled—42" Long	X
23	1	060500	Cross Bar Tube—Custom—Std. (longer than 42")	X
23	1	061500	Cross Bar Tube—Custom—Knurled (longer than 42")	X
*	1	900515	Mounting Screw Package	X



X Designates items that are finished.

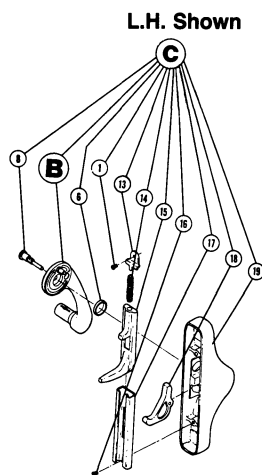
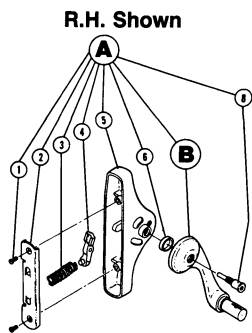
Note: For ordering parts provide the part number, description, total quantity and finish required.



Parts List-5575-F Mortise Lock Device

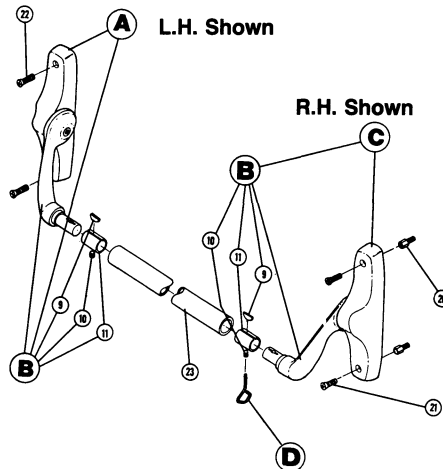
Item	Qty.	Part No.	Description	
A	1	102324	End Case Assy.-LH Bronze	X
A	1	102325	End Case Assy.-LH Aluminum	X
A	1	102326	End Case Assy.-LH St. Steel	X
A	1	102327	End Case Assy.-RH Bronze	X
A	1	102328	End Case Assy.-RH Aluminum	X
A	1	102329	End Case Assy.-RH St. Steel	X
B	1	102277	Lever Arm Assy.-LH Bronze	X
B	1	102278	Lever Arm Assy.-LH Aluminum	X
B	1	102279	Lever Arm Assy.-LH St. Steel	X
B	1	102274	Lever Arm Assy.-RH Bronze	X
B	1	102275	Lever Arm Assy.-RH Aluminum	X
B	1	102276	Lever Arm Assy.-RH St. Steel	X
C	1	109930	Center Case Assy.-RH Bronze	X
C	1	109931	Center Case Assy.-RH Aluminum	X
C	1	109932	Center Case Assy.-RH St. Steel	X
C	1	109936	Center Case Assy.-LH Bronze	X
C	1	109937	Center Case Assy.-LH Aluminum	X
C	1	109938	Center Case Assy.-LH St. Steel	X
D	1	103868	Wedge Tite Package	
1	3	963094	#8-32 x 5/16" Long PPHMS-Thd. Form.	
2	1	959969	Back Plate	
3	1	960745	End Case Spring	
4	1	109826	Spring Lever Sub-Assy.	
5	1	959909	End Case-Bronze	X
5	1	959996	End Case-Aluminum	X
5	1	960638	End Case-St. Steel	X
6	2	959986	Bushing	
8	2	960255	Retaining Screw	
9	2	956520	Ring Wedge	

Item	Qty.	Part No.	Description	
10	2	963851	5/16"-18 x 5/8" Soc. Hd. Set Screw	
11	2	965676	Tube Attaching Ring	
13	1	965301	Spring Anchor	
14	1	965300	Latch Release Spring	
15	1	969199	Lift Member	
16	1	963789	#8-32 x 1/4" FPHMS Undercut Thd. Form.	
17	1	965279	Lift Member Guide	
18	1	965299	Lift Member Lever	
19	1	965302	Center Case-Bronze	X
19	1	965303	Center Case-Aluminum	X
19	1	965304	Center Case-St. Steel	X
*20	2	966703	Hex Stud	
*21	2	963586	#12-24 x 5/8" OPHMS-Brass	X
*21	2	963672	#12-24 x 5/8" OPHMS-St. Steel	X
*22	2	963122	#12-24 x 3/4" OPHMS-Brass	X
*22	2	963123	#12-24 x 3/4" OPHMS-St. Steel	X
23	1	060275	Cross Bar Tube-Std.-27 1/2" Long	X
23	1	061275	Cross Bar Tube-Knurled-27 1/2" Long	X
23	1	060295	Cross Bar Tube-Std.-29 1/2" Long	X
23	1	061295	Cross Bar Tube-Knurled-29 1/2" Long	X
23	1	060360	Cross Bar Tube-Std.-36" Long	X
23	1	061360	Cross Bar Tube-Knurled-36" Long	X
23	1	060420	Cross Bar Tube-Std.-42" Long	X
23	1	061420	Cross Bar Tube-Knurled-42" Long	X
23	1	060500	Cross Bar Tube-Custom-Std. (longer than 42")	X
23	1	061500	Cross Bar Tube-Custom-Knurled (longer than 42")	X
*	1	900515	Mounting Screw Package	



X Designates items that are finished.

Note: For ordering parts provide the part number, description, total quantity and finish required.



Parts List-7500 Mortise Lock

Item	Qty.	Part No.	Description	
	1	031408	Replacement Lock Less Scalp Plate	
1	2	963080	#8-32 x 3/8" FPHMS	X
2	1	968766	Scalp Plate	X
3	1	968939	Metal Insert	
4	2	963954	#8-32 x 2" Fillister SHMS	
5	1	968667	Face Plate	
6	1	968668	Auxiliary Bolt	
7	1	968757	Latch Bolt Retractor	
8	1	963955	3/32" x 7/8" Drive-Lok Pin	
9	1	109350	Latch Bolt Sub-Assy.	
10	1	969089	Latch Return Spring	
11	1	968078	Auxiliary Bolt Spring Guide	
12	2	963712	#8-32 x 3/8" PPHMS	
13	1	964032	#8-32 x 3/16" PPHMS Type "23" Thd. Cutting	
14	1	968935	Auxiliary Bolt Spring	

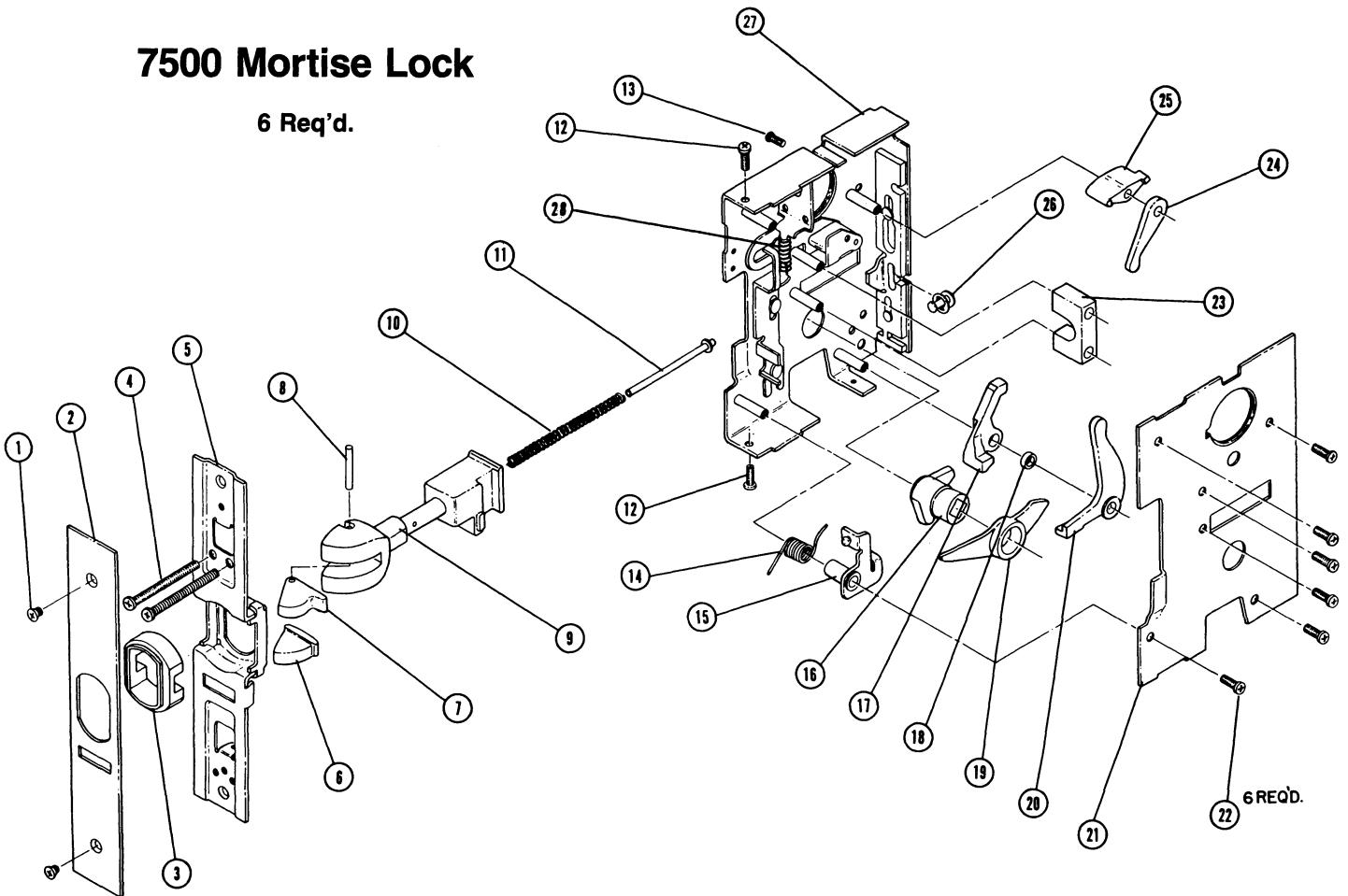
Item	Qty.	Part No.	Description
15	1	109347	Auxiliary Bolt Link Sub-Assy.
16	1	968765	Knob Cam
17	1	968763	Thumb Latch Lift
18	1	964034	Spacer
19	1	968773	Dead Locking Release
20	1	968943	Cross Bar Input Arm
21	1	968944	Housing Cover
22	6	963950	#8-32 x 3/8" PPHMS
23	1	968768	Stem Support
24	1	968761	Bolt Retractor
25	1	968762	Trim Lock Actuator
26	1	109478	NL Trim Lock Assy.
27	1	*	Lock Housing
28	1	968748	Dead Lock Spring
	*		Item 27 is not field replaceable.
1	1	900532	Mounting Screw Package

X Designates items that are finished.

Note: For ordering parts provide the part number, description, total quantity and finish required.

7500 Mortise Lock

6 Req'd.

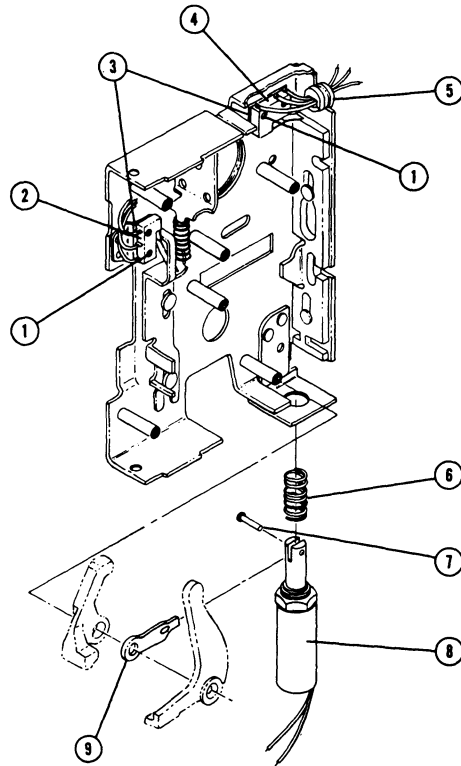


Parts List–E7500 Mortise Lock Fail Safe (F.S.)

Item	Qty.	Part No.	Description
1	4	963777	#2-56 × 3/8" PSHMS
2	1	109658	Sub-Miniature Switch Wiring Assy. (Bolt Monitor)
3	2	968770	Switch Insulator
4	1	109659	Sub-Miniature Switch Wiring Assy. (Trim Lock Monitor)
5	1	966504	Wire Strain Relief
6	1	968937	Solenoid Return Spring
7	1	963859	.088 × .375 Chicago Rivet
8	1	109020	Solenoid Assy.–12 VDC
8	1	109777	Solenoid Assy.–24 VDC
9	1	969104	Trim Lock Lever

Note:

1. Use all parts listed on 7500 Mortise Lock (Page 23) except Items #18 & 24, plus the items listed on this page.
2. Mechanical locks cannot be converted to E locks in the field.
3. Fail Safe Locks cannot be converted to Fail Secure.

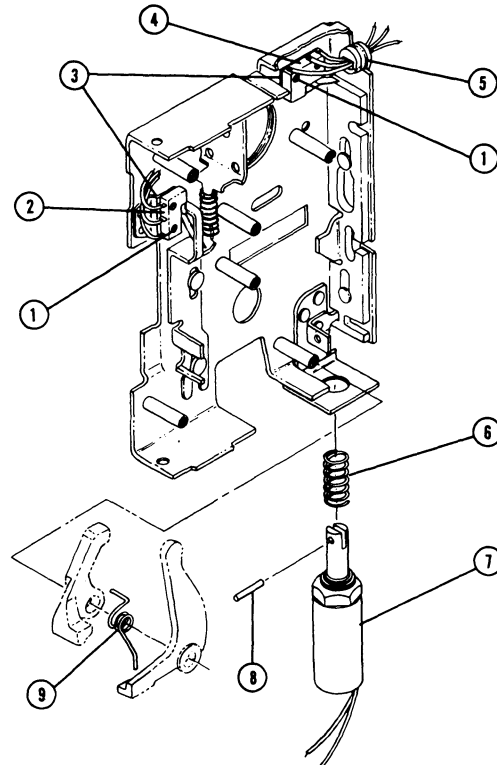


Parts List–E7500 Mortise Lock Fail Secure (F.S.E.)

Item	Qty.	Part No.	Description
1	4	963777	#2-56 × 3/8" PSHMS Thd. Cutting
2	1	109658	Sub-Miniature Switch Wiring Assy. (Bolt Monitor)
3	2	968770	Switch Insulator
4	1	109659	Sub-Miniature Switch Wiring Assy. (Trim Lock Monitor)
5	1	966504	Wire Strain Relief
6	1	969106	Solenoid Return Spring
7	1	109020	Solenoid Assy.–12 VDC
7	1	109777	Solenoid Assy.–24 VDC
8	1	964035	3/32" × 9/16" Roll Pin
9	1	969107	Thumb Lift Torsion Spring

Note:

1. Use all parts listed on 7500 Mortise Lock (Page 23) except Items #18 & 24, plus the items listed on this page.
2. Mechanical locks cannot be converted to E locks in the field.
3. Fail Secure Locks cannot be converted to Fail Safe.



55 Series Accident Hazard and Fire Exit Hardware Devices and 7500 Lock Product Maintenance

Although the 55 series Rim, Vertical and Mortise Lock devices are designed for many years of service and maintenance requirements are minimal, proper care at regular intervals will help to extend the service life of the product for many more years. This is especially important in extremely heavy traffic areas or adverse weather conditions where frequent operational inspection, cleaning and lubrication of working components is recommended.

Periodic Inspection:

1. Check the device and lock for smoothness of operation. Any binding or dragging may indicate worn parts or the need for lubrication.
2. Check the device and lock for full extension of the Latch Bolt ($\frac{3}{4}$ " Rim and Mortise) ($\frac{5}{8}$ " 5547-F & 5547WDC; $\frac{1}{2}$ " 5547) and full retraction during operation. Short extension may indicate binding, and insufficient retraction would indicate worn parts or rods out of adjustment. The Latch Bolt should also retract fully when dogged.

Appearance Care (as necessary):

Finishes are very durable and should not require

special attention for many years, although periodic cleaning may be recommended in high traffic areas or when devices are exposed to adverse climate conditions.

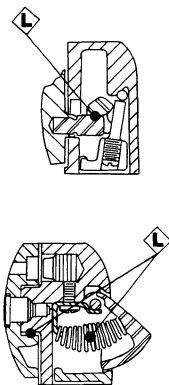
- A. Non-Lacquered Finishes (Bronze)
The device should be wiped with a small amount of vegetable oil on a soft cloth.
- B. Lacquered Finishes (Bronze and Aluminum)
Wiping with a soft damp cloth is sufficient to clean these devices.
- C. Stainless Steel Finishes
The device and lock may be cleaned with mild soap or non-abrasive cleaner.

Lubrication:

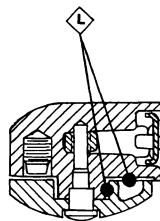
Devices and locks are lubricated before delivery. Periodic lubrication can add years to product life by inhibiting excessive wear of working parts. For normal to heavy traffic areas a good quality commercial grease is sufficient for proper device operation. For devices exposed to adverse weather conditions or an abnormally high exposure to dust and dirt, a graphite or silicone-based lubricant can be used at more frequent intervals.

Lubrication Diagrams

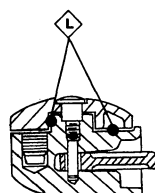
55 Rim Device
Center Case



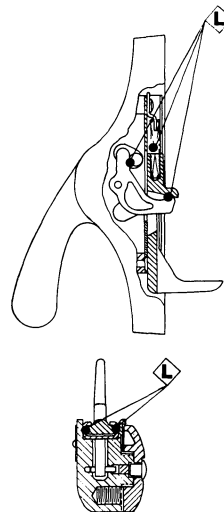
55 End Case
(Typical)



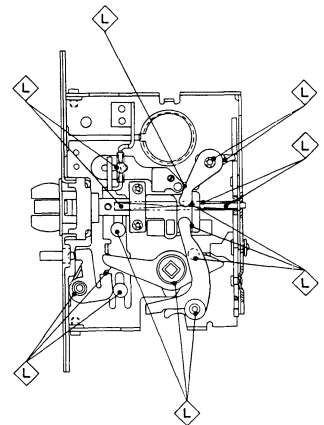
55 Vertical Device
Center Case



5575 Mortise Device
Center Case



7500 Mortise Lock



Lubricate Where Indicated By 