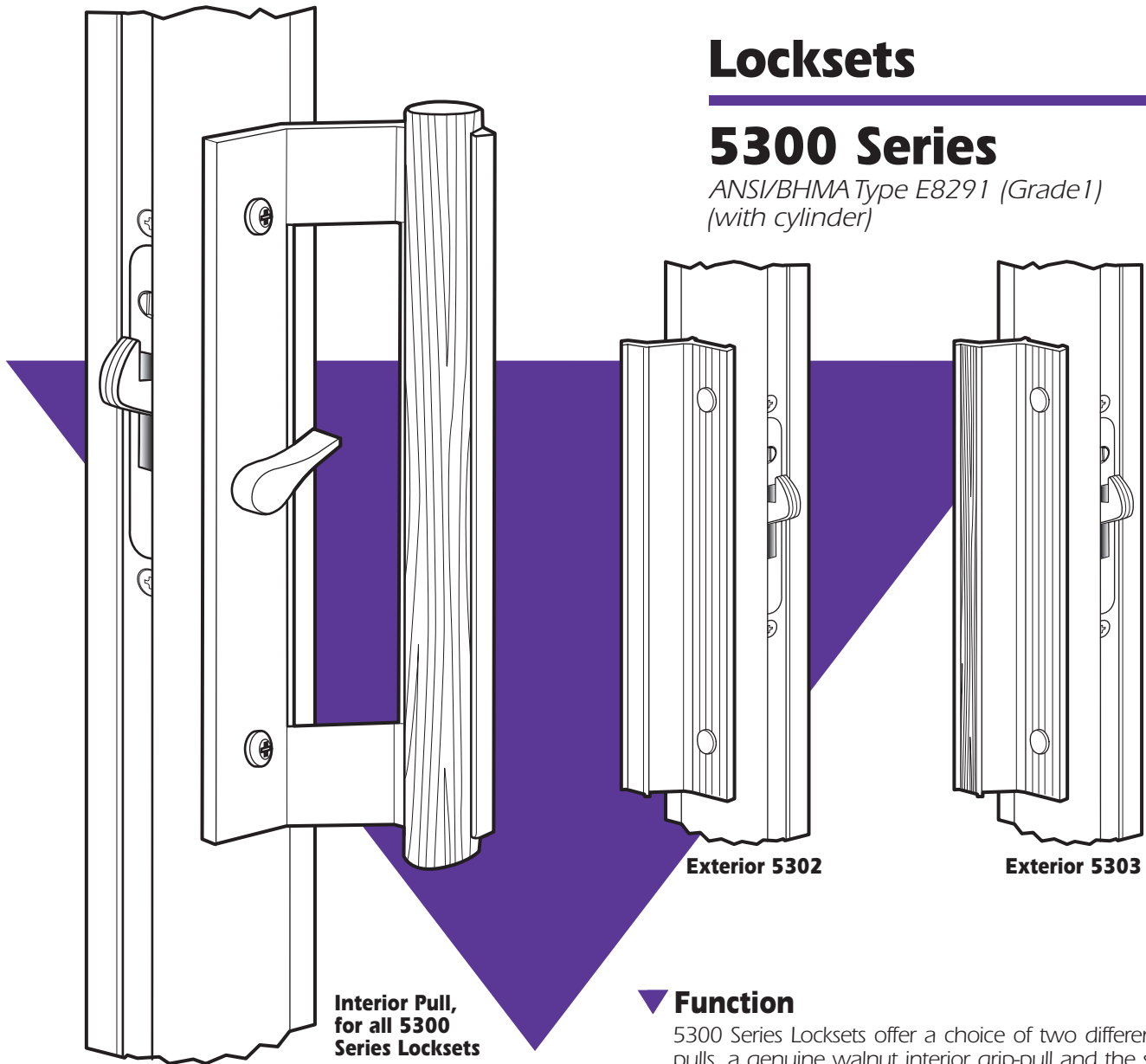


Locksets

5300 Series

ANSI/BHMA Type E8291 (Grade 1)
(with cylinder)



**Interior Pull,
for all 5300
Series Locksets**

Exterior 5302

Exterior 5303

▼ Function

5300 Series Locksets offer a choice of two different exterior pulls, a genuine walnut interior grip-pull and the security of the MS1847 deadlock.

▼ Anti-Lift Lock Mechanism

Basic MS1848-09 (radius ends) or MS1848-10 (square ends) is supplied. Stainless steel bolt is self-protecting, adjustable for reach.

▼ Inside Operation

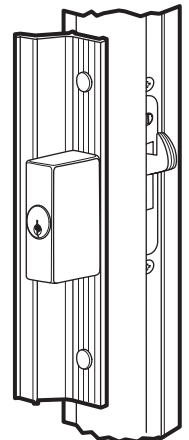
Thumbturn projects or retracts deadlock bolt.

▼ Trim Finish

All pulls are extruded aluminum with 628 (US28) Clear Anodized finish. For other finishes, contact factory.

▼ Cylinder Kit 5325

Any 5300 Series Lockset can be equipped with a cylinder block on the exterior pull. 5325 kits are available from stock with Adams Rite, Schlage or Weiser keyway cylinders. Installation of other makes may require modification to the cylinder, pull and/or cylinder block. Consult Adams Rite factory representative for assistance.



ADAMS RITE
MANUFACTURING CO.

260 Santa Fe Street
Pomona, California 91767
(800) 872-3267 Fax: (800) 232-7329
www.adamsrite.com

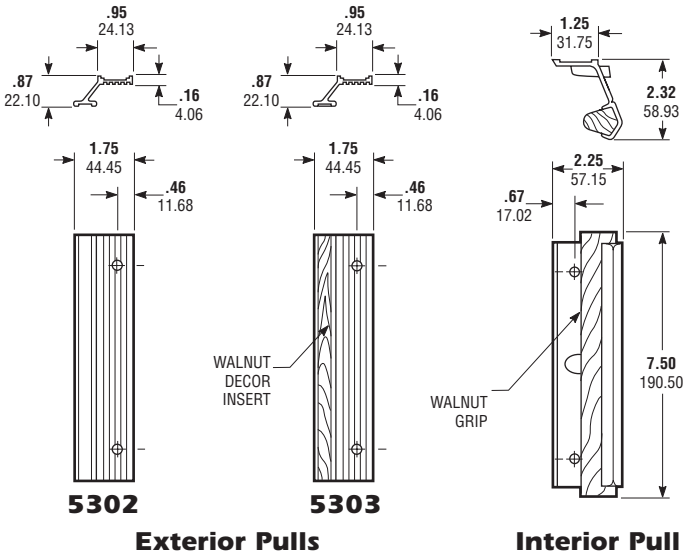


5300 Series Locksets

DIMENSIONS

INCHES
MILLIMETERS

Nominal, subject to tolerance extremes.

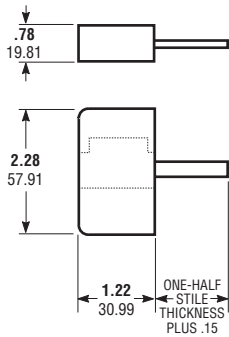


5302

5303

Exterior Pulls

Interior Pull



5325 Cylinder Kit

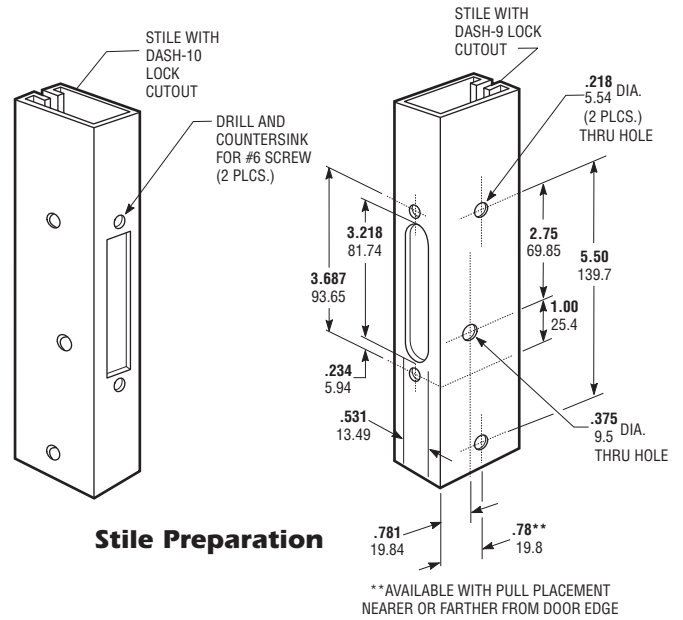
HOW TO ORDER

Specify quantity and the following information.
Order Cylinder Kit separately.
Specify Part No. 5325 plus Dash number for stile thickness.

Lockset Styling (Exterior Pull) 5302 Standard 5303 W/Walnut Insert	Lock Shape 09 Radius 10 Square	Stile Thickness (See Table)
--	---	---------------------------------------

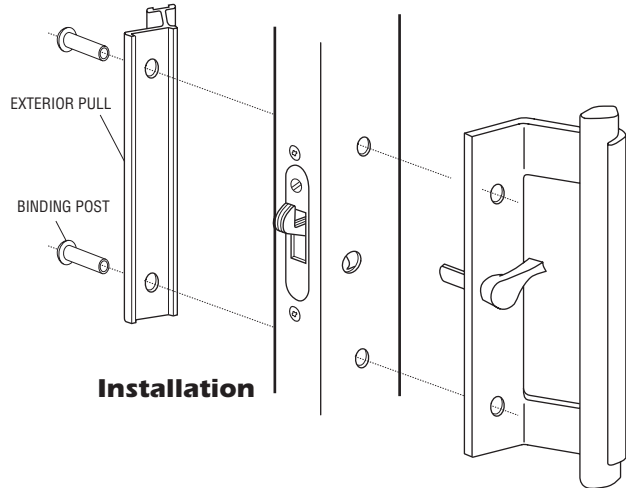
5302 - 09 - 01

INSTALLATION



Stile Preparation

**AVAILABLE WITH PULL PLACEMENT NEARER OR FARTHER FROM DOOR EDGE



Installation

FIRST DASH NO.		SECOND DASH NO.	
LOCK SHAPE		Indicates Stile Thickness	
DASH	THICKNESS	DASH	THICKNESS
-01	7/8 22.22	-06	1-1/2 38.10
-02	1 25.40	-07	1-5/8 41.27
-03	1-1/8 28.57	-08	1-3/4 44.45
-04	1-1/4 31.75	-09	1-7/8 47.62
-05	1-3/8 34.92	-10	2 50.80

OPTIONS

Exterior pull of 5303 has a walnut grain vinyl insert. Matching dummy sets available. Order 5325 cylinder kit separately.