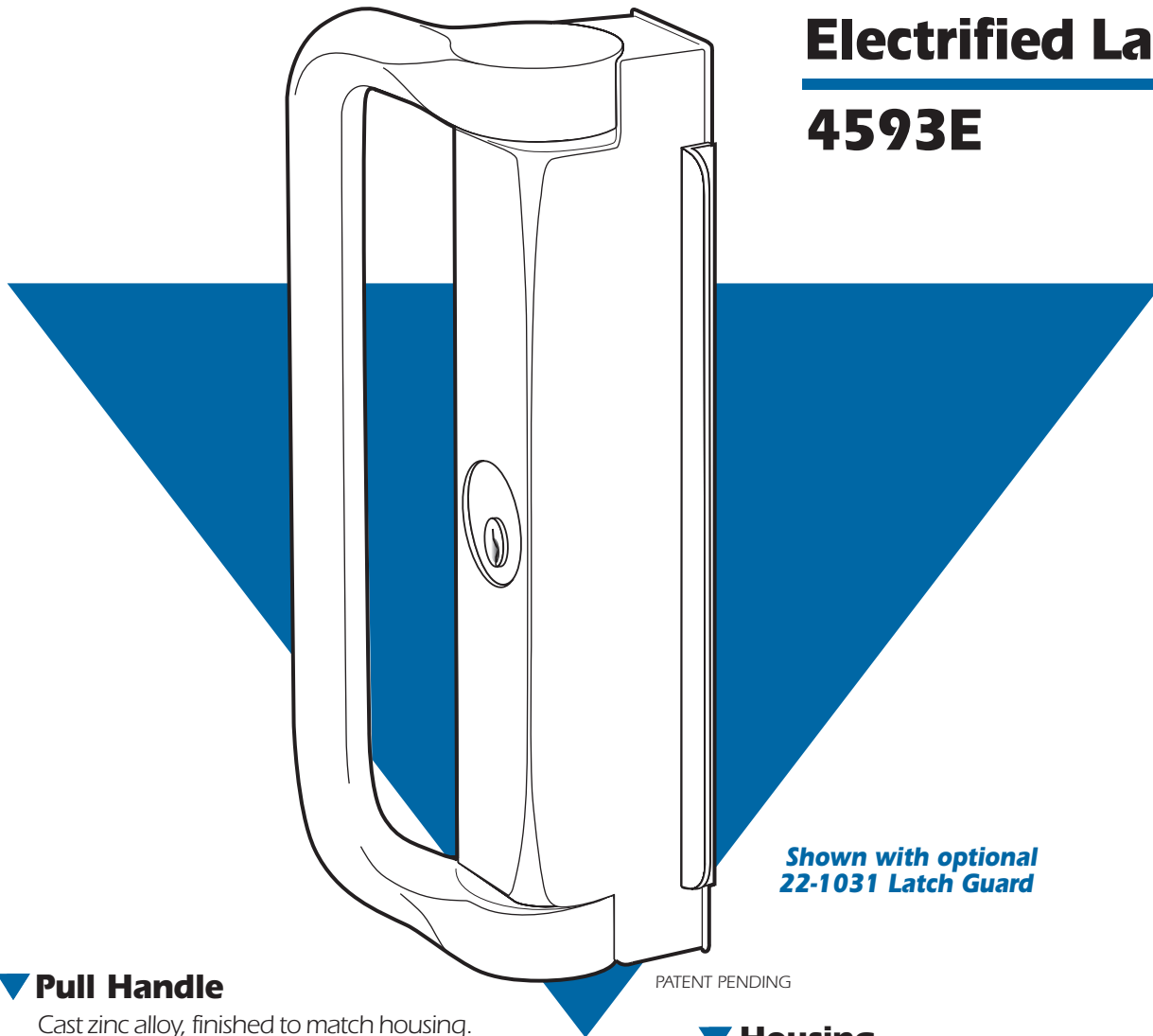


ELECTRIFICATION OPTIONS AND ACCESSORIES



AC-22

Electrified Latch Pull 4593E



*Shown with optional
22-1031 Latch Guard*

▼ Pull Handle

Cast zinc alloy, finished to match housing.

▼ Compatible Deadlatches

For use with any Adams Rite 4500 or 4700 Series Deadlatches and 8300 or 8400 Series Mortise Exit Device latches. Adaptable for either 5, 6 or 7-pin cylinders (not included) with MS cam.

▼ Operation

Pull handle 27° to unlock/unlatch. Available in two modes: lock after each activation or latch only. Key operation from outside unlocks the handle to activate the deadlatch. Mounted solenoid allows latch pull to be wired for integration with card readers, access pads or other access control devices. After a single use, the latch will revert to locked mode. Specify 24 VDC (.3 amps) or 12 VDC (.6 amps).

PATENT PENDING

▼ Housing

Measures approx. 10" x 3" x 2-1/4" deep. Zinc alloy with 121 Dark Bronze, 119 Black, 130 Silver or CHP Champagne Ritecoat finish. Houses steel operating mechanism. Only two bolts needed to install.

▼ Function

The 4593E Latch Pull offers ease of use and greater flexibility for narrow, medium and wide stile aluminum doors with Adams Rite 4500/4700 Deadlatches and 8300 or 8400 Exit Device latches. It is ideal for applications that require free access during the day and controlled access after hours. A simple pull of the handle unlatches the door. Handle is spring-loaded to return to center. Can be set to stay latched but unlocked or to lock after each use. Handle stays free-swinging in either mode.



ADAMS RITE
MANUFACTURING CO.

260 Santa Fe Street
Pomona, California 91767
(800) 872-3267 Fax:(800) 232-7329
www.adamsrite.com

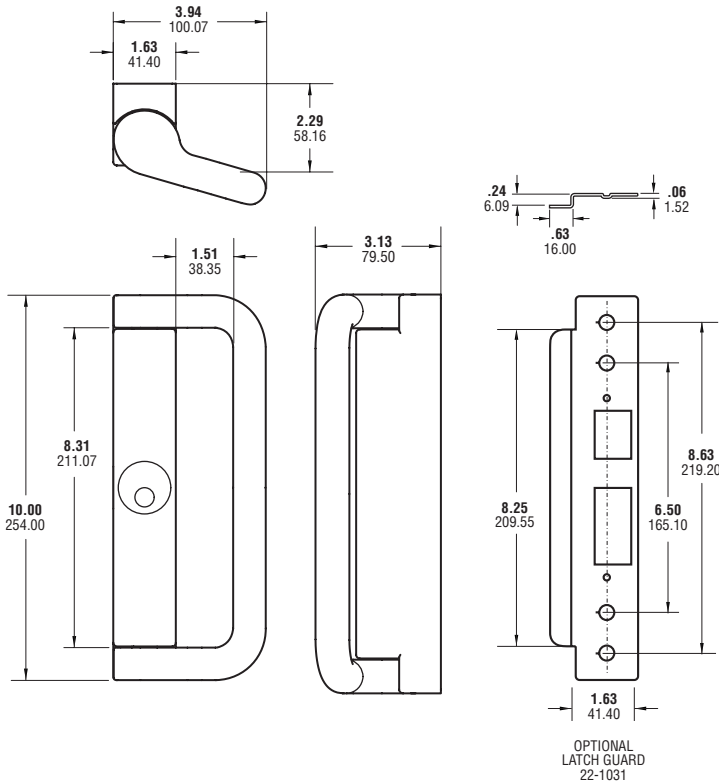


4593E Latch Pull

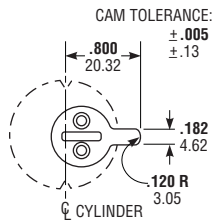
DIMENSIONS

INCHES
MILLIMETERS

Nominal, subject to tolerance extremes.

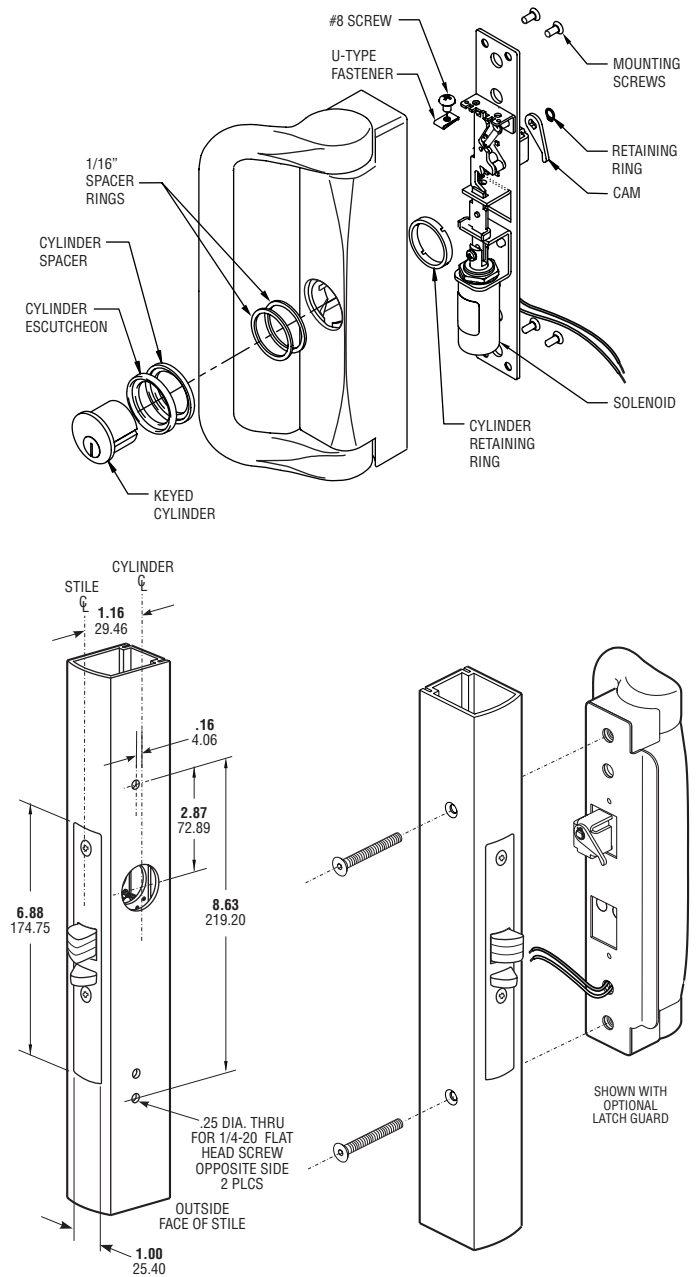


Cylinder Cam



4593E Latch Pull accepts any standard 1-5/32" diameter mortise cylinder with special MS® cam dimensioned as shown. Cylinders with MS® cams can be readily obtained from most cylinder manufacturers. See page SW-28 for cylinder make and trim ring information.

INSTALLATION



Stile Preparation

Installation

HOW TO ORDER

Specify quantity and the following information.
Order related hardware separately.

Door Hand
07 RHR
08 LHR

Voltage DC
12 12 volts
24 24 volts

4593E-07-130-12

Finish Painted to Match
130 628 Clear Anodized
121 313 Dark Bronze Anod.
119 335 Black Anodized
CHP Champagne

OPTIONS

Available in four Ritecoat finishes. Specify handing and voltage. Order 22-1031 Latch Guard separately (not applicable for center hung doors.)

Power Sources:

PS-1 Power Supply
4605 or 4606 Transformer with 4603 Rectifier
Electrification Kit: 91-0454-xx (Specify 12 VDC or 24VDC)

STANDARD PACKAGE

Individually boxed with installation instructions and mounting hardware. Shipping weight approx. 5.5 lbs.