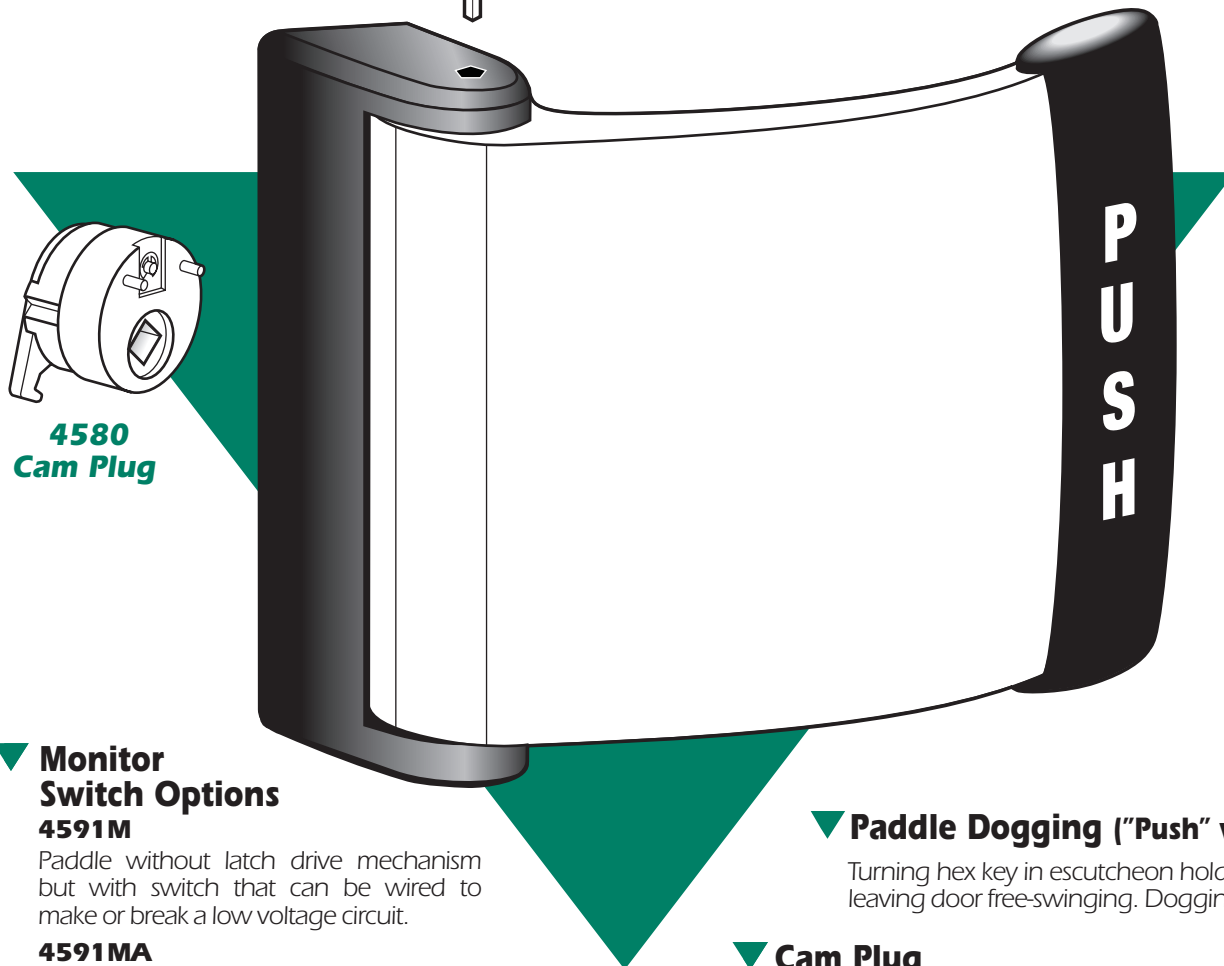




Deadlatch Paddle

4591



4580
Cam Plug

▼ Monitor Switch Options 4591M

Paddle without latch drive mechanism but with switch that can be wired to make or break a low voltage circuit.

4591MA

Same switch in a complete active paddle with latch drive.

91-0914 Monitor Switch Kit

Adds monitor switch function to any 4591.

▼ Paddle

Extruded aluminum, 628 Clear Anodized finish (US28). 313 Dark Bronze Anodized and 335 Black Anodized also available. US3 Bright Brass, US26 Bright Chrome or US26D Satin Chrome plating also available.

▼ Function

An alternative to knob or lever handles. Makes opening a latched door as natural as opening an unlatched one - just push or pull in the direction the door swings. Available for any Adams Rite Series 4500 or 4700 deadlatch (except 4750) or MS+1890 lock/latch.

▼ Paddle Dogging ("Push" versions only)

Turning hex key in escutcheon holds the paddle down, leaving door free-swinging. Dogging key provided.

▼ Cam Plug

Furnished for use with Series 4500 or 4700 latches. (Not used with MS+1890 lock/latch.) Secured in latch body by cylinder setscrew, plug is also rigidly tied to escutcheon by hardened steel pins.

▼ Escutcheon

Zinc alloy with Black Ritecoat finish. Houses steel operating mechanism. Secured to door stile with special binder posts that extend into the escutcheon to rigidly resist torque loads in any direction.

▼ Operation

Available in four modes: Push to left, Push to right, Pull to left and Pull to right. Can be reconfigured to any mode in the field. Dogging not to be installed in pull configuration.



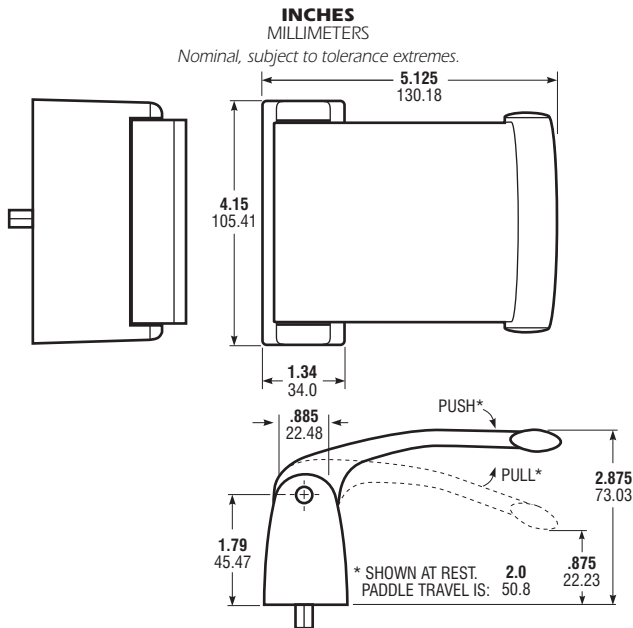
ADAMS RITE
MANUFACTURING CO.

260 Santa Fe Street
Pomona, California 91767
(800) 872-3267 Fax:(800) 232-7329
www.adamsrite.com

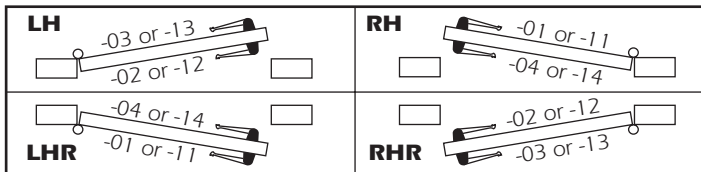


4591 Deadlatch Paddle

DIMENSIONS



FIRST DASH	FOR LATCH SERIES	OPERATION	USE:
-01	4500, 4700	PULL TO LEFT	Outside of left hand reverse door or inside of right hand.
-11	MS+1890		
-02	4500, 4700	PUSH TO LEFT	Outside of left hand door or inside of right hand reverse.
-12	MS+1890		
-03	4500, 4700	PULL TO RIGHT	Outside of right hand reverse door or inside of left hand.
-13	MS+1890		
-04	4500, 4700	PUSH TO RIGHT	Outside of right hand door or inside of left hand reverse.
-14	MS+1890		



HOW TO ORDER

Specify quantity and the following information.

Options*

- M** Paddle w/switch only
- MA** Active paddle w/switch

Operation

See Table above for Dash Number

4591 - 02 - 01 - 313

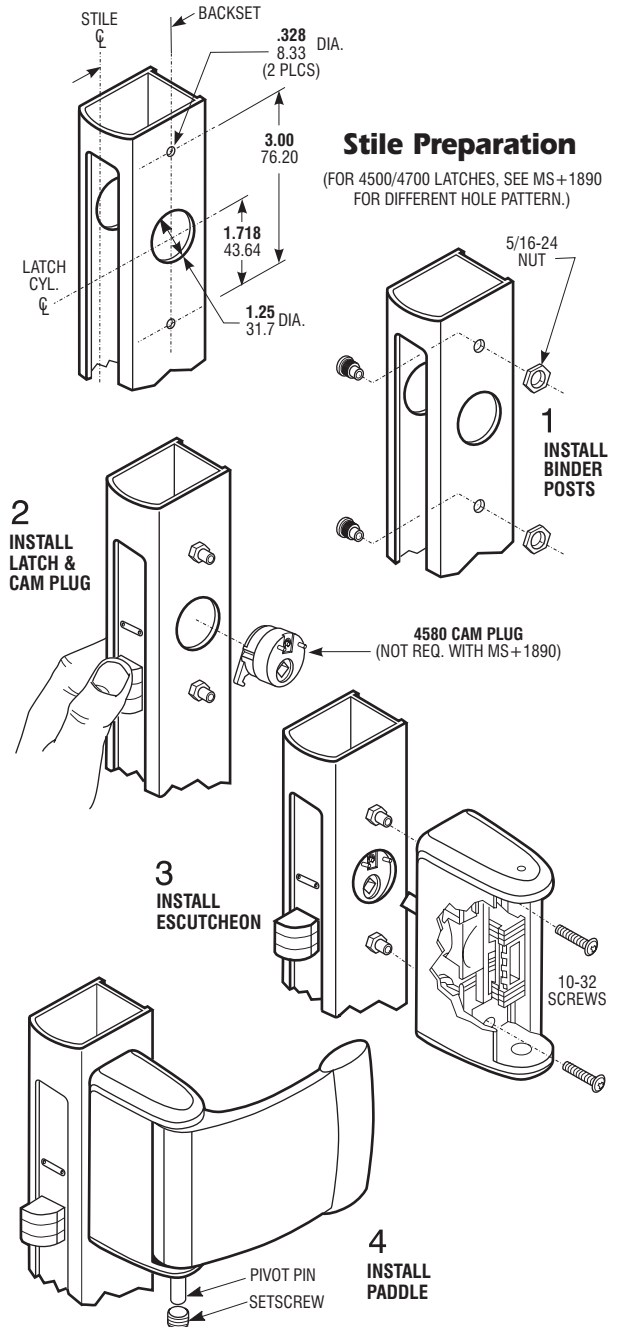
Door Thickness

- 00** 1-3/4"
- 01** 1-13/16" - 2"
- 02** 2-1/4" - 2-1/2"
- 03** 2-3/4" - 3"
- 04** 3-1/4"

Finish**

- 628** Clear Anodized
- 313** Dark Bronze Anod.
- 335** Black Anodized
- US3** Bright Brass
- US26** Bright Chrome
- US26D** Satin Chrome

INSTALLATION



OPTIONS

First dash number specifies operation (handing) and compatible latch. Second dash number can be used to specify non-standard units for doors thicker than 1-3/4". Also available: 4591M paddle/switch to actuate magnetic lock, alarm, etc. (No latch retracting mechanism.) 4591MA active paddle with switch and latch retracting mechanism. Two-point latch 4781 (page SW-23) uses a modified, but matching version of 4591.

STANDARD PACKAGE

Individually boxed with dogging hex key and mounting hardware. Units for 4500/4700 Series latches include cam plug. Shipping weight: 1-1/2 lbs.