

Flush Locksets

Including Deadlock

4189, 4190

*ANSI/BHMA Type E8292 (Grade 2)
(with cylinder)*



▼ Backset

Variable. Minimum: .625 in. Maximum: 1.28 in. (from face of lock to escutcheon and cylinder centerline).

▼ Anti-Lift Lock Mechanism

Basic MS1848-09 (radius ends) or MS1848-10 (square ends) is supplied. Stainless steel bolt is self-protecting, adjustable for reach.

▼ Escutcheons

Zinc Alloy, Satin Silver epoxy. For other finishes available, contact factory.

▼ Inside Operation

Vertical slide button projects or retracts deadlock bolt.

▼ Outside Operation (4190 Only)

Key in five-pin cylinder projects or retracts bolt. Other cylinder makes available on special order.

▼ Function

Projecting only 1/10" from the door stile on either side, 4189 and 4190 locksets allow doors to slide freely past other sliding units or stationary panels. There are no projecting handles to tear draperies or prevent the door from being "stacked" in a wall pocket. 4190 has a flush mounted cylinder outside. Not recommended for wood doors.

▼ 4413 Interior Pull

The 4413 provides a surface-mounted grip-type pull, where desired, on doors already equipped with 4189 or 4190 flush hardware. Mounting is by two machine screws and requires no alteration to door or flushlock. Attractive sheer-line design blends perfectly with the trim appearance of the flush escutcheons, yet offers a generous hand grip for convenience. Material is ABS plastic in graphite grey color.

▼ Stile Thickness

May be 1" to 1-3/8". Available on special order at extra cost for stiles 1-3/8" thick or greater.

▼ Stile Depth

Minimum clear depth: Backset plus 9/16".

▼ Operation

Both locksets operated from inside by a simple up or down movement of a slide button, set flush in the deeply recessed finger pull. The lock mechanism (latching action unavailable) is the time-tested and field-proven Adams Rite MS1847 and features the adjustable, self-protecting bolt. Matching "dummy set" also available (4195).



ADAMS RITE
MANUFACTURING CO.

260 Santa Fe Street
Pomona, California 91767
(800) 872-3267 Fax: (800) 232-7329
www.adamsrite.com

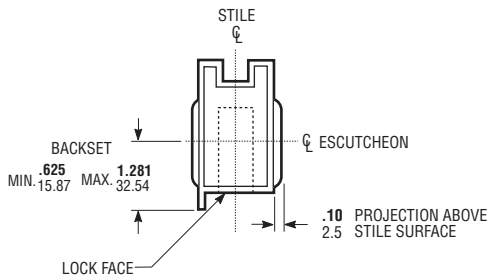
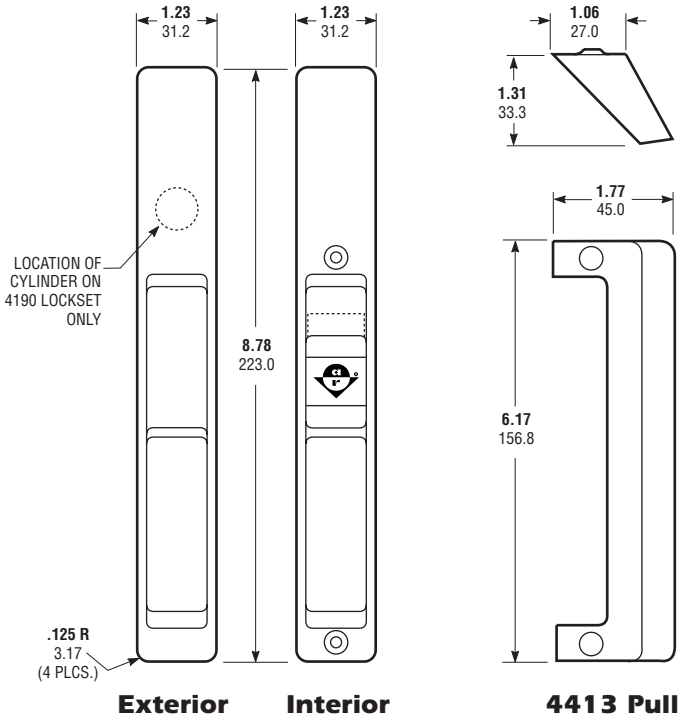


4189, 4190 Flush Locksets

DIMENSIONS

INCHES
MILLIMETERS

Nominal, subject to tolerance extremes.



Escutcheons

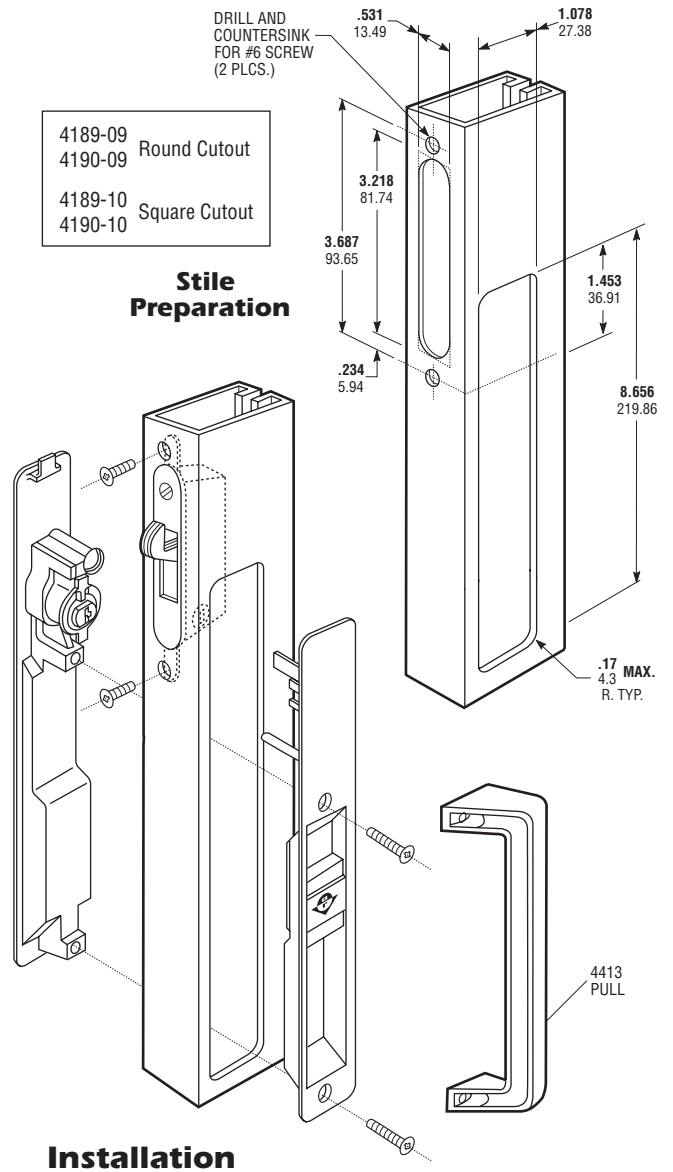
HOW TO ORDER

Specify quantity and the following information.
Order related hardware separately.

Lockset Exterior 4189 w/o Cylinder 4190 w/Cylinder	Lock Face 09 Radius 10 Square	Stile Thickness 01 1" - 1-3/8" 02 1-7/16" - 1-5/8" 03 1-11/16" - 2"
---	--	---

4189 - 09 - 01

INSTALLATION



OPTIONS

Specify 4190 if outside key-cylinder operation required; 4189 if not. Add Dash number -10 for square-ended lock face or -09 for round end. Cylinder-only operation (one side) available: 4198 has standard mounting screws, 4196 has non-removable screws. Dummy set 4195 also available. Order 4413 Grip Pull separately.

STANDARD PACKAGE

4190, with cylinder, and 4189, without cylinder, are each complete packages. Shipped individually boxed with mounting screws. 4190 includes two keys. Weight: 1-1/4 lbs.