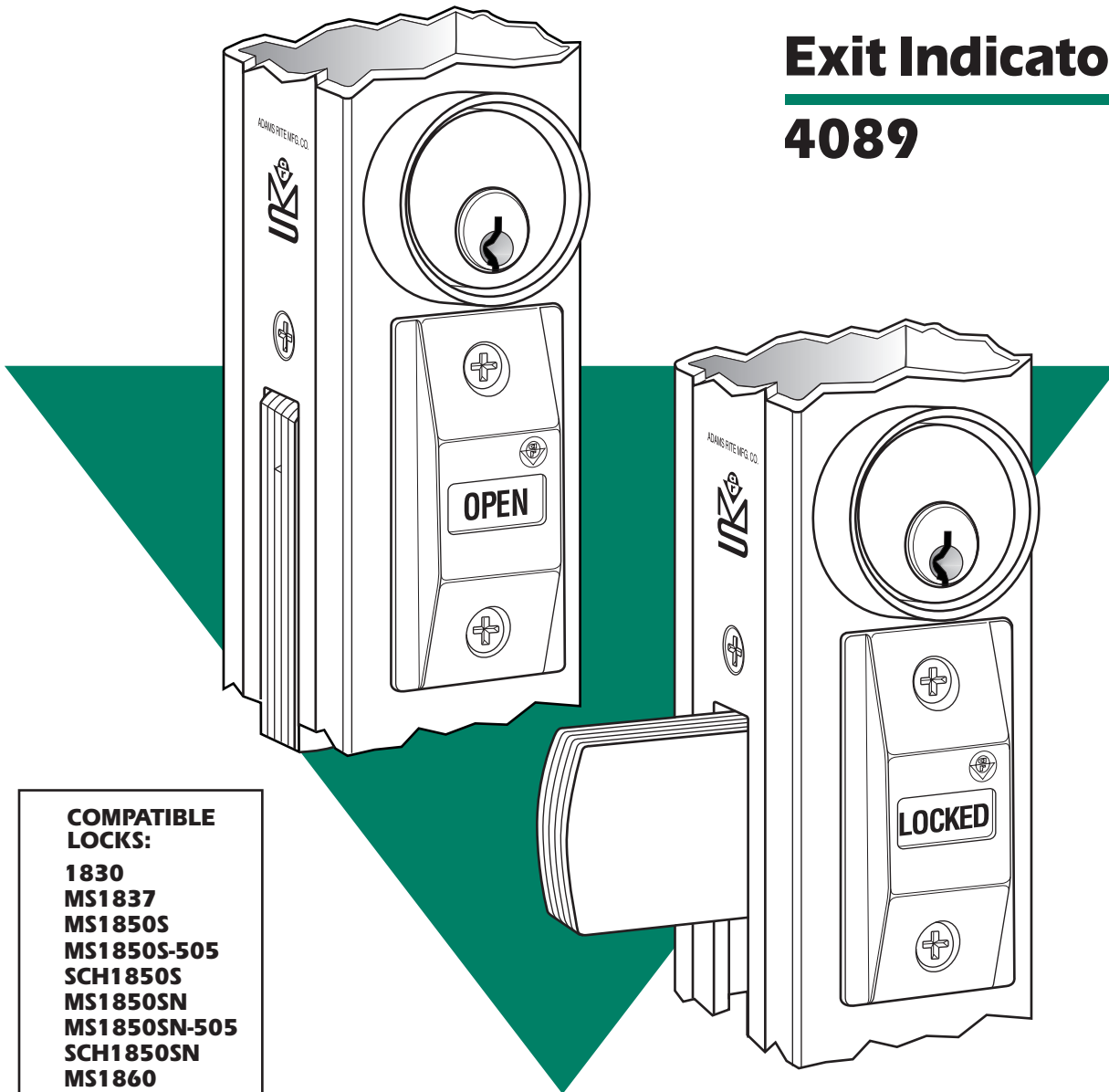


## Exit Indicator 4089



### COMPATIBLE LOCKS:

**1830**  
**MS1837**  
**MS1850S**  
**MS1850S-505**  
**SCH1850S**  
**MS1850SN**  
**MS1850SN-505**  
**SCH1850SN**  
**MS1860**  
**1870**  
**MS+1890**

### ▼ Function

Provides unmistakable notification of an exit door's "locked" or "open" condition. Under many local building safety codes, this allows the use, in certain occupancies, of a security deadlock instead of less secure panic devices. It includes a permanent adhesive header sign: "THIS DOOR TO REMAIN UNLOCKED DURING BUSINESS HOURS." That wording is according to Uniform Building Code. Alternate sign available for NFPA and other local codes reads: "THIS DOOR TO REMAIN UNLOCKED WHEN THE BUILDING IS OCCUPIED."

### ▼ Message Panel

"OPEN" appears in black letters on white background when lock is retracted and "LOCKED" in red letters when actuated. Also available with red (locked) and green (unlocked) wordless panels.

### ▼ Material/Finish

Indicator escutcheon is zinc alloy with 130 (Satin Aluminum) Ritecoat finish. See page SW-29 for other Ritecoat finishes. Special plated finishes also available. Header sign is clear aluminum match with black letters.



**ADAMS RITE**  
MANUFACTURING CO.

260 Santa Fe Street  
 Pomona, California 91767  
 (800) 872-3267 Fax: (800) 232-7329  
[www.adamsrite.com](http://www.adamsrite.com)

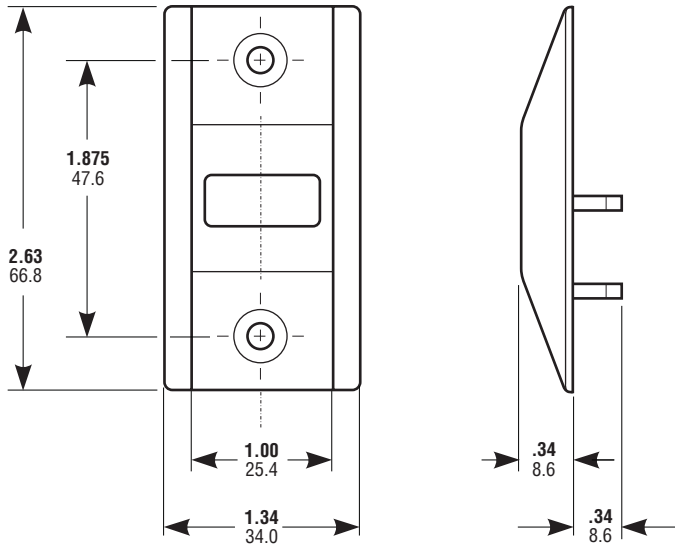


# 4089 Exit Indicator

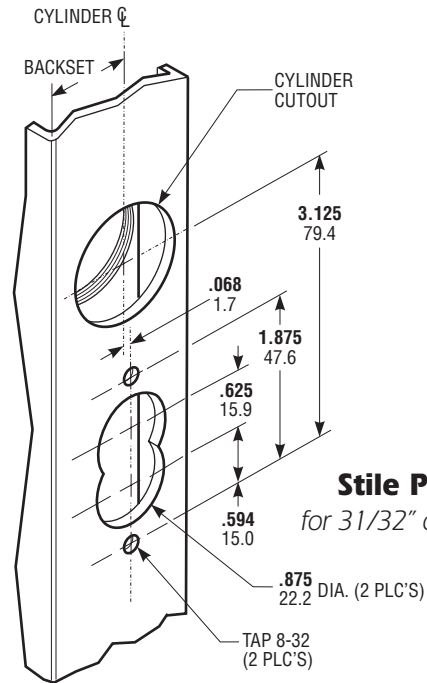
## DIMENSIONS

INCHES  
MILLIMETERS

Nominal, subject to tolerance extremes.

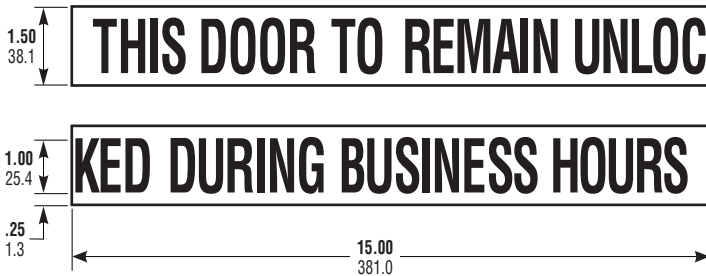


## INSTALLATION

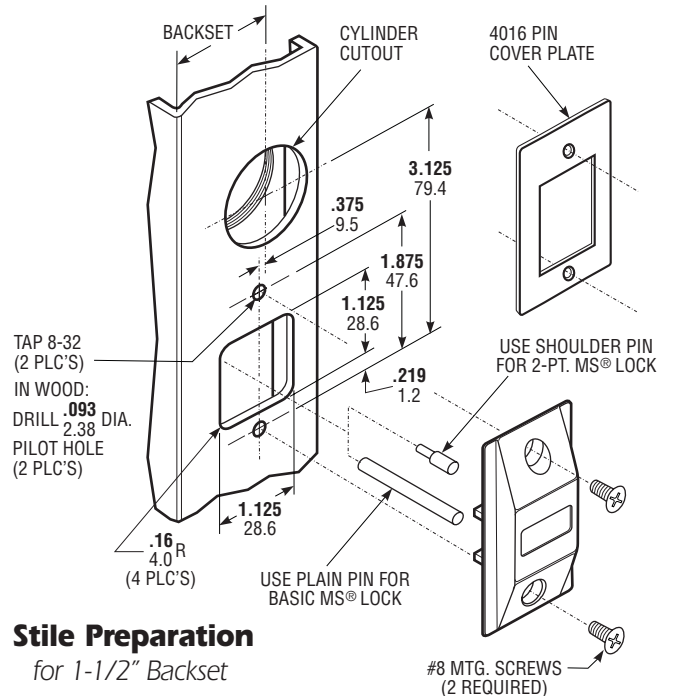


### Stile Preparation for 31/32" or 1-1/8" Backset

HEADER SIGN - IN TWO PIECES\*



\* This sign correct under Uniform Building Code.  
 For NFPA wording "THIS DOOR TO REMAIN UNLOCKED WHEN THE BUILDING IS OCCUPIED" order sign 20-0256 separately.



### Stile Preparation for 1-1/2" Backset

## HOW TO ORDER

Specify quantity and the following information.

### Options

- 00 Standard - 1-3/4" Door
- 01 For Inverted Lock
- 02 For Red/Green wordless panels
- 20 For doors up to 2-1/2"  
(Standard unit fits 1-3/4" doors)

For use with  
 4016 3-Point.  
 31/32" - 1-1/8" Backset  
 for standard stiles.

**4089-01 P**

Specify Ritecoat color if other than standard.  
 Order NFPA Sign separately. Specify 20-0256.

## OPTIONS

Standard unit fits 1-3/4" doors. Specify for thicker doors up to 2-1/2". Specify wordless panels, inverted lock, other than standard Ritecoat finish or NFPA sign.

## STANDARD PACKAGE

Shipping weight: 1/2 lb.