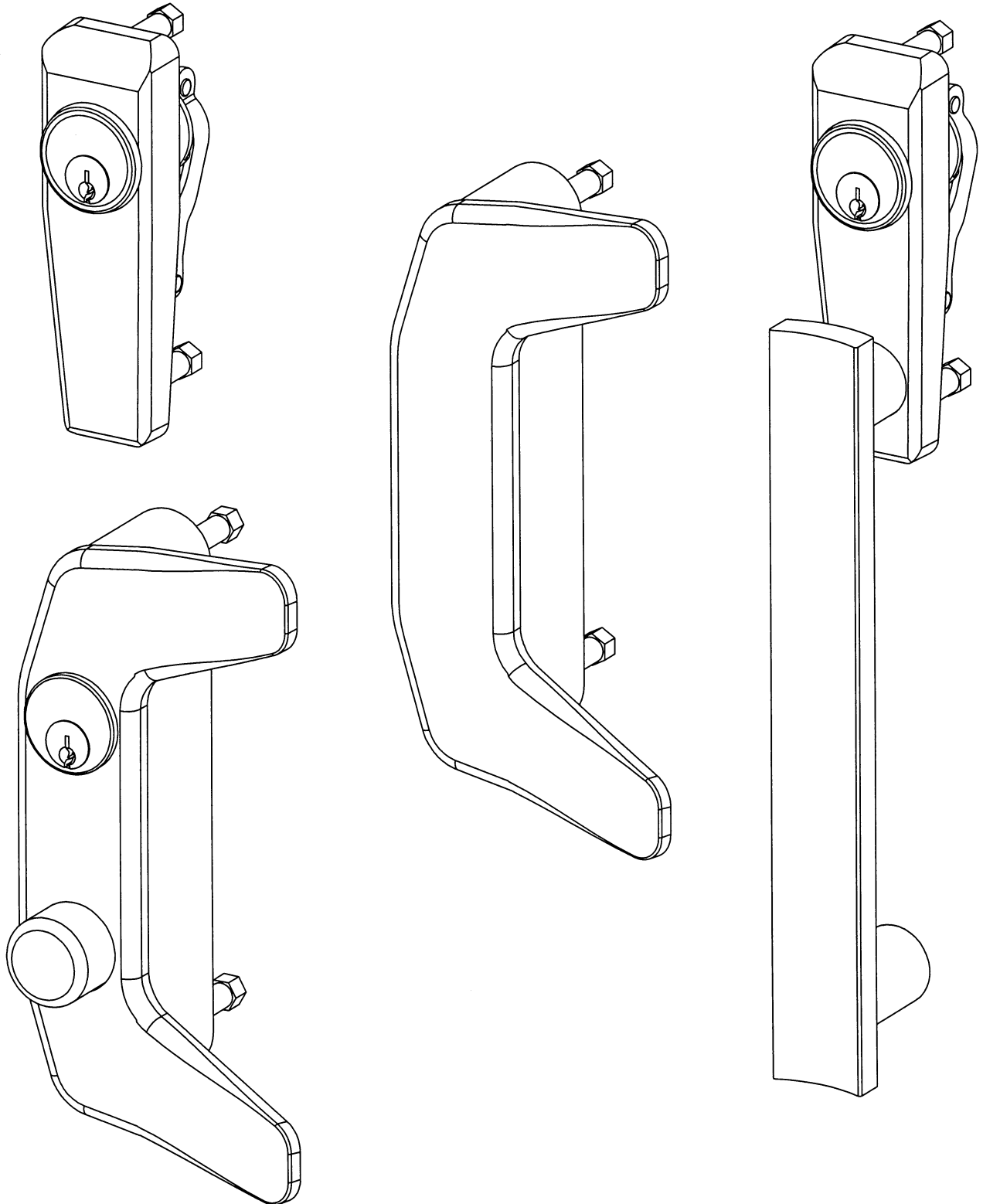


# VON DUPRIN

## PARTS MANUAL

AUGUST 1999

### 333 & 3308 SERIES TRIM



# INDEX

---

## General Information

How to Order .....	2
Finishes .....	2

## 333 Series Trim

DT Trim .....	3
NL-TP Trim .....	4
TP-BE Trim .....	5

## 337 Series Trim

DT Trim .....	3
NL-TP Trim .....	4
TP-BE Trim .....	5

## SS333 Series Trim

NL Trim .....	6
TP Trim .....	6

## 334 Series Trim

NL-OP Trim .....	7
------------------	---

## 3308 Series Trim

DT Trim - Rim & Vert. (Metal & Wood) ....	8
NL Trim - Rim (Metal & Wood) .....	9

# INTRODUCTION

---

This Manual contains a listing of replaceable parts and assemblies for the 333 & 3308 Series Trim.

## HOW TO ORDER

---

Some parts are sold separately. Other items are available as part of an assembly. For the best possible service when ordering replacement parts or assemblies, please provide the following information:

- Part or Assembly number
- Description
- Quantity needed
- Finish desired (if available finished)
- Date of original purchase, if known

Exit Device Division  
Ingersoll-Rand Company  
2720 Tobey Drive  
Indianapolis, Indiana 46219  
Phone: (800) 999-0408  
Fax: (800) 999-0328

## PART NUMBER CHANGES

---

This manual reflects the product as sold in August 1999. Because of changes to the product and/or manufacturing process, part numbers can change.

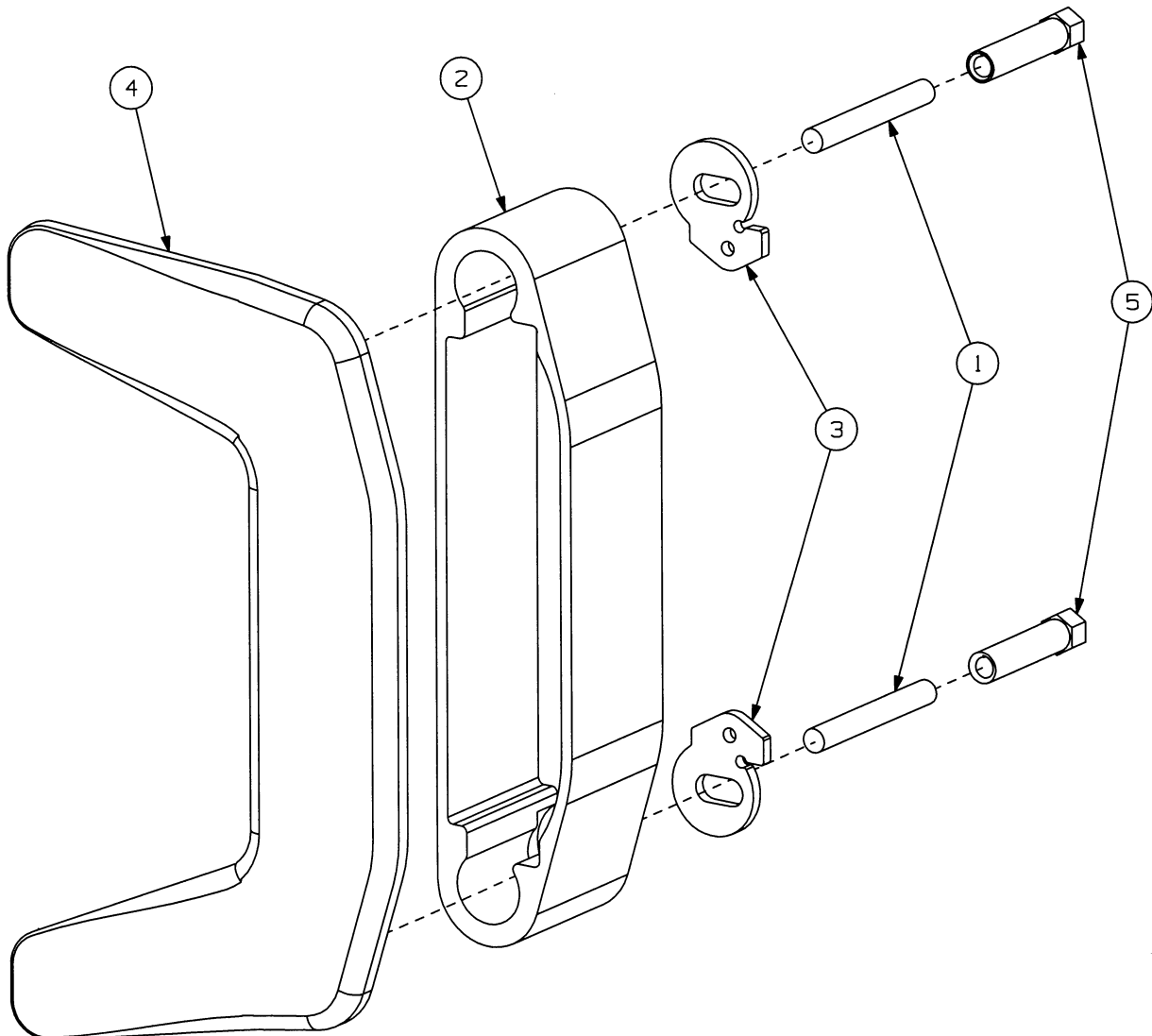
## TRIM FINISHES

U.S. Std. Reference	BHMA Reference	Description
US3	605	Polished Brass
US4	606	Dull Brass
US10	612	Dull Bronze
US26	625	Polished Chrome
US26D	626	Dull Chrome
US28	628	Anodized Alum. (Clear)
US32D	630	Satin Stainless Steel
313AN	710	Anodized Alum. (313) Dark Bronze
US19	711	Anodized Alum. (Black)

# 333DT & 337DT TRIM

ITEM NO.	QTY	PART NO.	DESCRIPTION	FINISH
1	2	963905	1/4-20 X 2 Socket Set Screw - 333/337	
2	1	966507	333/337 Trim Housing	X
3	2	966509	Housing Guide Plate - 333/337	
4	1	966801	Pull Grip (DT) - 333/337	X
5	2	971614	Sex Bolt Extension - 334/333/337	

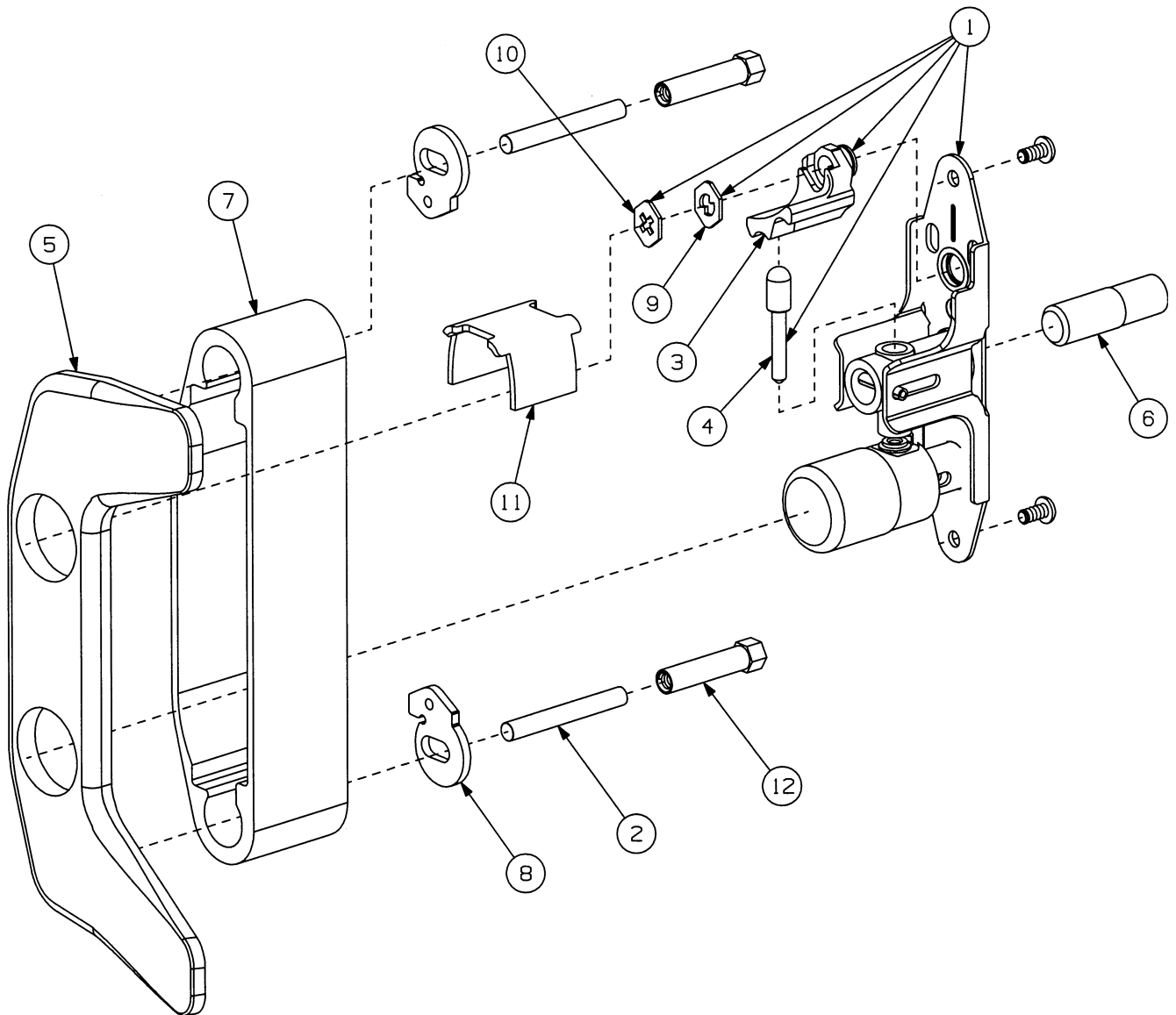
X DESIGNATES FINISHED ITEMS AND FINISH MUST BE SPECIFIED WHEN ORDERING



# 333NL-TP & 337NL-TP TRIM

ITEM NO.	QTY	PART NO.	DESCRIPTION	FINISH
1	1	104777	Backplate - 333/337NL-TP	X
2	2	963905	1/4-20 X 2 Socket Set Screw - 333/337	
3	1	966394	Cylinder Cam - 333 Trim	
4	1	966400	Actuator Pin - 333 Trim	
5	1	966428	Pull Grip - 333/337	X
6	1	966453	Bolt Actuator Screw - 333 Trim	
6	1	967139	Bolt Actuator Screw - 337 Trim	
7	1	966507	Trim Housing - 333/337	X
8	2	966509	Housing Guide Plate - 333/337	
9	1	966664	TP Adaptor Cam - 333/337	
10	1	966975	NL Adaptor Cam - 333/337	
11	1	967188	Backplate Support - 333/337	
12	2	971614	Sex Bolt Extension - 334/333/337	

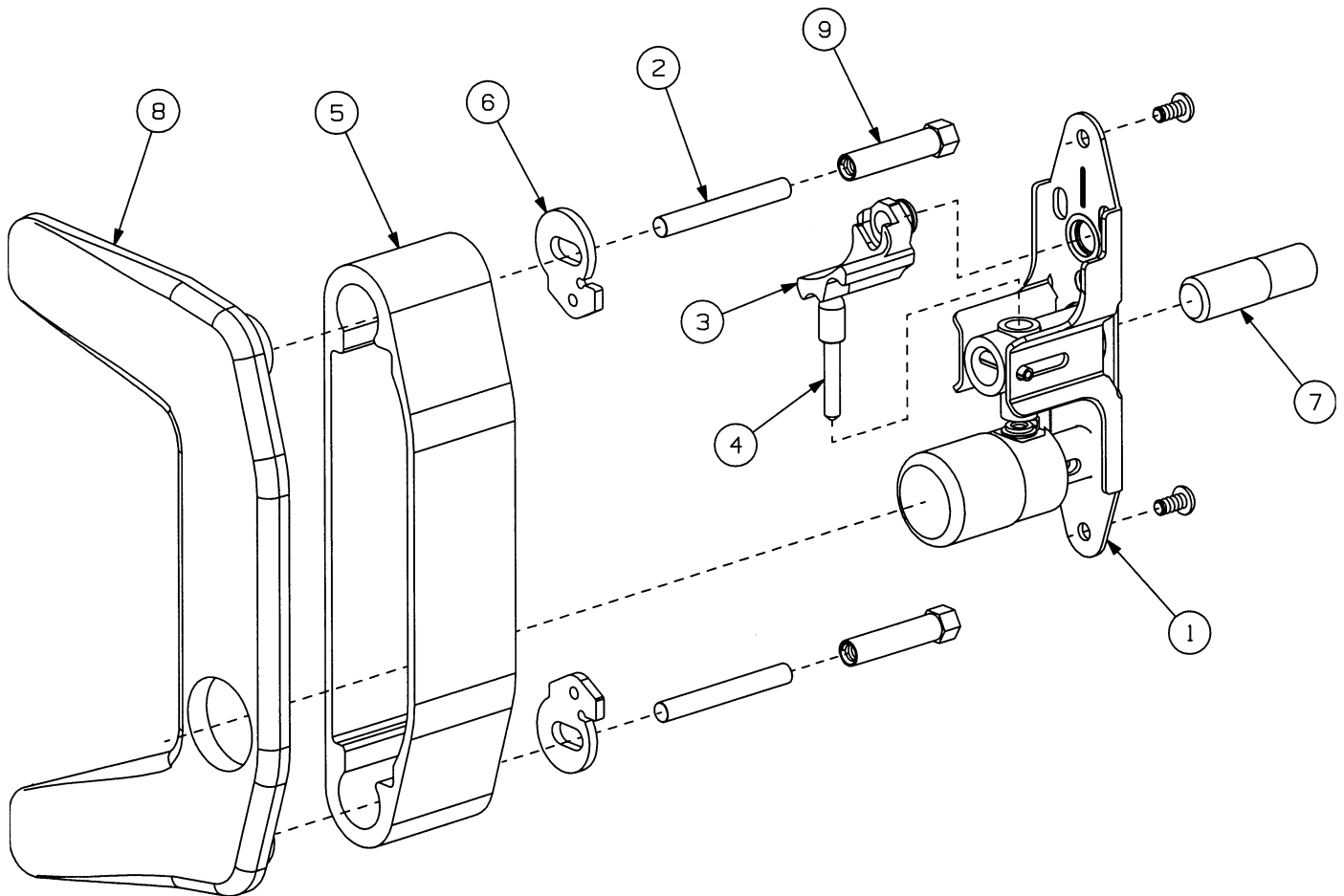
X DESIGNATES FINISHED ITEMS AND FINISH MUST BE SPECIFIED WHEN ORDERING



# 333TP-BE & 337TP-BE TRIM

ITEM NO.	QTY	PART NO.	DESCRIPTION	FINISH
1	1	104777	Backplate - 333/337NL-TP	X
2	2	963905	1/4-20 X 2 Socket Set Screw - 333/337	
3	1	966394	Cylinder Cam - 333 Trim	
4	1	966400	Actuator Pin - 333 Trim	
5	1	966507	Trim Housing - 333/337	X
6	2	966509	Housing Guide Plate - 333/337	
7	1	967139	Bolt Actuator Screw - 337 Trim	
7	1	966453	Bolt Actuator Screw - 333 Trim	
8	1	969048	Pull Grip (BE) LHR - 333/337	X
8	1	969051	Pull Grip (BE) RHR - 333/337	X
9	2	971614	Sex Bolt Extension - 334/333/337	

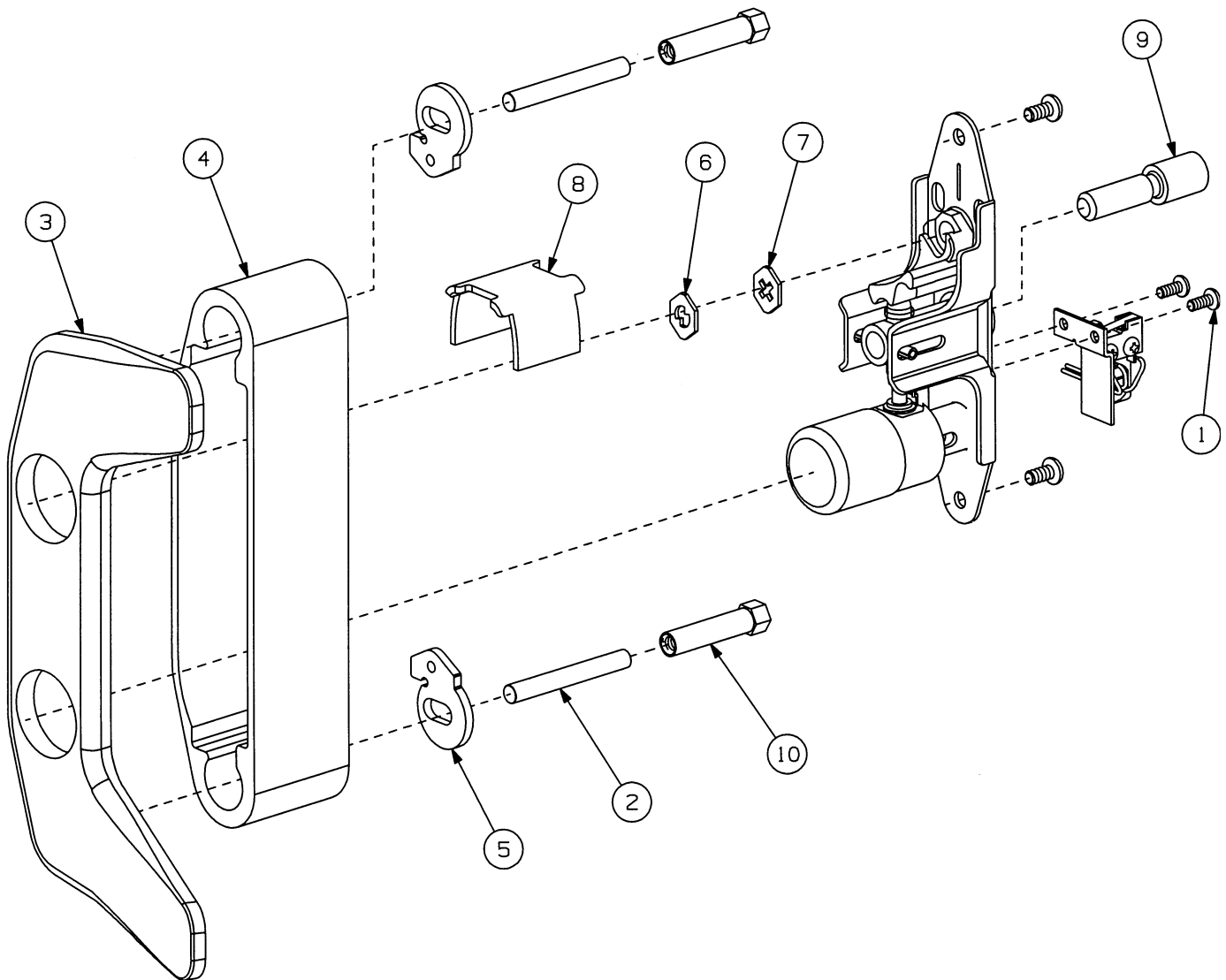
X DESIGNATES FINISHED ITEMS AND FINISH MUST BE SPECIFIED WHEN ORDERING



# SS333NL & SS333TP TRIM

ITEM NO.	QTY	PART NO.	DESCRIPTION	FINISH
1	2	963712	8-32 X 3/8" PPHMS Thd. Forming	
2	2	963905	1/4-20 X 2 Socket Set Screw - 333/337	
3	1	966428	Pull Grip - 333/337	X
4	1	966507	Trim Housing - 333/337	X
5	2	966509	Housing Guide Plate - 333/337	
6	1	966664	TP Adaptor Cam (SS333TP Only)	
7	1	966975	NL Adaptor Cam (SS333NL Only)	
8	1	967188	Backplate Support - 333/337	
9	1	967689	Bolt Actuator Screw	
10	2	971614	Sex Bolt Extension - 334/333/337	

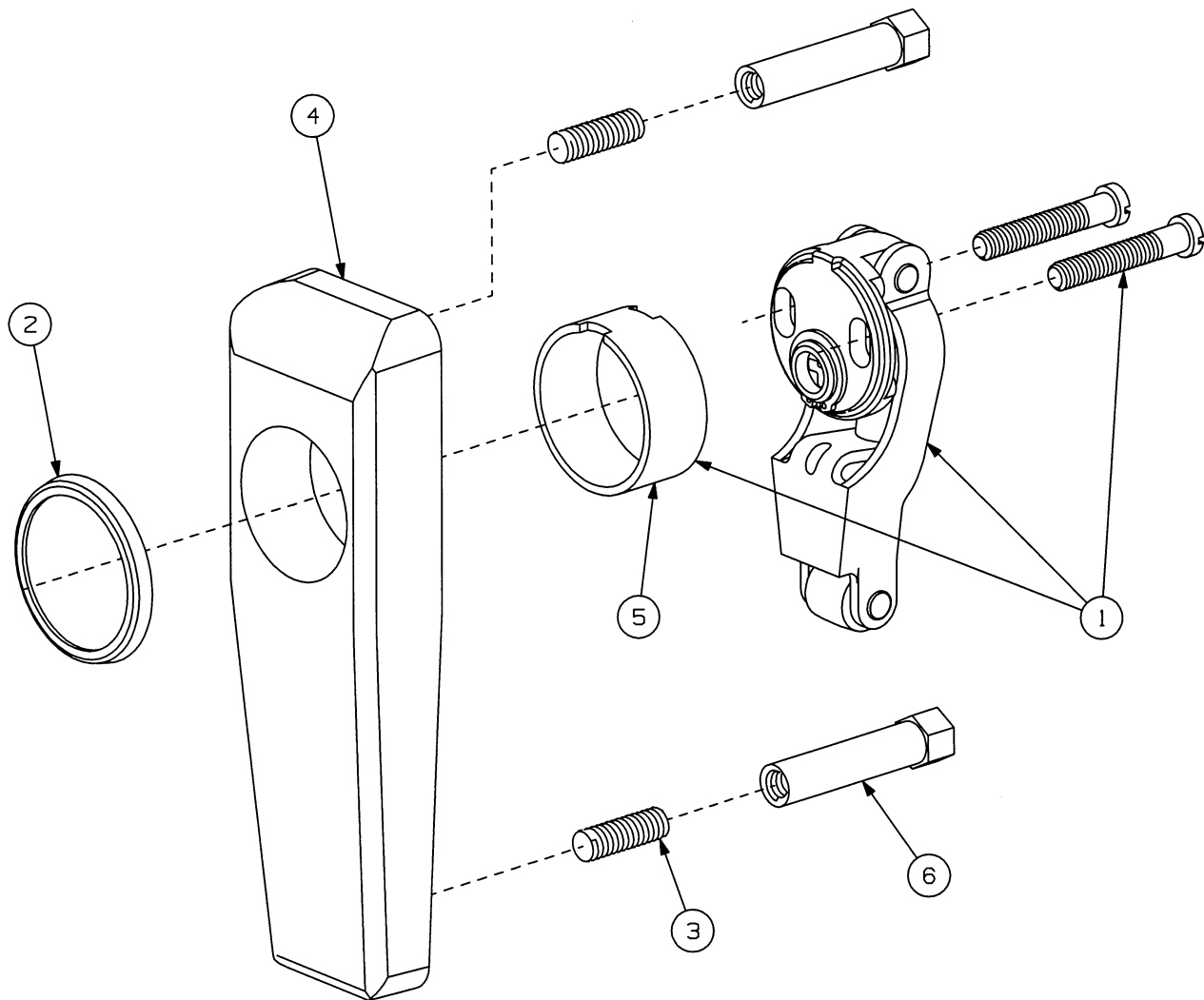
X DESIGNATES FINISHED ITEMS AND FINISH MUST BE SPECIFIED WHEN ORDERING



# 334NL-OP CYLINDER CONTROL ASSEMBLY

ITEM NO.	QTY	PART NO.	DESCRIPTION	FINISH
	1	900827	Mtg. Screw Pkg. - 1-3/4 Metal Door	
	1	900828	Mtg. Screw Pkg. - 1-3/4 Wood & 2-1/4 Metal Door	
	1	900829	Mtg. Screw Pkg. - 2-1/4 Wood Door	
1	1	108357	334 Cylinder Hardware Assembly - 1-3/4	X
1	1	108358	334 Cylinder Hardware Assembly - 2-1/4	X
2	1	961267	Cylinder Collar 880-M/990-M/696/334	X
3	2	964355	1/4-20 x 3/4 Socket Set Screw	
4	1	967026	334 Cylinder Control Housing	X
5	1	967462	334 Cylinder Locating Spacer - 1-3/4	
5	1	967463	334 Cylinder Locating Spacer - 2-1/4	
6	2	971614	Sex Bolt Extension - 334/333/337	

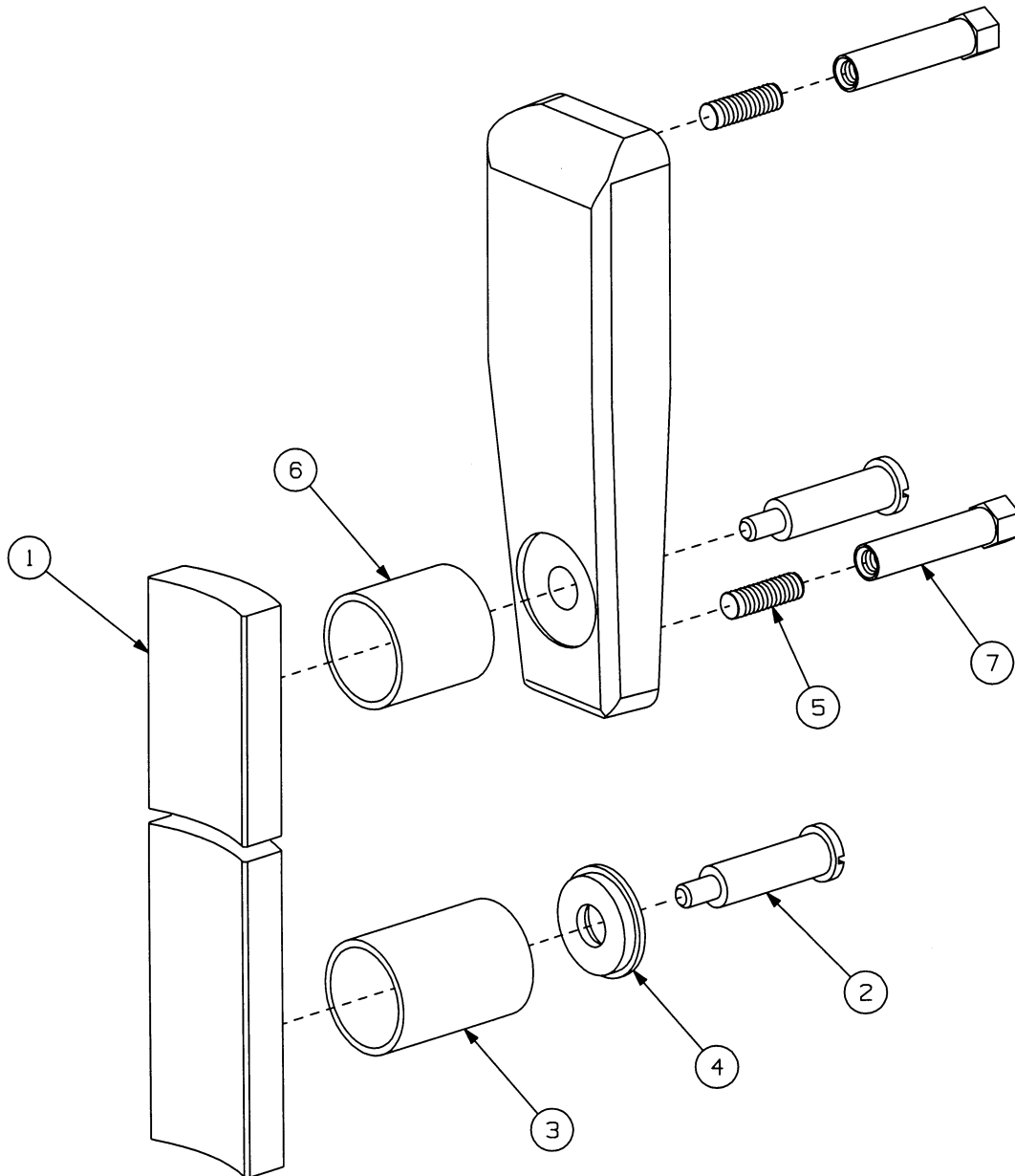
X DESIGNATES FINISHED ITEMS AND FINISH MUST BE SPECIFIED WHEN ORDERING



# 3308DT SERIES TRIM – RIM & VERTICAL METAL & WOOD DOORS

ITEM NO.	QTY	PART NO.	DESCRIPTION	FINISH
	1	900804	3308 Trim Mounting Screw Pkg. - Metal Door	X
	1	900819	3308 Trim Mounting Screw Pkg. - Wood Door	X
1	1	104277	3308 Pull Bar Sub-Assembly	X
2	2	956040	Extended Pull Stud	
3	1	956090	Filler Tube (1-1/2" Long)	X
4	1	956100	Extended Pull Washer	
5	2	964355	1/4-20 X 3/4 Set Screw	
6	1	967003	Filler Tube (1-1/16" Long)	X
7	2	971614	Sex Bolt Extension - 334/333/337	

X DESIGNATES FINISHED ITEMS AND FINISH MUST BE SPECIFIED WHEN ORDERING





# 3308NL SERIES TRIM – RIM – METAL & WOOD DOORS

ITEM NO.	QTY	PART NO.	DESCRIPTION	FINISH
	1	900804	3308 Trim Mounting Screw Pkg. - Metal Door	X
	1	900819	3308 Trim Mounting Screw Pkg. - Wood Door	X
1	1	104277	3308 Pull Bar Sub-Assembly	X
2	1	108357	334 Cylinder Hardware Assembly - 1-3/4	X
2	1	108358	334 Cylinder Hardware Assembly - 2-1/4	X
3	2	956040	Extended Pull Stud	
4	1	956090	Filler Tube (1-1/2" Long)	X
5	1	956100	Extended Pull Washer	
6	1	961267	Cylinder Collar 880-M/990-M/696/334	X
7	2	964355	1/4-20 X 3/4 Set Screw	
8	1	967003	Filler Tube (1-1/16" Long)	X
9	1	967462	334 Cylinder Locating Spacer - 1-3/4	
10	2	971614	Sex Bolt Extension - 334/333/337	

X DESIGNATES FINISHED ITEMS AND FINISH MUST BE SPECIFIED WHEN ORDERING

