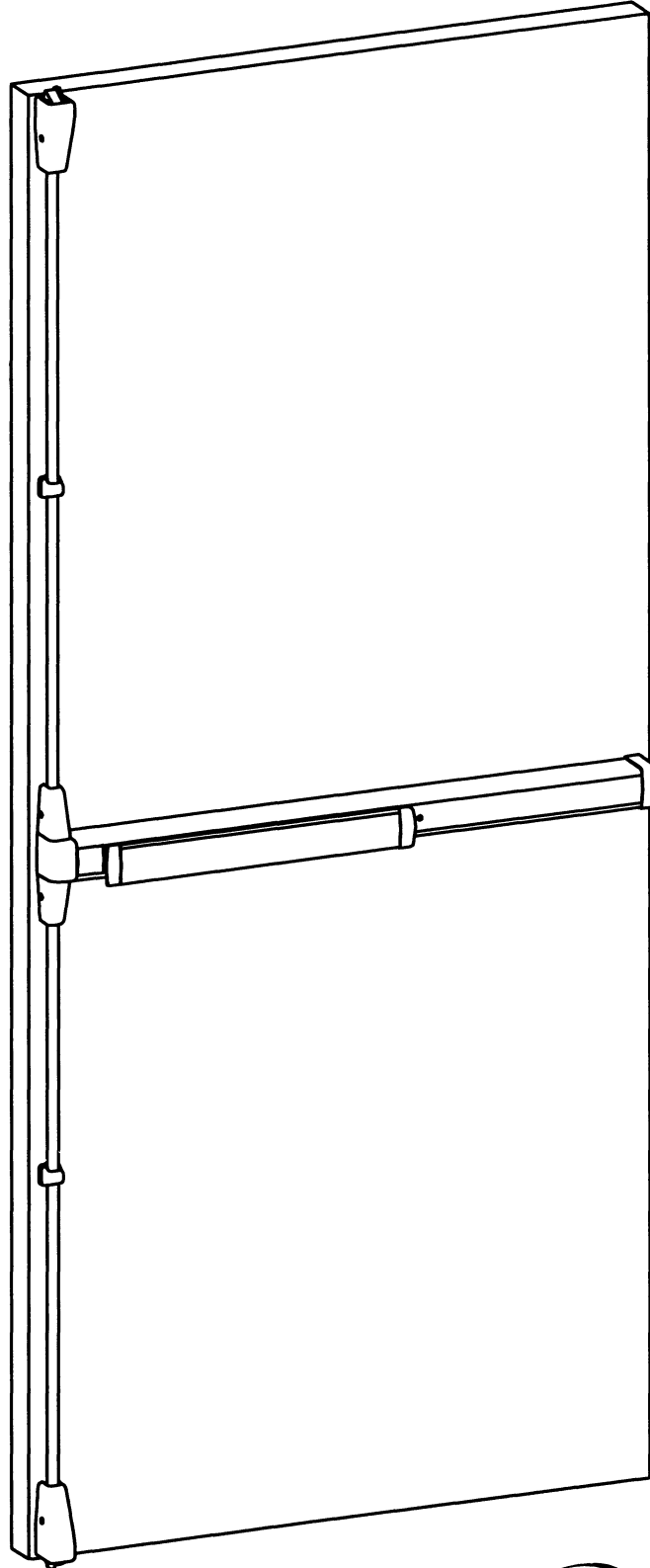


# VON DUPRIN

## PARTS MANUAL

JULY 1999

### 33/3527 SERIES VERTICAL ROD DEVICES



# INDEX

---

## 3327/3275 Vertical Rod Devices

Basic Device .....	4
Baseplate Assembly.....	8
Center Case Assembly.....	9
Vertical Rods & Latch Cases.....	6

### Variations to the Basic Device:

CD (Cylinder Dogging).....	4
EL (Electric Latch Retraction).....	10
SS (Signal Switch).....	11
RX (Request to Exit).....	12
LX (Latch Bolt Monitoring).....	13
ALK Exit Alarm Kit.....	14

## General Information

How to Order .....	2
Finishes .....	3
Outside Trim Functions .....	3
Strikes.....	3

# INTRODUCTION

---

This Manual contains a listing of replaceable parts and assemblies for the 3327/3527 Vertical Rod Devices. (3327 Series and 3527 Series devices are almost identical. The 3327 Series has a grooved case; the 3527 Series has a smooth case.)

## HOW TO ORDER

---

Some parts are sold separately. Other items are available as part of an assembly. For the best possible service when ordering replacement parts or assemblies, please provide the following information:

- Part or Assembly number
- Description
- Quantity needed
- Finish desired (if available finished)
- Date of original purchase, if known

To find out the name of your local Von Duprin distributor or sales representative, contact:

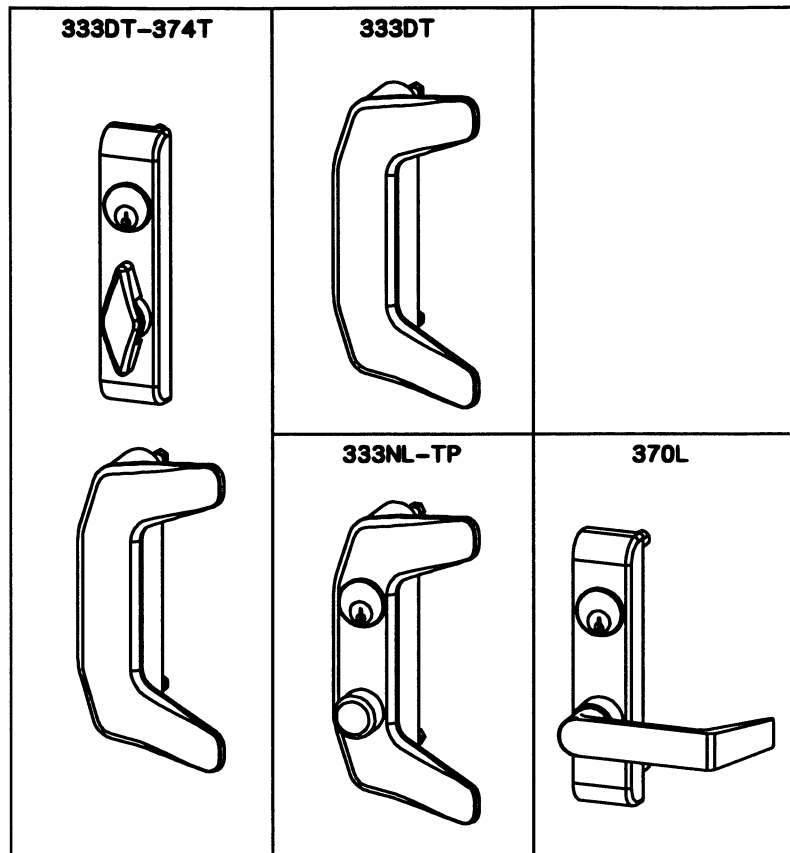
Von Duprin Division  
Ingersoll-Rand Company  
2720 Tobey Drive  
Indianapolis, Indiana 46219  
Phone: (800) 999-0408  
Fax: (800) 999-0328

## PART NUMBER CHANGES

---

This manual reflects the product as sold in July 1999. Because of changes to the product and/or manufacturing process, part numbers can change.

## OUTSIDE TRIM FUNCTIONS

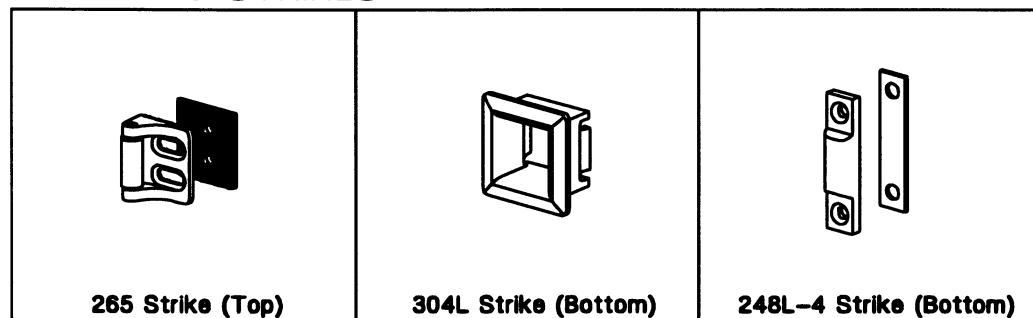


- \* "BE" (Blank Escutcheon) no cylinder used – lever or knob always active
- \*\* "NL" (Night Latch) rigid lever or knob – key retracts latch bolt
- \*\*\* "DT" (Dummy Trim) rigid lever or knob for pull operation

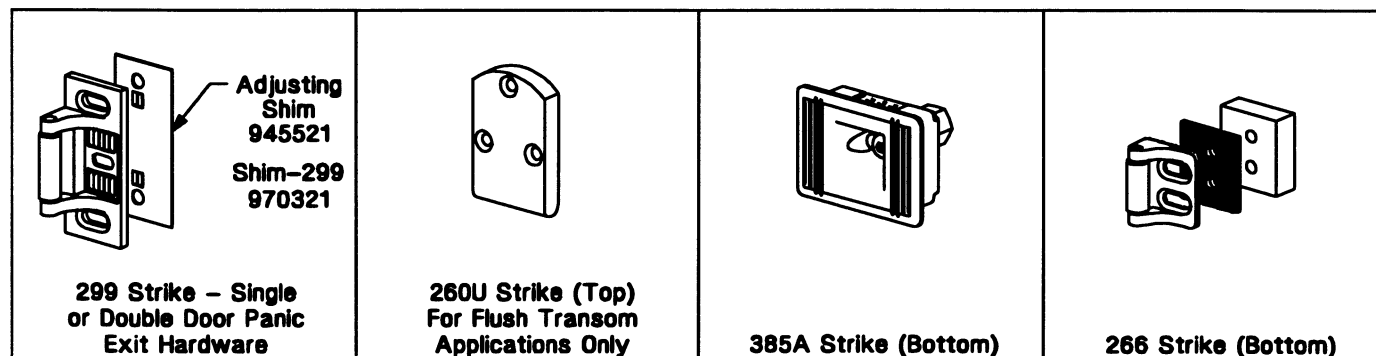
## 33/35 SERIES FINISHES

U.S. Std. Reference	BHMA Reference	Description
US3	605	Polished Brass
US4	606	Dull Brass
US10	612	Dull Bronze
US26	625	Polished Chrome
US26D	626	Dull Chrome
US28	628	Anodized Alum. (Clear)
US32D	630	Satin Stainless Steel
313AN	710	Anodized Alum. (313) Dark Bronze
US19	711	Anodized Alum. (Black)

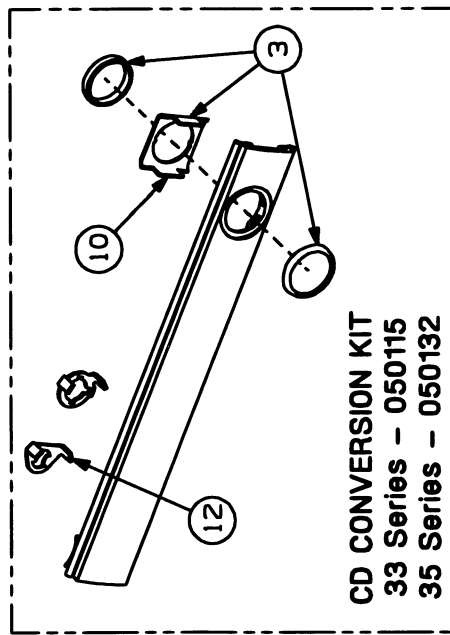
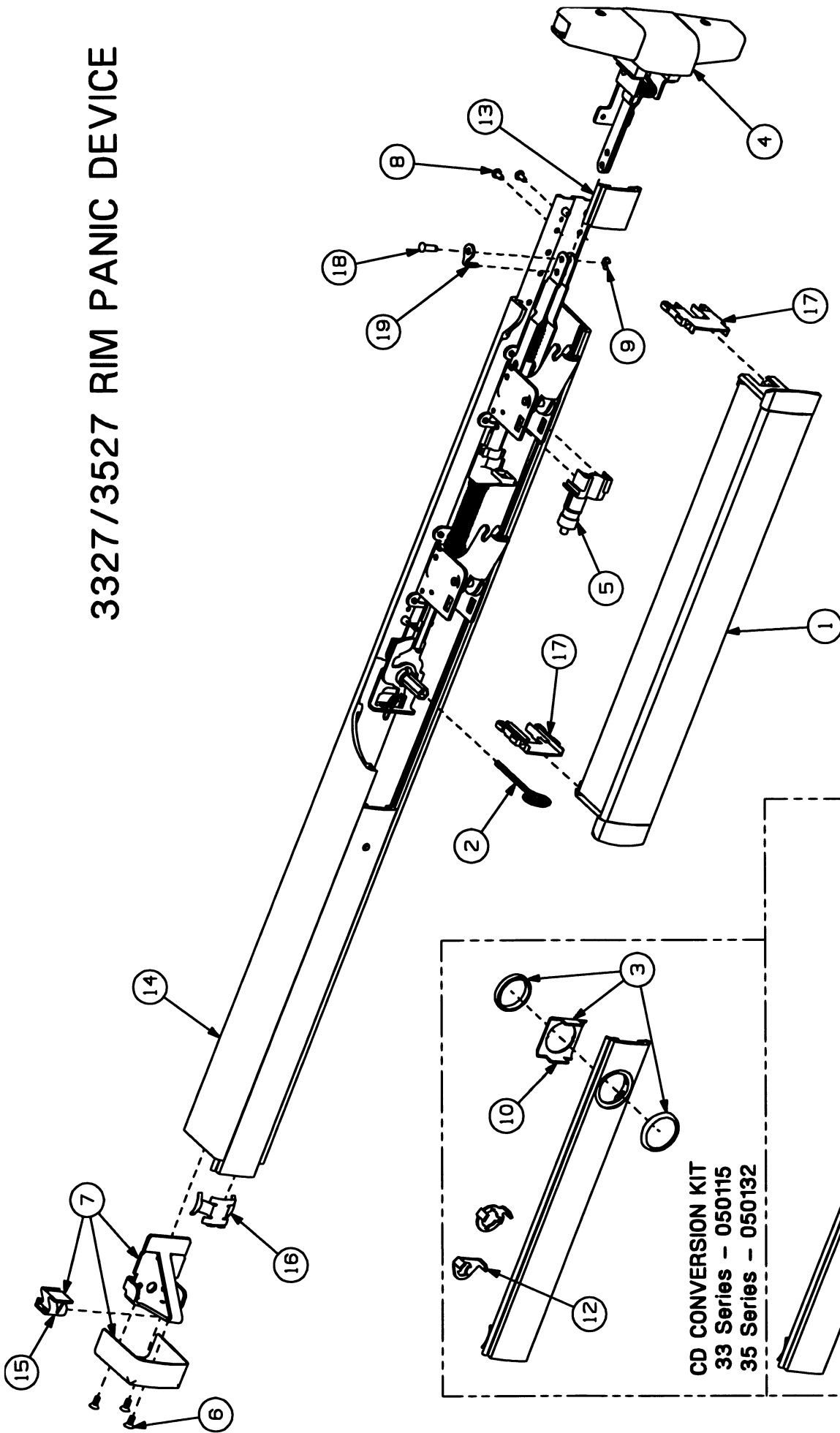
## STANDARD STRIKES



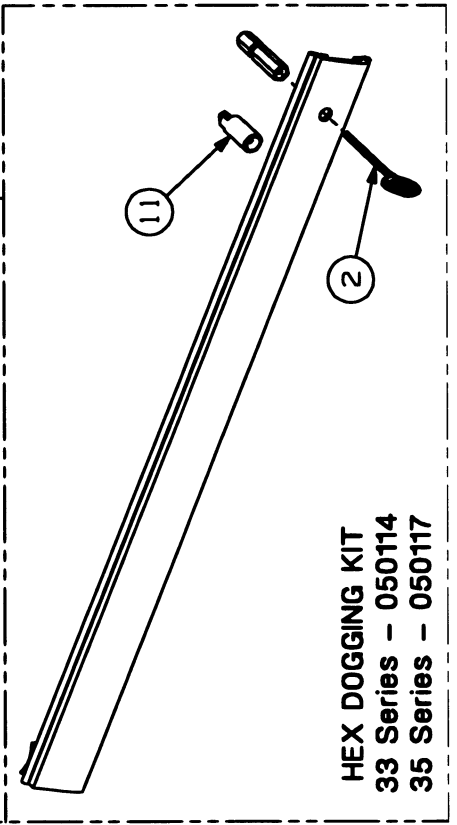
## OPTIONAL STRIKES



# 3327/3527 RIM PANIC DEVICE



**CD CONVERSION KIT**  
**33 Series - 050115**  
**35 Series - 050132**



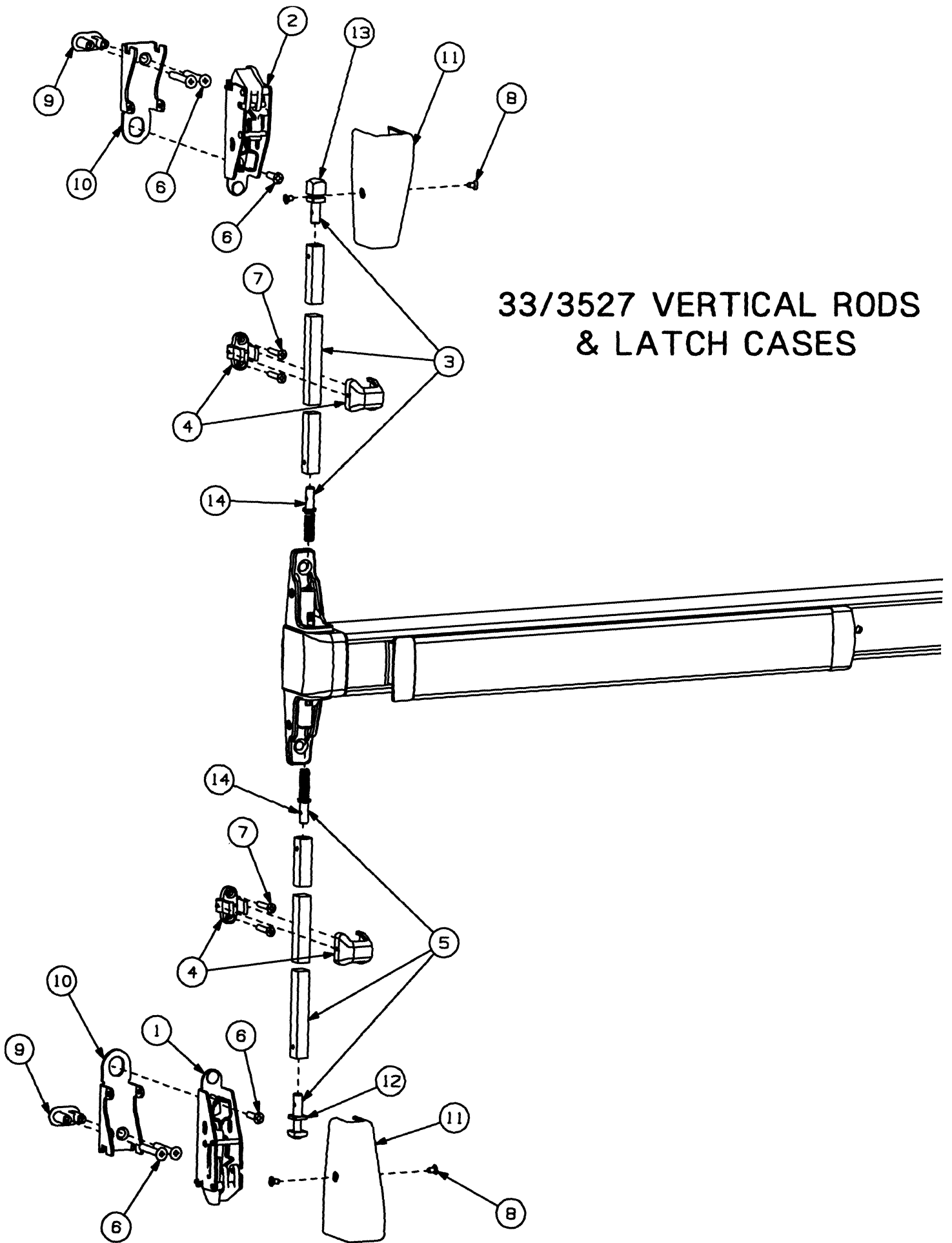
**HEX DOGGING KIT**  
**33 Series - 050114**  
**35 Series - 050117**

# 3327/3527 RIM PANIC DEVICE

---

ITEM NO.	QTY	PART NO.	DESCRIPTION	FINISH
	1	900570	33/35 Mounting Package (1-3/4 & 2-1/4)	
1	1	050158	33/35 Series Push Bar Retrofit Kit - 3' Door	X
1	1	050159	33/35 Series Push Bar Retrofit Kit - 4' Door	X
2	1	090085	227 Dog Key 5/32" Hex (Pack of 10)	
3	1	107813	Cylinder Mounting Hardware Assembly	X
4	1	108716	3327/3527 Center Case With Cover	X
5	1	112727	Shock Absorber & Holder Assembly	
6	1	900901	Mechanism End Cap Screw Pkg. (Pack of 3)	X
7	1	900902	33/35 Series End Cap and Bracket Assembly	X
8	2	963094	#8-32 x 5/16" PPHMS Threadforming	
9	1	964066	Retaining Ring	
10	1	967032	Cylinder Locking Washer - CD/SS	
11	1	968112	33/99 Series Hex Dog Shaft	
12	1	968116	33/99 Series CD Actuator Arm	
13	1	968430	33 Cover Plate - Center Case Side	X
13	1	970200	35 Cover Plate - Center Case Side	X
14	1	968638	33 Mechanism Case - 3' Door	X
14	1	968639	33 Mechanism Case - 4' Door	X
14	1	970193	35 Mechanism Case - 3' Door	X
14	1	970194	35 Mechanism Case - 4' Door	X
15	1	970548	Cover Plate Stop - End Cap	
16	1	970719	Cover Plate Anti-rattle Spring	
17	2	971066	Touch Bar Guide - Cover Plate	
18	1	971507	33/35 Control Link Pin	
19	1	971508	33/35 Control Link Support	

**X DESIGNATES FINISHED ITEMS AND FINISH MUST BE SPECIFIED WHEN ORDERING**



### 33/3527 VERTICAL RODS & LATCH CASES

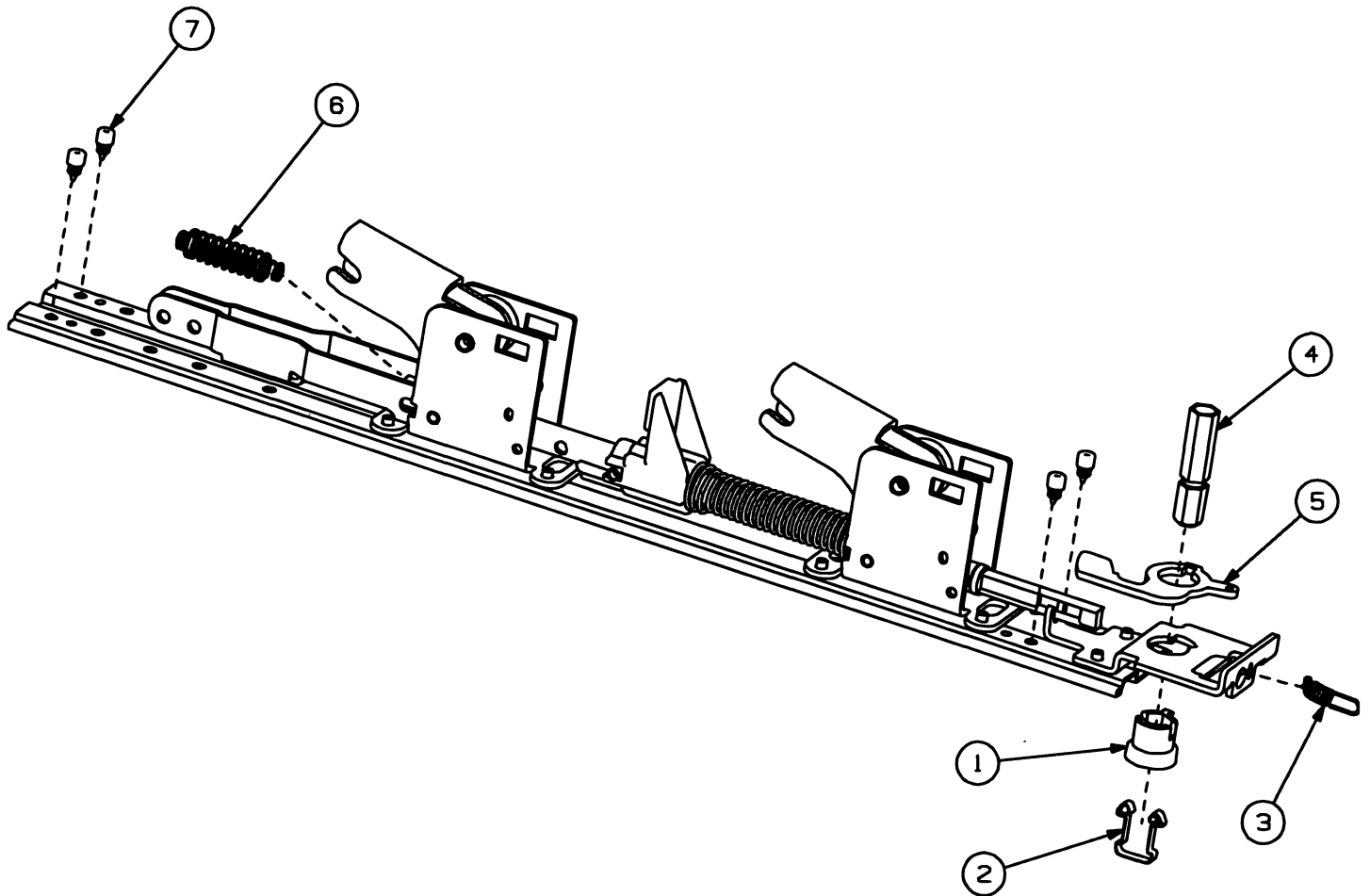
# 33/3527 VERTICAL RODS & LATCH CASES

ITEM NO.	QTY	PART NO.	DESCRIPTION	FINISH
1	1	105337	3327/3527 Bottom Latch Less Cover	
2	1	105339	3327/3527 Top Latch Less Cover	
3	1	105625	3527 Top Rod Assembly	X
3	1	110577	3327 Top Rod Assembly	X
4	2	105952	3327/3527 Rod Guide Assembly	X
5	1	107805	3527 Bottom Rod Assembly	X
5	1	110576	3327 Bottom Rod Assembly	X
6	1	900546	Screw Pack - 3327/3527 Latch Case	
7	1	900565	Rod Guide Mounting Package (Pack of 4)	
8	2	900850	33/35 Center Case Cover Screw Pkg. (Pack of 2)	X
9	1	900906	525 Sex Bolt Package (Pack of 2)	X
10	2	966389	3327/3527 Latch Case Base	
11	2	966391	3327/3527 Latch Case Cover	X
12	1	966476	3327/3527 Bottom Rod Connector	
13	1	966764	3327/3527 Top Rod Connector	
14	2	968969	Rod Connector - Latch	

**X DESIGNATES FINISHED ITEMS AND FINISH MUST BE SPECIFIED WHEN ORDERING**

# PANIC DEVICE BASEPLATE ASSEMBLY

ITEM NO.	QTY	PART NO.	DESCRIPTION	FINISH
1	1	971495	Dogging Adaptor	
2	1	971494	Dogging Adaptor Spring	
3	1	971493	Dogging Spring	
4	1	971492	Hex Dogging Shaft	
5	1	971491	Dogging Hook	
6	1	971351	Latch Return Spring	
7	4	971308	Rubber Bumper	

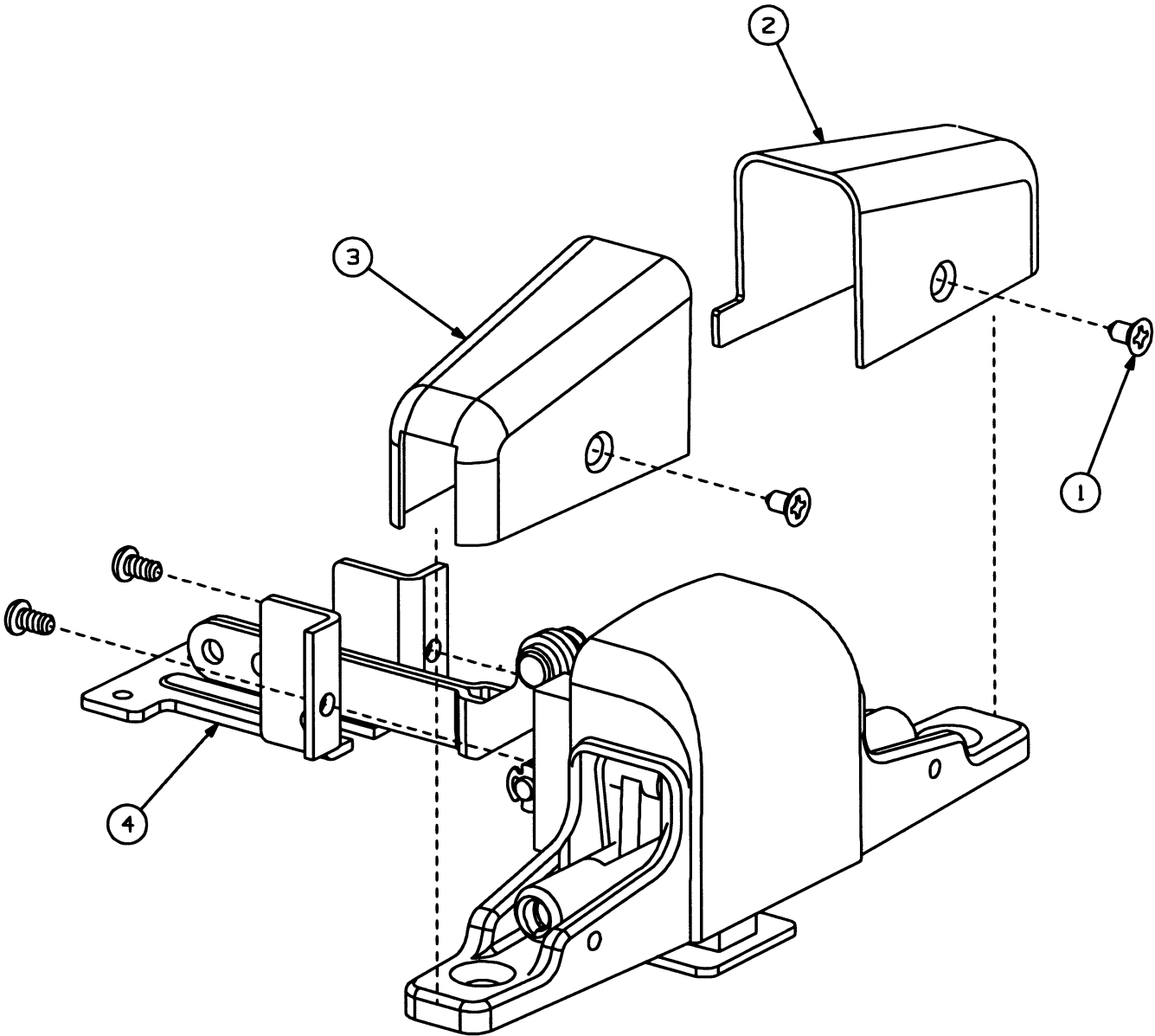




# CENTER CASE ASSEMBLY WITH COVERS

ITEM NO.	QTY	PART NO.	DESCRIPTION	FINISH
1	1	900850	33/35 Center Case Cover Screw Pkg. (Pack of 2)	X
2	1	966478	3327/3527 Center Case Cover - LH	X
3	1	966479	3327/3527 Center Case Cover - RH	X
4	1	969290	Base Plate Extension	

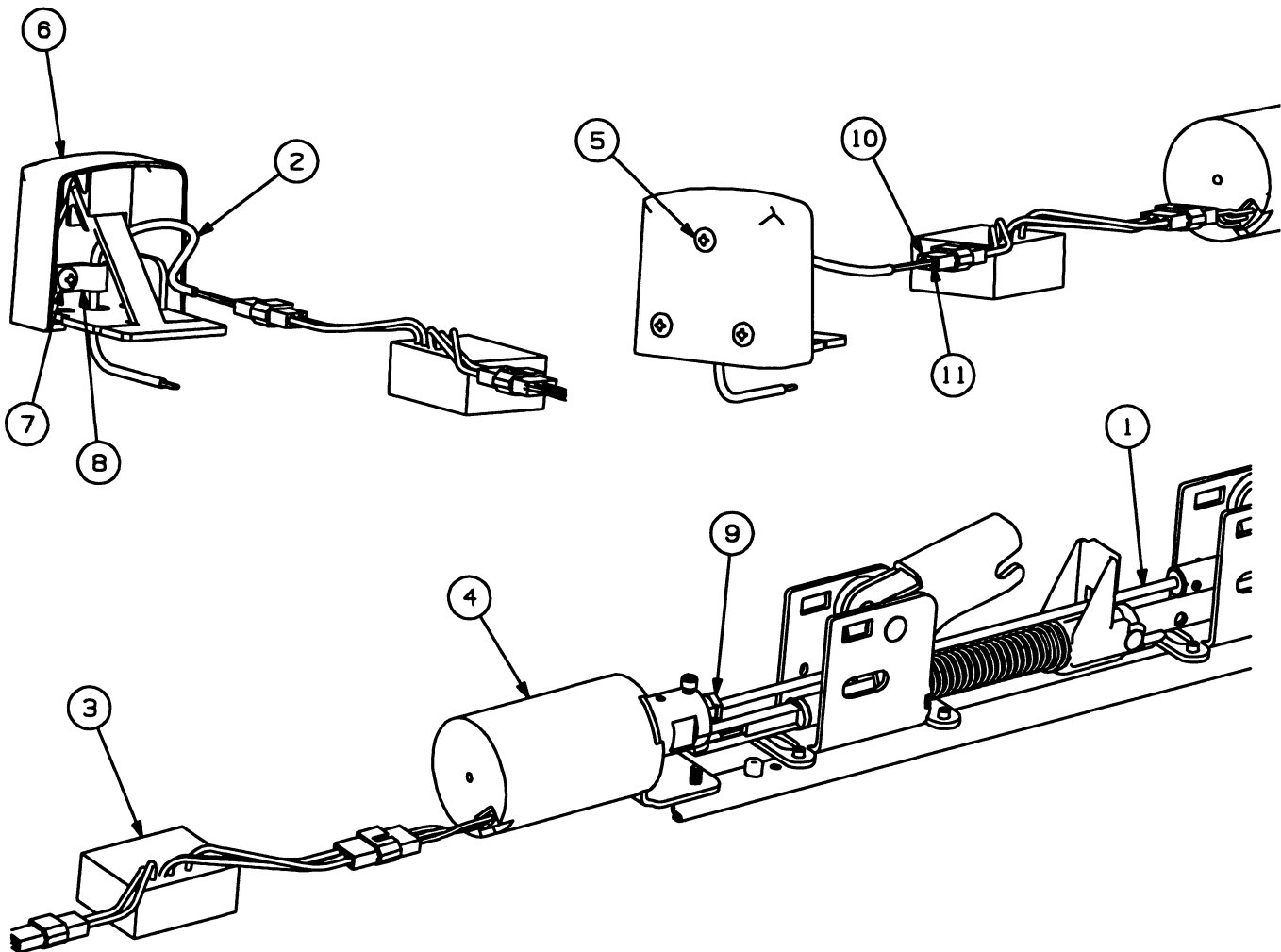
**X DESIGNATES FINISHED ITEMS AND FINISH MUST BE SPECIFIED WHEN ORDERING**



# EL33/3527 ELECTRIC LATCH RETRACTION OPTION

ITEM NO.	QTY	PART NO.	DESCRIPTION	FINISH
1	1	110007	EL Dogging Rod Assembly - 3' Device	
1	1	110008	EL Dogging Rod Assembly - 4' Device	
2	1	110388	EL 6' Cable and Connector	
3	1	110741	Potted Circuit Breaker (EL Solenoid)	
4	1	112915	EL Solenoid Assembly	
5	1	900901	Mechanism End Cap Screw Pkg. (Pack of 3)	X
6	1	900902	33/35 Series End Cap and Bracket Assembly	X
7	1	963943	Cable Clamp Screw	
8	1	970549	EL Cable Clamp	
9	1	971326	Dogging Rod Retainer	
10	1	990598	EL Receptacle Connector	
11	2	990592	Female Terminal - EL/SS/E & SS7500	

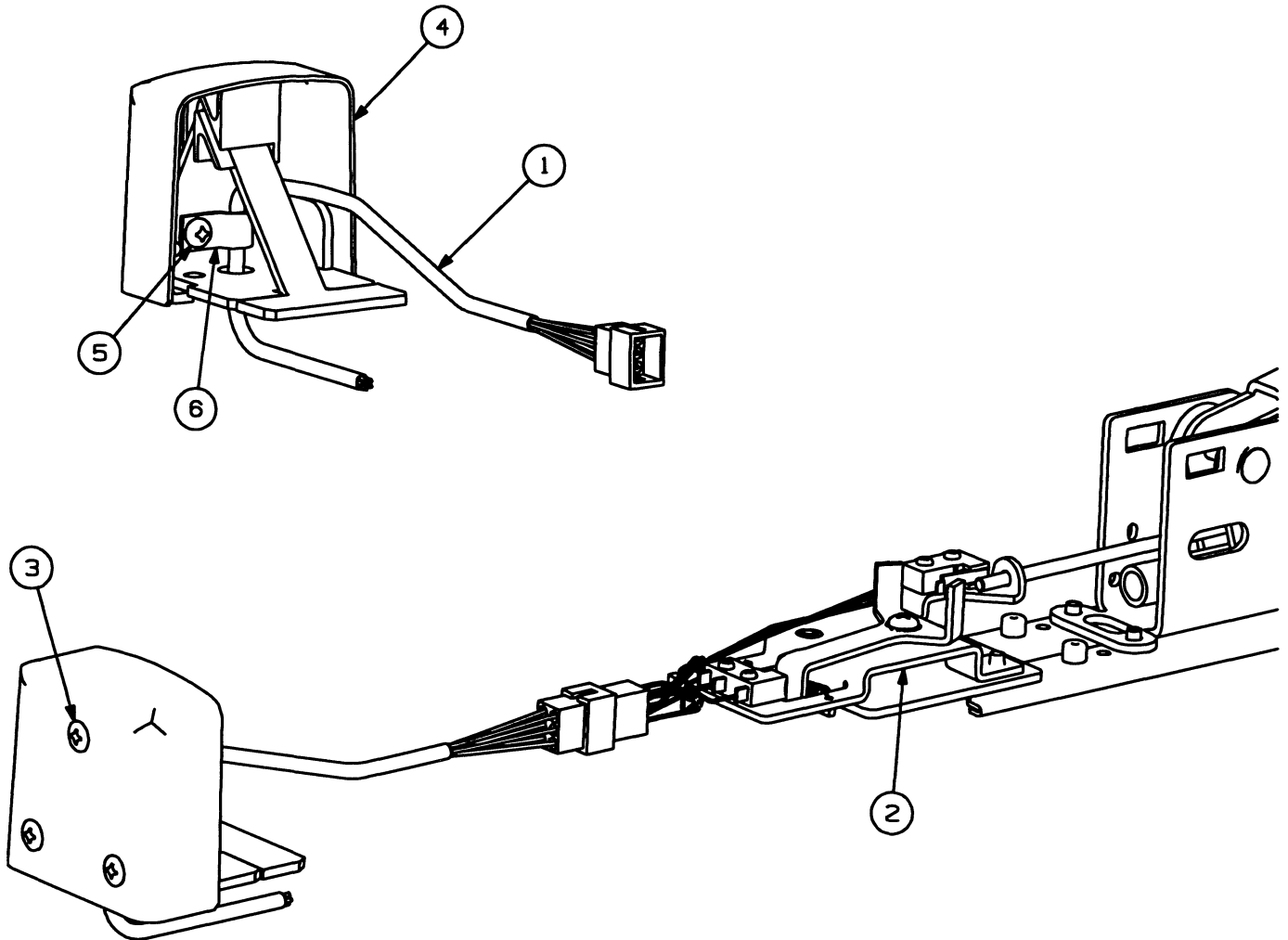
X DESIGNATES FINISHED PART AND FINISH MUST BE SPECIFIED WHEN ORDERING



# SS3327/3527 (SIGNAL SWITCH) OPTION

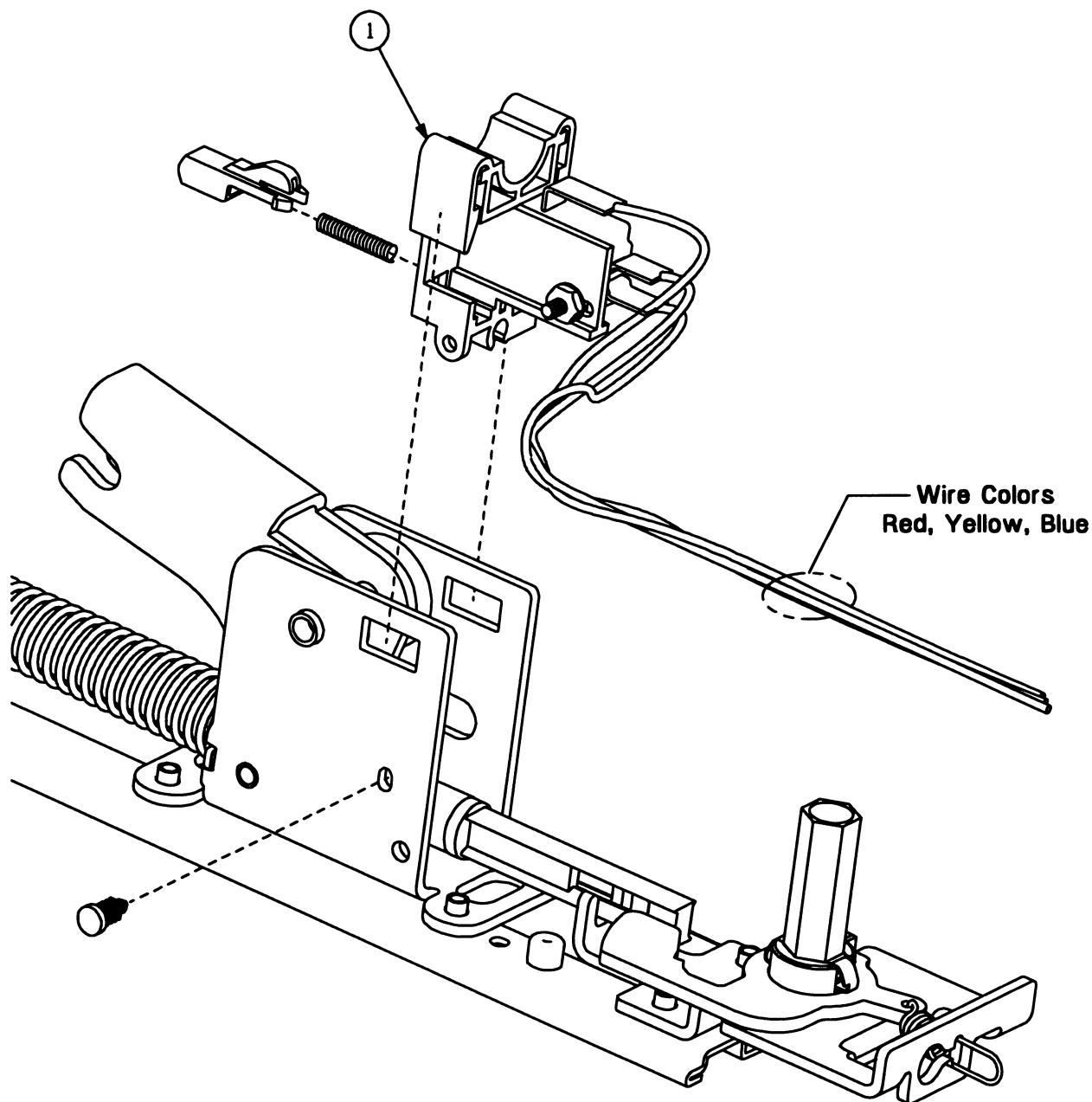
ITEM NO.	QTY	PART NO.	DESCRIPTION	FINISH
1	1	110472	SS Cable Assembly	
2	1	110658	SS Housing Assembly	
3	1	900901	Mechanism End Cap Screw Pkg. (Pack of 3)	X
4	1	900902	33/35 Series End Cap and Bracket Assembly	X
5	1	963943	#8-32 x 1/4" PPHMS	
6	1	970549	EL Cable Clamp	

X DESIGNATES FINISHED PARTS AND FINISH MUST BE SPECIFIED WHEN ORDERING



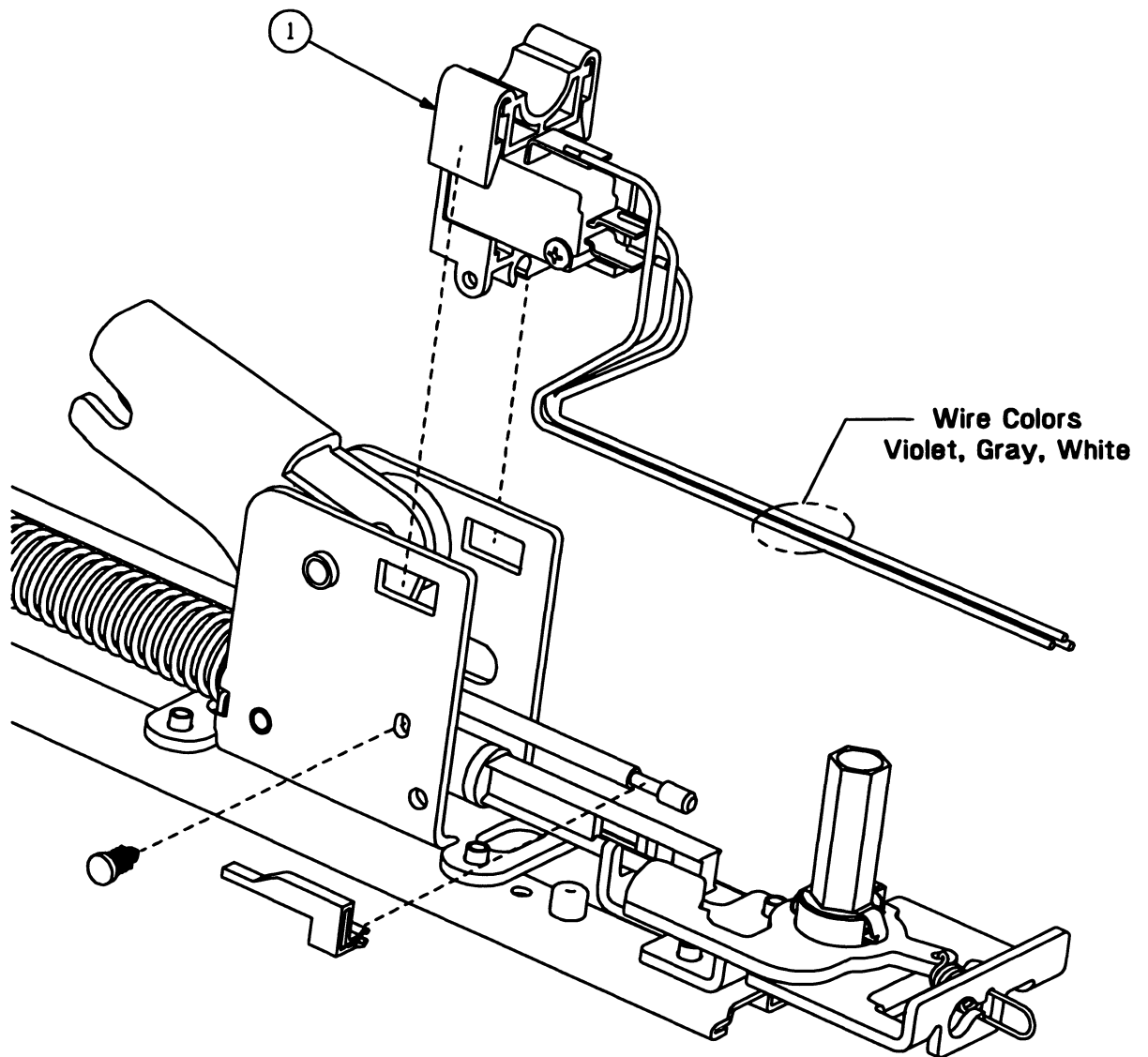
# 3327/3527 RX (REQUEST TO EXIT) OPTION

ITEM NO.	QTY	PART NO.	DESCRIPTION	FINISH
1	1	050251	RX/SI Switch Option (shown)	
1	1	050256	RX/LX Switch Kit 3'0 Device	
1	1	050257	RX/LX Switch Kit 4'0 Device	
1	1	050259	RX/LX-EL Switch Kit	

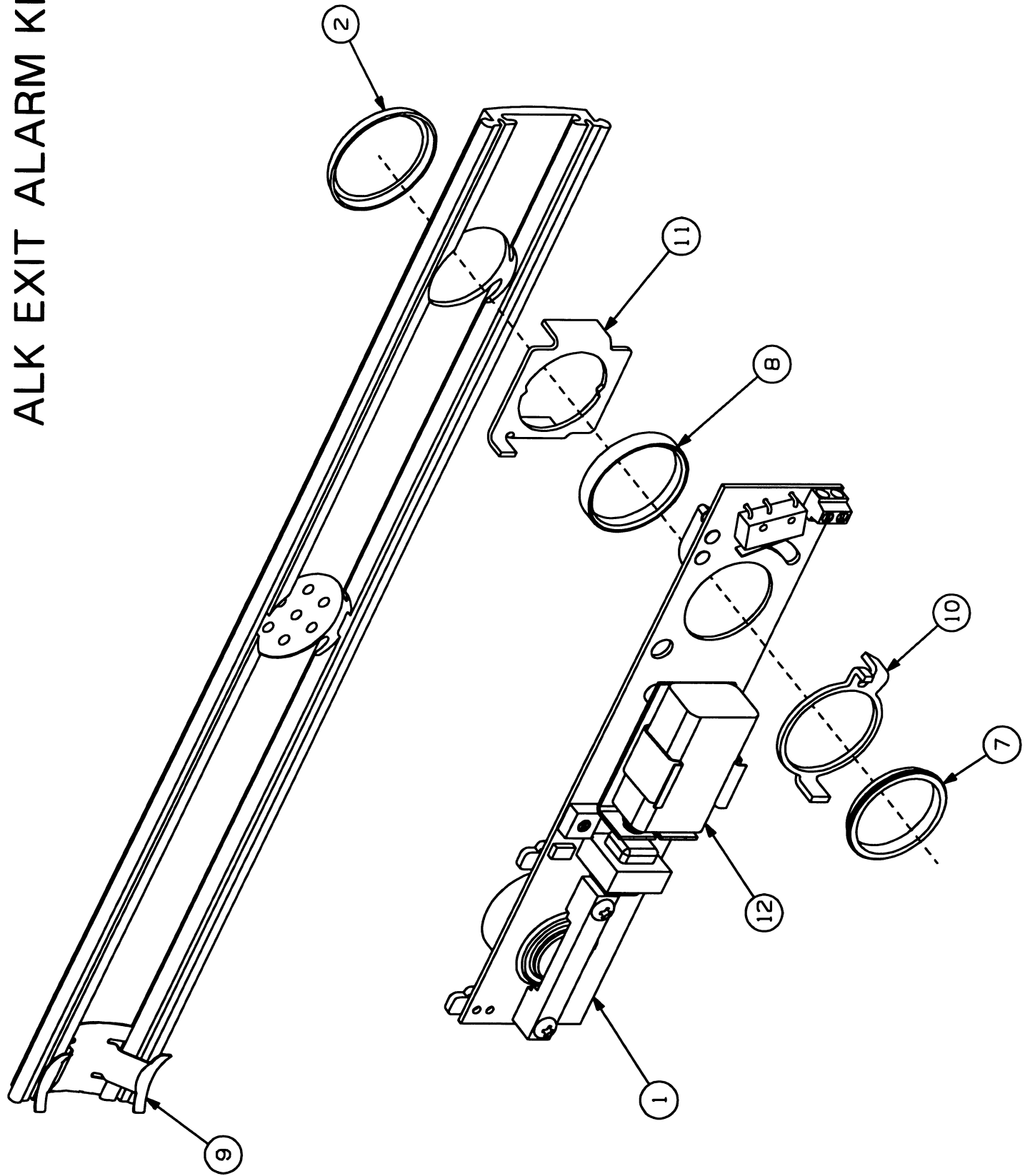


# 3327/3527 LX (LATCH BOLT MONITORING) OPTION

ITEM NO.	QTY	PART NO.	DESCRIPTION	FINISH
1	1	050254	LX Switch Kit 3'0 Device (shown)	
1	1	050255	LX Switch Kit 4'0 Device	
1	1	050247	LX-EL Switch Kit	
1	1	050256	RX/LX Switch Kit 3'0 Device	
1	1	050257	RX/LX Switch Kit 4'0 Device	
1	1	050259	RX/LX-EL Switch Kit	



# 33/35 SERIES ALK EXIT ALARM KIT



# 33/35 SERIES ALK EXIT ALARM KIT

ITEM NO.	QTY	PART NO.	DESCRIPTION	FINISH
1	1	111795	ALK PCB Assembly	
2	1	961267	Cylinder Collar 880-M/990-M/696/334	X
3	1	963325	Cardboard Tube - ALK/5200 Sign	
4	1	969122	ALK Alarm Device Sign	
5	1	969349	ALK Arming Label	
6	1	969350	ALK Disarming Label	
7	1	969354	Retainer Nut	
8	1	970594	ALK Cylinder Spacer	
9	1	970719	Cover Plate Anti-rattle Spring	
10	1	971556	ALK Switch Actuator	
11	1	971557	ALK Cylinder Bracket	
12	1	990637	ALK Battery	

X DESIGNATES FINISHED ITEMS AND FINISH MUST BE SPECIFIED WHEN ORDERING

NOTE: SEE PAGE 12 FOR RX SWITCH OPTION AND PAGE 13 FOR LX SWITCH OPTION

