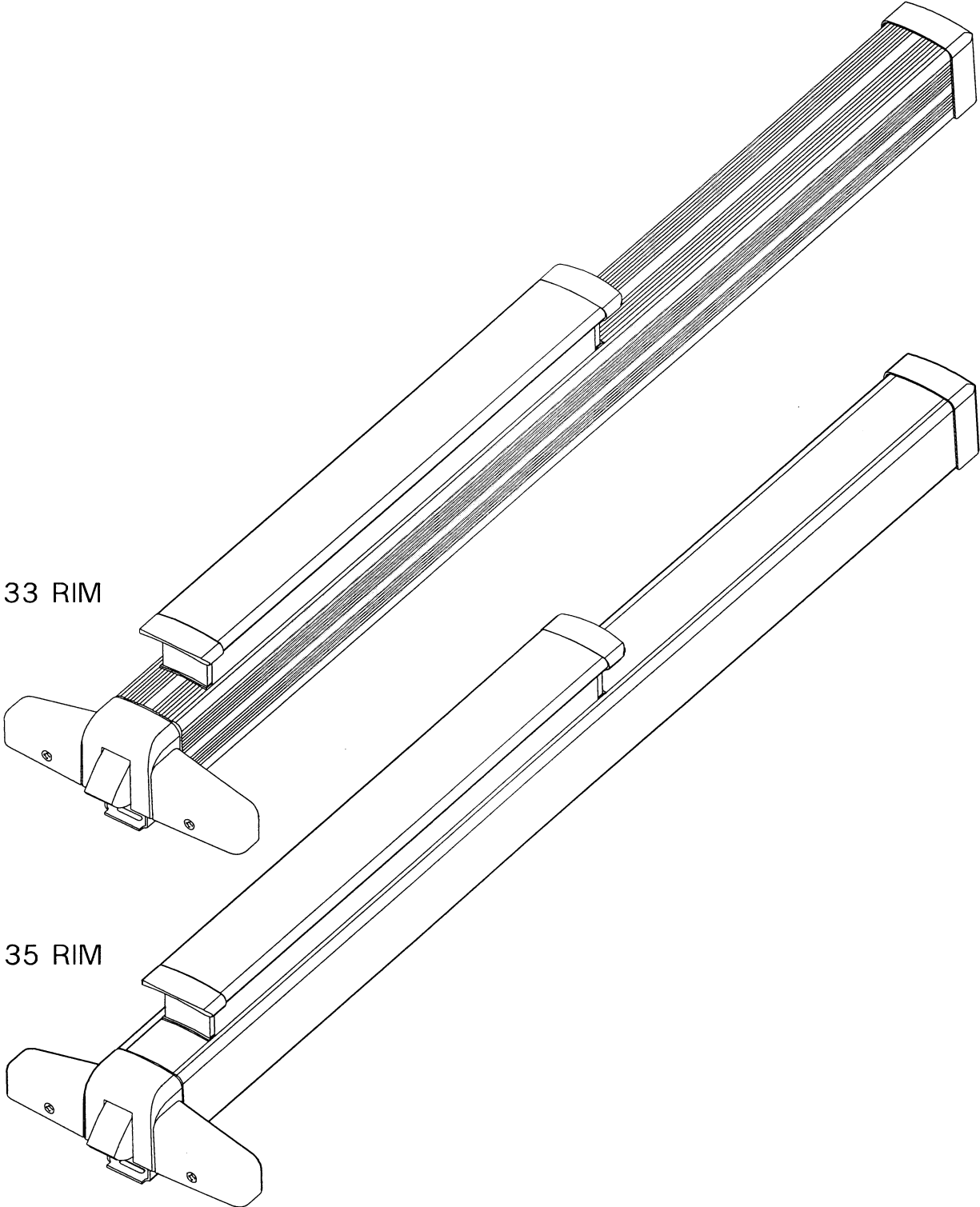


VON DUPRIN

PARTS MANUAL

JULY 1999

33/35 SERIES RIM DEVICES



INDEX

33/35 Rim Panic Devices

Basic Device	4
Baseplate Assembly.....	6
Center Case Assembly.....	7

Variations to the Basic Device:

CD (Cylinder Dogging).....	4
EL (Electric Latch Retraction).....	8
SS (Signal Switch).....	9
RX (Request to Exit).....	10
LX (Latch Bolt Monitoring).....	11
ALK Exit Alarm Kit.....	12
330/350 TBSK Dummy Push Bar.....	14
330/350 Dummy Push Bar.....	16

General Information

How to Order	2
Finishes	3
Outside Trim Functions	3
Strikes.....	3

INTRODUCTION

This Manual contains a listing of replaceable parts and assemblies for the 33/35 Rim Panic Exit Hardware Devices. (33 Series and 35 Series devices are almost identical. The 33 Series has a grooved case; the 35 Series has a smooth case.)

HOW TO ORDER

Some parts are sold separately. Other items are available as part of an assembly. For the best possible service when ordering replacement parts or assemblies, please provide the following information:

- Part or Assembly number
- Description
- Quantity needed
- Finish desired (if available finished)
- Date of original purchase, if known

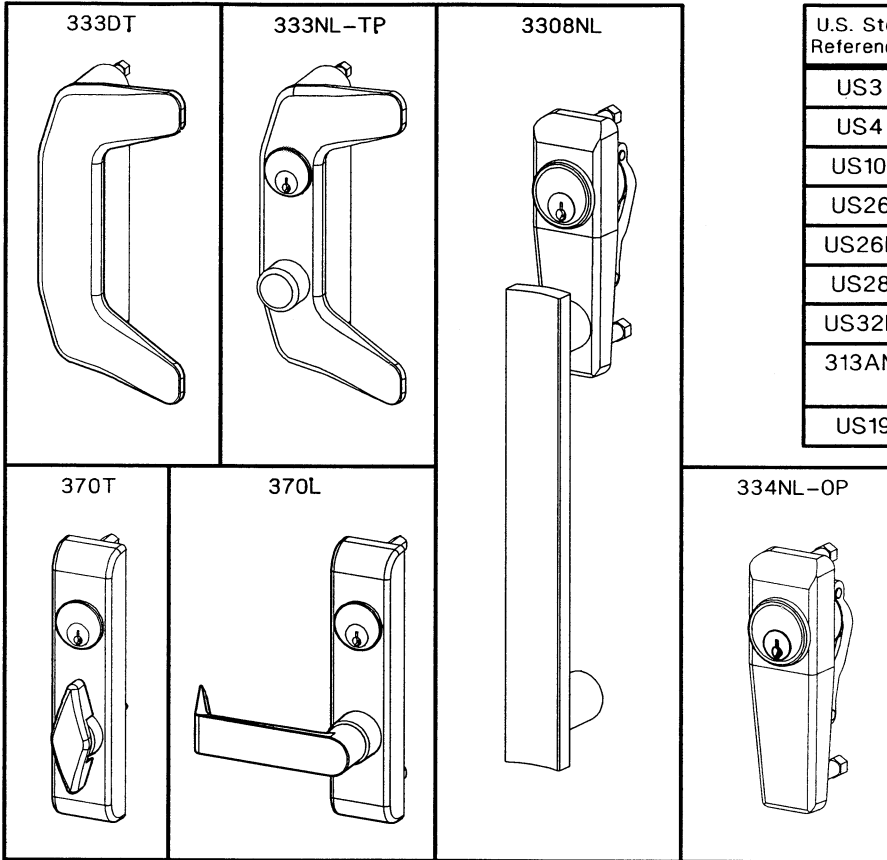
To find out the name of your local Von Duprin distributor or sales representative, contact:

Von Duprin Division
Ingersoll-Rand Company
2720 Tobey Drive
Indianapolis, Indiana 46219
Phone: (800) 999-0408
Fax: (800) 999-0328

PART NUMBER CHANGES

This manual reflects the product as sold in July 1999. Because of changes to the product and/or manufacturing process, part numbers can change.

OUTSIDE TRIM FUNCTIONS

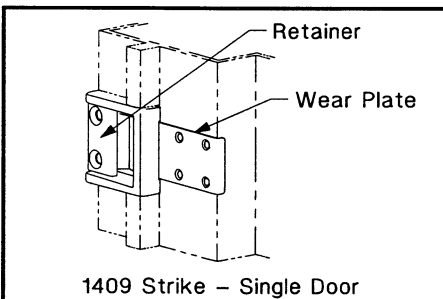


33/35 SERIES FINISHES

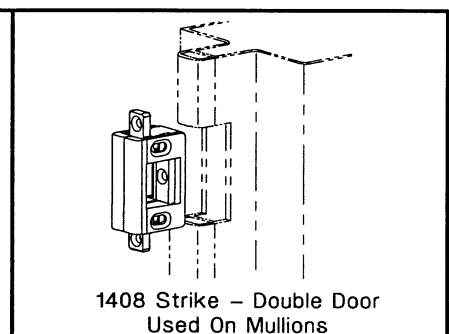
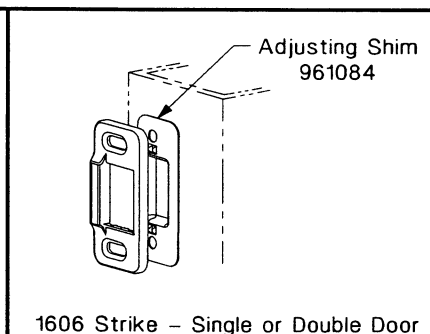
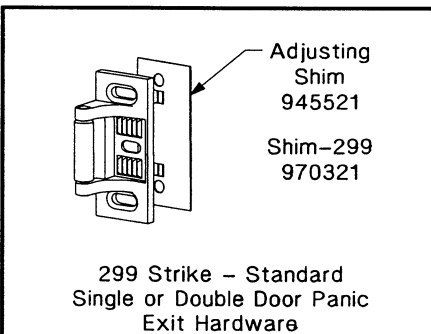
U.S. Std. Reference	BHMA Reference	Description
US3	605	Polished Brass
US4	606	Dull Brass
US10	612	Dull Bronze
US26	625	Polished Chrome
US26D	626	Dull Chrome
US28	628	Anodized Alum. (Clear)
US32D	630	Satin Stainless Steel
313AN	710	Anodized Alum. (313) Dark Bronze
US19	711	Anodized Alum. (Black)

- * "BE" (Blank Escutcheon) no cylinder used – lever or knob always active
- ** "NL" (Night Latch) rigid lever or knob – key retracts latch bolt
- *** "DT" (Dummy Trim) rigid lever or knob for pull operation

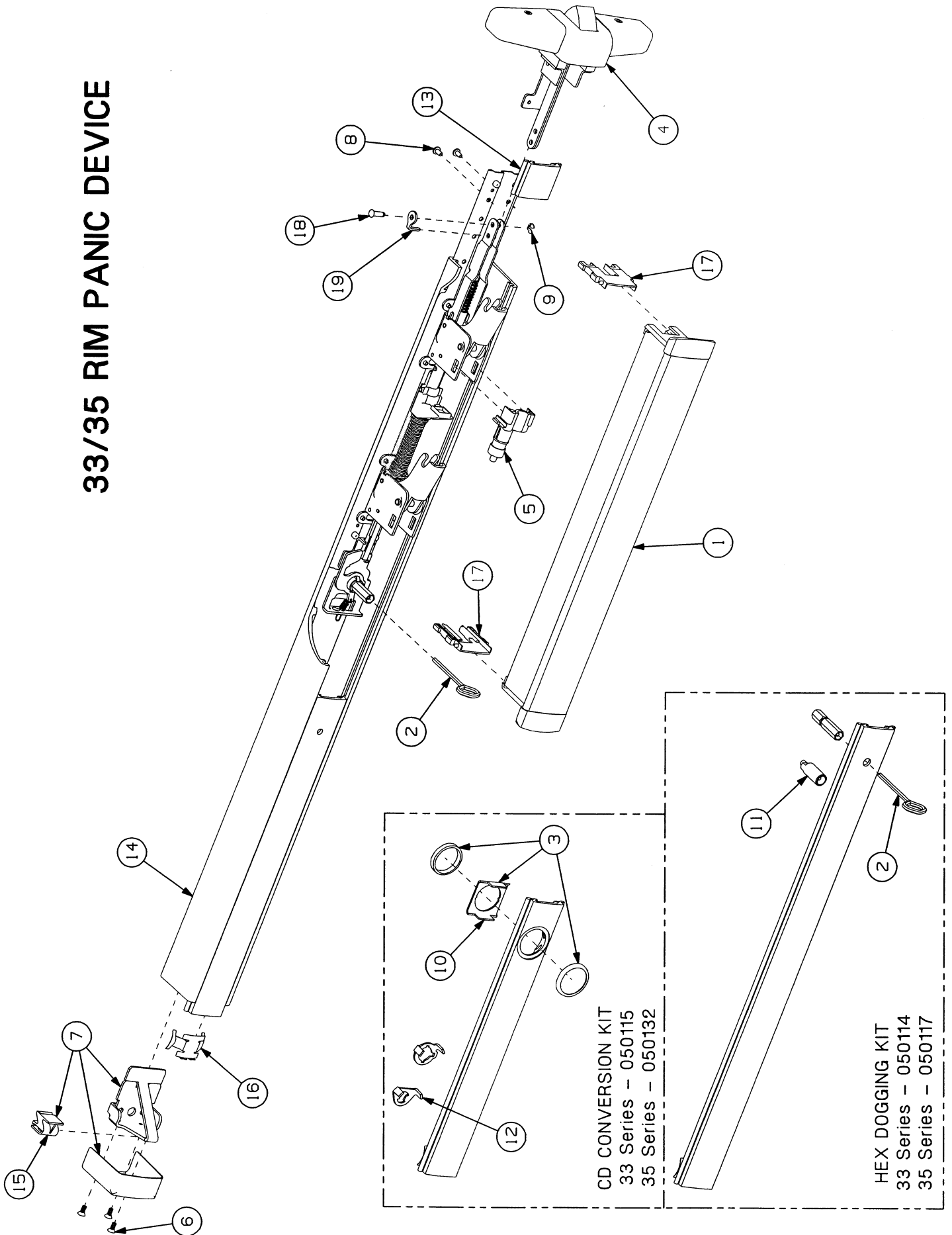
STANDARD STRIKE



OPTIONAL STRIKES FOR PANIC EXIT HARDWARE



33/35 RIM PANIC DEVICE



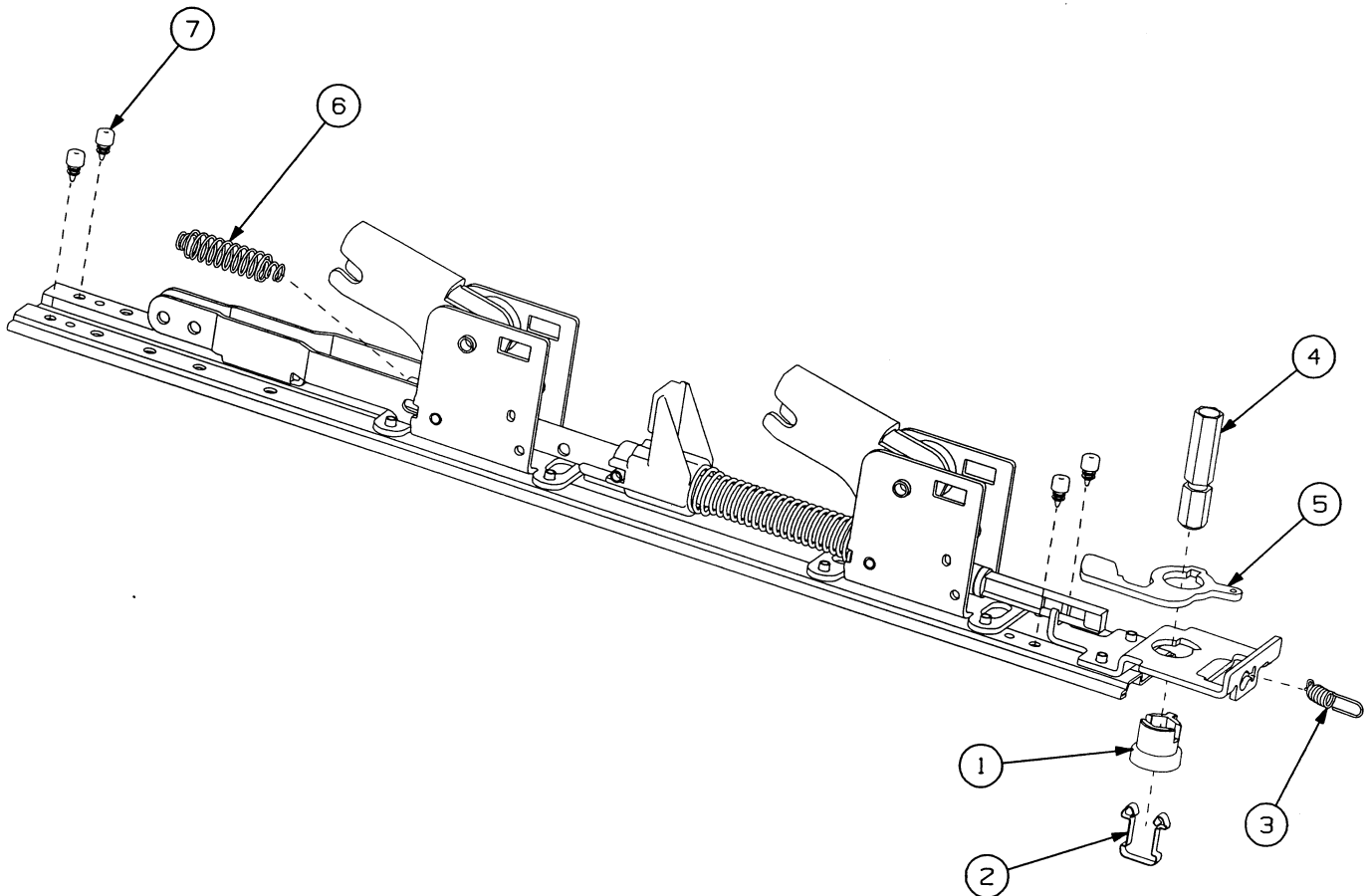
33/35 RIM PANIC DEVICE

ITEM NO.	QTY	PART NO.	DESCRIPTION	FINISH
	1	900570	33/35 Mounting Package (1-3/4 & 2-1/4)	
1	1	050158	33/35 Series Push Bar Retrofit Kit - 3' Door	X
1	1	050159	33/35 Series Push Bar Retrofit Kit - 4' Door	X
2	1	090085	227 Dog Key 5/32" Hex (Pack of 10)	
3	1	107813	Cylinder Mounting Hardware Assembly	X
4	1	108714	33/35 Rim Center Case With Cover	X
5	1	112727	Shock Absorber & Holder Assembly	
6	1	900901	Mechanism End Cap Screw Pkg. (Pack of 3)	X
7	1	900902	33/35 Series End Cap and Bracket Assembly	X
8	2	963094	#8-32 x 5/16" PPHMS Threadforming	
9	1	964066	Retaining Ring	
10	1	967032	Cylinder Locking Washer - CD/SS	
11	1	968112	33/99 Series Hex Dog Shaft	
12	1	968116	33/99 Series CD Actuator Arm	
13	1	968430	33 Cover Plate - Center Case Side	X
13	1	970200	35 Cover Plate - Center Case Side	X
14	1	968638	33 Mechanism Case - 3' Door	X
14	1	968639	33 Mechanism Case - 4' Door	X
14	1	970193	35 Mechanism Case - 3' Door	X
14	1	970194	35 Mechanism Case - 4' Door	X
15	1	970548	Cover Plate Stop - End Cap	
16	1	970719	Cover Plate Anti-rattle Spring	
17	2	971066	Touch Bar Guide - Cover Plate	
18	1	971507	33/35 Control Link Pin	
19	1	971508	33/35 Control Link Support	

X DESIGNATES FINISHED ITEMS AND FINISH MUST BE SPECIFIED WHEN ORDERING

PANIC DEVICE BASEPLATE ASSEMBLY

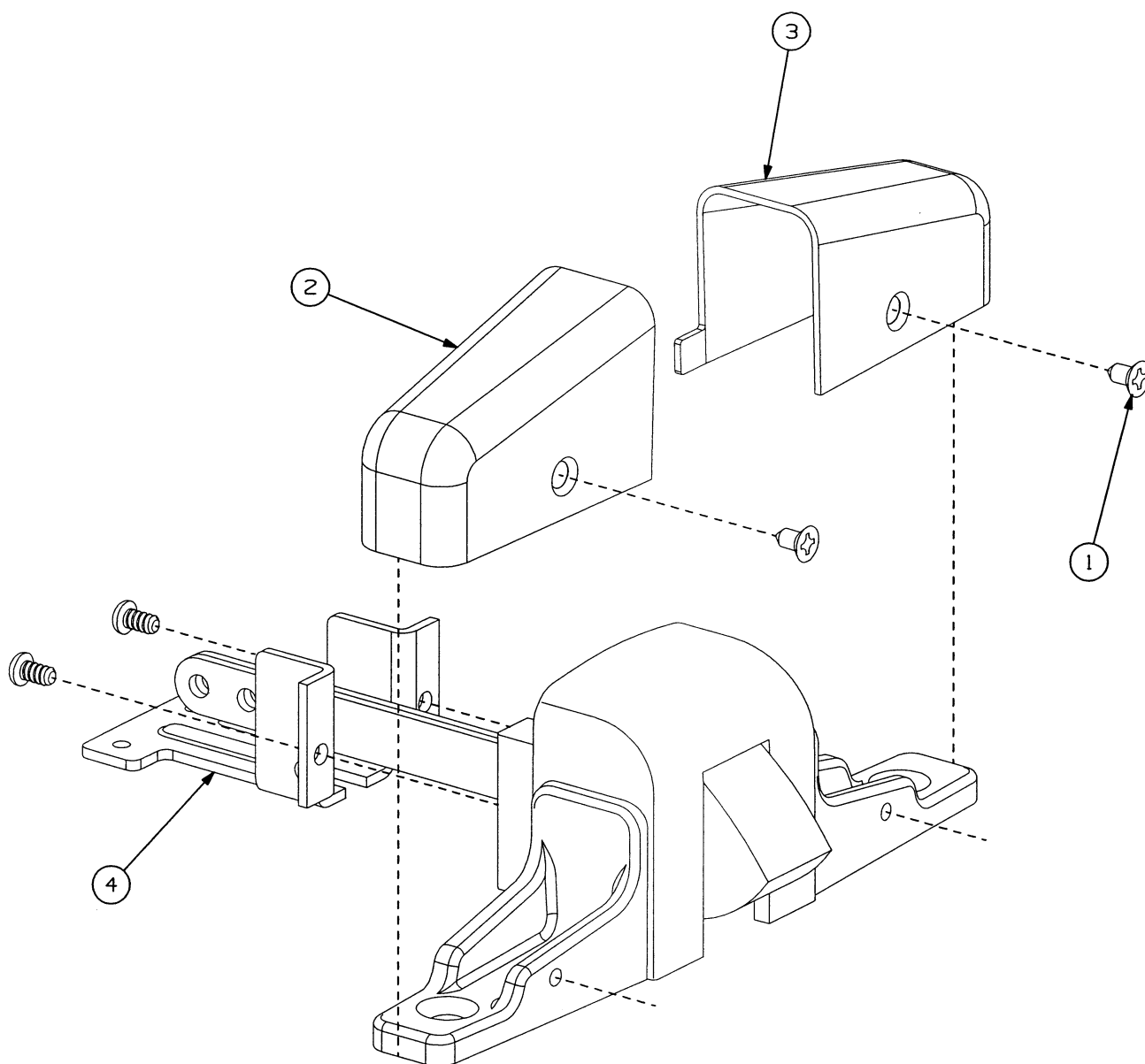
ITEM NO.	QTY	PART NO.	DESCRIPTION	FINISH
1	1	971495	Dogging Adaptor	
2	1	971494	Dogging Adaptor Spring	
3	1	971493	Dogging Spring	
4	1	971492	Hex Dogging Shaft	
5	1	971491	Dogging Hook	
6	1	971351	Latch Return Spring	
7	4	971308	Rubber Bumper	



CENTER CASE ASSEMBLY WITH COVERS

ITEM NO.	QTY	PART NO.	DESCRIPTION	FINISH
1	1	900850	33/35 Center Case Cover Screw Pkg. (Pack of 2)	X
2	1	966282	33/35 Series Center Case Cover - LH	X
3	1	966283	33/35 Series Center Case Cover - RH	X
4	1	969290	Base Plate Extension	

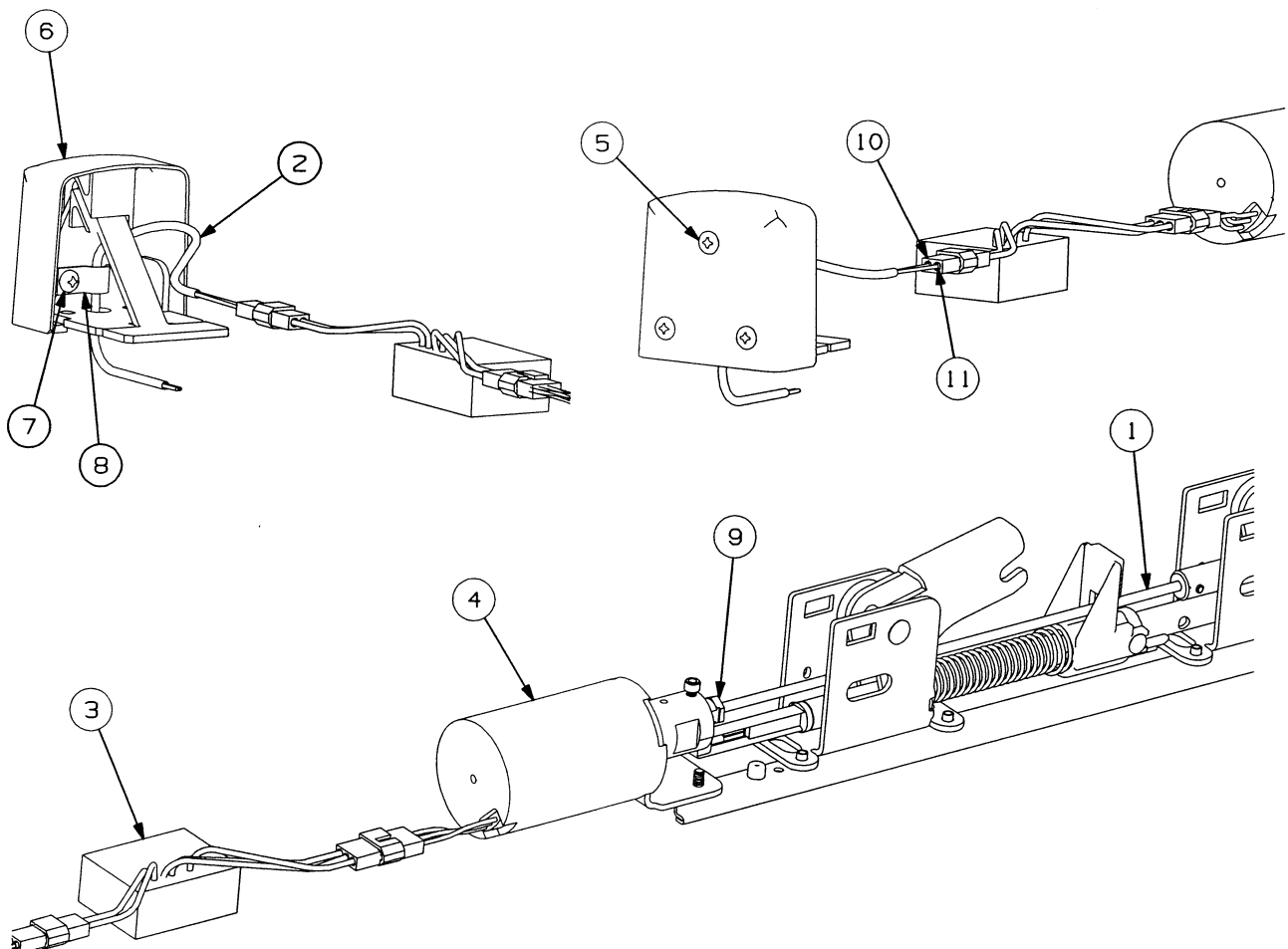
X DESIGNATES FINISHED ITEMS AND FINISH MUST BE SPECIFIED WHEN ORDERING



EL33/35 ELECTRIC LATCH RETRACTION OPTION

ITEM NO.	QTY	PART NO.	DESCRIPTION	FINISH
1	1	110007	EL Dogging Rod Assembly - 3' Device	
1	1	110008	EL Dogging Rod Assembly - 4' Device	
2	1	110388	EL 6' Cable and Connector	
3	1	110741	Potted Circuit Breaker (EL Solenoid)	
4	1	112915	EL Solenoid Assembly	
5	1	900901	Mechanism End Cap Screw Pkg. (Pack of 3)	X
6	1	900902	33/35 Series End Cap and Bracket Assembly	X
7	1	963943	Cable Clamp Screw	
8	1	970549	EL Cable Clamp	
9	1	971326	Dogging Rod Retainer	
10	1	990598	EL Receptacle Connector	
11	2	990592	Female Terminal - EL/SS/E & SS7500	

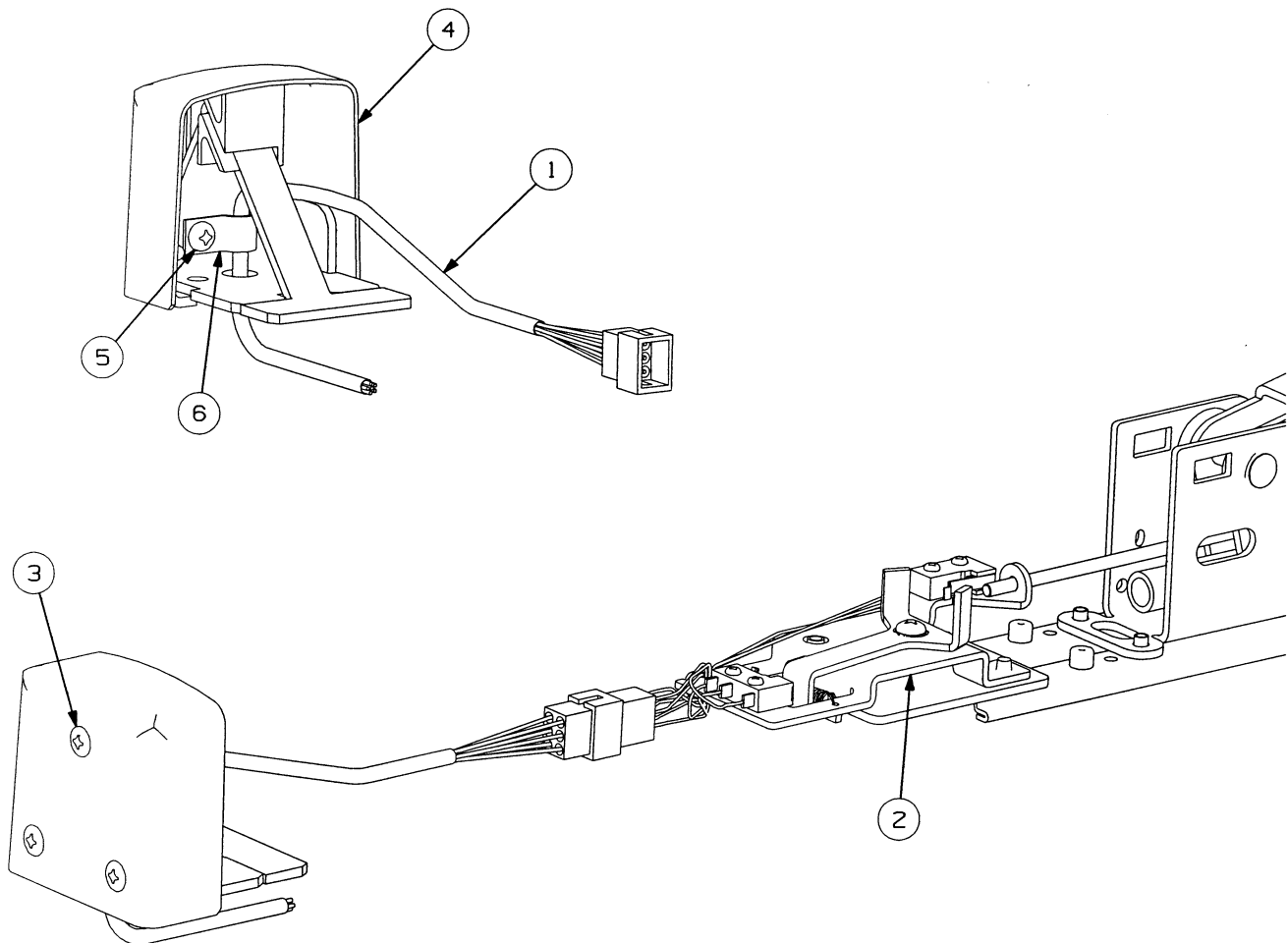
X DESIGNATES FINISHED PART AND FINISH MUST BE SPECIFIED WHEN ORDERING



SS33/35 (SIGNAL SWITCH) OPTION

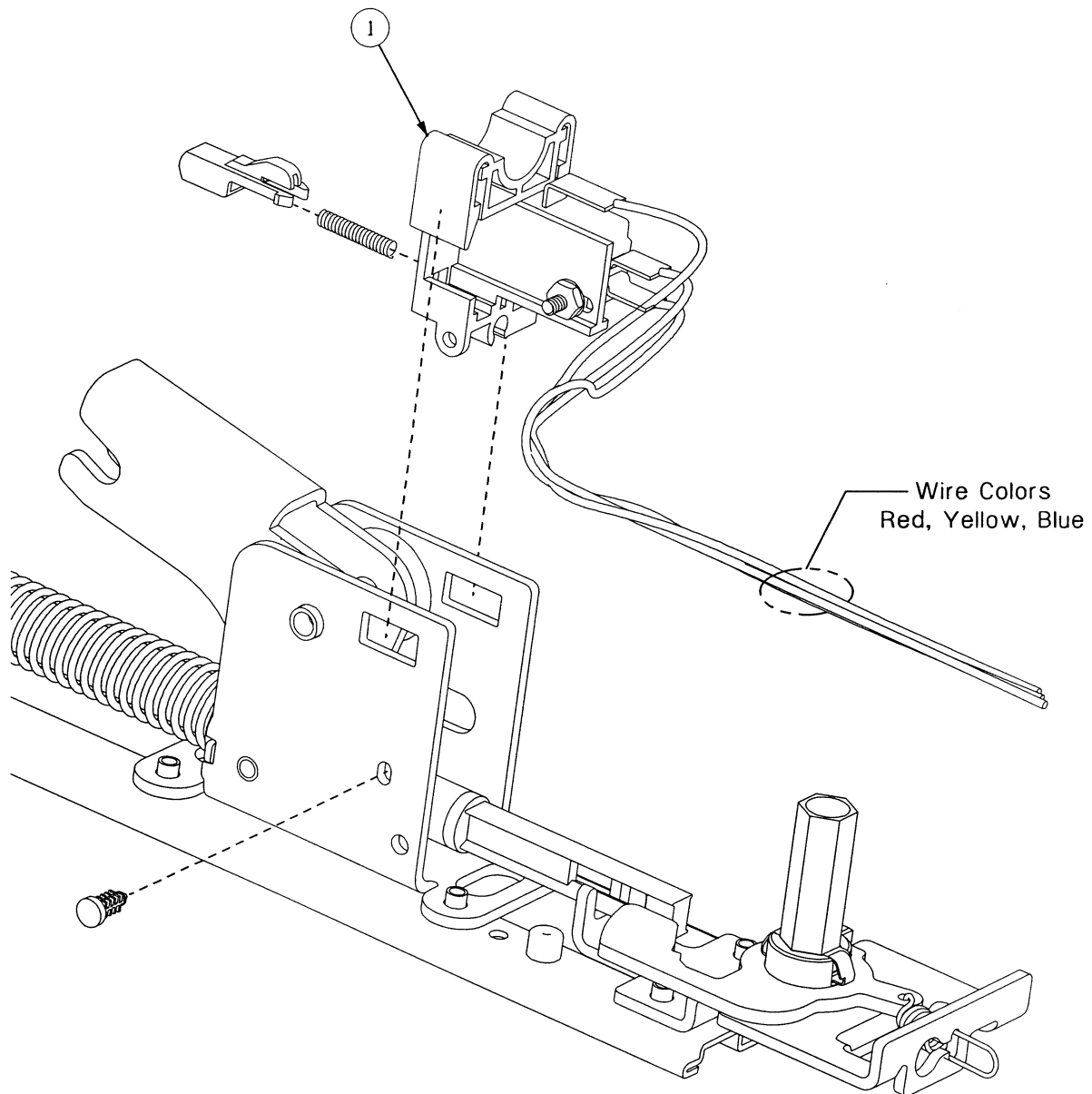
ITEM NO.	QTY	PART NO.	DESCRIPTION	FINISH
1	1	110472	SS Cable Assembly	
2	1	110658	SS Housing Assembly	
3	1	900901	Mechanism End Cap Screw Pkg. (Pack of 3)	X
4	1	900902	33/35 Series End Cap and Bracket Assembly	X
5	1	963943	Cable Clamp Screw	
6	1	970549	EL Cable Clamp	

X DESIGNATES FINISHED PARTS AND FINISH MUST BE SPECIFIED WHEN ORDERING



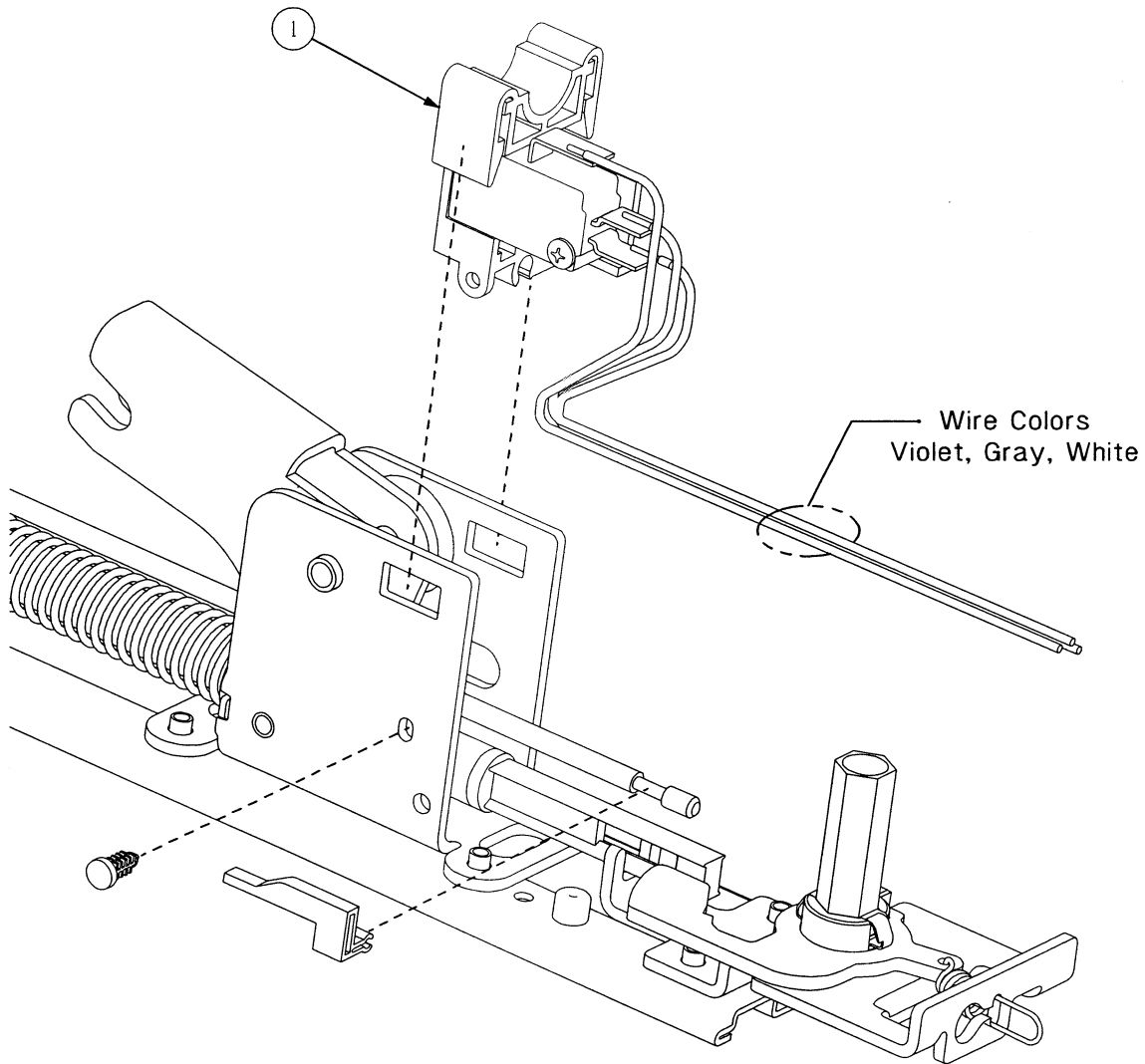
33/35 RX (REQUEST TO EXIT) OPTION

ITEM NO.	QTY	PART NO.	DESCRIPTION	FINISH
1	1	050251	RX/SI Switch Option (shown)	
1	1	050256	RX/LX Switch Kit 3'0 Device	
1	1	050257	RX/LX Switch Kit 4'0 Device	
1	1	050259	RX/LX-EL Switch Kit	

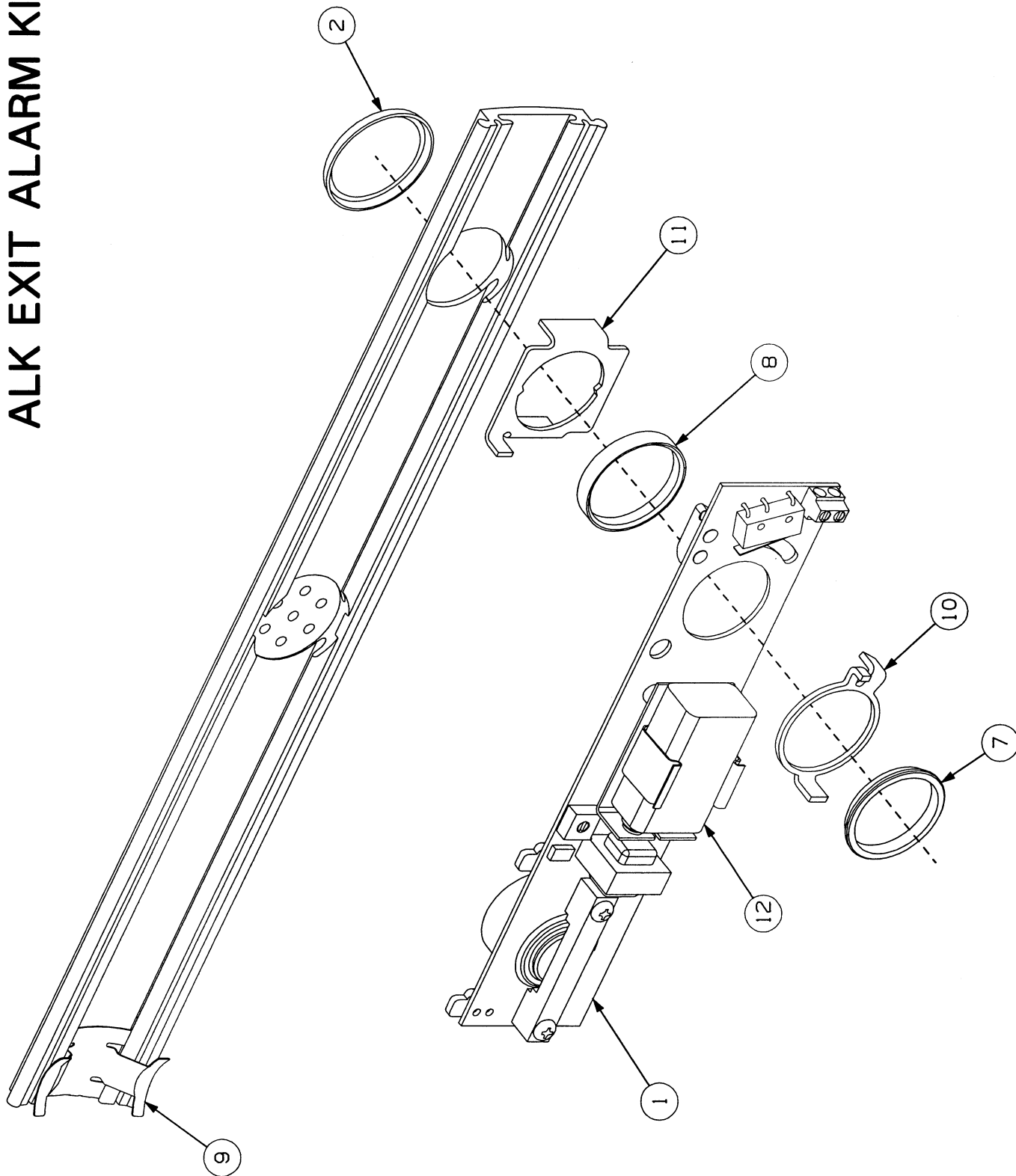


33/35 LX (LATCH BOLT MONITORING) OPTION

ITEM NO.	QTY	PART NO.	DESCRIPTION	FINISH
1	1	050254	LX Switch Kit 3'0 Device (shown)	
1	1	050255	LX Switch Kit 4'0 Device	
1	1	050247	LX-EL Switch Kit	
1	1	050256	RX/LX Switch Kit 3'0 Device	
1	1	050257	RX/LX Switch Kit 4'0 Device	
1	1	050259	RX/LX-EL Switch Kit	



33/35 SERIES ALK EXIT ALARM KIT

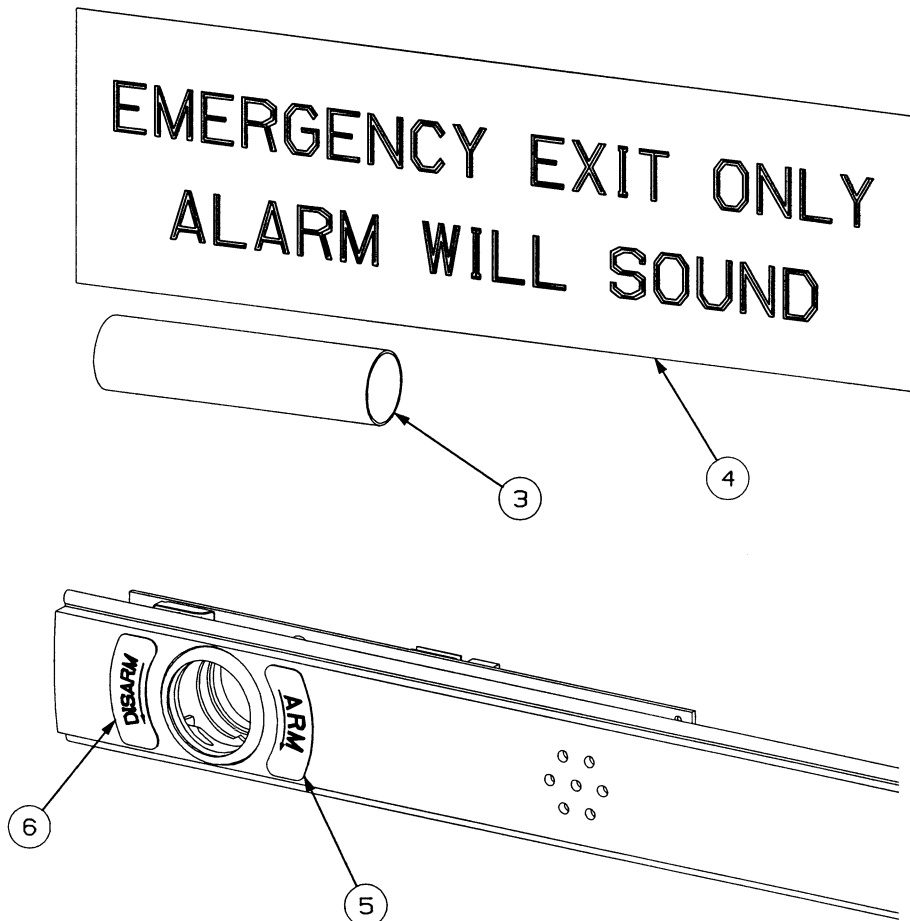


33/35 SERIES ALK EXIT ALARM KIT

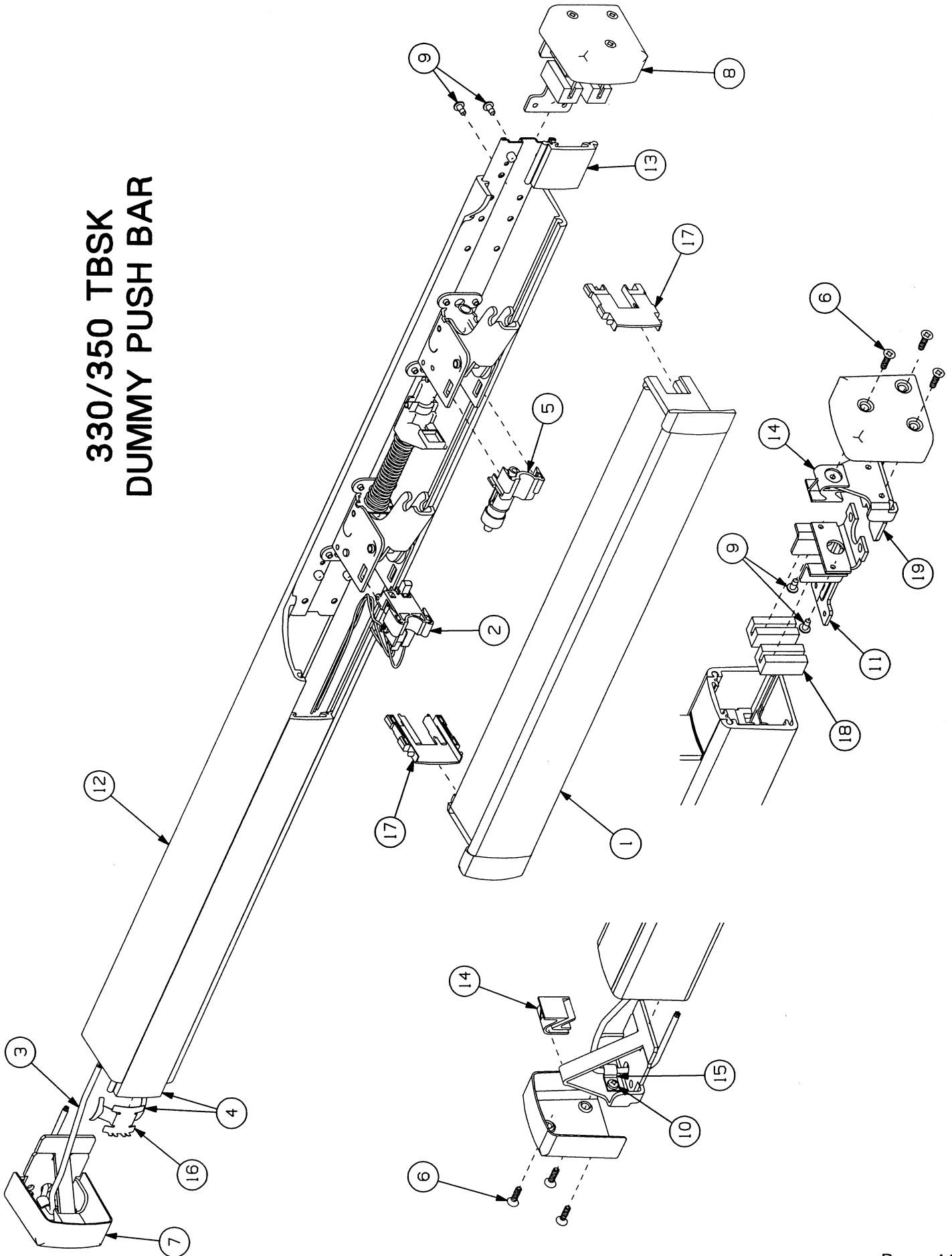
ITEM NO.	QTY	PART NO.	DESCRIPTION	FINISH
1	1	111795	ALK PCB Assembly	
2	1	961267	Cylinder Collar 880-M/990-M/696/334	X
3	1	963325	Cardboard Tube - ALK/5200 Sign	
4	1	969122	ALK Alarm Device Sign	
5	1	969349	ALK Arming Label	
6	1	969350	ALK Disarming Label	
7	1	969354	Retainer Nut	
8	1	970594	ALK Cylinder Spacer	
9	1	970719	Cover Plate Anti-rattle Spring	
10	1	971556	ALK Switch Actuator	
11	1	971557	ALK Cylinder Bracket	
12	1	990637	ALK Battery	

X DESIGNATES FINISHED ITEMS AND FINISH MUST BE SPECIFIED WHEN ORDERING

NOTE: SEE PAGE 10 FOR RX SWITCH OPTION AND PAGE 11 FOR LX SWITCH OPTION



330/350 TBSK DUMMY PUSH BAR

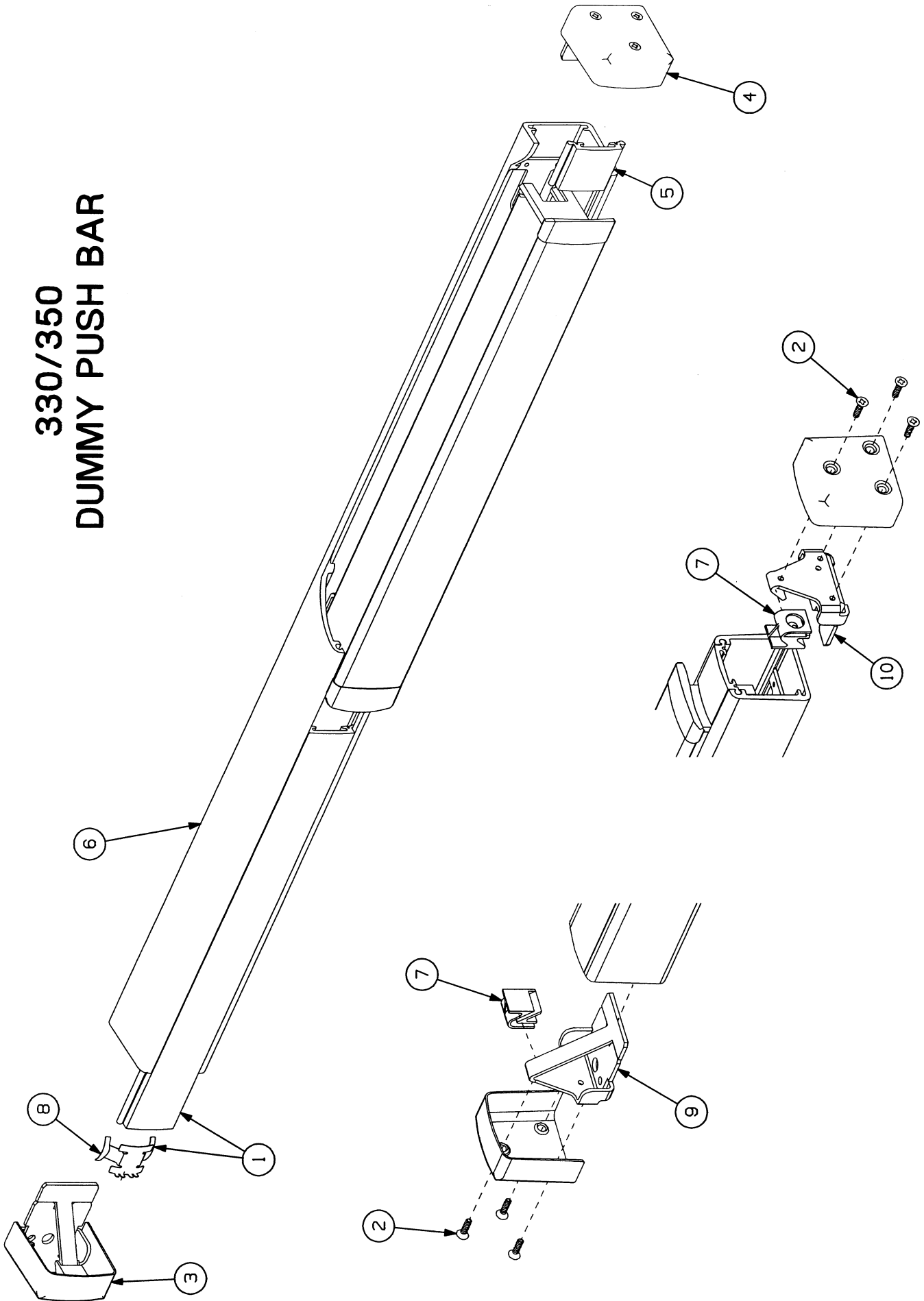


330/350 TBSK DUMMY PUSH BAR

ITEM NO.	QTY	PART NO.	DESCRIPTION	FINISH
	1	900835	330/350 Push Bar Mounting Pkg. (1-3/4)	
1	1	050158	33/35 Series Push Bar Retrofit Kit - 3' Door	X
1	1	050159	33/35 Series Push Bar Retrofit Kit - 4' Door	X
2	1	050251	RX/SI Switch Option	
3	1	110472	SS Cable Assembly	
4	1	110668	3347-F Cover Plate - 3' Door	X
4	1	110669	3347-F Cover Plate - 4' Door	X
4	1	111553	3547-F Cover Plate - 3' Door	X
4	1	111554	3547-F Cover Plate - 4' Door	X
5	1	112727	Shock Absorber & Holder Assembly	
6	2	900892	98/99 Center Case Cover Screw Pkg. (Pack of 4)	X
7	1	900907	TBSK Endcap and Bracket Assembly	X
8	1	900949	330/350 End Cap and Bracket Assembly	X
9	4	963094	#8-32 x 5/16" PPHMS Threadforming	
10	1	963943	Cable Clamp Screw	
11	1	969290	Base Plate Extension	
12	1	968638	33 Mechanism Case - 3' Door	X
12	1	968639	33 Mechanism Case - 4' Door	X
12	1	970193	35 Mechanism Case - 3' Door	X
12	1	970194	35 Mechanism Case - 4' Door	X
13	1	968430	33 Cover Plate - Center Case Side	X
13	1	970200	35 Cover Plate - Center Case Side	X
14	2	970548	Cover Plate Stop - End Cap	
15	1	970549	EL Cable Clamp	
16	1	970719	Cover Plate Anti-rattle Spring	
17	2	971066	Touch Bar Guide - Cover Plate	
18	2	971367	SS330/350/TBSK Spacer	
19	1	971635	330/350 Mech. Case Mounting Bracket	

X DESIGNATES FINISHED ITEMS AND FINISH MUST BE SPECIFIED WHEN ORDERING

330/350 DUMMY PUSH BAR



330/350 DUMMY PUSH BAR

ITEM NO.	QTY	PART NO.	DESCRIPTION	FINISH
	1	900835	330/350 Push Bar Mounting Pkg. (1-3/4)	
1	1	110668	3347-F Cover Plate - 3' Door	X
1	1	110669	3347-F Cover Plate - 4' Door	X
1	1	111553	3547-F Cover Plate - 3' Door	X
1	1	111554	3547-F Cover Plate - 4' Door	X
2	2	900892	98/99 Center Case Cover Screw Pkg. (Pack of 4)	X
3	1	900902	33/35 Series End Cap and Bracket Assembly	X
4	1	900949	330/350 End Cap and Bracket Assembly	X
5	1	968430	33 Cover Plate - Center Case Side	X
5	1	970200	35 Cover Plate - Center Case Side	X
6	1	968638	33 Mechanism Case - 3' Door	X
6	1	968639	33 Mechanism Case - 4' Door	X
6	1	970193	35 Mechanism Case - 3' Door	X
6	1	970194	35 Mechanism Case - 4' Door	X
7	2	970548	Cover Plate Stop - End Cap	
8	1	970719	Cover Plate Anti-rattle Spring	
9	1	971486	Mechanical End Cap Bracket	
10	1	971635	330/350 Mech. Case Mounting Bracket	

X DESIGNATES FINISHED ITEMS AND FINISH MUST BE SPECIFIED WHEN ORDERING