

ELECTRIFICATION OPTIONS AND ACCESSORIES

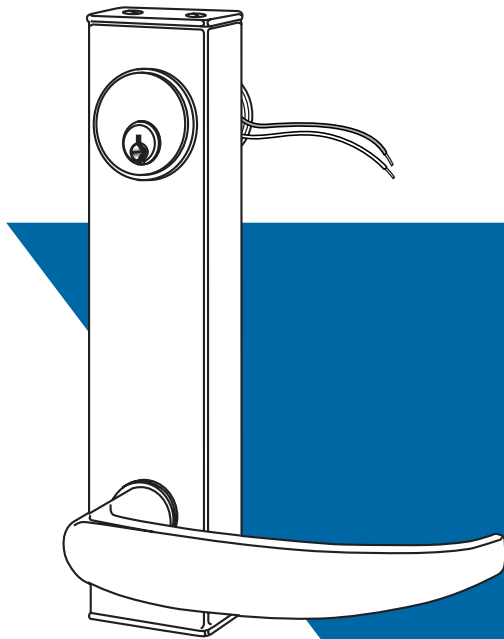


AC-21

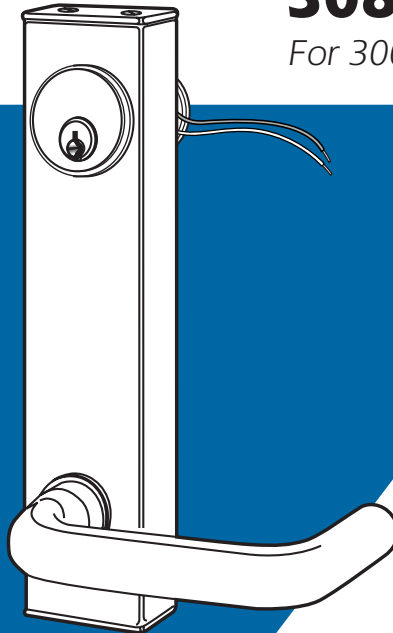
Electrified Entry Trim

3080E Series

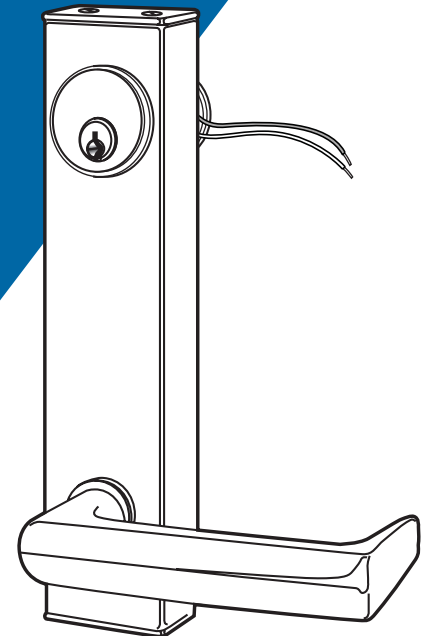
For 3000/8000 Series Exit Devices



3081E
Curved Handle



3082E
Round Handle



3083E
Square Handle

▼ Heavy Duty Clutch

Breakaway clutching mechanism protects the locked handle from vandalism or forced entry, in either direction. This also makes the trim rehandable in the field.

▼ Function

The 3080E Series provides outside activation of wood, hollow metal or narrow stile aluminum doors that have any type of Adams Rite Exit Device. A continuous duty solenoid mounted to the trim enables remote activation of the locking function without unlatching the door, making this trim ideal for stairwell and fire doors. The 3080E Series operates as specified in either 12 (.5 amp) or 24 (.25 amp) VDC, using a rectifier and transformer. (See page AC-16). Accepts any standard mortise cylinder with MS cam.

▼ Escutcheon

Measures approx. 2" x 8" x 1-1/4". Can be ordered with or without a cylinder hole for key override control.

▼ Modular Construction

All models share the same core components, so handles can be changed without having to replace the entire trim. Solid construction meets Grade 1 standards.

▼ Fail Safe/Fail Secure

Trim can be ordered Fail Secure or Fail Safe.



ADAMS RITE
MANUFACTURING CO.

260 Santa Fe Street
Pomona, California 91767
(800) 872-3267 Fax:(800) 232-7329
www.adamsrite.com

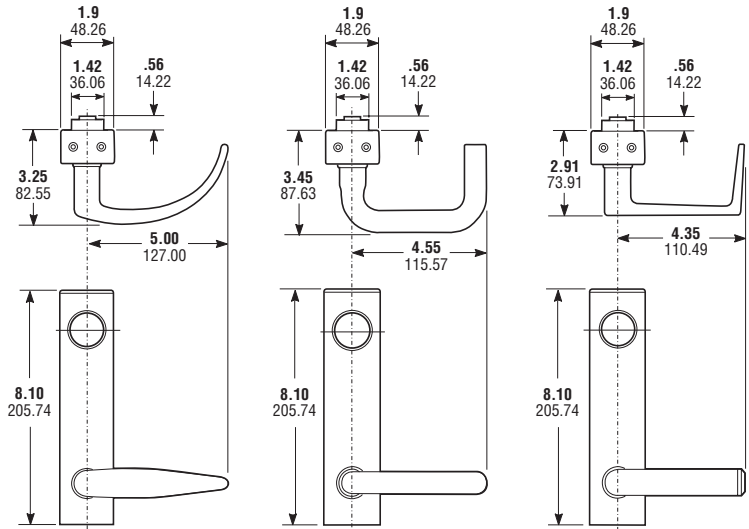


3080E Entry Trim

DIMENSIONS

INCHES
MILLIMETERS

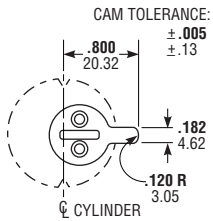
Nominal, subject to tolerance extremes.



3081E
Curved Handle

3082E
Round Handle

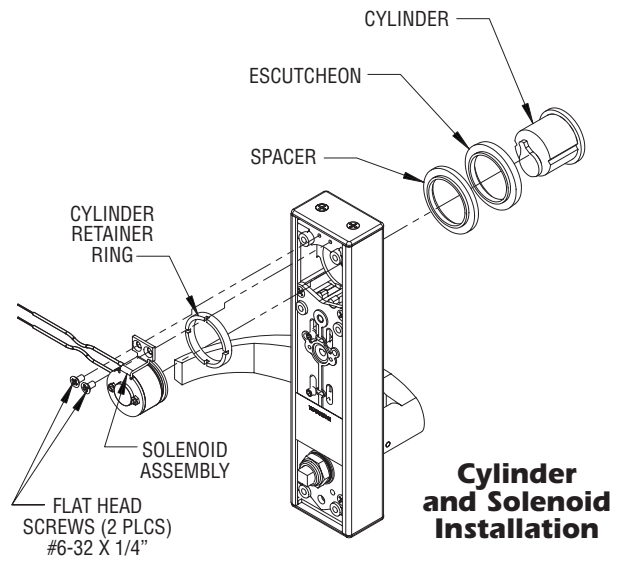
3083E
Square Handle



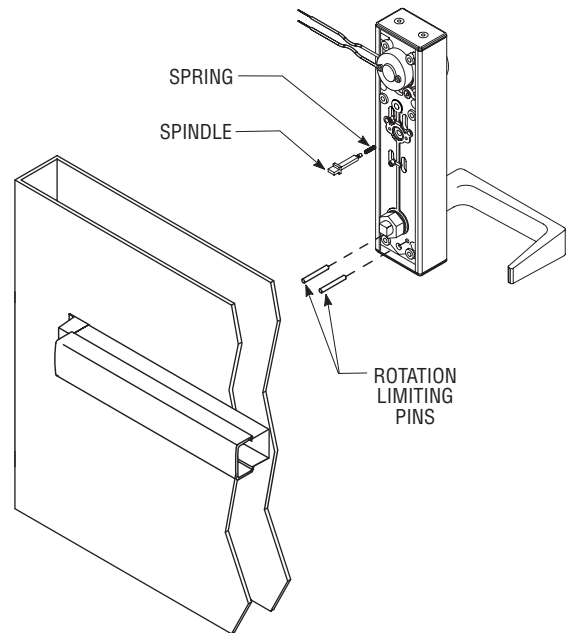
Cylinder Cam

3080E Series Entry Trim accept any standard 1-5/32" diameter mortise cylinder with special MS® cam dimensioned as shown. Cylinders with MS® cams can be readily obtained from most cylinder manufacturers. See page SW-28 for cylinder make and trim ring information.

INSTALLATION



Cylinder and Solenoid Installation



HOW TO ORDER

Specify quantity and the following information.
Order related hardware separately.

Handle	Cylinder Hole	Exit Device	Function
1E Curved	3 with hole	1 SVR 6 CVR	0 Fail Secure
2E Round	9 w/o hole	3 Mortise 7 Rim	5 Fail Safe
3E Square		4 39/8900 9 None	

3081E-33-30-US3

Voltage	Finish
3 12 Volt DC	US3 Bright Brass 10B Dark Bronze
5 24 Volt DC	US4 Satin Brass US26 Bright Chrome
	US9 Bright Bronze US26D Satin Chrome
	US10 Satin Bronze SP Special

Door Preparation and Trim Installation

Door prep and installation will differ depending on type of exit device being used. Refer to Adams Rite Templates for 3080 Series Entry Trim preparation details.

OPTIONS

Can be ordered with or without a hole for cylinder. Order standard mortise cylinder with MS cam separately. Order 4603 Rectifier, 4605/4606 Transformer or PS-1 Power Supply separately.

STANDARD PACKAGE

Individually boxed with all mounting hardware. Shipped with handle in neutral position. Shipping weight approx. 3 lbs.