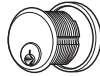
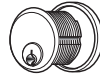
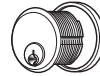
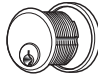
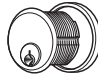


Trim & Function

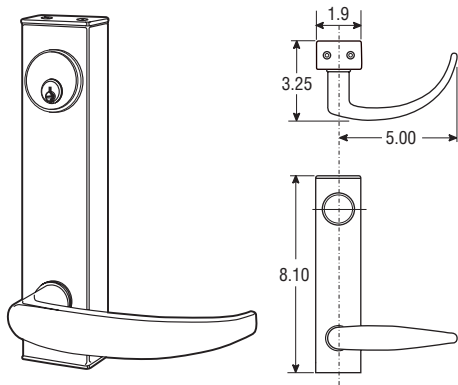
Mortise Exit Device

ANSI/BHMA Functions:

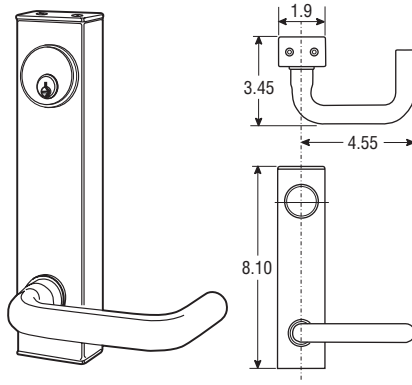
01	02	03	08	09	11	12	14
EXIT ONLY- NO TRIM	PULL ONLY WHEN DOGGED DUMMY TRIM	KEY RETRACTS LATCHBOLT NL	KEY LOCKS LEVER	KEY LOCKS LEVER NL	KEY LOCKS THUMBTURN 8300 ONLY	KEY LOCKS THUMBTURN NL 8300 ONLY	PASSAGE SET
CYLINDER TYPE							
N/A	N/A	MORTISE 	MORTISE 	MORTISE 	MORTISE 	MORTISE 	N/A

NL – Night Latch

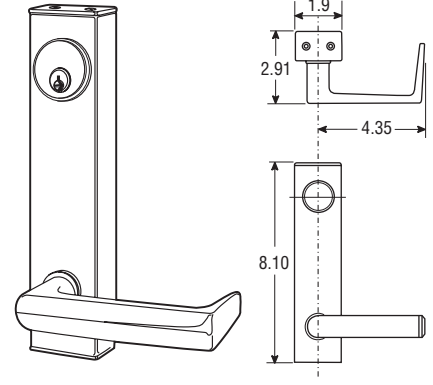
Clutch Lever Entry Trim



Modern Model 3081

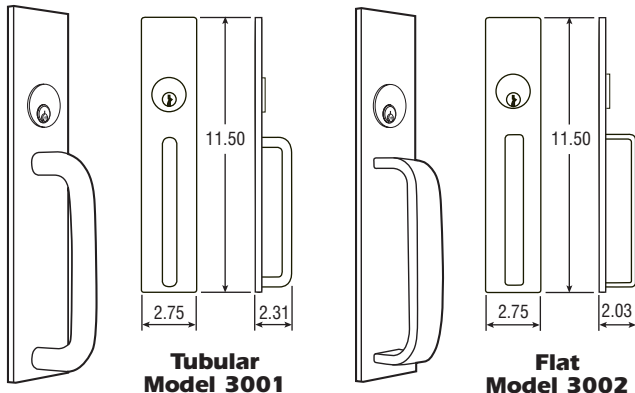


Tubular Model 3082



Traditional Model 3083

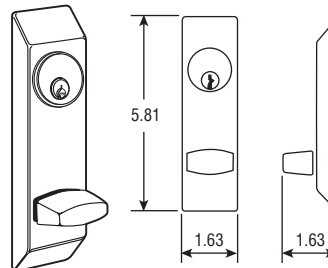
Fixed Pulls (US32 only)



Tubular Model 3001

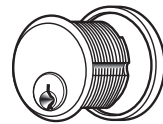
Flat Model 3002

Thumbturn



Model 8066
For 8300 only

Mortise Cylinder



4036-01

Standard diameter five-pin unit with MS® cam, suitable for use with Entry Trim on Rim exit devices. All brass construction with front "scalp" available in finishes 628, 313 and 335. Available in quantity all keyed different (KD), in pairs (KA2) or fifty alike (KA50). Any other make standard Mortise cylinder with MS® cam can be used to "key in" with existing systems.