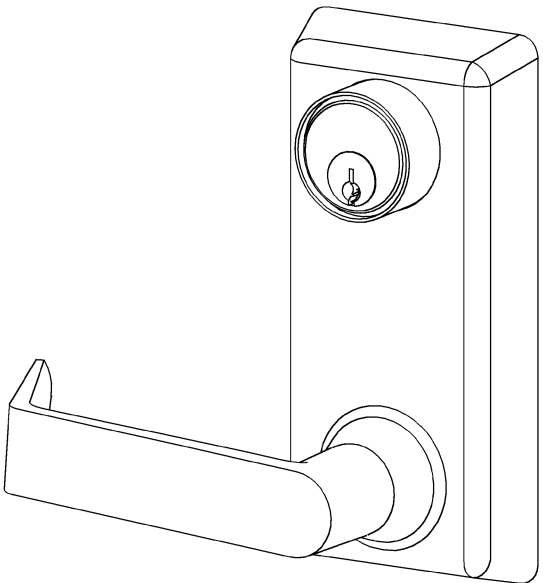
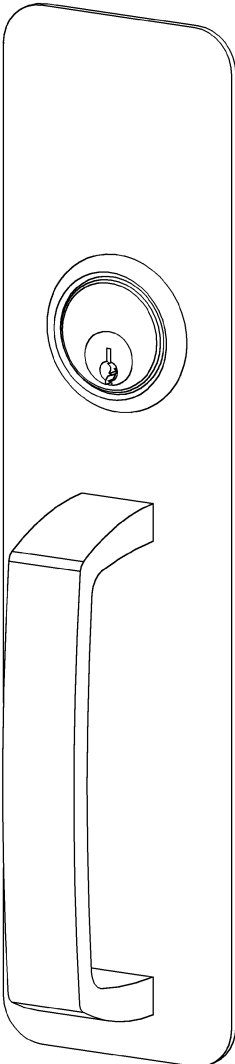
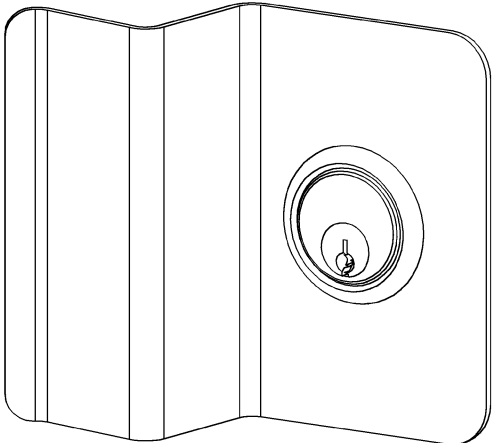
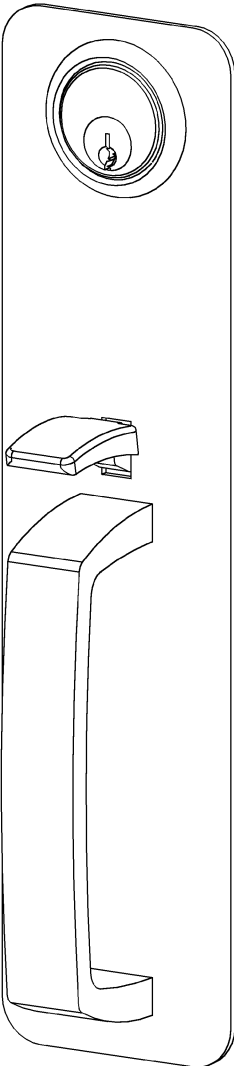
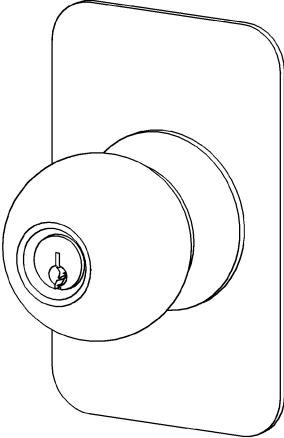


VON DUPRIN

PARTS MANUAL

SEPTEMBER 1999

210/230 SERIES OUTSIDE TRIM



INDEX

General Information

How to Order	2
Finishes	2

210 Series Trim

DT Trim	3
NL Trim	3
K Trim	4

230 Series Trim

EO Trim	5
DT Trim	5
NL Trim	6
TP Trim	7
TP-BE Trim	8
L Trim	9

Misc.

110L-MD Cylinder Assembly	10
---------------------------------	----

INTRODUCTION

This Manual contains a listing of replaceable parts and assemblies for the 210/230 Series Trim.

HOW TO ORDER

Some parts are sold separately. Other items are available as part of an assembly. For the best possible service when ordering replacement parts or assemblies, please provide the following information:

- Part or Assembly number
- Description
- Quantity needed
- Finish desired (if available finished)
- Date of original purchase, if known

Exit Device Division
Ingersoll-Rand Company
2720 Tobey Drive
Indianapolis, Indiana 46219
Phone: (800) 999-0408
Fax: (800) 999-0328

PART NUMBER CHANGES

This manual reflects the product as sold in Sept. 1999. Because of changes to the product and/or manufacturing process, part numbers can change.

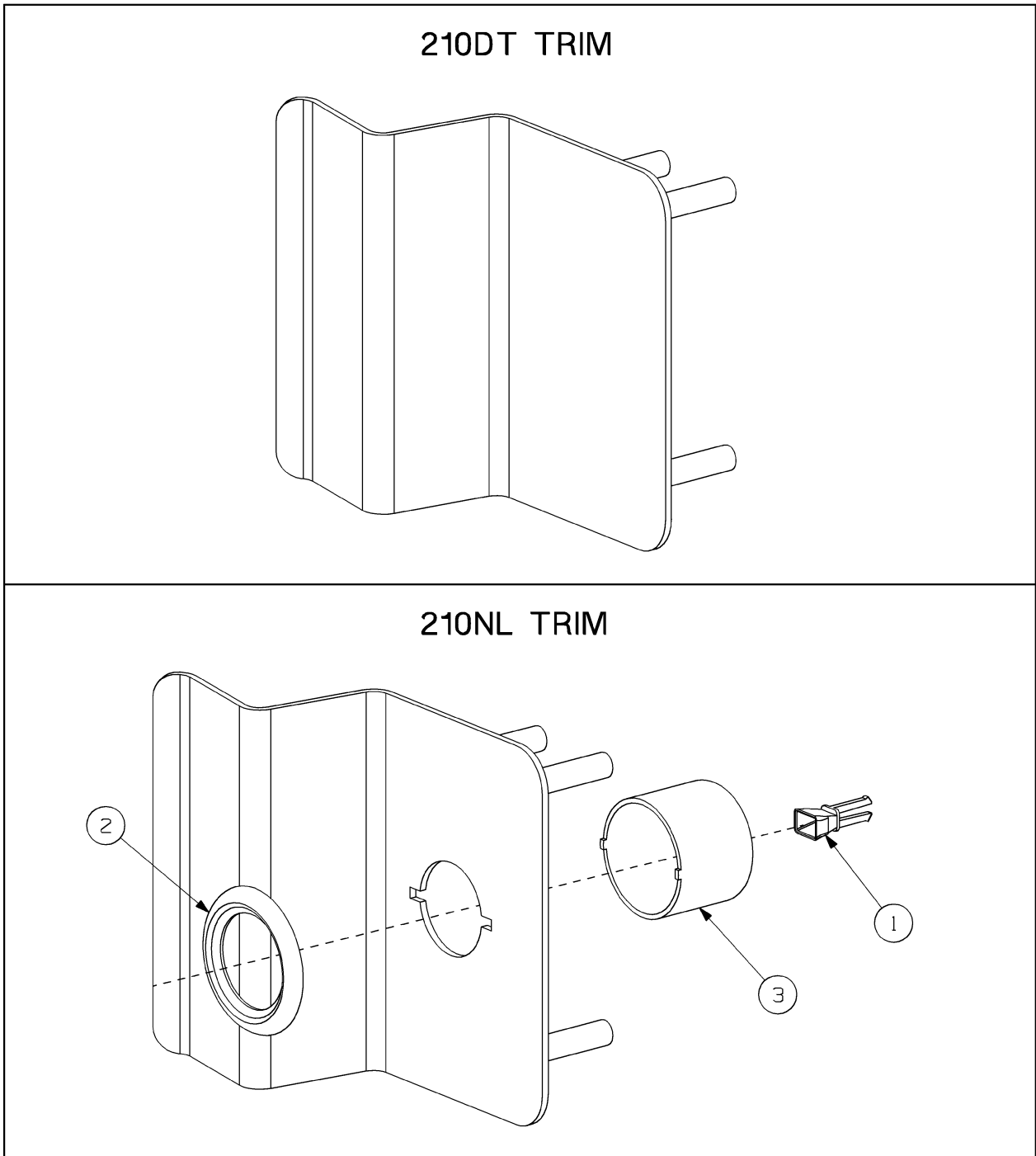
TRIM FINISHES

U.S. Std. Reference	BHMA Reference	Description
SP28	689	Lacquer Sprayed Aluminum
SP313	695	Painted 313 Dark Bronze

210DT & 210NL TRIM

ITEM NO.	QTY	PART NO.	DESCRIPTION	FINISH
1	1	050156	Tailpiece Guide Lead Kit (Pack of 10)	
2	1	965226	Cylinder Collar 880-R/990-R	X
3	1	968201	Cylinder Retaining Cup	

X DESIGNATES FINISHED ITEMS AND FINISH MUST BE SPECIFIED WHEN ORDERING

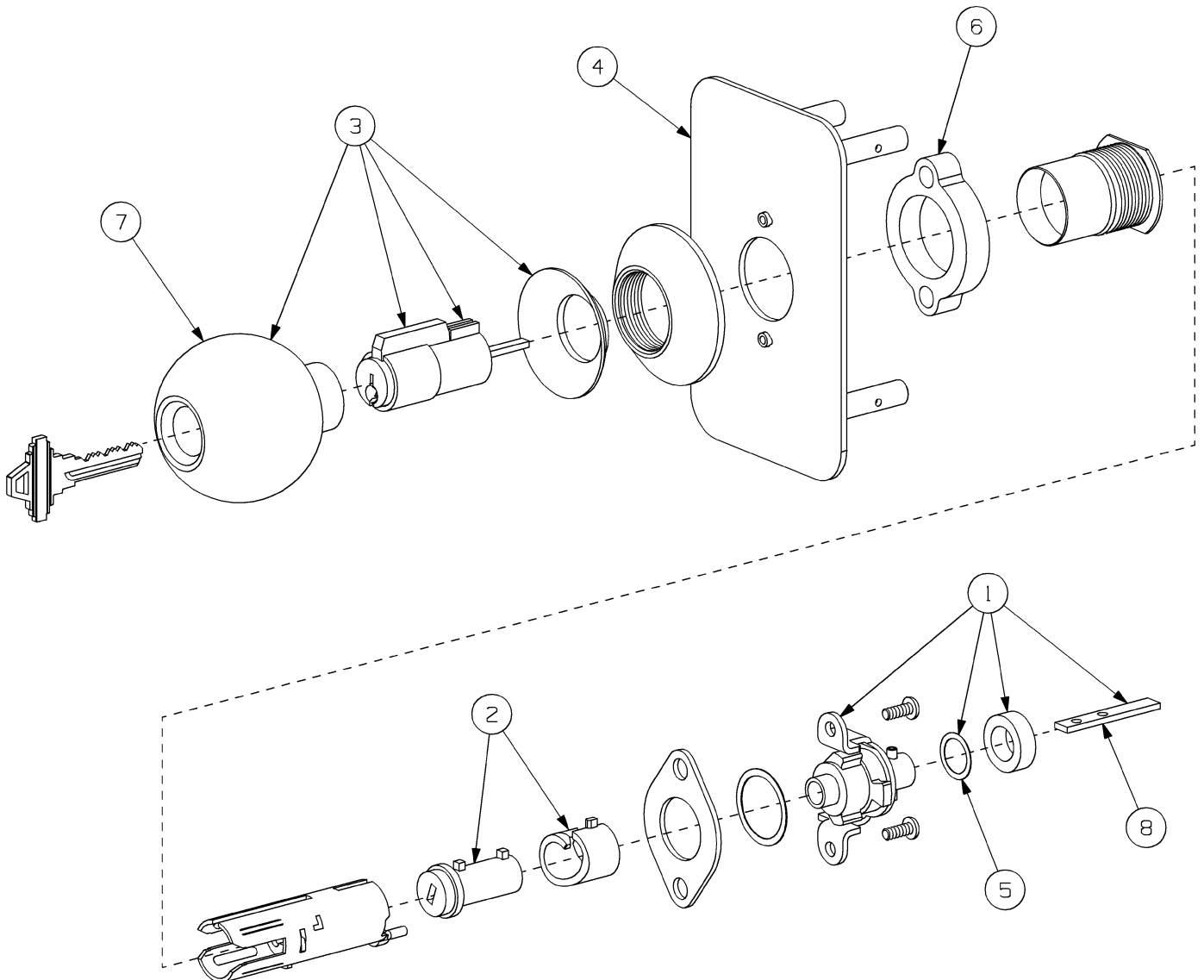


210K & 210K-BE TRIM

ITEM NO.	QTY	PART NO.	DESCRIPTION	FINISH
1	1	109871	210K/210K-BE Bracket & Booster Assembly	
2	1	109872	Spindel Cam Sub-Assembly (210K only)	
3	1	109873	Cylinder Knob Sub-Assembly (210K only)	X
4	1	109879	210K/210K-BE Trim Sub-Assembly	X
5	1	963757	Wave Spring Washer	
6	1	969140	Knob Spacer	
7	1	969157	210K Knob	X
7	1	969352	210K-BE Knob	X
8	1	970979	Spindle Shaft	

X DESIGNATES FINISHED ITEMS AND FINISH MUST BE SPECIFIED WHEN ORDERING

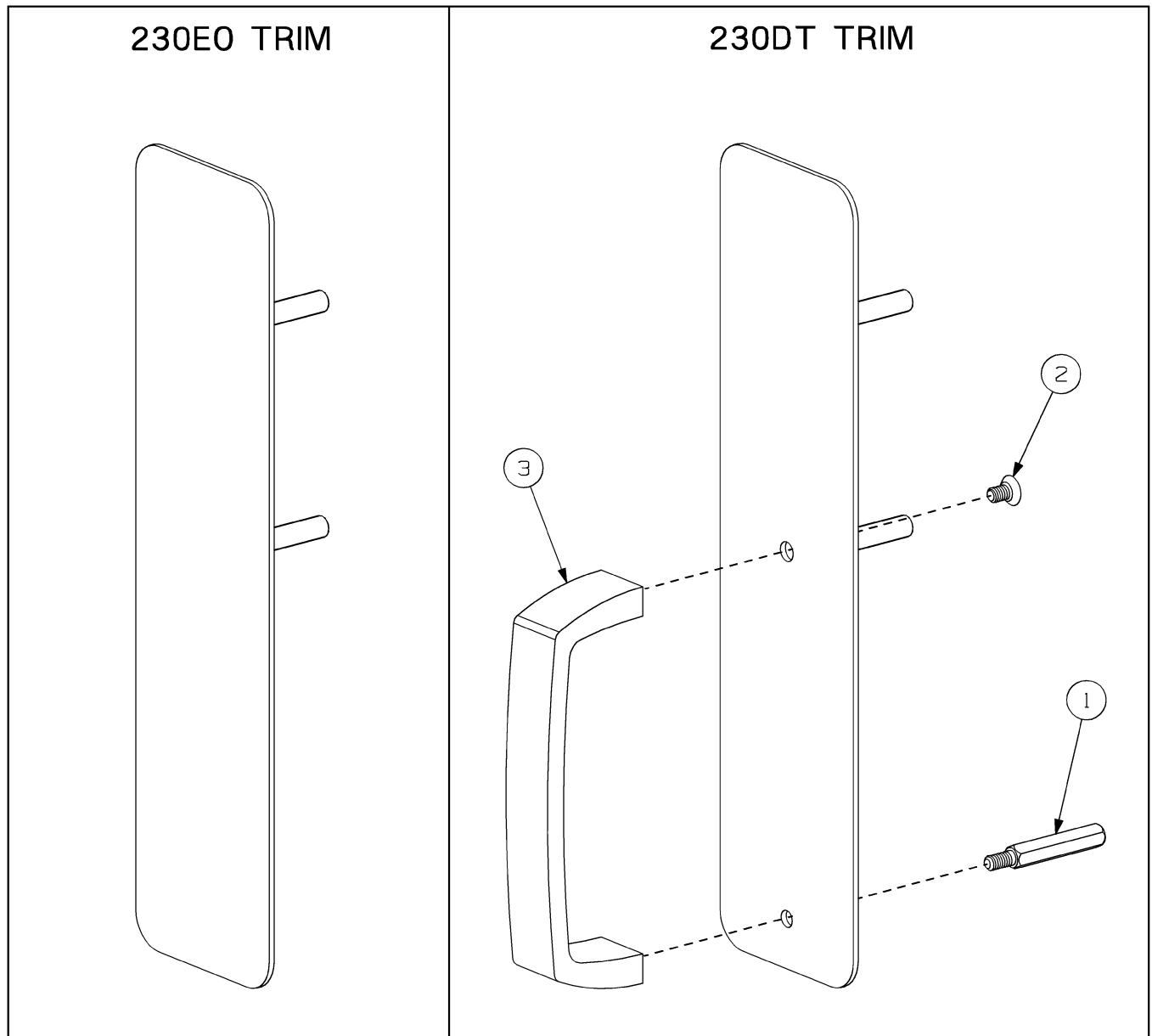
210K TRIM SHOWN



230EO & 230DT TRIM

ITEM NO.	QTY	PART NO.	DESCRIPTION	FINISH
	1	900853	990 Trim Screw Pack (1-3/4 & 2-1/4)	X
1	1	956760	Hex Stud - 880/990	
2	1	963579	#12-24 X 3/8 UFPHMS	
3	1	969925	230TP Pull Grip	X

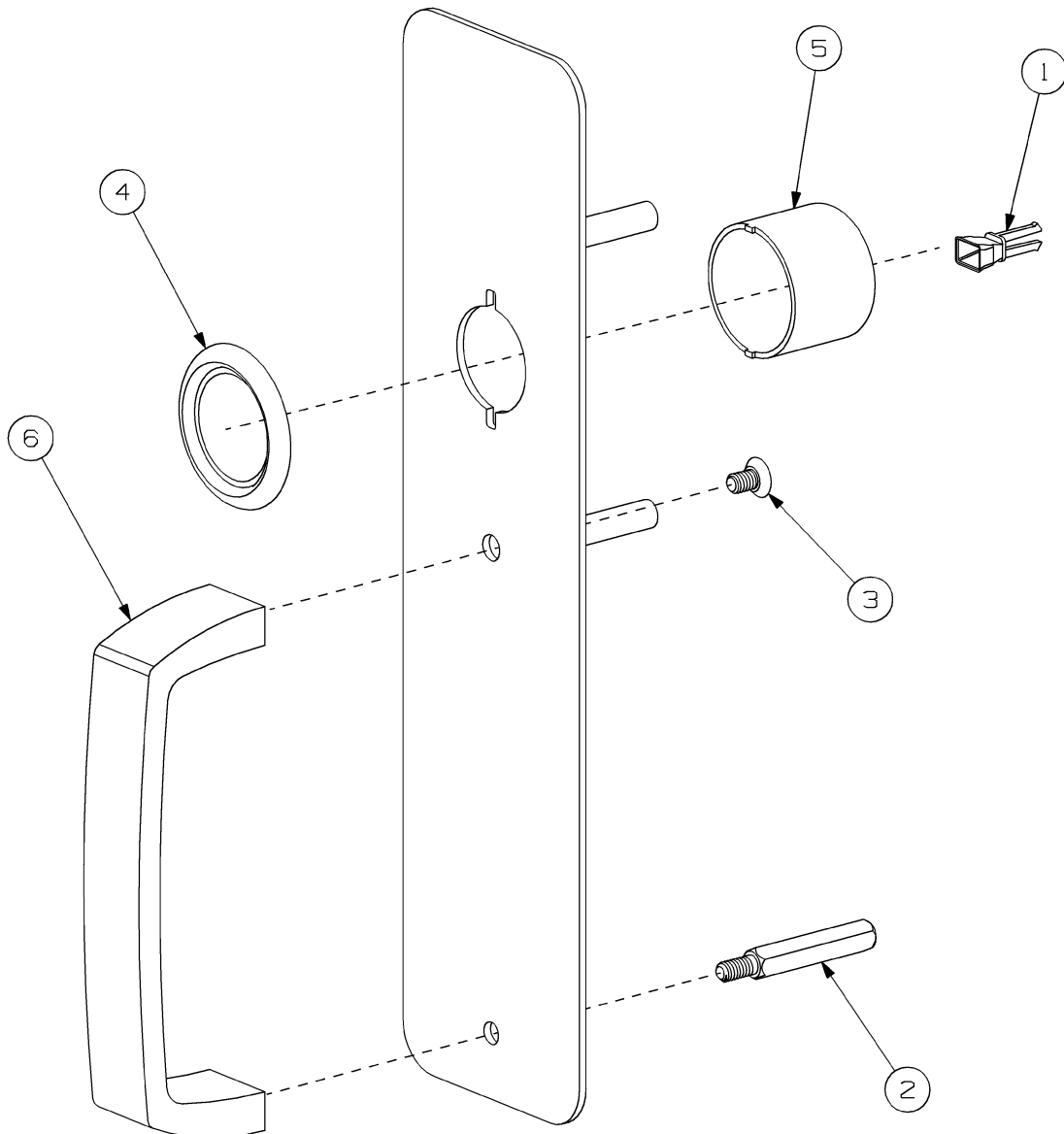
X DESIGNATES FINISHED ITEMS AND FINISH MUST BE SPECIFIED WHEN ORDERING



230NL TRIM

ITEM NO.	QTY	PART NO.	DESCRIPTION	FINISH
	1	900853	990 Trim Screw Pack (1-3/4 & 2-1/4)	X
1	1	050156	Tailpiece Guide Lead Kit (Pack of 10)	
2	1	956760	Hex Stud - 880/990	
3	1	963579	#12-24 X 3/8 UFPHMS	
4	1	965226	Cylinder Collar 880-R/990-R	X
5	1	968201	Cylinder Retaining Cup	
6	1	969925	230TP Pull Grip	X

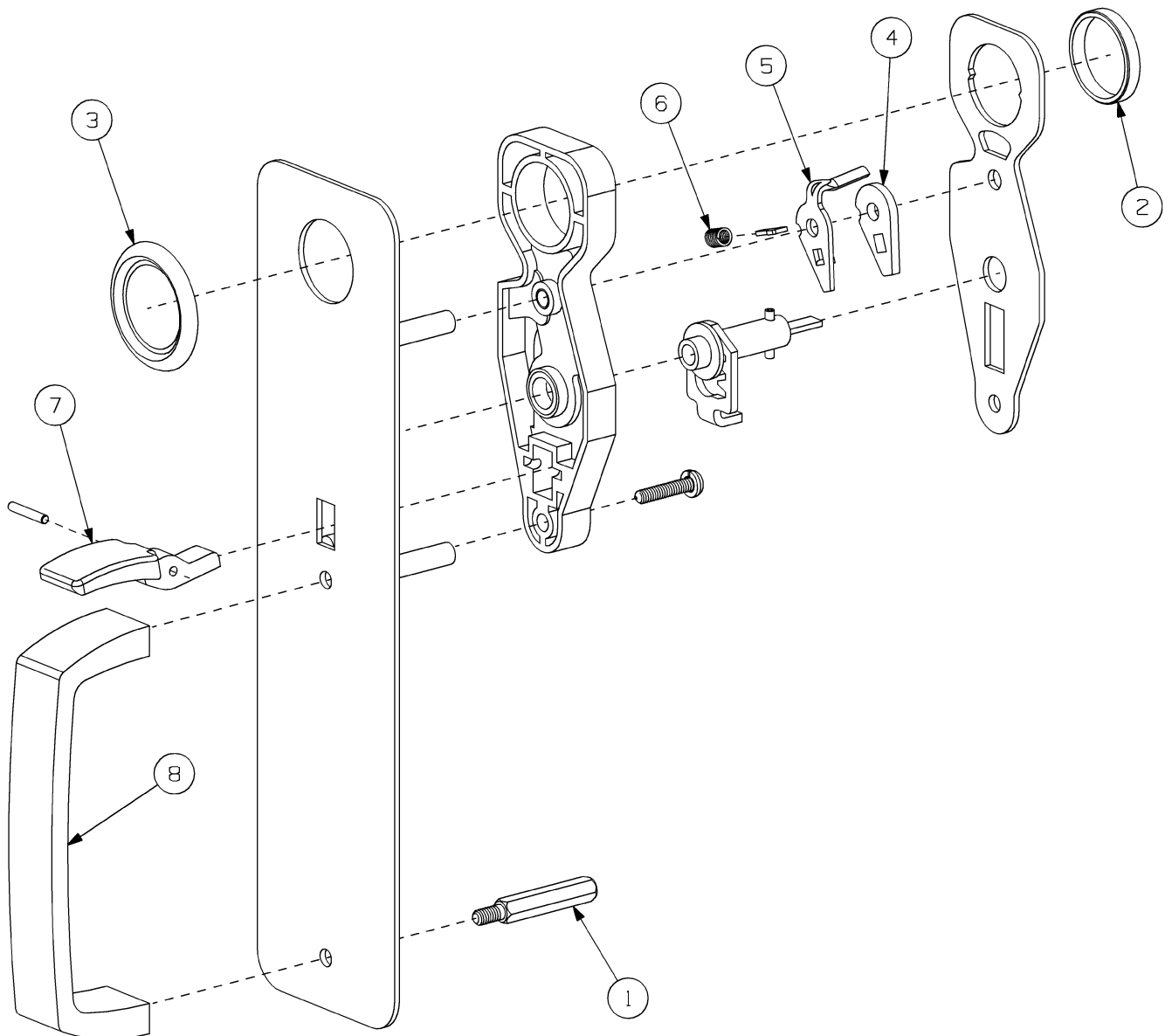
X DESIGNATES FINISHED ITEMS AND FINISH MUST BE SPECIFIED WHEN ORDERING



230TP TRIM

ITEM NO.	QTY	PART NO.	DESCRIPTION	FINISH
	1	900853	990 Trim Screw Pack (1-3/4 & 2-1/4)	X
1	1	956760	Hex Stud - 880/990	
2	1	959010	Cylinder Locknut	
3	1	965226	Cylinder Collar 880-R/990-R	X
4	1	969906	Locking Cam	
5	1	969908	Locking Cam Latch	
6	1	969909	Compression Spring	
7	1	969910	230TP Thumbpiece	X
8	1	969925	230TP Pull Grip	X

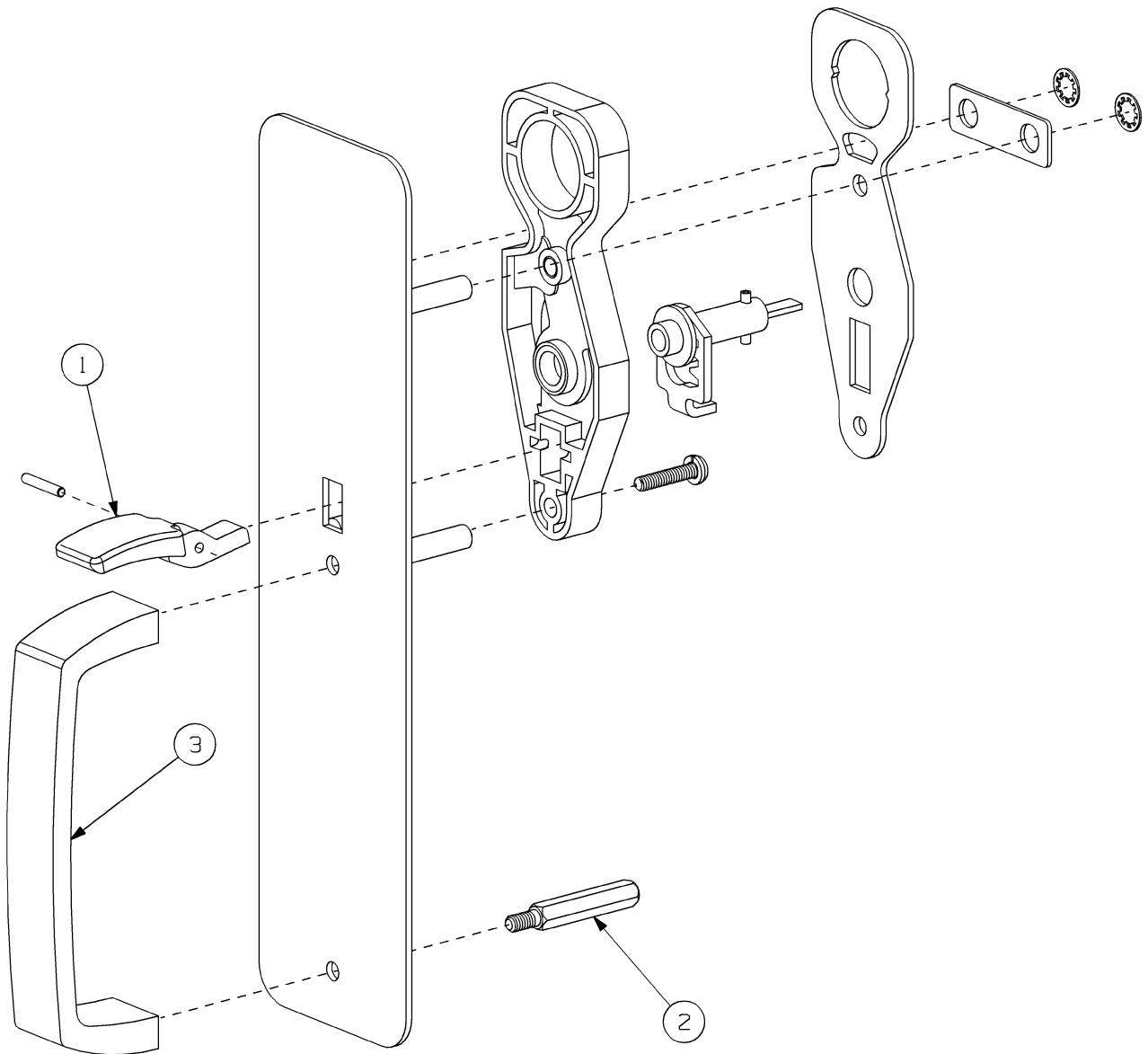
X DESIGNATES FINISHED ITEMS AND FINISH MUST BE SPECIFIED WHEN ORDERING



230TP-BE TRIM

ITEM NO.	QTY	PART NO.	DESCRIPTION	FINISH
	1	900853	990 Trim Screw Pack (1-3/4 & 2-1/4)	X
1	1	969910	230TP Thumbpiece	X
2	1	956760	Hex Stud - 880/990	
3	1	969925	230TP Pull Grip	X

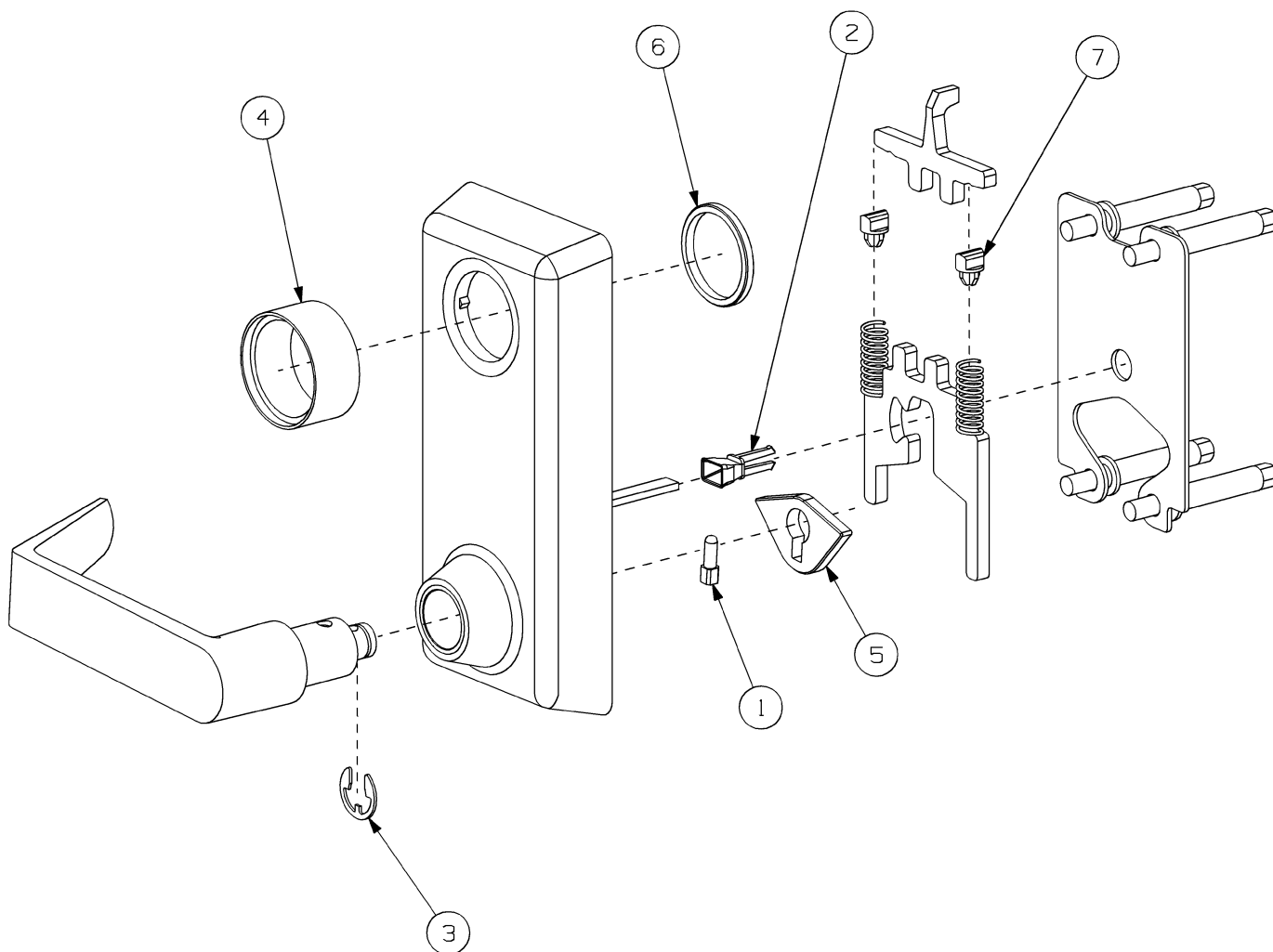
X DESIGNATES FINISHED ITEMS AND FINISH MUST BE SPECIFIED WHEN ORDERING



230L TRIM

ITEM NO.	QTY	PART NO.	DESCRIPTION	FINISH
1	1	050148	230L Shearpin Replacement Kit (Pack of 10)	
2	1	050156	Tailpiece Guide Lead Kit (Pack of 10)	
3	1	964334	Retaining Ring	
4	1	971249	230L Cylinder Collar	
5	1	971257	230L Lever Cam	
6	1	971258	230L Cylinder Locknut	
7	2	971497	230L Locking Plunger	

X DESIGNATES FINISHED ITEMS AND FINISH MUST BE SPECIFIED WHEN ORDERING



110NL-MD CYLINDER ASSEMBLY

ITEM NO.	QTY	PART NO.	DESCRIPTION	FINISH
1	2	959055	Special Cylinder Screw (1-3/4) - 550/555/556	
2	1	960060	Cylinder Spacer Collar - 550/555/556	
3	1	961180	Countersink Washer - 550	
4	1	967291	Cylinder Base - 550	X
5	1	971593	Cylinder Disc - 550	

X DESIGNATES FINISHED ITEMS AND FINISH MUST BE SPECIFIED WHEN ORDERING

