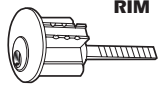






# Trim & Function

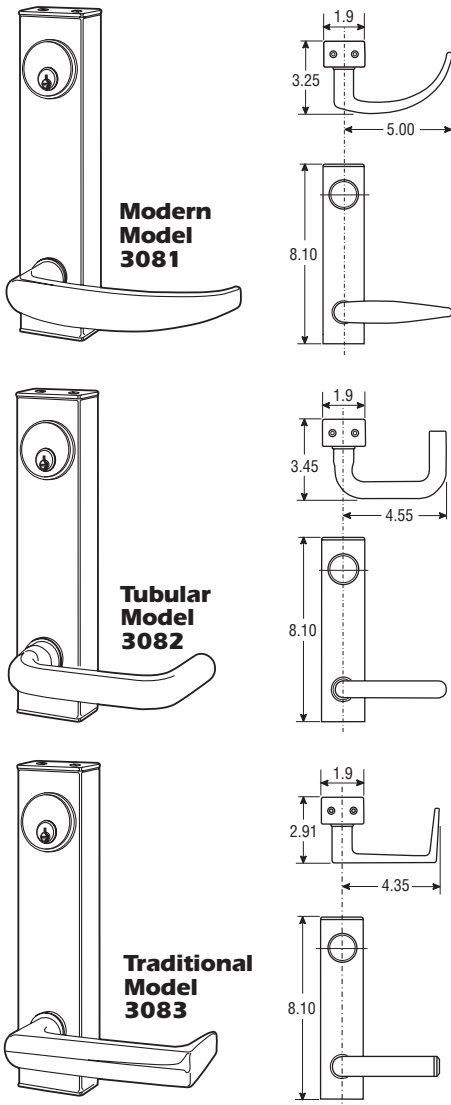
## Surface Vertical Rod Exit Device

### ANSI/BHMA Functions:

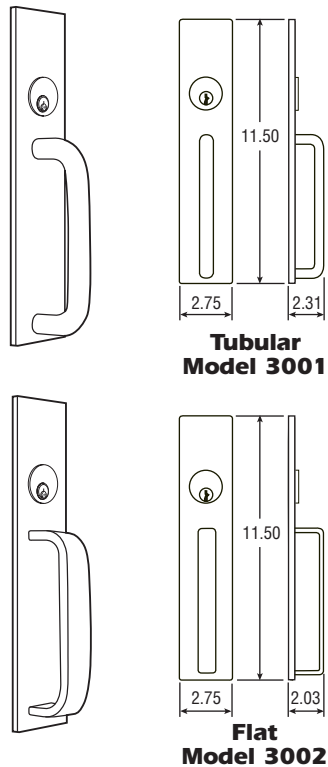
01	02	03	08	09	11	12	14
EXIT ONLY- NO TRIM	PULL ONLY WHEN DOGGED DUMMY TRIM	KEY RETRACTS LATCHBOLT NL	KEY LOCKS LEVER	KEY LOCKS LEVER NL	KEY LOCKS THUMBTURN 8100 ONLY	KEY LOCKS THUMBTURN NL 8100 ONLY	PASSAGE SET
<b>CYLINDER TYPE</b>							
N/A	N/A	RIM 	MORTISE 	MORTISE 	MORTISE 	MORTISE 	N/A

NL – Night Latch

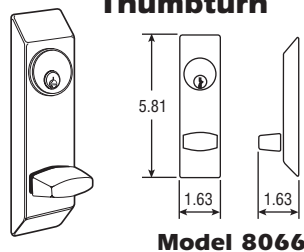
### Clutch Lever Entry Trim



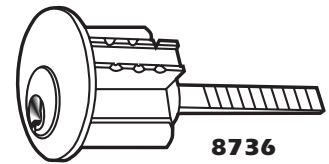
### Fixed Pulls (US32 only)



### Thumbturn

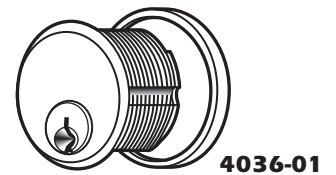


### Rim Cylinder



Standard five-pin unit with spindle to suit Surface Vertical Rod exit devices. All brass with same choices of keying as Mortise cylinder. Available in finishes 628, 313 or 335. Any other make standard Rim cylinder can be used to key in with existing systems. Note that if entry trim is specified for cylinder use, the cylinder must be Mortise type, regardless of exit device.

### Mortise Cylinder



Standard diameter five-pin unit with MS® cam, suitable for use with Entry Trim. All brass construction with front "scalp" available in finishes 628, 313 and 335. Available in quantity all keyed different (KD), in pairs (KA2) or fifty alike (KA50). Any other make standard Mortise cylinder with MS® cam can be used to "key in" with existing systems.