

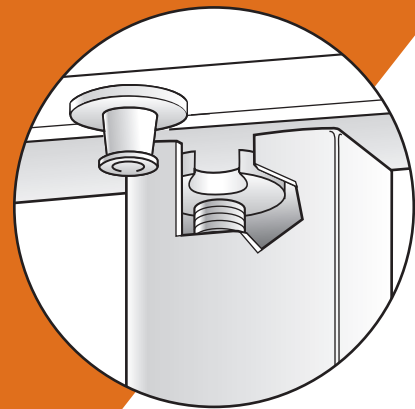
## BHMA TYPE 2

# Surface Vertical Rod Exit Device

For Wood & Hollow Steel Doors

**3100 Series**   
FIRE-RATED

**8100 Series**  
LIFE-SAFETY



Also available in a Top Rod Only version

## Features:

- ▼ Patented top latching mechanism interlocks door to frame
- ▼ Adjustable steel rods protected in contoured covers
- ▼ Pushbar clad or anodized, not plated, in a variety of finishes
- ▼ Easy to install
- ▼ Clean, unobtrusive design
- ▼ Strong, durable construction for a high level of security

### CERTIFICATIONS:

**8100 SERIES:**  
 Life-Safety Listing  
ANSI/BHMA A156.3 Grade 1  
California State Fire Marshall  
New York City MEA\*

\*Consult factory for specific number

**3100 SERIES:**   
 10C Fire Label, up to 3 hrs.  
California State Fire Marshall  
New York City MEA\*  
Warnock/Hersey Listing\*\*

\*\*See Chart on next page for ratings



**ADAMS RITE**  
MANUFACTURING CO.

260 Santa Fe Street  
Pomona, California 91767  
(800) 872-3267 Fax: (800) 232-7329  
www.adamsrite.com