



Features & Dimensions

Narrow Stile Rim Exit Device

ANSI/BHMA
Grade 1

Handing
Device is non-handed. Lever Entry Trim is field reversible.

Pushbar Length
Pushbar Length
Standard Sizes: Dimensioned for 30", 36", 42" & 48" openings. Standard width bars can be field cut to the next smallest opening width.

Door Thickness
Suits 1-3/4" standard, up to 2-1/4".

Stile Width
Minimum 2" Stile. Fits Narrow, Medium and Wide Stile aluminum doors.

Projection
2-5/8" when fully projected, 1-5/8" when dogged.

Materials
Pushbar made of extruded aluminum, clad or anodized in a variety of finishes.

Dogging
Standard dogging with hex key or optional cylinder dogging. Electric dogging also available.

Fasteners
Standard self-tapping screws.

Strike
Made of hardened steel. Standard and narrow version supplied with exit device.

Cylinders (order separately)
Cylinder x Fixed Pull: (Functions 03)
Accepts any standard Rim cylinder.
Entry Lever or Thumbturn: (Functions 08, 09, 11, 12)
Accepts any standard diameter Mortise cylinder with MS® cam. Accommodates cylinder lengths from 1" to 1-1/4".

Warranty
Two year limited.

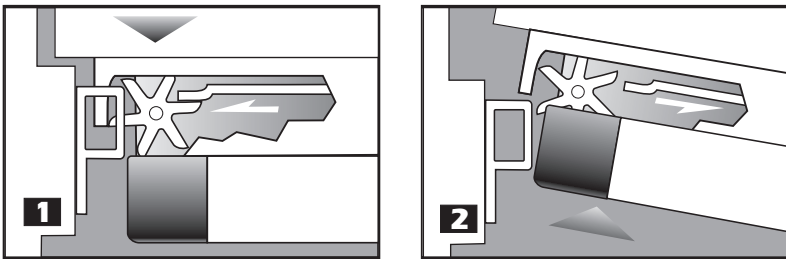
AVAILABLE FINISHES

- 313** Dark Bronze Anodized
- 335** Black Anodized
- 628** Clear Anodized
- US3** Bright Brass
- US4** Satin Brass
- US9** Bright Bronze
- US10** Satin Bronze
- 10B** Dark Bronze (Trim only)
- US32** Bright Stainless
- US32D** Satin Stainless

Consult factory for special finishes.

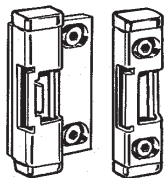


Starwheel Bolt

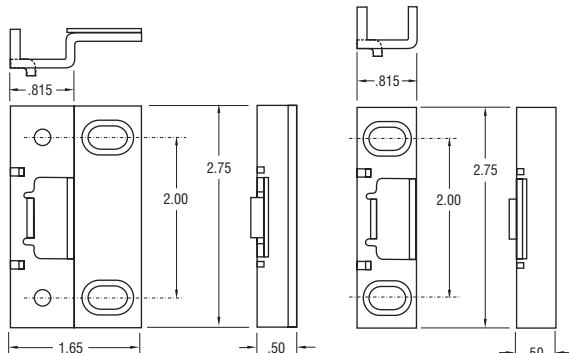


[1] When door closes, the interlocking noseguard and Starwheel bolt close around the strike. The deadlocking slide springs over, locking the Starwheel bolt to the strike. [2] When pushbar is depressed, the deadlocking slide moves back, allowing the door to unlock from the strike. This unique interlock provides solid security and prevents jamb spreading.

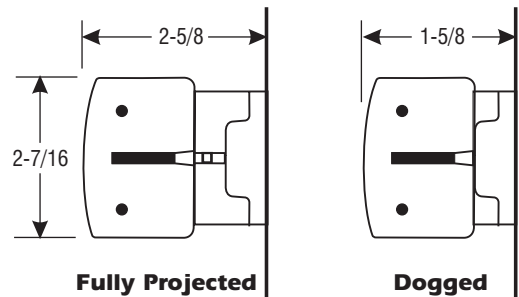
Strikes



Standard strike and narrow version for centering doors in 4" jamb.



Pushbar Dimensions



Removable Mullion - 3890

Allows the use of Rim exit devices on paired doors without narrowing the doors. Provides higher security and better traffic flow than paired doors with Vertical Rod exit devices. Available in anodized 313 and 628. Specify door height when ordering.

